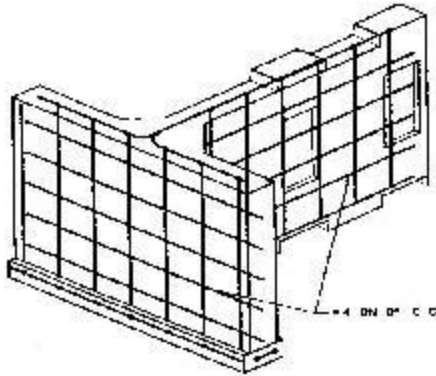


**T-LOCK
RETAINING WALL**

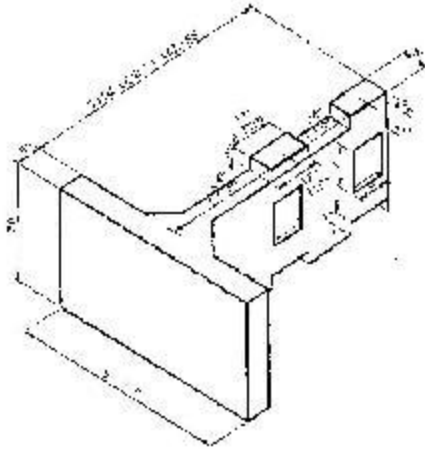
NOTE:



REBAR PLACEMENT

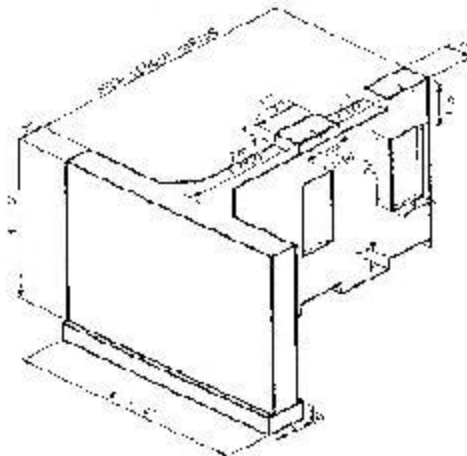
NOT TO SCALE

WALL UNIT WEIGHTS		
STEM LENGTH (FT)	SINGLE UNIT WEIGHT (LB)	DOUBLE UNIT WEIGHT (LB)
4	1600	3200
6	1850	3700
8	2100	4200
10	2350	4700
12	2600	5200
14	2900	5800
16	3150	6300
18	3400	6800
20	3650	7300



SINGLE UNIT

NOT TO SCALE



DOUBLE UNIT

NOT TO SCALE

REVISIONS:

DATE:

APPROVED FOR PRODUCTION:

FILE NAME:

DR:

DATE: 3/09

T-LOCK

CK:

JOB NO.: