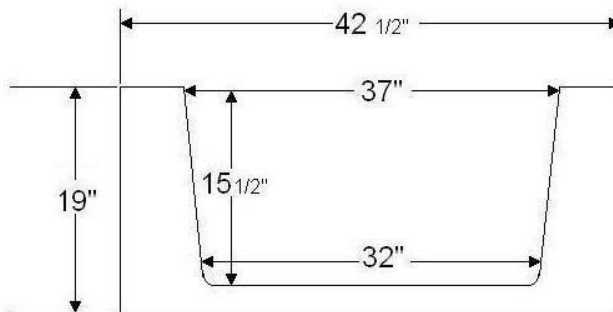


ISOMETRIC VIEW



END VIEW



FEED TROUGH