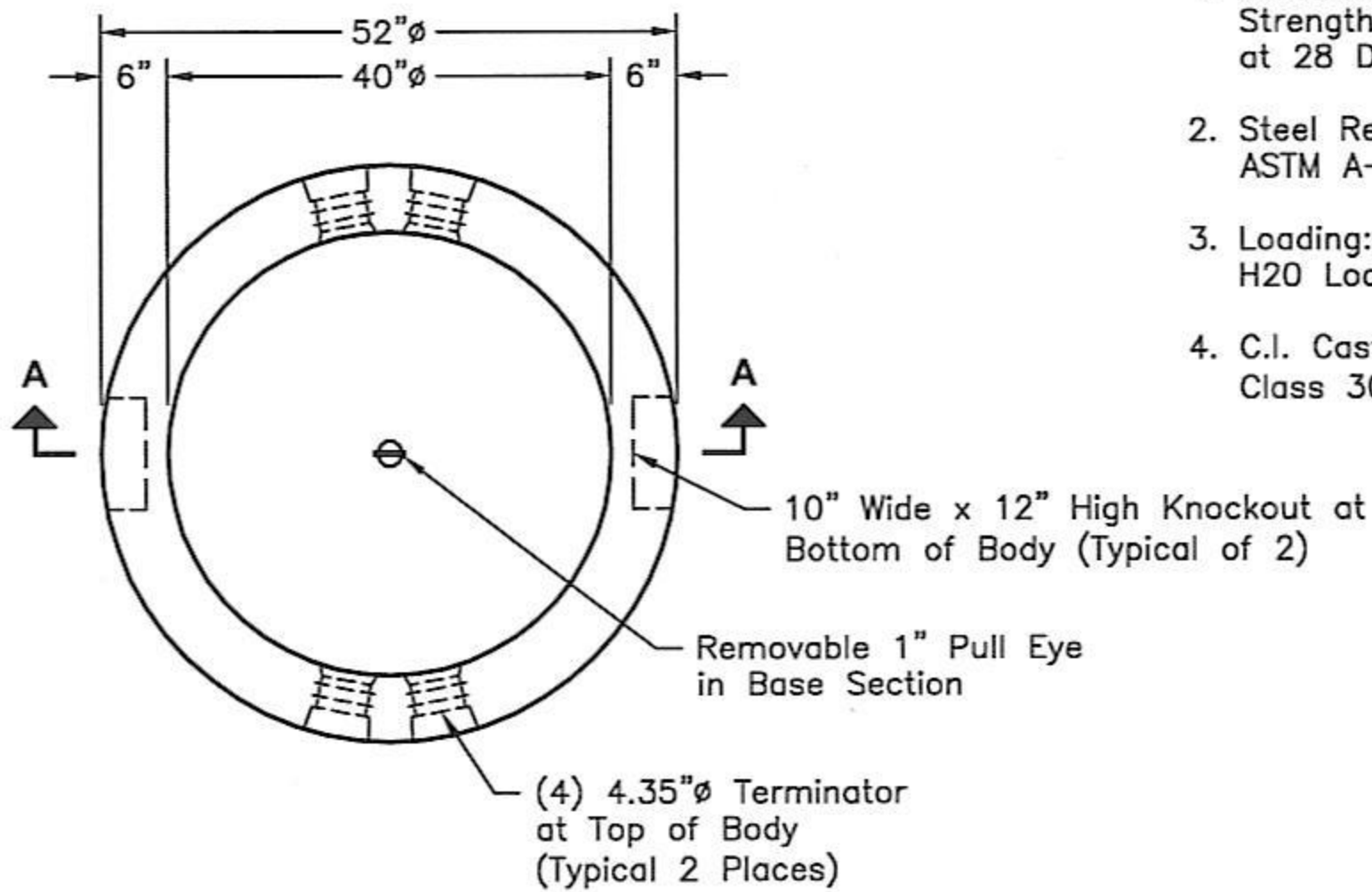
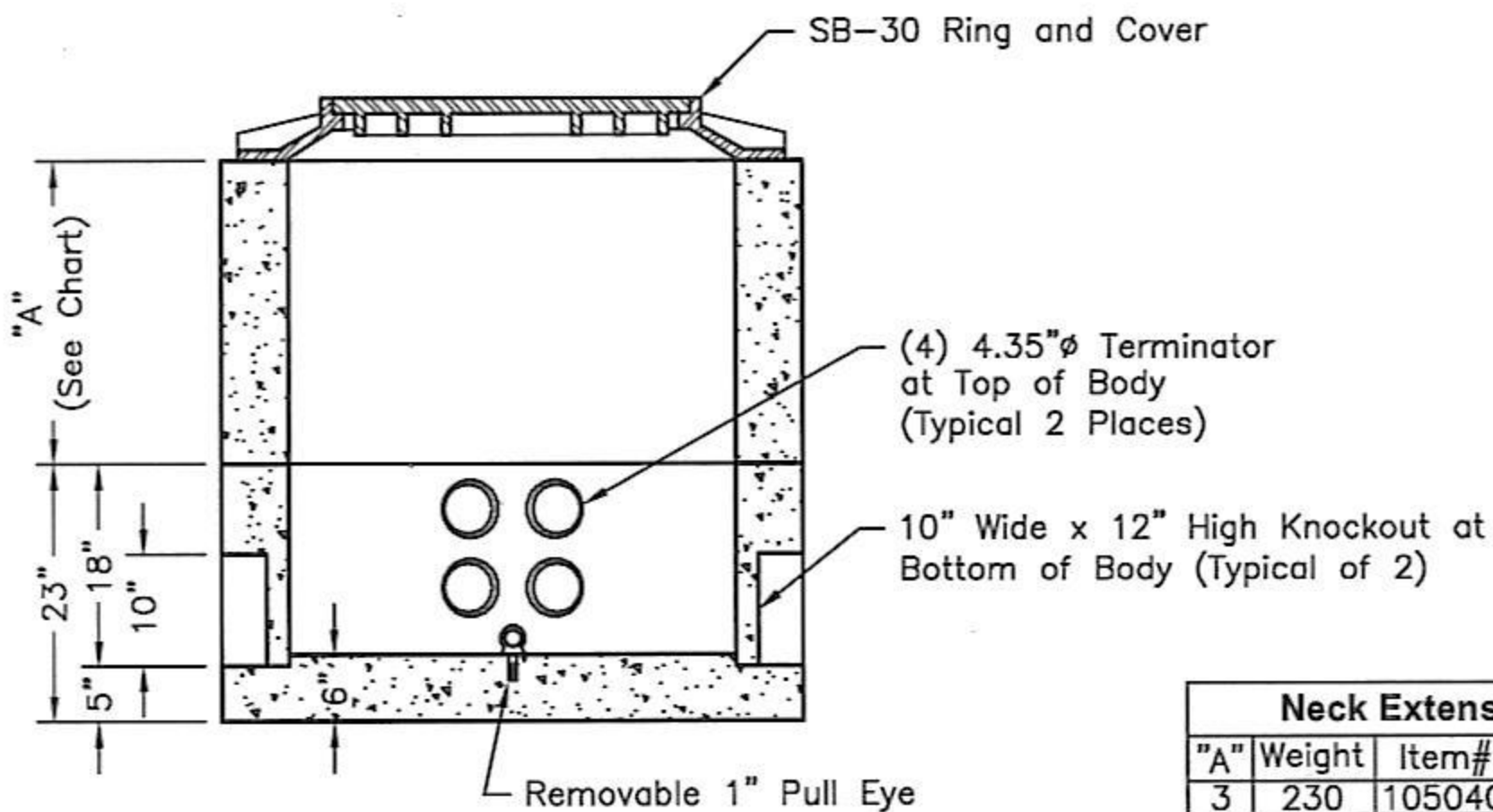


SPECIFICATIONS:

1. Concrete: Has a Design Strength of 5,000 psi at 28 Days.
2. Steel Reinforcement: ASTM A-615, Grade 60.
3. Loading: Designed for H2O Loading.
4. C.I. Castings: ASTM A48, Class 30/35.



PLAN VIEW



SECTION A-A

Neck Extension Data			
"A"	Weight	Item#	PID#
3	230	1050400	701109043
9	680	1050500	701109050
18	1350	1050600	701109068
27	2030	1050800	701109076
36	2710	1050900	701109084

SCALE: 1/2" = 1'-0"

PRECON Precast, LLC
Pre-Cast Concrete Products

40"Ø Fiber Optic Handhole