

PRECON PRECAST, LLC  
 6868 FM 730 SOUTH  
 AZLE, TX 76020

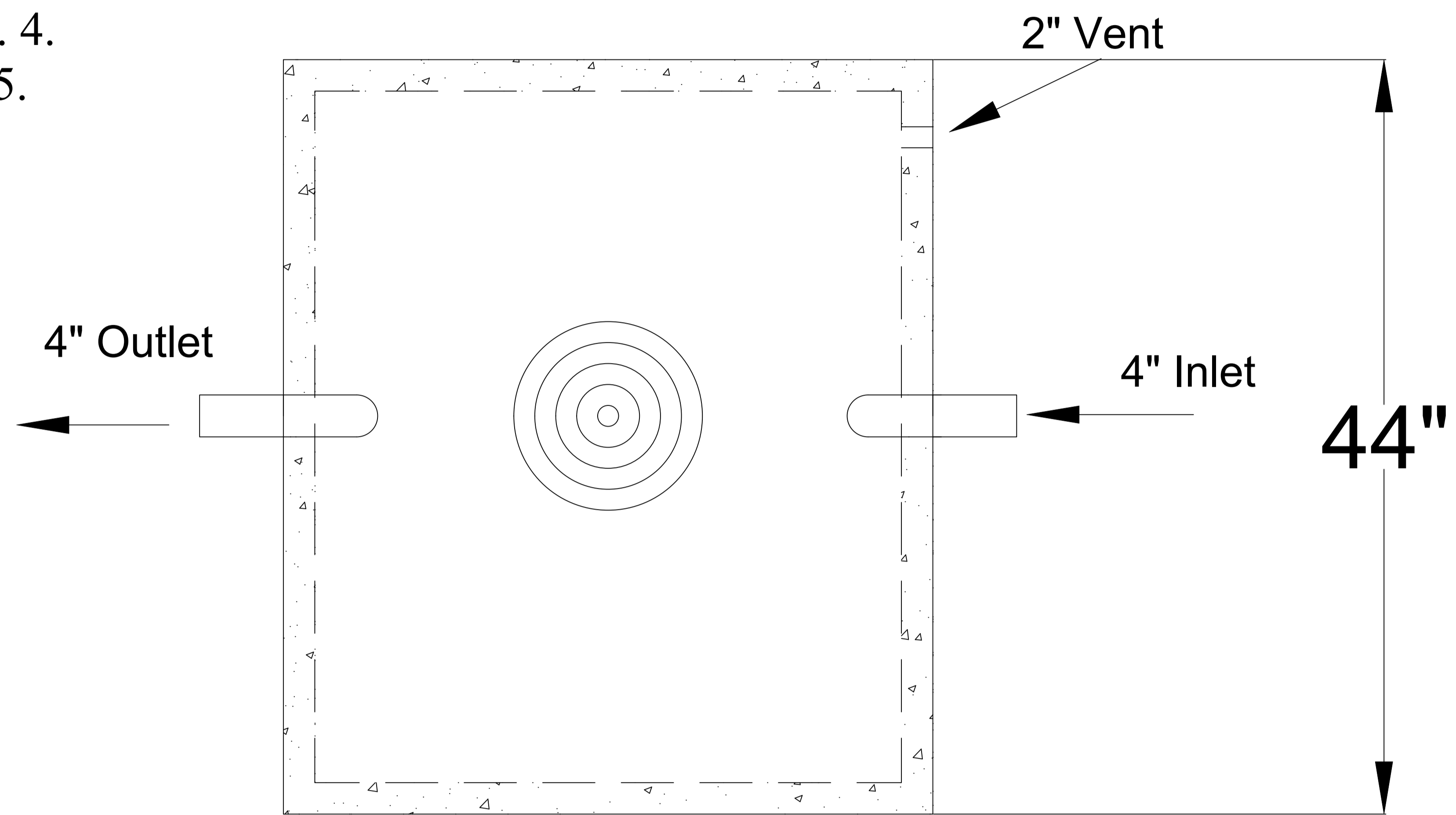
817-448-9718 OFFICE  
 817-448-9886 FAX  
 frank@preconprecast.com

1

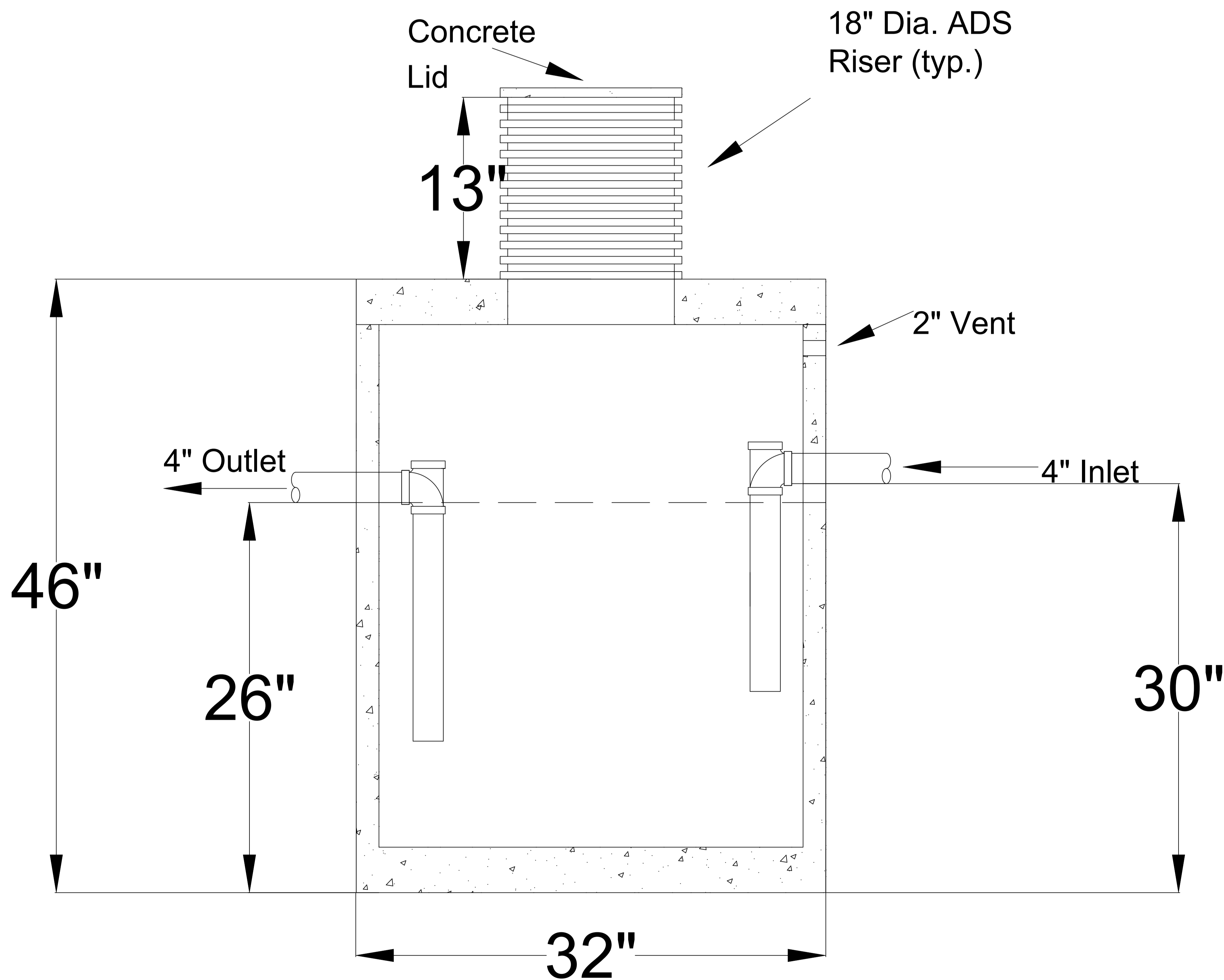
**3500 SERIES**  
**250 GALLON OIL/SAND SEPARATOR**

General Notes: 1. Unit comes with interior piping installed.  
 2. Inflow section of unit must be filled with clear water prior to use.

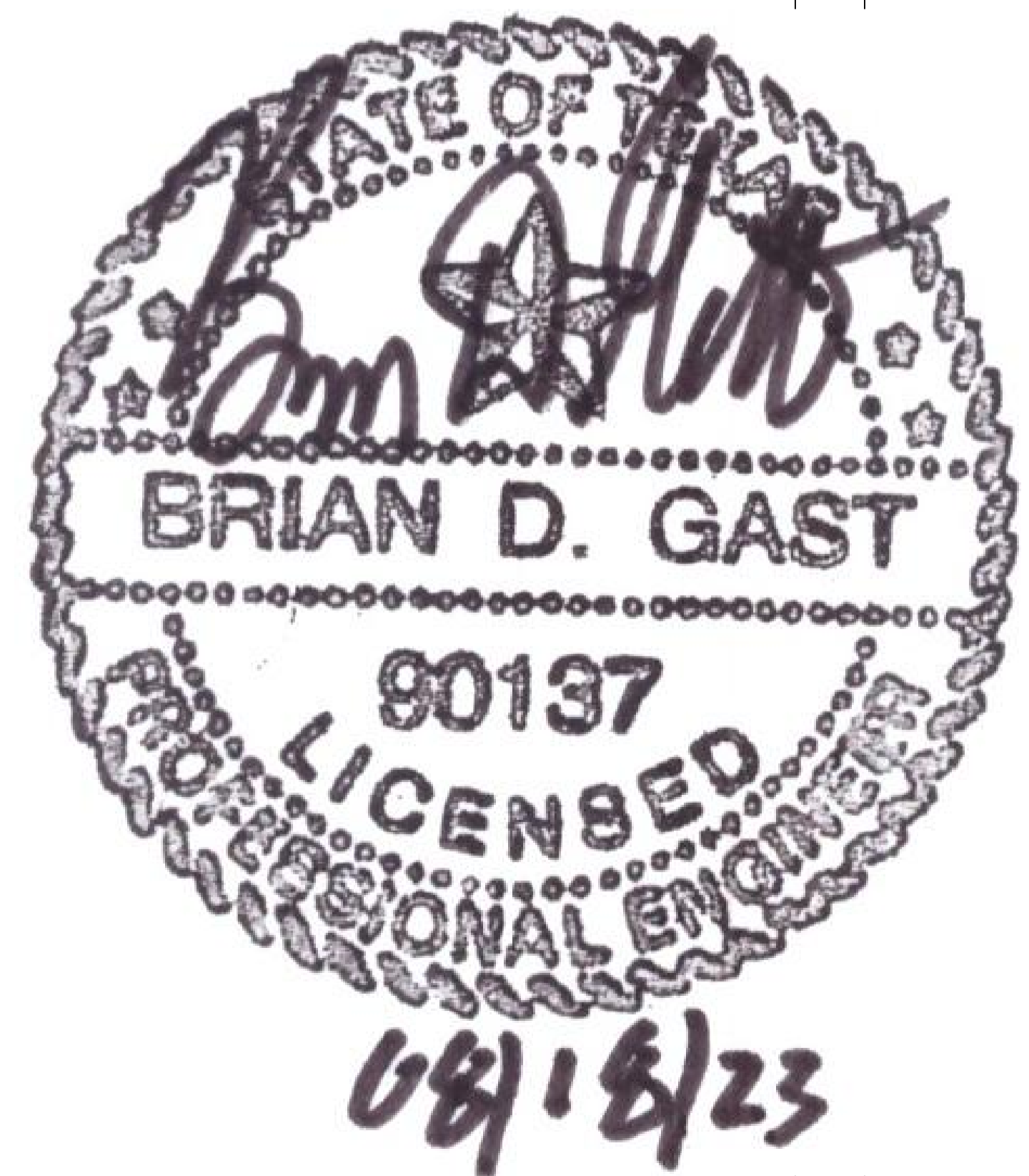
Specifications: 1. Concrete has design strength of 5,000psi @ 28 days. 2. Steel reinforcement: ASTM A-615, grade 60 ASTM A-497 welded wire fabric. 3. Designed for H2O loading. 4. CI Casting: ASTM A-48, class 30/35.



**TOP VIEW**



**SIDE VIEW**



250galos.dwg	APPROVED FOR PRODUCTION	AUTHORIZED BY
	DATE:	PRINT:
	JOB TITLE:	SIGN:
FILE NAME:		