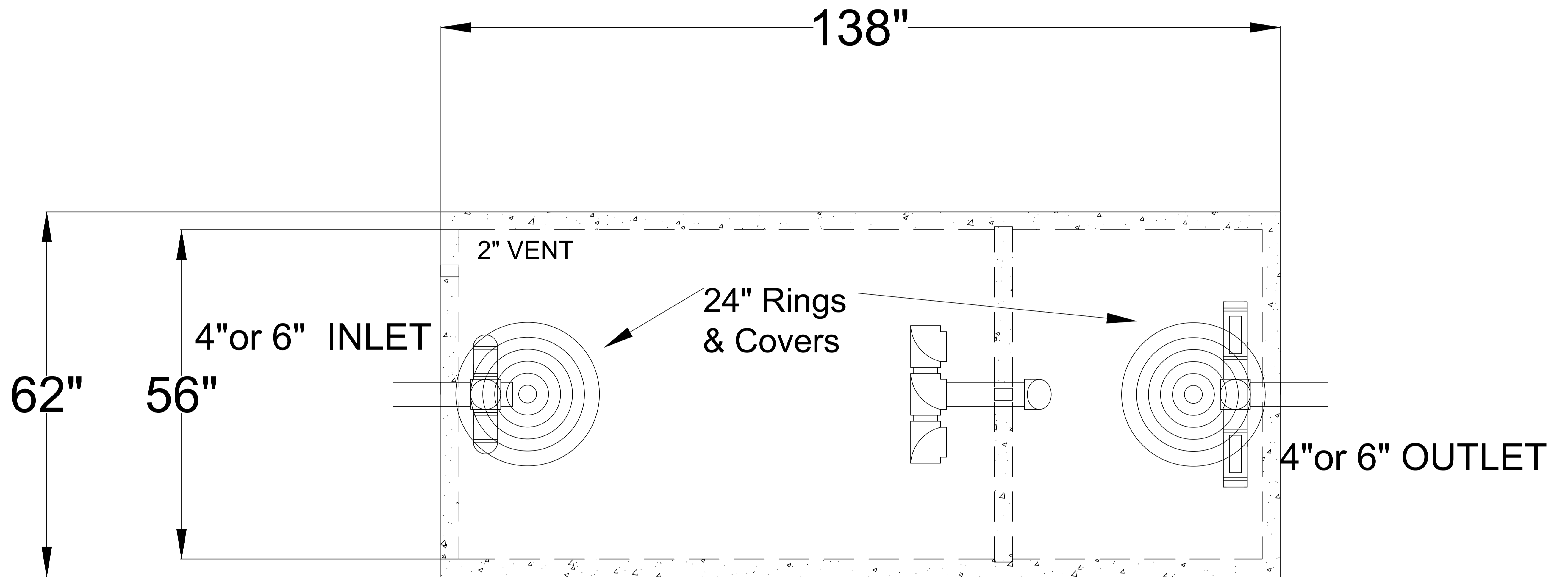


3500 SERIES
 2000 GALLON ARLINGTON GREASE TRAP
 SINGLE BAFFLE

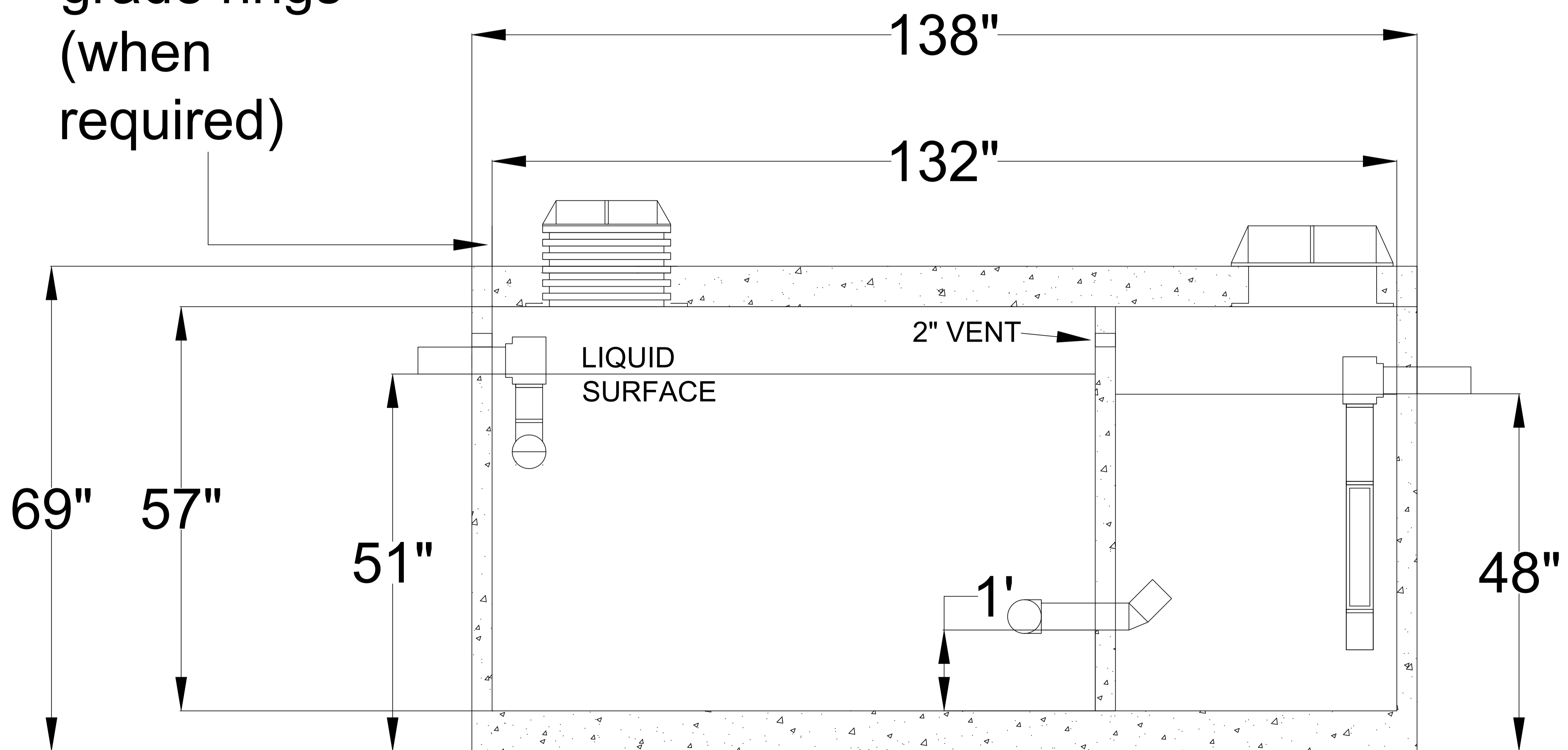
General Notes: 1. Unit comes with interior piping installed.
 2. Inflow section of unit must be filled with at least 14.5" of clear water prior to use.

Specifications: 1. Concrete has design strength of 5,000psi @ 28 days. 2. Steel reinforcement: ASTM A-615, grade 60 ASTM A-497 welded wire fabric. 3. Designed for H2O loading. 4. CI Casting: ASTM A-48, class 30/35.

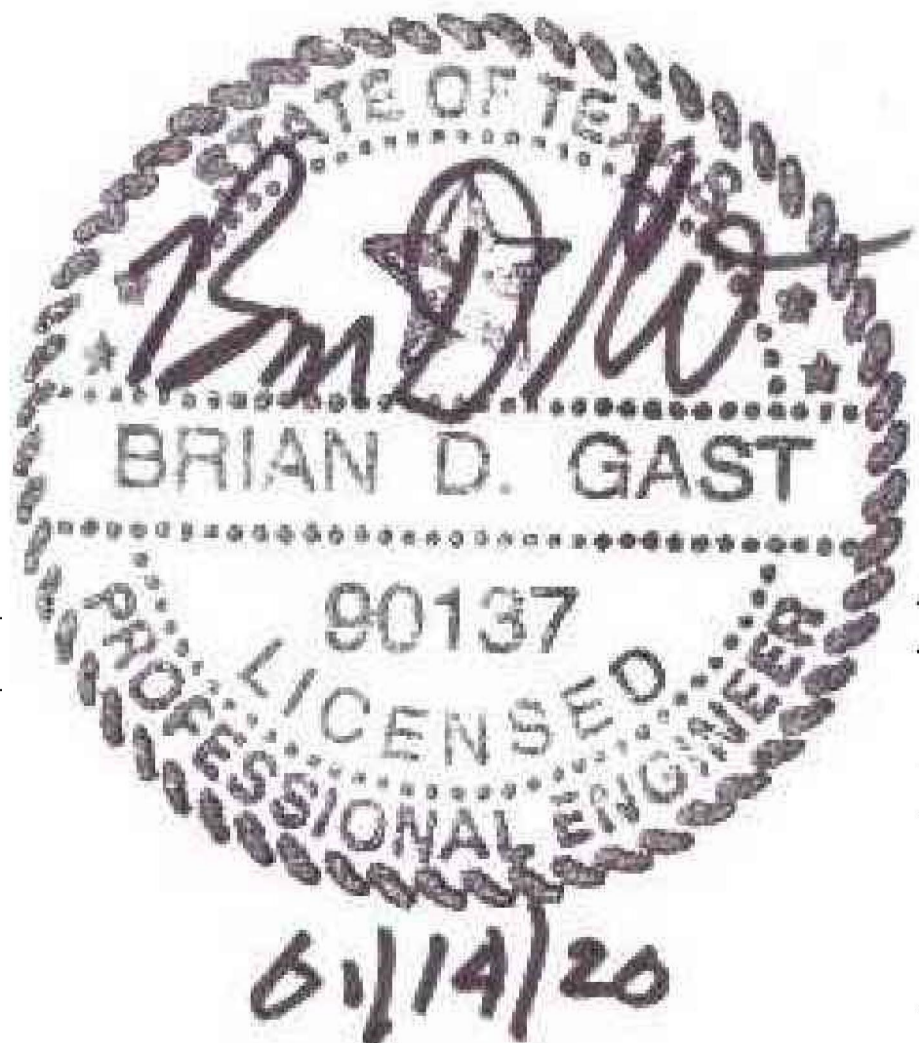


TOP VIEW

Concrete grade rings (when required)



SIDE VIEW



2000galgtsbARL.dwg

FILE NAME:

APPROVED FOR PRODUCTION

DATE:

JOB TITLE:

AUTHORIZED BY

PRINT:

SIGN: