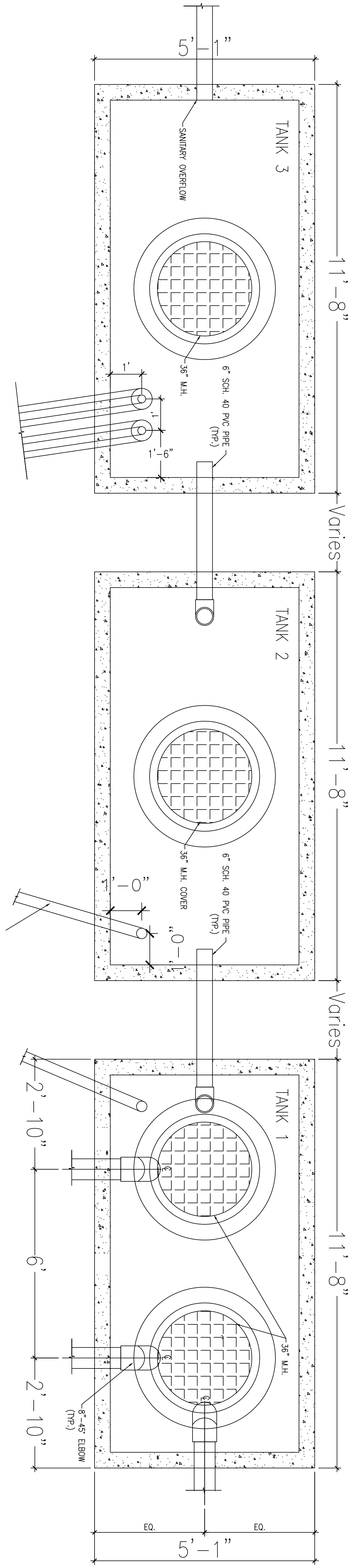
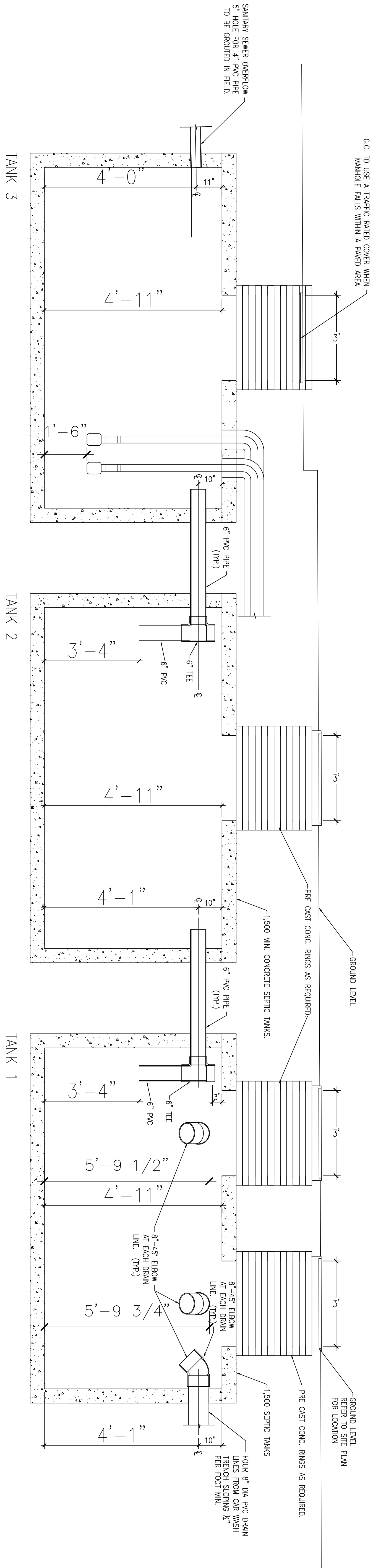


Reclaim Tanks

Specifications: 1. Concrete has design strength of 5,000psi @ 28 days. 2. Steel reinforcement: ASTM A-615, grade 60 ASTM A-497 welded wire fabric. 3. Designed for H2O loading. 4. CI Casting: ASTM A-48, class 30/35.



1 CAR WASH RECLAIM TANK PLAN
 scale 1/2" = 1'-0"



2 CAR WASH RECLAIM TANK SECTION
 scale 1/2" = 1'-0"

| | | |
|------------------|-------------------------|---------------|
| reclaimtanks.dwg | APPROVED FOR PRODUCTION | AUTHORIZED BY |
| | DATE: 4/23/14 | PRINT: |
| FILE NAME: | JOB TITLE: CARSPA | SIGN: |