

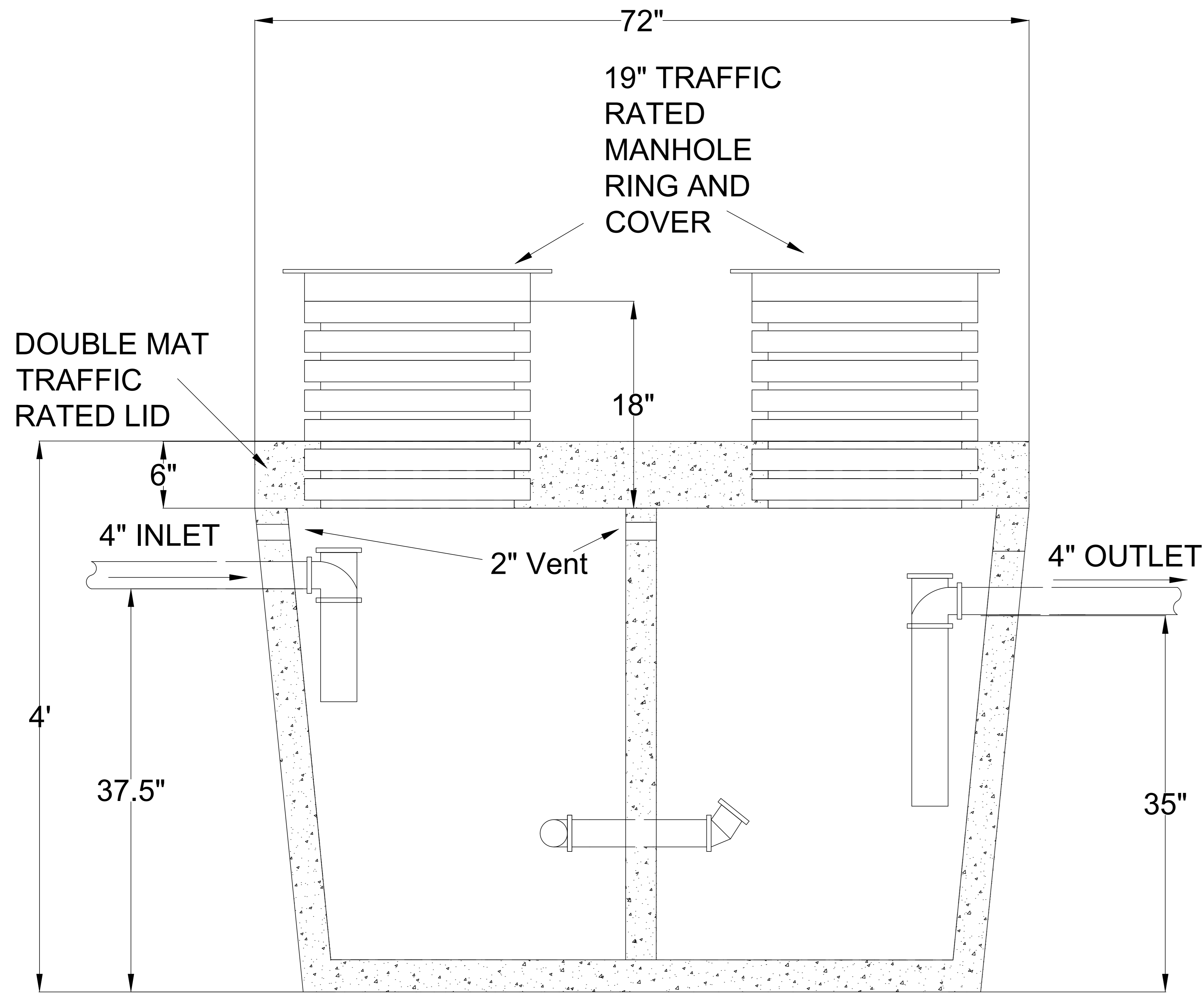
PRECON PRECAST, LLC
 6868 FM 730 SOUTH
 AZLE, TX 76020

817-448-9718 OFFICE
817-448-9886 FAX
 frank@preconprecast.com
 www.preconprecast.com

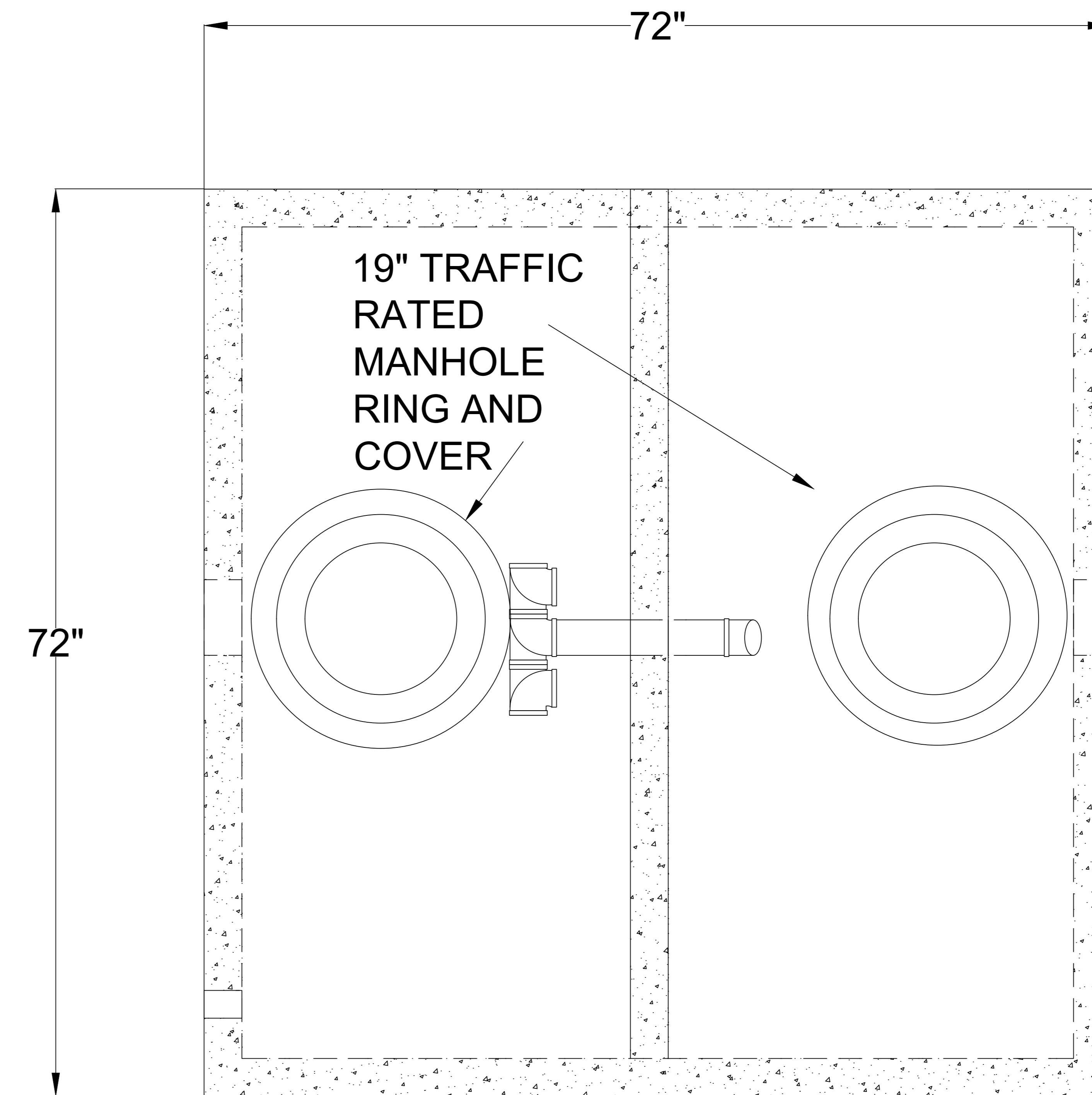
General Notes: 1. Unit comes with interior piping installed.
 2. Inflow section of unit must be filled with at least 14.5" of clear water prior to use.

Specifications: 1. Concrete has design strength of 5,000psi @ 28 days. 2. Steel reinforcement: ASTM A-615, grade 60 ASTM A-497 welded wire fabric. 3. Designed for H2O loading. 4. CI Casting: ASTM A-48, class 30/35.

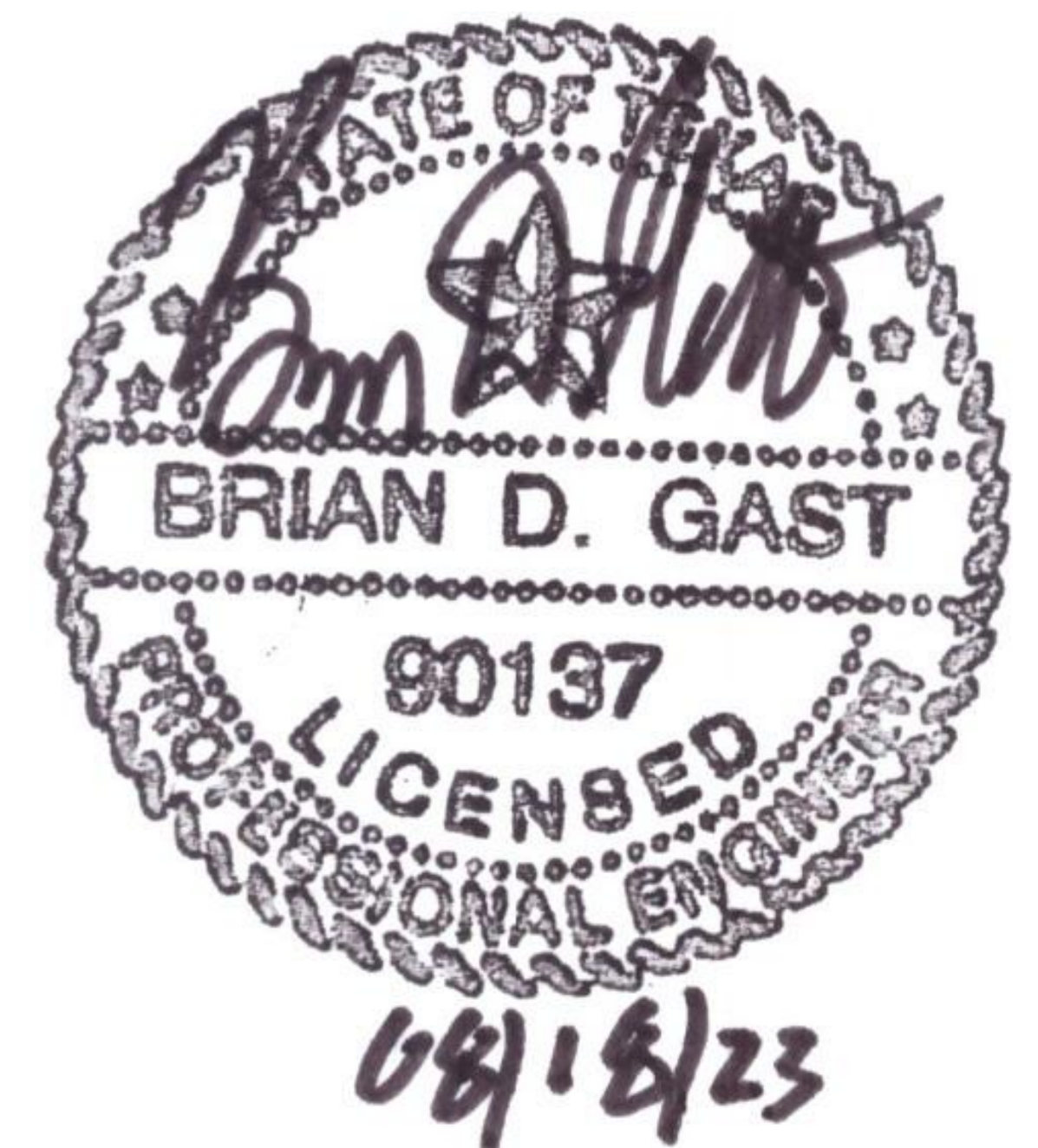
1



SIDE VIEW



TOP VIEW



500gallpgt.dwg FILE NAME:	APPROVED FOR PRODUCTION	AUTHORIZED BY	500 GALLON LOW PROFILE GREASE TRAP
	DATE:	PRINT:	
	JOB TITLE:	SIGN:	