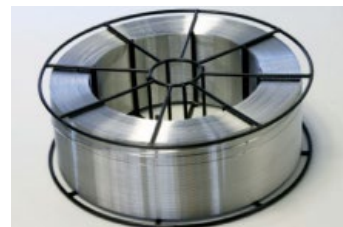
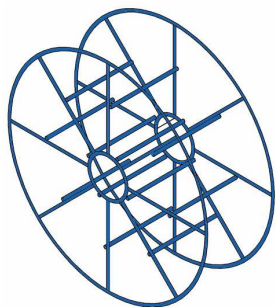
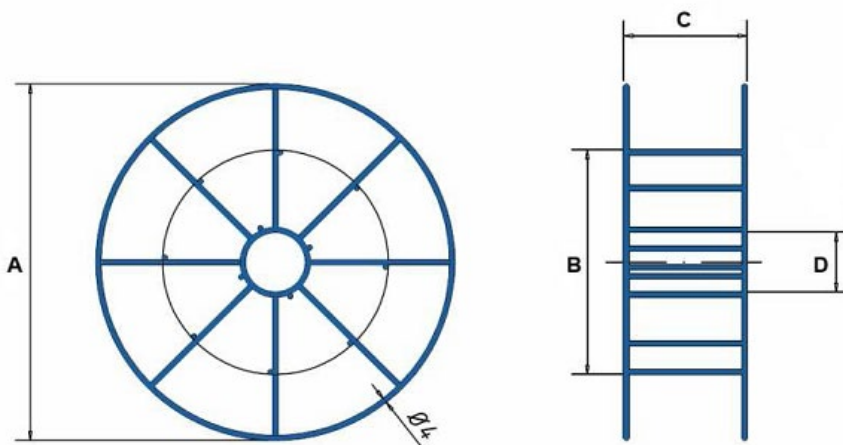


# CAC BS300 18 KG SPOOLS

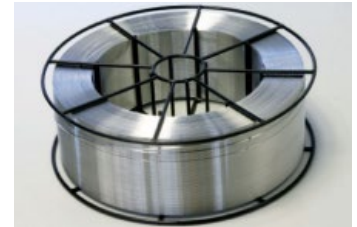
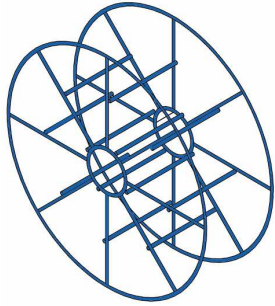


DIMENSION		MM	INCH
Outside Diameter	A	300	11.81"
Inside Diameter	B	189	7.44"
Outside Width	C	103	4.06"
Arbor Hole Diameter	D	52	2.05"

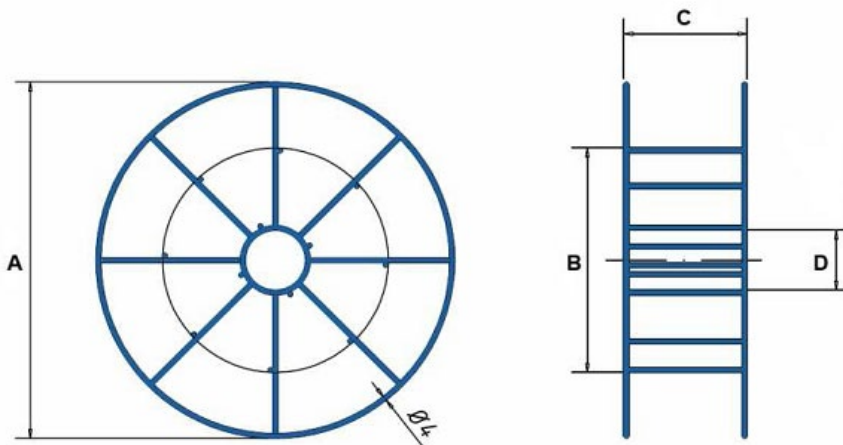


# CAC BS300 22 KG SPOOLS

*(ideal for Aluminum Weld Wire Products to maximize capacity)*

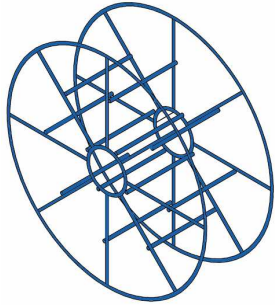


DIMENSION		MM	INCH
Outside Diameter	A	300	11.81"
Inside Diameter	B	175	6.89"
Outside Width	C	100	3.94"
Arbor Hole Diameter	D	52	2.05"

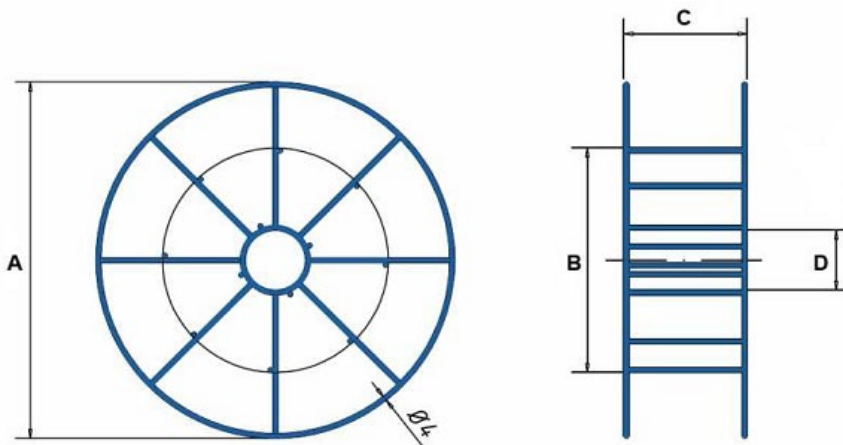


# CAC BS300 27 KG SPOOLS

*(a capacity beast for maximizing weight per spool)*



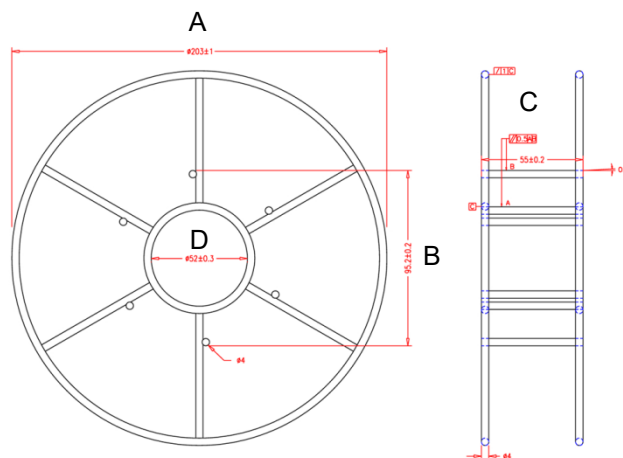
DIMENSION		MM	INCH
Outside Diameter	A	300	11.81"
Inside Diameter	B	155	6.10"
Outside Width	C	100	3.94"
Arbor Hole Diameter	D	52	2.05"



# CAC BS200 5 KG SPOOLS



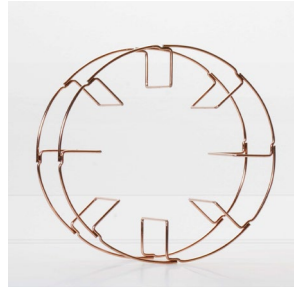
DIMENSION		MM	INCH
Outside Diameter	A	203	7.99"
Inside Diameter	B	95	3.75"
Outside Width	C	55	2.16"
Arbor Hole Diameter	D	52	2.04"



# CAC K SERIES SPOOLS

## K 300 / K 3000

External diameter	300 mm 11,81 inch	300 mm 11,81 inch
Internal diameter	180 mm 7,09 inch	180 mm 7,09 inch
Pin hole diameter		50 mm 1,96 inch
External width	100 mm 3,94 inch	100 mm 3,94 inch
Spool weight	16 - 20 kg 35 - 44 lbs	16 - 20 kg 35-44 lbs



## K 400/200

External diameter	400 mm 15,75 inch
Internal diameter	180 mm 7,09 inch
External width	200 mm 7,87 inch
Spool weight	20 - 30 kg 44 - 66 lbs



## K 415

External diameter	415 mm 16,34 inch
Internal diameter	300 mm 11,81 inch
External width	100 mm 3,94 inch
Spool weight	16 - 20 kg 35 - 44 lbs



## K 435/70/100

External diameter	435 mm 17,13 inch
Internal diameter	300 mm 11,81 inch
External width	70 - 100 mm 2,76 - 3,94 inch
Spool weight	20 - 30 kg 44 - 66 lbs

