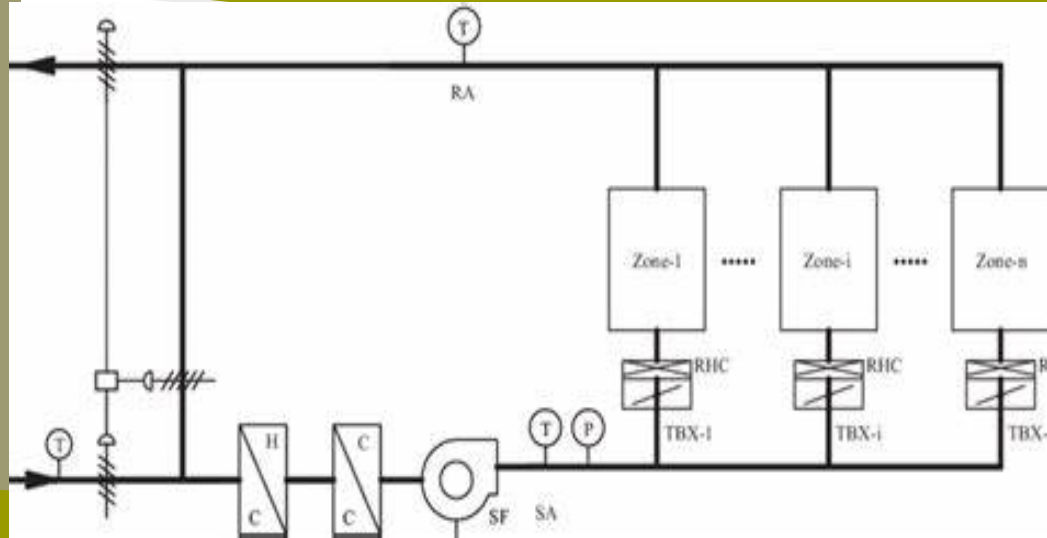


# Tri-County SUPER HEAT ASHRAE

American Society of Heating, Refrigerating and Air-Conditioning Engineers

## IN THIS ISSUE...

Upcoming Meeting	1
Last Months Meeting	2
Last Months Meeting	3
Cal Poly Pomona Student	4
Branch Meeting	
Marketing Opportunity	5
Business Card Ads	6
Officers, Board Members, and Committee Chairs	7



## MEETING INFORMATION

**Date:** October 15, 2024  
**Location:** Diamond Palace  
 1241 Grand Avenue  
 Diamond Bar, CA 91765  
 (909) 860-2625  
**Time:** 6:30 PM  
**Member Cost:** \$50.00  
**Non-Member Cost:** \$60.00

Hope to see many of you at our October 15 Membership Promotion Dinner meeting! The meeting will be at the Diamond Palace in Diamond Bar.

## UPCOMING MEETING

### Main Program: VARIABLE AIR VOLUME AND CONSTANT AIR FLOW TERMINALS AND DIFFUSERS.

**Speaker:** Thomas Podgurski

Tom will provide an overview of the application and design of:  
 \* A variable air volume diffuser and the benefits of a low-turndown VAV system. \* New control for Smart diffusers.  
 \* ASHRAE 62.1 in make-up outside air control systems \* Low and high rise office buildings \* ASHRAE 90.1 recommendations in VAV application.

Tom is currently the Technical Director for Royal Service Air Conditioning. Tom has a well-rounded 30 years of experience in many aspects of HVAC and refrigeration and manufacturing, airside low and standard temperatures, airside volume control, humidity control, dehumidification control, and clean air control. Also experienced with Waterside/Airside high and low-pressure systems, hot and cold, and low temperatures with variable and constant flow DDC.

# GREAT TIME AT LAST MONTHS MEETING

*A great time was had by all at our September Kickoff Dinner Meeting!*

Tri County President Kevin Le (ACCO Engineered Systems) on left and Larry R. Iverson (D.B. Sales) who gave us an informative presentation on the fundamentals of boilers



Larry Iverson with Steve Johnson (Design West Engineering-Director of Mechanical)



(Left to right) Raffle winners: Kendal Smith (Dawson Company), Riverside City College (RCC) student, RCC Instructor

# GREAT TIME AT LAST MONTHS MEETING

(Left to right) Jim Toda, Kevin Le, and Jacob Escobar talking with Larry Iverson



James Mansfield (Left) with Tri County Treasurer Cole Lemieux



Tri County President-Elect Gabriel Sahagun (Left) with Jacob Escobar

## Cal Poly Pomona ASHRAE Student Branch

Jim Toda (Student Branch Advisor)

On September 10, the Cal Poly Pomona ASHRAE Student Branch had their first meeting this year. See the below picture.

The Student Branch has excellent leadership provided by Student Branch President Roy Kachouri (second from front left), Vice President Champ Kitisri (front left), and Secretary Kayatana R. Glynn (second from front right).

Tri County members will be able to meet some Student Branch members at our annual Student Night. Our Student Night meeting this year will be on April 15, 2024.



# MARKETING OPPORTUNITY

PLEASE SUPPORT OUR BUSINESS CARD/PAGE AD ADVERTISERS LOCATED HERE AND ELSEWHERE IN THIS PUBLICATION...

**MAKE AN INVESTMENT IN OUR INDUSTRY'S FUTURE!**

If you would like to place a business card/page ad in Super Heat for the 2024-2025 Tri-County ASHRAE season, please contact us via e-mail at [ashraetricounty@gmail.com](mailto:ashraetricounty@gmail.com)

**Looking for a unique marketing opportunity?**

**We've got a deal for you!**

**For only \$50 (that's right, only \$50!) you and many more can see your business card appear on THIS MONTHLY PUBLICATION for the 2024-2025 Tri-County ASHRAE season!**

**And for only \$300 you can advertise your business with a FULL page ad ! (\$150 half page Ad)**

**Now that you're interested, send a \*.jpg version of your business card and/or page ad to: [ashraetricounty@gmail.com](mailto:ashraetricounty@gmail.com) and we will send you a link to pay for the corresponding fees.**

TCSH Editor

# BUSINESS CARDS



**CDI**  
CUSTOM CURB ADAPTERS

**Manny Perez**  
regional sales rep

562 301-4589 cell  
mperez@cdicurbs.com




**Maliha Williamson**  
Senior Sales Engineer  
951.768.9885

4000 Hamner Avenue  
Eastvale, CA 91752  
USA

maliha.williamson@heatcraftrpd.com  
heatcraftrpd.com



**CUSTOM COOLING COMPANY, INC.**

**JIM TODA**  
Sales Engineer

425 W. BONITA AVENUE #106 • SAN DIMAS, CA 91773  
Phone (909) 599-9222 FAX (909) 599-4418

E-MAIL: [info@cccrops.com](mailto:info@cccrops.com)  
WEB SITE: [www.cccrops.com](http://www.cccrops.com)

**MFGS. REPRESENTED**

AMERICAN COOLAIR/ILG..... AXIAL & CENTRIFUGAL FANS  
CHICAGO BLOWER..... APPLIED CENTRIFUGAL & AXIAL FANS  
TEXEL..... CORROSION RESISTANT FRP FANS  
COLMAC COIL MFG..... COILS & DRY COOLERS  
MAGIC-AIRE..... FAN COIL UNITS  
ENERTECH..... WATER SOURCE HEAT PUMPS  
THERMAL CORP..... CUSTOM AIR HANDLERS & FAN COILS  
KLEAN AIRE..... FILTER HOUSINGS & FILTERED SUPPLY FANS

**ADDITIONAL PRODUCTS**

*Sound Traps - Gravity Vents - Louvers - Dampers*

**Advertise Now!**

# 2024-2025 PARTIAL ROSTER



## Officers

<b>President</b>	<b>Kevin Le</b> ACCO Engineered Systems - 626-586-2481
<b>President-Elect</b>	<b>Gabriel Sahagun</b> Design West Engineering - 909-890-3700
<b>Secretary</b>	<b>Elvie A. Arizabal</b> ICI Engineers - 909-289-4418
<b>Treasurer</b>	<b>Cole Lemiux</b> R.F. MacDonald - 714-257-0900

## Board of Governors

<b>Kendal Smith</b> Dawson Co. — 626-429-9312
<b>Walter Escamilla</b> Goss Engineering, Inc. — 951-340-1977
<b>Manny Perez</b> CDI Curbs — 562-301-4589

## Committee Chairs

<b>Co-Student Branch Advisor</b>	<b>Narinder Kumar</b> JMD Equipment Sales - 562-556-1703
<b>Chapter Technology Transfer</b>	<b>Kevin Le</b> ACCO Engineered Systems - 626-586-2481
<b>Student Activities</b>	<b>Walter Escamilla</b> Goss Engineering, Inc. — 951-340-1977
<b>Research Promotion</b>	<b>Kendal Smith</b> Dawson Co. — 626-429-9312
<b>Membership Promotion</b>	<b>Manny Perez</b> CDI Curbs — 562-301-4589
<b>Young Engineers in ASHRAE (YEA)</b>	<b>Rene Hinojosa</b> Sigler — (909) 317-8925
<b>Newsletter Editor</b>	<b>Jim Toda</b>
<b>Webmaster</b>	<b>Michelle Toda</b> Custom Cooling Company — 909-599-9222

# Tri-County SUPER HEAT

CELEBRATING  
YEARS

**36** 1989-2024

**TRI-COUNTY ASHRAE!**

## P A S T P R E S I D E N T S

1988-1989	SUKHDEV MATHAUDHU	2014-2015	RYAN RODRIGUEZ
1989-1990	SUKHDEV MATHAUDHU	2015-2016	SHAW GENTRY
1990-1991	JEFF LEONARD	2016-2017	CHRIS ROBLES
1991-1992	DEL THOMAS	2017-2018	IAN VILLAZANA
1992-1993	TONY PIERCE	2018-2019	KAKERU FUJIKAWA
1993-1994	GREG MORIN	2019-2020	FELIX MONTERROSO
1994-1995	TONY HENKEL	2020-2021	MICHAEL FRANZEN
1995-1996	JOHN HAVILAND	2021-2022	MANNY PEREZ
1996-1997	JOEL CARTER	2022-2023	WALTER ESCAMILLA
1997-1998	CHANDRA CHINDE	2023-2024	KENDAL SMITH
1998-1999	JIM TODA		
1999-2000	RICHARD MCLEOD		
2000-2001	KERRY PARKER		
2001-2002	DEBRA CHAVIRA-SMITH		
2002-2003	LUCAS HYMAN		
2003-2004	JOE SANDERS		
2004-2005	BOB GASTEL		
2005-2006	ART ANDRES		
2006-2007	JIM PARKER		
2007-2008	KYLE LANDIS		
2008-2009	RICK CREED		
2009-2010	ROBERT MORSE		
2010-2011	TIM HALD		
2011-2012	JAI ME LOPEZ		
2012-2013	ERICK DELGADO		
2013-2014	NICOLAS ROSNER		

— journal of the tri-county chapter of the —

## American Society of Heating, Refrigerating, and Air Conditioning Engineers

ASHRAE, founded in 1894, is an international organization of more than 50,000 persons. Its sole objective is to advance through research, standards writing, publishing and continuing education the arts and sciences of heating, ventilation, air conditioning and refrigeration to serve the evolving needs of the public.