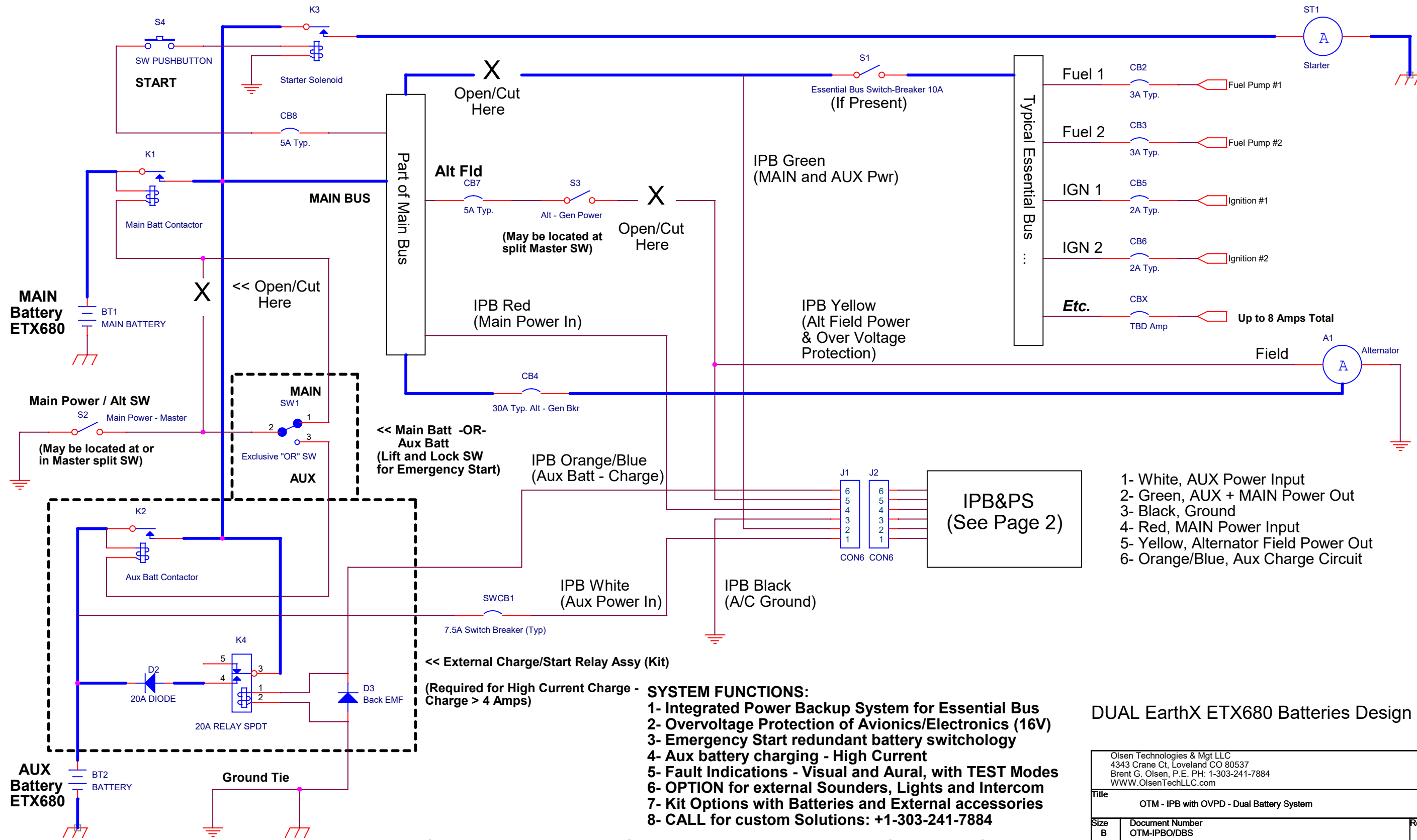


Typical IPB&PS Installation - Dual EarthX Starting Battery:



- 1- White, AUX Power Input
- 2- Green, AUX + MAIN Power Out
- 3- Black, Ground
- 4- Red, MAIN Power Input
- 5- Yellow, Alternator Field Power Out
- 6- Orange/Blue, Aux Charge Circuit

- SYSTEM FUNCTIONS:**
- 1- Integrated Power Backup System for Essential Bus
 - 2- Overvoltage Protection of Avionics/Electronics (16V)
 - 3- Emergency Start redundant battery switchology
 - 4- Aux battery charging - High Current
 - 5- Fault Indications - Visual and Aural, with TEST Modes
 - 6- OPTION for external Sounders, Lights and Intercom
 - 7- Kit Options with Batteries and External accessories
 - 8- CALL for custom Solutions: +1-303-241-7884

Notice: Olsen Technologies Products and Specs are subject to change without notice. Copyright 2018 OTM.

DUAL EarthX ETX680 Batteries Design

Olsen Technologies & Mgt LLC 4343 Crane Ct, Loveland CO 80537 Brent G. Olsen, P.E. PH: 1-303-241-7884 WWW.OlsenTechLLC.com		
Title OTM - IPB with OVPD - Dual Battery System		
Size B	Document Number OTM-IPBO/DBS	Rev D
Date Wednesday, December 26, 2018	Sheet 1	of 2