



ESSENTIAL ACRYLIC ROOF MAINTENANCE COATING SYSTEM DETAILS

DRAWING INDEX:

- CP-01 - COVER PAGE & DRAWING INDEX SHEET
- AS-01 - BUR MINERALIZED BITUMEN
- AS-02 - BRAI TORCHDOWN
- AS-03 - TPO
- AS-04 - METAL- CORRUGATED, STANDING SEAM, R-PANEL
- AS-05 - EPDM
- AS-06 - FOAM
- AS-07 - CONCRETE
- AS-08 - RE-COAT OVER ACRYLIC COATED SURFACE

ACRYLIC
COATING
SYSTEM

SEAL:

REV:

JOB NUMBER:

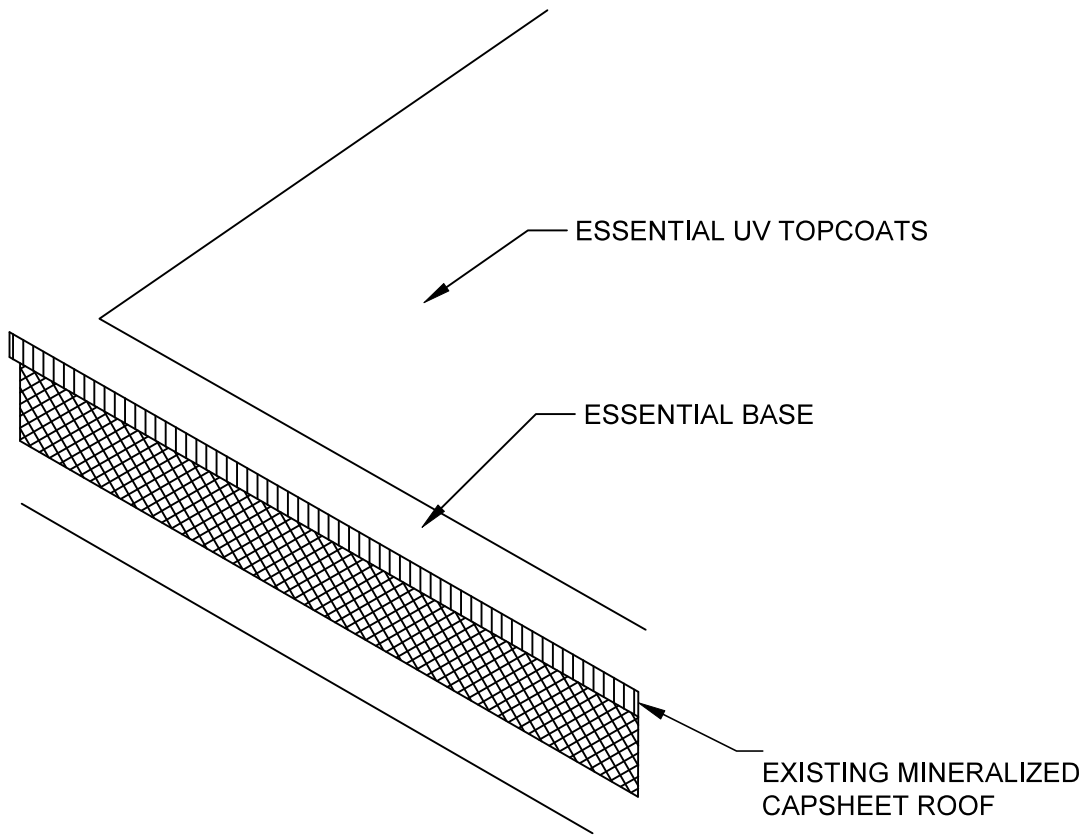
SCALE:

DATE:
09-25-19

DRAWN BY:

CHECKED BY:

SHEET:
CP-01



ACRYLIC
COATING
SYSTEM

SEAL:

REV:

JOB NUMBER:

SCALE:

DATE: 09-25-19

DRAWN BY:

CHECKED BY:

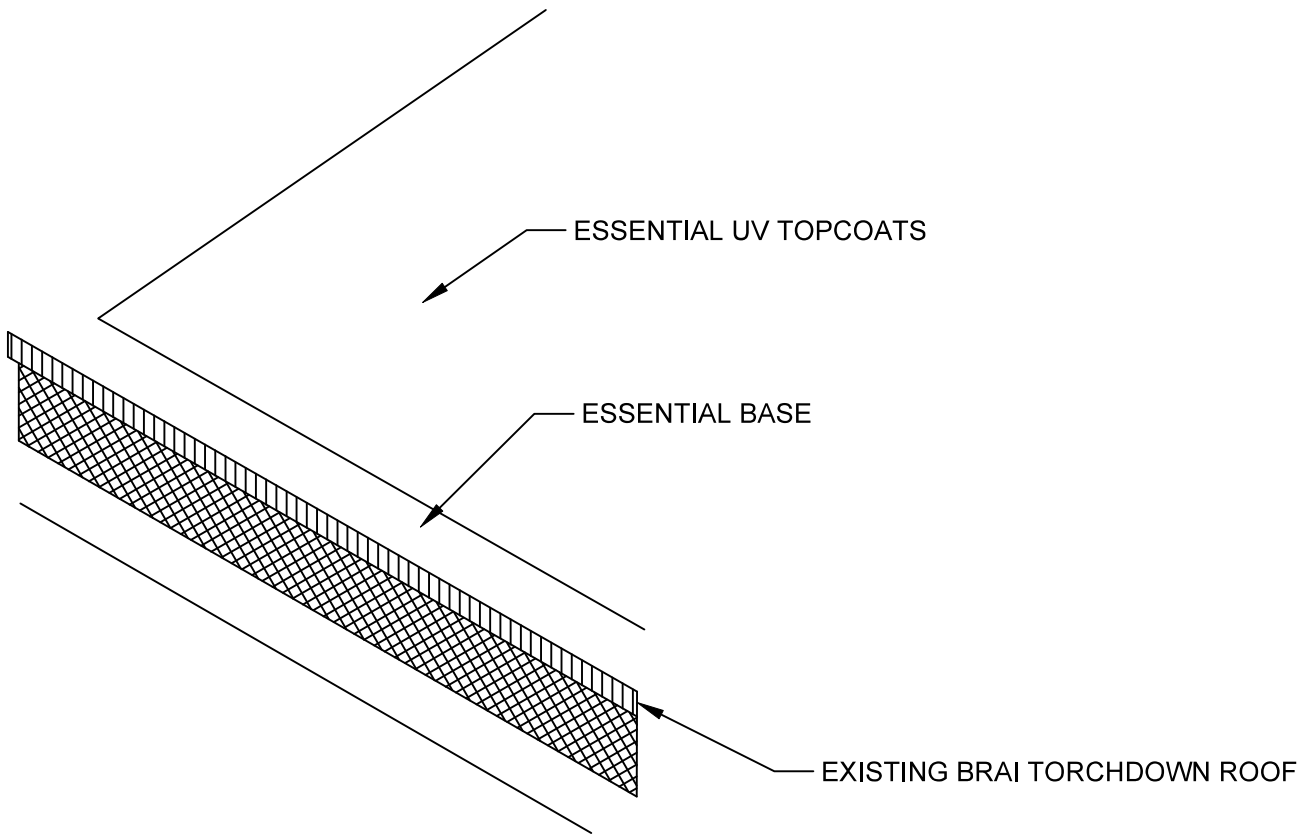
SHEET:

AS-01

**BUR MINERALIZED BITUMEN
ESSENTIAL ACRYLIC
MAINTENANCE
COATING SYSTEM**

NOTES:

1. VISIT WWW.APPLIEDCOATINGSINC.COM FOR SPECIFIC MANUFACTURER'S APPLICATION SPECIFICATIONS



ACRYLIC
COATING
SYSTEM

SEAL:

REV:

JOB NUMBER:

SCALE:

DATE: 09-25-19

DRAWN BY:

CHECKED BY:

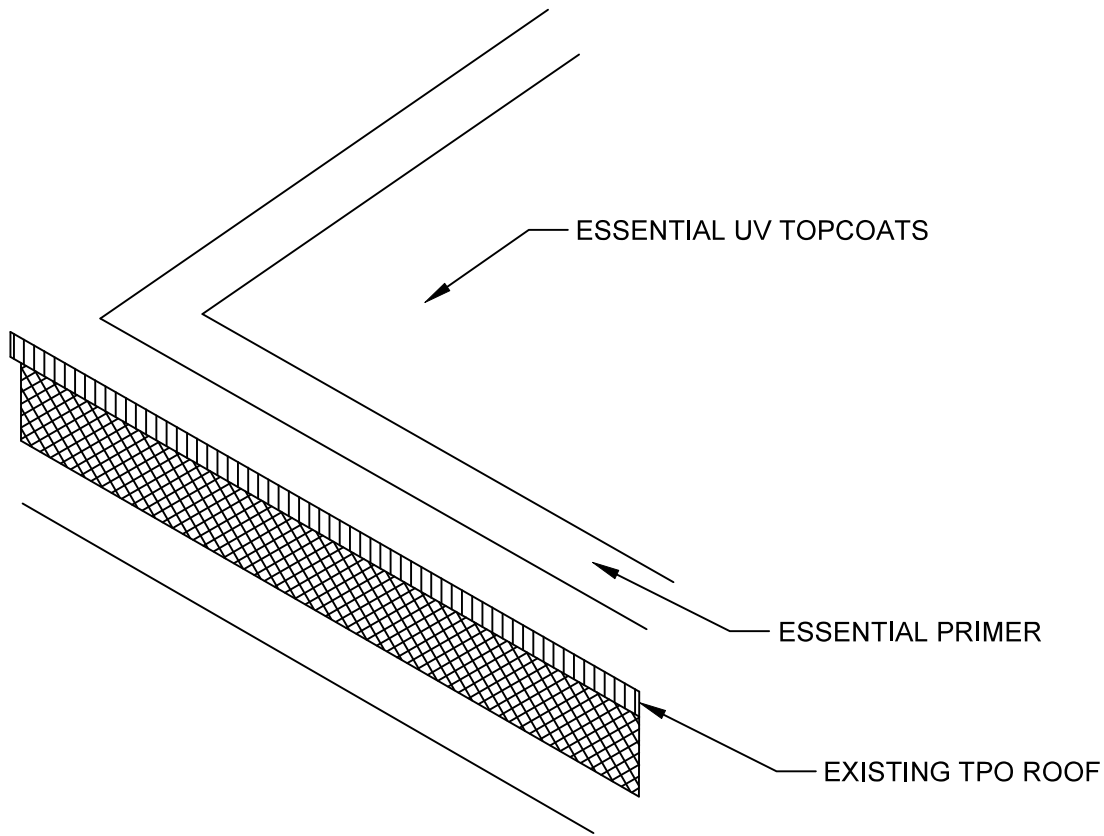
SHEET:

AS-02

**BRAI TORCHDOWN
ESSENTIAL ACRYLIC
MAINTENANCE
COATING SYSTEM**

NOTES:

1. VISIT WWW.APPLIEDCOATINGSINC.COM FOR SPECIFIC MANUFACTURER'S APPLICATION SPECIFICATIONS



ACRYLIC
COATING
SYSTEM

SEAL:

REV:

JOB NUMBER:

SCALE:

DATE: 09-25-19

DRAWN BY:

CHECKED BY:

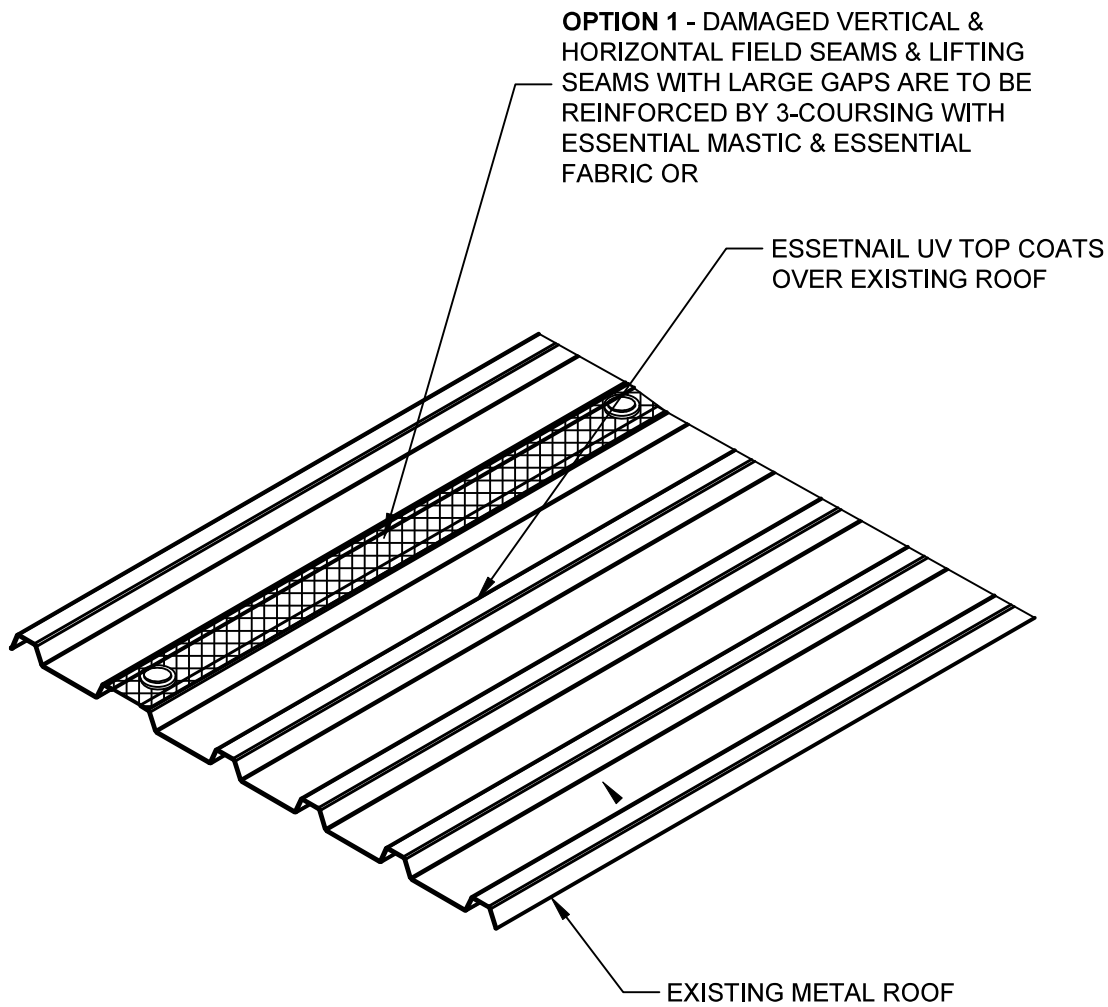
SHEET:

AS-03

TPO
ESSENTIAL ACRYLIC
MAINTENANCE
COATING SYSTEM

NOTES:

1. VISIT WWW.APPLIEDCOATINGSINC.COM FOR SPECIFIC MANUFACTURER'S APPLICATION SPECIFICATIONS



ACRYLIC
COATING
SYSTEM

SEAL:

REV:

JOB NUMBER:

SCALE:

DATE: 09-25-19

DRAWN BY:

CHECKED BY:

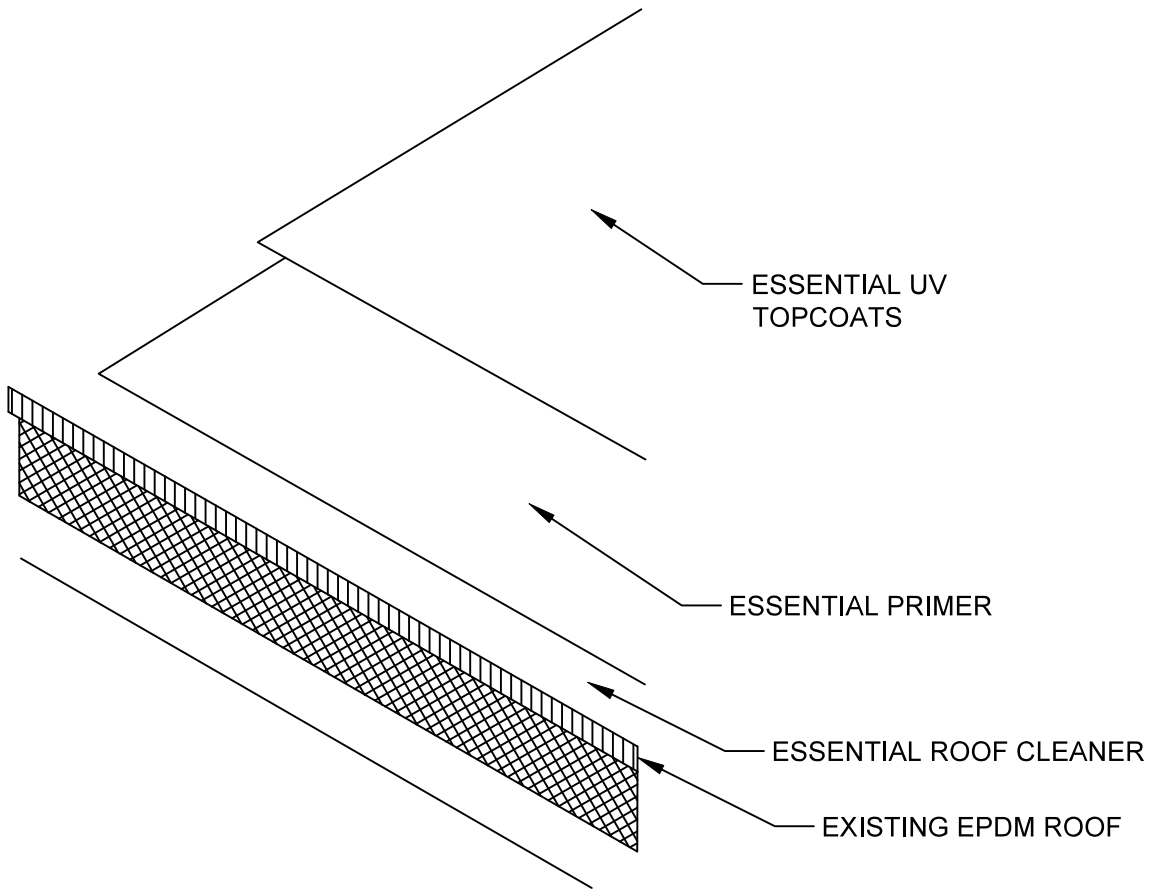
SHEET:

AS-04

**METAL
ESSENTIAL ACRYLIC
MAINTENANCE
COATING SYSTEM**

NOTES:

1. VISIT WWW.APPLIEDCOATINGSINC.COM FOR SPECIFIC MANUFACTURER'S APPLICATION SPECIFICATIONS.



ACRYLIC COATING SYSTEM

SEAL:

REV:

JOB NUMBER:

SCALE:

DATE: 09-25-19

DRAWN BY:

CHECKED BY:

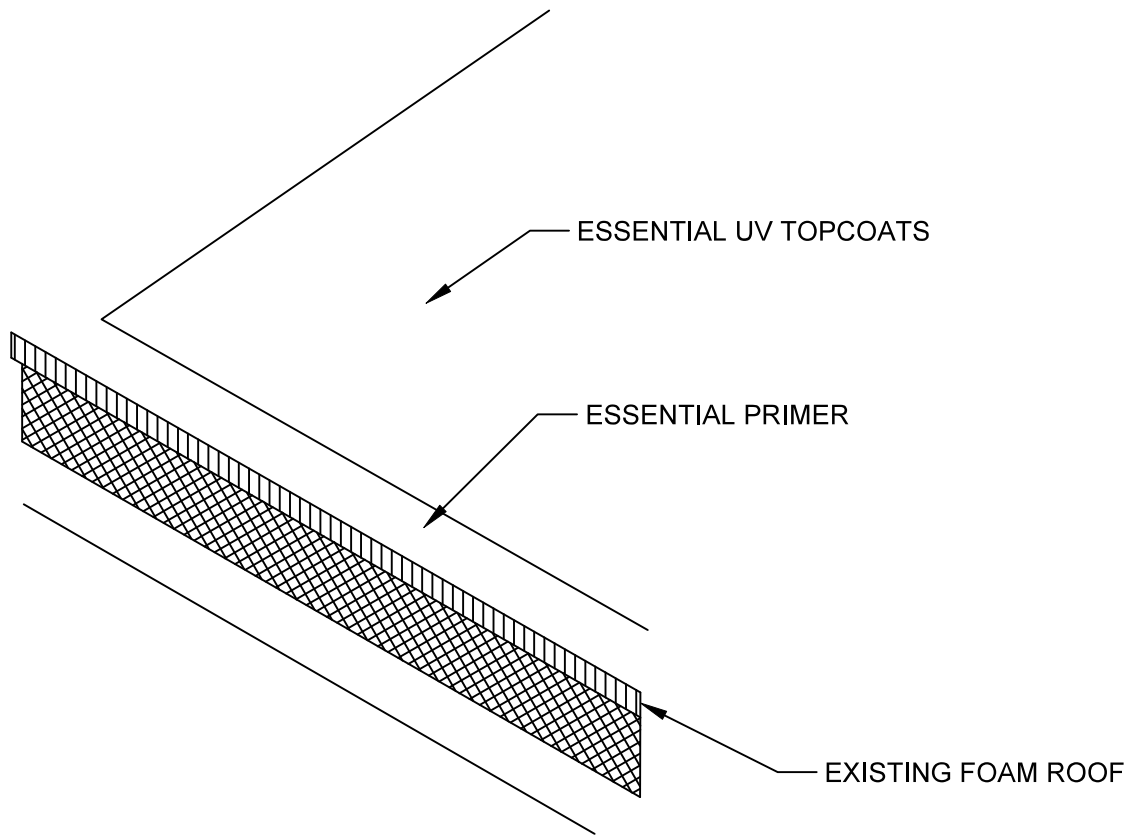
SHEET:

AS-05

EPDM
ESSENTIAL ACRYLIC
MAINTENANCE
COATING SYSTEM

NOTES:

1. VISIT WWW.APPLIEDCOATINGSINC.COM FOR SPECIFIC MANUFACTURER'S APPLICATION SPECIFICATIONS



ACRYLIC
COATING
SYSTEM

SEAL:

REV:

JOB NUMBER:

SCALE:

DATE: 09-25-19

DRAWN BY:

CHECKED BY:

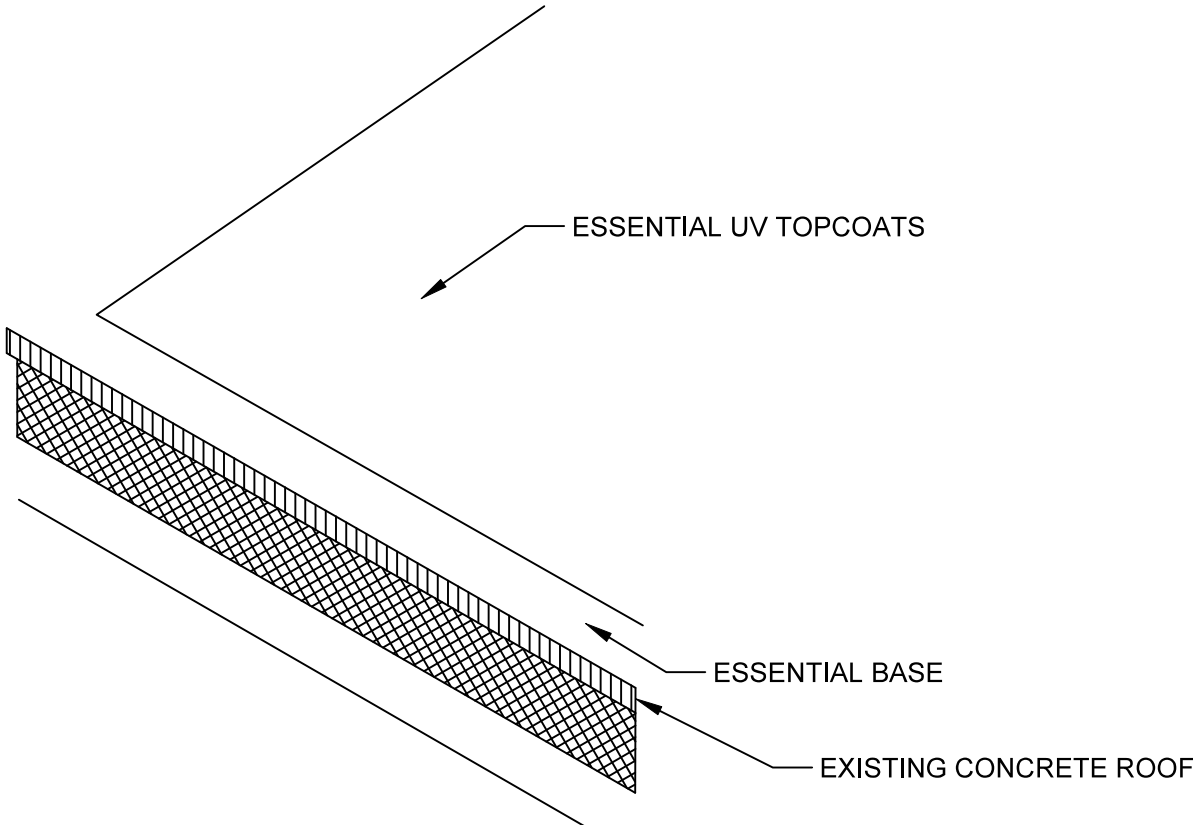
SHEET:

AS-06

FOAM
ESSENTIAL ACRYLIC
MAINTENANCE
COATING SYSTEM

NOTES:

1. VISIT WWW.APPLIEDCOATINGSINC.COM FOR SPECIFIC MANUFACTURER'S APPLICATION SPECIFICATIONS



ACRYLIC
COATING
SYSTEM

SEAL:

REV:

JOB NUMBER:

SCALE:

DATE: 09-25-19

DRAWN BY:

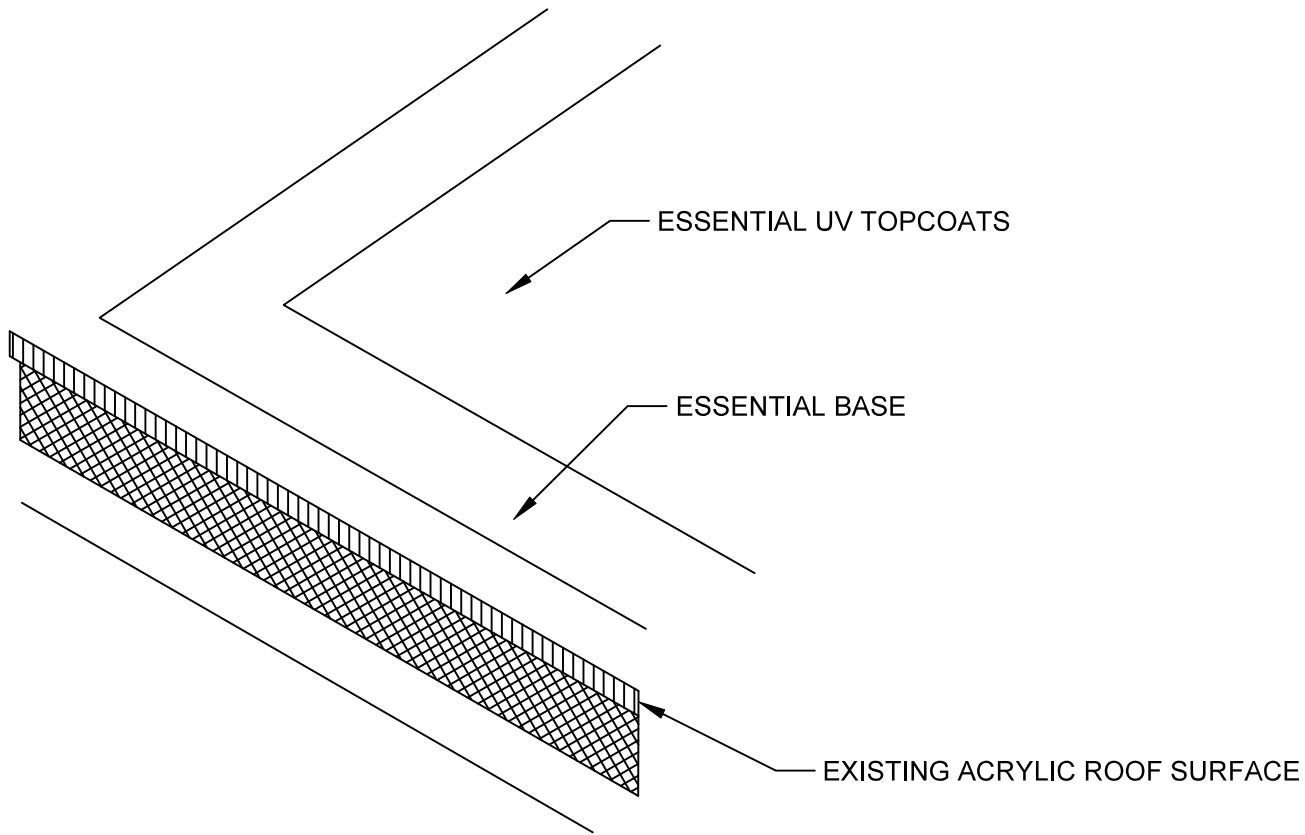
CHECKED BY:

SHEET:
AS-07

CONCRETE ESSENTIAL ACRYLIC MAINTENANCE COATING SYSTEM

NOTES:

1. VISIT WWW.APPLIEDCOATINGSINC.COM FOR SPECIFIC MANUFACTURER'S APPLICATION SPECIFICATIONS



ACRYLIC
COATING
SYSTEM

SEAL:

REV:

JOB NUMBER:

SCALE:

DATE: 09-25-19

DRAWN BY:

CHECKED BY:

SHEET:

AS-08

RE-COAT EXISTING ACRYLIC SURFACE
ESSENTIAL ACRYLIC
MAINTENANCE
COATING SYSTEM

NOTES:

1. VISIT WWW.APPLIEDCOATINGSINC.COM FOR SPECIFIC MANUFACTURER'S APPLICATION SPECIFICATIONS.