



# ESSENTIAL ACRYLIC ROOF TOP PENETRATION DETAILS

## DRAWING INDEX:

- CP-01 - COVER PAGE & DRAWING INDEX SHEET
- AD-01 - WALKING PAD
- AD-02 - METAL PARAPET CAP AND BASE FLASHING
- AD-03 - SKYLIGHT
- AD-04 - PLUMBING VENT
- AD-05 - ROOF DRAIN
- AD-06 - SCUPPER
- AD-07 - PENETRATION CURB
- AD-08 - EQUIPMENT CURB
- AD-09 - BASE FLASHING WITH COUNTER FLASHING
- AD-10 - ROOF PERIMETER EDGE
- AD-11 - GUTTER
- AD-12 - FIELD SEAMS

ACRYLIC  
ROOF  
DETAILS

SEAL:

REV:

JOB NUMBER:

SCALE:

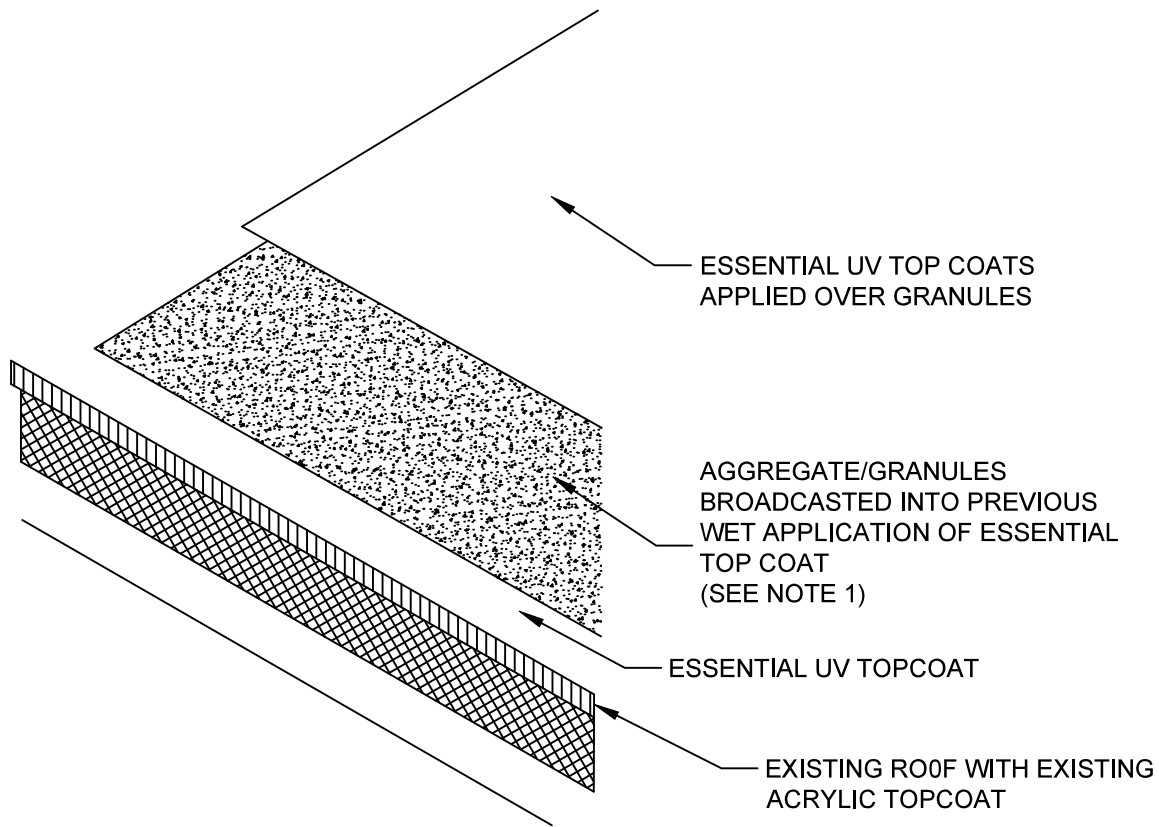
DATE:  
09-25-19

DRAWN BY:

CHECKED BY:

SHEET:  
CP-01

ACRYLIC  
ROOF  
DETAILS



# NON-SLIP HIGH FOOT TRAFFIC SURFACE

**NOTES:**

1. BROADCAST AGGREGATE GRANULES INTO WET ESSENTIAL UV TOP COAT AND BLOW OFF EXCESS AGGREGATE TO REMOVE LOOSE NON-ADHERED AGGREGATE

SEAL:

REV:

JOB NUMBER:

SCALE:

DATE: 09-25-19

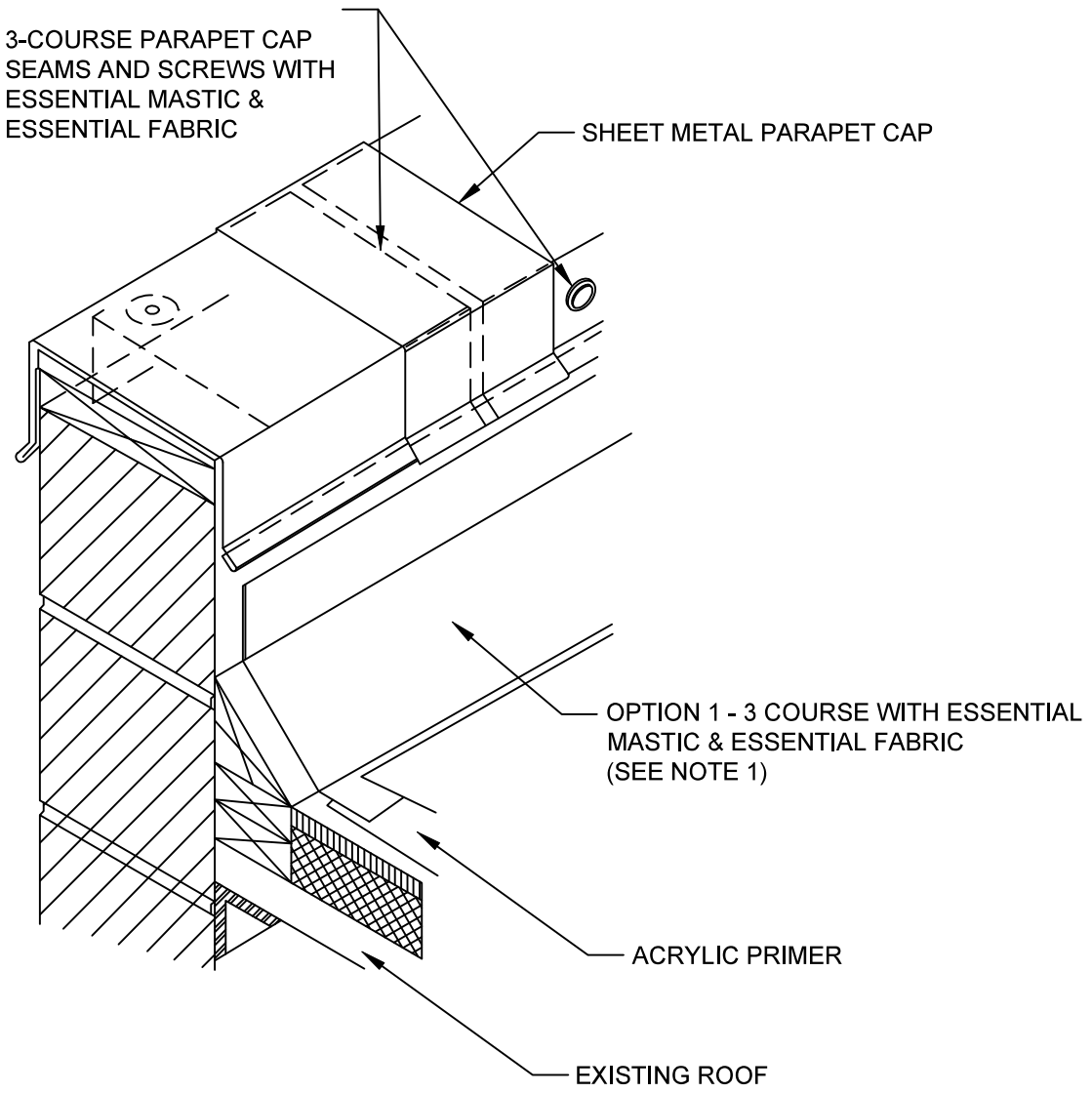
DRAWN BY:

CHECKED BY:

SHEET:

AD-01

ACRYLIC  
ROOF  
DETAILS



SEAL:

REV:

JOB NUMBER:

SCALE:

DATE: 09-25-19

DRAWN BY:

CHECKED BY:

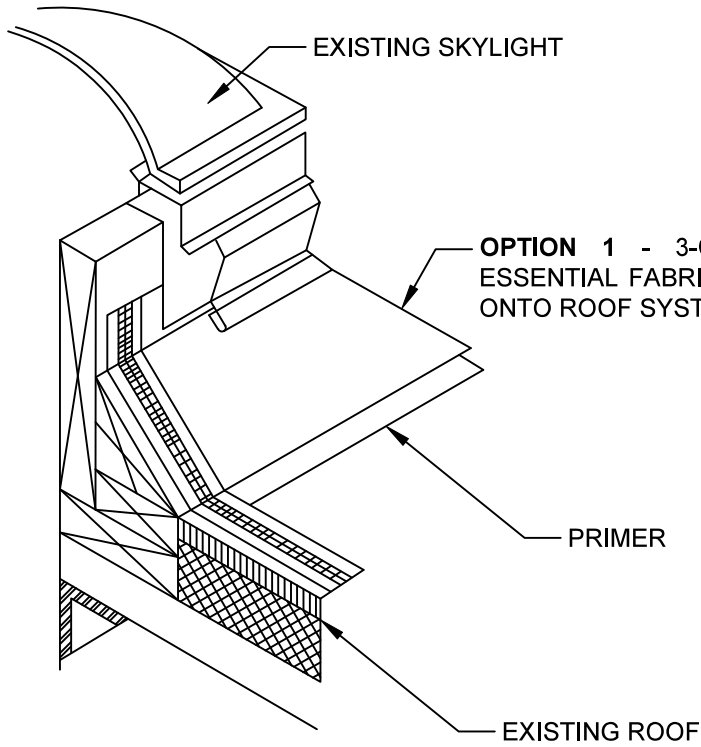
SHEET:

AD-02

# METAL PARAPET CAP & BASE FLASHING

**NOTES:**

1. SOME ROOF SURFACES WILL REQUIRE A PRIMER APPLICATION BEFORE THE 3-COURSING IS STARTED



ACRYLIC  
ROOF  
DETAILS

SEAL:

REV:

JOB NUMBER:

SCALE:

DATE: 09-25-19

DRAWN BY:

CHECKED BY:

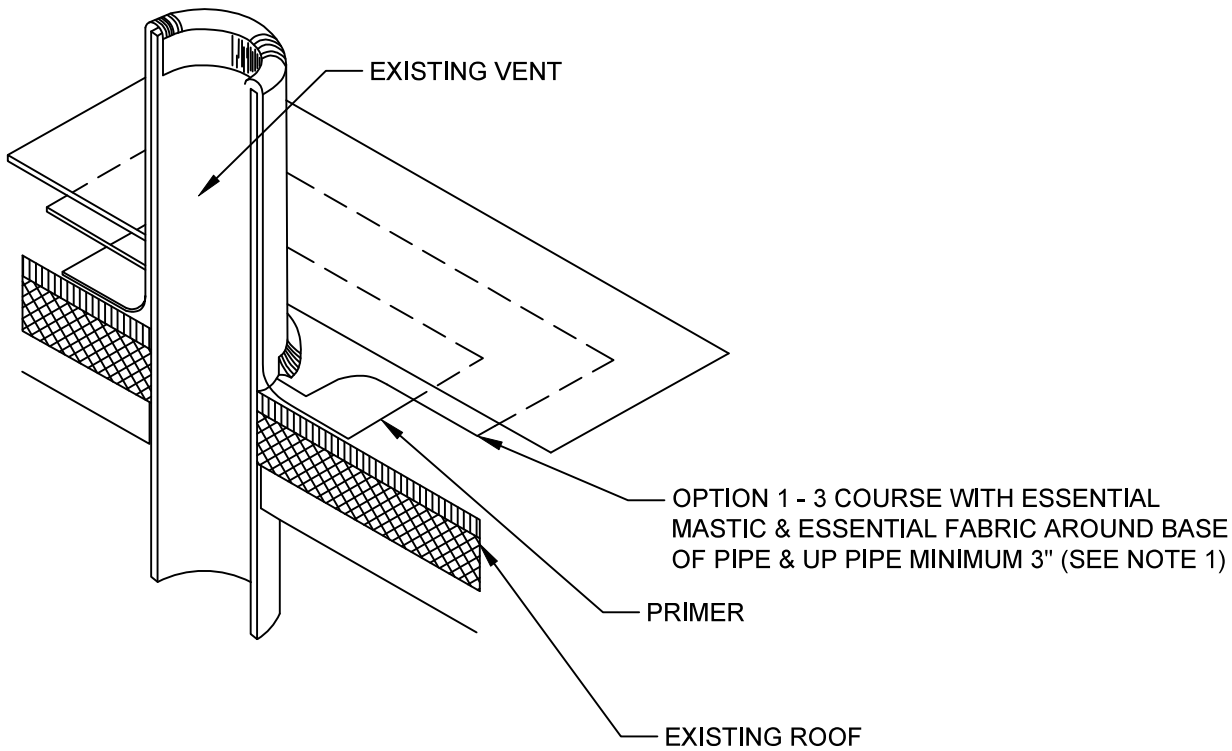
SHEET:

AD-03

# SKYLIGHT

**NOTES:**

1. SOME ROOF SURFACES WILL REQUIRE A PRIMER APPLICATION BEFORE THE 3-COURSING IS STARTED



# PLUMBING VENT

ACRYLIC  
ROOF  
DETAILS

SEAL:

REV:

JOB NUMBER:

SCALE:

DATE: 09-25-19

DRAWN BY:

CHECKED BY:

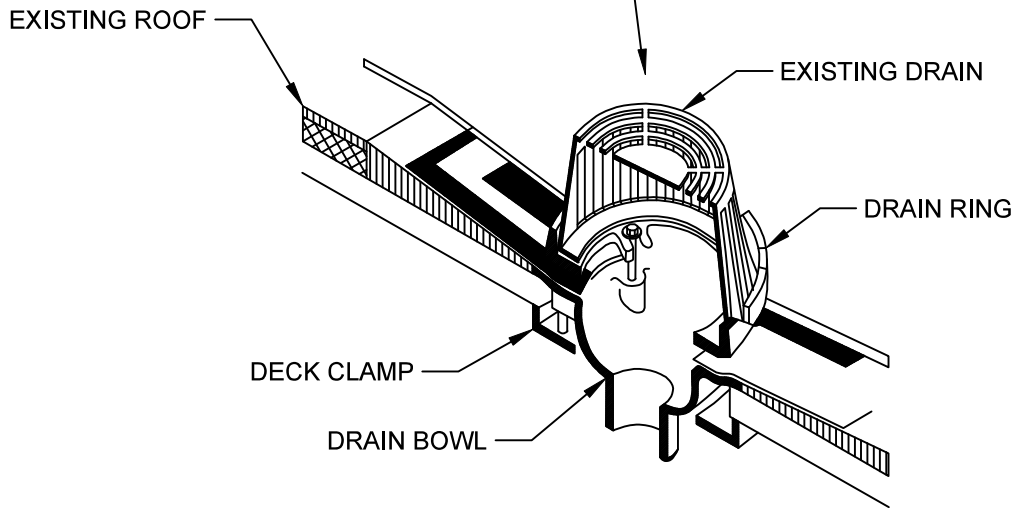
SHEET:

AD-04

**NOTES:**

1. SOME ROOF SURFACES WILL REQUIRE A PRIMER APPLICATION BEFORE THE 3-COURSING IS STARTED

**OPTION 1 - REMOVE DRAIN RING AND 3- COURSE WITH ESSENTIAL MASTIC & ESSENTIAL FABRIC INTO AND AROUND THE DRAIN PARAMETER OUT ONTO ROOF SURFACE A MINIMUM 9" (SEE NOTE 1)**



**ACRYLIC  
ROOF  
DETAILS**

SEAL:

REV:

JOB NUMBER:

SCALE:

DATE: **09-25-19**

DRAWN BY:

CHECKED BY:

SHEET:

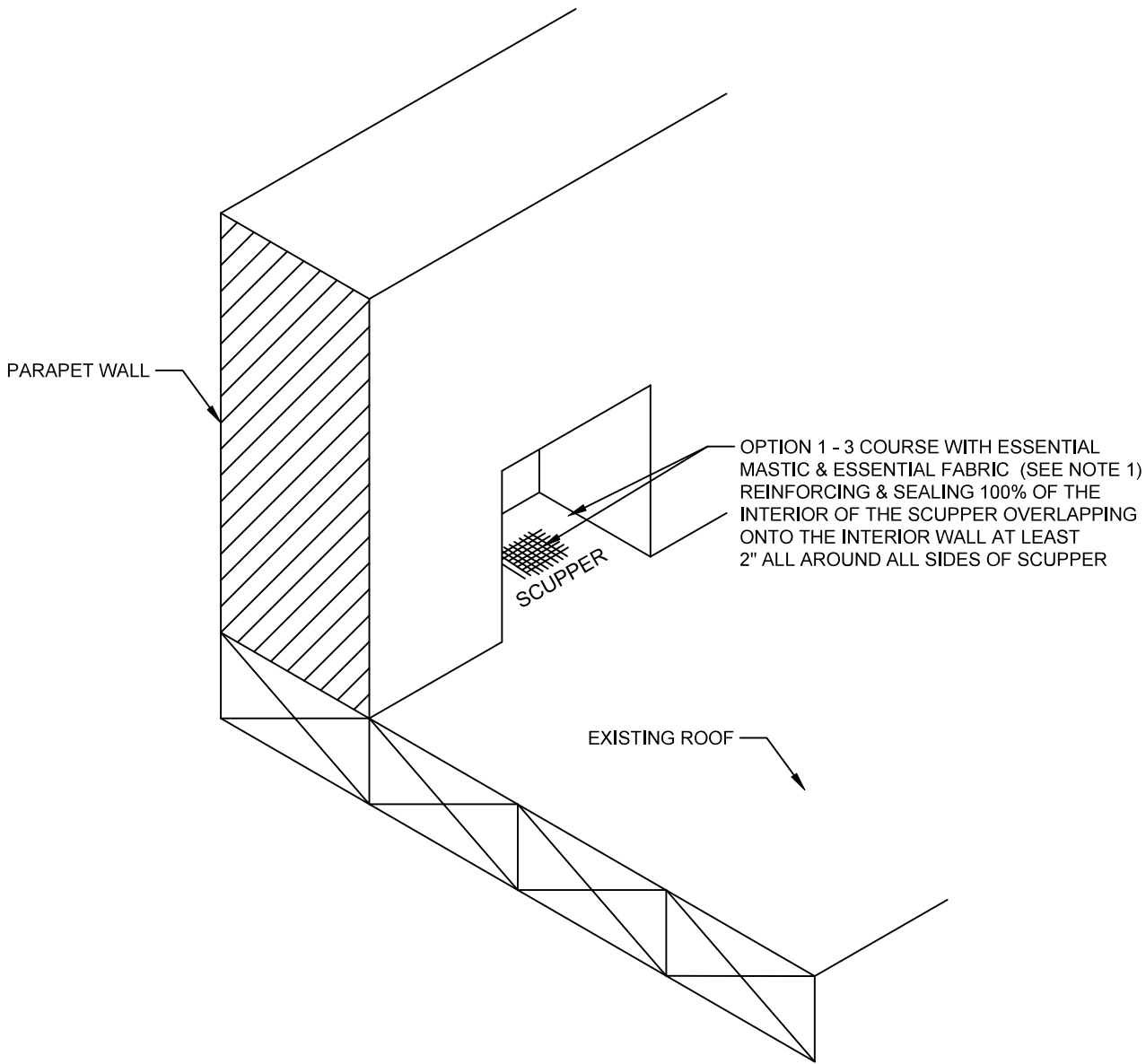
**AD-05**

**ROOF DRAIN**

**NOTES:**

1. SOME ROOF SURFACES WILL REQUIRE A PRIMER APPLICATION BEFORE THE 3-COURSING IS STARTED

ACRYLIC  
ROOF  
DETAILS



# SCUPPER

SEAL:

REV:

JOB NUMBER:

SCALE:

DATE: 09-25-19

DRAWN BY:

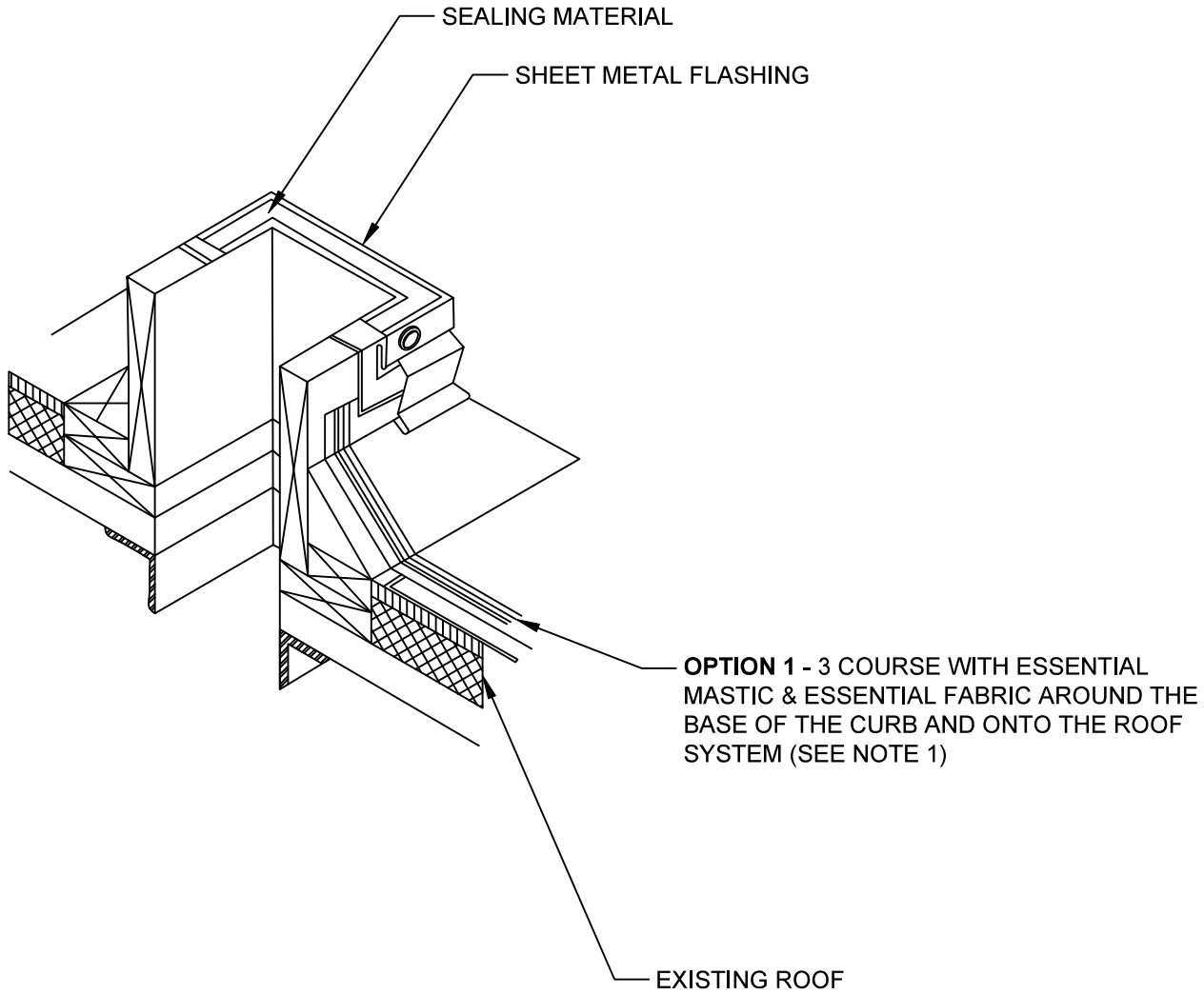
CHECKED BY:

SHEET:

AD-06

**NOTES:**

1. SOME ROOF SURFACES WILL REQUIRE A PRIMER APPLICATION BEFORE THE 3-COURSING IS STARTED



# PENETRATION CURB

**NOTES:**

1. SOME ROOF SURFACES WILL REQUIRE A PRIMER APPLICATION BEFORE THE 3-COURSING IS STARTED

ACRYLIC ROOF DETAILS

SEAL:

REV:

JOB NUMBER:

SCALE:

DATE: 09-25-19

DRAWN BY:

CHECKED BY:

SHEET:

AD-07



ACRYLIC  
ROOF  
DETAILS

SEAL:

REV:

JOB NUMBER:

SCALE:

DATE: 09-25-19

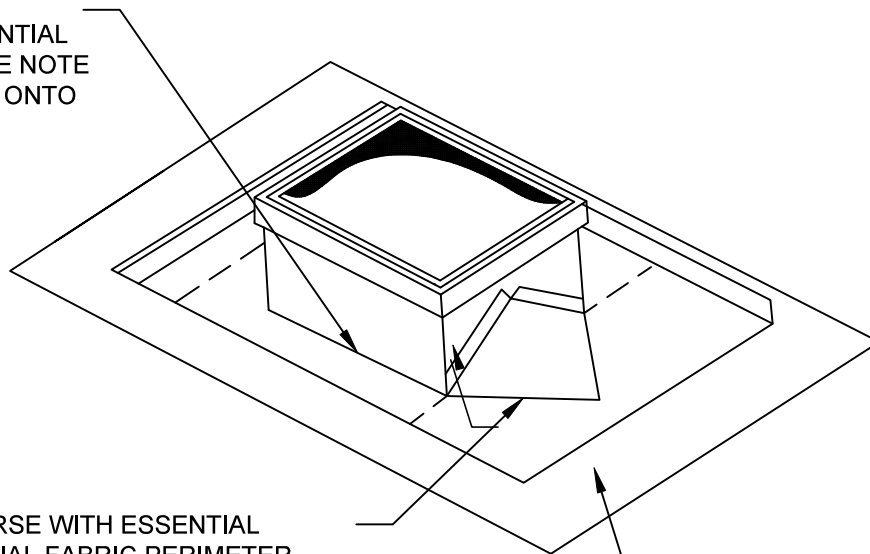
DRAWN BY:

CHECKED BY:

SHEET:

AD-08

**OPTION 1 - 3 COURSE WITH ESSENTIAL MASTIC & ESSENTIAL FABRIC (SEE NOTE 1) AROUND THE BASE OF CURB & ONTO ROOF SURFACE**



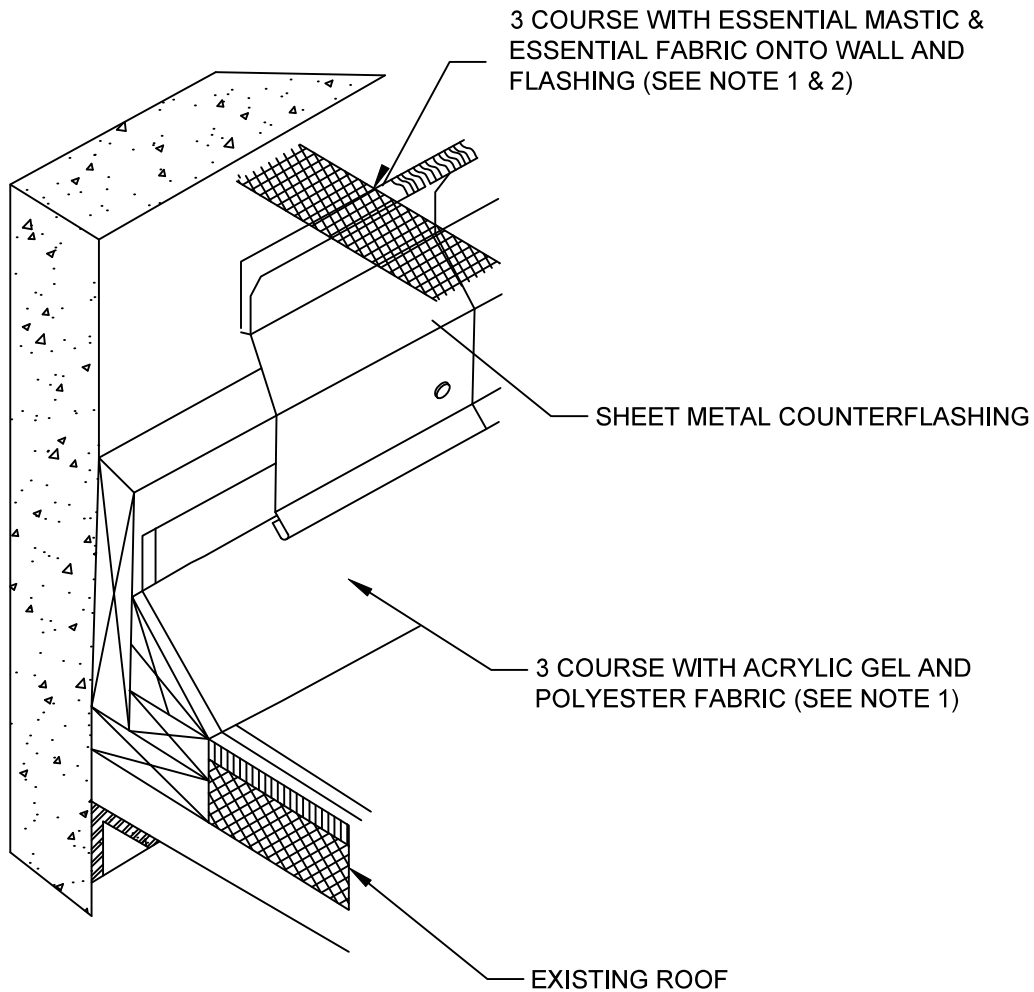
**OPTION 1 - 3 COURSE WITH ESSENTIAL MASTIC & ESSENTIAL FABRIC PERIMETER EDGES OF CRICKET ONTO ROOF SURFACE & CURB (SEE NOTE 1)**

EXISTING ROOF

# EQUIPMENT CURB

**NOTES:**

1. SOME ROOF SURFACES WILL REQUIRE A PRIMER APPLICATION BEFORE THE 3-COURSING IS STARTED



ACRYLIC  
ROOF  
DETAILS

SEAL:

REV:

JOB NUMBER:

SCALE:

DATE: 09-25-19

DRAWN BY:

CHECKED BY:

SHEET:

AD-09

# BASE FLASHING WITH COUNTER FLASHING

**NOTES:**

1. SOME ROOF SURFACES WILL REQUIRE A PRIMER APPLICATION BEFORE THE 3-COURSING IS STARTED

ACRYLIC  
ROOF  
DETAILS

SEAL:

REV:

JOB NUMBER:

SCALE:

DATE: 09-25-19

DRAWN BY:

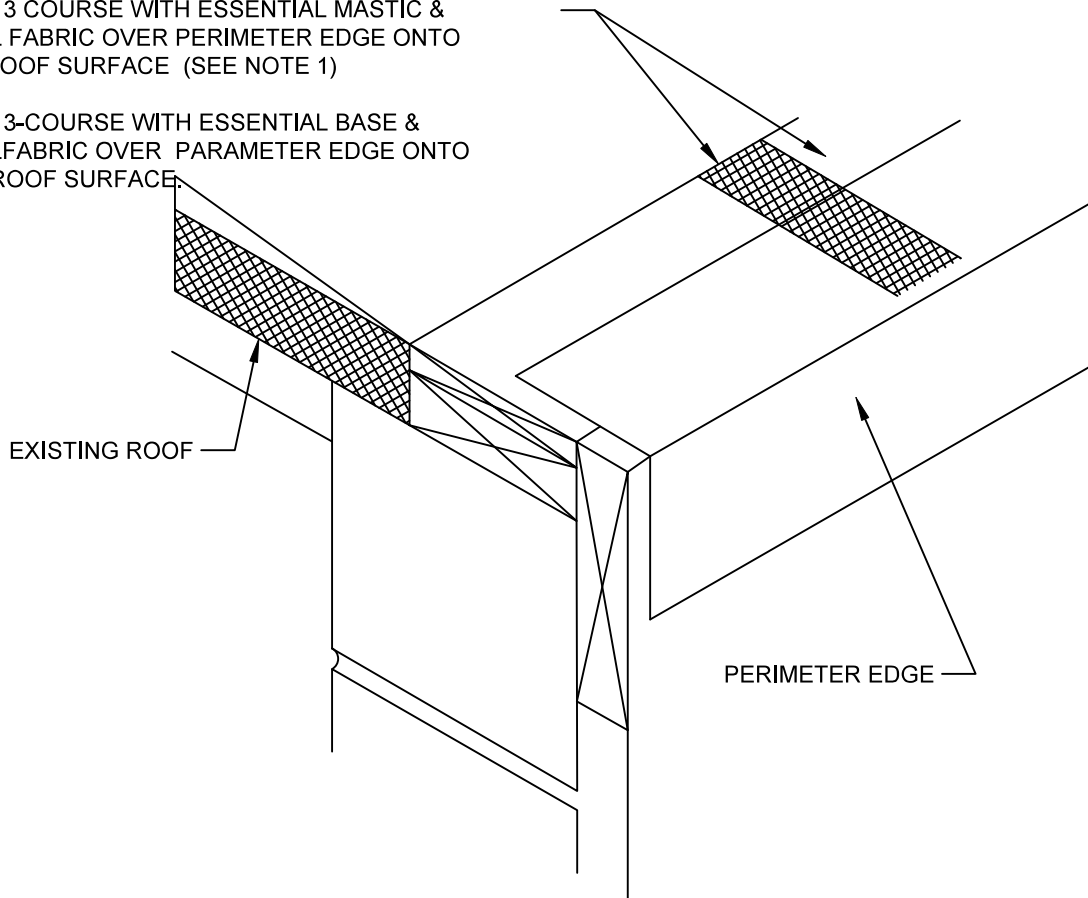
CHECKED BY:

SHEET:

AD-10

**OPTION 1** - 3 COURSE WITH ESSENTIAL MASTIC & ESSENTIAL FABRIC OVER PERIMETER EDGE ONTO EXISTING ROOF SURFACE (SEE NOTE 1)

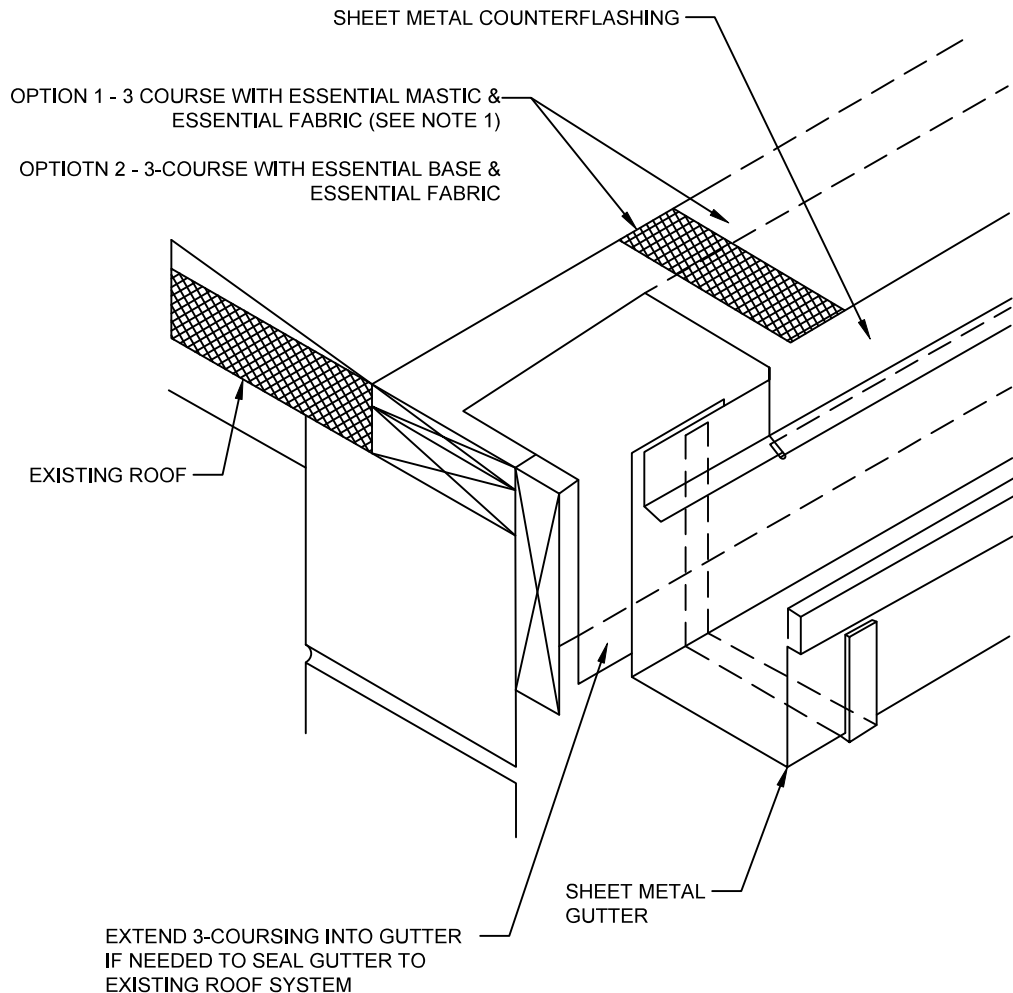
**OPTION 2** - 3-COURSE WITH ESSENTIAL BASE & ESSENTIAL FABRIC OVER PERIMETER EDGE ONTO EXISTING ROOF SURFACE



# ROOF PERIMETER EDGE

**NOTES:**

1. A PRIMER APPLICATION OF ESSENTIAL BASE IS REQUIRED OVER METAL SURFACE BEFORE 3-COURSING PROCESS IS STARTED
2. NEW METAL DRIP EDGE WITH OILY RESIDUE NEEDS TO BE TREATED WITH EITHER VINEGAR OR A PRODUCT THAT WILL REMOVE THE RESIDUE BEFORE APPLYING COATING PRODUCTS OVER THE NEW METAL.



ACRYLIC  
ROOF  
DETAILS

SEAL:

REV:

JOB NUMBER:

SCALE:

DATE: 09-25-19

DRAWN BY:

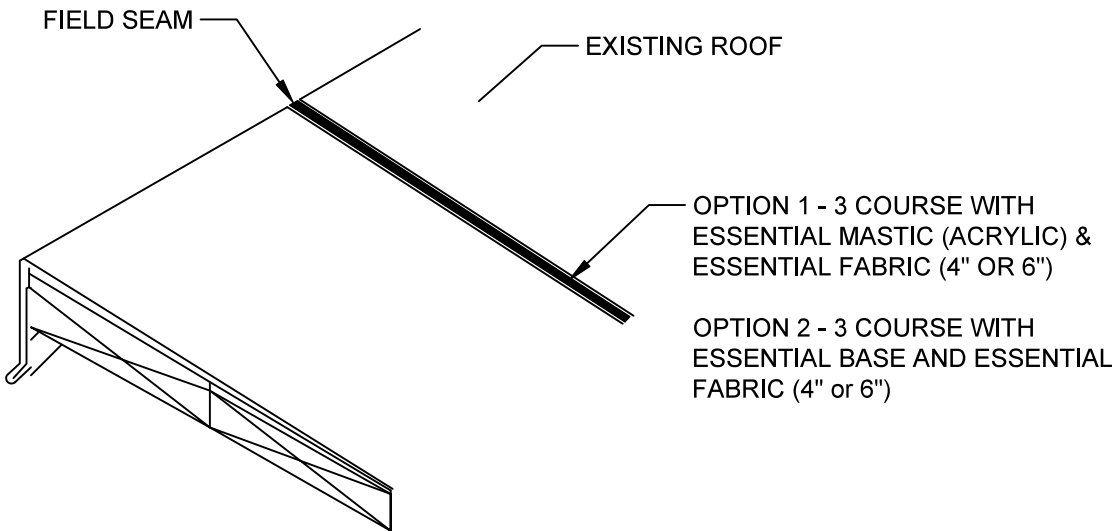
CHECKED BY:

SHEET:  
AD-11

# GUTTER

**NOTES:**

1. A PRIMER APPLICATION OF ESSENTIAL BASE IS REQUIRED OVER METAL SURFACE BEFORE 3-COURSING PROCESS IS STARTED
2. NEW METAL WITH OILY RESIDUE NEEDS TO BE TREATED WITH EITHER VINEGAR OR A PRODUCT THAT WILL REMOVE THE RESIDUE BEFORE APPLYING COATING PRODUCTS OVER THE NEW METAL.



ACRYLIC  
ROOF  
DETAILS

SEAL:

REV:

JOB NUMBER:

SCALE:

DATE: 09-25-19

DRAWN BY:

CHECKED BY:

SHEET:

AD-12

# FIELD SEAM REINFORCEMENT

**NOTES:**

1. SOME ROOF SURFACES WILL REQUIRE A PRIMER APPLICATION BEFORE THE 3-COURSING IS STARTED TO ENSURE PROPER ADHESION TO THOSE SURFACES.
2. 3-COURSING WITH ESSENTIAL MASTIC (ACRYLIC) OR ESSENTIAL BASE & ESSENTIAL FABRIC IS AN OPTION TO EITHER REINFORCE AN ENTIRE FIELD SEAM OR TO REPAIR DAMAGED FIELD SEAM(S).