



ESSENTIAL SILICONE ROOF COATING SYSTEM DETAILS

DRAWING INDEX:

CP-01	COVER PAGE & DRAWING INDEX SHEET
SS-01	BUR MINERALIZED BITUMEN
SS-02	BRAI TORCHDOWN
SS-03	TPO
SS-04	METAL- CORRUGATED, STANDING SEAM, R-PANEL
SS-05	EPDM
SS-06	TAR AND GRAVEL
SS-07	TAR AND GRAVEL ACRYLIC & SILICONE HYBRID WITH SILICONE TOP COATS
SS-08	FOAM
SS-09	CONCRETE
SS-10	RE-COAT OVER SILICONE OR OTHER COATED SURFACE

SILICONE
COATING
SYSTEMS

SEAL:

REV:

JOB NUMBER:

SCALE:

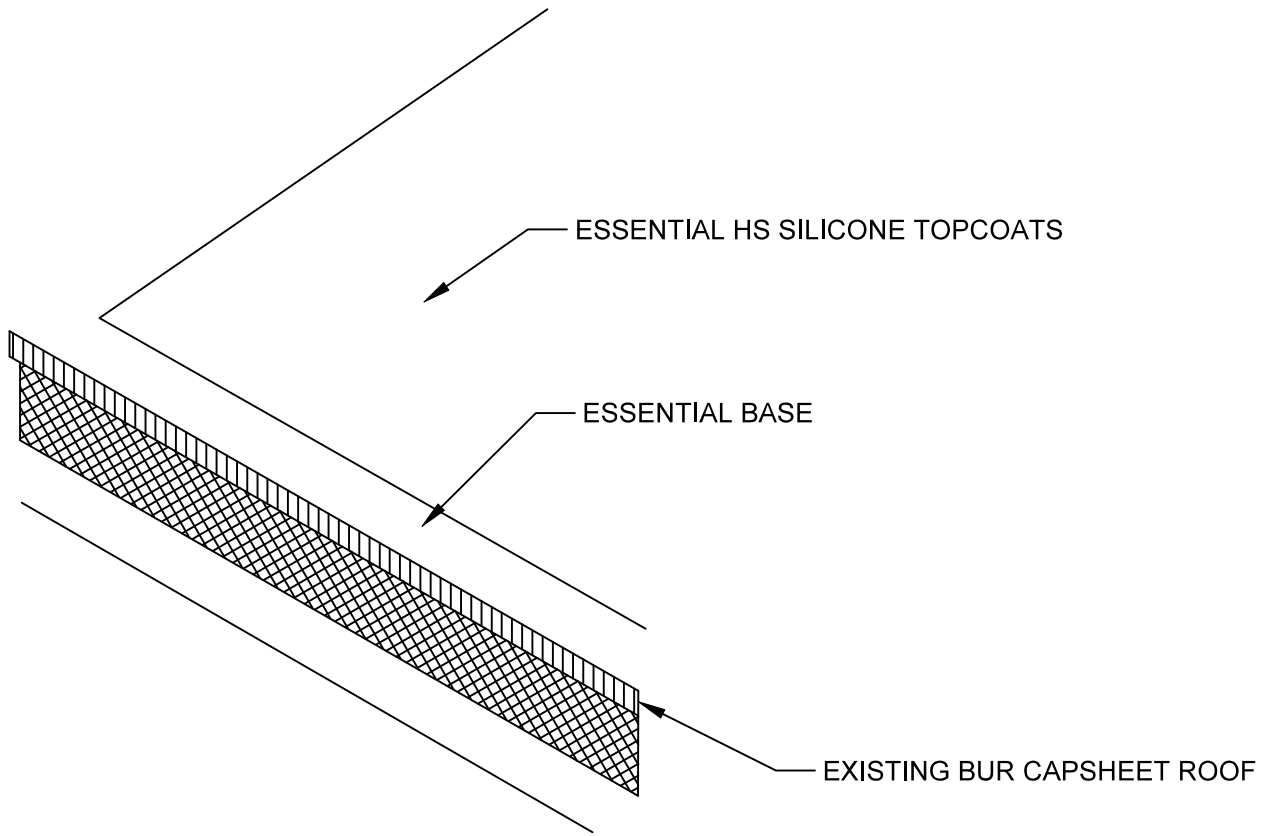
DATE:
09-25-19

DRAWN BY:

CHECKED BY:

SHEET:

CP-01



SILICONE COATING SYSTEM

SEAL:

REV:

JOB NUMBER:

SCALE:

DATE: 09-25-19

DRAWN BY:

CHECKED BY:

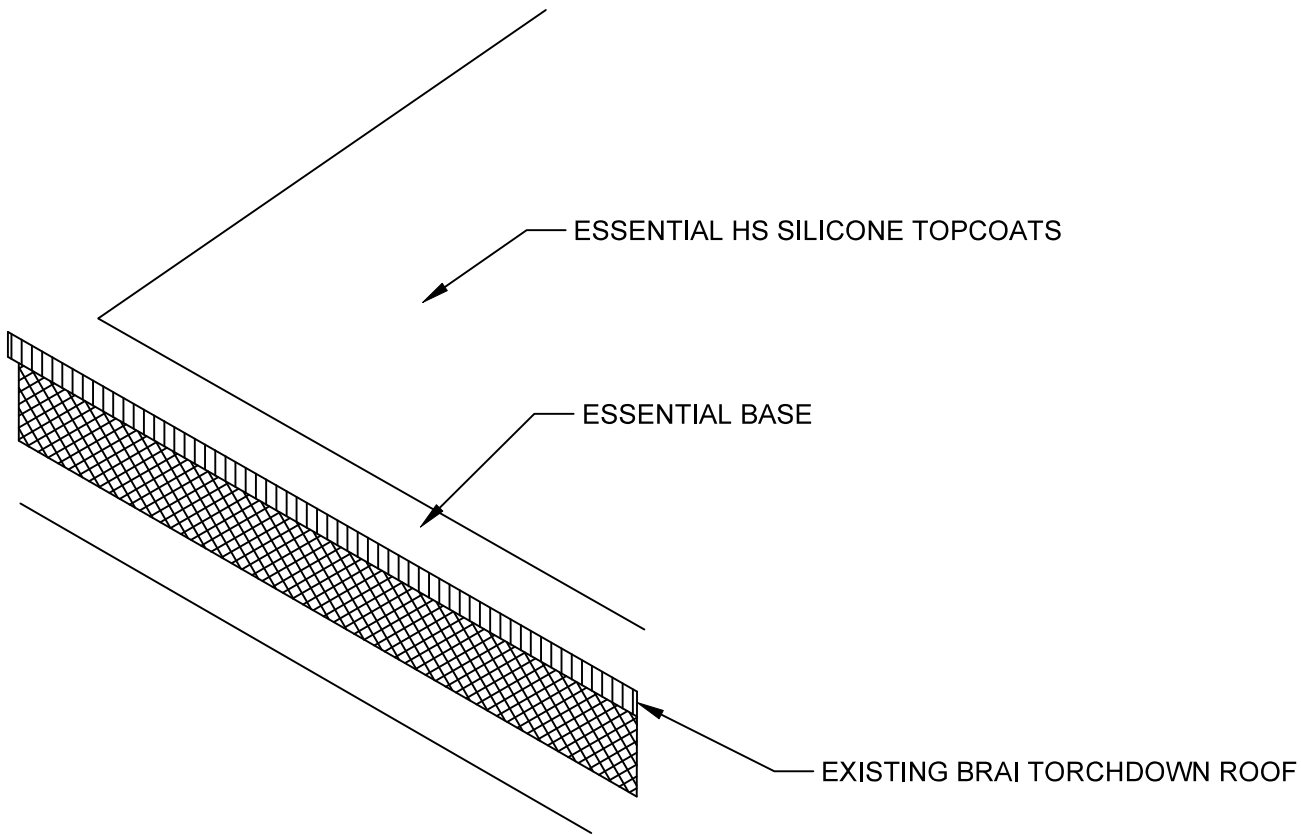
SHEET:

SS-01

**BUR MINERALIZED BITUMEN
ESSENTIAL SILICONE
MAINTENANCE
COATING SYSTEM**

NOTES:

1. VISIT WWW.APPLIEDCOATINGSINC.COM FOR SPECIFIC MANUFACTURER'S APPLICATION SPECIFICATIONS



SILICONE
COATING
SYSTEM

SEAL:

REV:

JOB NUMBER:

SCALE:

DATE: 09-25-19

DRAWN BY:

CHECKED BY:

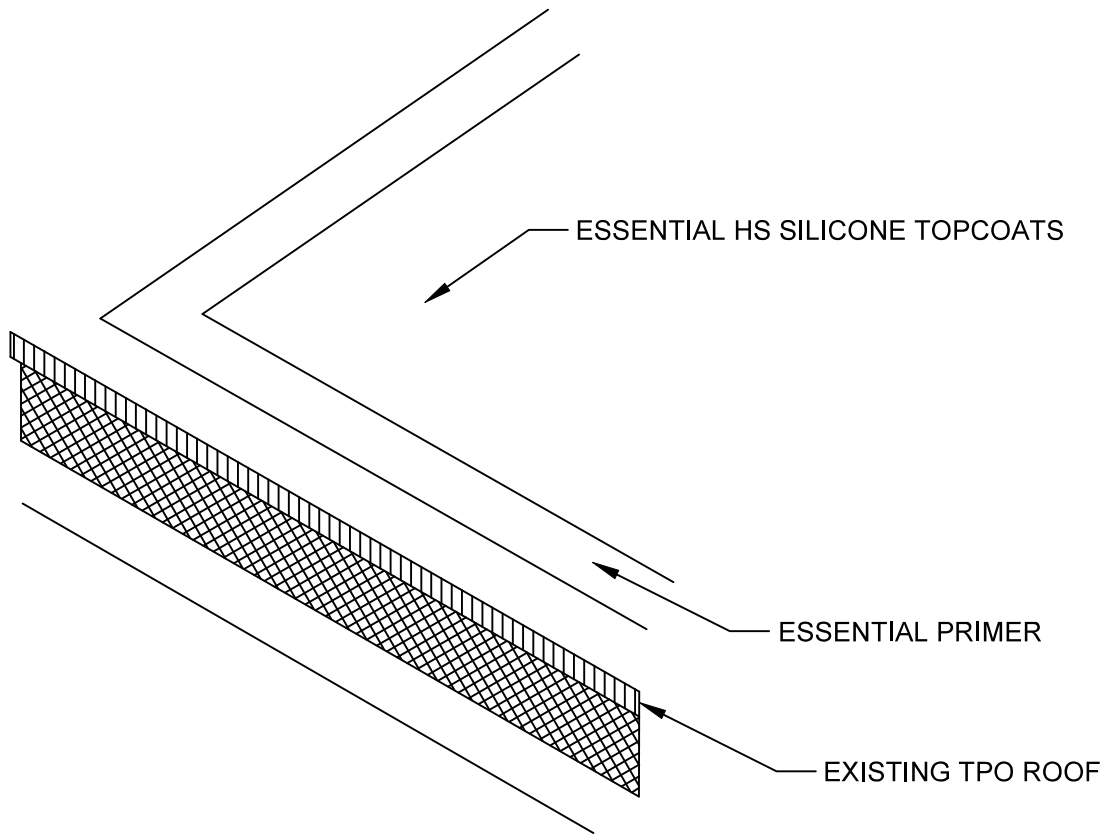
SHEET:

SS-02

**BRAI TORCHDOWN
ESSENTIAL SILICONE
MAINTENANCE
COATING SYSTEM**

NOTES:

1. VISIT WWW.APPLIEDCOATINGSINC.COM FOR SPECIFIC MANUFACTURER'S APPLICATION SPECIFICATIONS



SILICONE
COATING
SYSTEM

SEAL:

REV:

JOB NUMBER:

SCALE:

DATE: 09-25-19

DRAWN BY:

CHECKED BY:

SHEET:

SS-03

TPO
ESSENTIAL SILICONE
MAINTENANCE
COATING SYSTEM

NOTES:

1. VISIT WWW.APPLIEDCOATINGSINC.COM FOR SPECIFIC MANUFACTURER'S APPLICATION SPECIFICATIONS

SILICONE
COATING
SYSTEM

SEAL:

REV:

JOB NUMBER:

SCALE:

DATE: 09-25-19

DRAWN BY:

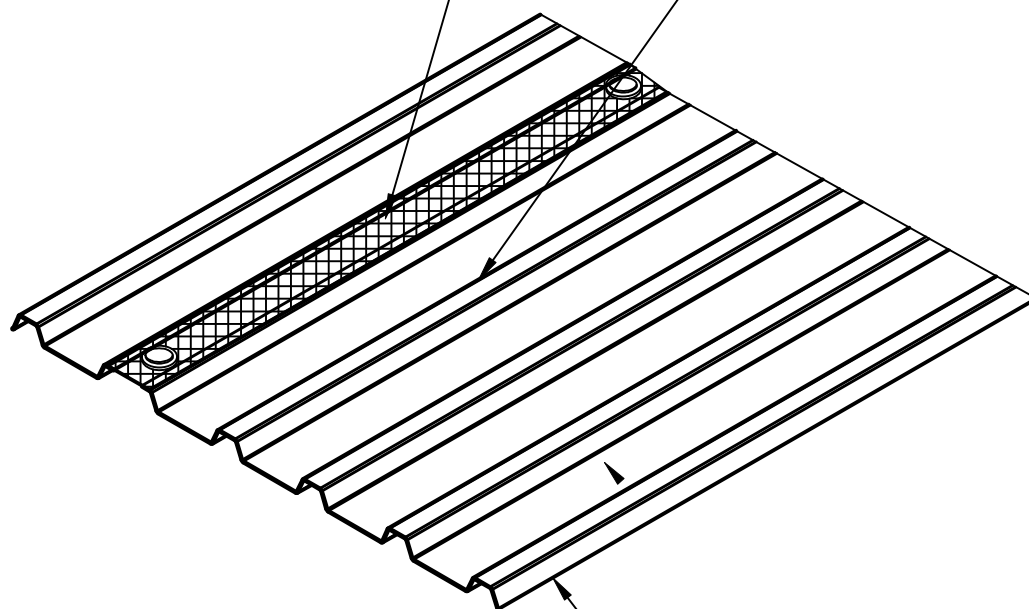
CHECKED BY:

SHEET:

SS-04

DAMAGED VERTICAL & HORIZONTAL
FIELD SEAMS & FASTENERS ARE TO
BE SEALED WITH ESSENTIAL MASTIC

ESSETNAIL HS SILICONE
TOP COATS OVER
EXISTING ROOF

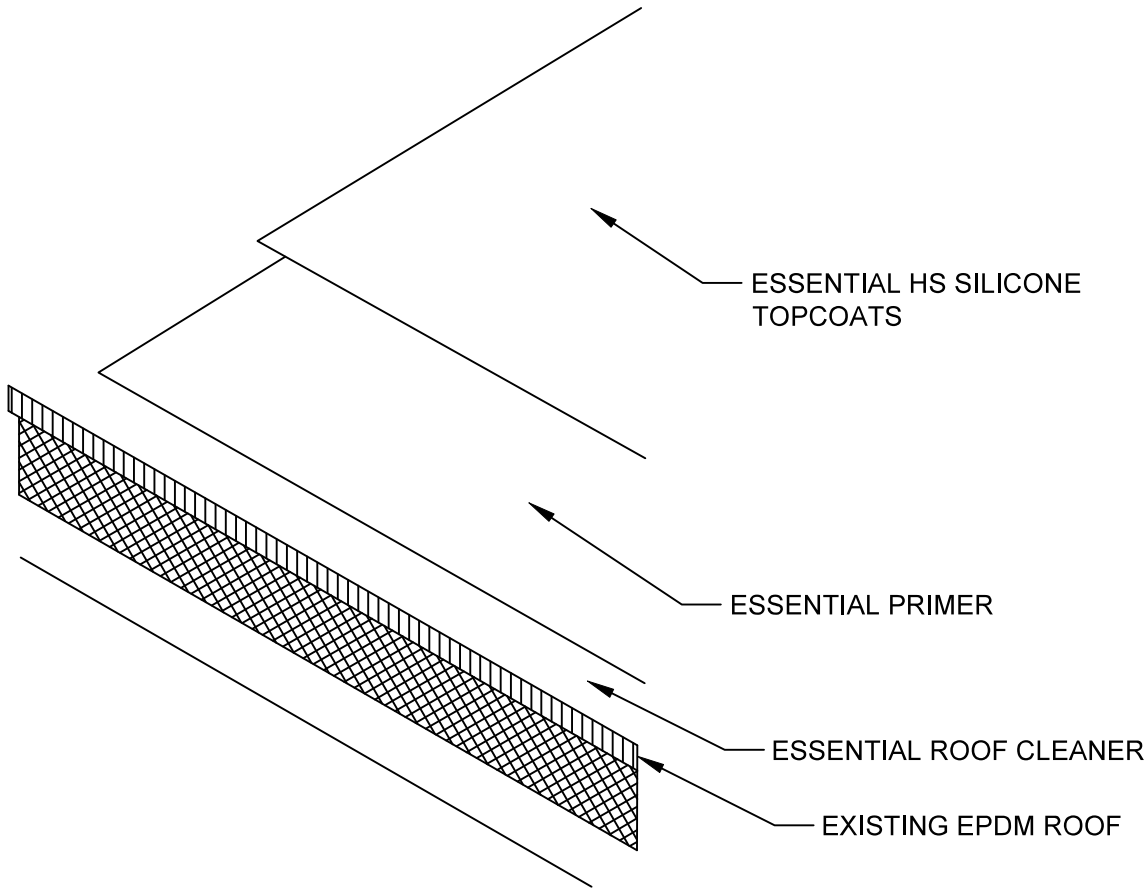


EXISTING METAL ROOF

METAL
ESSENTIAL SILICONE
RESTORATION COATING
SYSTEM

NOTES:

1. VISIT WWW.APPLIEDCOATINGSINC.COM FOR SPECIFIC MANUFACTURER'S APPLICATION SPECIFICATIONS



SILICONE
COATING
SYSTEM

SEAL:

REV:

JOB NUMBER:

SCALE:

DATE: 09-25-19

DRAWN BY:

CHECKED BY:

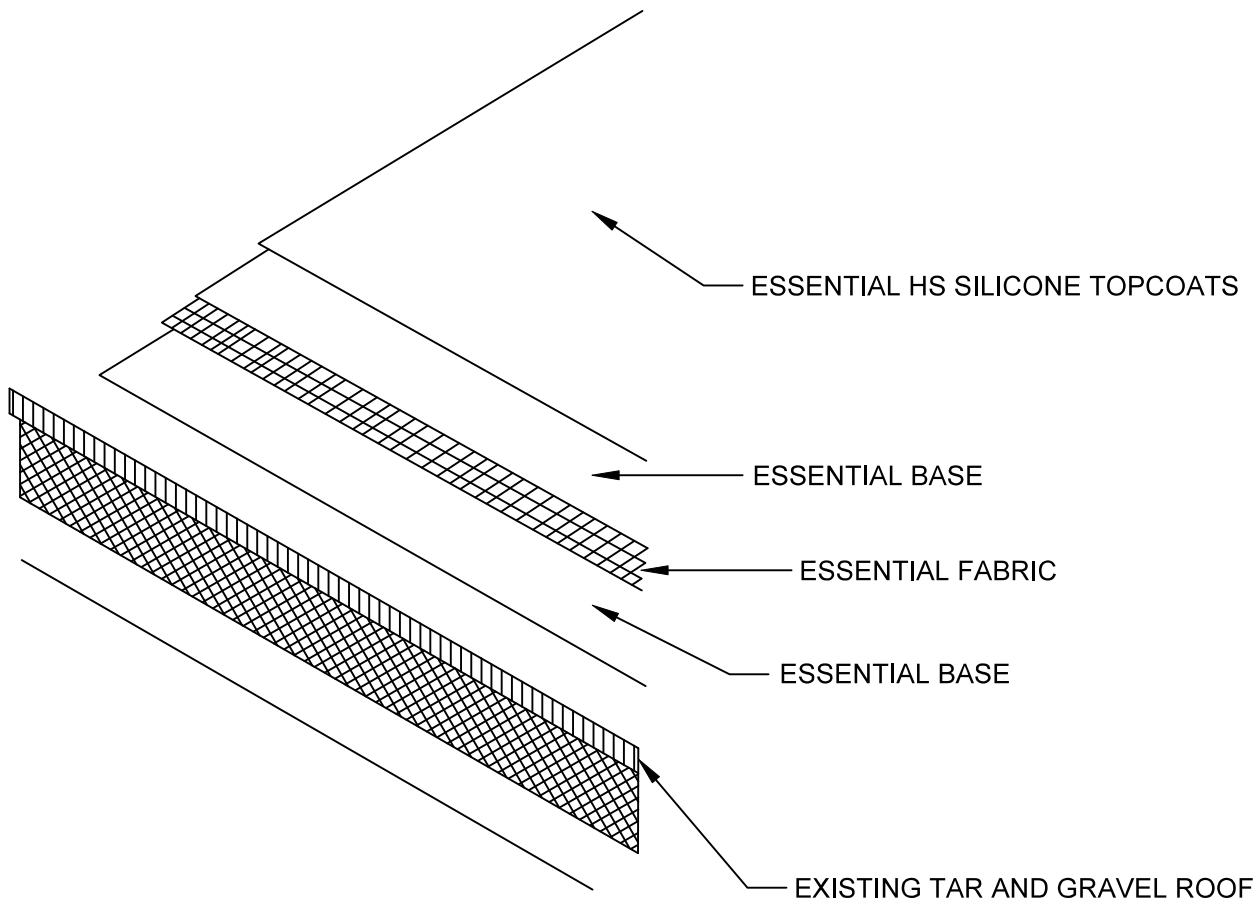
SHEET:

SS-05

EPDM
ESSENTIAL SILICONE
MAINTENANCE
COATING SYSTEM

NOTES:

1. VISIT WWW.APPLIEDCOATINGSINC.COM FOR SPECIFIC MANUFACTURER'S APPLICATION SPECIFICATIONS



ACRYLIC &
SILICONE
HYBRID
SYSTEM

SEAL:

REV:

JOB NUMBER:

SCALE:

DATE: 09-25-19

DRAWN BY:

CHECKED BY:

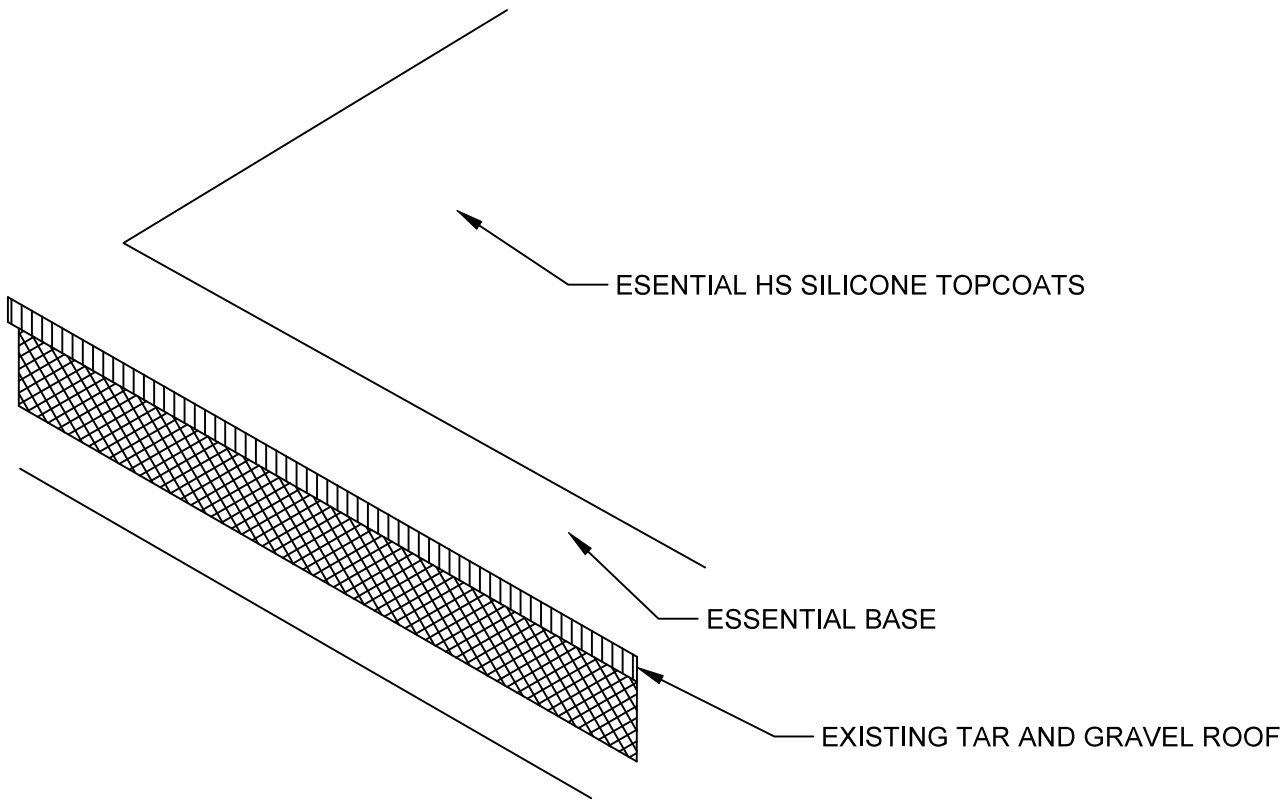
SHEET:

SS-06

TAR & GRAVEL
ESSENTIAL ACRYLIC &
SILICONE HYBRID SYSTEM

NOTES:

1. VISIT WWW.APPLIEDCOATINGSINC.COM FOR SPECIFIC MANUFACTURER'S APPLICATION SPECIFICATIONS



SILICONE
COATING
SYSTEM

SEAL:

REV:

JOB NUMBER:

SCALE:

DATE: 09-25-19

DRAWN BY:

CHECKED BY:

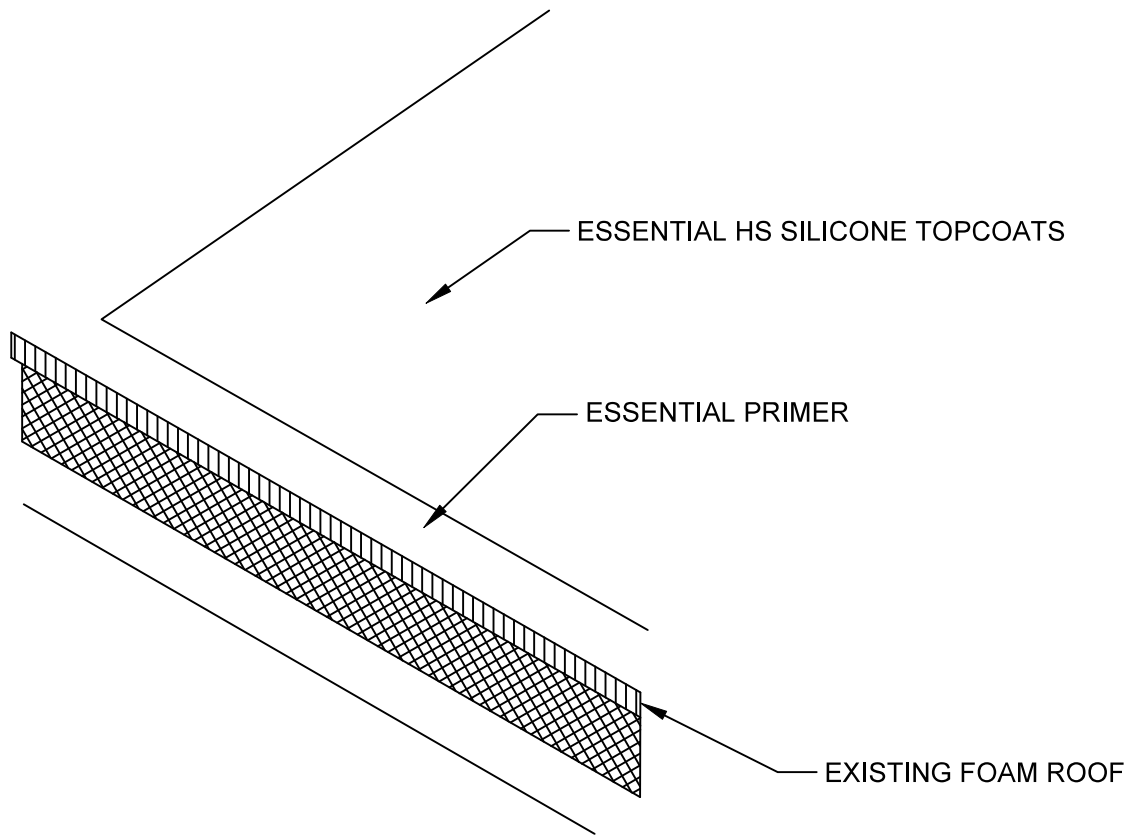
SHEET:

SS-07

**TAR AND GRAVEL
ESSENTIAL SILICONE
MAINTENANCE
COATING SYSTEM**

NOTES:

1. VISIT WWW.APPLIEDCOATINGSINC.COM FOR SPECIFIC MANUFACTURER'S APPLICATION SPECIFICATIONS



SILICONE
COATING
SYSTEM

SEAL:

REV:

JOB NUMBER:

SCALE:

DATE: 09-25-19

DRAWN BY:

CHECKED BY:

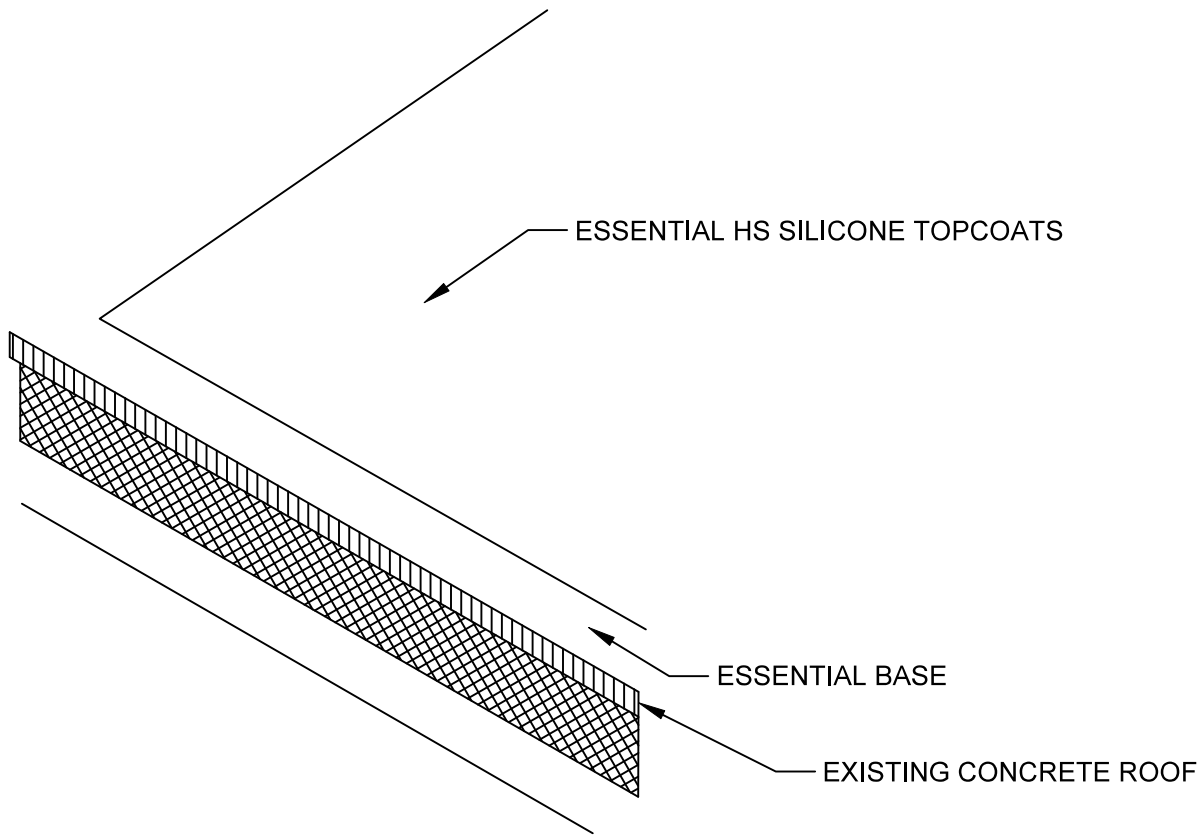
SHEET:

SS-08

**FOAM
ESSENTIAL SILICONE
MAINTENANCE
COATING SYSTEM**

NOTES:

1. VISIT WWW.APPLIEDCOATINGSINC.COM FOR SPECIFIC MANUFACTURER'S APPLICATION SPECIFICATIONS



SILICONE
COATING
SYSTEM

SEAL:

REV:

JOB NUMBER:

SCALE:

DATE: 09-25-19

DRAWN BY:

CHECKED BY:

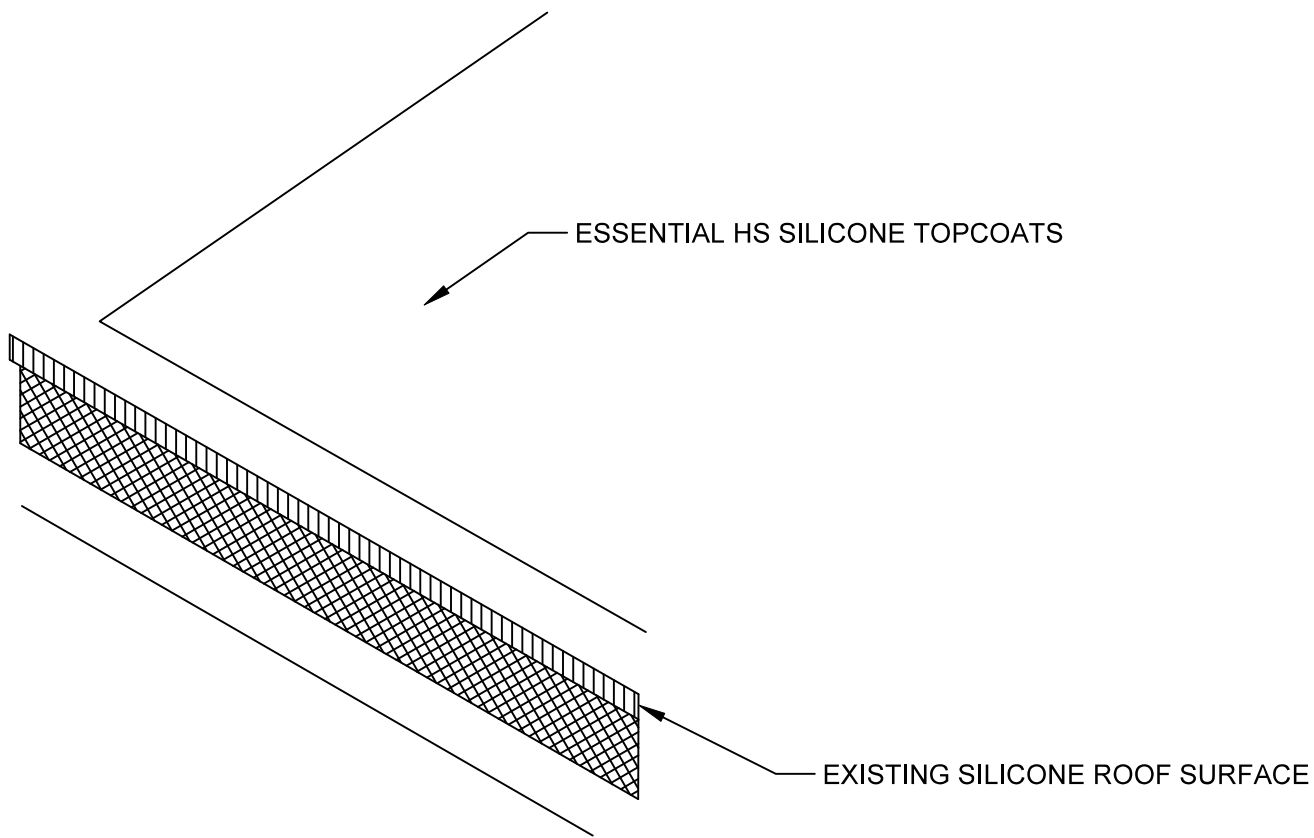
SHEET:

SS-09

CONCRETE
ESSENTIAL SILICONE
MAINTENANCE
COATING SYSTEM

NOTES:

1. VISIT WWW.APPLIEDCOATINGSINC.COM FOR SPECIFIC MANUFACTURER'S APPLICATION SPECIFICATIONS.



SILICONE
COATING
SYSTEM

SEAL:

REV:

JOB NUMBER:

SCALE:

DATE: 09-25-19

DRAWN BY:

CHECKED BY:

SHEET:

SS-10

**RE-COAT EXISTING SILICONE
OR OTHER COATED SURFACE
ESSENTIAL SILICONE
MAINTENANCE
COATING SYSTEM**

NOTES:

1. VISIT WWW.APPLIEDCOATINGSINC.COM FOR SPECIFIC MANUFACTURER'S APPLICATION SPECIFICATIONS