



ESSENTIAL SILICONE ROOF TOP PENETRATION DETAILS

DRAWING INDEX:

CP-01	COVER PAGE & DRAWING INDEX SHEET
SD-01	NON-SLIP HIGH FOOT TRAFFICE SURFACE
SD-02	METAL PARAPET CAP AND BASE FLASHING
SD-03	SKYLIGHT
SD-04	PLUMBING VENT
SD-05	ROOF DRAIN
SD-06	SCUPPER
SD-07	CURB
SD-08	RAISED CURB FOR ROOFTOP EQUIPMENT
SD-09	BASE FLASHING WITH COUNTER FLASHING
SD-10	ROOF PERIMETER EDGE
SD-11	GUTTER

SILICON
ROOF
DETAILS

SEAL:

REV:

JOB NUMBER:

SCALE:

DATE:
09-25-19

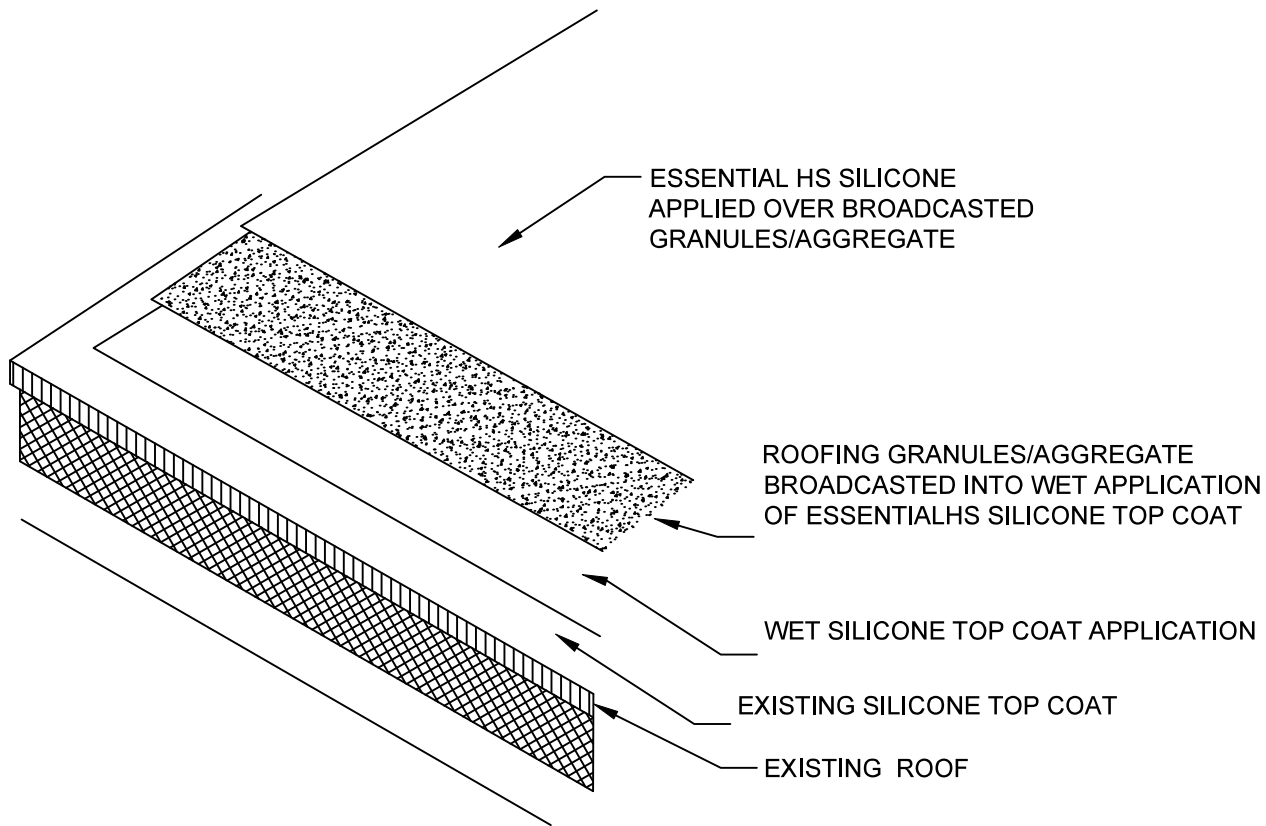
DRAWN BY:

CHECKED BY:

SHEET:

CP-01

SILICONE
ROOF
DETAILS



NON-SLIP
HIGH FOOT TRAFFIC
SURFACE

SEAL:

REV:

JOB NUMBER:

SCALE:

DATE: 09-25-19

DRAWN BY:

CHECKED BY:

SHEET:

SD-01

**SILICONE
ROOF
DETAILS**

SEAL:

REV:

JOB NUMBER:

SCALE:

DATE: 09-25-19

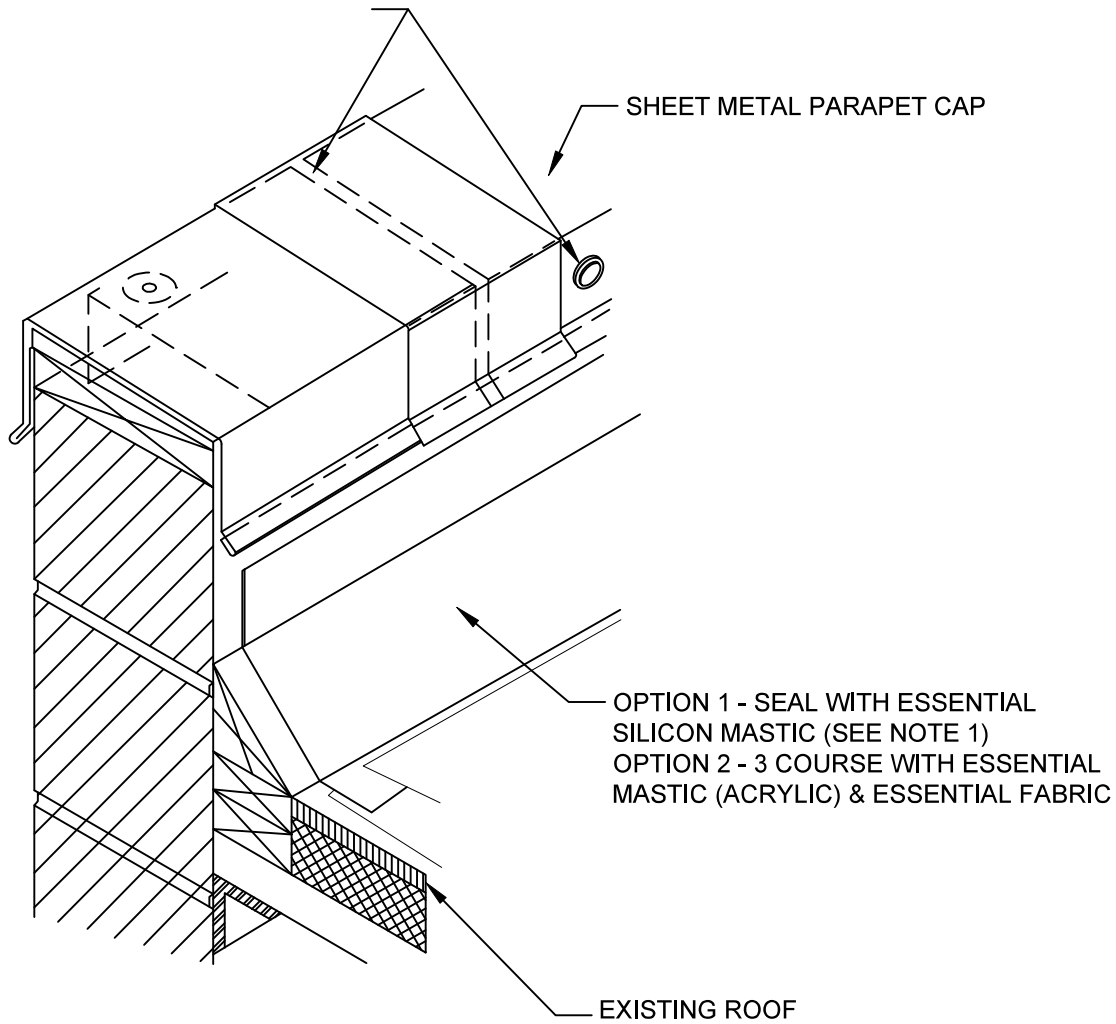
DRAWN BY:

CHECKED BY:

SHEET:

SD-02

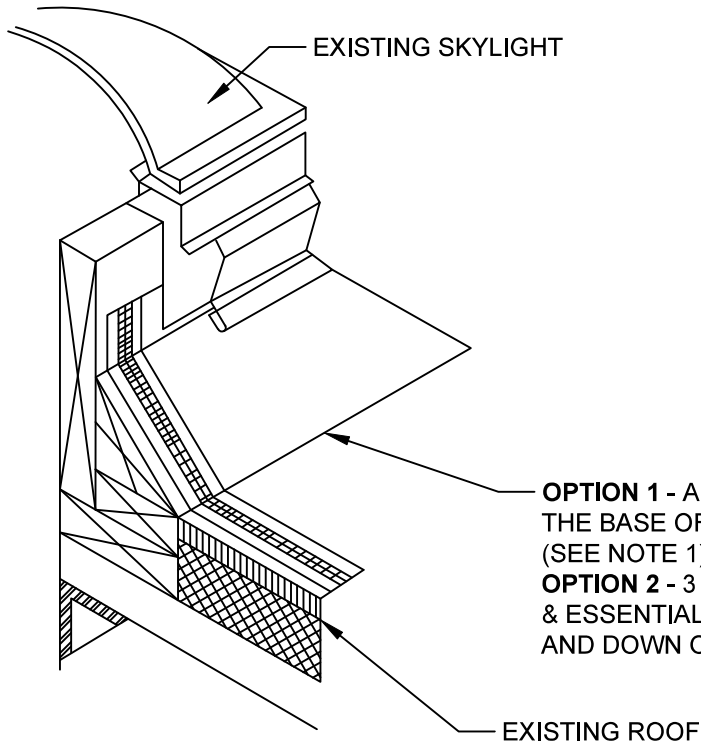
SEAL PARAPET CAP SEAMS
& SCREWS WITH ESSENTIAL
SILICONE MASTIC



METAL PARAPET CAP & BASE FLASHING

NOTES:

1. SOME ROOF SURFACES WILL REQUIRE A PRIMER APPLICATION BEFORE THE PENETRATIONS CAN BE SEALED



OPTION 1 - APPLY ESSENTIAL SILICON MASTIC AROUND THE BASE OF SKYLIGHT AND DOWN ONTO ROOF SYSTEM (SEE NOTE 1)
OPTION 2 - 3 COURSE WITH ESSENTIAL MASTIC (ACRYLIC) & ESSENTIAL FABRIC AROUND THE BASE OF SKYLIGHT AND DOWN ONTO ROOF SYSTEM

**SILICONE
ROOF
DETAILS**

SEAL:

REV:

JOB NUMBER:

SCALE:

DATE: 09-25-19

DRAWN BY:

CHECKED BY:

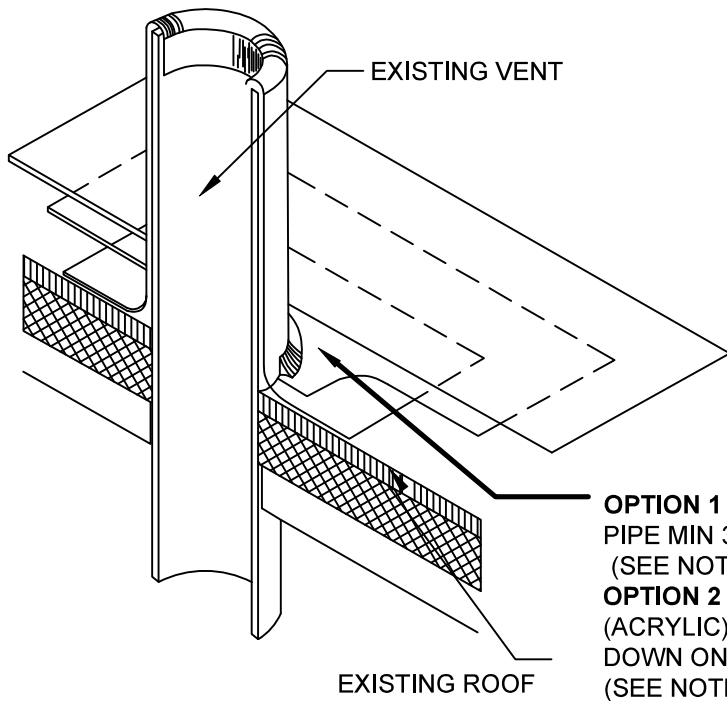
SHEET:

SD-03

SKYLIGHT

NOTES:

1. SOME ROOF SURFACES WILL REQUIRE A PRIMER APPLICATION BEFORE THE PENETRATIONS CAN BE SEALED



OPTION 1 - APPLY ESSENTIAL SILICON MASTIC UP PIPE MIN 3" & DOWN ONTO ROOF SYSTEM
(SEE NOTE 1)
OPTION 2 - 3 COURSE WITH ESSENTIAL MASTIC (ACRYLIC) & ESSENTIAL FABRIC UP PIPE MIN 3" & DOWN ONTO ROOF SYSTEM
(SEE NOTE 1)

**SILICONE
ROOF
DETAILS**

SEAL:

REV:

JOB NUMBER:

SCALE:

DATE: 09-25-19

DRAWN BY:

CHECKED BY:

SHEET:

SD-04

PLUMBING VENT

NOTES:

1. SOME ROOF SURFACES WILL REQUIRE A PRIMER APPLICATION BEFORE THE PENETRATIONS CAN BE SEALED

**SILICONE
ROOF
DETAILS**

SEAL:

REV:

JOB NUMBER:

SCALE:

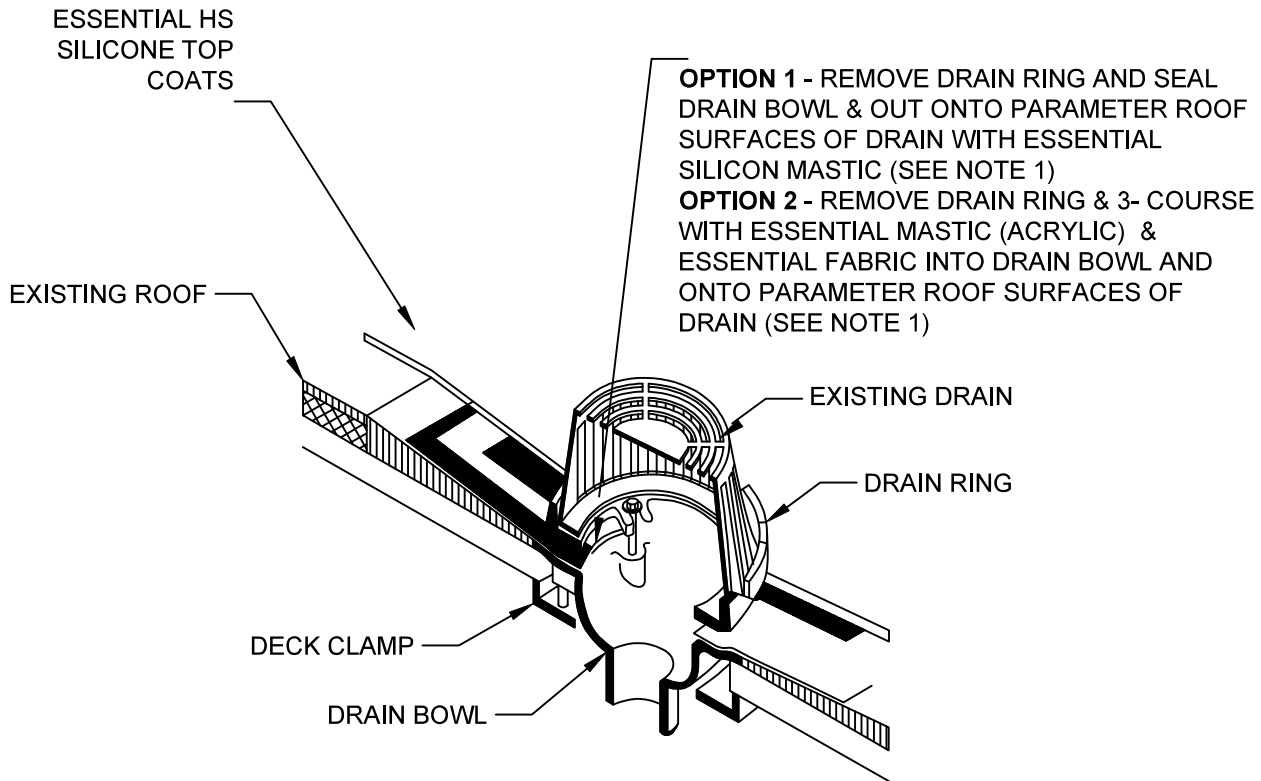
DATE: 09-25-19

DRAWN BY:

CHECKED BY:

SHEET:

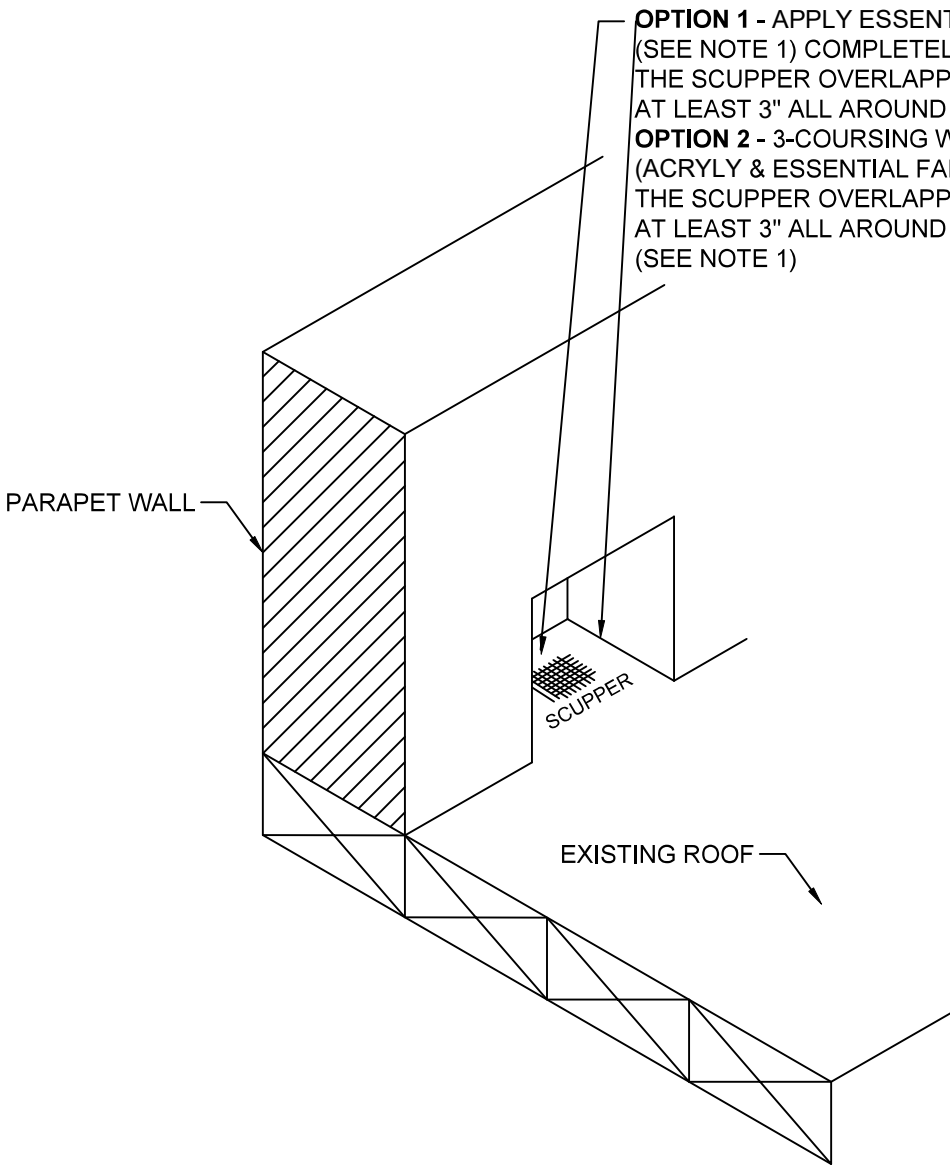
SD-05



ROOF DRAIN

NOTES:

1. SOME ROOF SURFACES WILL REQUIRE A PRIMER APPLICATION BEFORE THE PENETRATIONS CAN BE SEALED



OPTION 1 - APPLY ESSENTIAL SILICON MASTIC (SEE NOTE 1) COMPLETELY SEALING ALL SIDES OF THE SCUPPER OVERLAPPING OUT ONTO THE WALL AT LEAST 3" ALL AROUND ALL SIDES OF SCUPPER
OPTION 2 - 3-COURSING WITH ESSENTIAL MASTIC (ACRYLY & ESSENTIAL FABRIC COMPLETELY INSIDE THE SCUPPER OVERLAPPING OUT ONTO THE WALL AT LEAST 3" ALL AROUND ALL SIDES OF SCUPPER. (SEE NOTE 1)

SCUPPER

SILICONE ROOF DETAILS

SEAL:

REV:

JOB NUMBER:

SCALE:

DATE: 09-25-19

DRAWN BY:

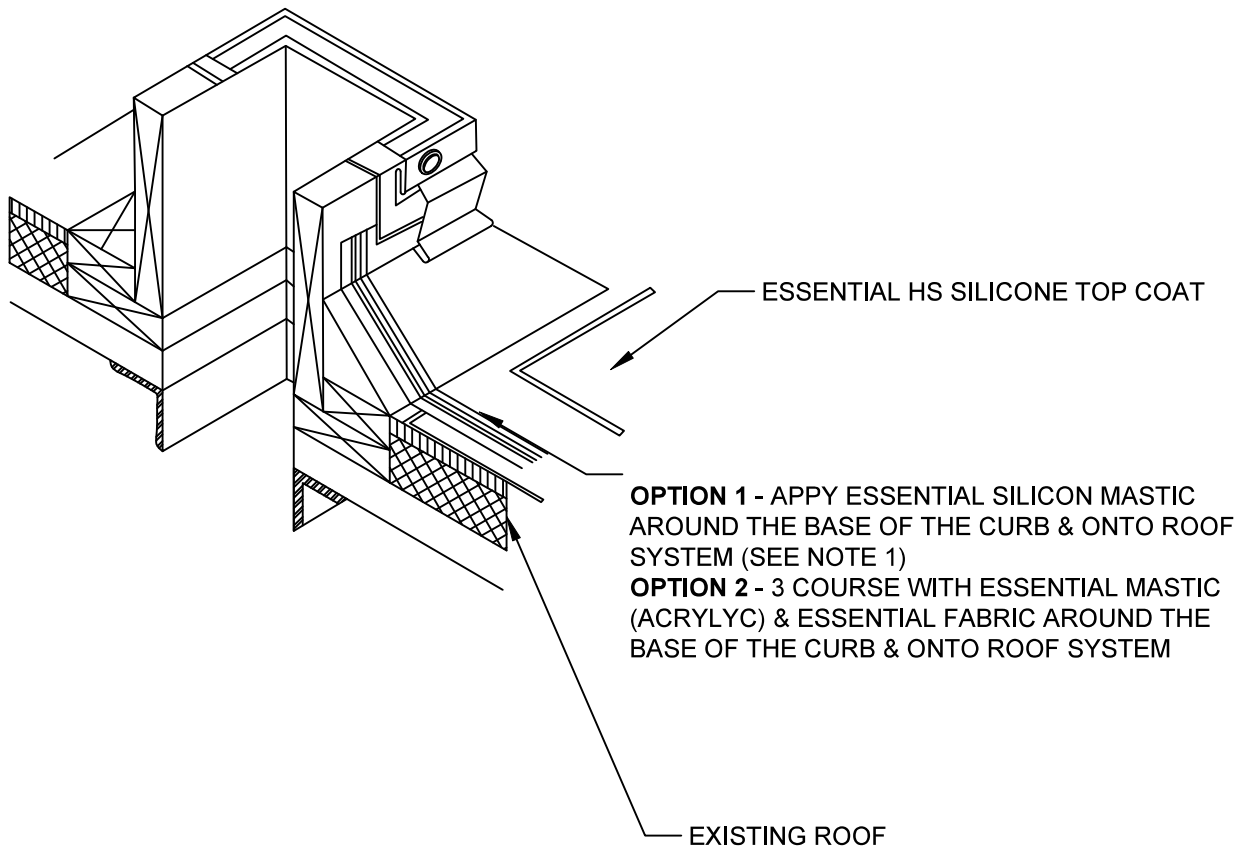
CHECKED BY:

SHEET:

SD-06

NOTES:

1. SOME ROOF SURFACES WILL REQUIRE A PRIMER APPLICATION BEFORE THE PENETRATIONS CAN BE SEALED



CURB

SILICONE ROOF DETAILS

SEAL:

REV:

JOB NUMBER:

SCALE:

DATE: 09-25-19

DRAWN BY:

CHECKED BY:

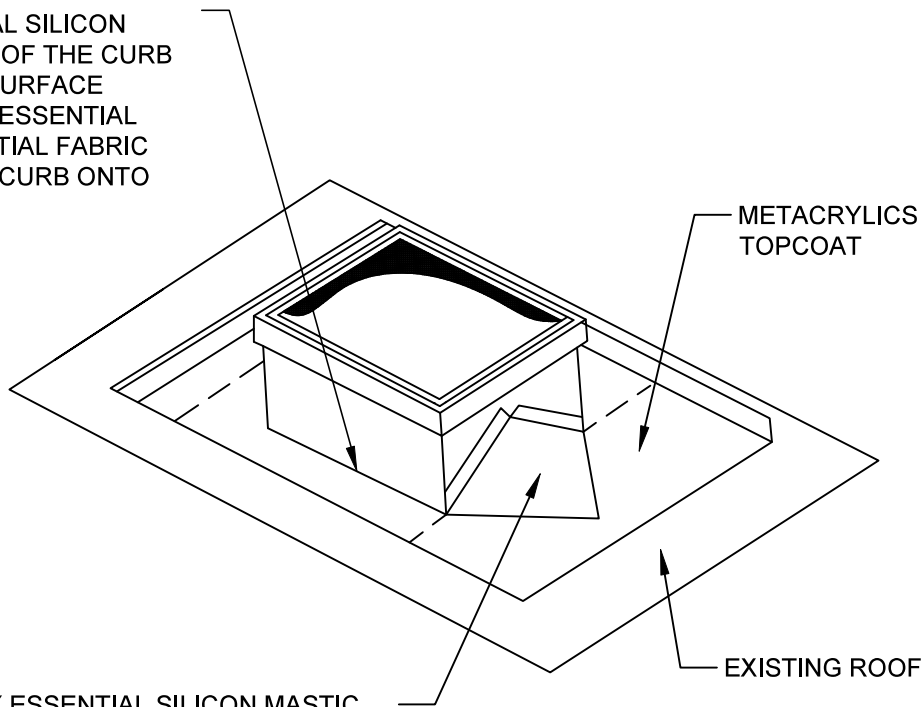
SHEET:

SD-07

NOTES:

1. SOME ROOF SURFACES WILL REQUIRE A PRIMER APPLICATION BEFORE THE PENETRATIONS CAN BE SEALED

OPTION 1 - APPLY ESSENTIAL SILICON MASTIC AROUND THE BASE OF THE CURB (SEE NOTE 1) ONTO ROOF SURFACE
OPTION 2 - 3 COURSE WITH ESSENTIAL MASTIC (ACRYLIC) & ESSENTIAL FABRIC AROUND THE BASE OF THE CURB ONTO ROOF SYSTEM



OPTION 1 - APPLY ESSENTIAL SILICON MASTIC AROUND PERIMETER OF CRICKET AND ALL CRICKET SEAMS (SEE NOTE 1)
OPTION 2 - 3 COURSE WITH ESSENTIAL MASTIC (ACRYLIC) & ESSENTIAL FABRIC AROUND PERIMETER OF CRICKET AND ALL CRICKET SEAMS

SILICONE ROOF DETAILS

SEAL:

REV:

JOB NUMBER:

SCALE:

DATE: 09-25-19

DRAWN BY:

CHECKED BY:

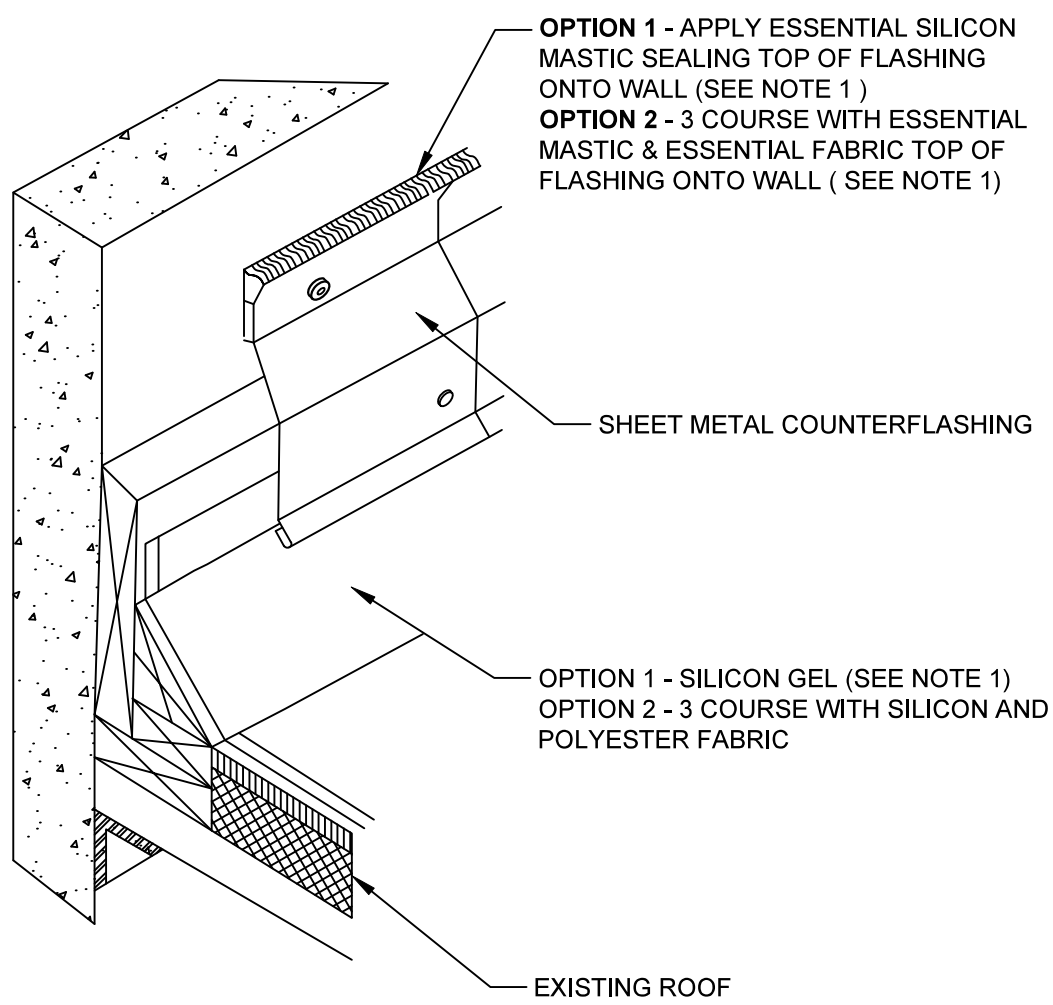
SHEET:

SD-08

EQUIPMENT CURB WITH CRICKET

NOTES:

1. SOME ROOF SURFACES WILL REQUIRE A PRIMER APPLICATION BEFORE THE PENETRATIONS CAN BE SEALED



SILICONE ROOF DETAILS

SEAL:

REV:

JOB NUMBER:

SCALE:

DATE: 09-25-19

DRAWN BY:

CHECKED BY:

SHEET:

SD-09

BASE FLASHING WITH COUNTER FLASHING

NOTES:

1. SOME ROOF SURFACES WILL REQUIRE A PRIMER APPLICATION BEFORE THE PENETRATIONS CAN BE SEALED

SILICONE
ROOF
DETAILS

SEAL:

REV:

JOB NUMBER:

SCALE:

DATE: 09-25-19

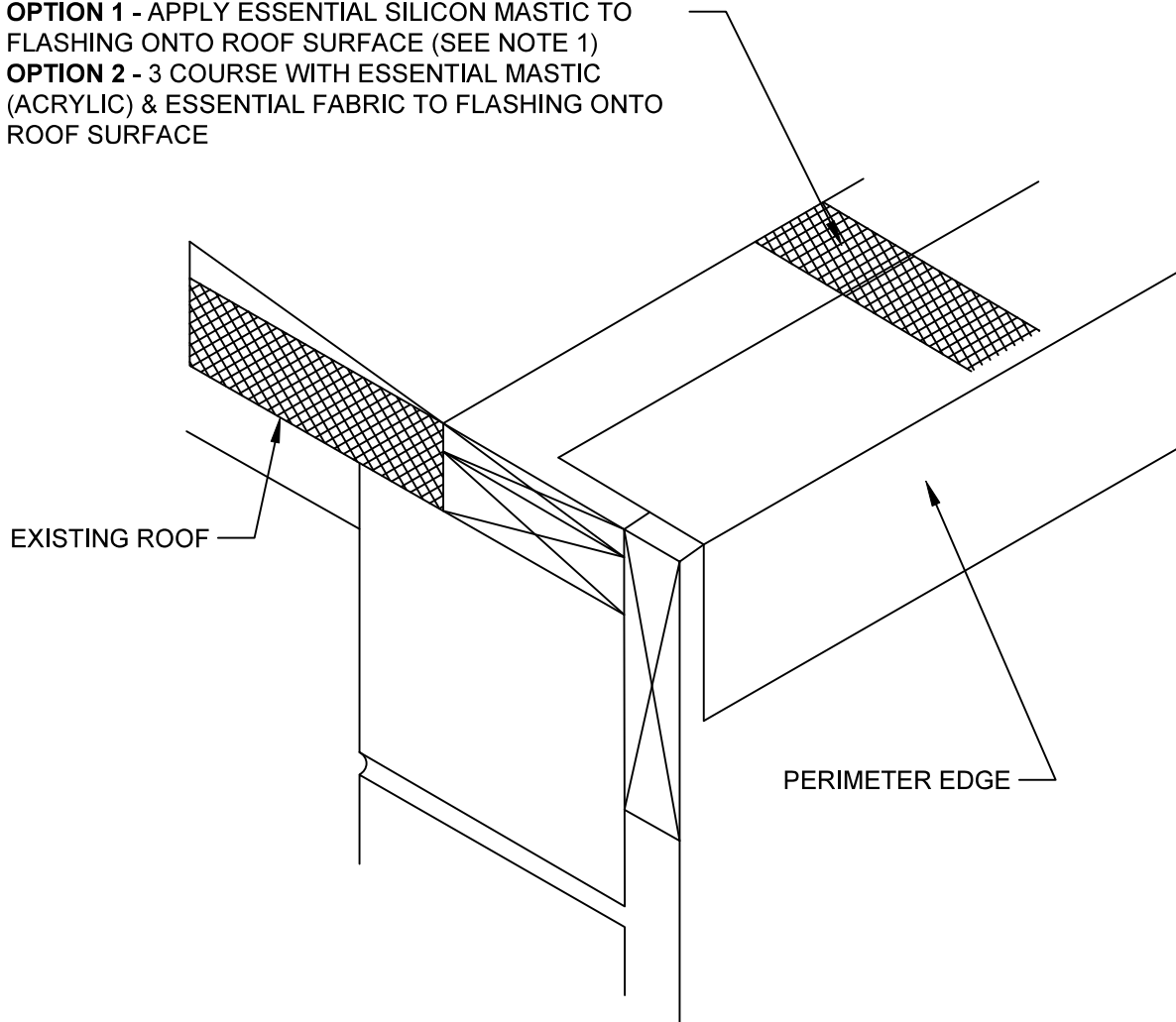
DRAWN BY:

CHECKED BY:

SHEET:

SD-10

OPTION 1 - APPLY ESSENTIAL SILICON MASTIC TO FLASHING ONTO ROOF SURFACE (SEE NOTE 1)
OPTION 2 - 3 COURSE WITH ESSENTIAL MASTIC (ACRYLIC) & ESSENTIAL FABRIC TO FLASHING ONTO ROOF SURFACE



ROOF PERIMETER EDGE

NOTES:

1. SOME ROOF SURFACES WILL REQUIRE A PRIMER APPLICATION BEFORE THE PENETRATIONS CAN BE SEALED
2. NEW METAL WITH OILY RESIDUE NEEDS TO BE TREATED WITH VINEGAR OR ACETONE TO REMOVE OILY RESIDUE & ENSURE PROPER ADHESION OF COATING

**SILICONE
ROOF
DETAILS**

SEAL:

REV:

JOB NUMBER:

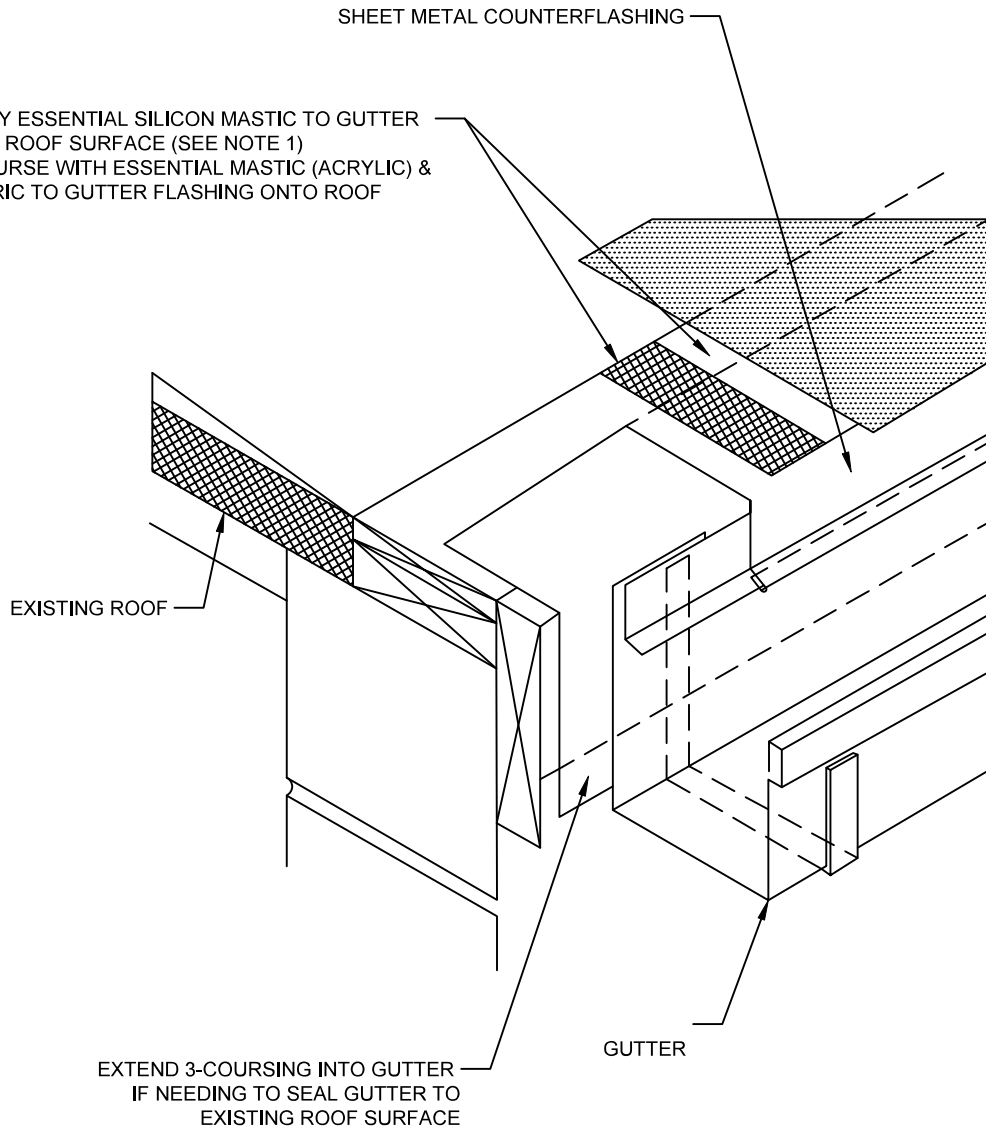
SCALE:

DATE: **09-25-19**

DRAWN BY:

CHECKED BY:

SHEET:
SD-11



GUTTER

NOTES:

1. SOME ROOF SURFACES WILL REQUIRE A PRIMER APPLICATION BEFORE THE PENETRATIONS CAN BE SEALED
2. NEW METAL WITH OILY RESIDUE NEEDS TO BE TREATED WITH VINEGAR OR ACETONE TO REMOVE OILY RESIDUE & ENSURE PROPER ADHESION OF COATING