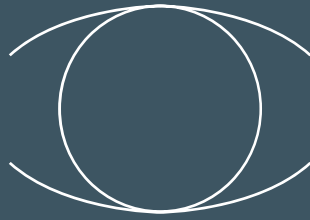




FARO // GENERAL CATALOGUE

SOLUTIONS
FOR DENTISTRY



ILLUMINATION
DENTAL LIGHTS



EVA

A NEW DIMENSION
OF LIGHT ON DENTAL
TREATMENTS



EVA TUNABLE WHITE

EVA recreates the ideal vision for a perfect balance of colour and depth. You can recognize every little detail of biological tissues, outlines and surfaces in an elliptical spot that is specific for the oral cavity.

EVA marks a **new age of technology** by offering the highest standard of visual comfort and lighting experience to the medical team and the patient.



FOUR COLOUR TEMPERATURES



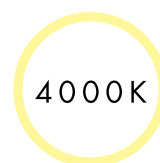
5700K

IDEAL FOR HIGH CONCENTRATION AND 3D PERCEPTION FOR TOOTH SHADES DETECTION, PROSTHETICS AND CONSERVATIVE.



5000K

IDEAL FOR ORTHODONTICS, CONSERVATIVE AND PEDIATRIC DENTISTRY.



4000K

IDEAL FOR SURGERY.



2700K

COMPOSIVE TO AVOID CURING.

EVA SUNLIGHT

THE ONLY ARTIFICIAL LIGHT ABLE TO REPRODUCE THE REAL SOLAR LIGHT*

EVA Sunlight provides a new generation of Sunlike LED, to benefit from the illumination, colour rendering and well-being as similar as the natural sunlight. It drives the operator through tiny details for an increasingly reliable, efficient and comfortable view.

The bright bulb on the head shows the level of illumination in use.



SUNLIKE TECHNOLOGY

*The visible fraction only

EVA CAM

THE ULTIMATE DENTAL LIGHT WITH
INTEGRATED CAMERA
DESIGNED BY DENTISTS FOR DENTISTS



INTEGRATED CAMERA



EVA CAM is the operating lamp with integrated professional camera available in **SUNLIGHT** and **TUNABLE WHITE** versions. Ideal for real time pics and videos to share and compare live and remotely.

THE ALL- IN - FOCUS OR MANUAL FOCUS

- Stable focus with a wide field
- Precise focus on the point of interest
- No need to seek for the focus compared to the autofocus

CHARACTERISTICS

- Easy and intuitive native software for Windows, Mac and Android
- Access and share photo and video via email on any device without editing
- Foot pedal with cable wireless (optional)

RESOLUTION	4K
VIDEO FORMAT	MP4
PHOTO FORMAT	JPG
STANDARD OPTICS	25 mm
OPTIONAL OPTICS	16 mm



EVA CAM IS ALSO AVAILABLE IN THIS VERSIONS:

- TheiaTech
- Dental unit and ceiling
- Joystick, auto-on and sensor

EVA CAM THEIATECH®

Integrating 54 LEDs in the rear arm of EVA enables the synchronization of the two lamps for a balanced vision in the pre-operating area, reducing visual and postural fatigue for the doctor, assistant and patient due to shifts in the light and position.



DESIGN

PATENT PENDING N. EP20172786.4



3D head rotation
> 360° to illuminate every corner of the mouth



Soft touch finger print
Safe and comfortable grip



Rectangular section
modern metal line



Handles
removable and autoclavable

Bright bulb
shows the exact level of illumination and colour temperature in use



TECHNICAL FEATURES

	EVA SUNLIGHT		EVA TUNABLE WHITE		
	5000K	4000K	5000K	5700K	COMPOSAVE
POWER AC	24 Vac 50/60 Hz - 26 VA (40VA)**				
POWER DC	32 Vdc 14 VA (28VA)**				
LIGHT SPOT DIMENSION (AT 700 MM)	190x100	190x100			
LUX (AT 700 MM)	50.000	50.000			11.000
NET SHADOW S-FX	10x5mm	10x5mm			
COLOR TEMPERATURE (K)	5000	4000	5000	5700	2700
CRI	97	95	95	96	96
Rf	97	93			
Rg	100	102			
ROTATION SYSTEM	3 rd axis	3 rd axis			
HEAD ROTATION > 360°	●	●			
MEMORIZATION OF THE LAST LUX LEVEL	●	●			
BRIGHT INDICATOR FOR ILLUMINATION (GEM)	●	●			
BRIGHT INDICATOR FOR COLOR TEMPERATURE (GEM)		●			

Medical Device – class 1
Limited Warranty. Check the general conditions of sale and user manual.

*The technical data indicated are typical values subject to tolerance
** Values refer to the THEIATECH® version

EVA VERSIONS

EVA TW - DENTAL UNIT VERSION	CODE
EVA TW dental light, arm 82 cm, with joystick, dental unit version	5U1300000
EVA TW dental light, arm 82 cm, with sensor switch, dental unit version	5U1302000
EVA TW THEIA TECH dental light, arm 82 cm, with joystick, dental unit version	5U1400000
EVA TW THEIA TECH dental light, arm 82 cm, with sensor switch, dental unit version	5U1402000

EVA TW - CEILING VERSION	CODE
EVA TW dental light, arm 82 cm, with joystick, ceiling version	5C1300000
EVA TW dental light, arm 82 cm, with sensor switch, ceiling version	5C1302000
EVA TW THEIA TECH dental light, arm 82 cm, with joystick, ceiling version	5C1400000
EVA TW THEIA TECH dental light, arm 82 cm, with sensor switch, ceiling version	5C1402000

EVA SL - DENTAL UNIT VERSION	CODE
EVA SL dental light, arm 82 cm, with joystick, dental unit version	5U1310000
EVA SL dental light, arm 82 cm, with sensor switch, dental unit version	5U1312000
EVA SL THEIA TECH dental light, arm 82 cm, with joystick, dental unit version	5U1410000
EVA SL THEIA TECH dental light, arm 82 cm, with sensor switch, dental unit version	5U1412000

EVA SL - CEILING VERSION	CODE
EVA SL dental light, arm 82 cm, with joystick, ceiling version	5C1310000
EVA SL dental light, arm 82 cm, with sensor switch, ceiling version	5C1312000
EVA SL THEIA TECH dental light, arm 82 cm, with joystick, ceiling version	5C1410000
EVA SL THEIA TECH dental light, arm 82 cm, with sensor switch, ceiling version	5C1412000

Note: EVA and EVA Cam are also available with 96 cm arm

EVA VERSIONS

EVA CAM TW - 4K CAMERA - DENTAL UNIT VERSION	CODE
EVA CAM 4K TW dental light, arm 82 cm, with joystick, dental unit version	5U1360100
EVA CAM 4K TW dental light, arm 82 cm, with sensor switch, dental unit version	5U1362100
EVA CAM 4K TW THEIA TECH dental light, arm 82 cm, with joystick, dental unit version	5U1460100
EVA CAM 4K TW THEIA TECH dental light, arm 82 cm, with sensor switch, dental unit version	5U1462100

EVA CAM TW - 4K CAMERA - CEILING VERSION	CODE
EVA CAM 4K TW dental light, arm 82 cm, with joystick, ceiling version	5C1360000
EVA CAM 4K TW dental light, arm 82 cm, with sensor switch, ceiling version	5C1362000
EVA CAM 4K TW THEIA TECH dental light, arm 82 cm, with joystick, ceiling version	5C1460000
EVA CAM 4K TW THEIA TECH dental light, arm 82 cm, with sensor switch, ceiling version	5C1462000

EVA CAM SL - 4K CAMERA - DENTAL UNIT VERSION	CODE
EVA CAM SL 4K dental light, arm 82 cm, with joystick, dental unit version	5U1370100
EVA CAM SL 4K dental light, arm 82 cm, with sensor switch, dental unit version	5U1372100
EVA CAM SL 4K THEIA TECH dental light, arm 82 cm, with joystick, dental unit version	5U1470100
EVA CAM SL 4K THEIA TECH dental light, arm 82 cm, with sensor switch, dental unit version	5U1472100

EVA CAM SL - 4K CAMERA - CEILING VERSION	CODE
EVA SL CAM 4K dental light, arm 82 cm, with joystick, ceiling version	5C1370000
EVA SL CAM 4K dental light, arm 82 cm, with sensor switch, ceiling version	5C1372000
EVA SL CAM 4K THEIA TECH dental light, arm 82 cm, with joystick, ceiling version	5C1470000
EVA SL CAM 4K THEIA TECH dental light, arm 82 cm, with sensor switch, ceiling version	5C1472000

Note: EVA and EVA Cam are also available with 96 cm arm

EVA VERSIONS

EVA - TROLLEY VERSION	CODE
EVA TW dental light with joystick for trolley version	5S2000000
EVA SL dental light with joystick for trolley version	5S2010000
EVA TW dental light with sensor for trolley version	5S2002000
EVA SL dental light with sensor for trolley version	5S2012000
EVA CAM 4K TW dental light with joystick for trolley version	5S2060000
EVA CAM 4K TW dental light with sensor for trolley version	5S2062000
EVA CAM 4K SL dental light with joystick for trolley version	5S2070000
EVA CAM 4K SL dental light with sensor for trolley version	5S2072000

FARO SCREEN



Quick and easy installation thanks to the snap-mounting with "plug and play" clips.

The mirror can be instantly hidden by turning the front plate

DESIGN AND FUNCTIONALITY - ALL IN ONE

Designed specifically for the **EVA** lamp, **FARO Screen** improves communication with the patient, avoiding any contamination to the head light.

The integrated mirror improves the communication with the patient in order to:

- **INFORM ABOUT THE PATHOLOGIES**
- **EXPLAIN THE THERAPIES**
- **UNDERSTAND HIS EXPECTATIONS**

AVAILABILITY

FARO SCREEN - head light protection screen with mirror for EVA

CODE

510135



THE INNOVATIVE LED LIGHTING SYSTEM WHICH ENHANCES THE VIEW RANGE IN DENTAL PRACTICE WORKING AREA.



THEIATECH is the innovative LED lighting system which enhances the view range of the pre-operative area, through a lighting balance inside the dental practice in order to **reduce the doctor's visual stress**.

THEIATECH was designed by FARO to work in synergy with EVA: the level of illuminance of the arm is synchronized with the head light in order to ensure a **uniform illumination over the entire working area**.



—
Switching on and off is synchronized with the head light (or independently)

—
Automatic memorization of light intensity

—
The instruments area is now well illuminated and sudden light changes are avoided.



+1.500 LUX

AVAILABILITY	PAGE
EVA SL THEIATECH dental light - EVA TW THEIATECH dental light	17
EVA CAM 4K SL THEIATECH - EVA CAM 4K TW THEIATECH	18



Sidèrea SUNLIGHT

LED ROOM LIGHT
DENTAL

THE FIRST "SOLAR SPECTRUM" *
CEILING LED LIGHT TO REPRODUCE
THE NATURAL SUN DAYLIGHT.

AN ARTIFICIAL LIGHT ABLE TO REPLICATE IN QUALITY THE TRUE NATURAL ONE OF THE SUN is the essential doctor's ally to examine the oral cavity in details while **operating in safety and psycho-physical comfort, for the overall visual and postural well-being** of himself, the team and the patient.

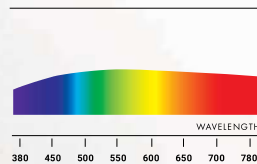
THE MULTIDIRECTIONAL LIGHT enables a balanced illumination and proportionate diffusion in the room avoiding shadows and "cave effect".

24 MONTH
WARRANTY

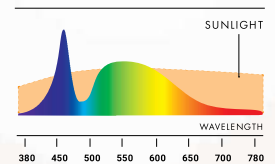


6500K DIRECT LIGHT AND 4000K INDIRECT LIGHT, to create the most suitable environment for every doctor.

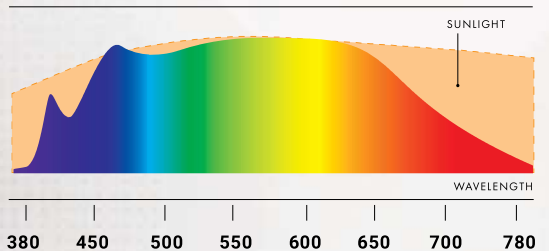
SUNLIGHT SPECTRUM



SPECTRUM LED LIGHTS ON THE MARKET



SIDÈREA SUNLIGHT SPECTRUM



*The visible fraction only



SIDÈREA SLIM

SIDÈREA

LIGHT INTENSITY EASY TO ADJUST

according to the practice preference and conditions by:

REMOTE CONTROL

5 pre-set/default lighting scenarios, rewritable by the user.

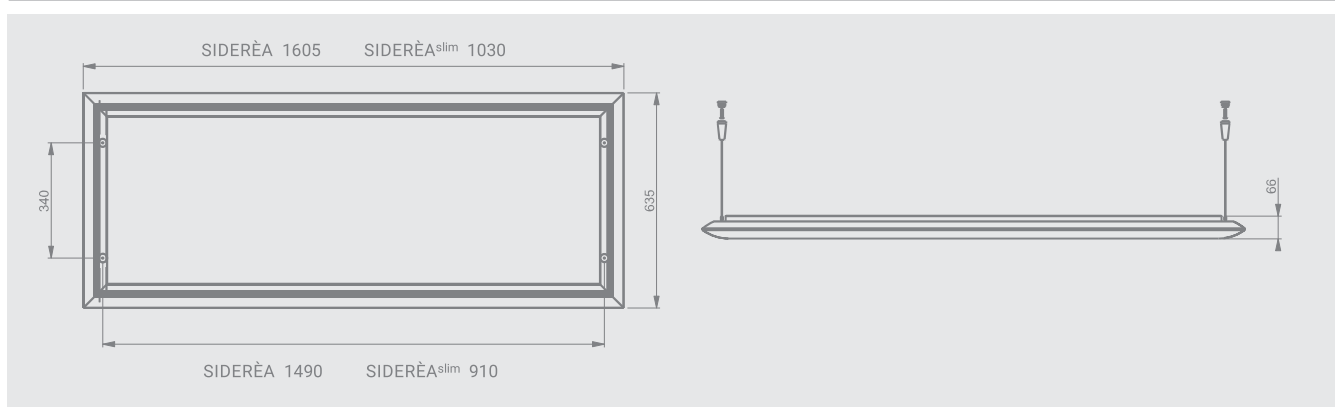


SIDÈREA APP

Free setting via iOS and Android mobile.



AVAILABILITY	CODE
SIDÈREA dental LED room light	54000000
SIDÈREA ^{slim} dental LED room light	54010000



TECHNICAL FEATURES

GENERAL SPECIFICATIONS*	SIDÈREA SUNLIGHT	SIDÈREA SUNLIGHT SLIM
POWER	Max 300 W	Max 200 W
DIMENSIONS	1.605 x 645 mm	1.030 x 645 mm
WEIGHT	18 Kg	14.5 Kg
LUX	Up to 3.000 LUX (at a distance of 1.4m)	Up to 2.200 LUX (at a distance of 1.4m)
COLOUR TEMPERATURES	Indirect 4.000 K / Direct 6.500 K	
TM 30	Rf 97.3 Rg 100.3	
UGR	<10	
MEMORIZATION OF LAST ILLUMINATION LEVEL	•	•
NO FLICKER SYSTEM	•	•

In compliance with EN 12464-1 and EN 62471.

*(The technical data indicated are typical values subject to tolerance)

LED ROOM LIGHT
DENTAL

NEW

Sidèrea BKL

BACTERIAL KILLER

WELLNESS AND SAFETY IN A SINGLE CEILING LIGHT

Sidèrea BKL is the brand new FARO ceiling light that merges the comfort of solar spectrum lighting with disinfection of surfaces, using **near-UVA LED** technology capable of **reducing bacteria and viruses** in the dental office.

EFFICACY PROVEN IN THE LABORATORY

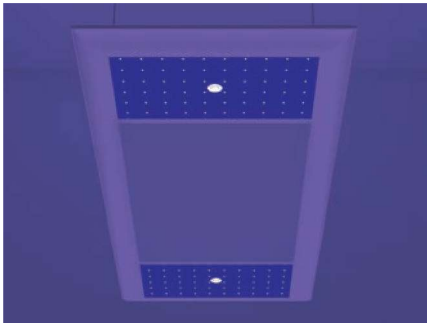
In the *Departments of Molecular Medicine and Development and Medical Biotechnology of the University of Siena* **Sidèrea BKL** was tested on the **SARS-COV-2** virus and on the **Escherichia coli** and **Staphylococcus aureus** bacteria.



24 MONTH
WARRANTY



TECHNOLOGY



LIGHT SPECTRUM FOR EXCELLENT CONTRAST AND DETAIL VISION

Sidèrea BKL **guarantees a more realistic solar spectrum lighting with double illuminant** to offer a **homogeneous and proportionate lighting** avoiding both shadow areas and “cave” effect.

DISINFECTING AND REDUCING BACTERIA AND SARS-COV-2 WITH NEAR-UVA LED LIGHT

The lighting technology features are integrated with the **near-UVA beam disinfection function**, thus transforming the ceiling light into an instrument to **prevent and reduce the risk of cross-contamination** from viruses and bacteria enclosed environments.

THREE DEDICATED CYCLES FOR THE DISINFECTION PROCESS



SHORT CYCLE	15 MINUTES
AVERAGE CYCLE	90 MINUTES
LONG CYCLE	180 MINUTES



DIRECT AND INDIRECT LIGHTING

Multidirectional light for a homogeneous and proportionate illumination of the environment.

CUSTOM ILLUMINATION

Adjustable light intensity according to the surgery conditions and operating time, thanks to the **remote control** with 5 light scenarios pre-configured by FARO and rewritable by the user.

**The visible fraction only*

AVAILABILITY	CODE
SIDÈREA BKL dental LED room light	54020000

TECHNICAL FEATURES *

GENERAL SPECIFICATIONS*	SUNLIGHT MODE	BKL MODE
POWER	200 W	300 W
DIMENSIONS	1.605 x 645 mm	
WEIGHT	18 Kg	
LUX	Up to 2.200 LUX (at a distance of 1,4 m)	N/A
COLOUR TEMPERATURES	6.500 K	N/A
TM 30	Rf 97.3 Rg 100.3	N/A
UGR	<10	N/A
MEMORIZATION OF THE LAST ILLUMINATION LEVEL	●	N/A
NO FLICKER SYSTEM	●	N/A
NUMBER OF DISINFECTION CYCLES	N/A	3
PROGRAMMING OF DISINFECTION CYCLES	N/A	●
WI-FI CONNECTION	N/A	●
MAXIMUM DISINFECTANT EFFICACY**	N/A	99,5
PHOTOBIOLOGICAL EN 62471 RISK LEVEL	0	2

* The technical data reported, unless otherwise indicated, refer to the sunlight mode and represent typical values subject to tolerance.

RED Regulations directive 2014/53/EU

** Departement of Molecular and Developmental Medicine: EVALUATION OF VIRUCIDE ACTIVITY AGAINST SARS-COV-2 OF nUVA CEILING LAMP BY FARO - TEST ON nUVA-A CEILING LAMP BY FARO.

LIGHTING SYSTEM

3 INTERACTING LIGHTS

The three light sources that **work in sync** creating the right balance of light in room.

**FARO PATENTED
SYNCHRONIZATION SYSTEM
PATENT PENDING N. IT202017000070648**

1 SIDÈREA SUNLIGHT

LED ROOM LIGHT

The first “solar spectrum” ceiling LED light to reproduce the natural Sun daylight.



2 EVA - EVA CAM

OPERATING LED LIGHT

The operating light that reproduces the sun spectrum up to 95%, ensuring the best determination of the colouring.



3 THEIATECH

PRE-OPERATIVE LED LIGHT

The innovative lighting system which improves visibility in the working area, reducing the doctor’s visual stress.

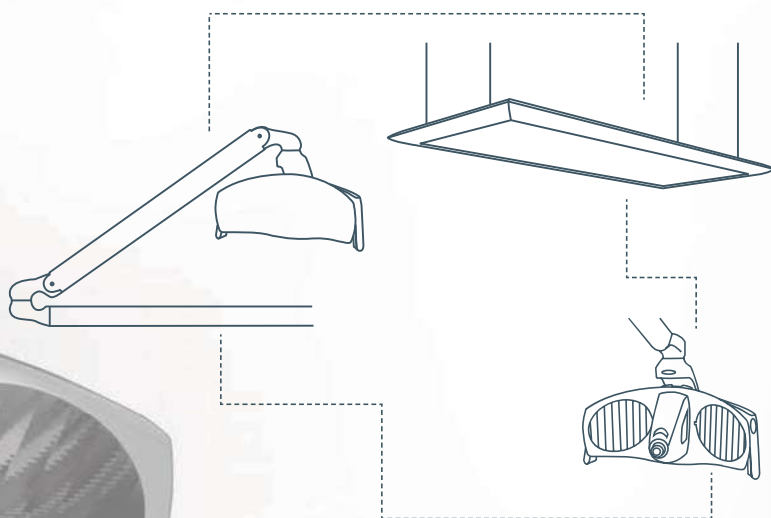


#THE3INTERACTINGLIGHTS

1 SIDÈREA SUNLIGHT

2 EVA CAM

3 THEIATECH



COMPOSITION	PAGE
EVA operating LED light	12
THEIATECH pre-operative LED light	21
SIDÈREA LED room light	22



ZIVA

DENTAL LED
ROOM LIGHT

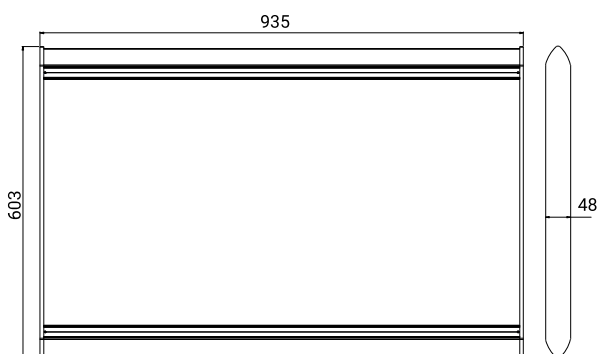
THE IDEAL SOLUTION FOR THOSE
LOOKING FOR A CEILING FIXTURE
WITH HIGH PERFORMANCE
AT A COMPETITIVE PRICE.





The innovative magnetic fixing system makes the ceiling installation extremely easy and intuitive, just as the "Suspension Kit"* allows to easily convert ZIVA into a ceiling lamp. The dual installation mode allows ZIVA to be positioned on any type of ceiling.

Extremely intuitive and easy to use, the APP, compatible with iOS and Android operating systems, will allow the operator to select the optimum level of light and to store and use the configured scenarios.



AVAILABILITY	CODE
ZIVA dental LED room light	54030000
Optional: ZIVA suspended cables	540320

TECHNICAL FEATURES **

POWER SUPPLY	220/240 Va – 50/60 Hz
POWER	Max 240 W
DIMENSIONS	935x603x48 mm
WEIGHT	8 Kg
LIGHTING VALUE	Up to 3.100 Lux (at a distance of 1.45 m)
COLOUR TEMPERATURE	5.500 K
COLOUR RENDERING INDEX	> 90

* Optional

** (The technical data given represent typical values subject to tolerance)

Product in Compliance with Directive 2015/53/EU



ZIVA SLIM

LED CEILING LIGHT
FOR DENTAL LABORATORIES

DESIGNED FOR THOSE WHO CREATE PERFECT,
DISTINCTIVE WORK.

ZIVA SLIM is the ceiling light designed for dental practices to meet the main needs of the professional:

- **NO SHADOWS IN THE WORKING AREA**
- **HOMOGENEOUS ILLUMINATION THAT IS FLICKER-FREE, IR-FREE AND UV-FREE**
- **REAL CORRESPONDENCE AND COLOUR PERCEPTION**
- **BETTER VIEW OF DENTINE AND ENAMEL AREAS**
- **INCREASED EVIDENCE OF THREE-DIMENSIONALITY**
- **SUSPENSION FIXING FOR A PERMANENTLY FREE WORK SURFACE**



TECHNOLOGY

HOMOGENEOUS LIGHTING WITHOUT SHADOW AREAS

The ZIVA SLIM dental ceiling light uses latest generation technologies to provide **homogeneous lighting that is proportional** to the work environment, **reducing both the shadow areas** as well as operator **stress and visual fatigue**.



ACCURACY OF COLOURS AND SURFACES

The **colour rendition index > 90** and the **colour temperature of 5,500 K**, enable a **realistic determination and perception of color** and greater definition of **details**.

LIGHT UP YOUR WORKSTATION WITH A TOUCH

The touch sensor placed on the side profile of the lamp allows:

- **ON/OFF**
- **ADJUSTMENT OF LIGHT INTENSITY**



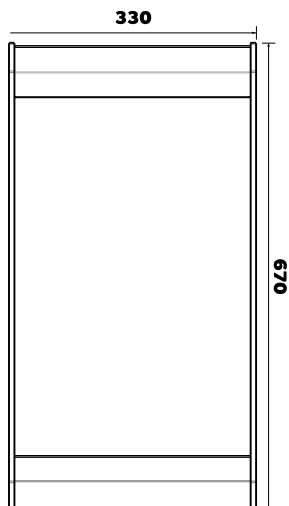
AVAILABILITY

ZIVA SLIM LED ceiling light for dental laboratories

CODE

540330000

TECHNICAL FEATURES



POWER SUPPLY VOLTAGE	220/240 Va – 50/60 Hz
POWER ABSORBED	80 W
DIMENSIONS	330x670x50 mm
WEIGHT	3,8 Kg
LIGHTING	Up to 3,400 Lux (at a distance of 900 mm)
COLOUR TEMPERATURE	5,500 K
COLOUR RENDERING INDEX	> 90
MEMORIZATION OF LAST ILLUMINATION LEVEL	•

(The technical data given represent typical values subject to tolerance)
Product in Compliance with Directive 2014/30/UE - 2014/35/UE

MAIA



LED TECH

FARO TECHNOLOGY AND DESIGN ACCESSIBLE TO ALL

K	5.000 K*
S-FX	9x6 mm ellipse*
LUX	from 3.000 to 35.000*

*(typical values subject to tolerance)

AVAILABLE COLOURS:



RAL 9002

RAL 9003

RAL 9010

RAL 9016

SPECIAL
COLOURS

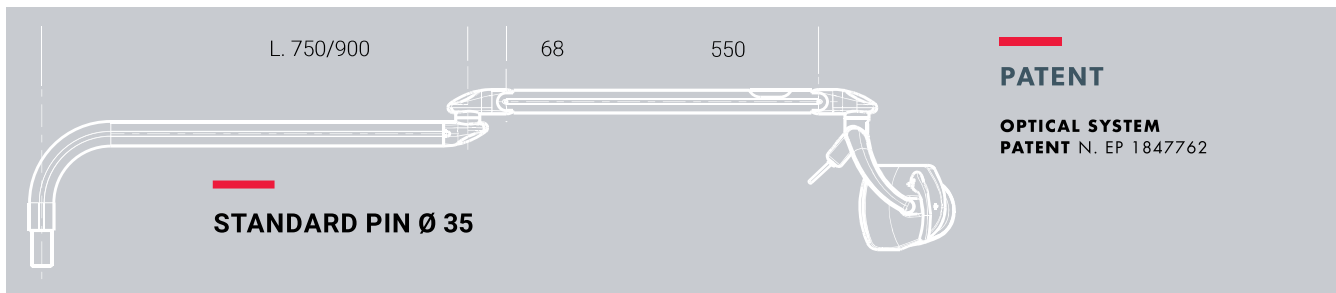
The ideal solution for anyone looking for a LED operating light with high performances at an affordable price. Faro patented Optical System and Design.

MAIA is equipped with a new electronic board for a perfect compatibility with the video acquisition systems and the diagnostic tools.

12 MONTH
WARRANTY

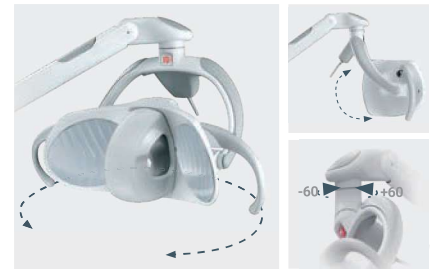
CE Medical Device complies to the directive 93/42/EEC
FARO S.p.A.: Via Faro, 15
20876 Ornago (Italy)

DESIGN



Handles
removable and autoclavable

2-D ROTATION OR 3-D AS AN OPTION
With the third axis rotation option it's possible to achieve a better positioning of the luminous flux.



ELECTRONIC CONTROLS



Switching control on the head

Automatic memorization of used light intensity, also after switching off the unit's power or after the "rinse" function



OPTIONALS

REMOTE CONTROL from the unit or by foot: allows to repeat all joystick functions

THREE-AXES ROTATION SYSTEM

24-MONTH-GUARANTEE EXTENSION

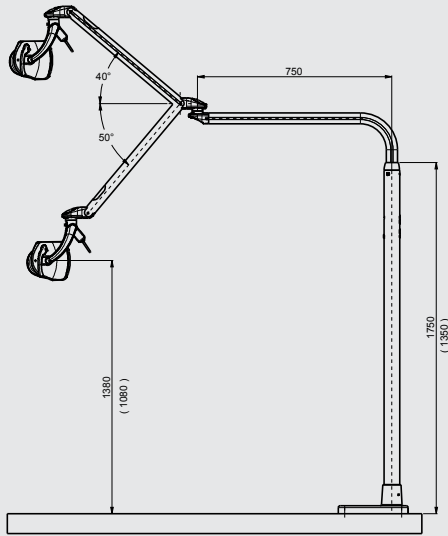
COMPLETE RAL COLOUR RANGE

TECHNICAL FEATURES *

POWER SUPPLY WITH TRANSFORMER	230 Vac +/- 10% - 50/60 Hz
POWER SUPPLY WITH/WITHOUT POWER PACK	90-264 Vac - 47-63Hz / 17-24 Vac - 50-60 Hz 22-35 Vdc
ABSORBED POWER	max 9 VA
LIGHTING SOURCE	2 LED
LIGHTING SPOT	170 x 95 mm (from the distance of 700 mm)
COOLING SYSTEM	Static heat sink (no fan required)
HANDLES	Removable and autoclavable

Medical Device complies with Directive 93/42/EEC and s.m.i. - Medical devices - class I
Applied Standards: EN 60601-1, EN 60601-1-2, EN 60825, EN 62471; Guaranteed 12 months
*(The above specifications are typical values subject to tolerance)

MAIA VERSIONS



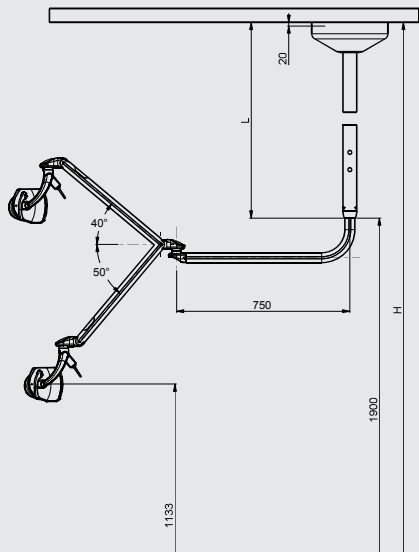
MAIA LAMP 75 AND 90 CM ARM DENTAL UNIT VERSION

Switching control from unit or
by foot control, with or without
transformer versions available

3RD AXIS MOVEMENT
VERSION AVAILABLE

MAIA 75 UNIT WITHOUT TRANSFORMER	CODE
MAIA dental light, arm 75 cm, without transformer, with sterilizable open handles	320010300
MAIA dental light, arm 75 cm, without transformer, switching auto-on from dental unit and with sterilizable open handles	322010300
MAIA dental light, arm 75 cm, without transformer, with sensor switch and with sterilizable open handles	320110300
MAIA 90 UNIT WITHOUT TRANSFORMER	CODE
MAIA dental light, arm 90 cm, without transformer, with sterilizable open handles	320020300
MAIA dental light, arm 90 cm, without transformer, switching auto-on from dental unit and with sterilizable open handles	322020300
MAIA dental light, arm 90 cm, without transformer, with sensor switch and with sterilizable open handles	320120300
MAIA 75 UNIT WITH TRANSFORMER	CODE
MAIA dental light, arm 75 cm, with transformer, with sterilizable open handles	320410300
MAIA dental light, arm 75 cm, with transformer, switching auto-on from dental unit and with sterilizable open handles	322410300
MAIA dental light, arm 75 cm, with transformer, with sensor switch and with sterilizable open handles	320510300
MAIA 90 UNIT WITH TRANSFORMER	CODE
MAIA dental light, arm 90 cm, with transformer, with sterilizable open handles	320420300
MAIA dental light, arm 90 cm, with transformer, switching auto-on from dental unit and with sterilizable open handles	322420300
MAIA dental light, arm 90 cm, with transformer, with sensor switch and with sterilizable open handles	320520300

MAIA VERSIONS



MAIA LAMP 75 AND 90 CM ARM CEILING VERSION

Switching control by proximity
with or without transformer
versions available

3RD AXIS MOVEMENT
VERSION AVAILABLE

MAIA 75 CEILING WITHOUT TRANSFORMER	CODE
MAIA dental light, arm 75 cm, without transformer, with sterilizable open handles	325010300
MAIA dental light, arm 75 cm, without transformer, with sensor switch and with sterilizable open handles	325110300
MAIA 90 CEILING WITHOUT TRANSFORMER	CODE
MAIA dental light, arm 90 cm, without transformer, with sterilizable open handles	325020300
MAIA dental light, arm 90 cm, without transformer, with sensor switch and with sterilizable open handles	325120300
MAIA 75 CEILING WITH TRANSFORMER	CODE
MAIA dental light, arm 75 cm, with transformer, with sterilizable open handles	325410300
MAIA dental light, arm 75 cm, with transformer, with sensor switch and with sterilizable open handles	325510300
MAIA 90 CEILING WITH TRANSFORMER	CODE
MAIA dental light, arm 90 cm, with transformer, with sterilizable open handles	325420300
MAIA dental light, arm 90 cm, with transformer, with sensor switch and with sterilizable open handles	325520300
MAIA TROLLEY VERSION	CODE
MAIA dental light with joystick for trolley version	309110000
MAIA dental light with sensor for trolley version	309111000

EDI

ALO TECH

ERGONOMIC DESIGN FOR A SHADOWLESS ALOGEN LIGHT

K	5.000 K*
S-FX	12x8 mm ellipse*
LUX	from 8.000 to over 25.000*

*(typical values subject to tolerance)

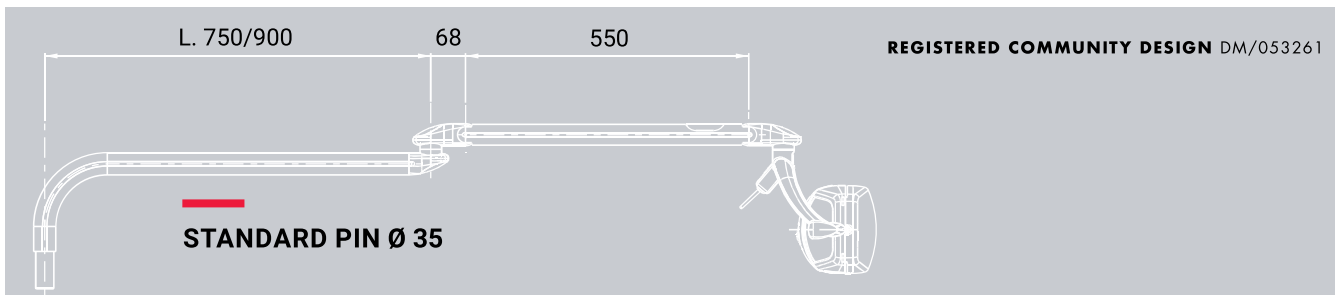
AVAILABLE COLOURS:



Advanced design and a powerful halogen light source scattered by a double glass dish. EDI has a sophisticated mechanism to facilitate the orientation of the light. Available with two or three axes movement.

CE Medical Device complies to the directive 93/42/EEC
FARO S.p.A.: Via Faro, 15
20876 Ornago (Italy)

DESIGN



2-D ROTATION OR 3-D AS AN OPTION

With the third axis rotation option it's possible to achieve a better positioning of the luminous flux.



ELECTRONIC CONTROLS



Switching control on the head or by proximity sensor

Microprocessor assisted **fan cooling system**

Opened Sterilizable or Fixed and Fork **handgrips**



OPTIONALS

THREE-AXES ROTATION SYSTEM

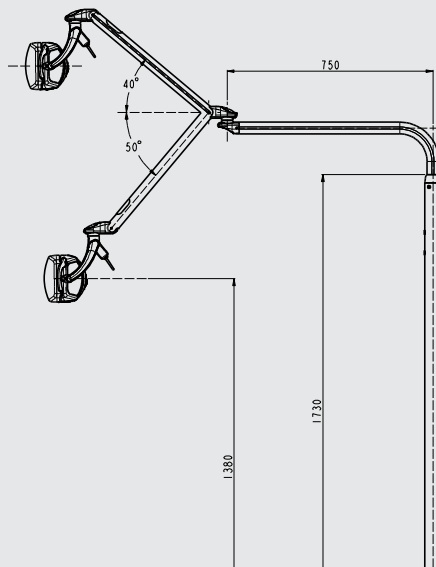
COMPLETE RAL COLOUR RANGE

TECHNICAL FEATURES *

POWER SUPPLY	17 Vac - 50/60 Hz
WITH TRANSFORMER	230 Vac - 50/60 Hz
ABSORBED POWER	105 VA
LIGHTING SOURCE	1 halogen 17 V - 95 W
LIGHTING SPOT	145 x 90 mm
COOLING SYSTEM	forced with fan
HANDLES	fixed or removable and autoclavable

Medical Device complies with Directive 93/42/EEC and s.m.i. - Applied Standards: EN 60601-1, EN 60601-1-2; Guaranteed 12 months
*(The above specifications are typical values subject to tolerance)

EDI VERSIONS



EDI LAMP

75 AND 90 CM ARM

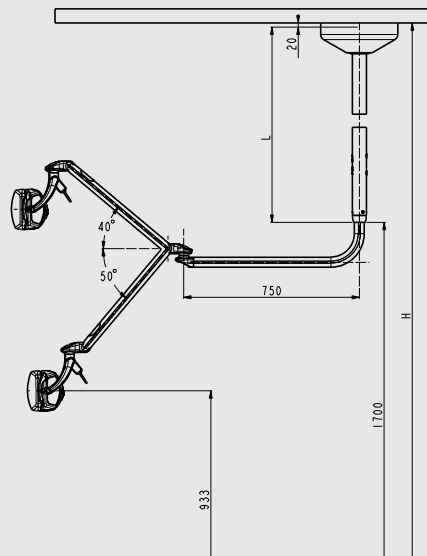
DENTAL UNIT VERSION

Switching control from unit or by foot control, with or without transformer versions available.

3RD AXIS MOVEMENT
VERSION AVAILABLE

EDI 75 UNIT WITHOUT TRANSFORMER	CODE
EDI dental light, arm 75 cm, without transformer, with sterilizable open handles	306010300
EDI dental light, arm 75 cm, without transformer, with sensor switch and with sterilizable open handles	306110300
EDI 90 UNIT WITHOUT TRANSFORMER	CODE
EDI dental light, arm 90 cm, without transformer, with sterilizable open handles	306020300
EDI dental light, arm 90 cm, without transformer, with sensor switch and with sterilizable open handles	306120300
EDI 75 UNIT WITH TRANSFORMER	CODE
EDI dental light, arm 75 cm, with transformer, with sterilizable open handles	306410300
EDI dental light, arm 75 cm, with transformer, with sensor switch and with sterilizable open handles	306510300
EDI 90 UNIT WITH TRANSFORMER	CODE
EDI dental light, arm 90 cm, with transformer, with sterilizable open handles	306420300
EDI dental light, arm 90 cm, with transformer, with sensor switch and with sterilizable open handles	306520300

EDI VERSIONS



EDI LAMP 75 AND 90 CM ARM CEILING VERSION

Switching control from unit or by foot control, with or without transformer versions available.

3RD AXIS MOVEMENT
VERSION AVAILABLE

EDI 75 CEILING WITHOUT TRANSFORMER

CODE

EDI dental light, arm 75 cm, without transformer, with sterilizable open handles

307010300

EDI dental light, arm 75 cm, without transformer, with sensor switch and with sterilizable open handles

307110300

EDI 90 CEILING WITHOUT TRANSFORMER

CODE

EDI dental light, arm 90 cm, without transformer, with sterilizable open handles

307020300

EDI dental light, arm 90 cm, without transformer, with sensor switch and with sterilizable open handles

307120300

EDI 75 CEILING WITH TRANSFORMER

CODE

EDI dental light, arm 75 cm, with transformer, with sterilizable open handles

307410300

EDI dental light, arm 75 cm, with transformer, with sensor switch and with sterilizable open handles

307510300

EDI 90 CEILING WITH TRANSFORMER

CODE

EDI dental light, arm 90 cm, with transformer, with sterilizable open handles

307420300

EDI dental light, arm 90 cm, with transformer, with sensor switch and with sterilizable open handles

307520300

MP3020

MEDICAL



LED TECH

LARGER SPOT FOR A WIDE VERSATILITY

K

5.000 K*

S-FX

ellipse of 9x6 mm*

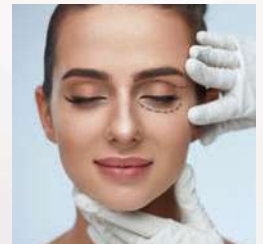
LUX

from 3.000 to 35.000*

*(typical values subject to tolerance)

A powerful LED technology scalytic light, with a very large illuminated field of 300 x 200 mm (with the light placed at 1 meter of distance), specifically designed for different uses, particularly in the areas:

- **MEDICAL**
- **PODOLOGIC**
- **VETERINARY**
- **AESTHETIC**

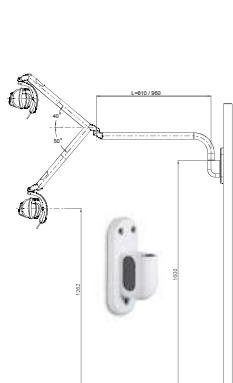


**12 MONTH
WARRANTY**

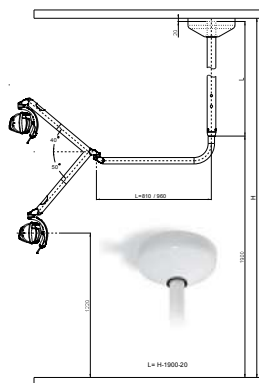


Medical Device complies to the directive 93/42/EEC
FARO S.p.A.: Via Faro, 15
20876 Ornago (Italy)

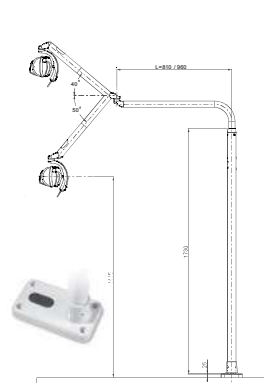
Thanks to a wide range of accessories MP3020 is available for WALL, CEILING and FLOOR applications.



WALL APPLICATION



CEILING APPLICATION



FLOOR APPLICATION



AVAILABILITY	CODE
Lamp MP3020 TS L = 810 on-off - DENTAL UNIT VERSION	42000000
Lamp MP3020 TS L = 810 on-off - CEILING VERSION	462110000
Lamp MP3020 with joystick for TROLLEY VERSION	309120000

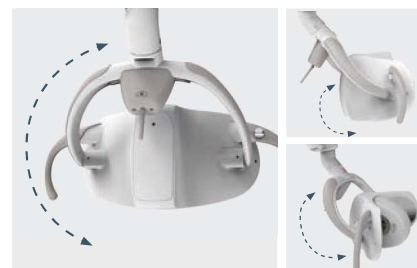
DESIGN



Handles
removable and autoclavable

3-D ROTATION

The perfect balance, combined with the unique patented 3-D rotation on the optical axis of the head, provides the best accuracy of the beam orientation, reducing the risk of accidental glare on the patient.



ELECTRONIC CONTROLS



Switching control and dimming: micro-joystick on the head

Electronic lighting adjustment by microprocessor

Sound signal at minimum and maximum light intensity

Remote control from the unit: allows to repeat all joystick functions

Automatic memorization of used light intensity, also after switching off the unit's power

Switching control and dimming version also from unit, or by foot control

Exclusive 'one touch' regulation to reach the minimum intensity with a simple 'click'

TECHNICAL FEATURES *

POWER SUPPLY	24Vac 50/60Hz - 24Vdc
ABSORBED POWER	max 9 VA
LUX	from 3.000 to 35.000 (at a distance of 1 m)
LIGHTING SPOT	300 x 200 mm (from the distance of 1 m)
COOLING SYSTEM	static heat sink (no fan required)

Medical devices - class I - Applied Standards: EN 60601-1, EN 60601-1-2, EN 62471; Guaranteed 12 months

*(The above specifications are typical values subject to tolerance)

OPTIONALS

EXTERNAL POWER SUPPLY

FOR MAIA AND MP 3020

A new small external power supply "world wide range" allows FARO LED LAMPS without transformer to connect directly to the network. The power supply can be easily placed in the unit or in the ceiling application.



EXTERNAL POWER SUPPLY

310460

POLIBLOCK

SPECIFIC MAIA AND MP 3020

Antipolimerization filter for composites.

- EASY TO FIT
- CHANGES THE LIGHT EMISSION SPECTRUM AVOIDING THE ACTIVATION OF THE COMPOSITES
- REDUCES THE EFFECT OF CURING BY OVER 99.9% ON RESINS WITH PHOTOACTIVATOR SENSITIVE BETWEEN 360 AND 520 NM
- STERILIZABLE AT 121°C (GUARANTEED UP TO 40 CYCLES)



POLIBLOCK, ANTI-POLIMERIZATION FILTER

310215

PERFLEX ADVANCED

A product dedicated to the cleaning and disinfection of dental lamps (in all its components) and sensitive surfaces of other medical devices, such as medical and dental units) and X-ray machines particularly with acrylic glass or metal surfaces.

The product free of alcohol and aldehydes and phenols is particularly suitable for surfaces sensitive to alcohol.



PERFLEX ADVANCED - SPRAY 500 ML

739369



EVA CAM OPTIONALS	CODE
USB connector - Ethernet	530253
LENS 16 MM	510579
USB 2.0 extension cable 10 m	510563

EVA OPTIONALS	CODE
FARO SCREEN	510135
POWER	530460



MAIA OPTIONALS	CODE
External Power Supply	310460
POLIBLOCK, anti-polimerization Filter	310215

MP3020 OPTIONALS	CODE
External Power Supply	310460
POLIBLOCK, anti-polimerization Filter	310215