



Customizing Family Fun



SKU#: BG-DS007

Dolphin Star

Quick Installation Guide

Easy Step-by-Step Assembly Instructions by Barron Games

Serial #: _____

Distributed By: _____

Sales Person: _____

Technical Service #: +1-716-866-0054



ASSEMBLY NOTES

1. Read the complete **Dolphin Star Instruction Manual** before assembling or playing
2. Ensure that there is sufficient space to place and shift the product prior to assembly
3. **Two adults** are recommended to assemble the product
4. Inspect and ensure all parts are securely attached before operating
5. Please Note: Children and pets should be kept away from assembly and internal pieces; this unit contains small parts that could be a potential choking hazard



TOOLS NEEDED



- **Dolphin Star Instruction Manual**

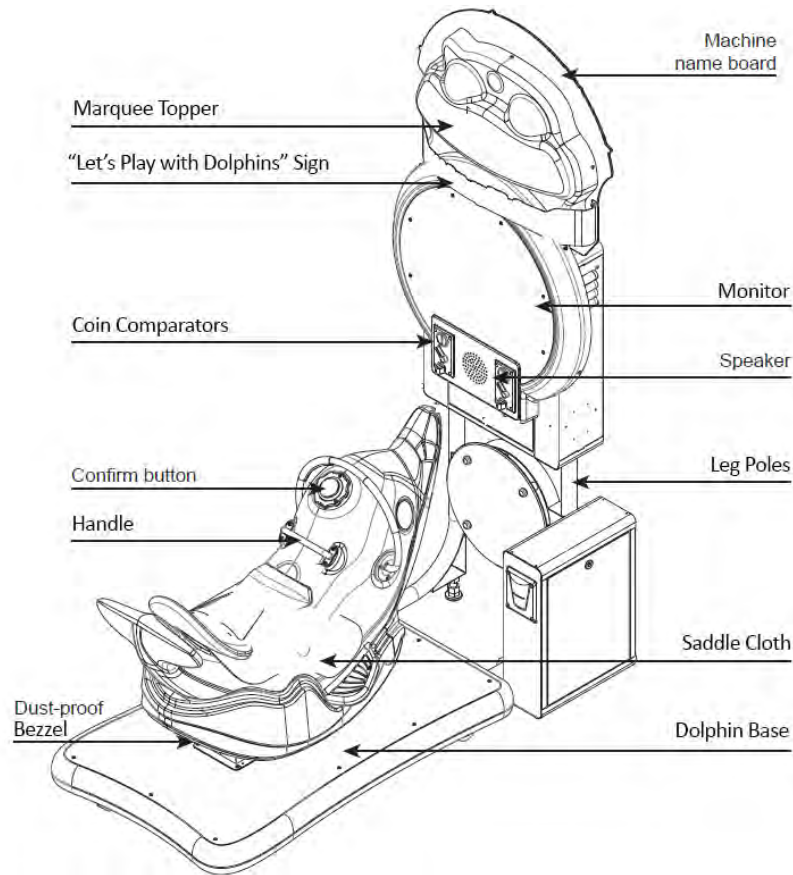


- **Ratchet or Socket Wrench**

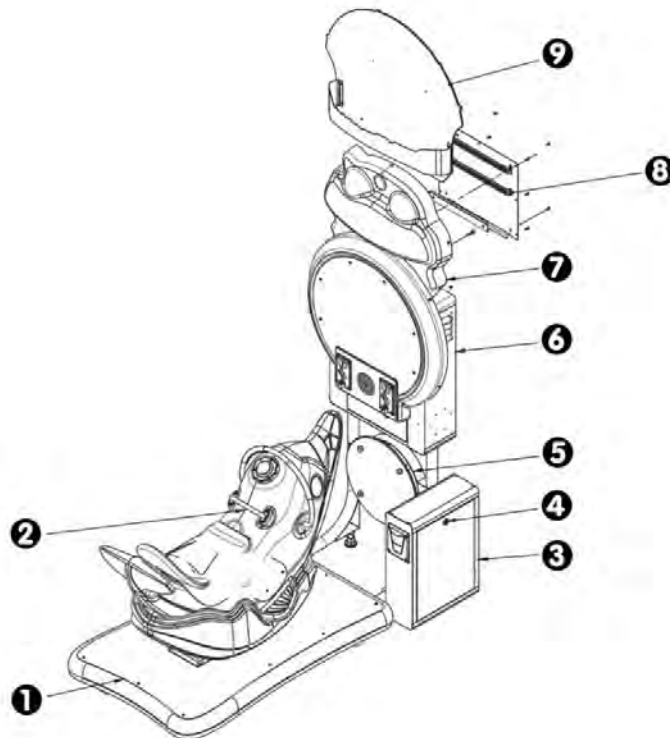
This machine is supplied with a full range of accessories to help you get started right away.

- Allen Large Flat Head Screws (M4 x8 chrome)
- Hex Domed Cap Nuts (M4 x8 chrome)
- Inner Hexagon Countersunk Head Screws (M4 x12 chrome)
- Master Keys (5555 Key)
- Power Cord – 3m (1.0m²) 250V
- Three Combination Screws, Round Head (M6 x25 chrome)

Product Specifications



1. Dolphin Base
2. Dolphin Body
3. Ticket Box
4. Ticket Box Lock
5. Decorative Star
6. Monitor Cabinet
7. Marquee Topper
8. Marquee Door
9. Machine Name Board



*Note: Dolphin Body/Saddle is available in both PINK and BLUE. For details on how to disassemble these parts individually, see the complete Dolphin Star Instruction Manual.

Step-by-Step Assembly Instructions

- 1. Unbox the Dolphin Star Unit.** Cut the straps and pull the cardboard off the pallet. Remove all parts and boxes from the package. Unit will contain 3 boxes, dolphin body, dolphin base, monitor cabinet, and a decorative star.



Contents:

Small Box – screws and other hardware for assembly

Medium Box – ticket box & brackets

Large Box – marquee topper & machine name board



Small Box with Hardware and Power Cord



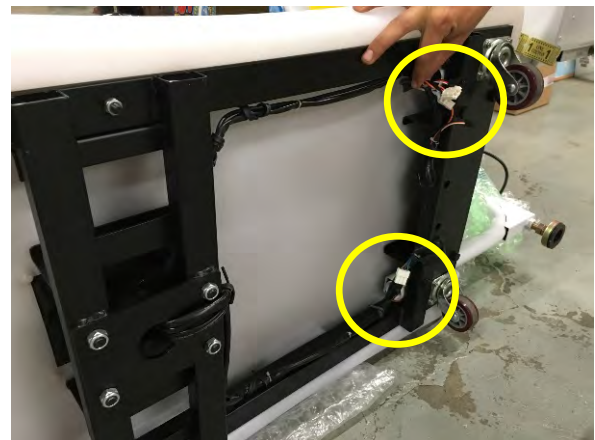
Packaged Separately: Dolphin, Base, Monitor

- 2. Install the Leg Poles.** Attach the white metal cabinet legs to the dolphin base. Secure with bolts using a socket wrench/ratchet.



- 3. Connect cabinet wires to base.** Tip the unit onto its side and gently feed the wires from the cabinet leg poles (inside the pole). **Note:** The connectors may be tucked deep in the poles; if needed, gently pull them completely through with a hook.

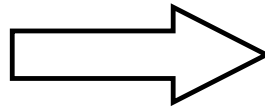
Connect the dolphin to the base using the three connectors on right side and one connector on the left side.



Step-by-Step Assembly Instructions

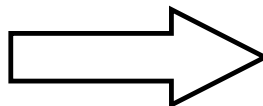
- Bolt the dolphin to the base.** Find the 2 long bolts, caps, and washers for the dolphin body. Both adults should lift up the dolphin so you can see through the holes; line it up with both sides. Place the washer onto the bolt and feed the bolt through one side first. Secure the bolt and repeat for the second hole.

Note: Line up the holes in the motor mount with the dolphin body.



*Note: For the purposes of this installation guide, the color of the dolphin is irrelevant.

- Attach the saddle.** Using the small hex socket counter-sunk screws (M4) and counter-sunk washers (M4); secure the saddle cloth at two points on both sides.

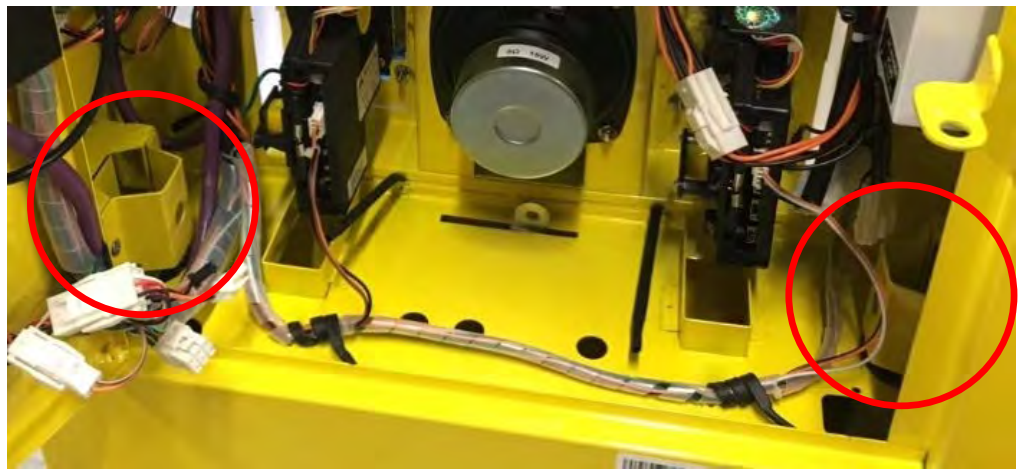
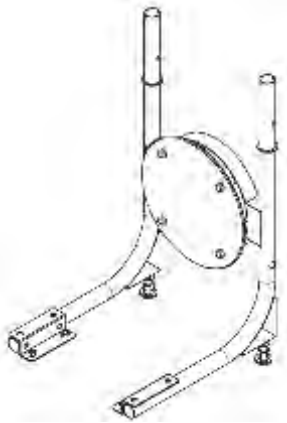


Step-by-Step Assembly Instructions

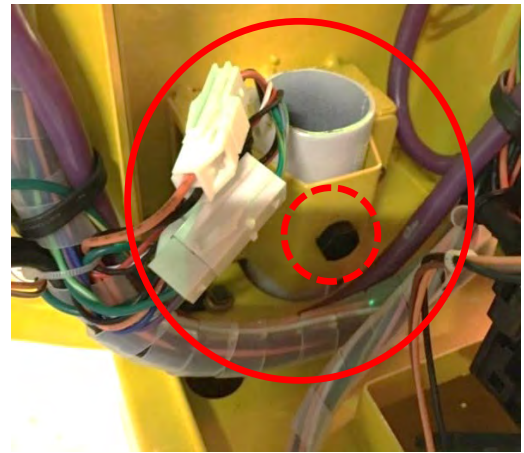
6. **Install the Monitor Cabinet.** Open the back of the monitor cabinet and loosen the side brackets that hold the leg poles. Slide the cabinet onto the leg poles. Using the two bolts provided, secure the bolt into the middle hole on each side and then tighten all the bolts on the brackets snugly to lock the cabinet into place. Connect all the wires that feed through the leg poles.

Please Note: The monitor cabinet must rest all the way down on the stoppers. If the legs get stuck, they may be getting caught up on wires inside. Twist the wires or cut the zip ties in order to feed the legs through the cabinet all the way down until it rests comfortably on its own.

WARNING - PINCH POINT: Be careful of your fingers on the bottom of the cabinet, they could get pinched if the poles slide down too fast. Two people are needed to assemble.

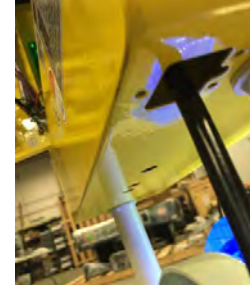


Press cabinet down until it hits the stopper.

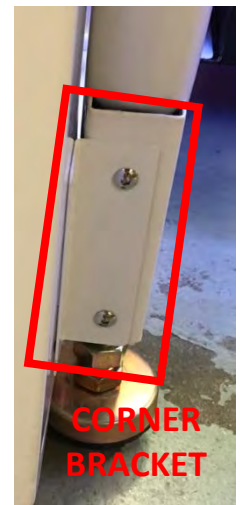
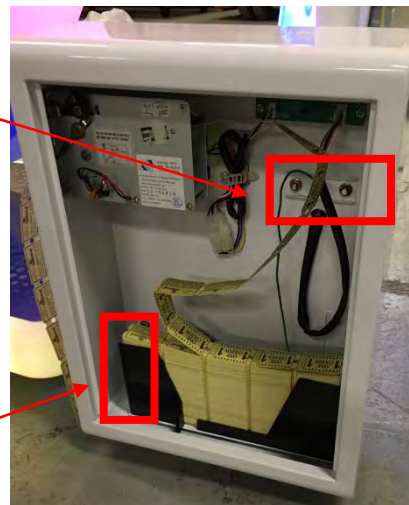
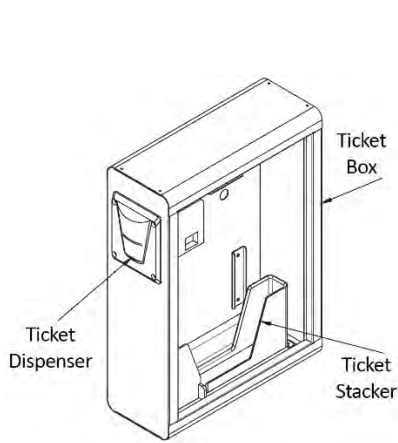


Step-by-Step Assembly Instructions

7. **Power Supply.** Locate the A/C Power Plug inside the cabinet to the right side. Temporarily loosen the silver bracket at its base to plug the cord into to the internal A/C Power Plug box. Temporarily remove the small yellow faceplate from the underside of the cabinet. Feed the power cord through the bottom of the cabinet and plug into the wall. Reaffix the bracket and plate.

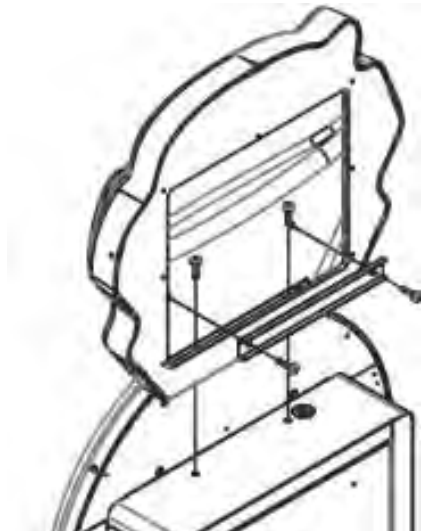


8. **Install Ticket Box.** Use two C-clamps (curved white metal brackets) to hold the ticket box around the poles, affix the two clamps from inside the box. Affix the outer corner bracket that connects the ticket box to the leg pole and gently tighten. Carefully feed the connection wires through the hole at the back of the ticket box (may need finessing). Connect all the wires and fill with tickets.



9. **Install Marquee Topper.** Unwrap the marquee topper and peel off the protective cover. Open the back panel door of the marquee. Attach white marquee bracket and secure onto the cabinet with four cross round-head screws [M6].

Note: Two of the four screws are used to attach the marquee bracket onto the back of the marquee.



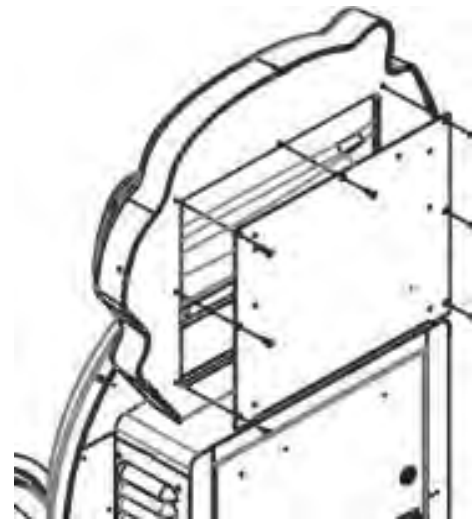
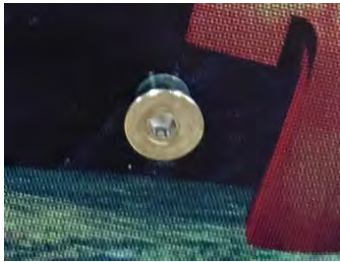
Step-by-Step Assembly Instructions

10. Open the back panel of the cabinet. Feed the connectors for the marquee topper up through the top of the cabinet. Similarly, pull the connector wires down through the hole from inside the marquee.

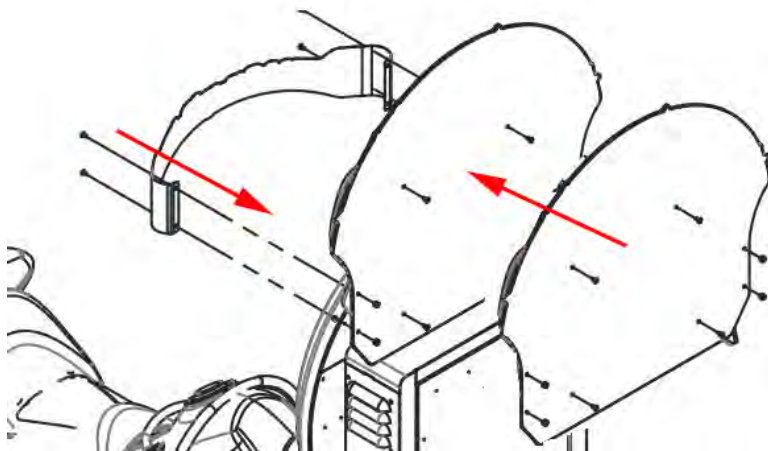
Attach the two connectors through their respective holes.



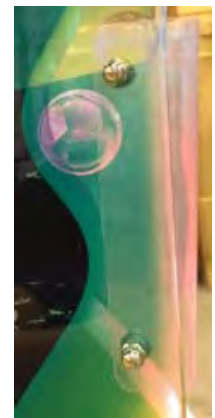
11. **Install Marquee Topper Cover.** Cover the marquee topper with the door and secure with seven (x7) allen countersunk-head screws [M4].



12. **Secure the Machine Name Board and “Let’s Play with Dolphins” Signs** onto the cabinet with four (x4) allen flat-head screws [M4] and 4 cap nuts [M4], respectively.



FRONT



BACK

Step-by-Step Assembly Instructions

13. Attach the Decorative Star by unscrewing the silver-capped screw. Once removed, place plastic washers in between the caps; affix the star with the existing screws.



14. Plug the machine into an outlet and turn the power switch to the “on” position (it’s located at the bottom of the A/C Power Plug inside the cabinet).

Please be patient; it may take a few minutes for the game demo mode to load and LEDs to activate inside the machine (light up base and dolphin).

15. **To program the settings and for additional operator instructions, please see the complete Dolphin Star Instruction Manual.**





**Barron Games International, LLC.
84 Aero Drive, Suite 5
Buffalo, NY 14225**

Phone: 1+716-866-0054

Fax: 1+716-630-0055

www.BarronGames.com

For Parts and Service, please contact us:

phone: 1+716-866-0054

email: Service@BarronGames.com