



SKU#: BG-FSBCO

U.S. Patent No. 9,144,733 (issued Sept. 29, 2015)

World Tour Coin-Operated Foosball

Instruction Manual

Assembly, Operation, and Care Instructions

Serial #: _____

Distributed By: _____

Sales Person: _____

Technical Service #: **+1-716-866-0054** _____

v. 041917

Inspect Immediately after Transporting the Product

After receiving the shipment, inspect the product thoroughly to ensure that it has been shipped with care. Before turning the power on, please check the following:

- Check the cabinet for damage or shifting that may have occurred during shipping. Are there any dented portions or defects (cuts, etc.) on the external surfaces of the cabinet?
- Are all the legs and adjusters/levelers/feet intact (often shipped inside the table with other accessories)?
- Do the power supply voltage and frequency requirements meet with those of the location (110V/220V)?
- Are all wires linked correctly and securely connected to each other? If coupled in an incorrect manner, the connection will not be made accurately and it could cause not only irreparable damage to the machine, but also is a potential fire hazard. **DO NOT INSERT CONNECTORS FORCIBLY.**
- Check that all the cables, including power cables, are undamaged. Do power cables or other wires have any splices, cuts, or dents?
- Have you been provided with all of the associated accessories? Tip: Most of the pieces required to assemble the table are shipped within the table. Use your table key to unlock the table and check parts for damage or other problems.
- Can all doors/lids be opened with the accessory keys? Can doors/lids be firmly closed? Does the coin box key open the coin box(es)?



Safety Instructions



- This equipment may contain hazardous voltage which can cause electrical shock. Only **qualified personnel*** should work inside the equipment.

*Note: Keep reading for a list of qualified personnel.

- To maintain personal safety and the safe operation of this product, read the entire manual before using it. The following instructions are intended for the users, operators, and the personnel in charge of the operation of the machine. **Be sure to keep this manual close to the product or in a convenient place for future reference.**



IMPORTANT NOTICES

- This product is intended for indoor use only
- This is NOT a child's toy; adult supervision is required for children to play this game. Children under 120cm (roughly 4ft) in height should not approach the table while it is in use, as this could be hazardous.
- Do not sit, climb, or lean on the table. Do not place anything, including people, on the top of the glass playfield cover.
- Do not drag the table when moving it, as this could damage the legs, levelers, or glass beyond repair.
- Do not place any food or drinks on the table. Use the cup holders provided.
- This game features flashing lights which may not be suitable for photosensitive epilepsy.

Definition of Site Maintenance Personnel or Other Qualified Individuals



WARNING

Servicing and maintenance work of the contents herein stated should be performed by the *SERVICEMAN* stipulated as per IEC Standard. Those who do not have technical expertise and knowledge other than the *SERVICEMAN* are not allowed to perform the work herein stated. Executing the aforementioned work by such non-technical personnel can cause serious accidents that may endanger life.

Replacing parts, maintenance inspections, and troubleshooting should be carried out by **Site Maintenance Personnel** or other **Qualified Professionals**. This manual includes directions for potentially dangerous procedures which should only be performed by professionals with appropriate and specialized knowledge.

The **Site Maintenance Personnel** or other **Qualified Professionals** mentioned in this manual are defined as follows:

- **Site Maintenance Personnel:** Individuals with experience in maintaining amusement equipment, vending machines, etc., working under the supervision of the owner and/or operator of this product. Maintenance Personnel frequently service machines within amusement facilities or similar premises by carrying out everyday procedures such as: assembly, maintenance inspections, and replacement of units or replaceable parts.
 - **Actions Approved for Site Maintenance Personnel:** Machine assembly, maintenance inspection, and replacement of units or replaceable parts.
- **Other Qualified Professionals:** Personnel employed by the amusement equipment manufacturer. Personnel may also have been involved in design, production, testing, or maintenance of said amusement equipment. This individual should have either graduated from a technical school or hold similar qualifications in electrical, electronics, or mechanical engineering.
 - **Actions Approved for Other Qualified Professionals:** Assembly, maintenance, inspection, and replacement of units or replaceable parts for amusement equipment and/or vending machines, including repair or adjustments of electrical, electronic, or mechanical parts.

Before Using This Product

Please be sure to read the following before using this machine, in order to ensure the safe operation of this product. The following instructions are intended for users, operators, and personnel in charge of the operation and maintenance of the machine. After carefully reading and sufficiently understanding the warning displays and cautions, please handle the machine appropriately. Be sure to keep this manual for future reference.

Qualified Personnel: Only personnel who have technical expertise should perform the work stated herein to avoid hazardous situations. The instructions state that site maintenance personnel should be the only personnel performing work. Please perform maintenance work in accordance with the stated instruction; provided instructions for maintenance work are to minimize risk and prevent accidents. Failing to perform work as stated within the Instruction Manual may potentially be dangerous to both maintenance personnel and users.

- **Be sure to turn off the power before working on the machine.** To prevent electric shock, be sure to turn the power off before carrying out any work that requires direct contact with the interior of the product. If the work is to be performed in the power-on status, the Instruction Manual will state to do so.
- **Be sure to ground the Earth Terminal.** This is not required in the case where a power cord with earth/ground is used.
- **Ensure the power supply used is equipped with an Earth Leakage Breaker.** This product does not incorporate an Earth Leakage Breaker. Using a power supply which is not equipped with an Earth Leakage Breaker can cause a fire when or if earth leakage occurs.
- **Before installing the product, check for electrical specifications; the product must meet the requirements.** Ensure the product is compatible with the power supply voltage and frequency requirements of the location. Using any electrical specifications that are different from the designated specifications can cause a fire and/or electric shock.
- **Install and operate the product where appropriate lighting is available, allowing warning and safety labels to be read clearly.** To ensure customer safety, labels and printed instructions describing potentially hazardous situations are applied to places where risk for potential accidents are increased.

If any label is peeled off, apply it again immediately. Please contact Barron Games Technical Support at 1+716-866-0054 or email service@barrongames.com if you are in need of new stickers or parts. Visit www.BarronGames.com for more information about Barron Games' Parts and Service Department.

INSTALLATION AND MAINTENANCE SAFETY

This product is an indoor game machine. **Do not install it outside.** Even indoors, avoid installing it in the places mentioned below, so as to avoid causing a fire, electric shock, machine malfunction, or even death. Do not install or maintain this product in/on/within/near:

- places subject to rain or water leakage, places subject to high humidity, or in the proximity of an indoor swimming pool, shower, steam room, etc.
- places subject to direct sunlight, places subject to high temperatures, or in the proximity of heat dispensing units or portable heating devices.
- places filled with inflammable gas, within the vicinity of highly flammable or volatile chemicals, or other hazardous materials.
- dusty places.
- sloped surfaces.
- places subject to any type of violent impact.
- the vicinity of anti-disaster solutions, such as fire exits and extinguishers.
- places where the operating (ambient) temperature range is not 5°C to 30°C (41°F to 86°F).
- places near water or spray from water (such as a jet wash, hot tub, or swimming pool).

To ensure maximum safety for the users and service personnel, ensure that where the product is operated has sufficient lighting to allow all safety labels to be read clearly. Operation under insufficient lighting is not advised.



ASSEMBLY

Important Notes

1. Read this Instruction Manual carefully before assembling or playing.
2. Ensure that there is sufficient space to place and shift the product prior to assembly
3. **Two strong adults** are recommended to assemble the product.
4. Inspect and ensure all parts are securely attached before rotating the table.
5. Please Note: Children and pets should be kept away from assembly and game pieces; this table contains small parts and balls that could be a potential choking hazard.
6. **Very Important: Only 1 ball may be inside the machine at a time.**
Please check to see if your machine was shipped with a ball inside the machine before inserting another ball. **The machine will not function if more than one ball is inside the mechanism.**



TOOLS NEEDED



- **Instruction Manual with Step-by-Step Assembly**



- **Two Strong Adults**



- **Double Open End Wrench (17x19mm)**



- **Nut Driver (8mm) – Included**



- **OR Socket Wrench / Ratchet (8mm)**



- **Rubber Mallet**



- **Hex Key / Allen Wrench – Included**



- **Lubricating Oil – Included**

*Note: Please retain the original packaging, so that it may be used for storage or transport later.

Assembly – Step A (Prepare the Table)

1. Carefully open the packaging carton. Open table at the hinges (like a chest) and remove all accessories from inside.

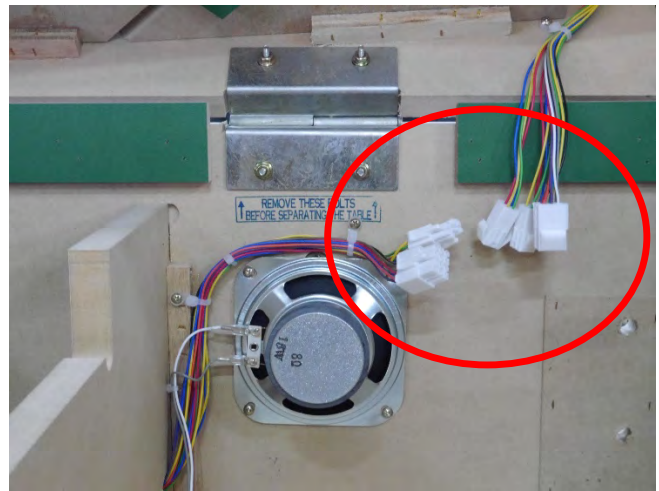
In order to assemble the legs, it is easiest to disassemble the table so only the bottom half the table needs to be rotated.

***Please note:** The interior mechanisms of your model table may vary in slightly appearance from the instruction photos.



TWO STRONG ADULTS are needed to assemble the table legs.

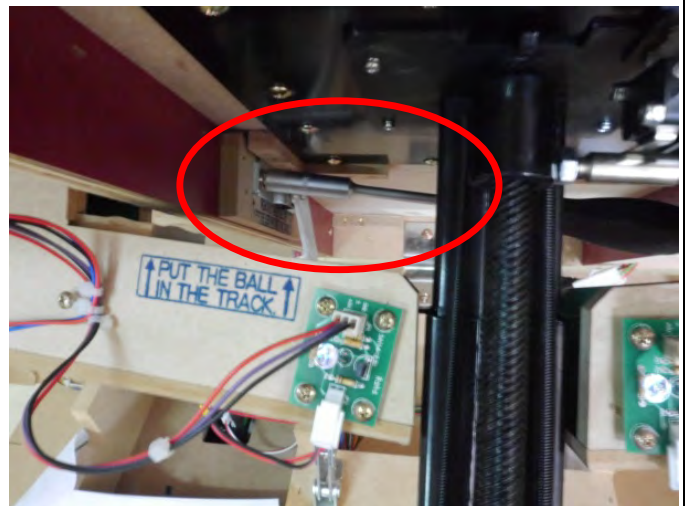
2. Disassemble all the air connectors from all wires that connect the upper and lower halves of the table.



3. Adult #2 should support the top half of the table while Adult #1 removes any additional connections.



4. Locate the bolts of the pneumatic lid-closer arm. The bolts are found on the top part of the table, near the track of the arm.



Assembly – Step A (Prepare the Table)

- Adult #2 should continue to hold the top half of table while Adult #1 removes the bolts from the arm (pneumatic lid-closer arm) at the top of the table. Only remove the bolts from the **TOP HALF** of table.

** Be sure to have a safe place to store all the screws and bolts for reassembly.



- Next, Adult #1 should remove the bolts on the rightmost hinge to separate the top half of the table.

The left and center hinges are detachable, you do not need to remove the screws, just slide apart to detach them.



The detachable ones unhinge like this:



- Ensure that all bolts, hinges, and air connectors that connect both halves of the table are disconnected. Then, lift the top half of the table and separate it from the bottom.



- Carefully set the top half of the table on a piece of cardboard out of the way (glass down). You will reattach the top half after attaching the legs to the bottom half.



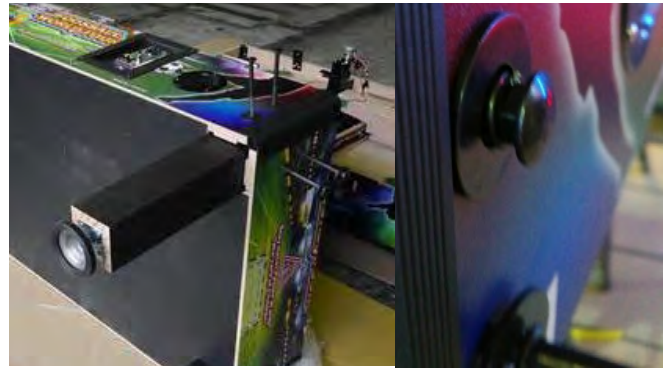
Assembly – Step A (Prepare the Table)

9. Assemble all 4 legs by attaching each foot. Screw 1 foot into the bottom of each leg.



10. Using both adults, turn the bottom of the table onto its side and affix the legs into the table using the (included) carriage bolts.

Be sure to place a washer between the bolt head and the cabinet.



11. After ensuring all of the legs are tightly secured, both adults should carefully lift and rotate the table to a standing position.



12. Next, both adults should lift the top half of table up and combine it with the bottom half of table.

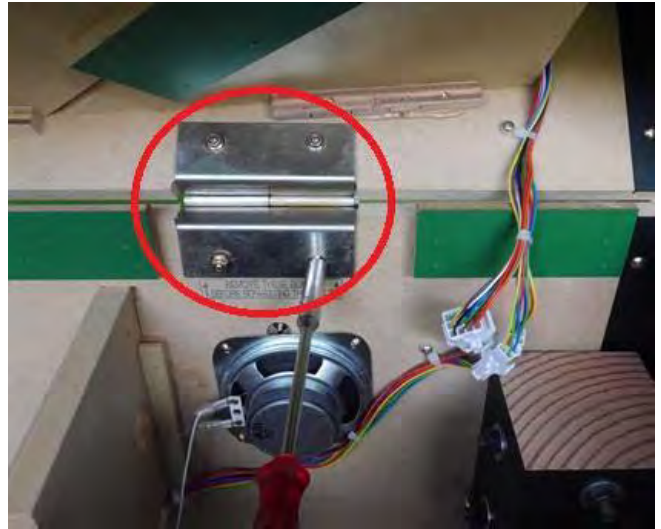


Assembly – Step ④ (Prepare the Table)

13. While Adult #2 holds the top half of the table, Adult #1 should reattach the 2 detachable hinges together to reconnect the table.



14. Finally, reattach the **RIGHTMOST** hinge.



15. Reattach the pneumatic arm at the top of the table.

Reconnect all the air connectors that link the top and bottom of the unit.



16. **If your table arrived partially assembled, you're ready to skip to Assembly Step ④.**

If you need to assemble the foosball players and rods, continue following these assembly instructions.



Assembly – Step B (Assemble the Rods & Players)

If your World Tour Foosball table did not come partially assembled with the foosball players and rods assembled in the table, please follow these additional instructions:

1. On the **RIGHT SIDE OF THE TABLE**, remove the bolts from the upper side (only from the **RIGHT** side).



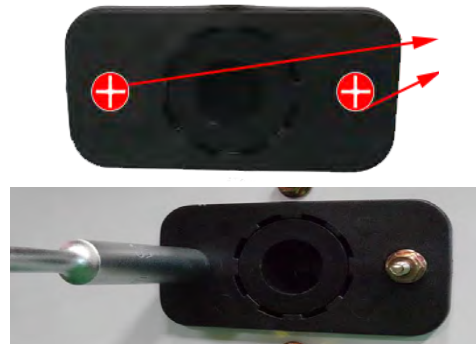
2. On the **RIGHT SIDE OF THE TABLE**, remove the end cap, corner pieces, and metal parts.



3. Carefully remove the tempered glass from the **RIGHT SIDE** of the table by sliding it toward you.



4. Reinstall the factory-removed black bearings on all the rod holes using a nut driver and hardware provided.

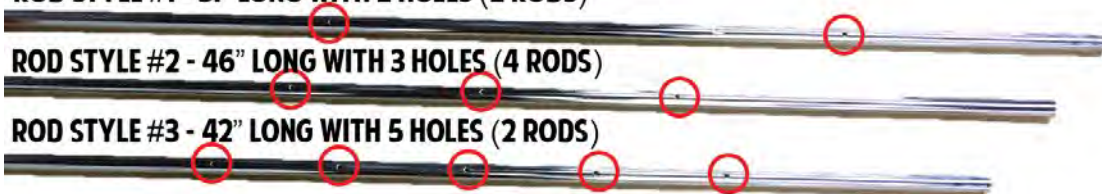


5. Begin to assemble the rods and the players. Sort the foosball player rods by length:

ROD STYLE #1 - 51" LONG WITH 2 HOLES (2 RODS)

ROD STYLE #2 - 46" LONG WITH 3 HOLES (4 RODS)

ROD STYLE #3 - 42" LONG WITH 5 HOLES (2 RODS)



Assembly – Step ③ (Assemble the Rods & Players)

Use this page as a guide for assembling the rods and foosball players.
Do not begin assembly until you have read ALL ASSEMBLY INSTRUCTIONS!

1

ROD STYLE #1 - 51" LONG WITH 2 HOLES (2 RODS)



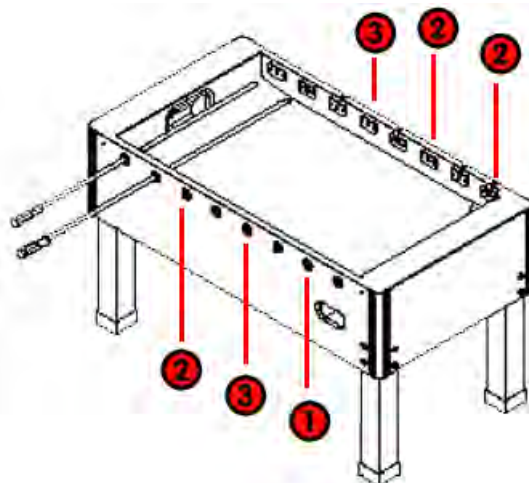
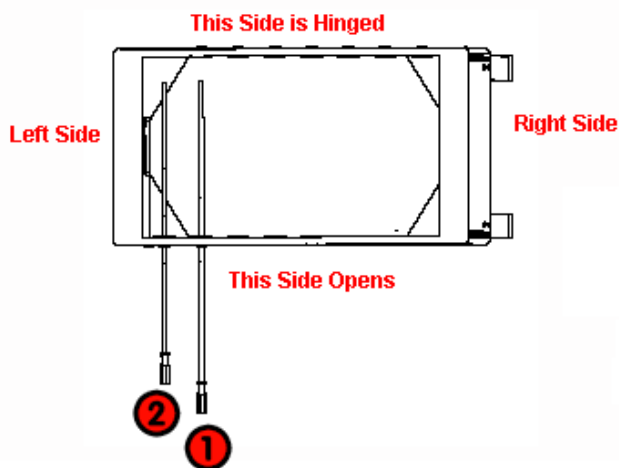
2

ROD STYLE #2 - 46" LONG WITH 3 HOLES (4 RODS)



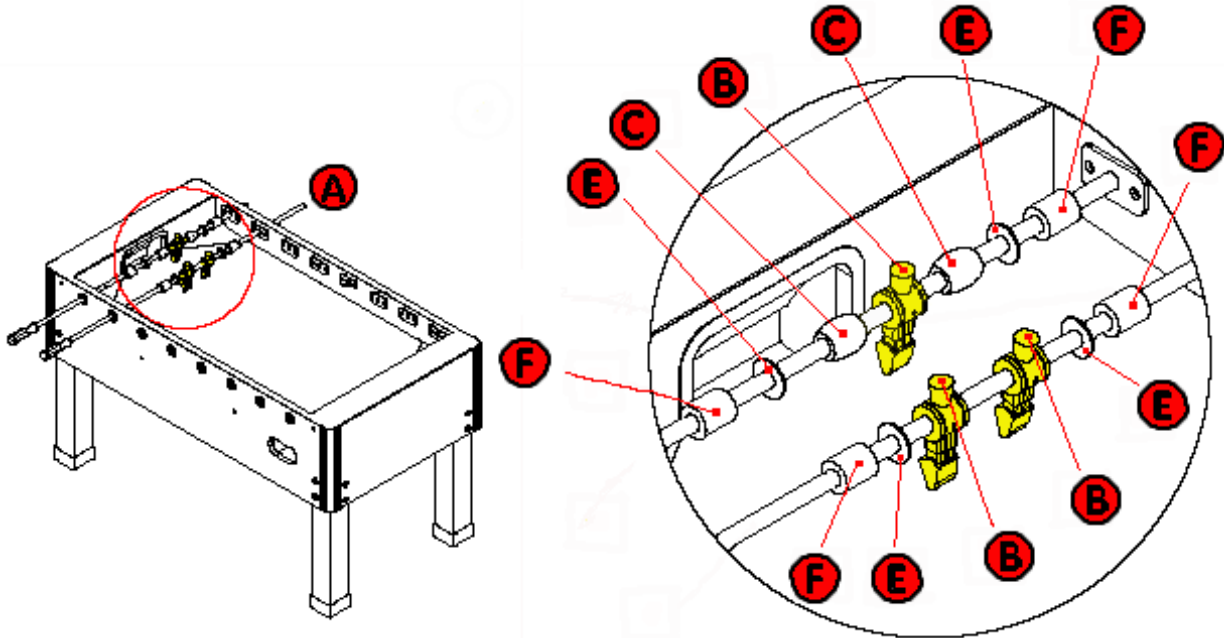
3

ROD STYLE #3 - 42" LONG WITH 5 HOLES (2 RODS)



Use the included lubricating oil to aid in rod and player assembly.

Assembly – Step ③ (Assemble the Rods & Players)



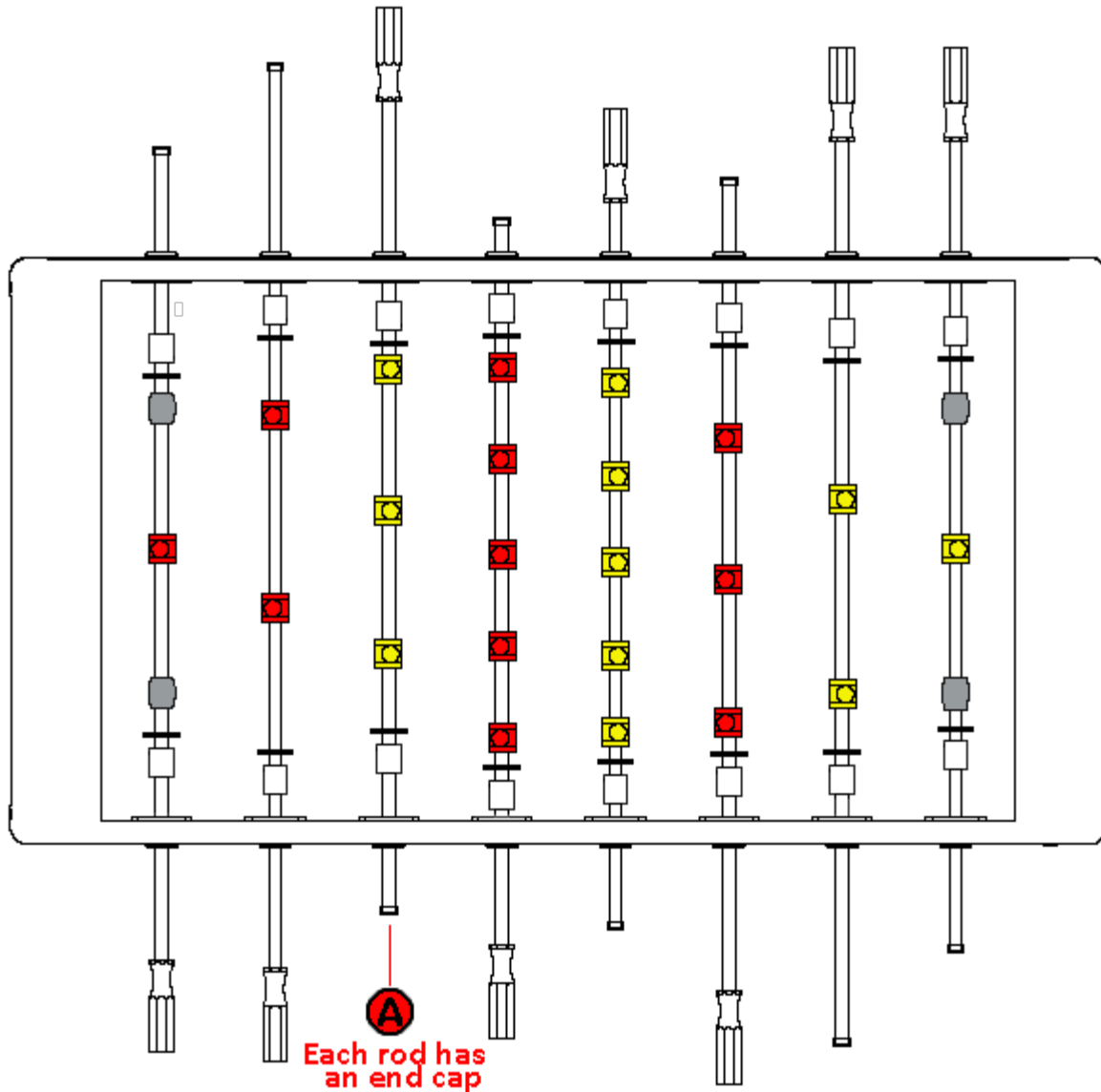
Part	Part Name	Part	Part Name
A	Rod End Cap	E	Plastic Rod Spacer
B	Foosball Player	F	Rubber Rod Stopper
C	Metal Place Holder		

IMPORTANT NOTE We recommend assembling all the pieces on the playfield first (before tightly securing the players to the rods) to make sure all the players are in the right position. Continue to STEP ④ to tightly secure the players once you're positive everything is placed according to the aerial view.

1. Begin assembling the rods from the left side of the table. Starting with the 1-player rod (goalie rod/rod style #2/3-holed rod), slide the rod into the table.
2. Next slide on a rubber stopper (F), a plastic rod spacer (E), a metal place holder if goalie rod (C)* and the foosball player/s (B).
3. The players will line up with small holes in the rod. Make sure the player is facing in the proper direction.
4. Once all the pieces have been placed on the rod, secure them tightly in Assembly Step ④.

*Note: The gray metal place holders are only used for the two goalie bars.

This is a view from the top of what the rods, spacers, and foosball players should look like once assembled.

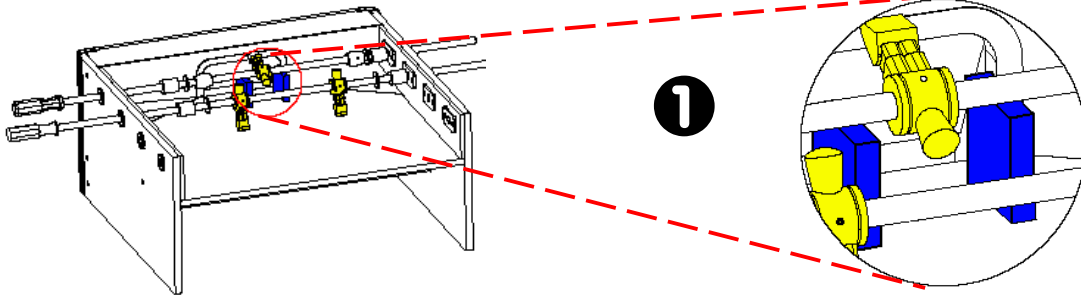


If you have purchased a Metal Rod Protector Kit, please see the supplemental manual for installation instructions.

Assembly – Step ③ (Secure the Players to the Rods)

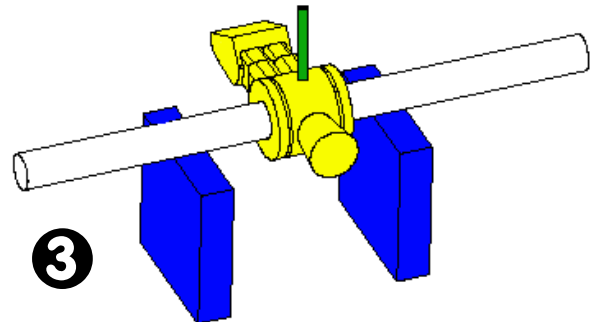
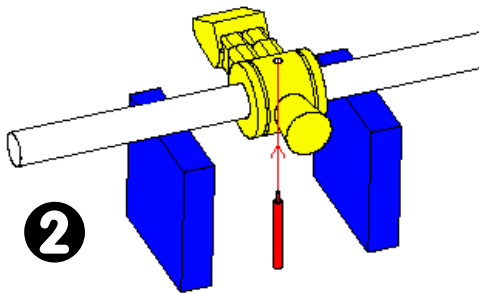
Once all of the players and rods have been assembled, secure each player to the rod using a **rubber mallet**, **two blocks of wood**, **one roll pin for each player**, and the **roll pin aid** provided.

- 1** To keep the rod from spinning, stabilize the bar using the 2 wooden blocks provided, shown here in blue. Turn the player facedown and adjust the player so that the hole on the player matches the rod hole.



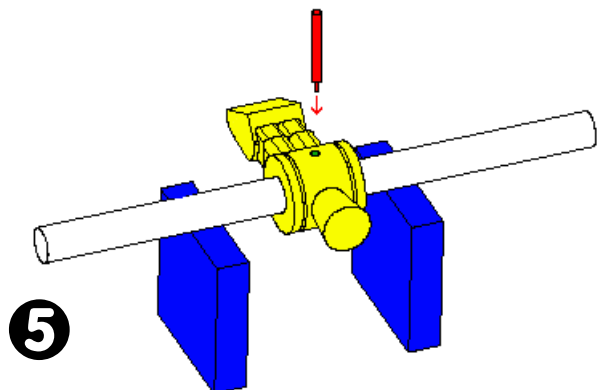
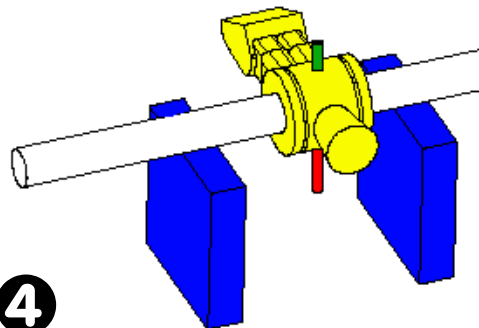
- 2** Adjust the player so that the hole in the pole lines up with the hole in the player. Insert the roll pin aid (stabilizer) into the hole from below. This will stabilize the player while you insert the roll pin from the top.

- 3** Insert the roll pin into the top of the player and gently knock the roll pin through the player and rod with a small rubber mallet.



- 4** Gently hammer the roll pin through the top of the player through the rod with a small rubber mallet. Remove the roll pin stabilizer from the bottom when it has been pushed more than half out.

- 5** Once you have removed the roll pin stabilizer, use it to tap the roll pin (from the top) until the roll pin is completely flush with the player.



Assembly – Step 9 (Secure the Players to the Rods)

After Assembling the Players

1. After putting the rods inside of the table, reinstall the tempered glass carefully and retighten all the bolts. Then, attach the 4 cup holders with hex bolts to each end (2 per short side).



2. Open the table and put ONE ball in the track. Also, put the PCB COVER above the PC Board.



3. Using the included allen key, secure each cup holder to the short ends of the table. There are 2 cup holders per table end (4 total).



4. Plug in the electrical cord and turn on the power (under the table on the right side) to ensure all lights, motors, and computer functions are operable.

IMPORTANT NOTE: Only 1 ball may be inside the machine at a time.

Please check to see if your machine was shipped with a ball inside the machine before inserting another ball. **The machine will not function if more than one ball is inside the mechanism.**

Assembly – Step D (Program the PC Board)

Internal Hardware



Assembly – Step D (Program the PC Board)

DIP Switch Adjustments

DIP SWITCH 1

		1	2	3	4
MUSIC	Play in Order	OFF			
	Play Random	ON			

DIP SWITCH 2

		1	2	3	4	5	6	7	8
COIN(S)	1 coin, 1 game	OFF	OFF						
	2 coins, 1 game	ON	OFF						
	3 coins, 1 game	OFF	ON						
	4 coins, 1 game	ON	ON						
GOALS OF WINNER	3 goals			OFF	OFF	The game is over when either one of the players obtains X number of goals			
	5 goals			ON	OFF				
	7 goals			OFF	ON				
	9 goals			ON	ON				
MUSIC*	8 songs				OFF	OFF			
	6 songs				ON	OFF			
	4 songs				OFF	ON			
	2 songs				ON	ON			
DEMO MUSIC	YES							OFF	
	NO							ON	
ZEROING OF SCORE	NO								OFF
	YES								ON

Locate Safety Stickers

Danger:

This area may contain hazardous voltage which can cause electrical shock.



Warning:

Only qualified personnel should work inside the equipment.

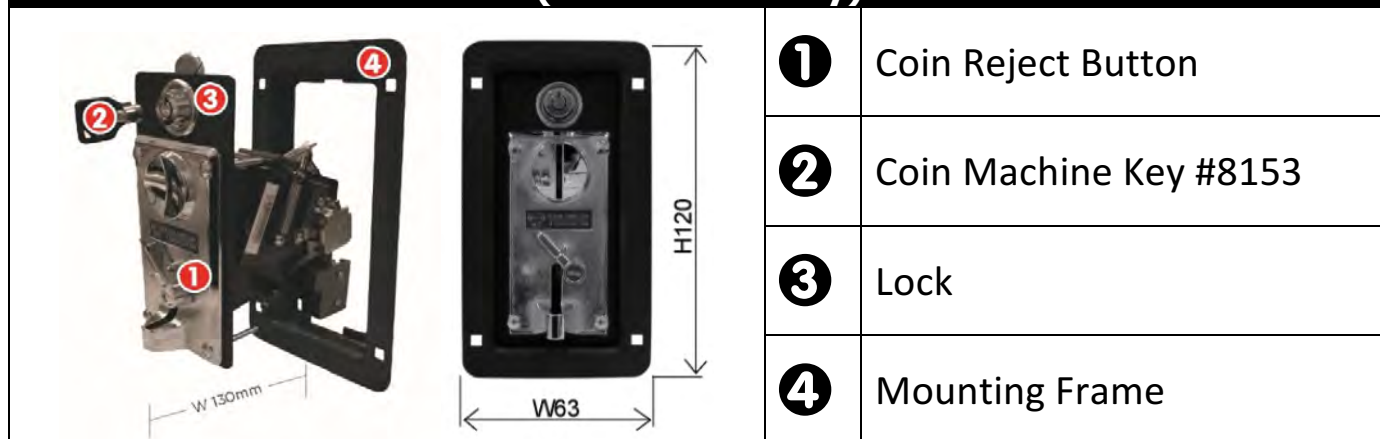


This game features flashing lights which may not be suitable for photosensitive epilepsy.

If you or your child have ever experienced a convulsive attack, loss of consciousness, etc. due to light stimulus or TV games or if you fear that you might experience these symptoms, PLEASE BE VERY CAREFUL USING THIS MACHINE.



Assembly – Step ③ Coin Comparator Instructions (U.S. Model Only)



How to Set a Constant Coin*

Continue reading for a visual diagram of these steps.

Step 1

Choose the desired coin for use and insert it in the clamp on the side of the coin comparator/coin mechanism. This coin is now considered the “constant” based on coin size, thickness, metallic properties, and coin diameter. Only these types of coins will be accepted until a new constant coin is installed.

Step 2

Adjust the *coin insert size* to the size of your Constant Coin (front panel back side).

Step 3

Select the correct mode: Normal Open/Normal Close

“Timer Switch” for synchronizing your system:

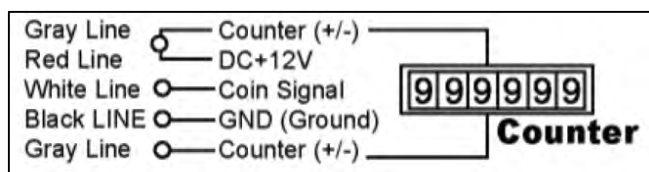
- 100ms (Slow Speed / Long Pause)
- 50ms (Medium Speed / Medium Pause)
- 30ms (Fast Speed / Short Pause)

Step 4

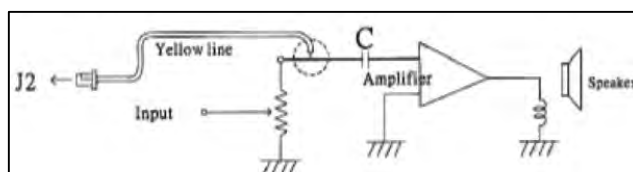
Adjust VR Sensitivity Tuning:

- Clockwise: Slack Selection (LED Dark -> Light)
- Counter-Clockwise: Strict Selection (LED Light -> Dark)

Step 5



Step 6: Alarm Connection Input



*Note: Models may vary in style.

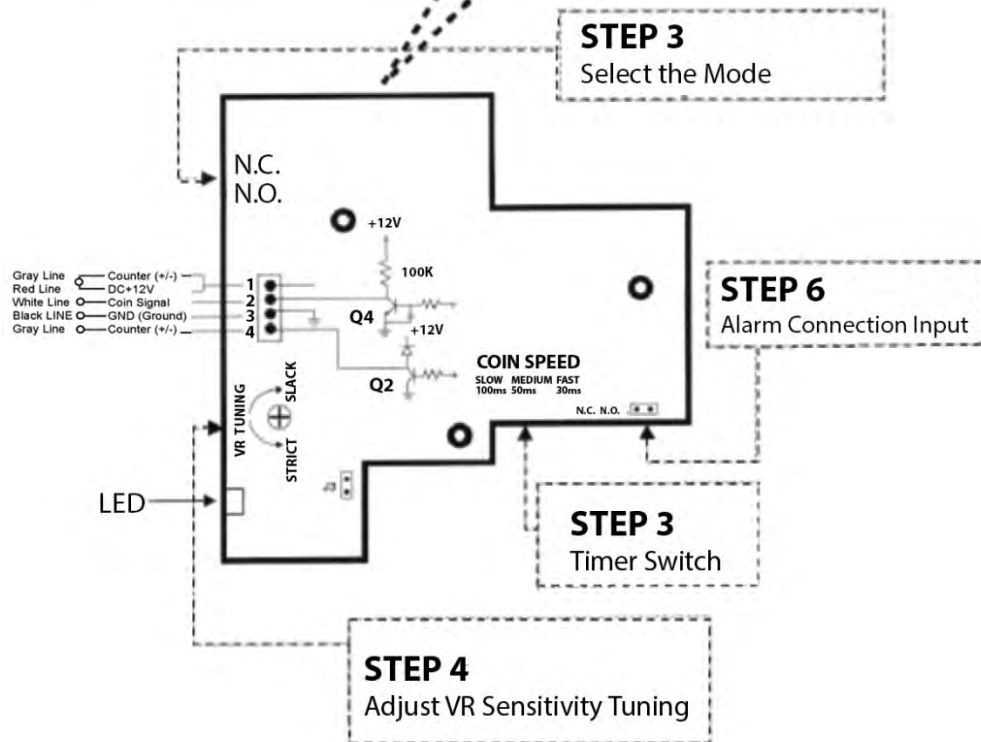
Coin Comparator Operating Manual

COIN SPECIFICATION

Diameter: 18mm~31m
Thickness: 1.2mm~3.0mm

USER EQUIPMENT

Voltage: DC 12V \pm 20%
Currents: 200mA



Coin Box Description



1 Key for Coin Box #103

2 Lock

3 Coin Box Frame

4 Coin Box

5 Access Door to Coin Box

Size: W 175mm x L 145mm x H 175mm

Assembly – Step ① Test the Table

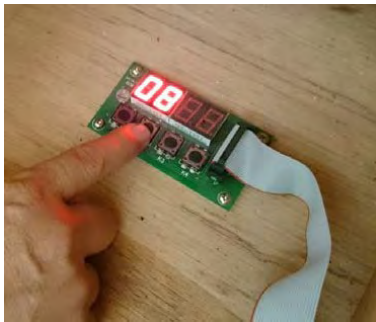
1. Turn the table off and press K1 on the PC Board for audit
2. Press the K1 button on the PC Board
3. At the same time, turn on the power with the other hand
4. Then on the screen of tact switches K1~K4, it's shown here as 00



Functions for the Tact Switches K1-K4

00	LED light strips and LED score boards test	06	Motor up test
01	DIP Switch 1 test	07	Motor down test
02	DIP Switch 2 test	08	Motor down and up test
03	Input test - 1	09	Sound test
04	Input test - 2	10	Memory test
05	Output test	11	MP3 module test

Test the Motor Function



1. If you want to test lifting the motor, press the K2 button of the tact switches several times, until 08 is shown.
2. Press the K1 button of the tact switches to confirm the action. Then, the motor will start to lift.
3. After the test, press the K1 button again to stop the lifting mechanism from lifting.

Initiate a Coin Audit

1. Turn the table off and press K1 on the PC Board for audit.
2. The screen (just above the K1~K4 buttons) will show the quantity of coins.
3. Press K3 and K4 to zero the counter.
4. Press K1 to quit the audit function.



Troubleshooting

Having trouble assembling your new table?

Call our experts in the Parts and Service Department (1+716-866-0054) or email Service@BarronGames.com and we will be happy to assist you! We also have some great troubleshooting videos for World Tour on our youtube channel.

Voltage Issues:

Voltage issues may be due to a card swipe system attached to the table which is causing the power supply to be unstable. **Card swipe systems and powered accessories must be attached to their own independent power supply.**

The 12V/5V power supply which is in the table can have its output adjusted by using the knob (called a "trimpot") on the front of the power supply. Check the voltage coming out of the power supply. If you are not using a card swipe system, adjust the trimpot by rotating it clockwise or counter-clockwise as necessary to increase or decrease the output

Initiate a Coin Audit:

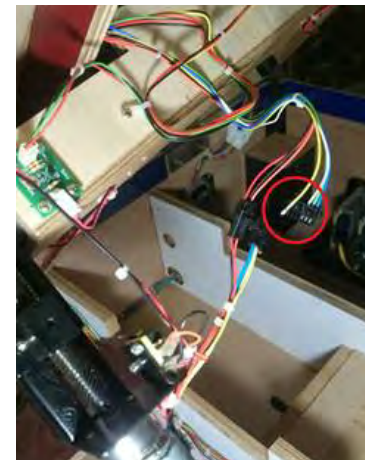
1. Turn the table off and press K1 on the PC Board for audit.
2. The screen (just above the K1~K4 buttons) will show the quantity of coins.
3. Press K3 and K4 to zero the counter.
4. Press K1 to quit the audit function.

Error 22/23:

Begin by following all of the steps in the **Troubleshooting the Elevating Device** section of this manual. Be sure to 1) grease the actuator, 2) reset the actuator motor and 3) troubleshoot the ball sensors.

If the problems persist: there is one yellow wire near the elevating device that may not be connecting properly. Make sure the game is powered off and unplugged when adjusting wiring.

1. Ensure that this bundle of 4 wires are all properly connected.
2. Carefully press the 4 silver parts to separate the wires from the air connector; then reconnect them all.
3. Ensure the METAL piece of the wire is a little raised (red circle on yellow wire pictured on right)
4. It's possible the wires were not connecting completely. Reboot the machine.



Troubleshooting the PC Board

LED screens above the goals will show the errors codes when the table is out of order. When there is an error, press the Troubleshooting Button. Here is a list of error codes:

Error Codes

10	Coin comparator 1: coin stuck
11	Coin comparator 2: coin stuck
20	Ascent of elevating device is out of order. (see section: Troubleshoot the Elevating Device)
21	Descent of elevating device is out of order. (see section: Troubleshoot the Elevating Device)
22	The ball is not in the track. (Check the sensor nearest the ball release)
23	The ball does not score. (Check the sensor nearest the goal)
30	Safety switch is not pressed.

Troubleshooting the Elevating Device

A Quick Check

"When the actuator raises the ball at the start of the game, the arm rises above the playfield."

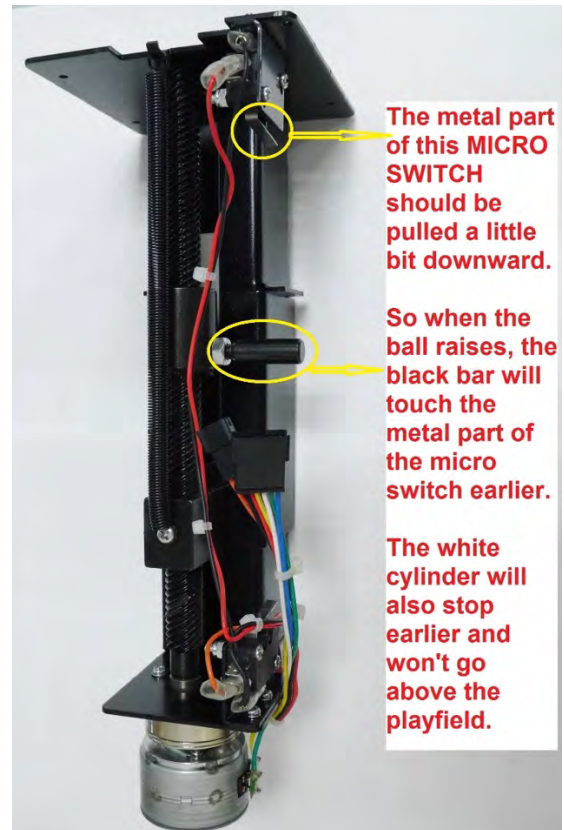
Try this:

----->

The metal part of this MICRO SWITCH should be pulled down a little.

So when the ball raises, the black bar should touch the metal part of the micro switch earlier.

The white cylinder will also stop sooner and shouldn't carry the actuator arm above the playfield.



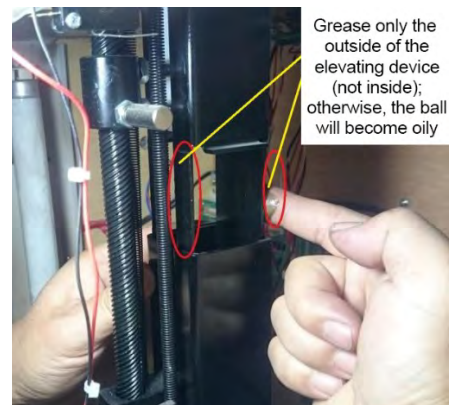
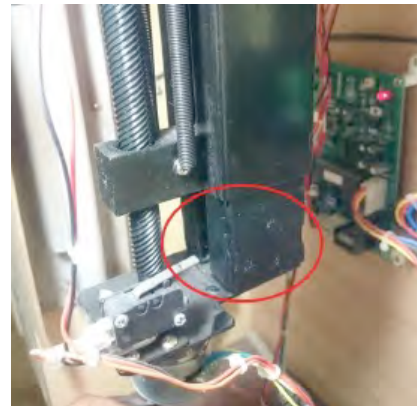
Troubleshooting the Elevating Device

① Grease the Ball Actuator

If you are experiencing a malfunction with the elevating device, attempt to **add a dab of grease** before disassembling the ball actuator:

1. To prevent the mechanism from getting stuck, add some grease to the elevating device. This should help it lift more smoothly.
2. On the mechanism, pull the gate down and also put some grease on the elevating device; **ONLY the area that touches the gate needs to be lubricated.**
3. **DO NOT put grease inside of the track, otherwise, the ball will become oily.**

CAUTION: PINCH POINT! Do not put fingers near elevating device. The actuator moves fast and will not stop until it has moved completely up or completely down.

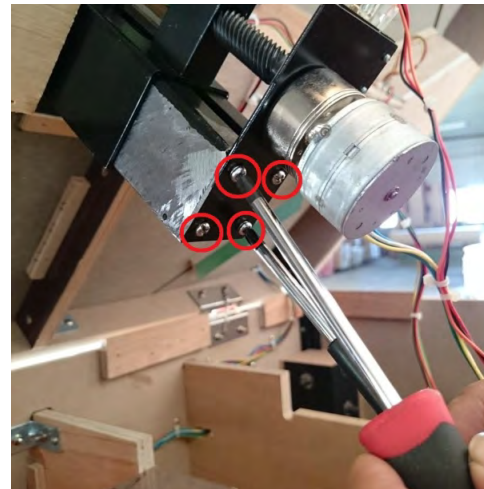


If you continue to experience malfunctions with the ball actuator / elevating device, continue troubleshooting.

② Reset the Actuator Motor



1. Loosen the 2 screws above the motor.



2. Loosen the 4 screws at the bottom of the device.

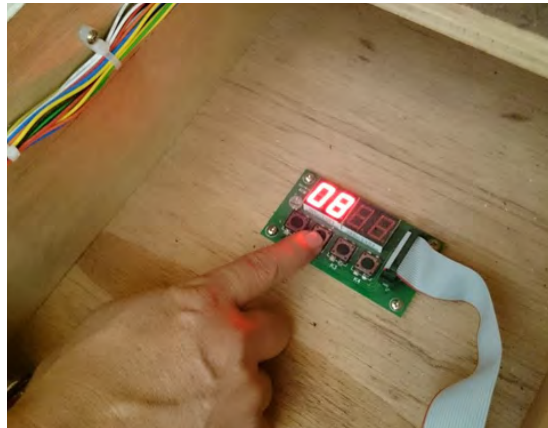
Troubleshooting the Elevating Device



3. Press the K1 button on the PC board. At the same time, turn on the power with your other hand.



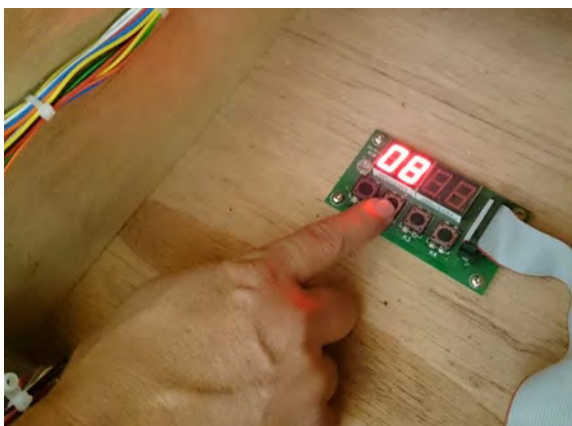
4. The screen should show 00.



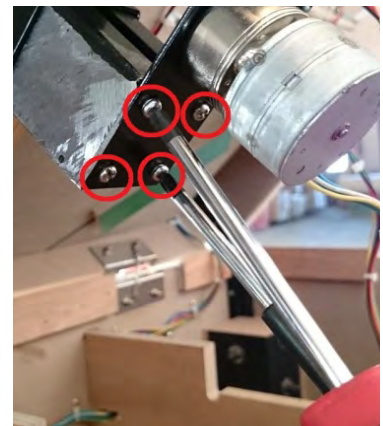
5. Press the K2 button of the tact switches several times, until the screen reads 08.



6. Press the K1 button of the tact switches to confirm the action. Then, the motor will start to lift.



7. After attempting this several times, the lifting will become smoother. Then, press the K1 button of the tact switches to stop the lifting.



8. Re-tighten the 6 screws.

Troubleshooting the Elevating Device

9. **To retest the motor:** Press the K2 button of the tact switches for several times, until 08 shown on the screen. Then, press the K1 button of the tact switches to confirm the action. The motor will start to lift.

CAUTION: PINCH POINT! Do not put fingers near elevating device. The actuator moves fast and will not stop until it has moved completely up or completely down.

10. If the lifting remains smooth, it's fixed. Press the K1 button of the tact switches to stop the lifting. If not, please re-loosen the 6 screws and repeat the same steps.

③ Troubleshoot the Ball Sensor

Be sure to **REMOVE THE BALL** from inside the table first.

No ball should be on the track or inside the actuator when this test is being administered.



1. Press K1 button on the PCB. At the same time, turn on power with other hand.



2. The screen should show 00.



3. Press the K2 button of the tact switches several times, until the screen reads 03.



4. If all sensors are functioning, four zeros will appear on the prompt (0000) indicating no sensors need repair.

APPENDIX A: SUPPLEMENTAL MANUALS FOR GAME ACCESSORIES



SKU#: FB-008-2

World Tour Foosball Metal Rod Protector Kit Assembly Guide

Inspect Immediately after Transporting the Product

After receiving the shipment, inspect the product thoroughly to ensure that it has been shipped with care. Before attempting to install the rod protectors, please check the following:

- Check the box for damage or shifting that may have occurred during shipping. Are there any dented portions or defects (cuts, etc.) on the external surfaces of the accessories?
- Are all the accessories included?

Your **Metal Rod Protector Kit** should include:

- World Tour Foosball Metal Rod Protector Kit Installation Guide
- Two (x2) Short Rod Protectors (17.15 cm)
- Four (x4) Medium Rod Protectors (27.95 cm)
- Two (x2) Long Rod Protectors (39.37 cm)
- Bag of Nuts & Bolts to Secure Protectors to Cabinet
 - Short Bolts = 4.5 cm
 - Long Bolts = 4.75 cm



2 Lengths: Long & Short



ASSEMBLY NOTES

1. Read this Installation Guide carefully before beginning the installation.
2. Only qualified personnel who have technical expertise should perform the work stated herein to avoid hazardous situations.
3. Ensure that there is sufficient space to shift the product prior to installation. Do not drag the table when moving it, as this could damage the legs, levelers, or glass beyond repair.
4. **Be sure to turn off the power and unplug the machine before beginning work on the unit!**
5. **Two adults** are recommended to install the rod protectors.



TOOLS NEEDED



- **Metal Rod Protector Kit Installation Guide**



- **Two Adults to Assist with Assembly**



- **Nut Driver (8mm) – Included with Foosball Table**
OR Socket Wrench / Ratchet (8mm)



- **Hand Drill (5mm drill bit)**



- **Lubricating Oil – Included with Foosball Table**



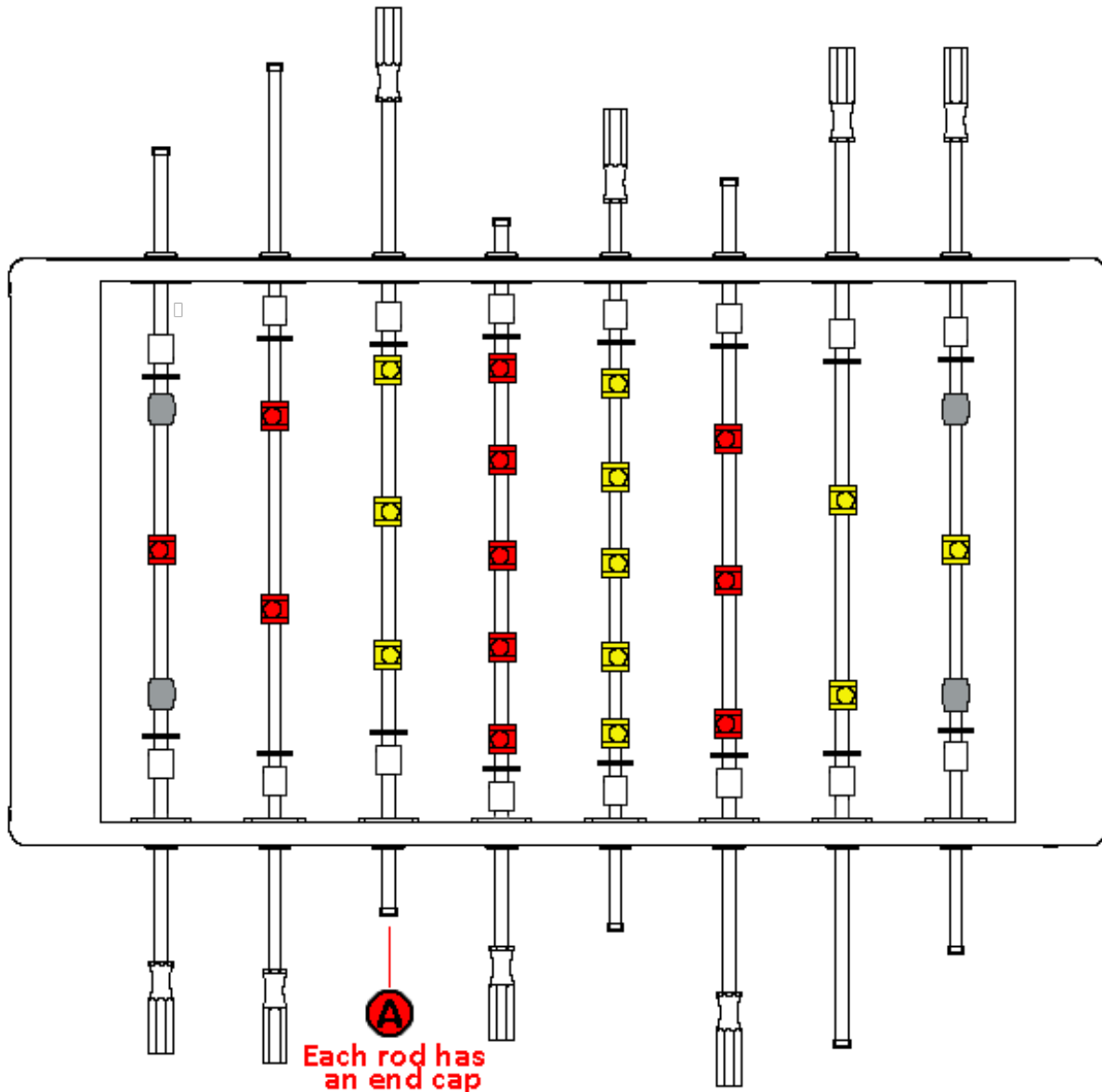
- **A Piece of Scrap Wood**



*Note: Please retain the original packaging, so that it may be used for storage or transport later.

This guide instructs you on how to install metal rod protectors onto a pre-assembled foosball table.

A fully-assembled table will look like this from above:



How to Install the Metal Rod Protectors

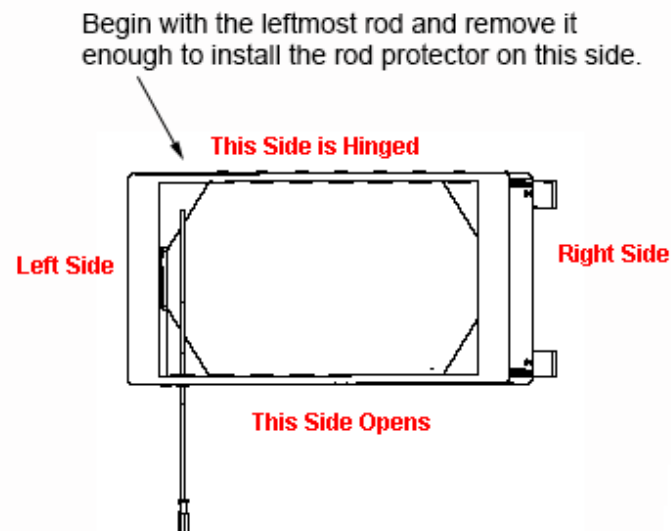
1. Standing in front of the table where the locks are located, find the **RIGHT SIDE OF THE TABLE**. From the right side, remove the end cap, corner pieces, and other metal parts.



2. Carefully remove the tempered glass from the **RIGHT SIDE** of the table by sliding it toward you. Temporarily store the glass in a safe place.



3. Beginning with the left side, slide the first rod slightly out so that you can install the protector to the side opposite the handle.



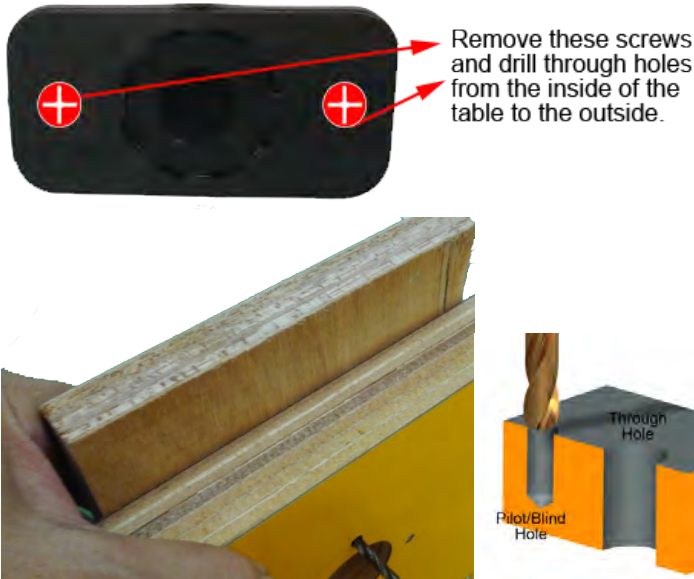
****Please Note:** You may need to remove the foremost foosball player using the pin extractor to slide the rod out with enough room to work. For more information on how to remove a player, consult the World Tour Foosball Coin-Op Table Instruction Manual.

4. From the inner side of the table, remove the screws and black bearing from the rod hole.
Note: Do not remove all the bearings. You do not need to remove them all from both sides of the table, only the bearings that will be covered with rod protectors.

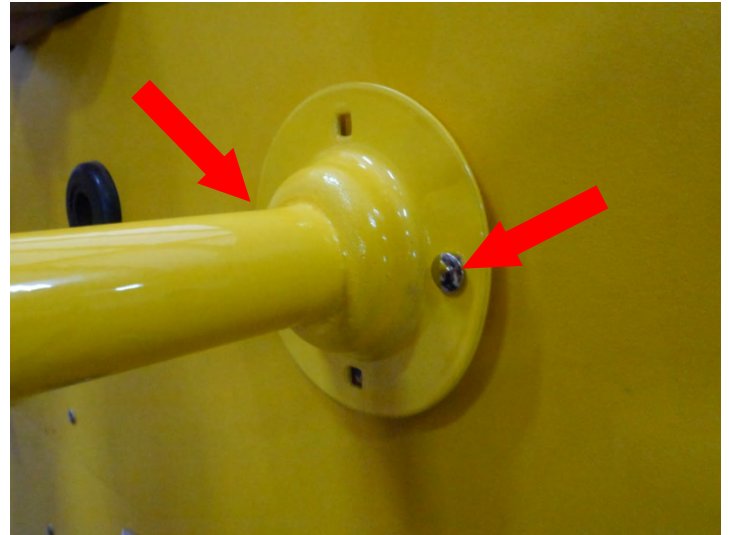


How to Install the Metal Rod Protectors

5. **If your table came with pre-drilled holes for the rod protectors, skip to the drilling steps.** If you need to drill additional holes: place a wooden panel of scrap wood on the outer side of the table. From the inner side of the table, drill out the two (2) pilot holes until they become through holes.

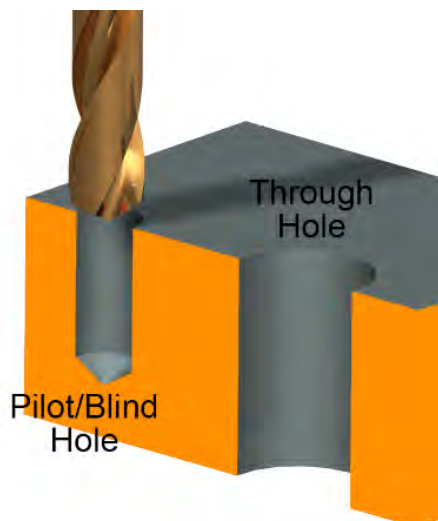


6. Temporarily affix the left and the right sides of the rod protector onto the table with two (2) of the longer bolts (4.75cm) and nuts.



7. Using the drill, make two (2) pilot/blind holes for the top and bottom bolts (pilot holes do not go all the way through the wood).

Take care to drill straight into the table, not at an angle!

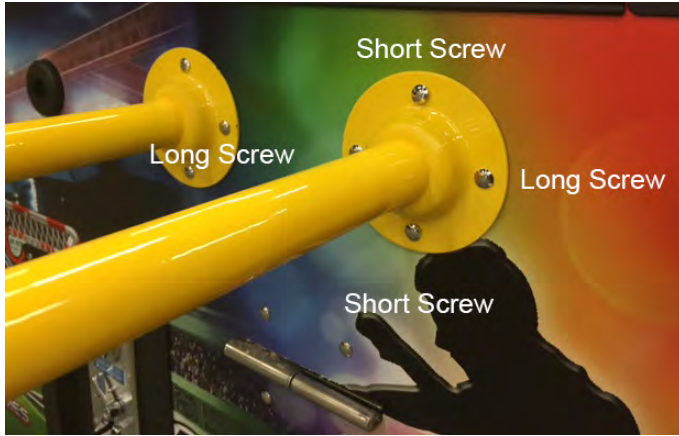


8. Unbolt and remove the rod protector. Place a wooden panel of scrap wood inside the table and continue to drill the 2 blind holes until they become through holes. Using scrap wood should minimize the potential for damage to the laminate while drilling.



How to Install the Metal Rod Protectors

9. Affix the metal rod protector using four (4) bolts: 2 short (4.5cm) and 2 long (4.75 cm).



10. The nuts should be snugly tightened from the inner side of the table.



11. Tighten a second nut on top of every first nut.



12. Repeat all the steps to install the remaining seven (7) metal rod protectors. Each side of the table will have four (4) rod protectors, from left to right:

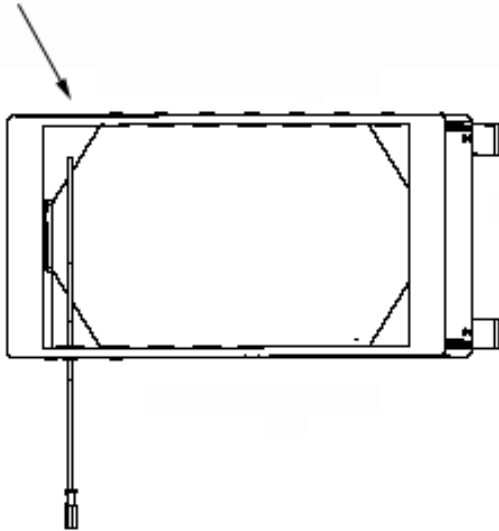


- 1** Long Rod
- 2** Med Rod
- 3** Short Rod

How to Install the Metal Rod Protectors

13. Insert the assembled foosball player rods into the rod protector for each rod.

Insert the foosball rod into the rod protector



***Please Note:** You will need to lubricate the rod as well as the bearings to slide the rods into the protectors with ease.

14. Once all the rod protectors have been installed and the rods have been inserted, reinstall the plate of tempered glass on the **RIGHT SIDE**.



15. From the right side of the table, reassemble the end cap, corner pieces, and metal parts.



16. **Ensure all rods move smoothly and with ease inside the rod protectors. If the rods are sticking or do not move smoothly, apply more lubricant.**



17. Plug the table back in, turn on the power, and begin playing!

See the full **World Tour Foosball Table Instruction Manual** for any troubleshooting.

Having trouble installing your new Metal Rod Protector Kit? Call our experts in the Parts and Service Department (1+716-866-0054) or email Service@BarronGames.com and we will be happy to assist you!

After Installing the Game

1. Check the voltage regularly to avoid a short circuit or potential fire. Do not overload the circuit.
2. Keep the power cord out of areas with busy foot traffic to ensure the safety of users and the machine.
3. Keep children away from all power sources. Children should always be under adult supervision while using the machine. Youth under 120cm (roughly 4ft) in height should not operate this machine.
4. Regular maintenance should be performed on the machine to ensure that it is clean, smooth, and debris-free (see section "Care and Maintenance").
5. Do not use any sharp instruments on any part of the machine as it may cause irreparable damage.
6. Remove and replace any piece or part that becomes damaged.
7. Turn off the game and have it inspected by an electrician or service technician if it is operating abnormally. Contact an electrician or service technician if your product experiences power failure, liquid or objects found near/inside the electronic components, or abnormal sounds coming from the actuator (the automatic ball release).
8. Use the leg adjusters to level the table if necessary.
9. Do not use outdoors or in damp areas.
10. Take extra care when handling the tempered glass panel, it may break.

Care and Maintenance

1. Perform maintenance work in accordance with these instructions. **Always be sure to turn off the power before servicing the machine.**
2. Use a soft cloth, and product-specific polishing spray to clean the cabinet. **THE GLASS PLAYFIELD COVER SHOULD BE CLEANED WITH GLASS CLEANER ONLY.**
3. Dust, grime, and other debris can collect inside the body of your table over time. Vacuum out the inside cavities frequently. The easiest way to access the inside of the table is to remove the glass plate and clean the playfield and foosball players. Opening the cabinet will also give you access to excess dust that may have built up inside the goal chutes. **NEVER ATTEMPT** to clean the automatic ball release system while the game is operating.
4. Clean any dirt or debris from the main PC Board with a soft brush or dry cloth. **NEVER USE WATER OR OTHER LIQUIDS.** Always be sure to turn off or unplug the machine before opening the PC Board panel.
5. Household cleaner may be used to wipe down the poles, handles, and legs.
6. Dust the scoreboard when needed (depending on the model).
7. Periodically check the functionality of the coin mechanisms and empty coin boxes.
8. Perform maintenance work in accordance with these instructions. Be sure to **always turn off the power** before servicing the machine.

Parts List: World Tour Coin-Op Foosball

SKU# BG-FSBCO

Part#	Description	Qty
FB-A001	Main cabinet	1
FB-A002	Tempered glass	1
FB-A003	Coin comparator	2
FB-A013	Metal frame	2
FB-A014-1	Faceplate for coin comparator	2
FB-A015	Lock for the faceplate (the same lock for the coin box)	2
FB-A016	Key for the faceplate (the same key for the coin box)	2
FB-A004	Lock for the table	2
FB-A005	Key for the table	2
FB-A006	Protection for the speakers	4
FB-A007	LED light strip	2
FB-A008	LED score/credit boards (red light + green light)	2 sets
FB-A010	Bearing	16
FB-A011	Printing on the panels	1 set
FB-A012-1	Corner metal part	2
FB-A012-2	Corner metal part	2
FB-A013	Bolts for the corner metal parts	1 pack
FB-A017-1	Metal End Cap for Table (left)	1
FB-A017-2	Metal End Cap for Table (right)	1
FB-A018	Long Metal Part (Rail Cover)	2
FB-B001	Elevating device for ball release + Motor	1 set
FB-B003	Micro switch for elevating device	2
FB-B004	Sensor (1 set of 2 pcs)	4 sets
FB-B005	Main PC board	1
FB-B006	Volume amplifier	1
FB-B007	Tact switches K1~K4	1
FB-B008	Power supply box	1
FB-B009	Power switch / EMI filter	1
FB-B010	Troubleshooting button w/micro switch	1
FB-B011	Volume button	1
FB-B012	Power cord	1
FB-B013	Coin meter	1
FB-B014	Speaker (15 W)	4

Part #	Description	Qty
FB-B015	Safety button	1
FB-B016	Coin box with lock	2
FB-B017-1	Detachable hinge	2
FB-B017-2	Non-detachable hinge	1
FB-B018	Arm handle	1
FB-B019	Wooden protection for the main PCB	1
FB-C001-1	Player (Yellow) (+1 extra)	11
FB-C001-2	Player (Black) (+1 extra)	11
FB-C002	Roll pin (26+4 pieces)	26
FB-C003	Roll pin aid	1
FB-C004	Iron ball / Stop ring	4
FB-C005	Rubber bumpers (+6 extra)	16
FB-C006	Plastic washer	16
FB-C007	Plastic handle	8
FB-C008	Rod End Cap	8
FB-C009	1 player rod / 3 player rod	4
FB-C010	2 player rod	2
FB-C011	5 player rod	2
FB-C013	Ball	4
FB-C014	Cup holder	4
FB-C015	Hex bolts for the cup holders	1 pack
FB-C016	Wooden leg	4
FB-C017	Metal leg leveler	4
FB-C018	Carriage bolts for the legs	1 pack
FB-C021	Protection tube for the rods (Long) – optional	2
FB-C022	Protection tube for the rods (Med) – optional	4
FB-C023	Protection tube for the rods (Short) – optional	2
FB-C024	Bolts for rod protectors – optional	1 pack
FB-C025	End caps for rod protectors – optional	8
FB-D001	Double open end wrench 17X19 mm	1
FB-D002	Socket wrench 8mm	1
FB-D003	Hex key	1
FB-D004	Lubricating oil	1
FB-D005	Manual	1

Parts List: Metal Rod Protectors

SKU# FB-C020

Part#	Description	Qty
FB-C021	Rod Protector Long (39.37 cm)	2
FB-C022	Rod Protector Medium (27.95 cm)	4

Part #	Description	Qty
FB-C023	Rod Protector Short (17.15cm))	2
FB-C024	Nuts & Bolts for protection rods 16 short bolts, 16 long bolts & 64 nuts	1 set

PLEASE KEEP FOR YOUR RECORDS



LIMITED MANUFACTURER WARRANTY

Product Model _____

Product Serial Number (look for a silver sticker on unit) _____

Thank you for purchasing a Barron Games product!

To activate your warranty, please complete the Warranty Registration and Customer Satisfaction survey within 10 days of your purchase.

Our **New Product Limited Warranty** covers moving parts and the main PC board on all products for the first one hundred and twenty (120) days after your product was received.

- Product and/or product parts found to be defective must be shipped back to Barron Games at customer's expense for any warranty work to be performed or for part replacement.
 - All advanced-replacement parts must be paid for in advance of shipment, and a credit will be issued if the defective part (if under warranty) is returned to us within 10 days of shipment of the replacement.
- Barron Games cannot be held responsible for damage to a product due to improper installation and/or unauthorized usages.
- Our Parts & Service Support Team is available to you by phone at +1-716-866-0054 or via email at service@barrongames.com.

Our **120-Day Limited Product Warranty** **does not cover** the following:

- I. Table top breakage
- II. Product abuse or misuse
- III. Product cleaning and/or routine maintenance
- IV. Physical or cosmetic damage whatsoever to the product
- V. Stuck or jammed coin mechanisms caused by improper usage
- VI. Damage incurred from moving, shipping, or repairing product
- VII. Damage incurred by normal wear-and-tear or non-standard game play
- VIII. Damage caused by acts of God; weather, water, lightning or electrical damage, or damage due to extreme heat or cold
- IX. Damage caused by unauthorized repair work to product or by the installation of any parts or upgrades on products, other than as directed or previously authorized by Barron Games
- X. Any product damage incurred during shipping/transit from our warehouse or our partners

This warranty will become **null and void** if:

- Anyone besides personnel authorized by the manufacturer performs (or attempts to perform) any repairs, modifications, or alterations not under the instruction of an authorized Barron Games service technician
- Product is dropped, knocked over, abused, or otherwise physically damaged while at your location or during any transportation or shipping to or from our warehouse
- Product is placed outdoors, in direct sunlight, rain, cold, heat, or placed in a humid area. See Product Instruction Manual for a complete list of places to avoid when installing the product.

Please contact our Parts & Service Department at (716) 866-0054 or email service@barrongames.com for assistance.
Customers must provide the product name and serial number to verify warranty status when calling for service.

Online Product Registration Link: <http://barrongames.com/support/registration>

TROUBLESHOOTING QUICK LINKS

Troubleshooting the PC Board

LED screens above the goals will show the errors codes when the table is out of order. When there is an error, press the Troubleshooting Button. Here is a list of error codes:

Error Codes

10	Coin comparator 1: coin stuck
11	Coin comparator 2: coin stuck
20	Ascent of elevating device is out of order. (see section: Troubleshoot the Elevating Device)
21	Descent of elevating device is out of order. (see section: Troubleshoot the Elevating Device)
22	The ball is not in the track. (Check the sensor nearest the ball release)
23	The ball does not score. (Check the sensor nearest the goal)
30	Safety switch is not pressed.

TROUBLESHOOTING INSTRUCTIONAL VIDEOS



<https://www.youtube.com/user/BarronGames>



Barron Games International
84 Aero Drive, Suite 5
Buffalo, NY 14225

Phone: +1-716-866-0054

Fax: +1-716-630-0055

www.BarronGames.com

For Parts and Service Information, please contact us:

Phone: +1-716-866-0054

Email: Service@BarronGames.com