

FC-088
F-16 Fighter Plane



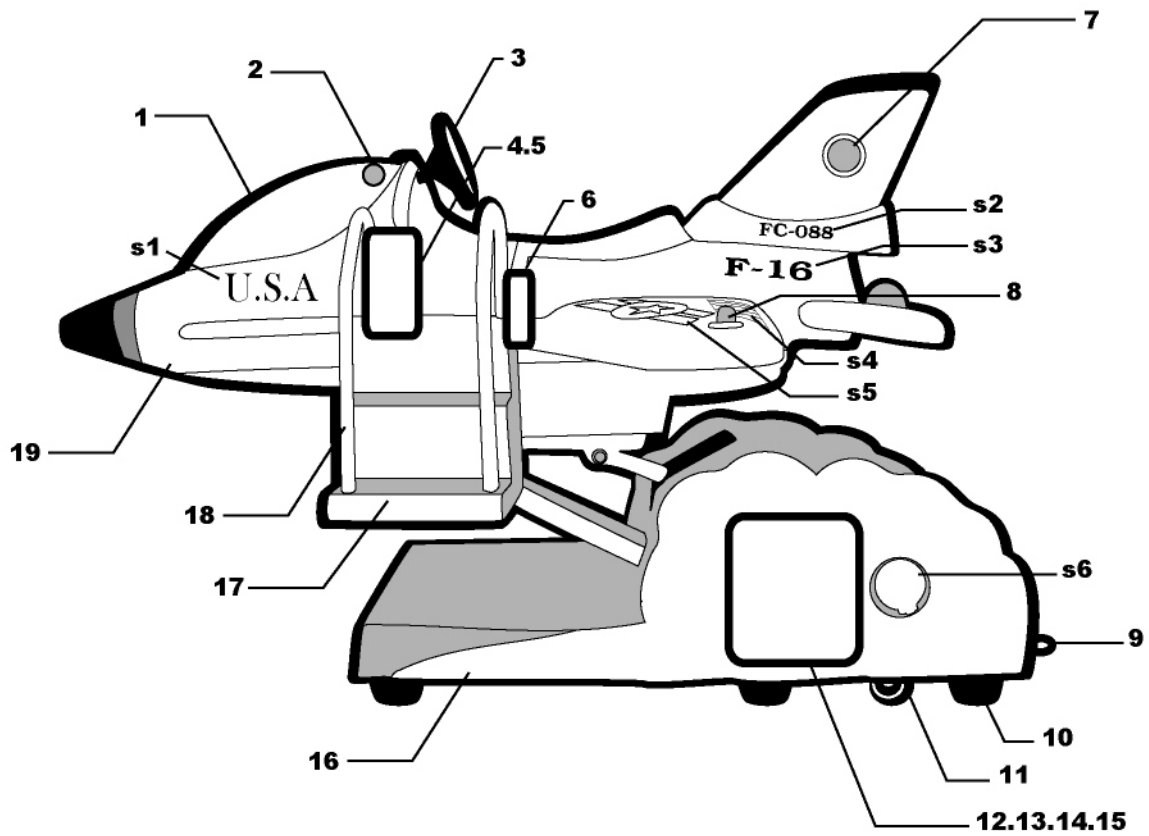
Specification

Dimension L195 x W130 x H130 cm

Weight 130 kgs

Voltage 110V AC, 60Hz, 3A, Max 6A
220V AC, 50Hz, 3A, Max 6A

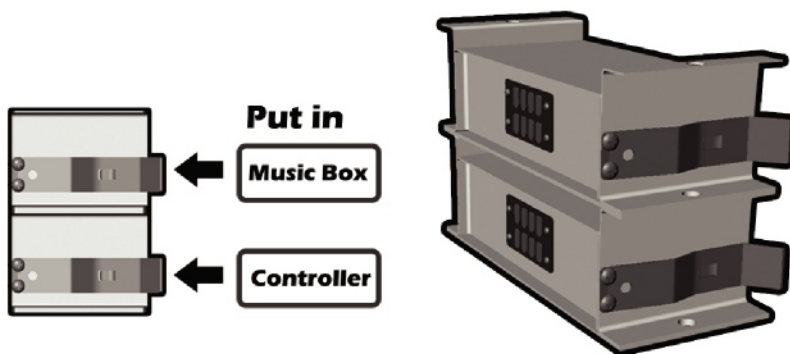
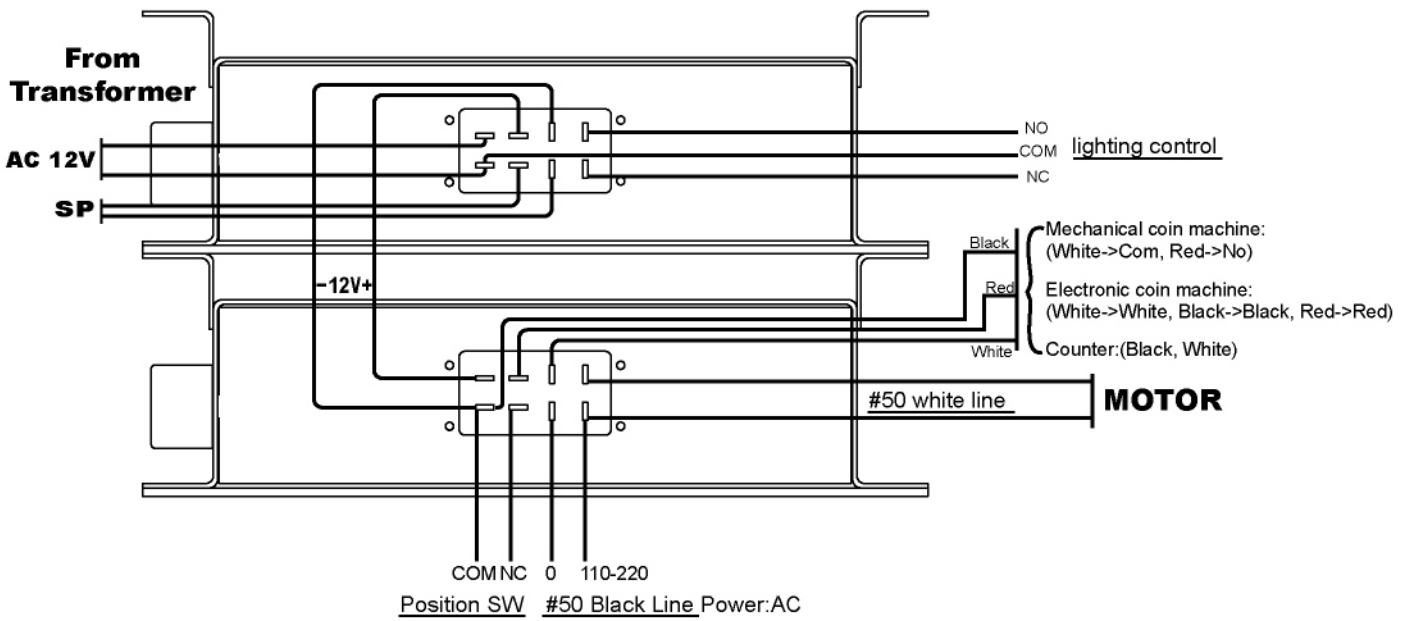
F-16 FIGHTER PLANE Detail Manual



SIDE VIEW

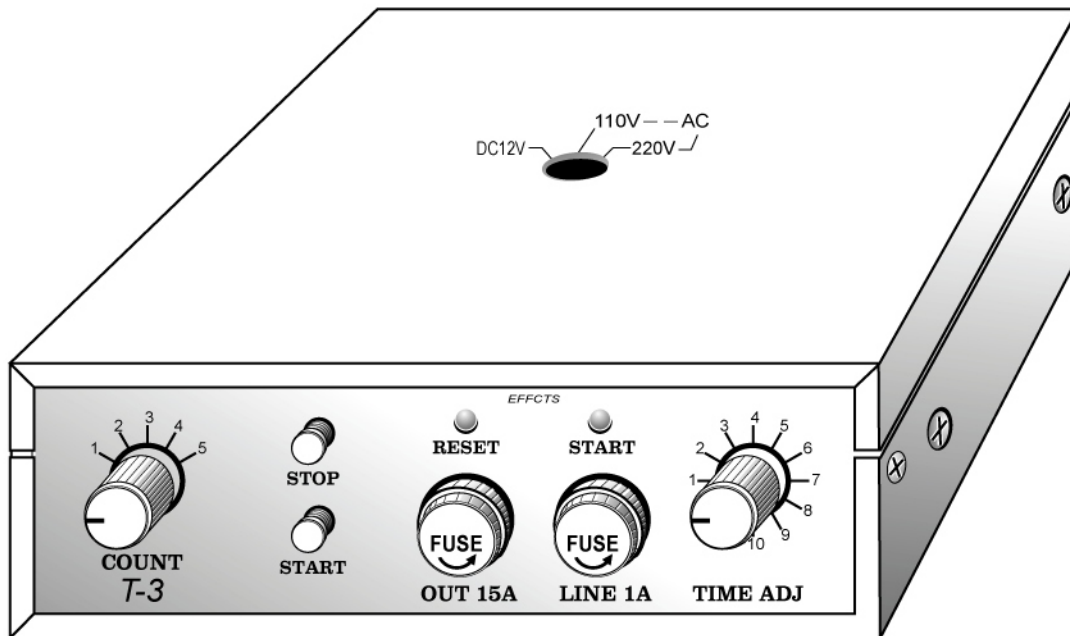
- | | | |
|---------------------------------------|-------------------------------------|--------------------------|
| 1. Acrilan cover#1 | 10. Fixer | s1~s5. Sticker |
| 2. Light#1 | 11. Wheel | s6. Warning sign sticker |
| 3. Steering wheel#2 | 12. Control door(key#1) | |
| 4. Electronic coin machine(key#1) | 13. Double frame | |
| 5. Coin box(key#2) | 14. Music box | |
| 6. Maintenance door-medium(key#1) | 15. Controller | |
| 7. Light#2 | 16. Base of cloud shape | |
| 8. Light#3 | 17. Ladder | |
| 9. Power-plug locates at rear of base | 18. Handlebar#1 | |
| | 19. FRP model of F-16 Fighter Plane | |

Double Frame Wire Manual



size: W188mm x L78mm x H113mm

Controller Operating Manual



Count: Adjust the coin from 1 coin to 5 coins

Stop Button: For Checking machine without insert coin to "STOP" the machine

Start Button: For Checking machine without insert coin to "START" the machine

Reset: Red lighting when power connect

Start: Green lighting when machine start to working

1~12 play Time adjust:

- | | |
|-----------------------------|-----------------------------|
| 1. 1 Minute and 30 Seconds | 7. 3 Minutes and 30 Seconds |
| 2. 1 Minute and 40 Seconds | 8. 4 Minutes |
| 3. 1 Minute and 50 Seconds | 9. 4 Minutes and 30 Seconds |
| 4. 2 Minutes | 10. 5 Minutes |
| 5. 2 Minutes and 30 Seconds | 11. 10 Seconds for testing |
| 6. 3 Minutes | 12. 0 |

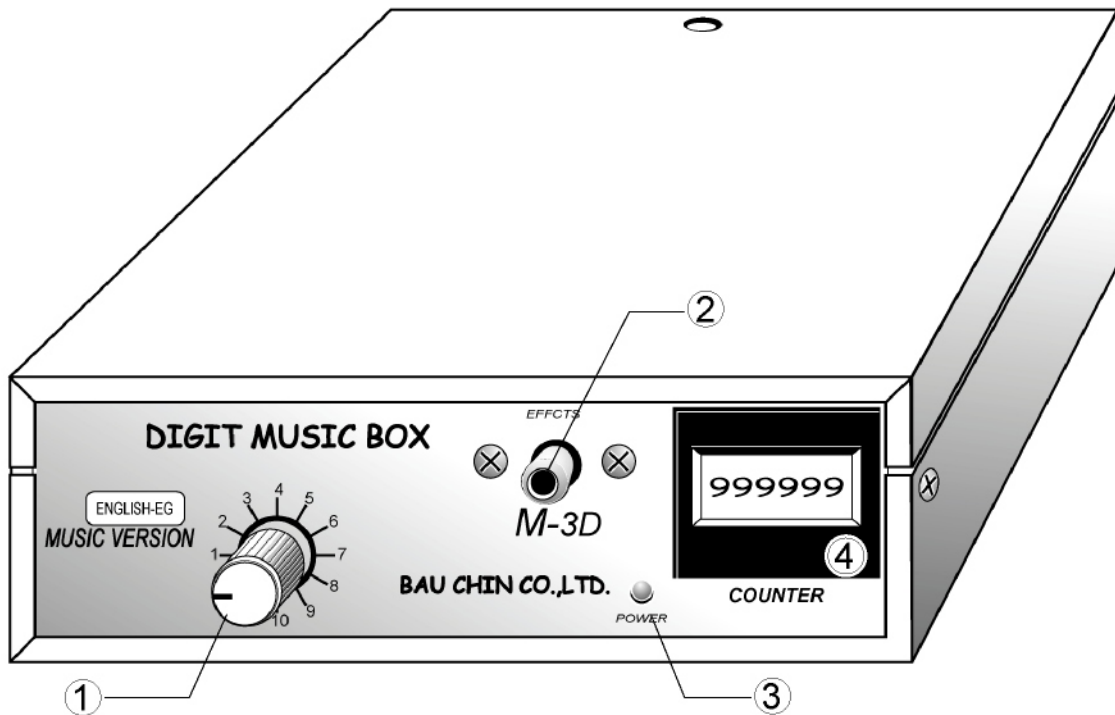


front view

side view

back view

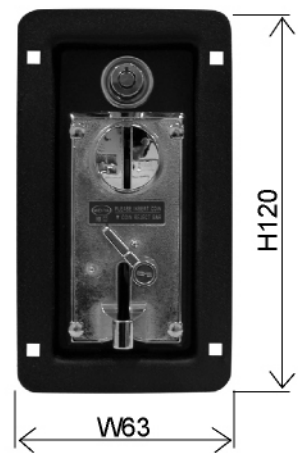
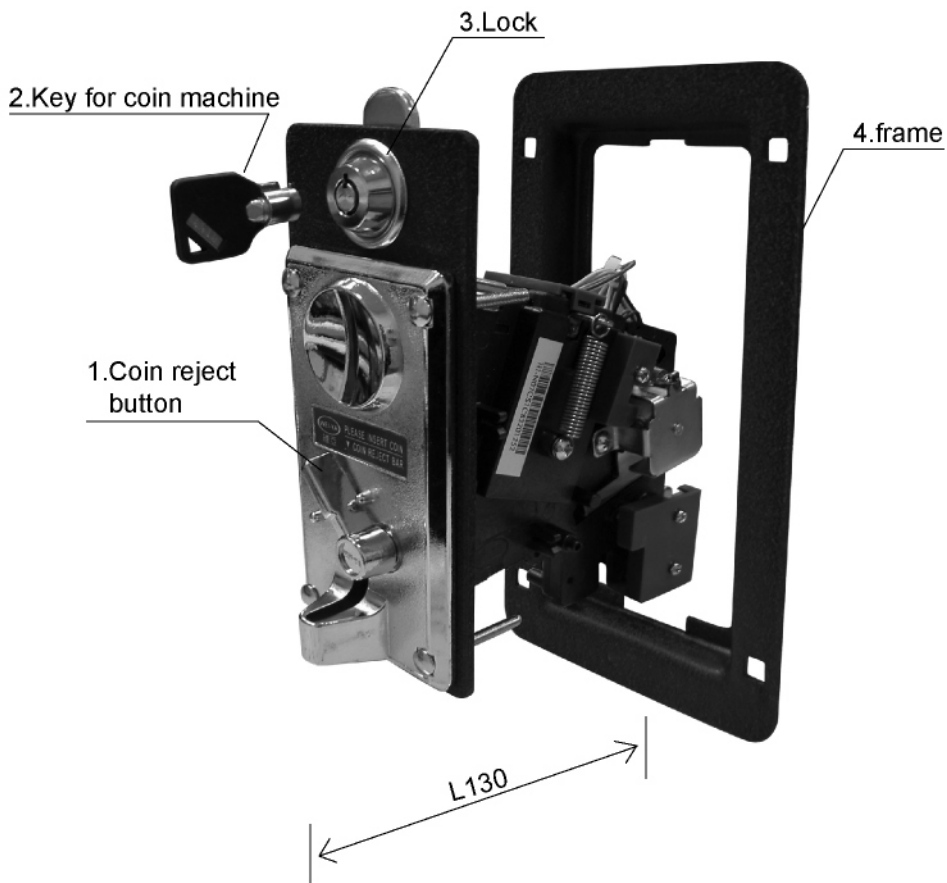
Music Box Operating Manual



1. **1-12:** Sound volumes adjust
2. **Sound button connection**
3. **Power light:** When power connect
4. **Counter:** Coin Counter
5. **Music:** 12 English kiddy songs to repeat



Electronic Coin Machine Operating Manual



size:mm

Electronic Coin Machine Operating Manual

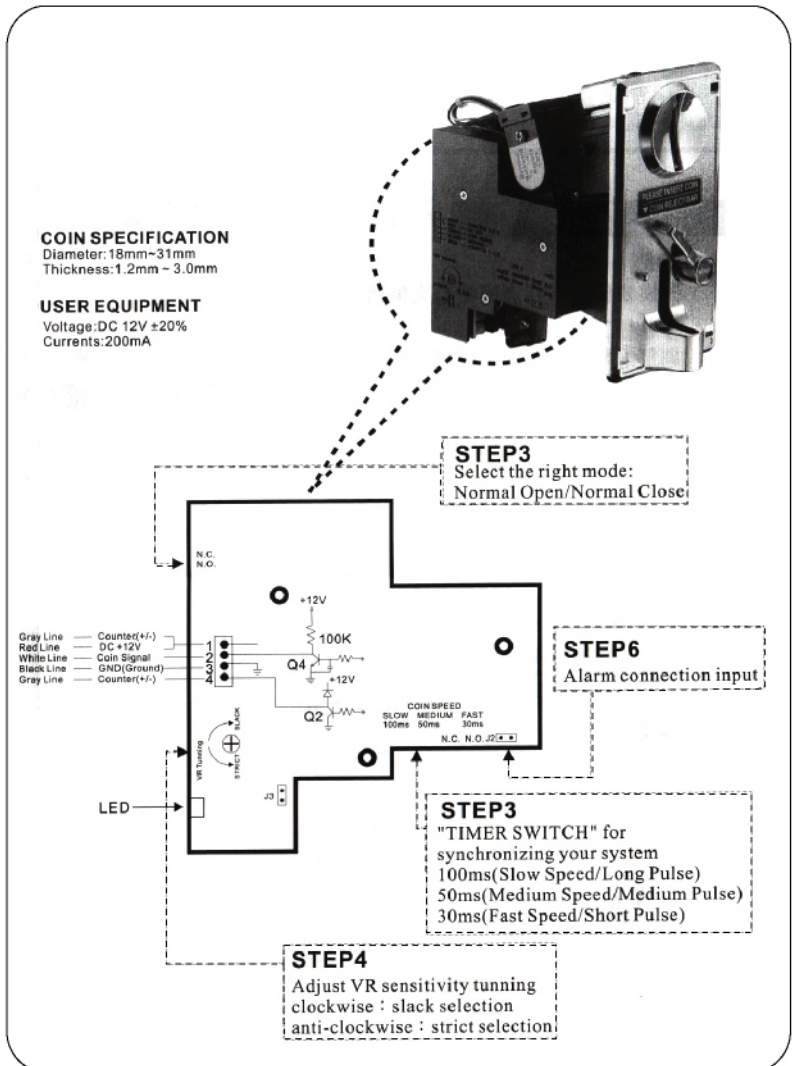
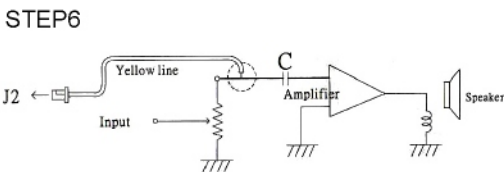
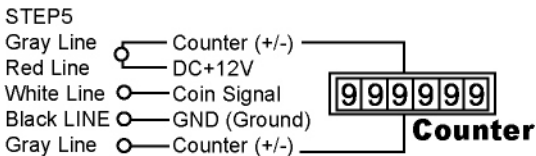
DIDGITAL COMPARABLE ELECTRONIC
 INSTALLATION HI-07CS+LED

STEP1
 Cheng the right coin for use from the clamp.

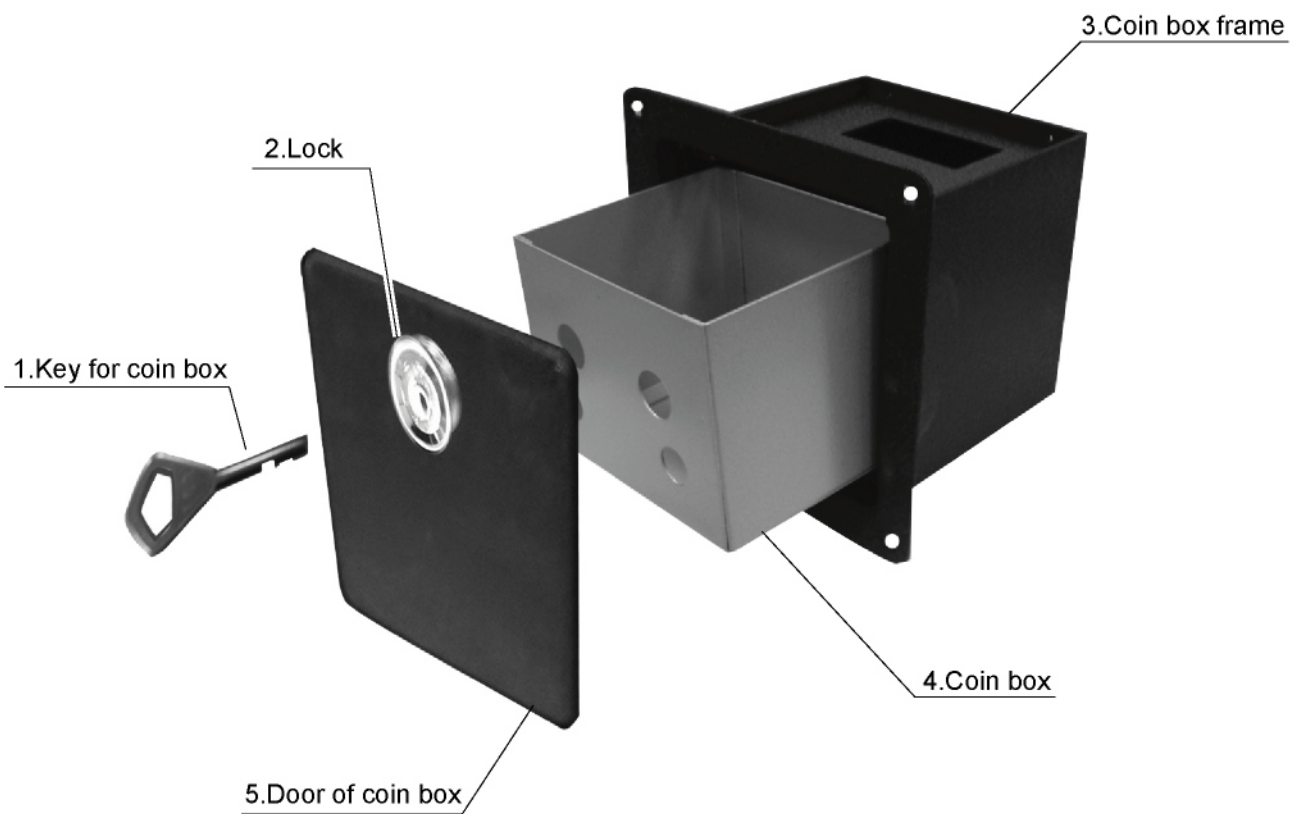
STEP2
 Adjust the right insert size for use from the front panel back side.

STEP3
 Select the right mode: Normal Open/ Normal Close" TIMER SWITCH" for synchronizing your system.
 100ms (Slow Speed/ Long Pulse)
 50ms (Medium Speed/ Medium Pulse)
 30ms (Fast Speed/ Short Pulse)

STEP4
 Adjust VR sensivity tunning
 Clockwise: slack selection (LED dark->light)
 Anti-clockwise: strict selection (LED light->dark)

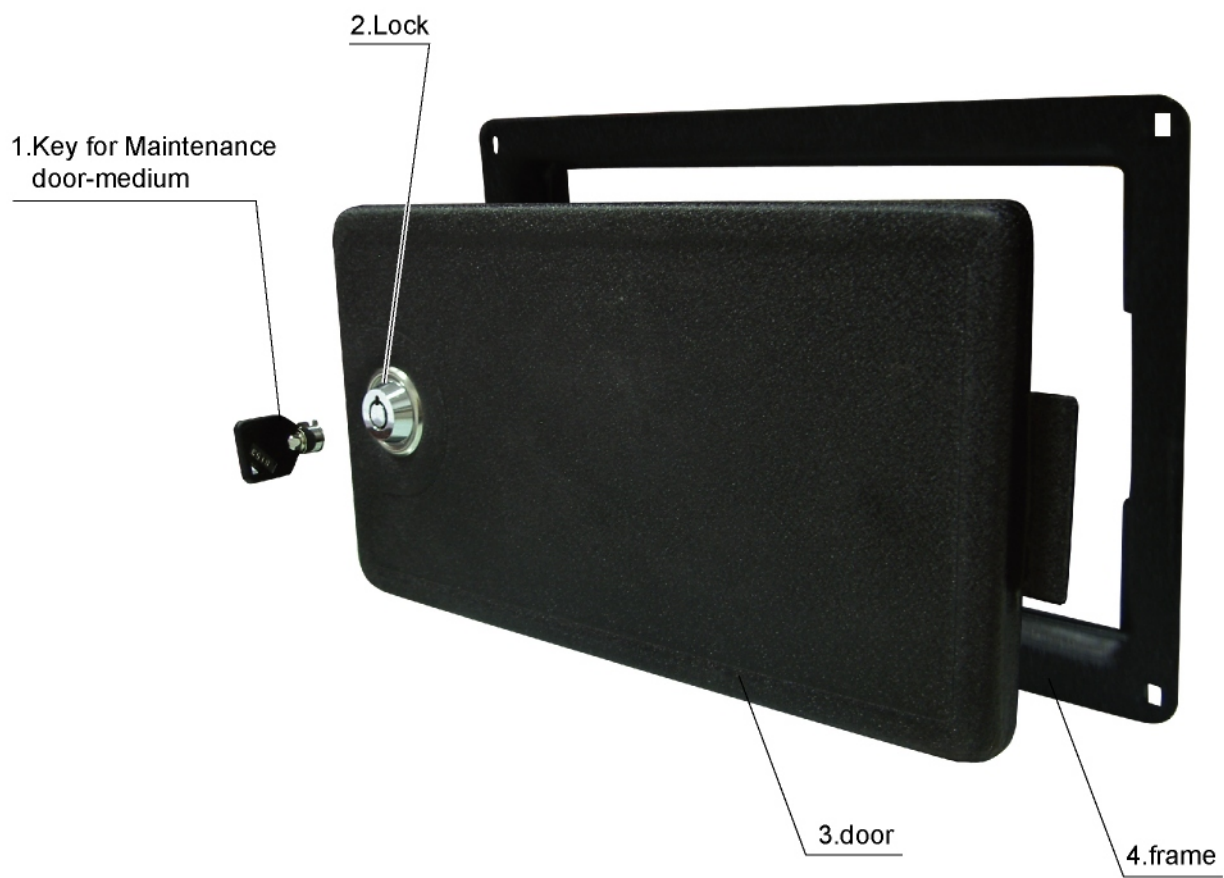


Coin Box Manual



size: W175mm x L145mm x H175mm

Maintenance Door-Medium Manual



size: W164mm x L20mm x H272mm

Part list - F-16 FIGHTER PLANE FRP Model Assembly

Item not illustrated

Item No	Part No	Description	QTY
-	FC-088	F-16 FIGHTER PLANE FRP Model	
1	FC-P0019	Acrilan cover#1	1
2	FC-P0020	Light#1	1
3	FC-P0016	Steering wheel#2	1
4	FC-P0026	Electronic coin machine	1
5	FC-P0007	Coin box	1
6	FC-P0030	Maintenance door-medium	1
7	FC-P0021	Light#2	5
8	FC-P0022	Light#3	2
9	FC-P0032	Power-plug locates at rear of base	1
10	FC-P0024	Fixer	6
11	FC-P0025	Wheel	4
12	FC-S0015	Control door	1
13	FC-P0001	Double frame	1
14	FC-M0003	Music box	1
15	FC-P0003	Controller	1
16	FC-S0014	Base of cloud shape	1
17	FC-S0017	Ladder	1
18	FC-P0023	Handlebar#1	2
19	FC-S0016	FRP model of F-16 Fighter Plane	1
20	FC-P0027	Key#1	1
21	FC-P0028	Key#2	1
s1	FC-ST002	Sticker#1(U.S.A)	2
s2	FC-ST003	Sticker#2(FC-088)	2
s3	FC-ST004	Sticker#3(F-16)	2
s4	FC-ST005	Sticker#4(flag)	2
s5	FC-ST006	Sticker#5(flag)	2
s6	FC-ST001	Warning Sign Sticker	2