

**Walking Animal**  
**Short Head Animals**



**WA-001 Panda**



**WA-002 Tiger**



**WA-003 Leopard**



**WA-004 Puppy**



**WA-007 Fly Elephant**



**WA-009 Bunny**



**WA-010 Sheep**



**WA-011 Pink Pig**



**WA-012 Milk COW**

**Specification**

**The walking animal is a battery coin operator amusement machines**

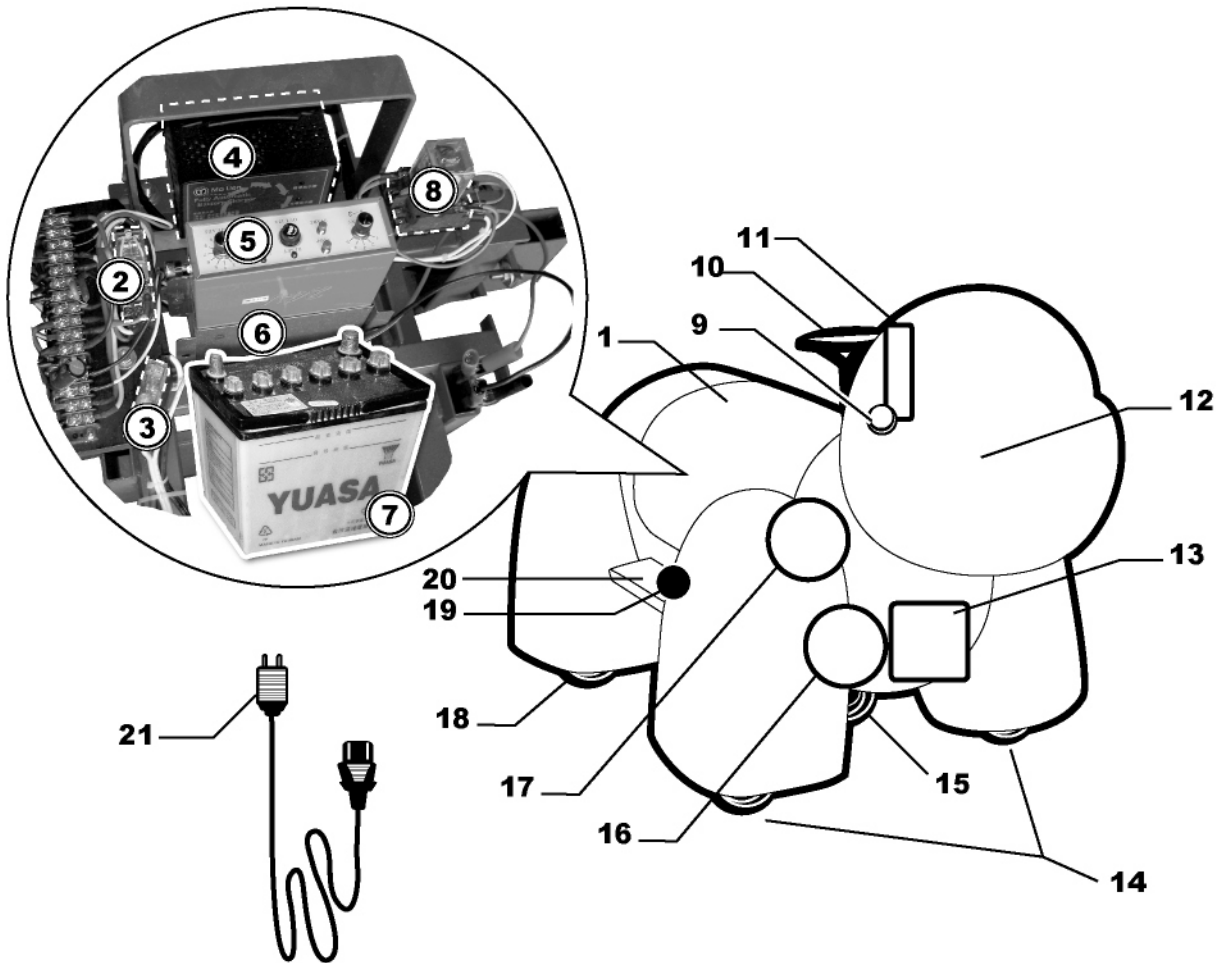
1. It uses DC power 12V battery walking around on the ground.
2. It can make turn to right or left, but it can not reverse.
3. Start and stop by a foot paddle.
4. Battery be charged by Automatic battery charger
5. Constructions with 12 different animal designs cloth to covers FRP material body.

**Dimension** L155 x W80 x H90 cm

**Weight** 90 kgs

**Voltage** 110V AC, 60Hz, 3A, Max 6A  
 220V AC, 50Hz, 3A, Max 6A  
 DC Power 12V

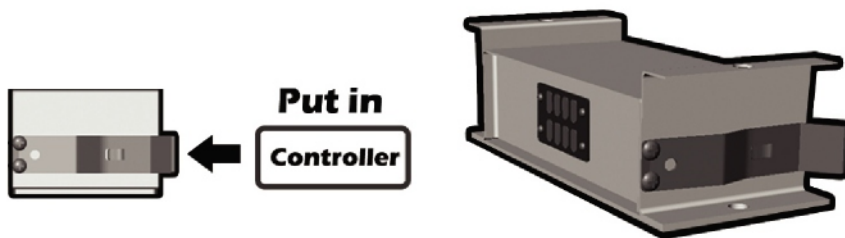
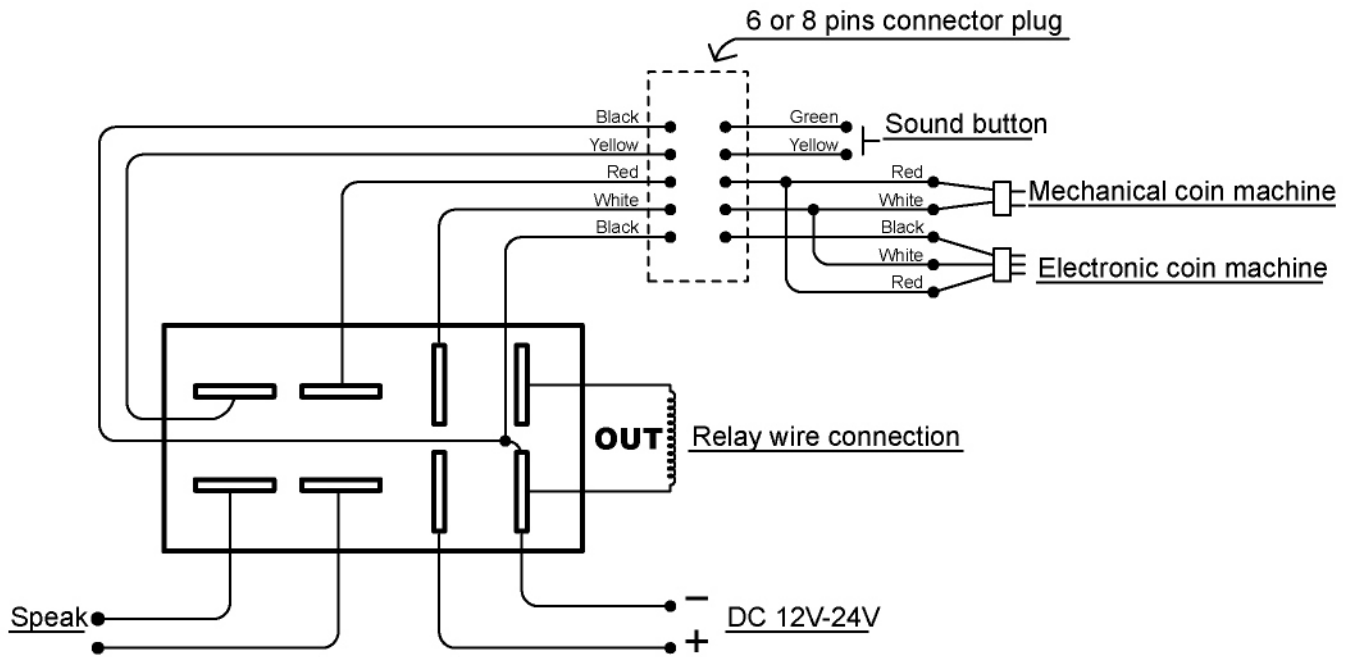
**Short Head Animal Detail Manual**



- 1. Control door
- 2. Relay-small
- 3. Fuse-30A
- 4. Automatic battery charger
- 5. Controller
- 6. Single frame
- 7. Battery-12V
- 8. Relay-big
- 9. Sound button
- 10. Steering wheel#2

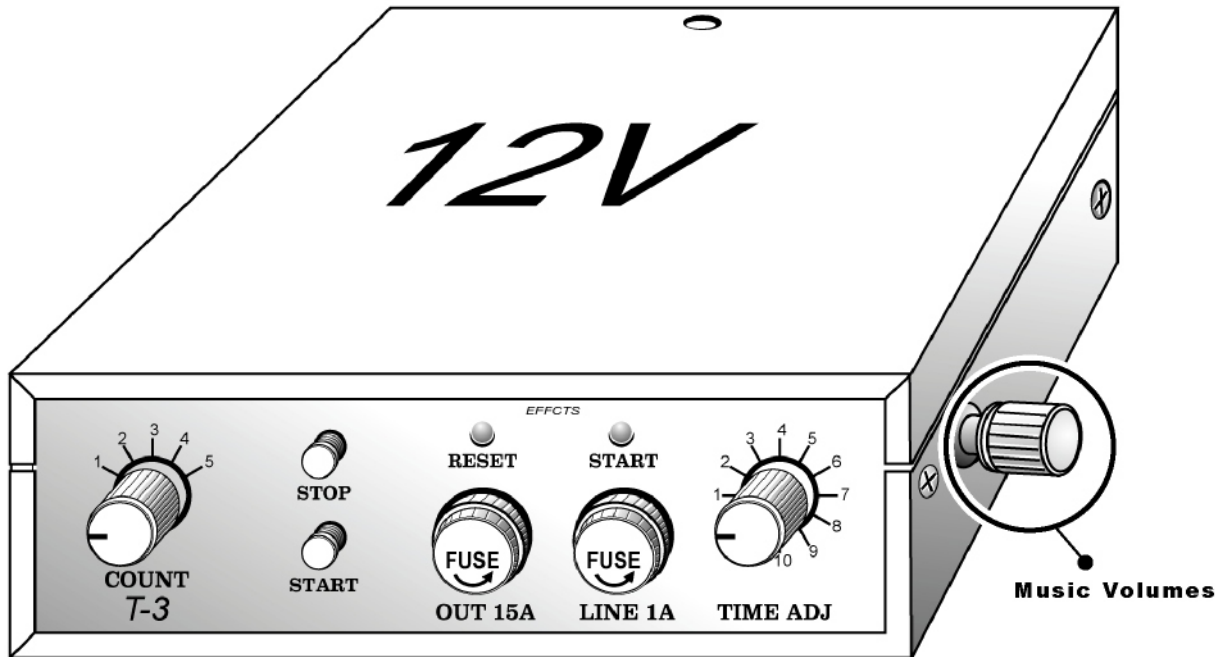
- 11. Mechanical coin machine(key#1)
- 12. Short Head Animal FRP
- 13. Coin box(key#2)
- 14. Front wheel
- 15. Middle wheel
- 16. Motor(on the Middle wheel)
- 17. Speaker
- 18. Back wheel
- 19. Foot pedal(only one side)
- 20. Aluminum pedal
- 21. Battery charger plug

**Single Frame Wire Manual**



size: W188mm x L78mm x H57mm

**Controller Operating Manual**



**Count:** Adjust the coin from 1 coin to 5 coins

**Stop Button:** For Checking machine without insert coin to "STOP" the machine

**Start Button:** For Checki machine without insert coin to "START" the machine

**Reset:** Red lighting when power connect

**Start:** Green lighting when machine start to working

**1~12 play Time adjust:**

- |                             |                             |
|-----------------------------|-----------------------------|
| 1. 1 Minute and 30 Seconds  | 7. 3 Minutes and 30 Seconds |
| 2. 1 Minute and 40 Seconds  | 8. 4 Minutes                |
| 3. 1 Minute and 50 Seconds  | 9. 4 Minutes and 30 Seconds |
| 4. 2 Minutes                | 10. 5 Minutes               |
| 5. 2 Minutes and 30 Seconds | 11. 10 Seconds for testing  |
| 6. 3 Minutes                | 12. 0                       |

**Music Volumes:**

**1-12: Sound Volumes adjust**

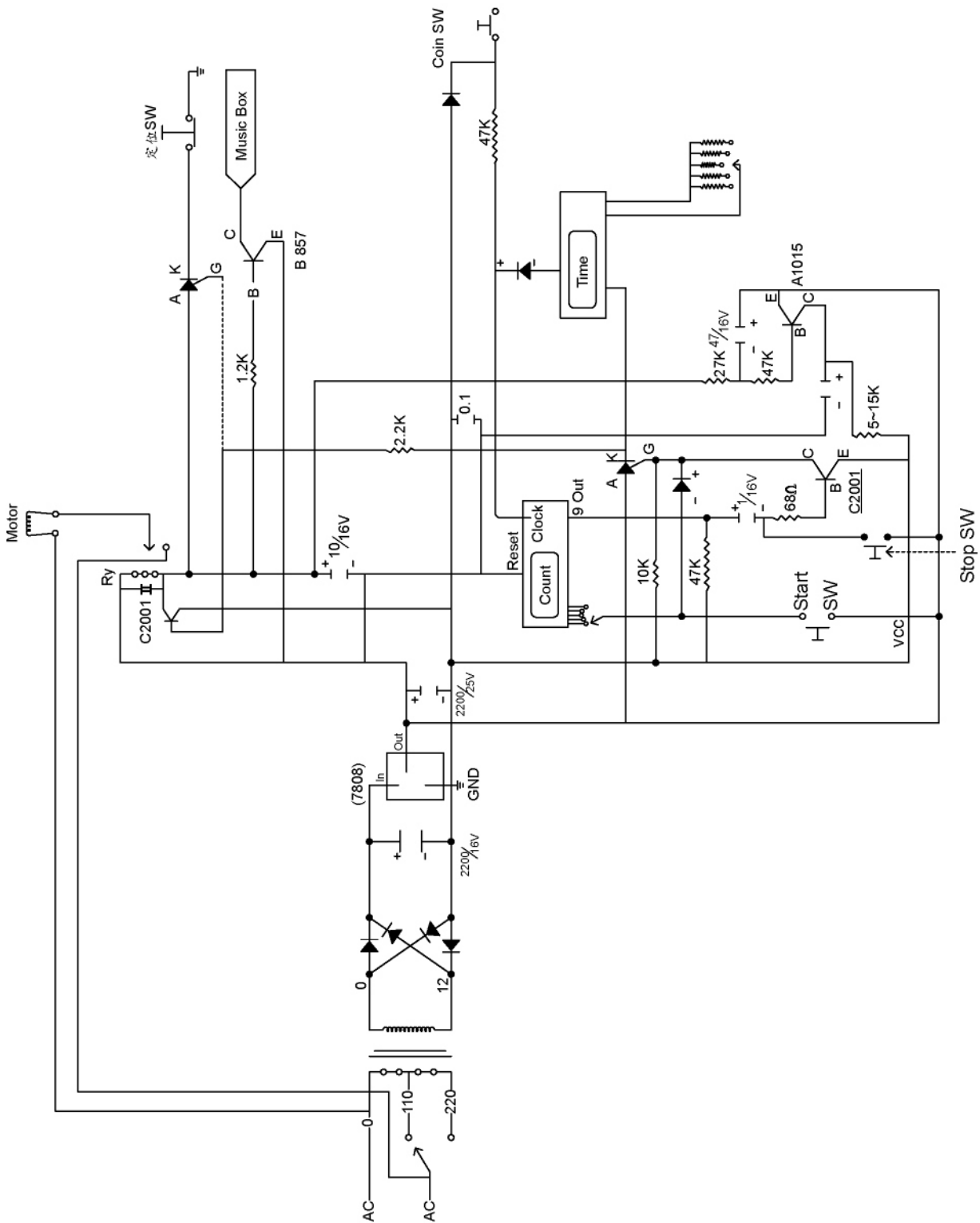


front view

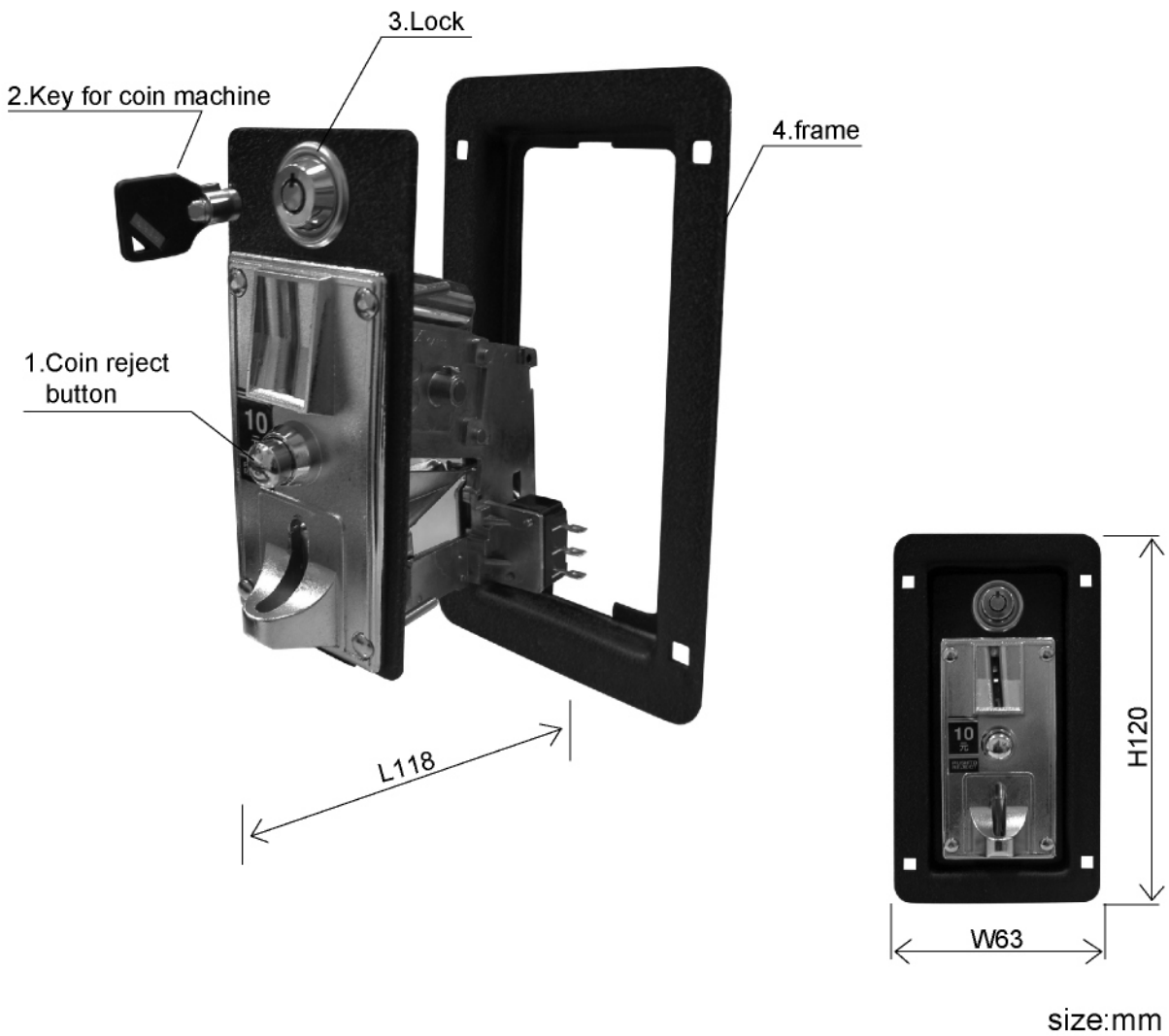
side view

back view

**Controller Wire Manual**



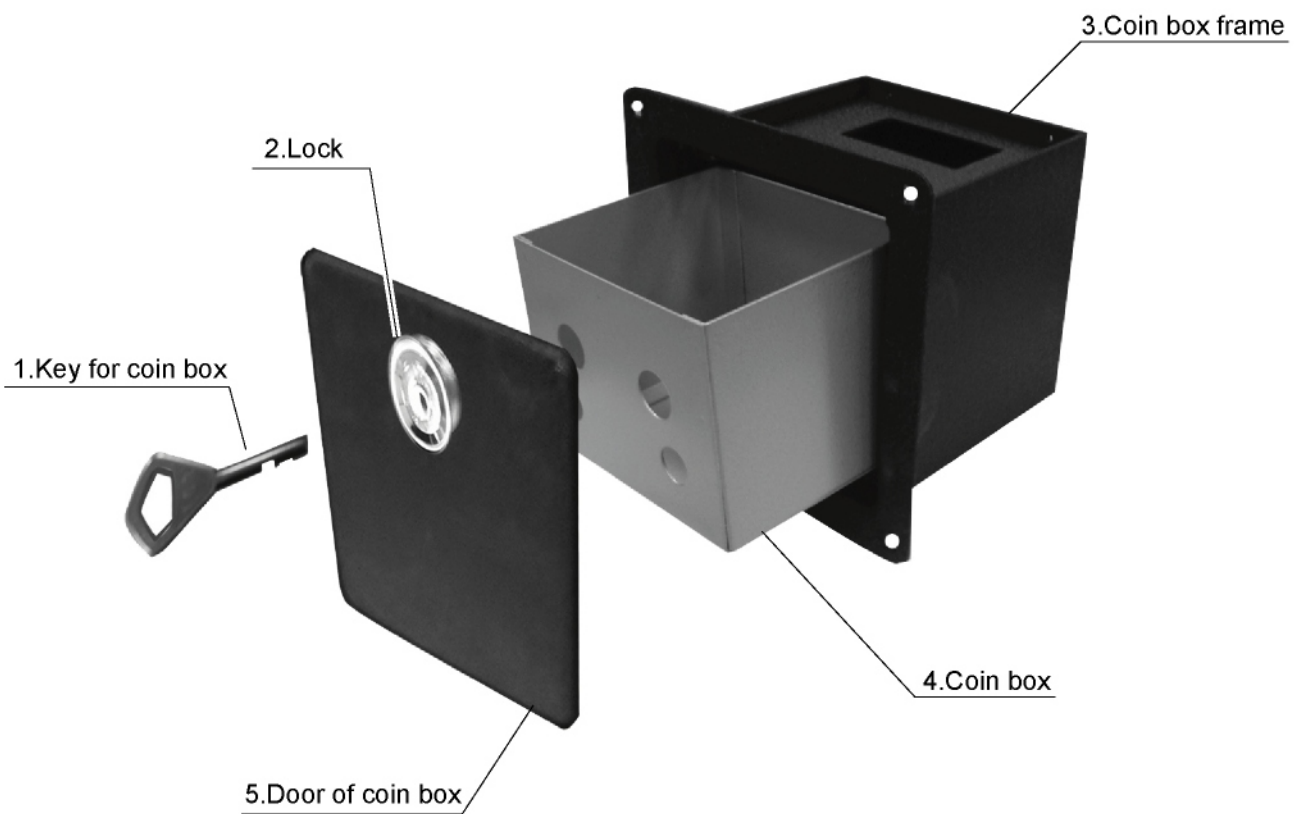
**Mechanical Coin Machine Operating Manual**



**KA-03/Zinc Die-Cast Coin Selector**

1. Select coins by diameter, thickness, and magnetism.
2. Block (100V-AC, 12V-DC, or 24V-DC,... etc.) attachable.
3. Front plate and body made of zinc die-cast for sturdiness.
4. Acceptable coin size: 20-30MM in diameter.

**Coin Box Manual**



size: W175mm x L145mm x H175mm

Part list - Short Head Animal FRP Model Assembly

**Item not illustrated**

<b>Item No</b>	<b>Part No</b>	<b>Description</b>	<b>QTY</b>
-	WA	Short Head Animal FRP Model	
1	FC-S0030	Control door	1
2	FC-P0047	Relay-small	1
3	FC-P0049	Fuse-30A	1
4	FC-P0052	Automatic battery charger	1
5	FC-P0051	Controller	1
6	FC-P0050	Single frame	1
7	FC-P0053	Battery-12V	1
8	FC-P0048	Relay-big	1
9	FC-P0054	Sound button	1
10	FC-P0016	Steering wheel#2	1
11	FC-P0006	Mechanical coin machine	1
12	FC-S0028	Short Head Animal FRP	1
13	FC-P0007	Coin box	1
14	FC-P0055	Front wheel	2
15	FC-P0056	Middle wheel	1
16	FC-P0058	Motor	1
17	FC-P0004	Speaker	1
18	FC-P0057	Back wheel	2
19	FC-P0059	Foot pedal	1
20	FC-P0060	Aluminum pedal	2
21	FC-P0061	Battery charger plug	1
22	FC-P0027	Key#1	1
23	FC-P0028	Key#2	1