

**Fiabe Hydraulics**



## Fiabe Hydraulics

J-270, MIDC BHOSARI

PUNE-411026.

Email: [fiabehydraulics@gmail.com](mailto:fiabehydraulics@gmail.com)

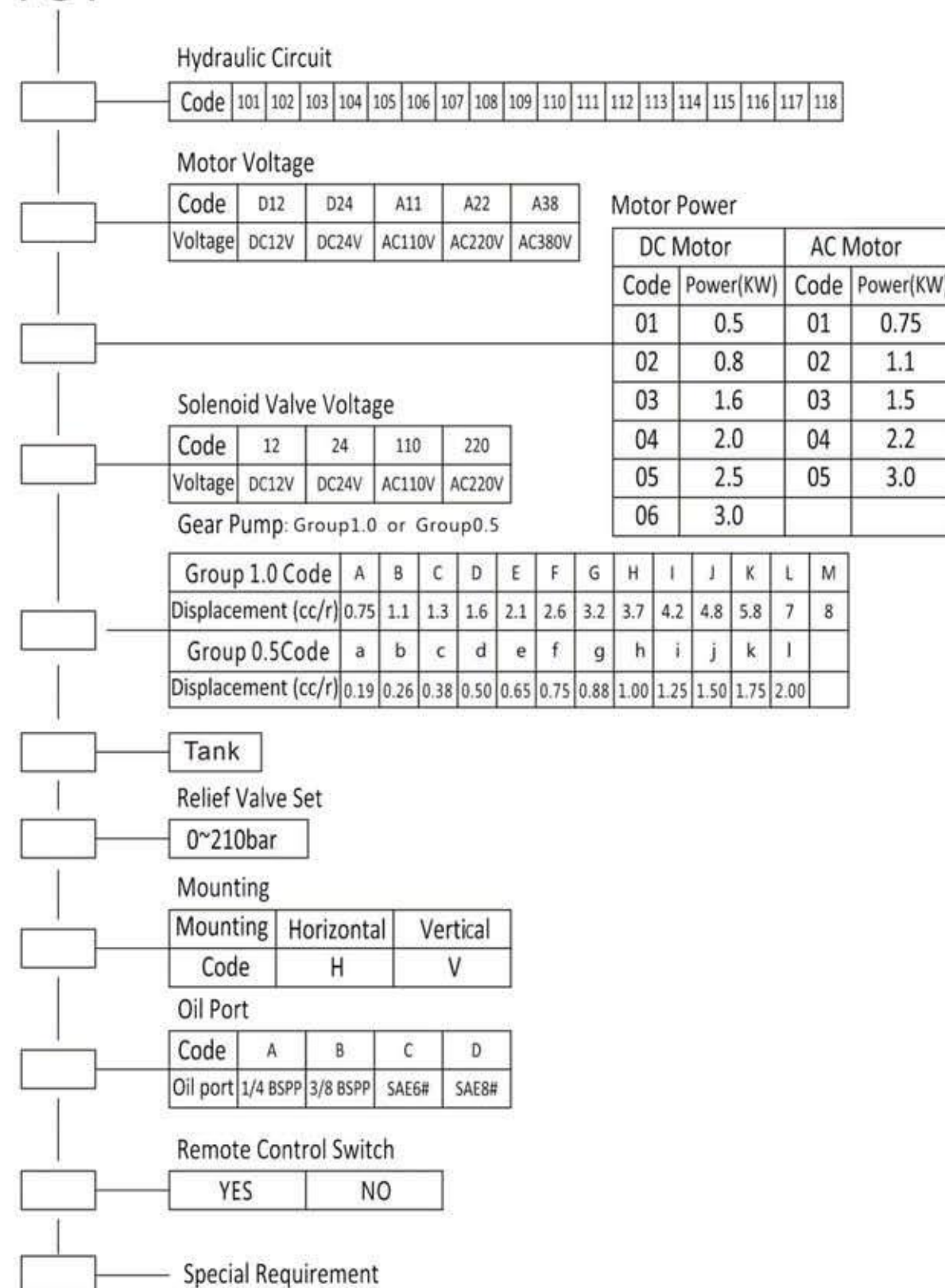
[sales@fiabehydraulic.in](mailto:sales@fiabehydraulic.in)

Website: [www.fiabehydraulics.in](http://www.fiabehydraulics.in)



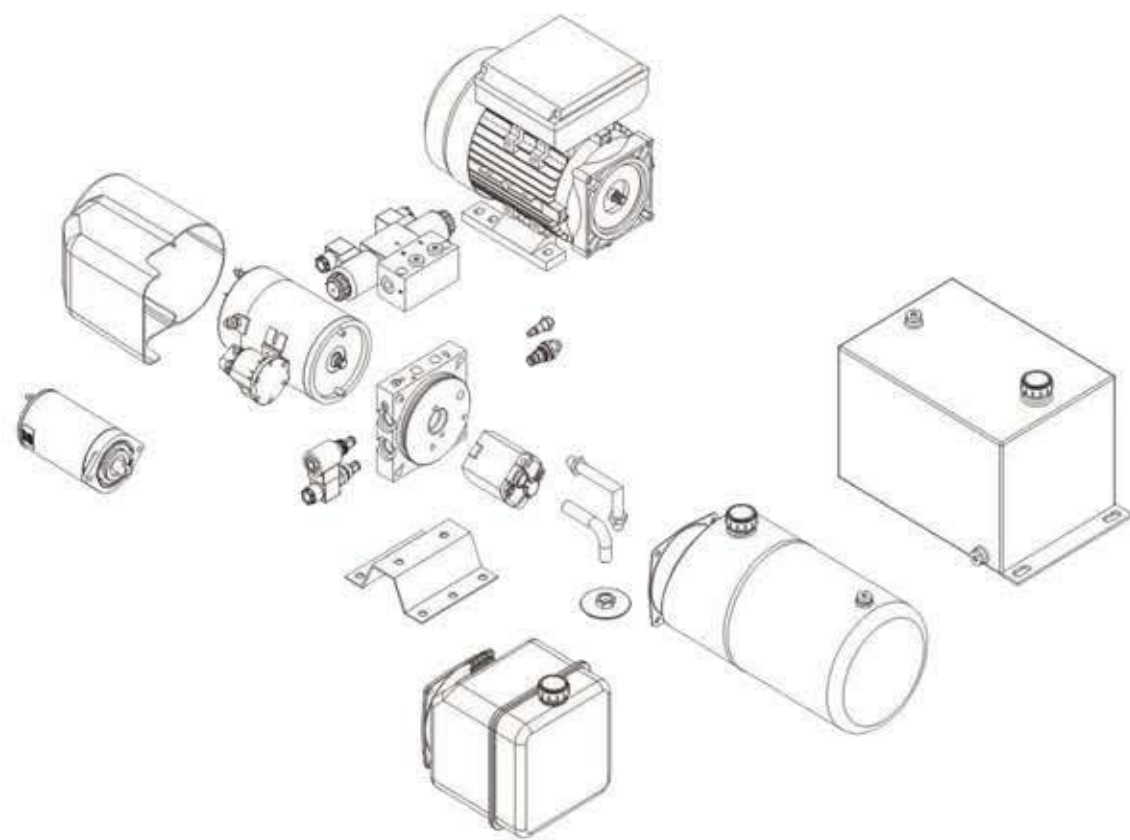
## How to order Hydraulic Power Unit

TGT



## Contents

How to order Hydraulic Power Unit	
Central Manifold	A
Hydraulic Lift Valve	A
Custom Manifolds	A
Stacking Manifold Block	A
Cartridge Valve	B
Cartridge Hand Pump	B
Stacked Valve	B
Motor	C
Tank	D
Gear Pump	E
Accessories	F
Hydraulic Circuit	G
Hydraulic Power Unit	H

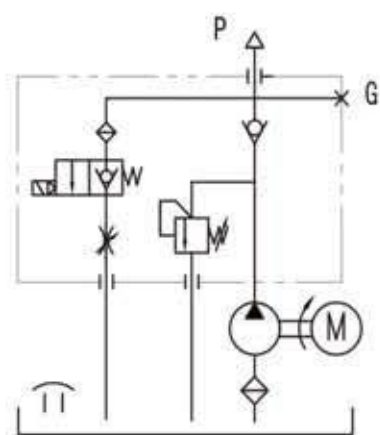
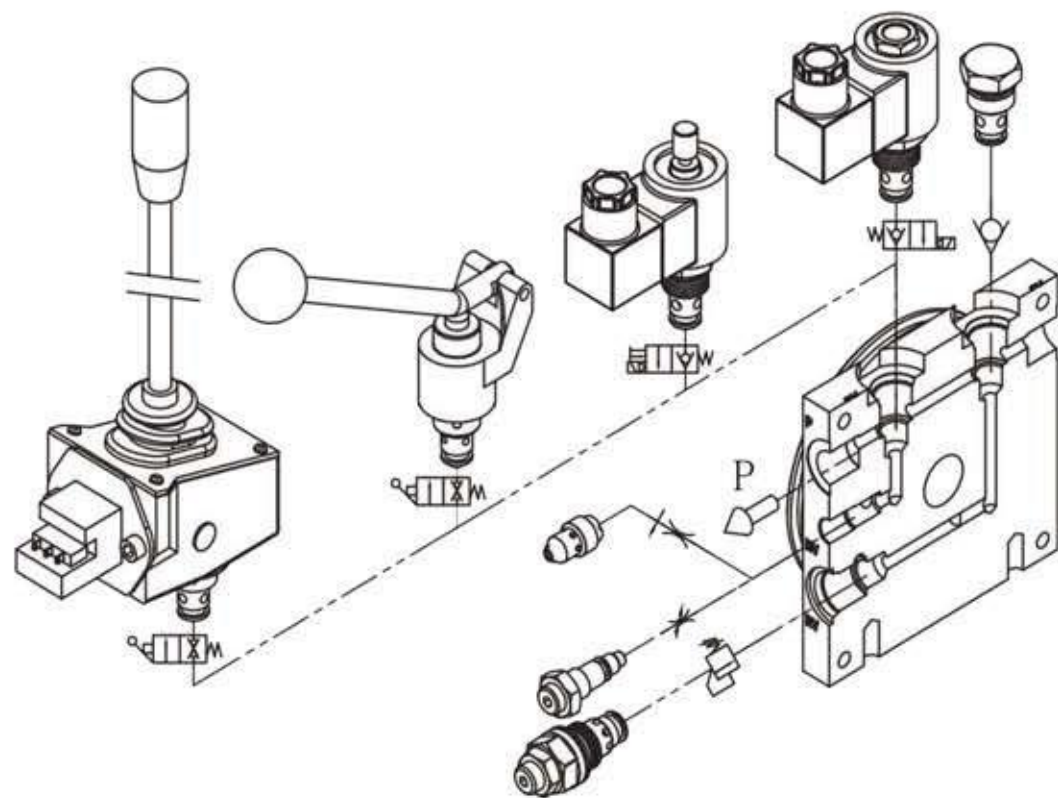




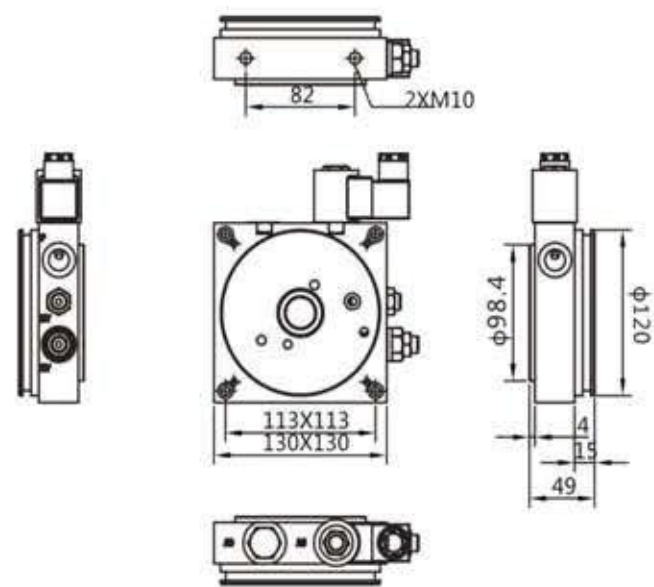


Fiable Hydraulics

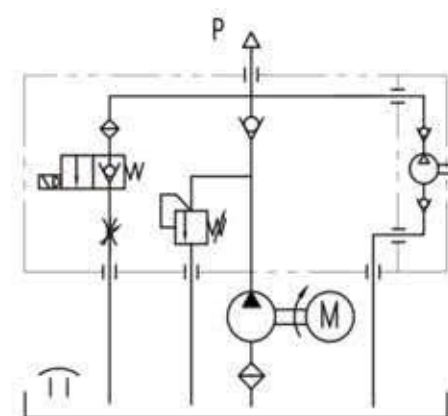
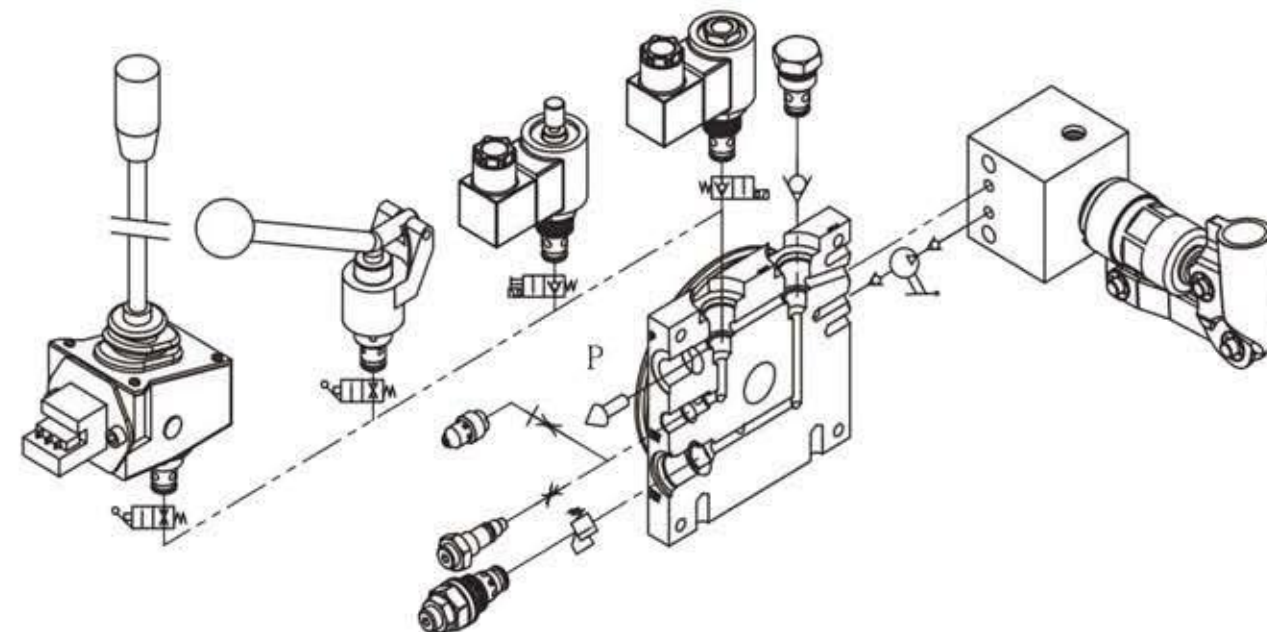
### Central Manifold:500101



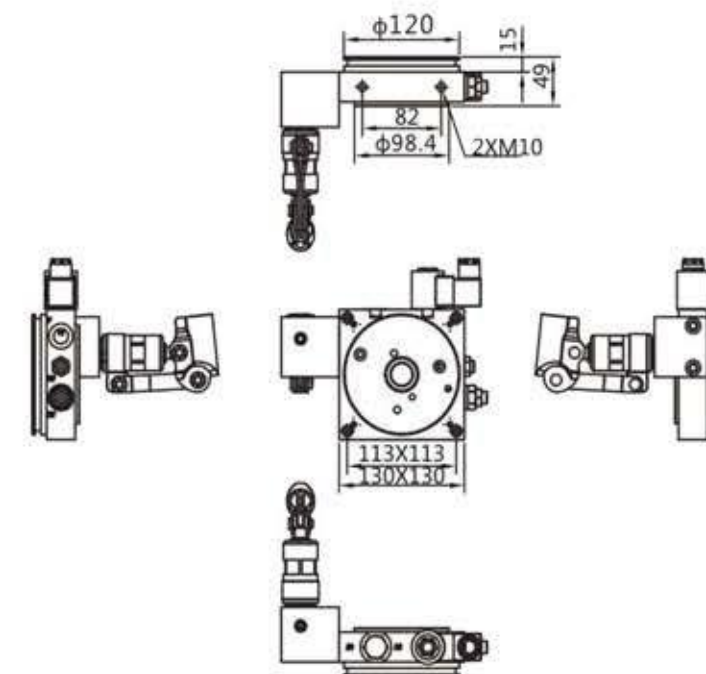
101



### Central Manifold:500103 Stacked Manifold:560783



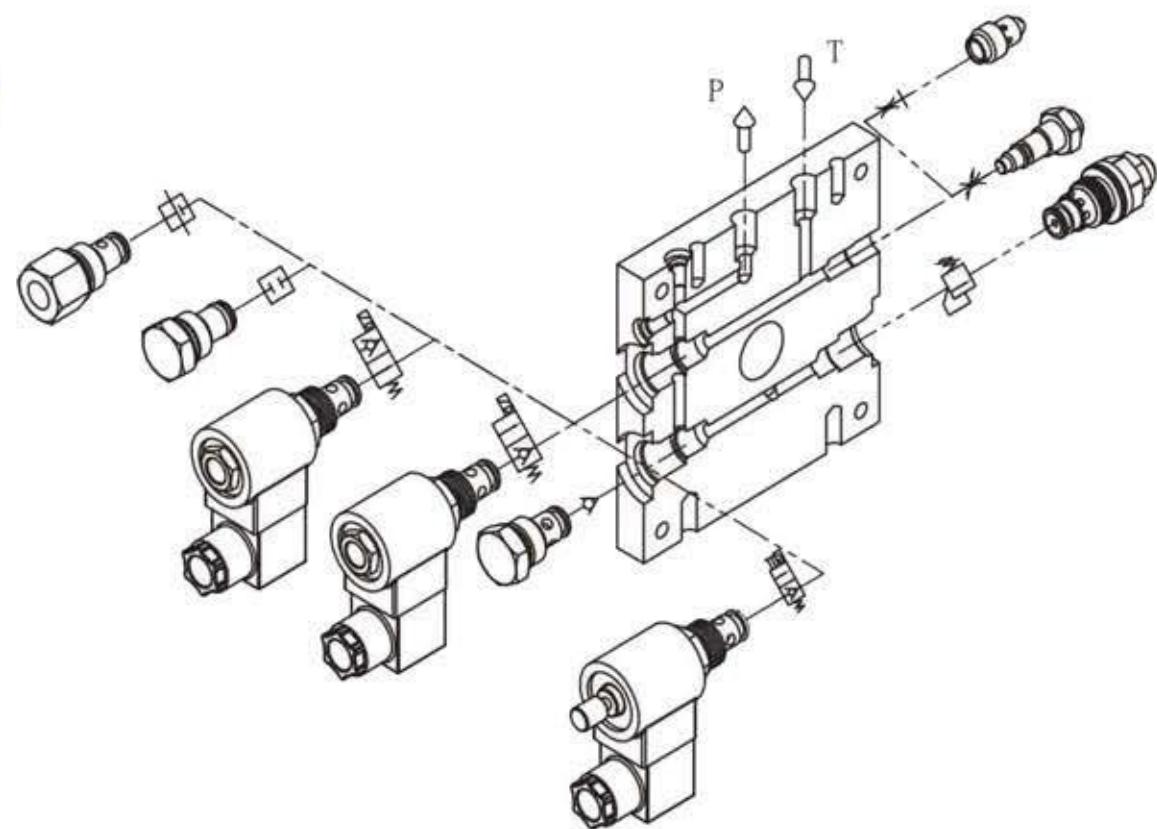
103



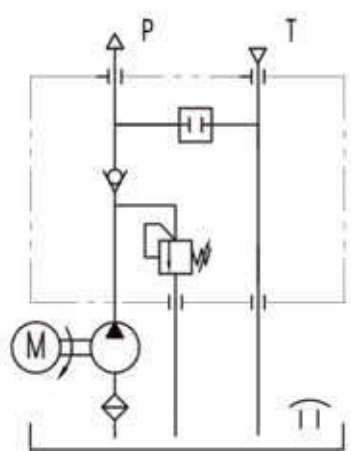
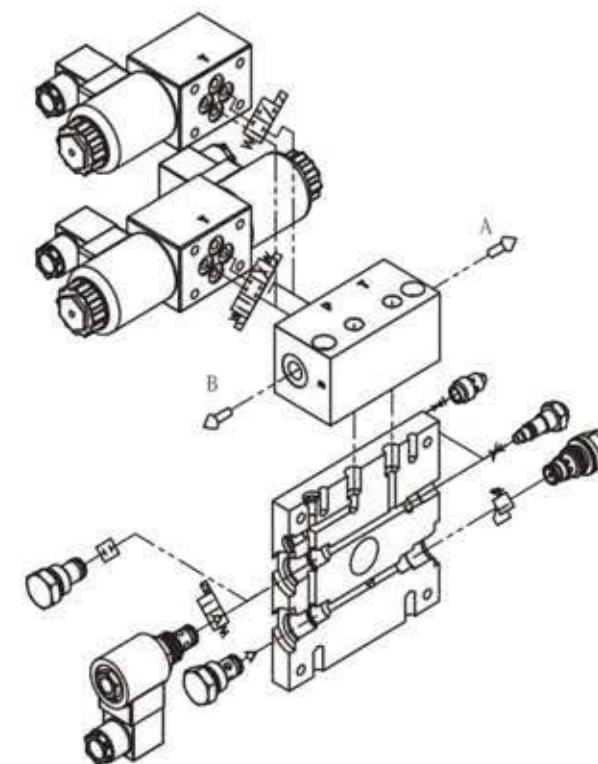


Fiable Hydraulics

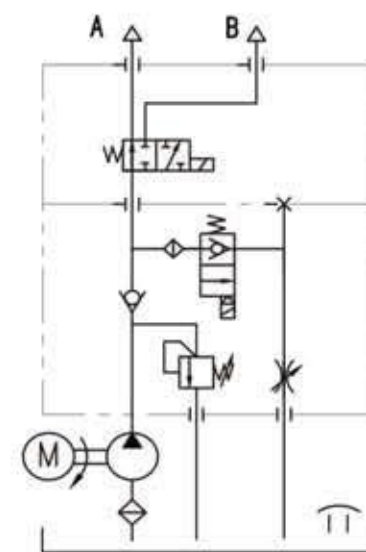
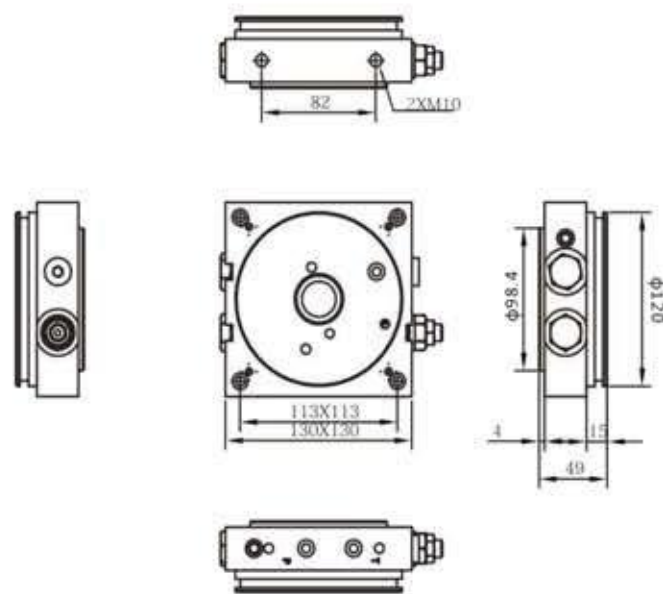
### Central Manifold:500208



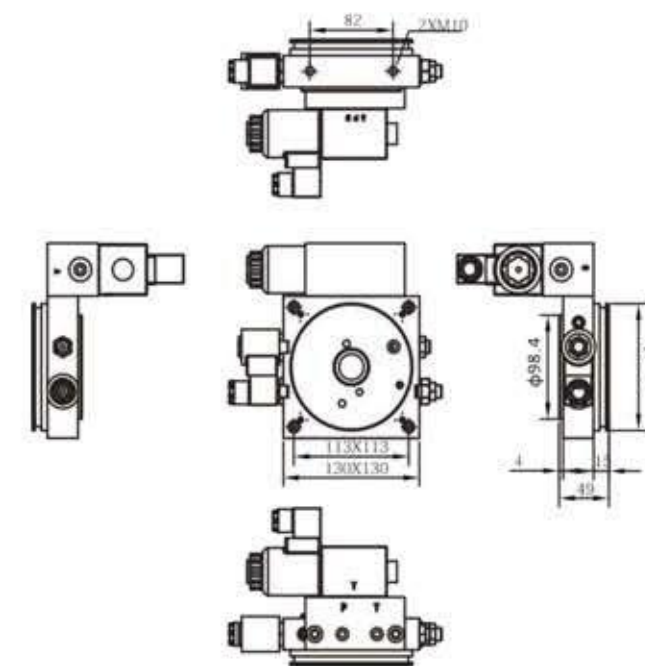
### Central Manifold:500208 Stacked Manifold:560102



107



110

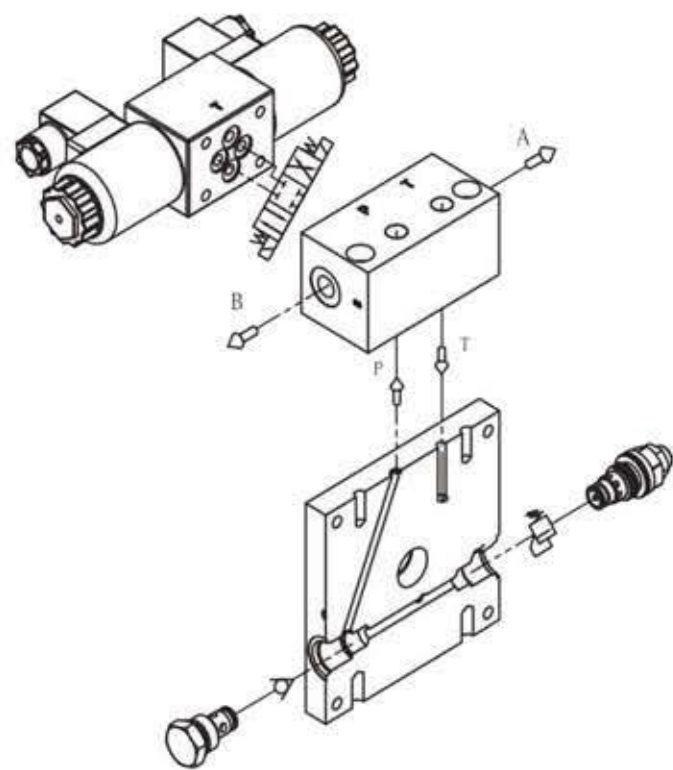




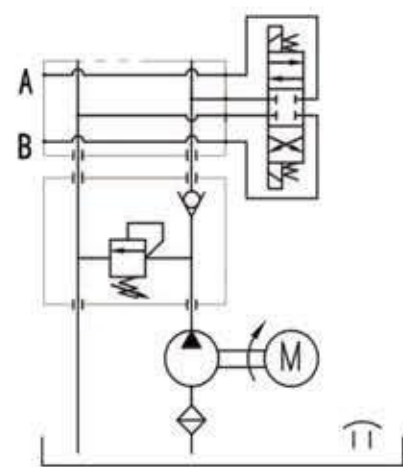
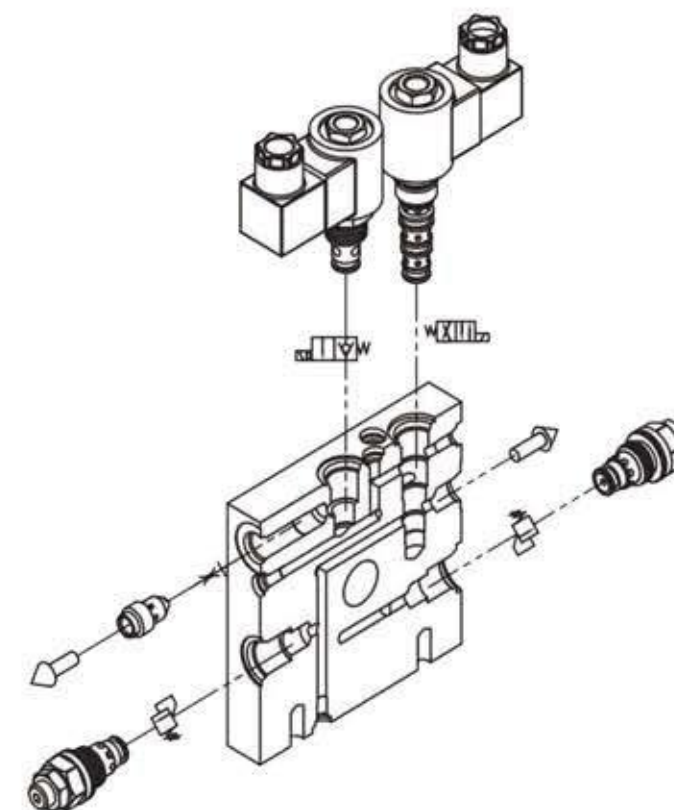


Fiable Hydraulics

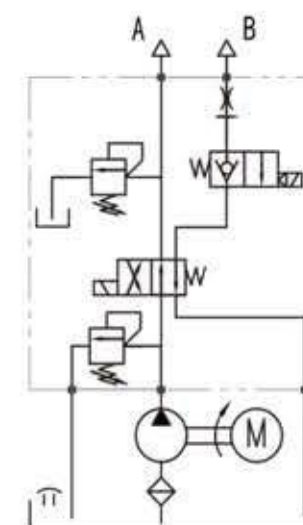
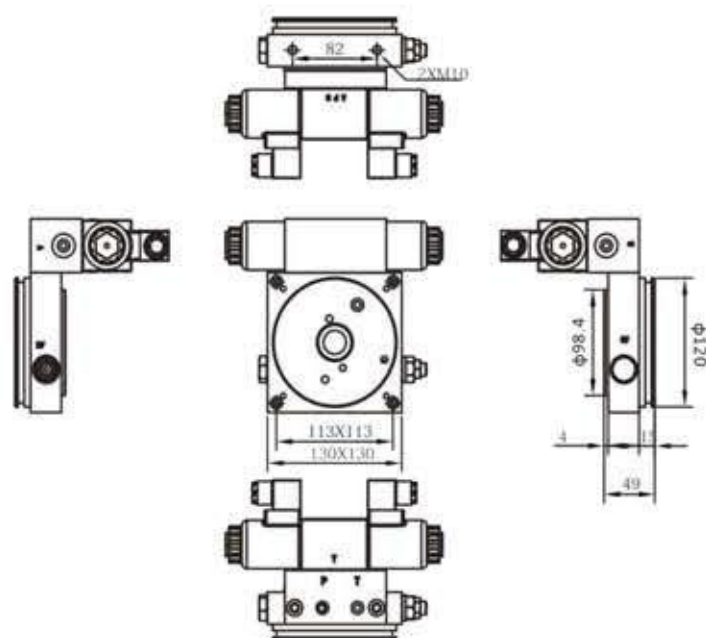
Central Manifold:500202  
Stacked Manifold:560102



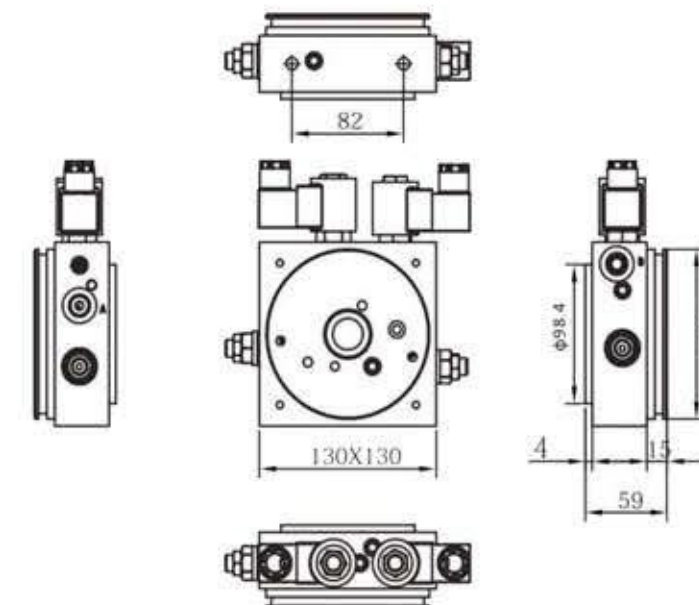
Central Manifold:500216



111



116



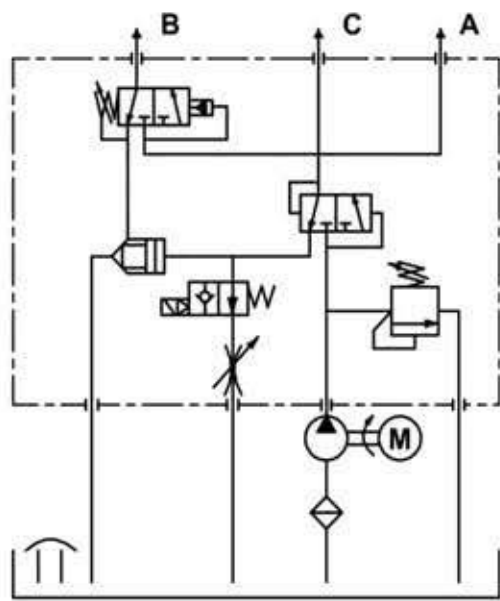
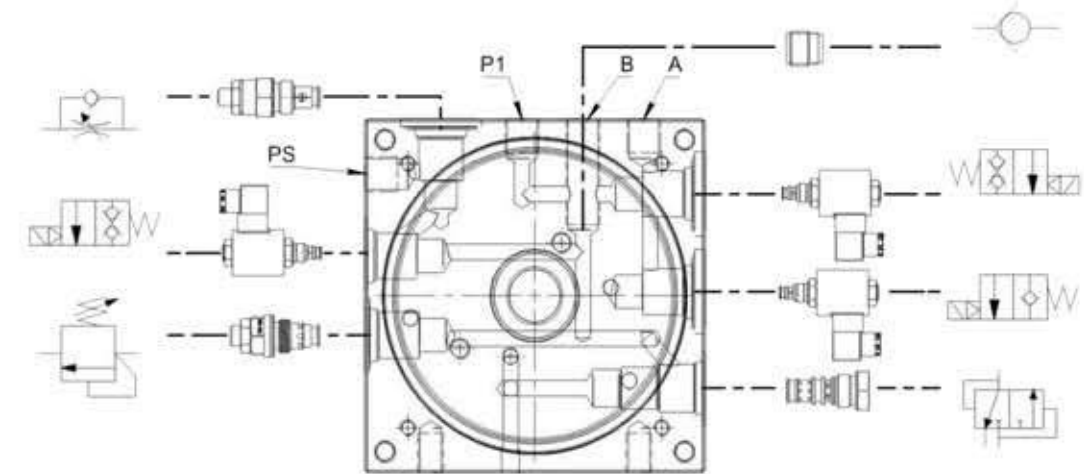
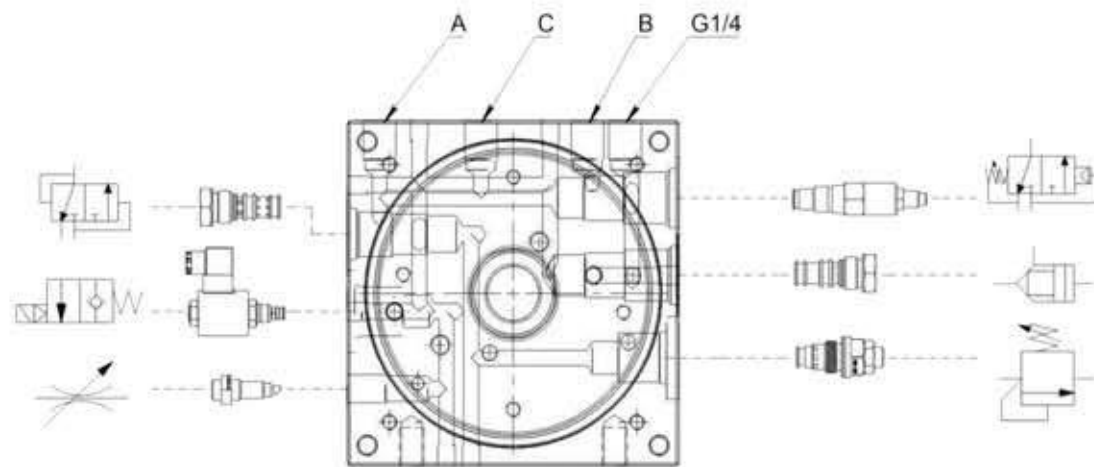


# Central Manifold:500151

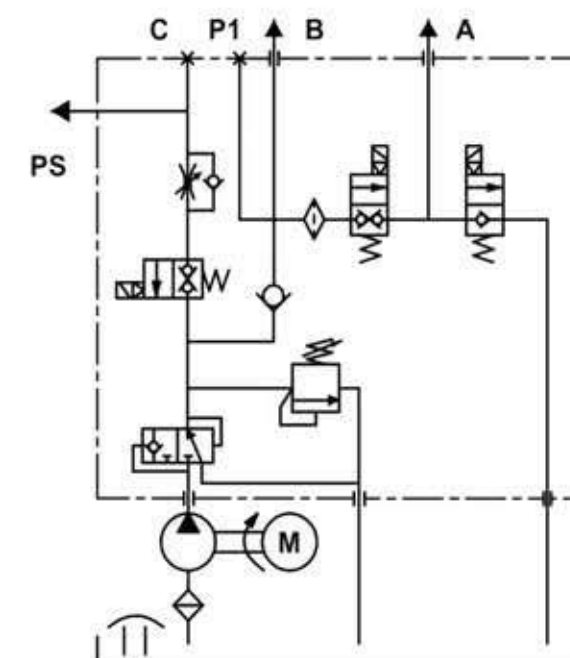
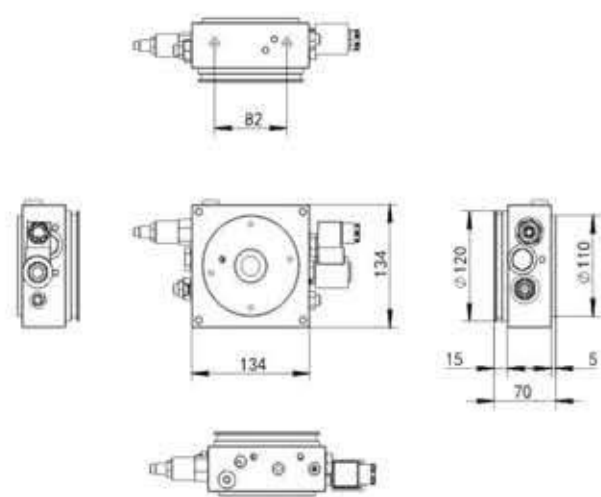


Fiable Hydraulics

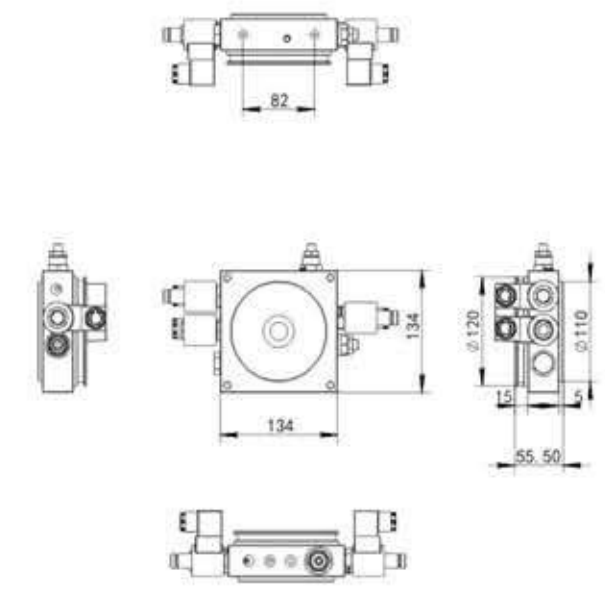
# Central Manifold:500153



Dock Leveller



Dock Leveller

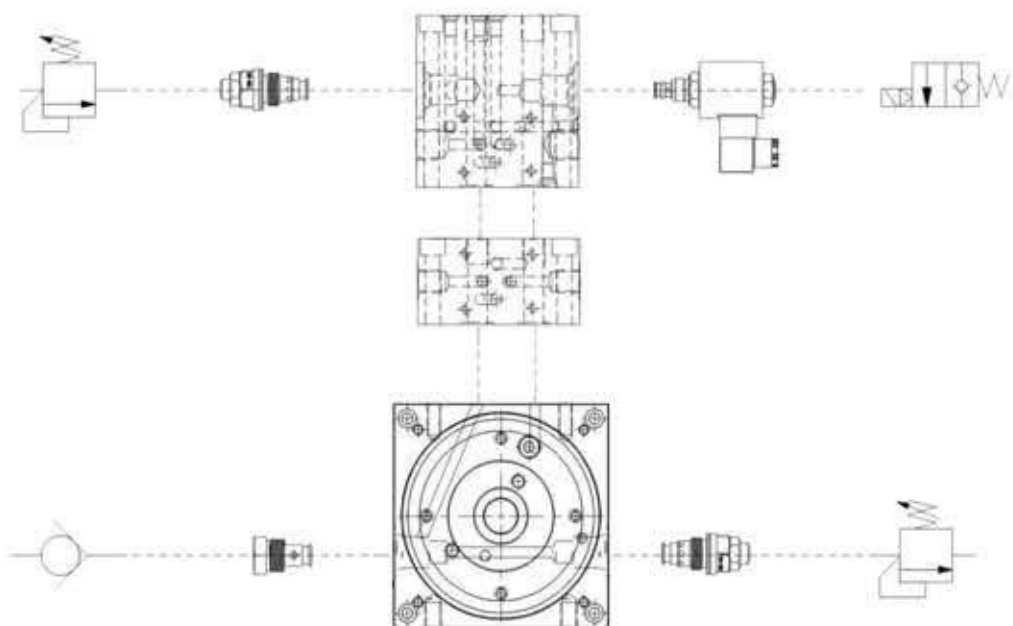




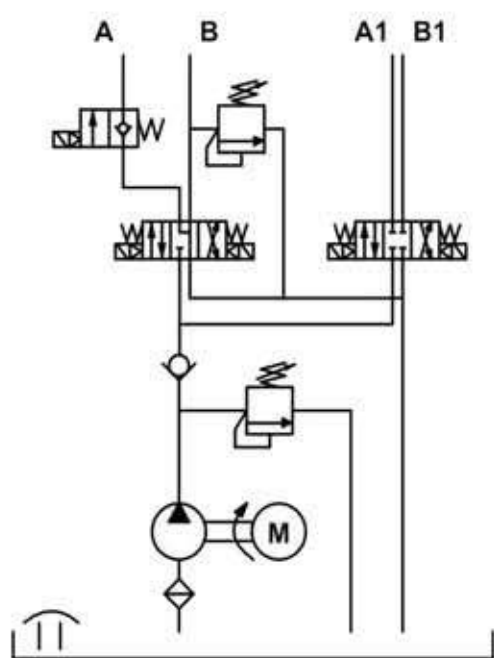
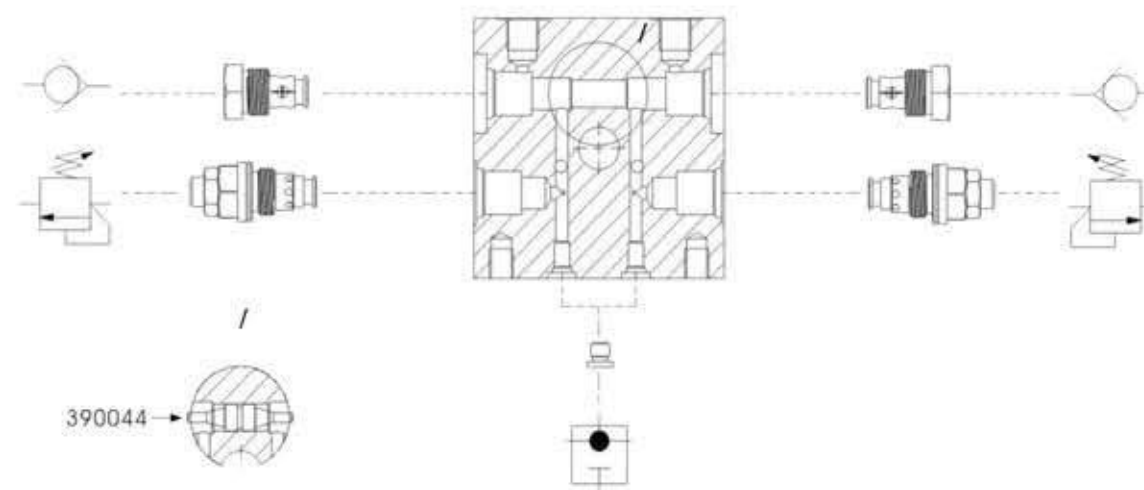


Fiable Hydraulics

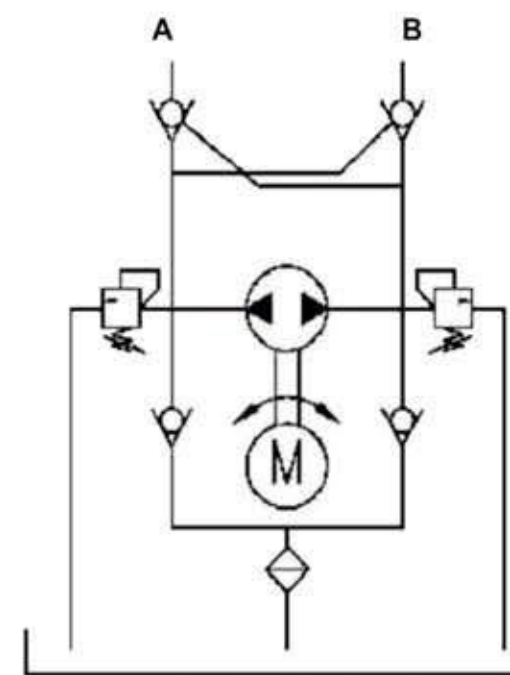
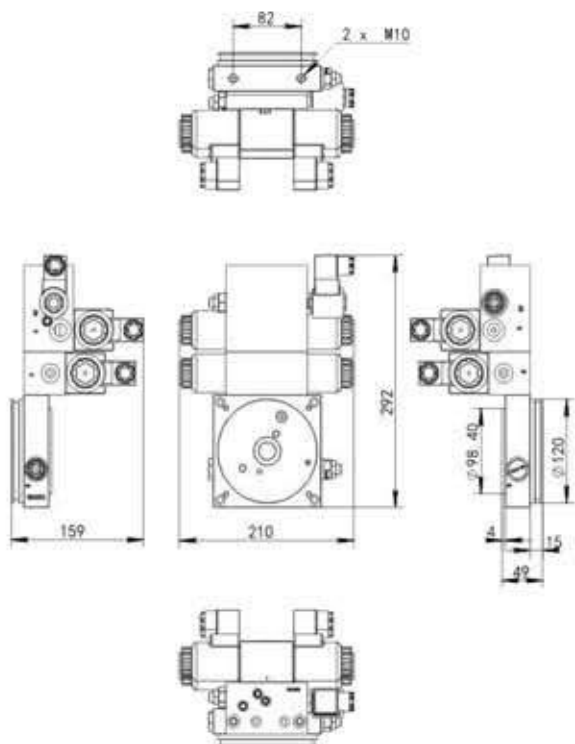
# Central Manifold:500202 Stacked Manifold:560102 560105



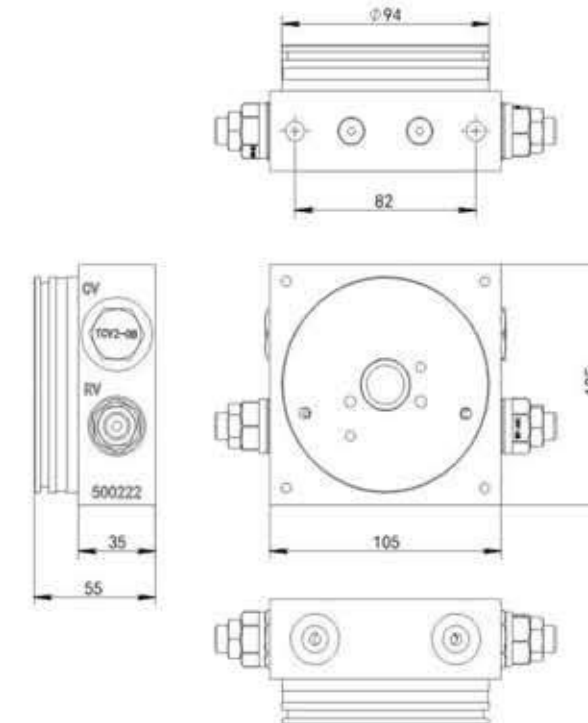
# Central Manifold:500222



Snow Plow



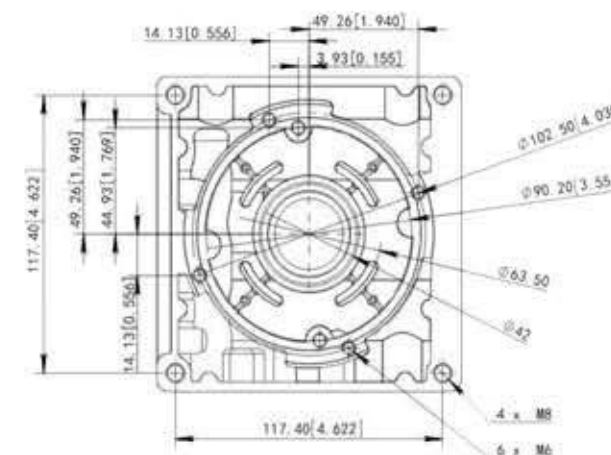
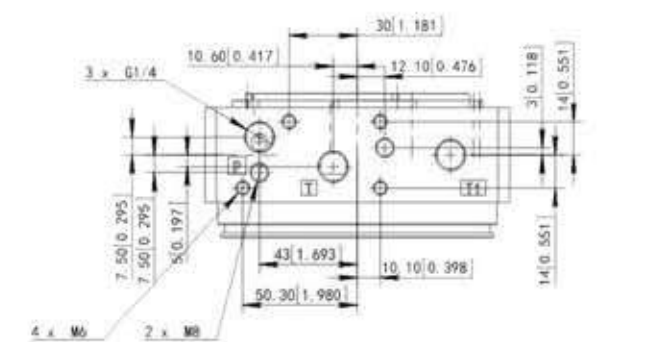
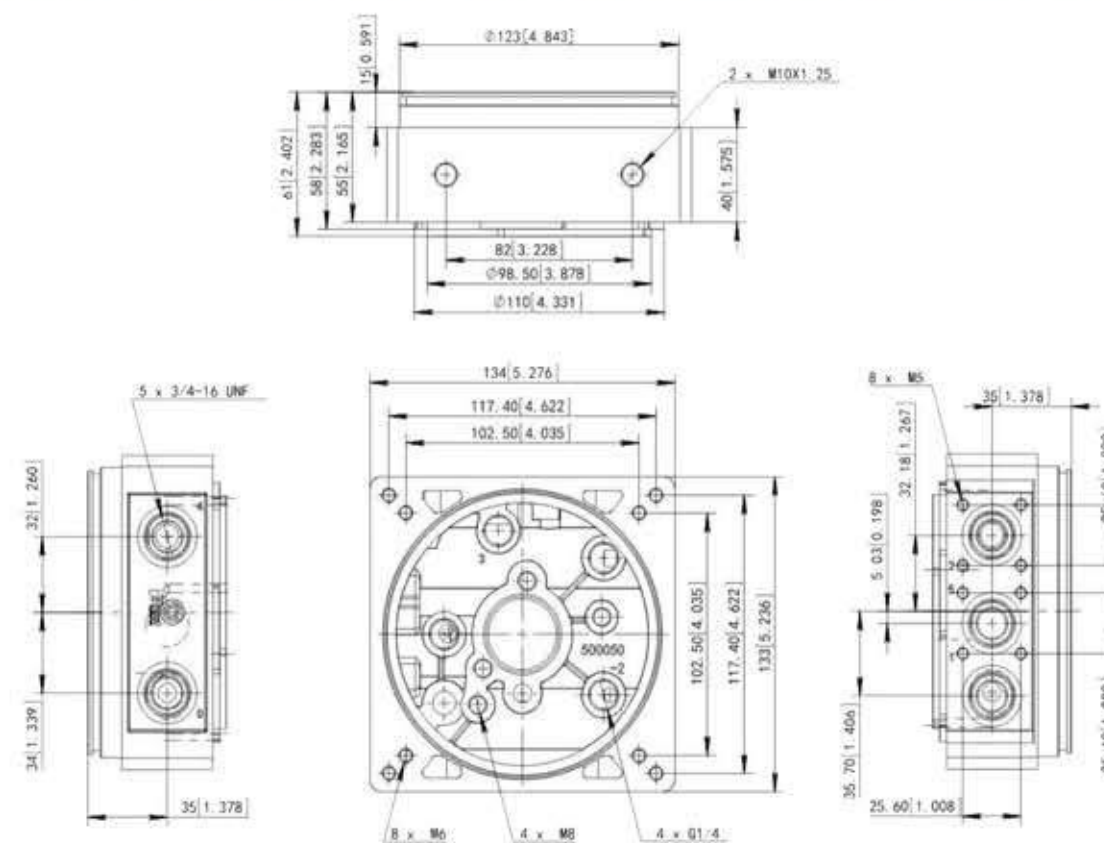
222





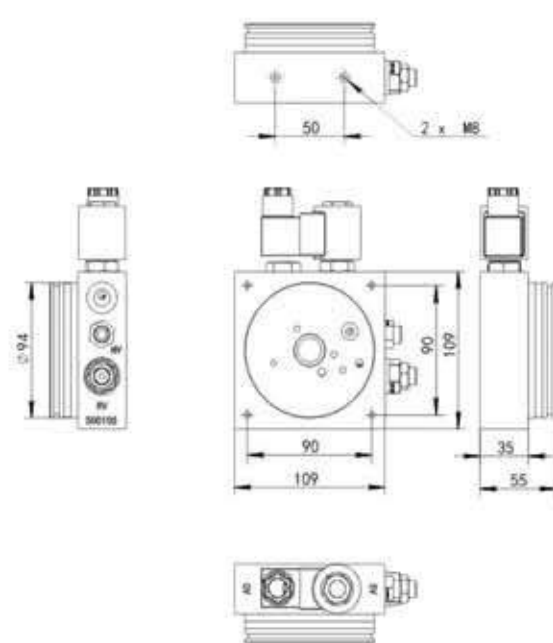
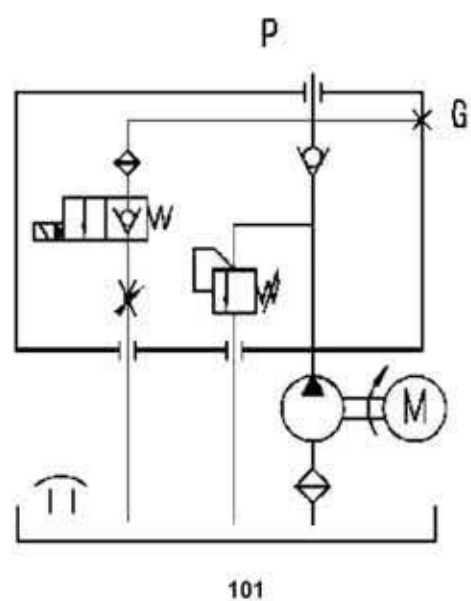
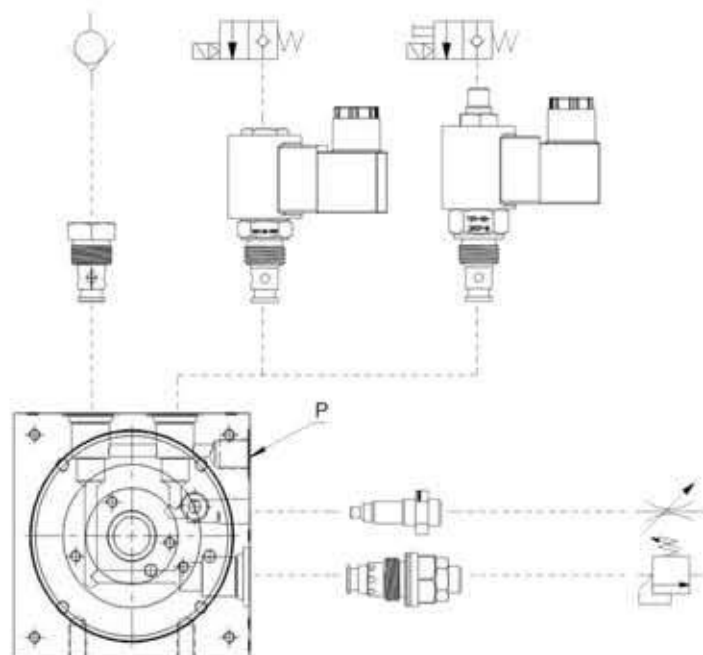
Fiable Hydraulics

## 500050-2 CENTRAL MANIFOLDS-OVERALL DIMENSIONS



Manifolds	500050-2
Weight	1.10kg

## Central Manifold:500105

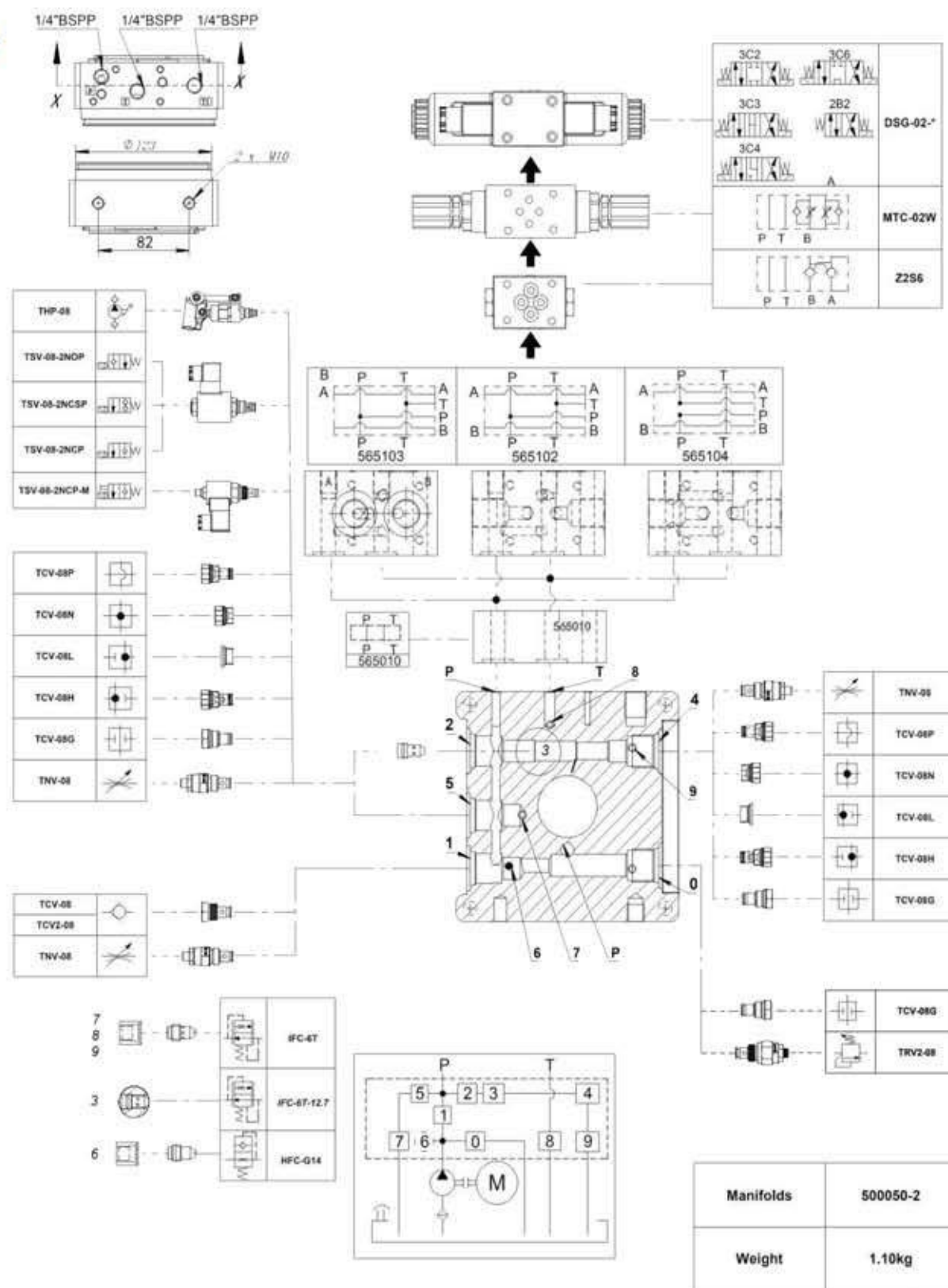




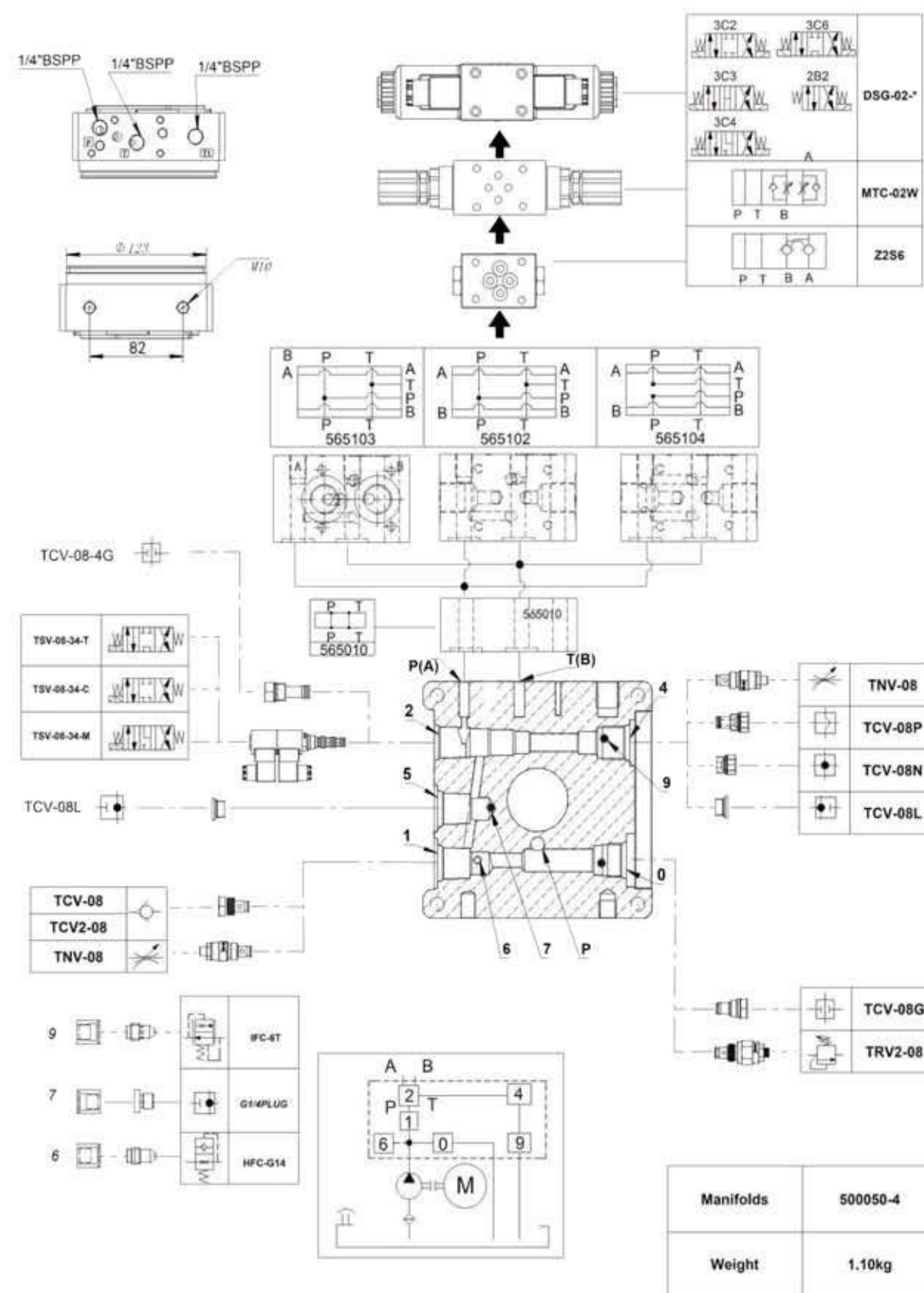


Fiable Hydraulics

## 500050-2 CENTRAL MANIFOLDS CAVITIES & COMPONENTS



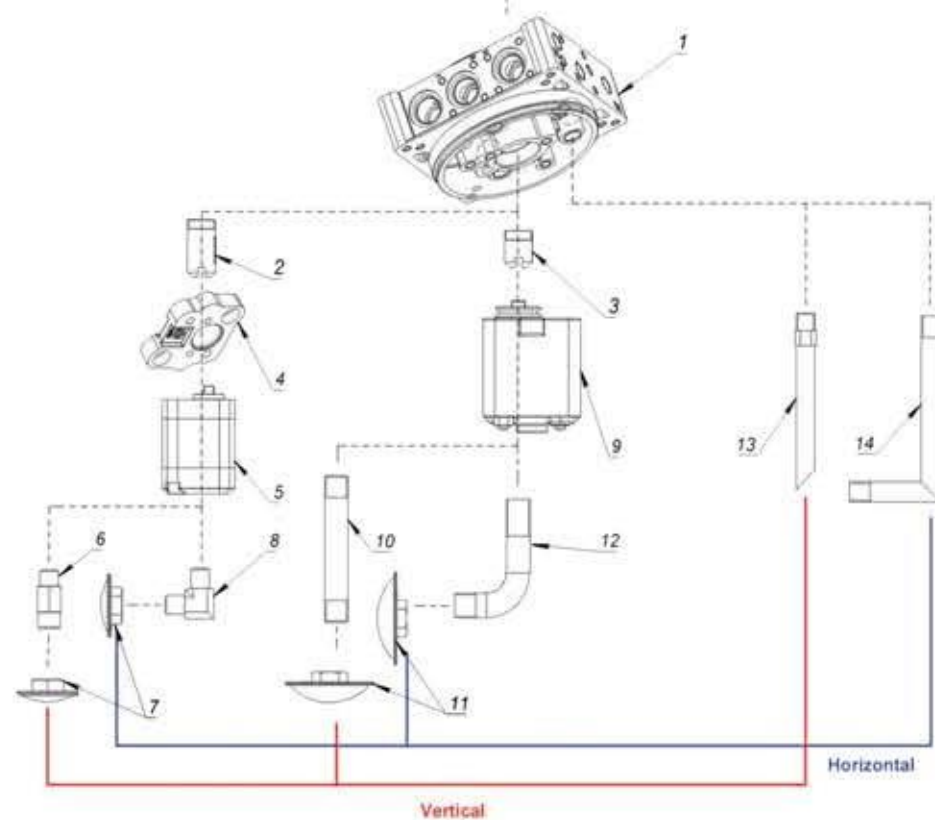
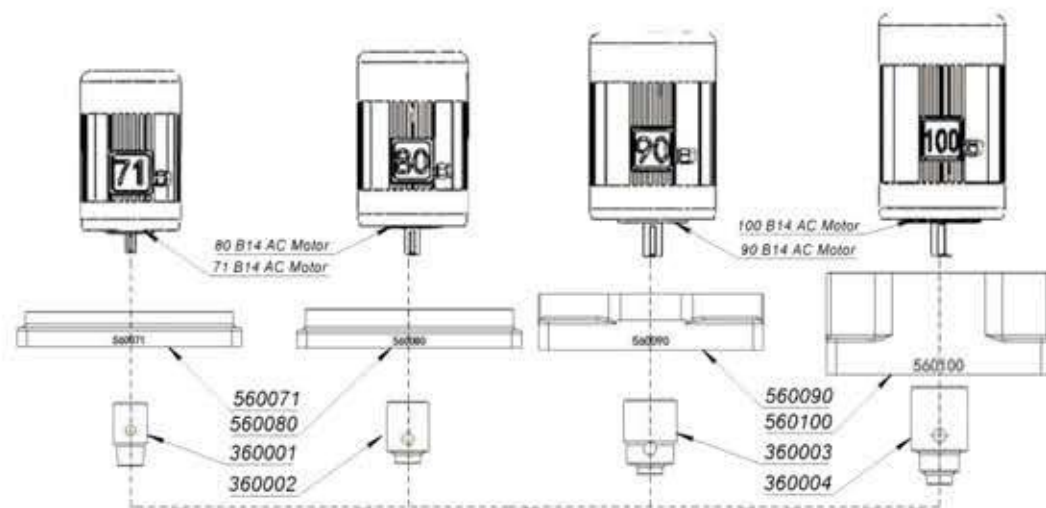
## 500050-4 CENTRAL MANIFOLDS CAVITIES & COMPONENTS





Fiable Hydraulics

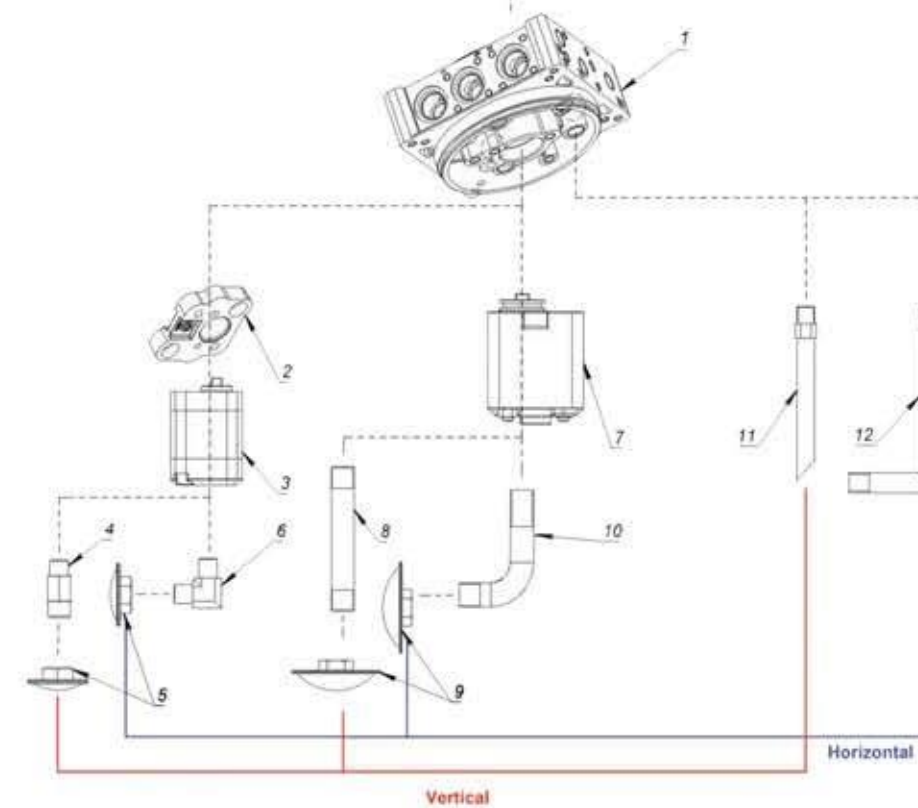
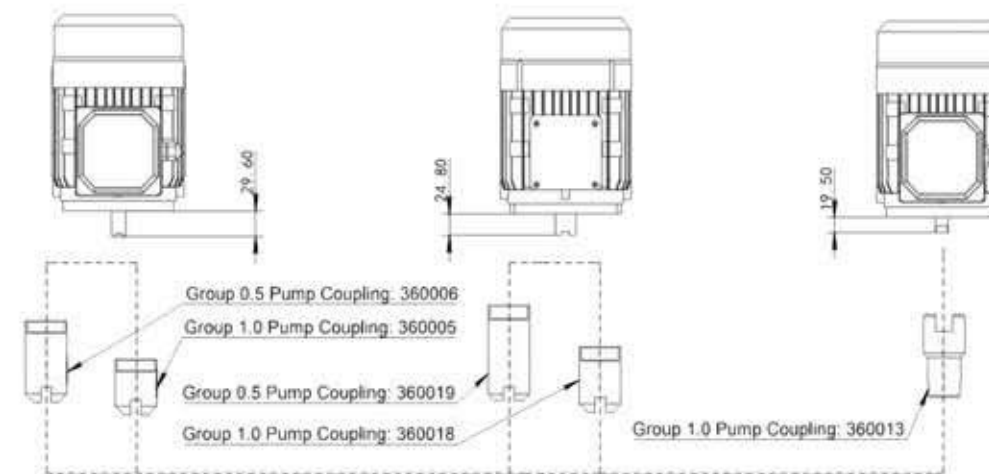
## B14 AC MOTORS PUMPS & ACCESSORIES ASSEMBLY GUIDE



Number	1	2	3	4	5	6	7
Item	500050-2	360006	360005	560001	Group 0.5 pump	ZG38-14-*	F43

Number	8	9	10	11	12	13	14
Item	ZG38-14-90	Group 1.0 pump	PSP-*	F65	ZG38-90	RP-G14-*	RP-14-90

## INTEGRAL AC MOTORS PUMPS & ACCESSORIES ASSEMBLY GUIDE



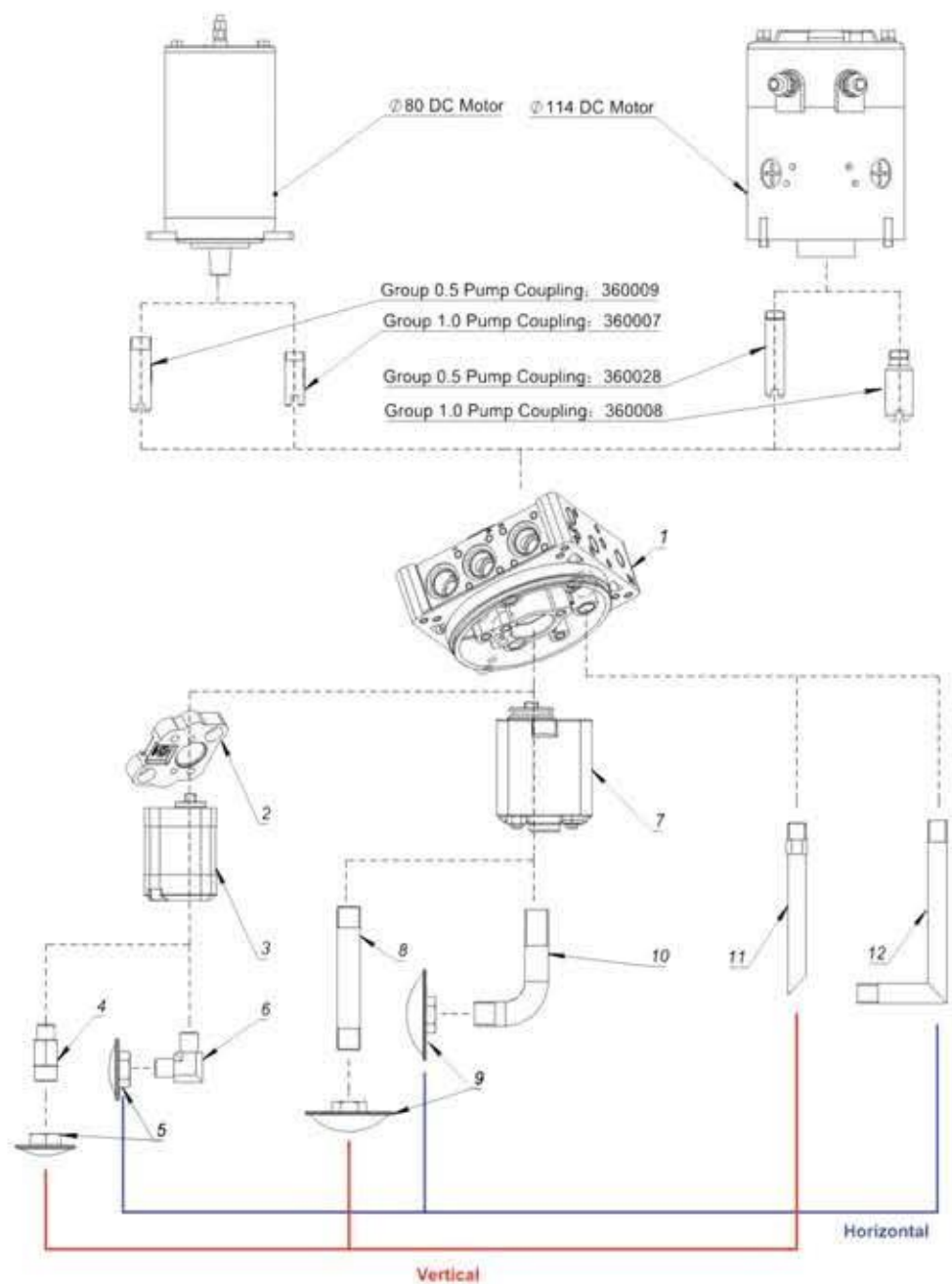
Number	1	2	3	4	5	6
Item	500050-2	560001	Group 0.5 pump	ZG38-14-*	F43	ZG38-14-90

Number	7	8	9	10	11	12
Item	Group 1.0 pump	PSP-*	F65	ZG38-90	RP-G14-*	RP-14-90





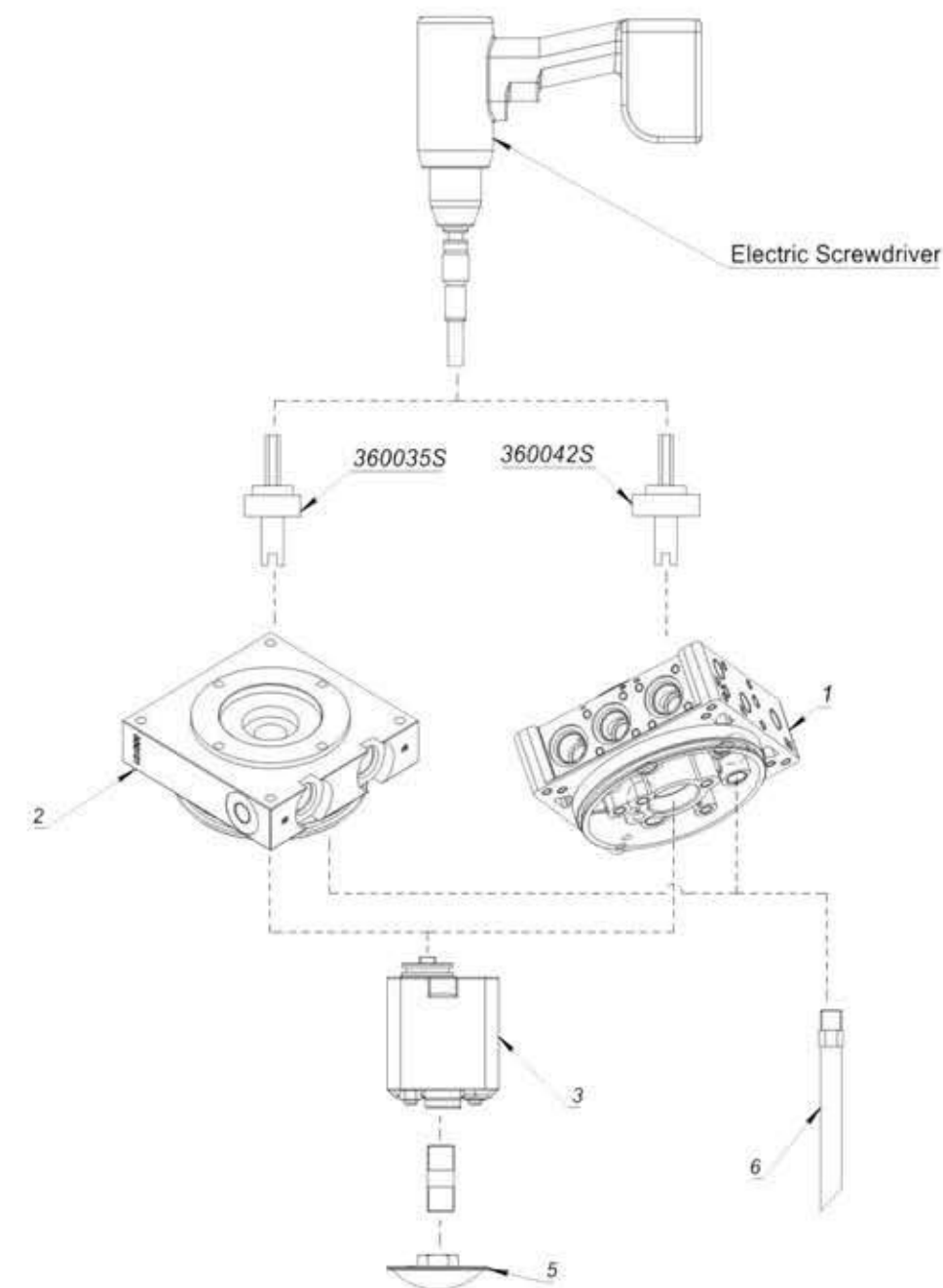
## DC MOTORS PUMPS & ACCESSORIES ASSEMBLY GUIDE



Number	1	2	3	4	5	6
Item	500050-2	560001	Group 0.5 pump	ZG38-14-*	F43	ZG38-14-90

Number	7	8	9	10	11	12
Item	Group 1.0 pump	PSP-*	F65	ZG38-90	RP-G14-*	RP-14-90

## ELECTRIC SCREWDRIVER POWER UNIT

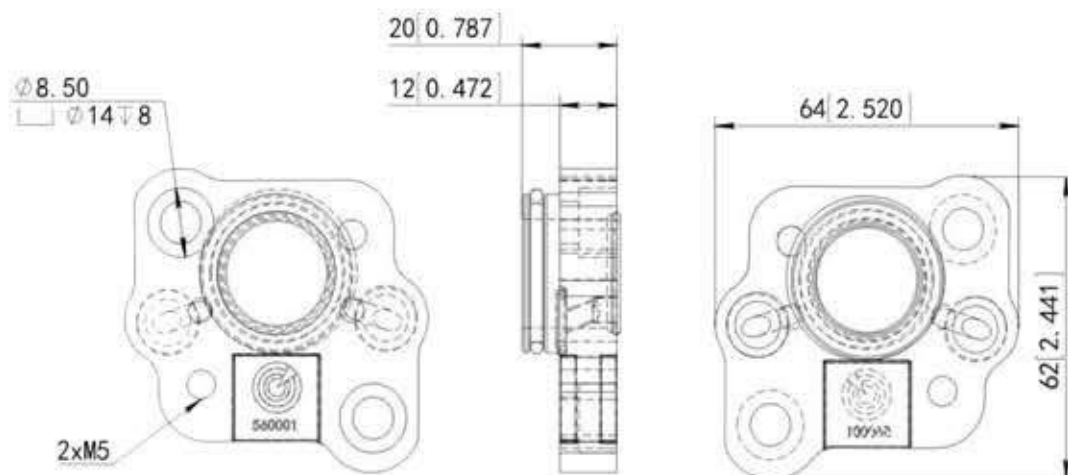
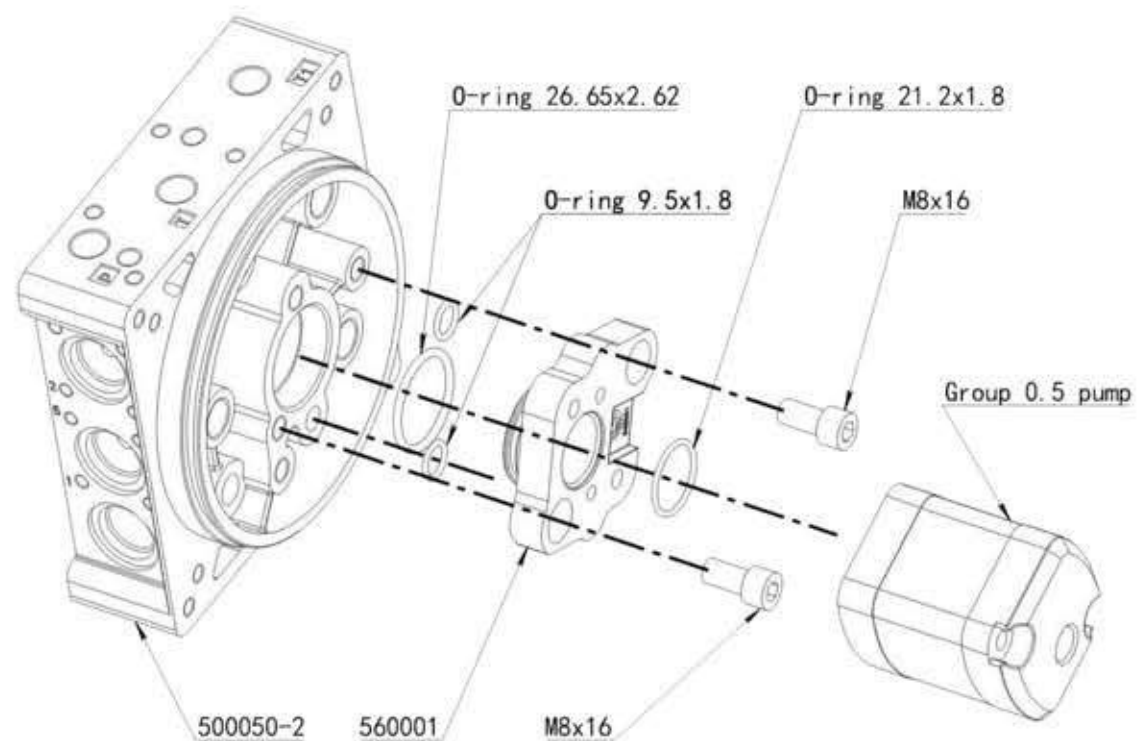


Number	1	2	3	4	5	6
Item	500050-2	500101	Group 1.0 pump	PSP-*	F65	RP-G14-*

N.M	Pump	压力 bar
15	0.75cc/r	170
15	1.1cc/r	120
15	1.3cc/r	100
15	1.6cc/r	95

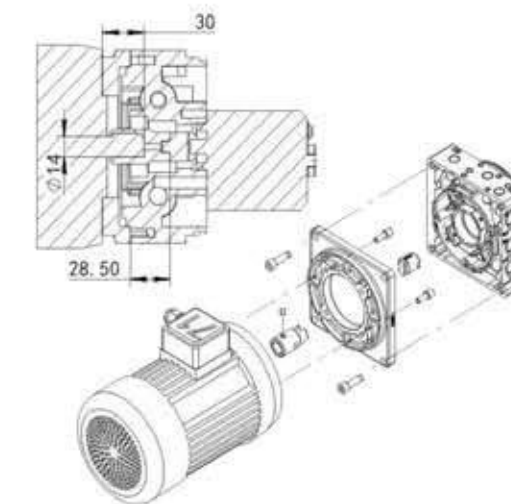


## CENTRAL MANIFOLD & GROUP 0.5 PUMP ASSEMBLY GUIDE



Model	Weight/kg
560001	0.07

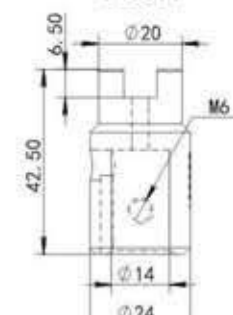
## MOUNTING KIT FOR FRAME 71 B14 AC MOTORS



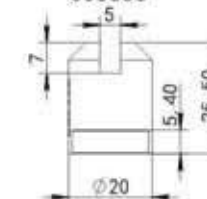
Aluminum Flange: 560071

### Couplings

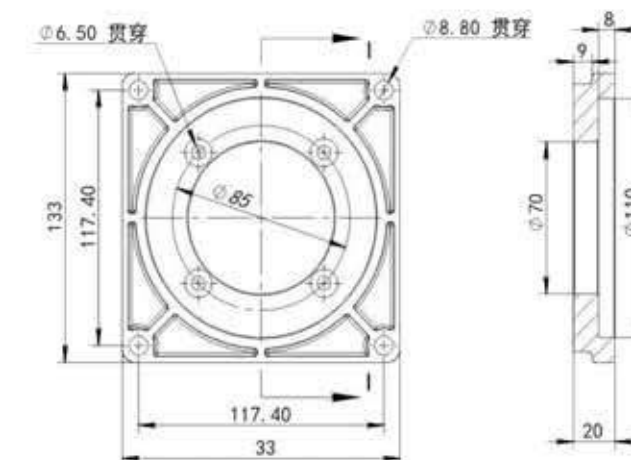
Motor Side  
360001



Group 1.0 Pump Side  
360005



Group 0.5 Pump Side  
360006

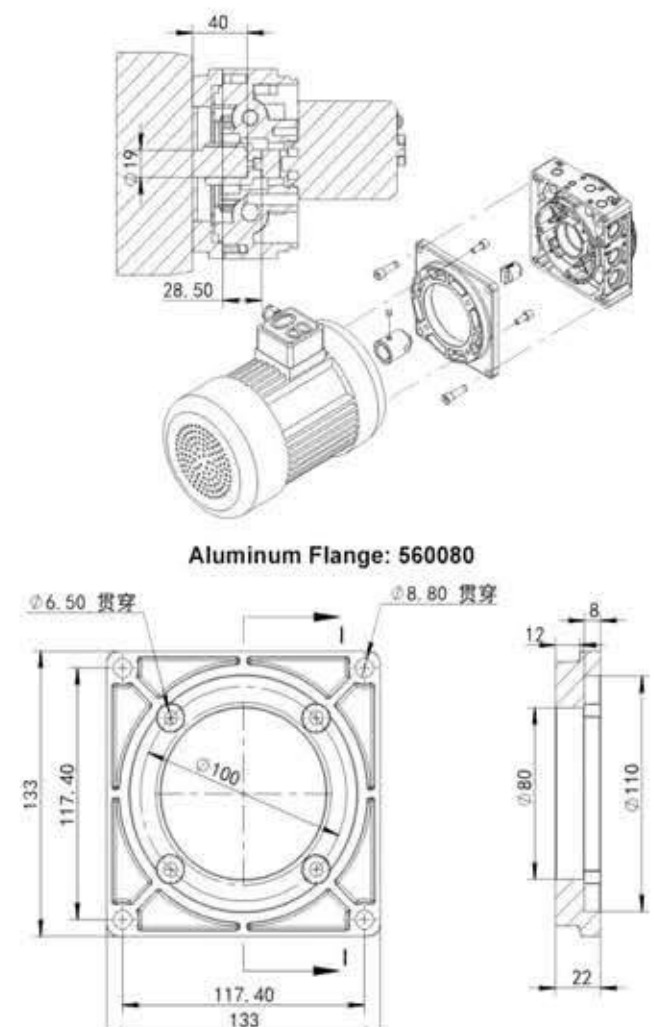
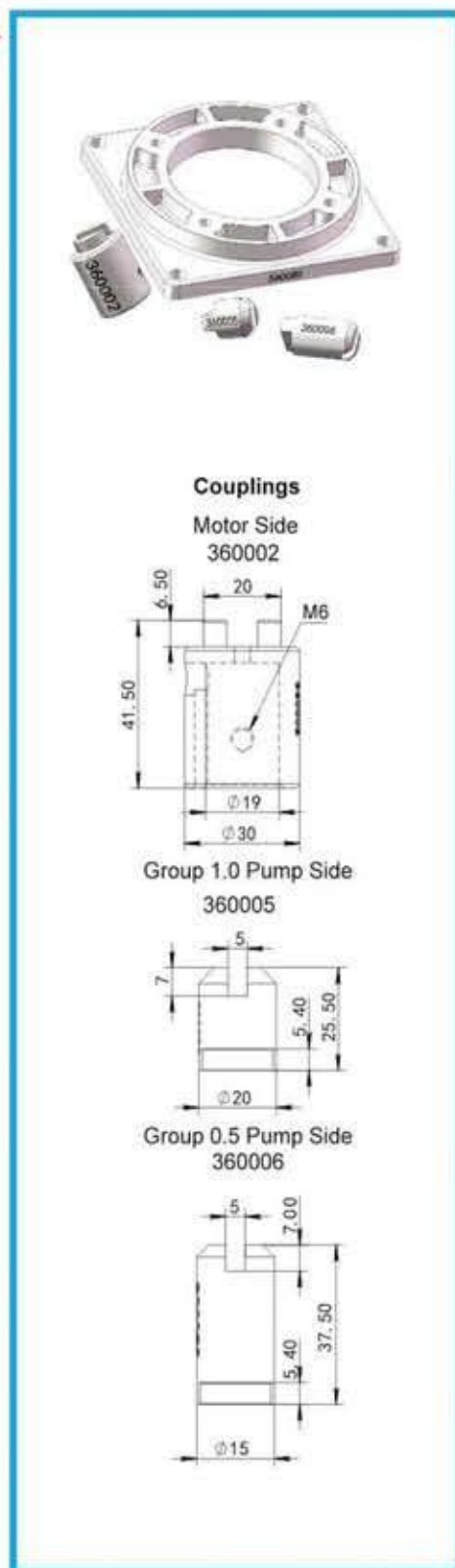


Description	Part Number	Weight(kg)
Motor Side Coupling	360001	0.095
Group 0.5 Pump Side Coupling	360006	0.080
Group 1.0 Pump Side Coupling	360005	0.050
Aluminum Flange	560071	0.30
Motor Flange Assembly Screw	4X DIN 912 M6X16	0.030
Manifold Flange Assembly Screw	4X DIN 912 M8X25	0.060
Coupling Screw	DIN 912 M6X8	-



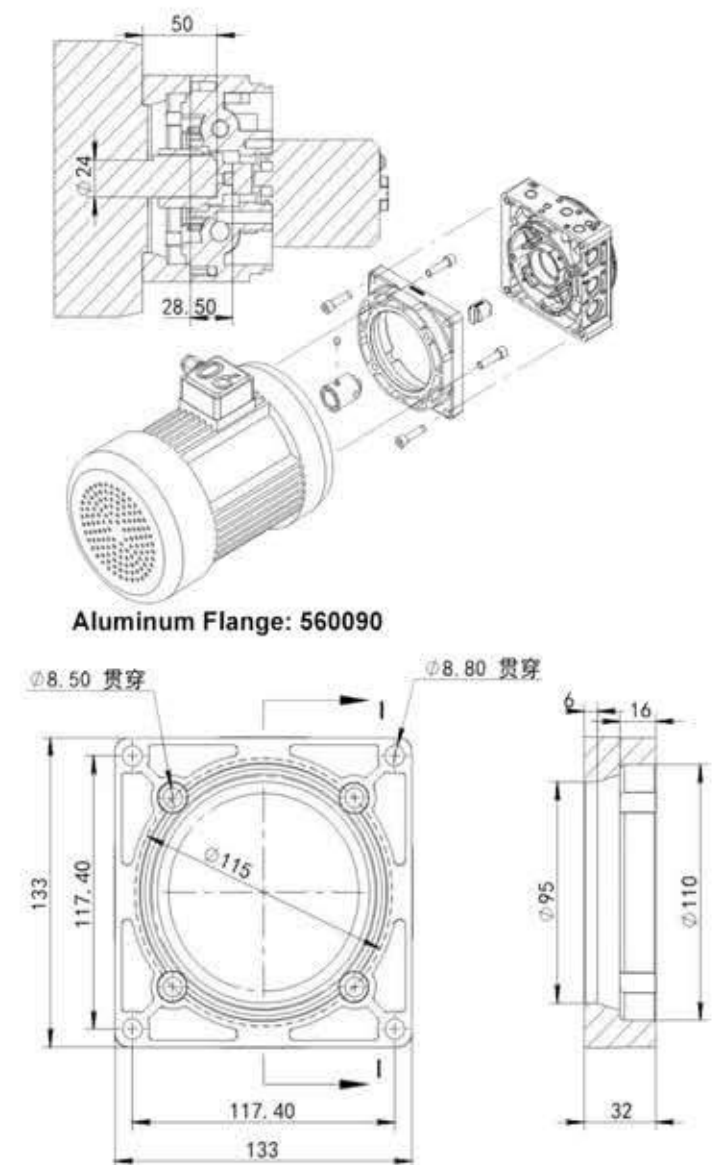
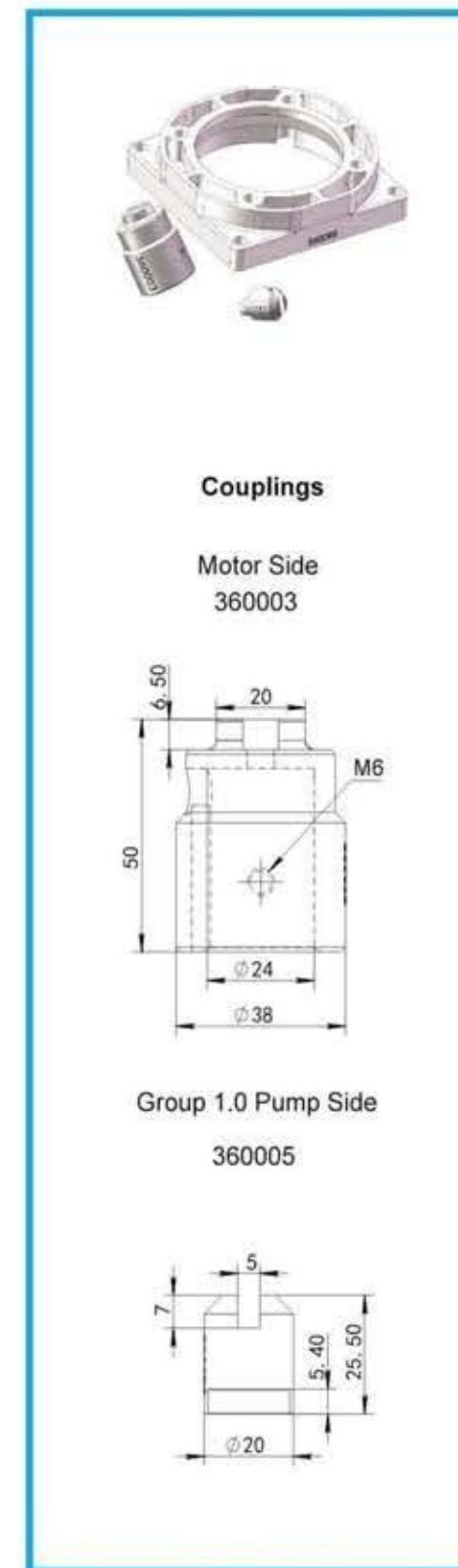


## MOUNTING KIT FOR FRAME 80 B14 AC MOTORS



Description	Part Number	Weight(kg)
Motor Side Coupling	360002	0.125
Group 0.5 Pump Side Coupling	360006	0.080
Group 1.0 Pump Side Coupling	360005	0.050
Aluminum Flange	560080	0.310
Motor Flange Assembly Screw	4X DIN 912 M6X16	0.030
Manifold Flange Assembly Screw	4X DIN 912 M8X25	0.060
Coupling Screw	M5X8	-

## MOUNTING KIT FOR FRAME 90 B14 AC MOTORS



Description	Part Number	Weight(kg)
Motor Side Coupling	360003	0.220
Group 1.0 Pump Side Coupling	360005	0.050
Aluminum Flange	560090	0.390
Motor Flange Assembly Screw	4X DIN 912 M8X16	0.050
Manifold Flange Assembly Screw	4X DIN 912 M8X30	0.065
Coupling Screw	DIN 912 M6X8	-



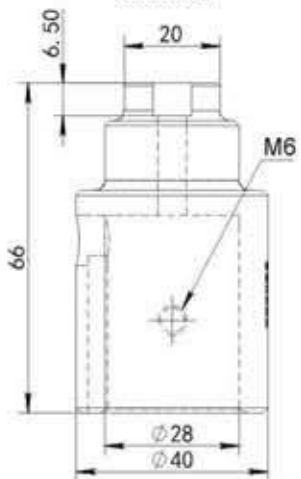


## MOUNTING KIT FOR FRAME 100/112 B14 AC MOTORS

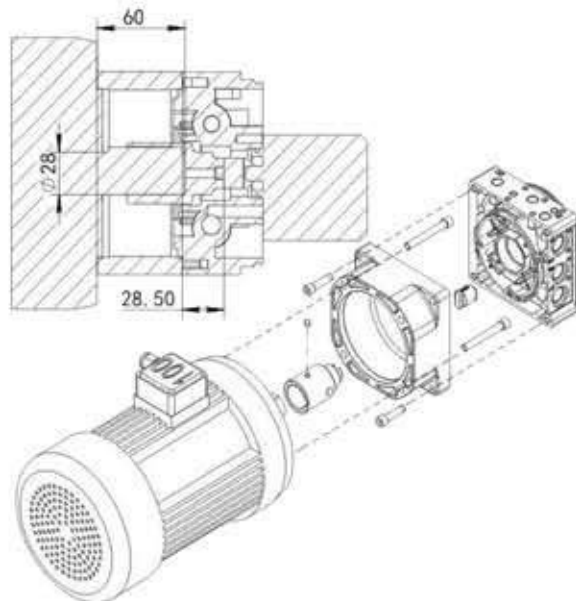
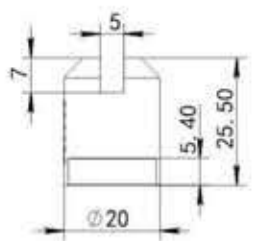


**Couplings**

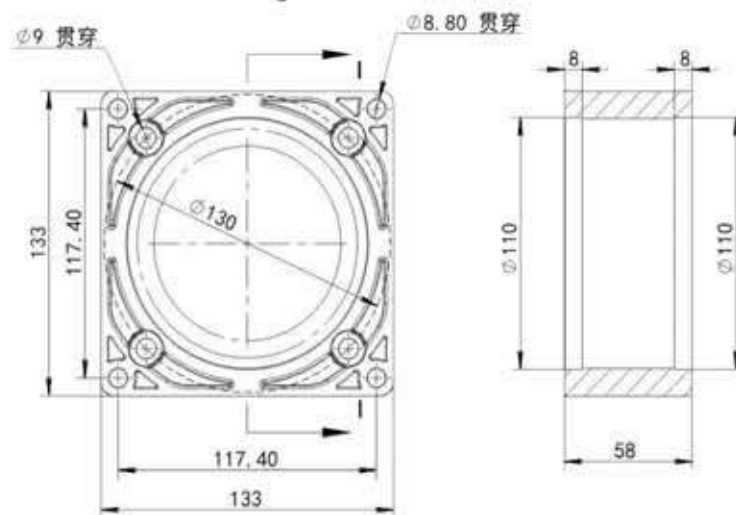
Motor Side  
360004



Group 1.0 Pump Side  
360005



**Aluminum Flange: 560100**



Description	Part Number	Weight(kg)
Motor Side Coupling	360004	0.310
Group 1.0 Pump Side Coupling	360005	0.050
Aluminum Flange	560100	0.700
Motor Flange Assembly Screw	4X DIN 912 M8X55	0.125
Manifold Flange Assembly Screw	4X DIN 912 M8X30	0.065
Coupling Screw	DIN 912 M6X8	-

## SUMMARY TABLE-MANIFOLD/PUMP/MOTOR COUPLING KITS

Motor	Coupling	Manifold	Pump
B14 AC Motors 71	360001+360006	Die Casting Manifold+71 Flanges+560001	Group 0.5 Pump
	360001+360005	Die Casting Manifold+71 Flanges	Group 1.0 Pump
B14 AC Motors 80	360002+360006	Die Casting Manifold+80 Flanges+560001	Group 0.5 Pump
	360002+360005	Die Casting Manifold+80 Flanges	Group 1.0 Pump
B14 AC Motors 90	360003+360006	Die Casting Manifold+90 Flanges+560001	Group 0.5 Pump
	360003+360005	Die Casting Manifold+90 Flanges	Group 1.0 Pump
B14 AC Motors 100/112	360004+360006	Die Casting Manifold+100/112 Flanges + 560001	Group 0.5 Pump
	360004+360005	Die Casting Manifold+100/112 Flanges	Group 1.0 Pump
Integral AC Motors Axis length(29.6)	360006	Die Casting Manifold+560001	Group 0.5 Pump
	360005	Die Casting Manifold	Group 1.0 Pump
	360015	500151 (thickness: 70mm)	
Integral AC Motors Axis length(24.8)	360019	Die Casting Manifold+560001	Group 0.5 Pump
	360018	Die Casting Manifold	Group 1.0 Pump
Integral AC Motors Axis length(19.5)	360011	Die Casting Manifold+560001	Group 0.5 Pump
	360013	Die Casting Manifold	Group 1.0 Pump
Integral DC Motors $\phi 114$	360028	Die Casting Manifold+560001	Group 0.5 Pump
	360008	Die Casting Manifold	Group 1.0 Pump
Integral DC Motors $\phi 80$	360009	Die Casting Manifold+560001	Group 0.5 Pump
	360007	Die Casting Manifold	Group 1.0 Pump
	360033	500105 500115 500222 (thickness: 55mm)	Group 0.5 Pump
Integral AC Motors / DC Motors $\phi 114$ (Nine tooth bond)	360029	Other Manifold (thickness: 49/50mm)	Group 1.0 Pump
	C57	Other Manifold +560001 (thickness: 49/50mm)	Group 0.5 Pump
		500216 (thickness: 60mm)	Group 1.0 Pump
C46	Other Manifold (thickness: 49/50mm)	Group 1.0 Pump	





## Stacking Manifold Block

ORDER CODE	DESCRIPTION	SYMBOL	DIMENSIONS
560004	Spacer Manifold Adapter		<p>P T Port: 1/4"BSPP Weight: 0.51kg Dimensions in mm [inches]</p>
560004S	Spacer Manifold with Pressure Test Point		<p>P T P1 P2 Port: 1/4"BSPP Weight: 0.49kg Dimensions in mm [inches]</p>
560005	Spacer Manifold Adapter		<p>P T Port: 1/4"BSPP Weight: 0.90kg Dimensions in mm [inches]</p>
560010	Spacer Manifold Adapter		<p>P T Port: 1/4"BSPP Weight: 0.16kg Dimensions in mm [inches]</p>

## Stacking Manifold Block

ORDER CODE	DESCRIPTION	SYMBOL	DIMENSIONS
560101	NG6(CETOP3) Modular Manifolds Parallel Connection Rear Ports		<p>P T Port: 1/4"BSPP A B Port: 1/4"BSPP Other porting is available Weight: 0.62kg Dimensions in mm [inches]</p>
560102	NG6(CETOP3) Modular Manifolds Parallel Connection Lateral Ports		<p>P T Port: 1/4"BSPP A B Port: 3/8"BSPP Other porting is available Weight: 0.61kg Dimensions in mm [inches]</p>
560103	NG6(CETOP3) Modular Manifolds Parallel Connection Rear Ports		<p>P T Port: 1/4"BSPP A B Port: 1/4"BSPP Other porting is available Weight: 0.62kg Dimensions in mm [inches]</p>
560104	NG6(CETOP3) Modular Manifolds Series Connection Lateral Ports		<p>P T Port: 1/4"BSPP A B Port: 3/8"BSPP Other porting is available Weight: 0.57kg Dimensions in mm [inches]</p>



## Stacking Manifold Block

ORDER CODE	DESCRIPTION	SYMBOL	DIMENSIONS
560040	Spacer Manifold for Stackable Valves		<p>P T Port: 1/4"BSPP Weight: 0.89kg Dimensions in mm [inches]</p>
560060	Spacer Manifold for Stackable Valves		<p>P T Port: 1/4"BSPP Weight: 1.10kg Dimensions in mm [inches]</p>
560105	Snow Plow Manifold		<p>P T Port: 1/4"BSPP A B Port: 3/8"BSPP Other porting is available Weight: 1.44kg Dimensions in mm [inches]</p>
560113	NG6(CETOP3) Modular Manifolds Parallel Connection Rear Ports		<p>P T Port: 1/4"BSPP A B M Port: 1/4"BSPP Other porting is available Weight: 0.62kg Dimensions in mm [inches]</p>

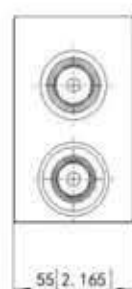
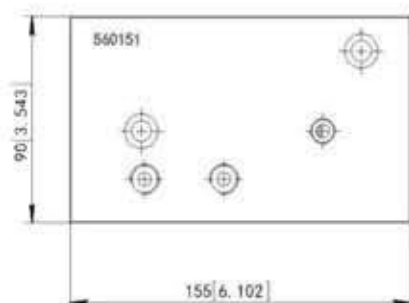
## Stacking Manifold Block

ORDER CODE	DESCRIPTION	SYMBOL	DIMENSIONS
560006	Motor Side 90° Rotation Manifold		<p>P T Port: 1/4"BSPP Weight: 0.59kg Dimensions in mm [inches]</p>
560007	Motor Side 90° Rotation Manifold		<p>P T Port: 1/4"BSPP Weight: 0.89kg Dimensions in mm [inches]</p>
560008	Tank Side 90° Rotation Manifold		<p>P T P1 T1 Port: 1/4"BSPP Dimensions in mm [inches]</p>
560009	Tank Side 90° Rotation Manifold		<p>P T P1 T1 Port: 1/4"BSPP Dimensions in mm [inches]</p>

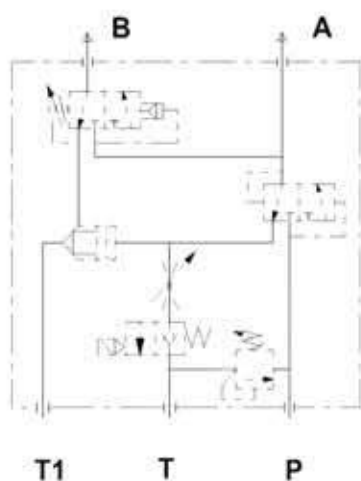
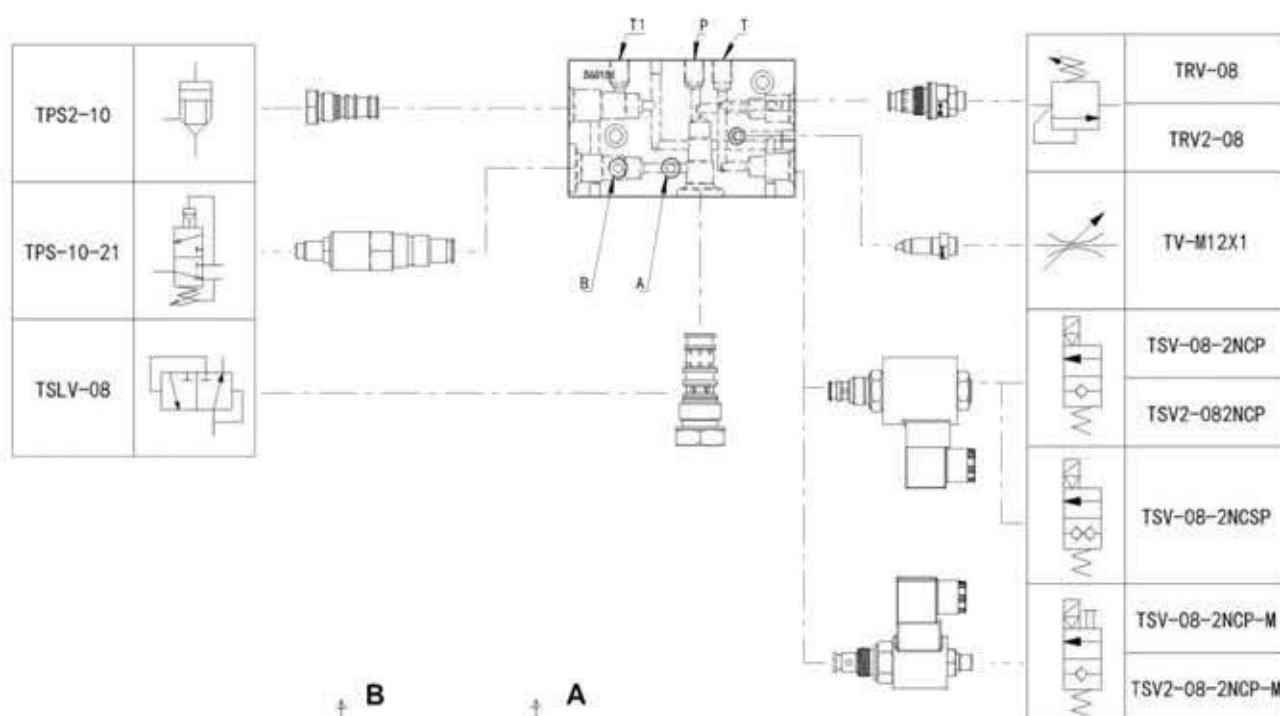




## Stacking Manifold Block:560151



P T T1 A B Port: 1/4" BSPP  
 Dimensions in mm [inches]  
 Weight: 1.91kg



## Stacking Manifold Block

ORDER CODE	DESCRIPTION	SYMBOL	DIMENSIONS
560204	NG6(CETOP3) Modular Manifolds Parallel Connection Lateral Ports Two Section		<p>A1 A2 B1 B2                      Port: 3/8" BSPP                      Other porting is available                      Dimensions in mm [inches]                      Weight: 1.24kg</p>
560306	NG6(CETOP3) Modular Manifolds Parallel Connection Lateral Ports Three Section		<p>A1 A2 A3 B1 B2 B3                      Port: 3/8" BSPP                      Other porting is available                      Dimensions in mm [inches]                      Weight: 1.84kg</p>
560408	NG6(CETOP3) Modular Manifolds Parallel Connection Lateral Ports Four Section		<p>A1 A2 A3 A4 B1 B2 B3 B4                      Port: 3/8" BSPP                      Other porting is available                      Dimensions in mm [inches]                      Weight: 2.44kg</p>



## Stacking Manifold Block

ORDER CODE	DESCRIPTION	SYMBOL	DIMENSIONS
560342	Two Section Modular Manifold for 3/4-16 UNF Cartridges, Two Way, Two Position		<p>P T Port: 3/8"BSPP Weight: 0.82kg C1 C2 Port: 3/8"BSPP Other porting is available Dimensions in mm [inches]</p>
560783	Hand Pump Manifold for 7/8-14 UNF Cartridges Two Way, Two Position Suit with 500103/500212		<p>Weight: 0.49kg Dimensions in mm [inches]</p>
560825	Modular Manifold for 3/4-16 UNF Cartridges, Two Way, Two Position		<p>P T Port: 1/4"BSPP Weight: 0.61kg C Port: 3/8"BSPP Other porting is available Dimensions in mm [inches]</p>
560826	Modular Manifold for 3/4-16 UNF Cartridges, Two Way, Two Position		<p>P T Port: 1/4"BSPP Weight: 0.58kg C C1 Port: 1/4"BSPP Other porting is available Dimensions in mm [inches]</p>

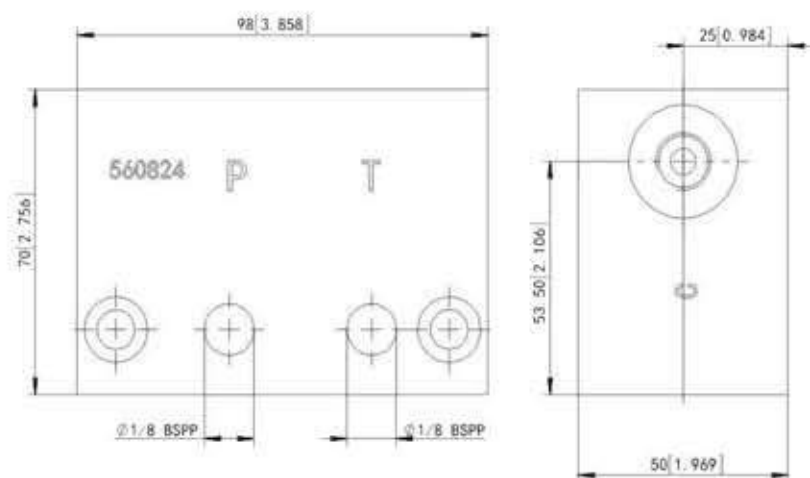
## Stacking Manifold Block

ORDER CODE	DESCRIPTION	SYMBOL	DIMENSIONS
560821	Modular Manifold for 3/4-16 UNF Cartridges, Two Way, Two Position		<p>P T Port: 1/4"BSPP Weight: 0.61kg C Port: 1/4"BSPP Other porting is available Dimensions in mm [inches]</p>
560822	Modular Manifold for 3/4-16 UNF Cartridges, Two Way, Two Position		<p>P T Port: 1/4"BSPP Weight: 0.59kg C Port: 1/4"BSPP Other porting is available Dimensions in mm [inches]</p>
560823	Modular Manifold for 3/4-16 UNF Cartridges, Two Way, Two Position		<p>P T Port: 1/4"BSPP Weight: 0.59kg C Port: 1/4"BSPP Other porting is available Dimensions in mm [inches]</p>

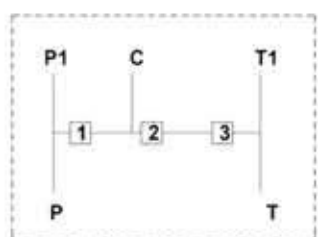
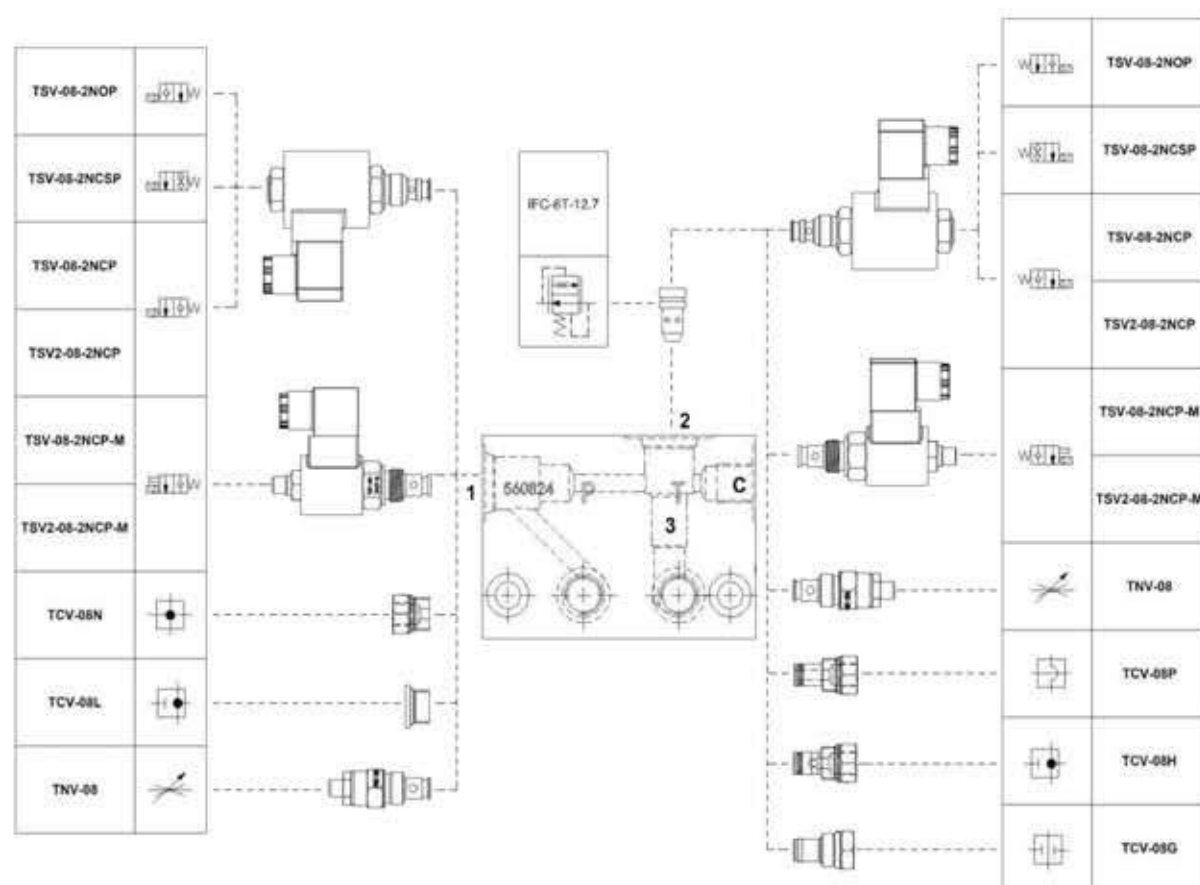




## Stacking Manifold Block:560824



C Port: 1/4"BSPP  
Other porting is available  
Dimensions in mm [inches]  
Weight: 0.86kg



## Stacking Manifold Block

ORDER CODE	DESCRIPTION	SYMBOL	DIMENSIONS
560851	Modular Block for Double Acting Circuit with Four Way Cartridge Solenoid Valve		 A B T1 Port: 1/4"BSPP Weight: 0.74kg Dimensions in mm [inches]
560852	Modular Block for Double Acting Circuit with Four Way Cartridge Solenoid Valve		 P T A B T1 Port: 1/4"BSPP Weight: 0.72kg Dimensions in mm [inches]
560853	Tank Side Modular Block for Double Acting Circuit with Four Way Cartridge Solenoid Valve and Pilot Operated Check valves		 P T A B T1 Port: 1/4"BSPP Weight: 1.14kg Dimensions in mm [inches]
560854	Motor Side Modular Block for Double Acting Circuit with Four Way Cartridge Solenoid Valve and Pilot Operated Check valves		 P T A B T1 Port: 1/4"BSPP Weight: 1.14kg Dimensions in mm [inches]

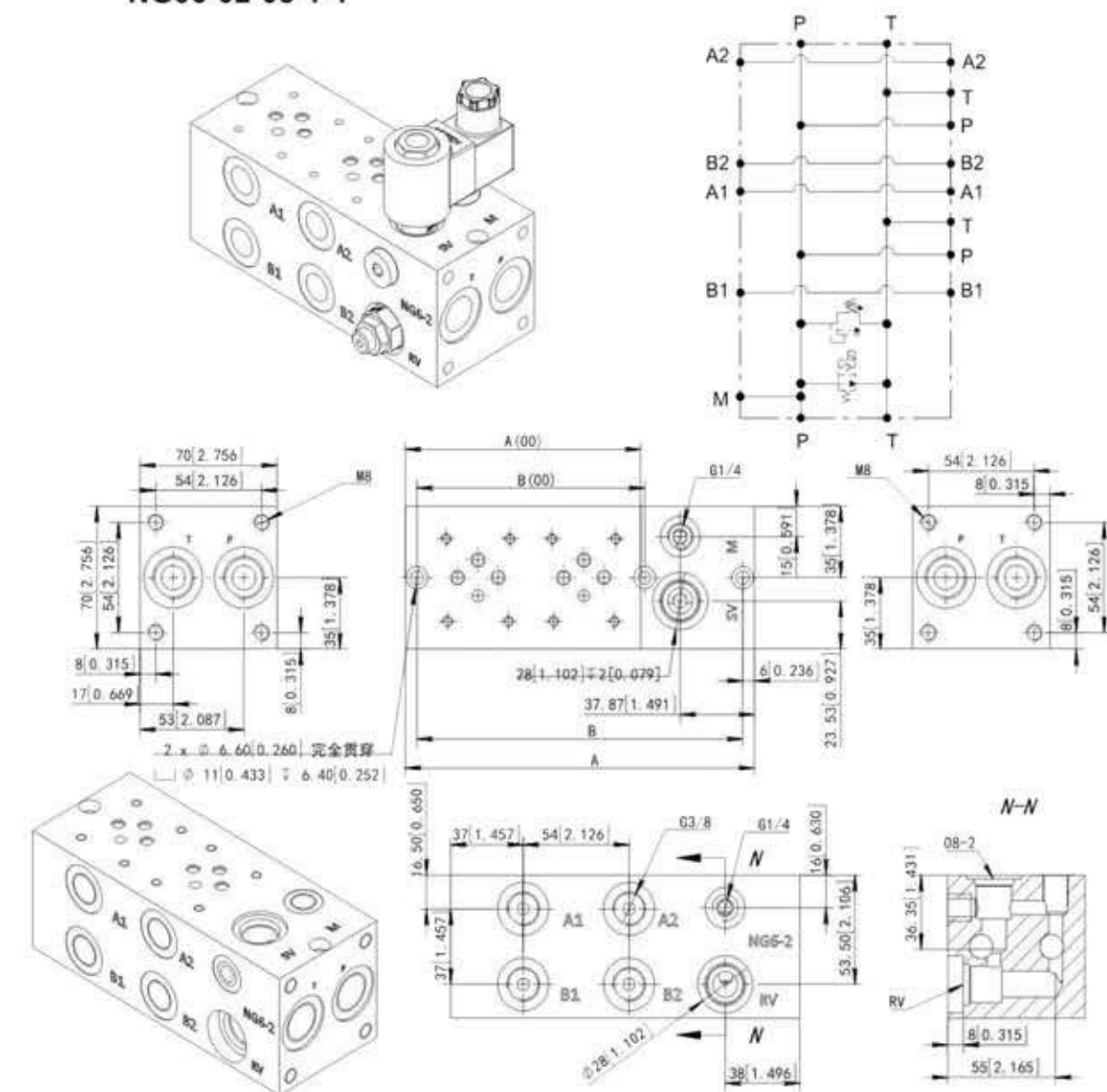


# Stacking Manifold Block

ORDER CODE	DESCRIPTION	SYMBOL	DIMENSIONS
560861	Modular Manifold for 3/4-16 UNF Cartridges, Two Way, Two Position		<p>P T Port: 1/4"BSPP Weight: 1.35kg            P1 P2 Port: 3/8"BSPP            Other porting is available            Dimensions in mm [inches]</p>
563102	NG3(CETOP3) Modular Manifolds Parallel Connection Lateral Ports		<p>P T Port: 1/4"BSPP Weight: 0.35kg            A B Port: 1/8"BSPP            Other porting is available            Dimensions in mm [inches]</p>
564102	NG4(CETOP3) Modular Manifolds Parallel Connection Lateral Ports		<p>P T Port: 1/4"BSPP Weight: 0.41kg            A B Port: 1/8"BSPP            Other porting is available            Dimensions in mm [inches]</p>

# Standard Manifolds:D03/CETOP 03

NG06-02-08-1-1



RV	CODE	NG06-01	NG06-02	NG06-03	NG06-04	NG06-05	NG06-06	NG06-07	NG06-08	NG06-09	NG06-10
08/10/20	A mm[in]	124 [4.88]	178 [7.01]	232 [9.13]	286 [11.26]	340 [13.39]	394 [15.51]	448 [17.64]	502 [19.76]	556 [21.89]	610 [24.02]
	B mm[in]	112 [4.41]	166 [6.54]	220 [8.66]	274 [10.79]	328 [12.91]	382 [15.04]	436 [17.17]	490 [19.29]	544 [21.42]	598 [23.54]
00	A(00) mm[in]	74 [2.91]	128 [5.04]	182 [7.17]	236 [9.29]	290 [11.42]	344 [13.54]	398 [15.67]	452 [17.80]	506 [19.92]	560 [22.05]
	B(00) mm[in]	62 [2.44]	116 [4.57]	170 [6.69]	224 [8.82]	278 [10.94]	332 [13.07]	386 [15.20]	440 [17.32]	494 [19.45]	548 [21.57]

**NG06-** - - - -

Mounting Positions: 01-10

00=No valve hole  
 08=Relief valve hole is 08-2  
 10=Relief valve hole is 10-2  
 20=Relief valve hole is M20

0=Without Relief Valve  
 1=With Relief Valve

0=Without Solenoid Valve  
 1=With Solenoid Valve

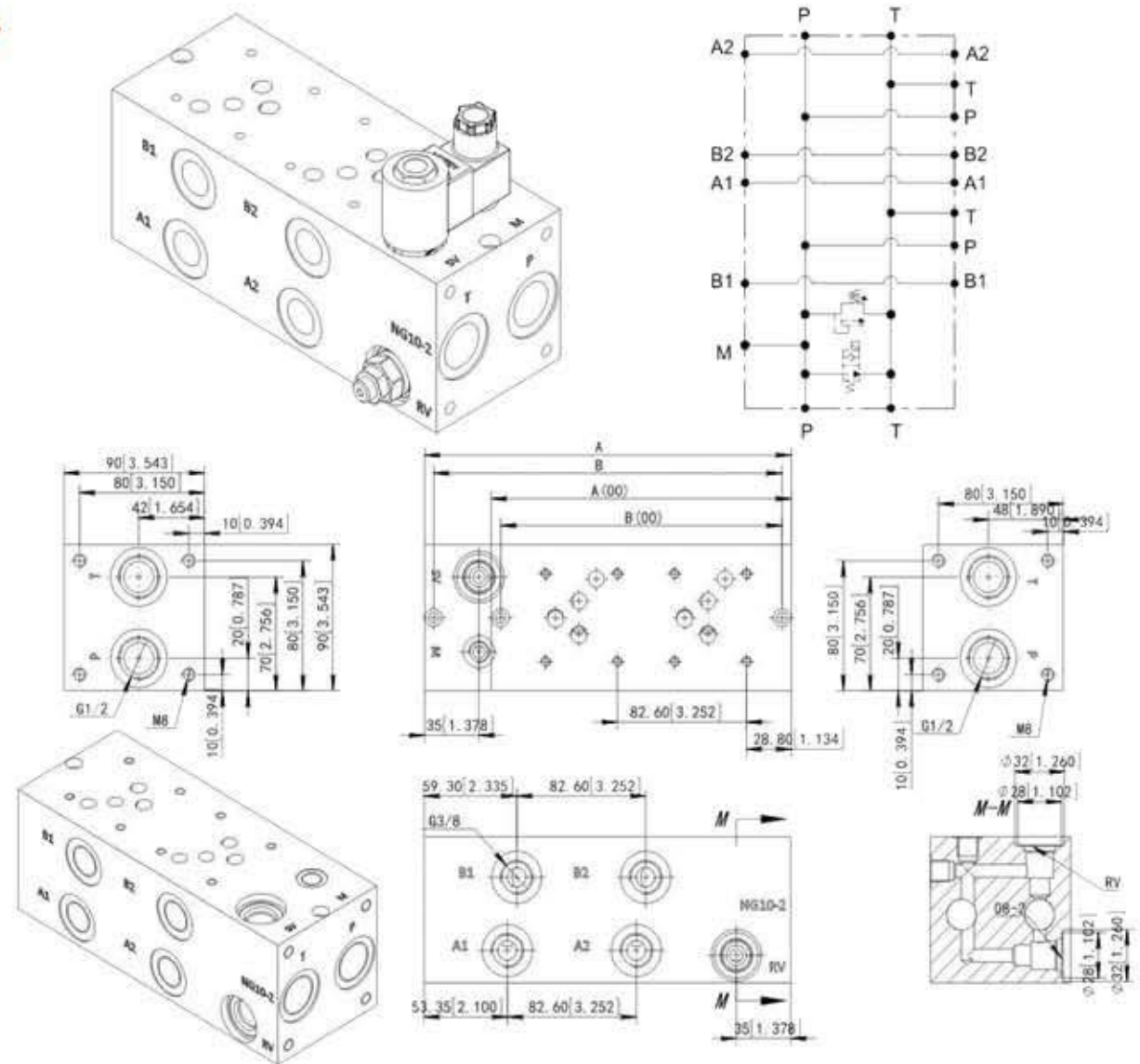
**BODY PORTING**  
 A=G1/4  
 B=G3/8  
 C=SAE6#  
 D=SAE8#  
 Other Porting is Available





# Standard Manifolds: D05/CETOP 05

NG10-02-1-1



RV	CODE	NG10-01	NG10-02	NG10-03	NG10-04	NG10-05	NG10-06	NG10-07	NG10-08	NG10-09	NG10-10
08/10/26	A (mm [in])	152.4 [6]	235 [9.25]	317.6 [12.50]	400.2 [15.75]	482.8 [19.00]	565.4 [22.26]	648 [25.51]	730.6 [28.76]	813.2 [32.02]	895.8 [35.27]
	B (mm [in])	140.4 [5.53]	223 [8.78]	305.6 [12.03]	388.2 [15.28]	470.8 [18.54]	553.4 [21.79]	636 [25.04]	718.6 [28.29]	801.2 [31.54]	883.8 [34.80]
00	A(00) (mm [in])	112.4 [4.43]	195 [7.68]	277.6 [10.93]	360.2 [14.18]	442.8 [17.43]	525.4 [21.69]	608 [23.94]	690.6 [27.19]	773.2 [30.44]	855.8 [33.69]
	B(00) (mm [in])	100.4 [3.95]	183 [7.20]	265.6 [10.46]	348.2 [13.71]	430.8 [16.96]	513.4 [20.21]	596 [23.46]	678.6 [26.72]	761.2 [29.97]	843.8 [33.22]

NG10- - - -

Mounting Positions: 01-10

- 00=No valve hole
- 08=Relief valve hole is 08-2
- 10=Relief valve hole is 10-2
- 26=Relief valve hole is M26x1.5
- 0=Without Relief Valve
- 1=With Relief Valve
- 0=Without Solenoid Valve
- 1=With Solenoid Valve

BODY PORTING  
 A=G1/4  
 B=G3/8  
 C=SAE6#  
 D=SAE8#  
 Other Porting is Available

# Stacking Manifold Block

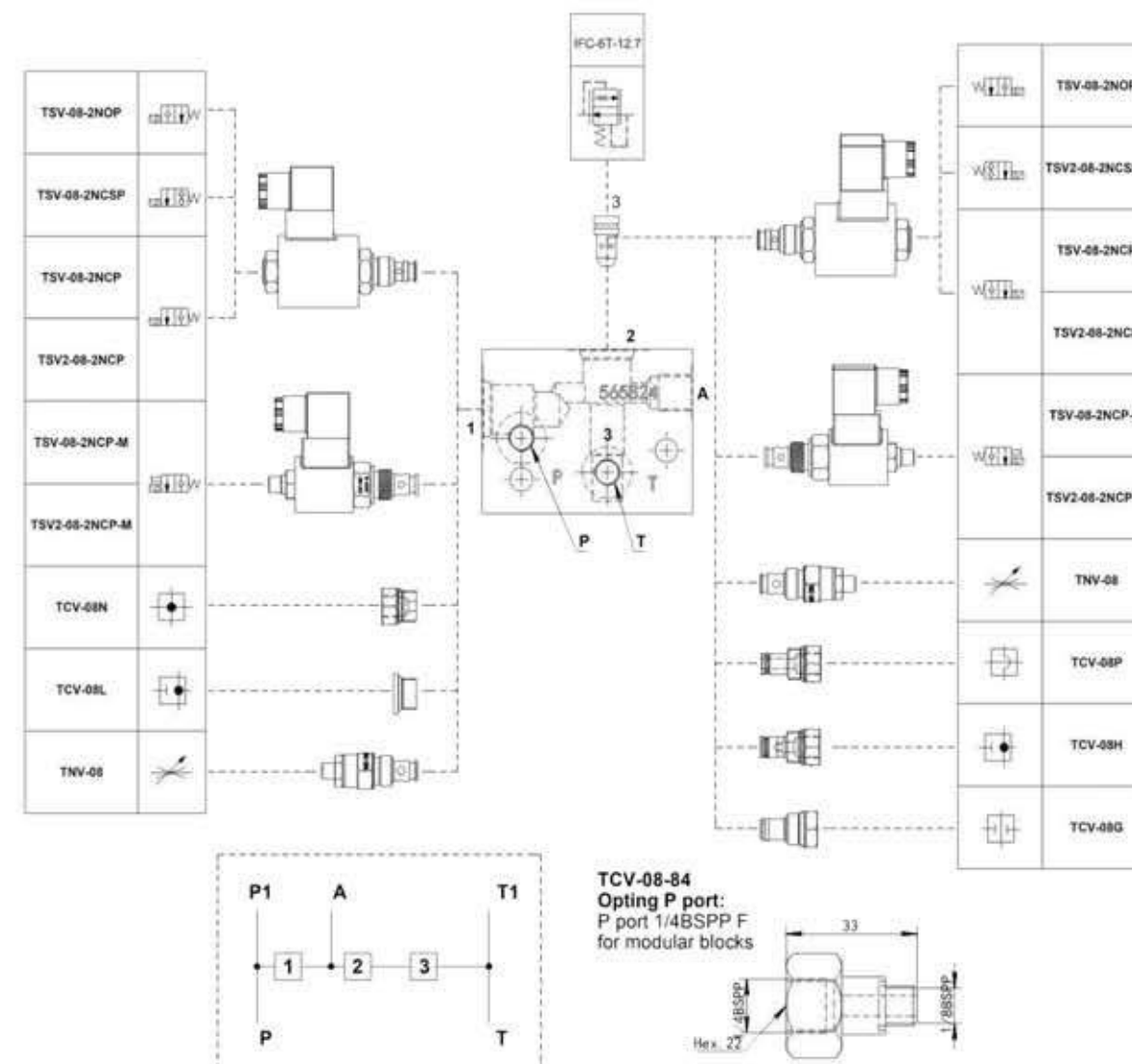
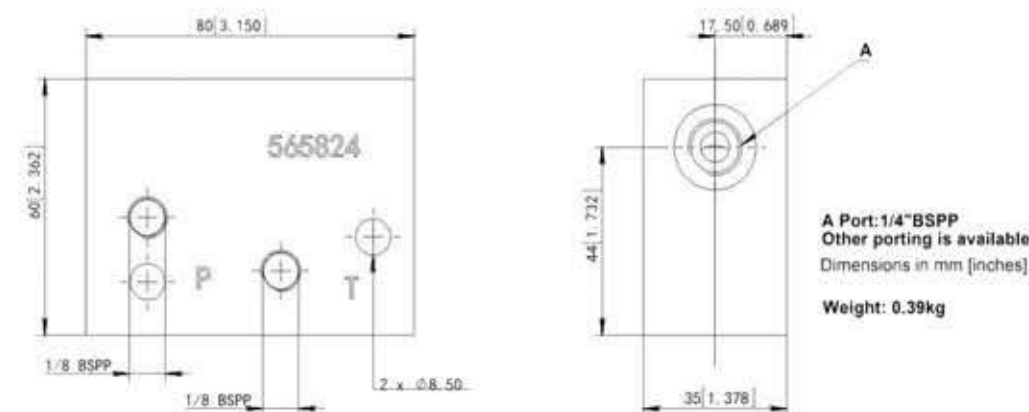
ORDER CODE	DESCRIPTION	SYMBOL	DIMENSIONS
565006	Motor Side 90° Rotation Manifold		<p>P T Port: 1/8"BSPP Weight: 0.44kg          P1 T1 Port: 1/4"BSPP          Dimensions in mm [inches]</p>
565010	Spacer Manifold Adapter		<p>Weight: 0.25kg          Dimensions in mm [inches]</p>
565101	NG6(CETOP3) Modular Manifolds Parallel Connection Rear Ports		<p>P T Port: 1/8"BSPP Weight: 0.58kg          A B Port: 3/8"BSPP          Other porting is available          Dimensions in mm [inches]</p>
565102	NG6(CETOP3) Modular Manifolds Parallel Connection Lateral Ports		<p>P T Port: 1/8"BSPP Weight: 0.58kg          A B Port: 3/8"BSPP          Other porting is available          Dimensions in mm [inches]</p>



# Stacking Manifold Block

ORDER CODE	DESCRIPTION	SYMBOL	DIMENSIONS
565104	NG6(CETOP3) Modular Manifolds, Series connection Lateral Ports		<p>P T Port: 1/8"BSPP A B Port: 3/8"BSPP Other porting is available Weight: 0.60kg Dimensions in mm [inches]</p>
565821	Modular Manifold for 3/4-16 UNF Cartridges, Two Way, Two Position		<p>P T Port: 1/8"BSPP P1 C1 Port: 1/4"BSPP C2 Port: 3/8"BSPP Other porting is available Weight: 0.42kg Dimensions in mm [inches]</p>
565827	Modular Manifold for 3/4-16 UNF Cartridges, Three Way, Two Position		<p>P T A Port: 1/8"BSPP Other Port: 1/4"BSPP Other porting is available Weight: 0.41kg Dimensions in mm [inches]</p>
565861	Modular Manifold for 3/4-16 UNF Cartridges, TWO Way, Two Position		<p>P T Port: 1/8"BSPP P1 P2 Port: 3/8"BSPP Other porting is available Weight: 1.57kg Dimensions in mm [inches]</p>

# Stacking Manifold Block:565824







## Stacking Manifold Block Valves

ORDER CODE	DESCRIPTION	SYMBOL	DIMENSIONS
569061-A	Sandwich Type Pilot Operated Check Valves A Port		
569061-B	Sandwich Type Pilot Operated Check Valves B Port		
569061-W	Sandwich Type Pilot Operated Check Valves A B Ports		Manifold: 569061 Weight: 0.40kg Dimensions in mm [inches]
569062-A	A Side Sandwich Type Pilot Operated Check Valves With Lateral Ports		
569062-B	B Side Sandwich Type Pilot Operated Check Valves With Lateral Ports		
569062-W	A B Side Sandwich Type Pilot Operated Check Valves With Lateral Ports		Manifold: 569062 Weight: 0.45kg Dimensions in mm [inches]

## Stacking Manifold Block Valves

ORDER CODE	DESCRIPTION	SYMBOL	DIMENSIONS
569063-A	Sandwich Block with Flow Regulator Valve for NG6(CETOP3) Modular Valve		
569063-B			
569063-W			Manifold: 569063 Weight: 0.40kg Dimensions in mm [inches]
569064-A	Sandwich Block with Relief Valve for NG6(CETOP3) Modular Valve		
569064-B			
569064-W			Manifold: 569064 Weight: 0.40kg Dimensions in mm [inches]

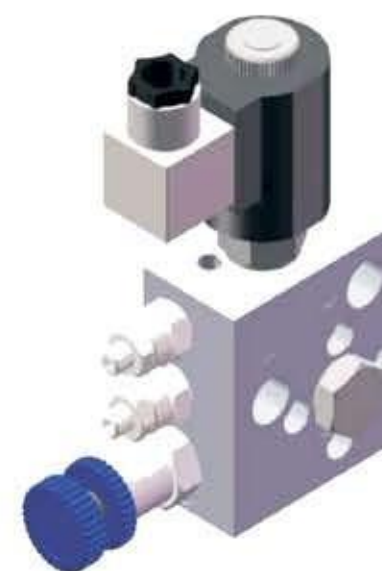


Fiable Hydraulics

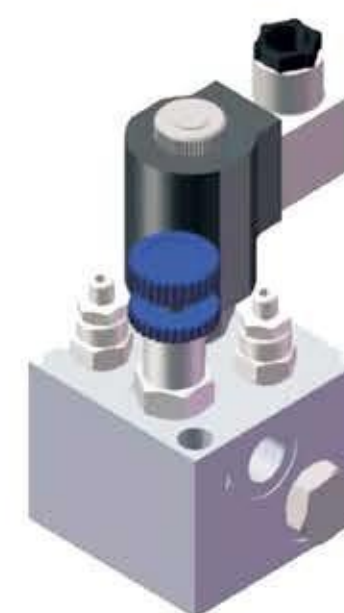
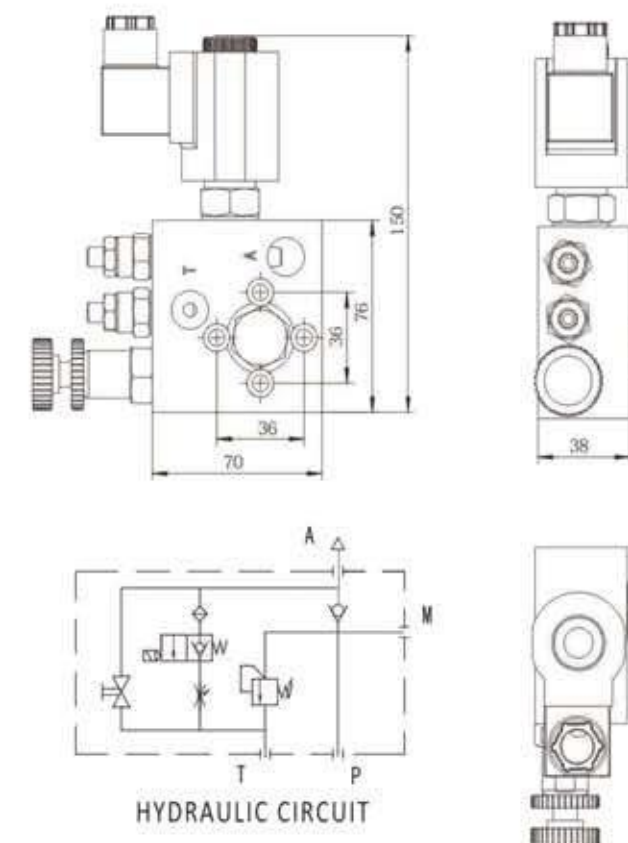
## Manifold Block

ORDER CODE	DESCRIPTION 1	DESCRIPTION 2	DIMENSIONS
580082	In line assembly manifold for 2 way 3/4" - 16 UNF (SAE08) cartridge valves (1/4" BSP outlet ports)	A B Port: 1/4" BSPP Other porting is available	<p>Weight: 0.17kgs Dimensions in mm [inches]</p>
580102	In line assembly manifold for 2 way 7/8" - 14 UNF (SAE10) cartridge valves (1/2" BSP outlet ports)	A B Port: 1/2" BSPP Other porting is available	<p>Weight: 0.33kgs Dimensions in mm [inches]</p>
580122	In line assembly manifold for 2 way 1 1/16" - 12 UN (SAE12) cartridge valves (3/4" BSP outlet ports)	A B Port: 3/4" BSPP Other porting is available	<p>Weight: 0.62kgs Dimensions in mm [inches]</p>
580162	In line assembly manifold for 2 way 1 5/16" - 12 UN (SAE16) cartridge valves (1" BSP outlet ports)	A B Port: 1" BSPP Other porting is available	<p>Weight: 0.65kgs Dimensions in mm [inches]</p>

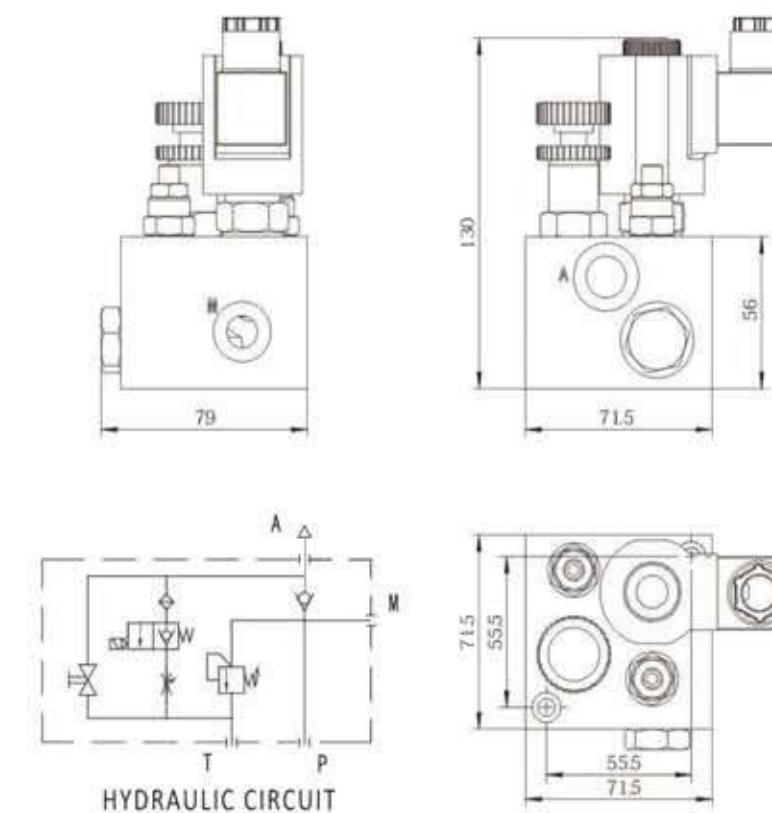
## Hydraulic Lift Valve



KVS-01



KVS-02

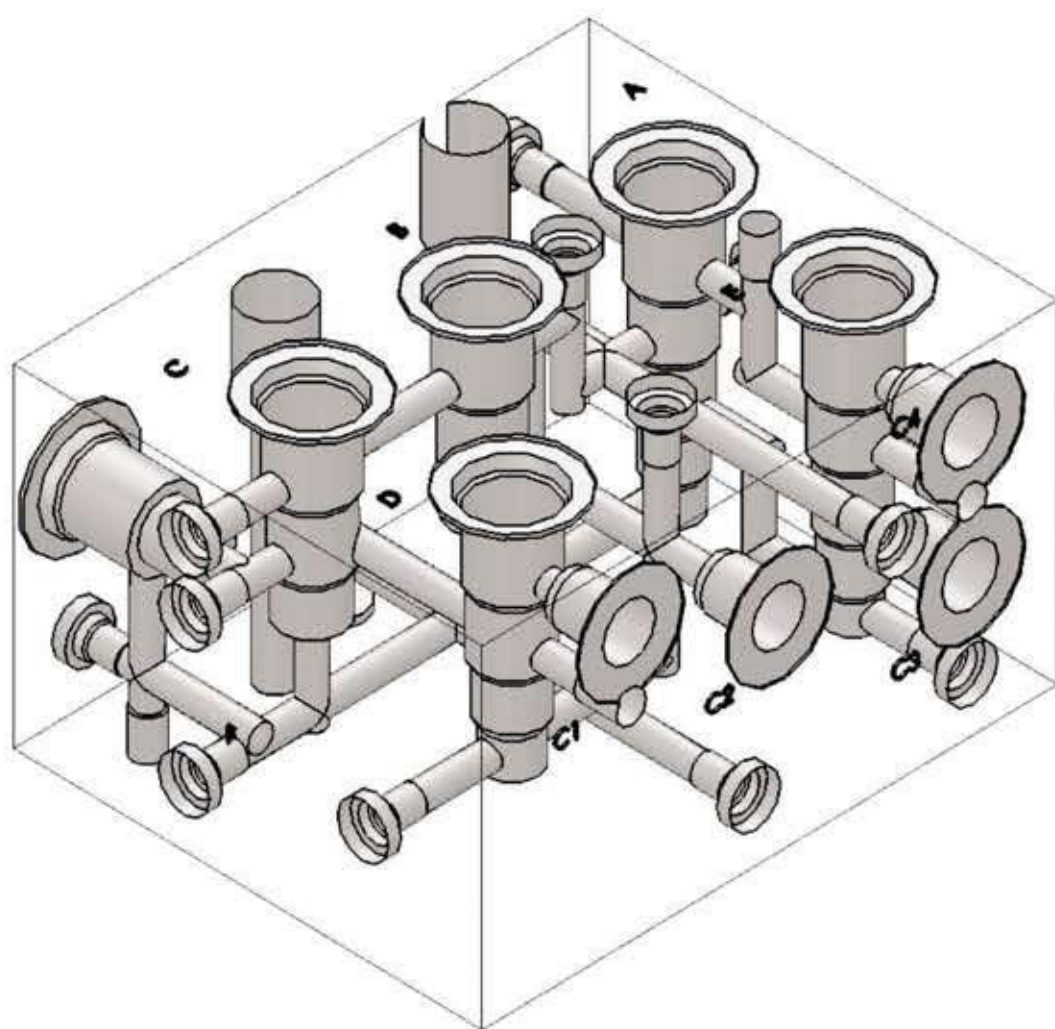






## Central Manifold

Manifolds can be customized to meet unique application requirement



Material : Anodized 6061-T6 aluminum  
Cavity : Industry Standard Common Cavity

## Cartridge Valve

Solenoid Valve						
Coil Voltage	DC12V	DC24V	DC48V	AC110V	AC220V	
Design						
Cavity	08 Size 10 Size	Operating Pressure	207bar	Flow	30L/min 60L/min	
SYMBOL						
CODE	DESCRIPTION	SYMBOL	DIMENSIONS			
TSV-08-2NCP	Normally-Closed Two-Way Two-Position Cartridge Solenoid Valve					
TSV-08-2NCP-M						
TSV2-08-2NCP						
TSV2-08-2NCP-M						
TSV-10-2NCP						
TSV-08-2NOP		Normally-Open Two-Way Cartridge Solenoid Valve				
TSV2-08-2NCSPL		Normally-Closed Two-Way Two-Position Bi-Directional Cartridge Solenoid Valve				



## Cartridge Valve

CODE	DESCRIPTION	SYMBOL	DIMENSIONS
TSV-08-3B	Three-Way Two-Position Spool-Type Cartridge Solenoid Valve		
TSV-08-4CO	Four-Way Two-Position Spool-Type Cartridge Solenoid Valve		
TCV-08	Direct-Acting Poppet-Type Cartridge Check Valve		
TCV2-08	Direct-Acting Ball-Type Cartridge Check Valve		
TRV-08-5	0~50bar		
TRV-08-16	20-160bar		
TRV-08-25	80-250bar		
TRV2-08-6	20-100bar		
TRV2-08-23	50-250bar		
TRV-SAE8	Adjustable Direct-Acting Cartridge Relief Valve		
TRV3-08			
TADRV2-08			

## Cartridge Valve

CODE	DESCRIPTION	SYMBOL	DIMENSIONS
TADRV2-10	Adjustable Direct Acting Cartridge Relief Valve		
TPSRV-08	Adjustable Pilot-Operated Cartridge Relief Valve		
TFC-08	Adjustable Cartridge One-Way Flow Control Valve		
TNV-08	Flow Control Valve		
TV-M12X1			
IFC-6T	Regulator Pressure -Compensated Flow Control Valve in-line 1L/min 2L/min 3L/min 4L/min 5L/min 6L/min 7L/min 8L/min 9L/min 10L/min		
IFC-6T-12.7			





Fiable Hydraulics

## Cartridge Valve

	Hydraulic symbol	Model	Cavity
		TCV-08G	08-2
		TCV-08H	08-2
		TCV-08P	08-2
		TCV-08L	08-2
		TCV-08N	08-2
		TCV-08XP	08-2
		TCV-M20G	M20
		TCV-08-4G	08-4
		TCV-08-84	G1/8

## Cartridge Valve

CODE	DESCRIPTION	SYMBOL	DIMENSIONS
TMRV-08			
TMRV2-08	Manual Unloading Valve With Microswitch		
TMRV3-08			



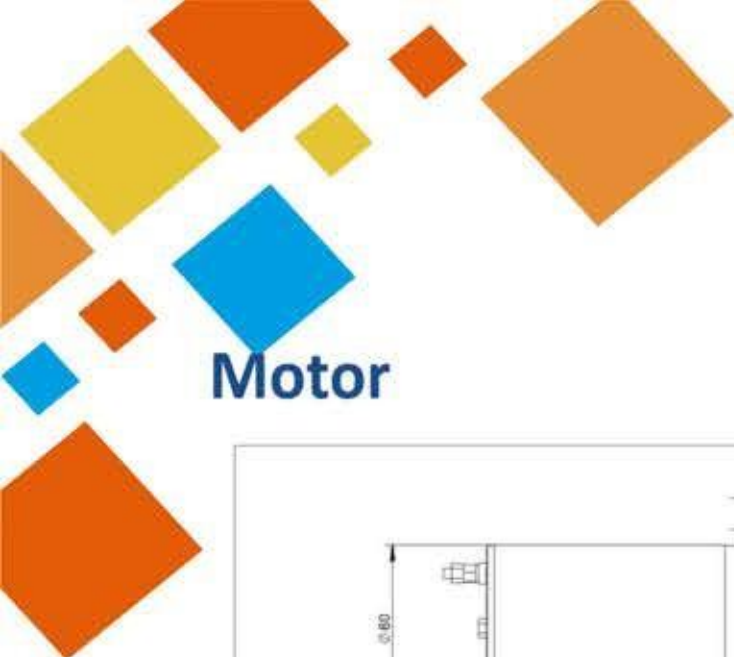
## Cartridge Hand Pump

CODE	DESCRIPTION	SYMBOL	DIMENSIONS
THP2-08	Hand Pump 2cc/stroke		
THP-08	Hand Pump 7cc/stroke		
THP-10	Hand Pump 9cc/stroke		

## Stacked Valve

Solenoid Valve					
Coil Voltage	DC12V	DC24V	DC48V	AC110V	AC220V
Design					
CODE	DSG-02-*	Operating Pressure	315bar	Flow	60L/min
SYMBOL					
CODE	DESCRIPTION	SYMBOL	DIMENSIONS		
MTC-02W	Stacked Unidirectional Throttle Valve				
Z2FS6					
Z2S6	Modular Pilot Operated Check Valve				



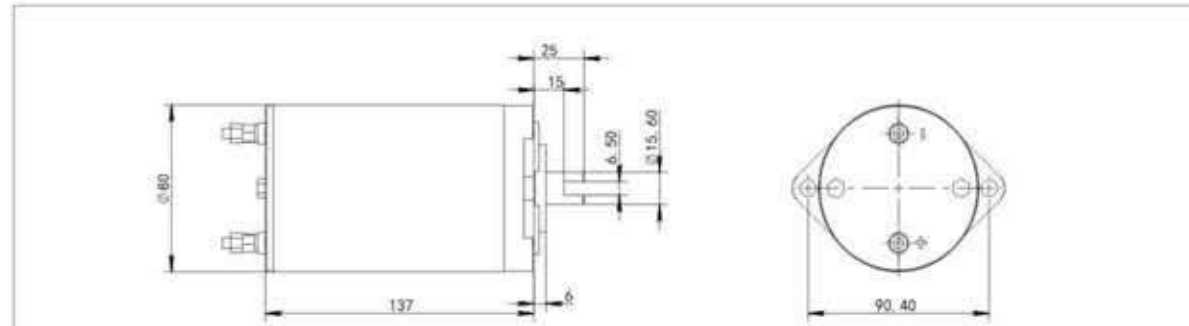


# Motor

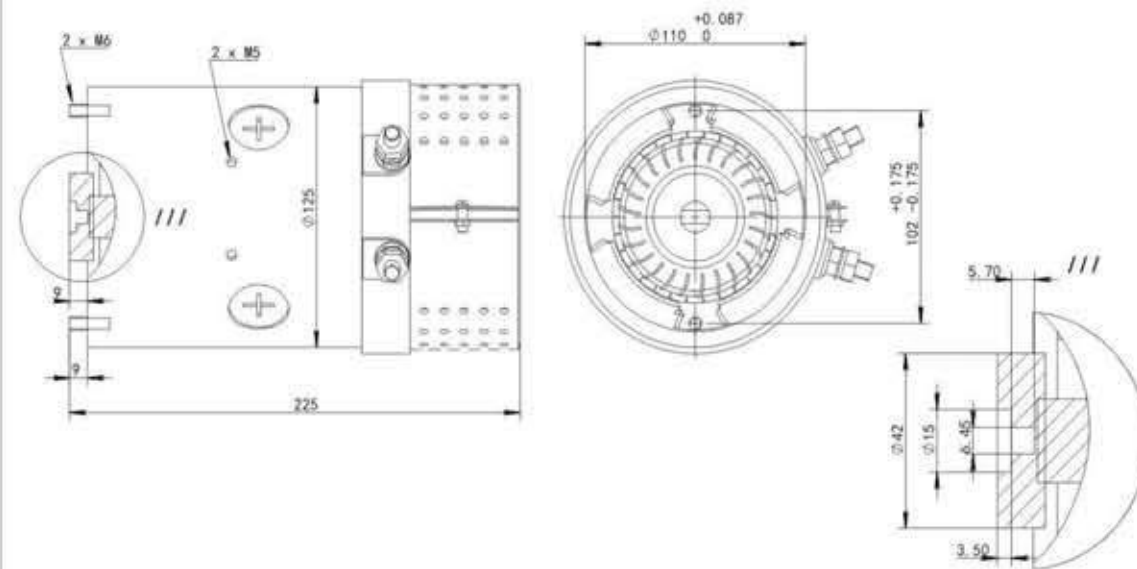


Fiable Hydraulics

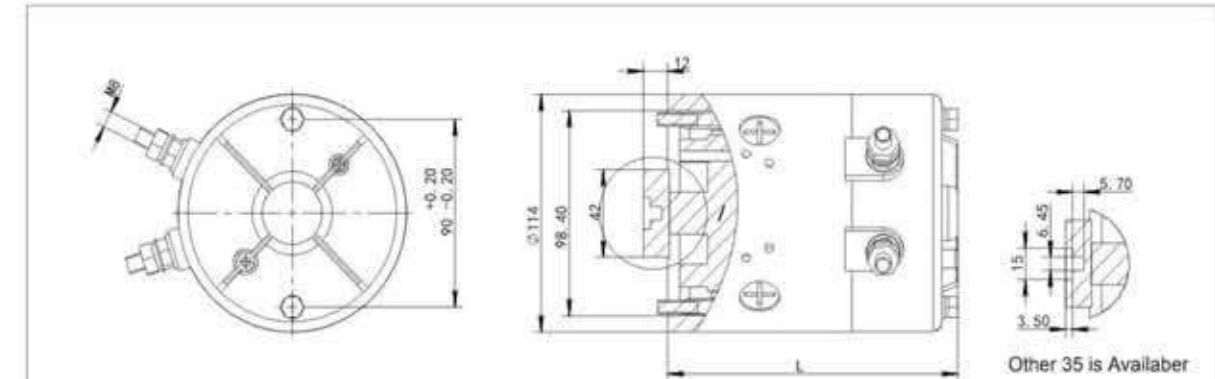
# Motor



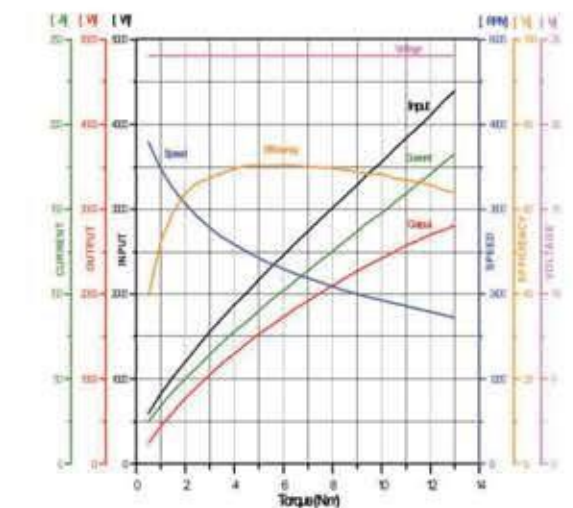
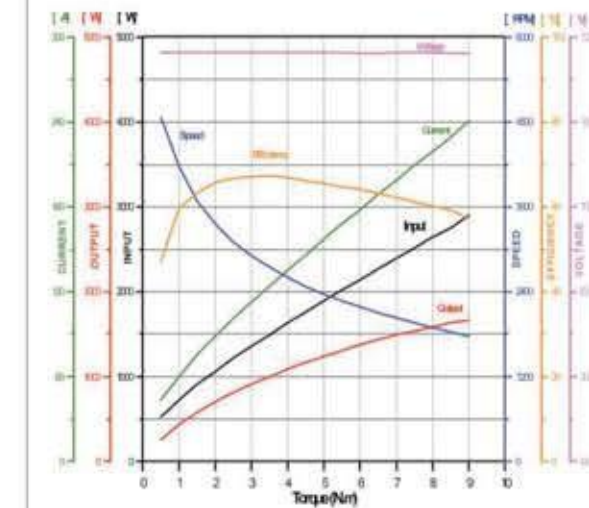
Order Code	Description	Work Duty	Speed	coupling	Rotation
DM1205-0	DC12V 0.5KW	S3	5400rpm	P-A022	CW: (Clockwise) or CCW: (Counterclock wise)
DM1205-1	DC12V 0.5KW +thermal protection	S3	5400rpm	P-A022	
DM2405-0	DC24V 0.5KW	S3	7080rpm	P-A022	
DM2405-1	DC24V 0.5KW +thermal protection	S3	7080rpm	P-A022	
DM1208-0	DC12V 0.8KW	S3	4900rpm	P-A022	
DM1208-1	DC12V 0.8KW +thermal protection	S3	4900rpm	P-A022	
DM2408-0	DC24V 0.8KW	S3	6000rpm	P-A022	
DM2408-1	DC24V 0.8KW +thermal protection	S3	6000rpm	P-A022	



Order Code	Description	Work Duty	Speed	Coupling	Rotation
DM1225-0	DC12V 2.5KW	S2:3min S3:10%ED	2620rpm	P-A022	CW: (Clockwise) or CCW: (Counterclock wise)
DM1225-1	DC12V 2.5KW +thermal protection	S2:3min S3:10%ED	2620rpm	P-A022	
DM2425-0	DC24V 2.5KW	S2:3min S3:10%ED	3440rpm	P-A022	
DM2425-1	DC24V 2.5KW +thermal protection	S2:3min S3:10%ED	3440rpm	P-A022	
DM1230-0	DC12V 3.0KW	S2:3min S3:10%ED	2340rpm	P-A022	
DM1230-1	DC12V 3.0KW +thermal protection	S2:3min S3:10%ED	2340rpm	P-A022	
DM2430-0	DC24V 3.0KW	S2:3min S3:10%ED	3250rpm	P-A022	
DM2430-1	DC24V 3.0KW +thermal protection	S2:3min S3:10%ED	3250rpm	P-A022	



Order Code	Description	Work Duty	Speed	L	Coupling	Rotation
DM1216-9-0	DC12V 1.6KW Nine-tooth	S2:3min S3:10%ED	2600rpm	177mm	P-A022	CW: (Clockwise) or CCW: (Counterclock wise)
DM1216-0	DC12V 1.6KW	S2:3min S3:10%ED	2600rpm	165mm	P-A022	
DM1216-9-1	DC12V 1.6KW +thermal protection Nine-tooth	S2:3min S3:10%ED	2600rpm	177mm	P-A022	
DM1216-1	DC12V 1.6KW +thermal protection	S2:3min S3:10%ED	2600rpm	165mm	P-A022	
DM2416-9-0	DC24V 1.6KW Nine-tooth	S2:3min S3:10%ED	3343rpm	177mm	P-A022	
DM2416-0	DC24V 1.6KW	S2:3min S3:10%ED	3343rpm	165mm	P-A022	
DM2416-9-1	DC24V 1.6KW +thermal protection Nine-tooth	S2:3min S3:10%ED	3343rpm	177mm	P-A022	
DM2416-1	DC24V 1.6KW +thermal protection	S2:3min S3:10%ED	3343rpm	165mm	P-A022	
DM1220-9-0	DC12V 2.0KW Nine-tooth	S2:3min S3:10%ED	2275rpm	177mm	P-A022	
DM1220-0	DC12V 2.0KW	S2:3min S3:10%ED	2275rpm	165mm	P-A022	
DM1220-9-1	DC12V 2.0KW +thermal protection Nine-tooth	S2:3min S3:10%ED	2275rpm	177mm	P-A022	
DM1220-1	DC12V 2.0KW +thermal protection	S2:3min S3:10%ED	2275rpm	165mm	P-A022	
DM2420-9-0	DC24V 2.0KW Nine-tooth	S2:3min S3:10%ED	3030rpm	177mm	P-A022	
DM2420-0	DC24V 2.0KW	S2:3min S3:10%ED	3030rpm	165mm	P-A022	
DM2420-9-1	DC24V 2.0KW +thermal protection Nine-tooth	S2:3min S3:10%ED	3030rpm	177mm	P-A022	
DM2420-1	DC24V 2.0KW +thermal protection	S2:3min S3:10%ED	3030rpm	165mm	P-A022	





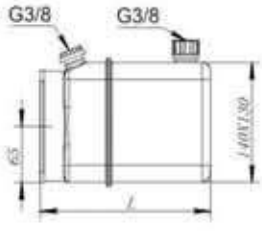


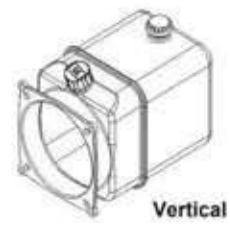
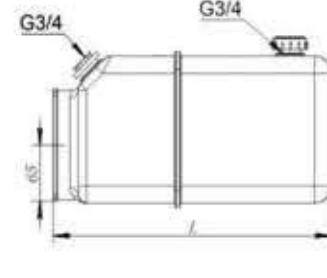
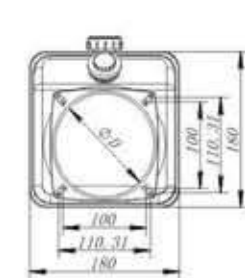


# Motor

DIMENSIONS	DESCRIPTION												
 <table border="1"> <tr> <th>POWER</th> <th>CODE</th> </tr> <tr> <td>3.0KW</td> <td>DM06</td> </tr> </table>	POWER	CODE	3.0KW	DM06	<p>VOLTAGE:DC24V</p> <p>POWER:3.0KW</p> <p>SPEED:3000rpm</p> <p>MOTOR ROTATION: CW</p> <p>DUTY:S3</p> <p>INGRESS PROTECTION:IP54</p>								
POWER	CODE												
3.0KW	DM06												
 <table border="1"> <tr> <th>POWER</th> <th>CODE</th> </tr> <tr> <td>0.75KW</td> <td>AM01</td> </tr> <tr> <td>1.1KW</td> <td>AM02</td> </tr> <tr> <td>1.5KW</td> <td>AM03</td> </tr> <tr> <td>2.2KW</td> <td>AM04</td> </tr> <tr> <td>3.0KW</td> <td>AM05</td> </tr> </table>	POWER	CODE	0.75KW	AM01	1.1KW	AM02	1.5KW	AM03	2.2KW	AM04	3.0KW	AM05	<p>VOLTAGE : AC220V/AC230V</p> <p>POWER:0.75KW,1.1KW,1.5KW 2.2KW,3.0KW</p> <p>POLE NO: 2, 4</p> <p>FREQUENCY:50HZ,60HZ</p> <p>DUTY:S1 S6</p> <p>INGRESS PROTECTION:IP44,IP54</p> <p>INSULATION CLASS:B</p>
POWER	CODE												
0.75KW	AM01												
1.1KW	AM02												
1.5KW	AM03												
2.2KW	AM04												
3.0KW	AM05												
 <table border="1"> <tr> <th>POWER</th> <th>CODE</th> </tr> <tr> <td>0.75KW</td> <td>AM01</td> </tr> <tr> <td>1.1KW</td> <td>AM02</td> </tr> <tr> <td>1.5KW</td> <td>AM03</td> </tr> <tr> <td>2.2KW</td> <td>AM04</td> </tr> <tr> <td>3.0KW</td> <td>AM05</td> </tr> </table>	POWER	CODE	0.75KW	AM01	1.1KW	AM02	1.5KW	AM03	2.2KW	AM04	3.0KW	AM05	<p>VOLTAGE : AC380V/AC415V/440V</p> <p>POWER:0.75KW,1.1KW,1.5KW 2.2KW,3.0KW</p> <p>POLE NO: 2,4</p> <p>FREQUENCY:50HZ,60HZ</p> <p>DUTY:S1 S6</p> <p>INGRESS PROTECTION: IP44,IP54</p> <p>INSULATION CLASS:B</p>
POWER	CODE												
0.75KW	AM01												
1.1KW	AM02												
1.5KW	AM03												
2.2KW	AM04												
3.0KW	AM05												



Fiable Hydraulics

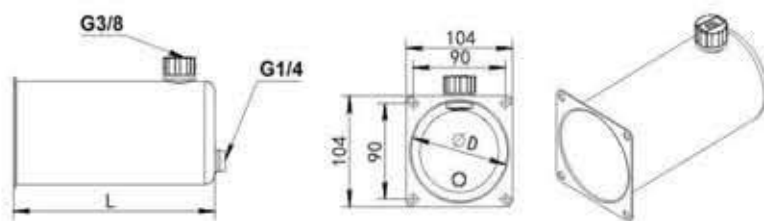
# Tank

   	<p><b>Plastic Oil Tank</b></p> <table border="1"> <thead> <tr> <th>ORDER CODE</th> <th>Model</th> <th>φD(mm)</th> <th>L(mm)</th> <th>Volume(L)</th> <th>Description</th> </tr> </thead> <tbody> <tr> <td>420015</td> <td>PT-120-1.5L</td> <td>120</td> <td>140</td> <td>1.5</td> <td rowspan="6">1.Surface Color: White 2."H"Type:Horizontal "V"Type:Vertical 3.Air Breather And Plug Include</td> </tr> <tr> <td>420025</td> <td>PT-120-2.5L</td> <td>120</td> <td>210</td> <td>2.5</td> </tr> <tr> <td>420038</td> <td>PT-120-3.8L</td> <td>120</td> <td>285</td> <td>3.8</td> </tr> <tr> <td>423015</td> <td>PT-123-1.5L</td> <td>123</td> <td>140</td> <td>1.5</td> </tr> <tr> <td>423025</td> <td>PT-123-2.5L</td> <td>123</td> <td>210</td> <td>2.5</td> </tr> <tr> <td>423038</td> <td>PT-123-3.8L</td> <td>123</td> <td>285</td> <td>3.8</td> </tr> </tbody> </table>	ORDER CODE	Model	φD(mm)	L(mm)	Volume(L)	Description	420015	PT-120-1.5L	120	140	1.5	1.Surface Color: White 2."H"Type:Horizontal "V"Type:Vertical 3.Air Breather And Plug Include	420025	PT-120-2.5L	120	210	2.5	420038	PT-120-3.8L	120	285	3.8	423015	PT-123-1.5L	123	140	1.5	423025	PT-123-2.5L	123	210	2.5	423038	PT-123-3.8L	123	285	3.8																																																		
ORDER CODE	Model	φD(mm)	L(mm)	Volume(L)	Description																																																																																			
420015	PT-120-1.5L	120	140	1.5	1.Surface Color: White 2."H"Type:Horizontal "V"Type:Vertical 3.Air Breather And Plug Include																																																																																			
420025	PT-120-2.5L	120	210	2.5																																																																																				
420038	PT-120-3.8L	120	285	3.8																																																																																				
423015	PT-123-1.5L	123	140	1.5																																																																																				
423025	PT-123-2.5L	123	210	2.5																																																																																				
423038	PT-123-3.8L	123	285	3.8																																																																																				
   	<p><b>Plastic Oil Tank</b></p> <table border="1"> <thead> <tr> <th>ORDER CODE</th> <th>Model</th> <th>φD(mm)</th> <th>L(mm)</th> <th>Volume(L)</th> <th>Description</th> </tr> </thead> <tbody> <tr> <td>420040</td> <td>PT-120-4L</td> <td>120</td> <td>200</td> <td>4</td> <td rowspan="16">1.Surface Color: White 2."H"Type:Horizontal "V"Type:Vertical 3.Air Breather And Plug Include</td> </tr> <tr> <td>420050</td> <td>PT-120-5L</td> <td>120</td> <td>260</td> <td>5</td> </tr> <tr> <td>420070</td> <td>PT-120-7L</td> <td>120</td> <td>290</td> <td>7</td> </tr> <tr> <td>420080</td> <td>PT-120-8L</td> <td>120</td> <td>335</td> <td>8</td> </tr> <tr> <td>420110</td> <td>PT-120-11L</td> <td>120</td> <td>440</td> <td>11</td> </tr> <tr> <td>420130</td> <td>PT-120-13L</td> <td>120</td> <td>550</td> <td>13</td> </tr> <tr> <td>420180</td> <td>PT-120-18L</td> <td>120</td> <td>700</td> <td>18</td> </tr> <tr> <td>420240</td> <td>PT-120-24L</td> <td>120</td> <td>1050</td> <td>24</td> </tr> <tr> <td>423040</td> <td>PT-123-4L</td> <td>123</td> <td>200</td> <td>4</td> </tr> <tr> <td>423050</td> <td>PT-123-5L</td> <td>123</td> <td>260</td> <td>5</td> </tr> <tr> <td>423070</td> <td>PT-123-7L</td> <td>123</td> <td>290</td> <td>7</td> </tr> <tr> <td>423080</td> <td>PT-123-8L</td> <td>123</td> <td>335</td> <td>8</td> </tr> <tr> <td>423110</td> <td>PT-123-11L</td> <td>123</td> <td>440</td> <td>11</td> </tr> <tr> <td>423130</td> <td>PT-123-13L</td> <td>123</td> <td>550</td> <td>13</td> </tr> <tr> <td>423180</td> <td>PT-123-18L</td> <td>123</td> <td>700</td> <td>18</td> </tr> <tr> <td>423240</td> <td>PT-123-24L</td> <td>123</td> <td>1050</td> <td>24</td> </tr> </tbody> </table>	ORDER CODE	Model	φD(mm)	L(mm)	Volume(L)	Description	420040	PT-120-4L	120	200	4	1.Surface Color: White 2."H"Type:Horizontal "V"Type:Vertical 3.Air Breather And Plug Include	420050	PT-120-5L	120	260	5	420070	PT-120-7L	120	290	7	420080	PT-120-8L	120	335	8	420110	PT-120-11L	120	440	11	420130	PT-120-13L	120	550	13	420180	PT-120-18L	120	700	18	420240	PT-120-24L	120	1050	24	423040	PT-123-4L	123	200	4	423050	PT-123-5L	123	260	5	423070	PT-123-7L	123	290	7	423080	PT-123-8L	123	335	8	423110	PT-123-11L	123	440	11	423130	PT-123-13L	123	550	13	423180	PT-123-18L	123	700	18	423240	PT-123-24L	123	1050	24
ORDER CODE	Model	φD(mm)	L(mm)	Volume(L)	Description																																																																																			
420040	PT-120-4L	120	200	4	1.Surface Color: White 2."H"Type:Horizontal "V"Type:Vertical 3.Air Breather And Plug Include																																																																																			
420050	PT-120-5L	120	260	5																																																																																				
420070	PT-120-7L	120	290	7																																																																																				
420080	PT-120-8L	120	335	8																																																																																				
420110	PT-120-11L	120	440	11																																																																																				
420130	PT-120-13L	120	550	13																																																																																				
420180	PT-120-18L	120	700	18																																																																																				
420240	PT-120-24L	120	1050	24																																																																																				
423040	PT-123-4L	123	200	4																																																																																				
423050	PT-123-5L	123	260	5																																																																																				
423070	PT-123-7L	123	290	7																																																																																				
423080	PT-123-8L	123	335	8																																																																																				
423110	PT-123-11L	123	440	11																																																																																				
423130	PT-123-13L	123	550	13																																																																																				
423180	PT-123-18L	123	700	18																																																																																				
423240	PT-123-24L	123	1050	24																																																																																				



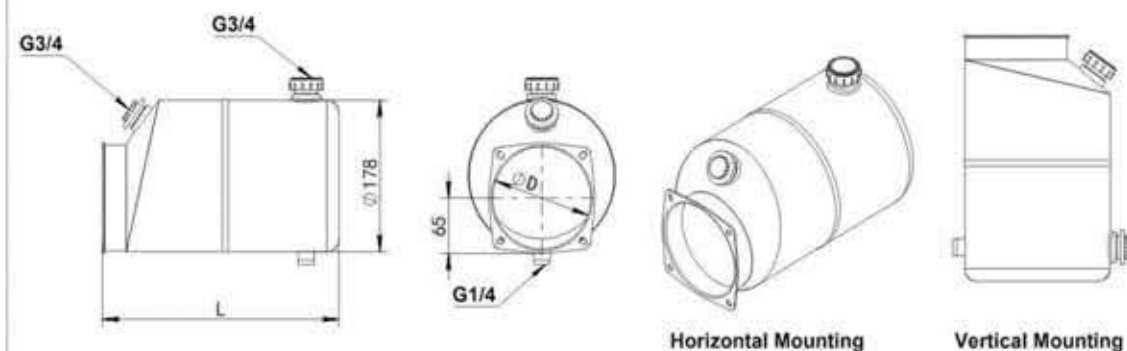


# Tank



Steel Oil Tank

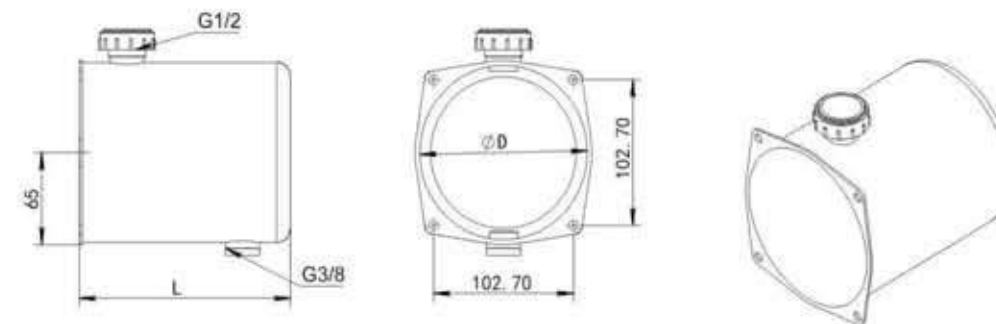
Order Code	Model	φD(mm)	L(mm)	Volume(L)	Description
329406-S	ST-94-0.6L	94	150	0.6	1. Surface Color Optional: Black Other Colors Can Be Customized 2. "H" Type: Horizontal 3. Air Breather And Plug Include
329412-S	ST-94-1.2L	94	197	1.2	
329420-S	ST-94-2.0L	94	330	2.0	
329425-S	ST-94-2.5L	94	400	2.5	



Steel Oil Tank

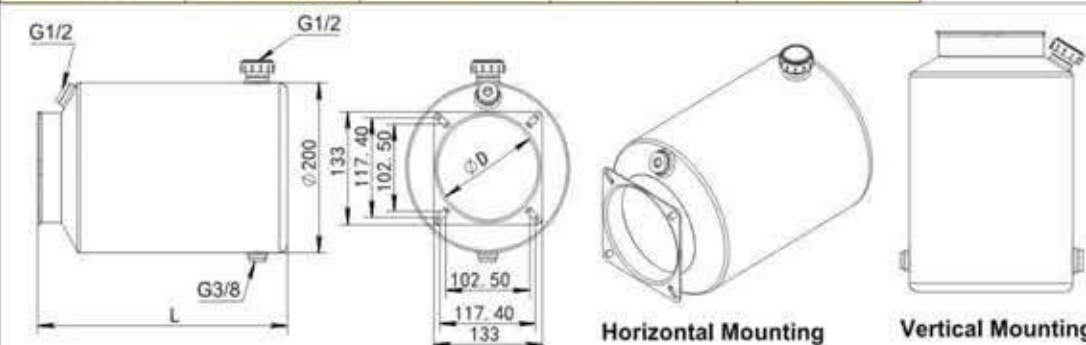
Order Code	Model	φD(mm)	L(mm)	Volume(L)	Description
320040	ST-120-4L	120	225	4	1. Surface Color Optional: Black Other Colors Can Be Customized 2. "H" Type: Horizontal 3. Air Breather And Plug Include
320050	ST-120-5L	120	265	5	
320060	ST-120-6L	120	290	6	
320080	ST-120-8L	120	365	8	
320100	ST-120-10L	120	435	10	
320120	ST-120-12L	120	545	12	
320150	ST-120-15L	120	650	15	
323040	ST-123-4L	123	225	4	
323050	ST-123-5L	123	265	5	
323060	ST-123-6L	123	290	6	
323080	ST-123-8L	123	365	8	
323100	ST-123-10L	123	435	10	
323120	ST-123-12L	123	545	12	
323150	ST-123-15L	123	650	15	

# Tank



Steel Oil Tank

Order Code	Model	φD(mm)	L(mm)	Volume(L)	Description
320015-S	ST-120-1.5	120	155	1.5	1. Surface Color Optional: Black Other Colors Can Be Customized 2. "H" Type: Horizontal 3. Air Breather And Plug Include
320025-S	ST-120-2.5	120	230	2.5	
323015-S	ST-123-1.5	123	155	1.5	
323025-S	ST-123-2.5	123	230	2.5	

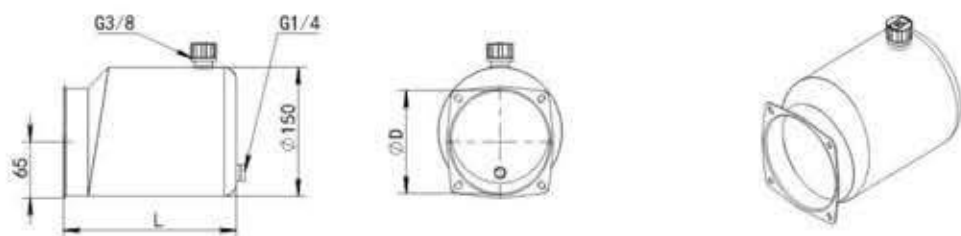


Steel Oil Tank

Order Code	Model	φD(mm)	L(mm)	Volume(L)	Description
320030-S	ST-120-3S*	120	150	3	1. Surface Color Optional: Black 2. "H" Type: Horizontal 3. Air Breather And Plug Include
320050-S	ST-120-5S*	120	210	5	
320080-S	ST-120-8S*	120	300	8	
320100-S	ST-120-10S*	120	375	10	
320120-S	ST-120-12S*	120	440	12	
320150-S	ST-120-15S*	120	535	15	
323030-S	ST-123-3S*	123	150	3	
323050-S	ST-123-5S*	123	210	5	
323080-S	ST-123-8S*	123	300	8	
323100-S	ST-123-10S*	123	375	10	
323120-S	ST-123-12S*	123	440	12	
323150-S	ST-123-15S*	123	535	15	



# Tank



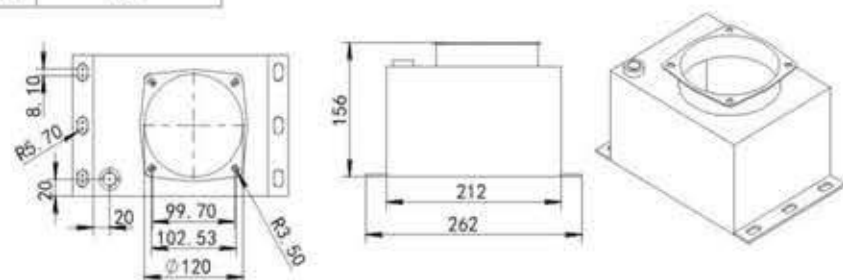
Steel Oil Tank

Order Code	Model	φD(mm)	L(mm)	Volume(L)	Description
320015	ST-120-150-1.5L	120	120	1.5	1. Surface Color Optional: Black Other Colors Can Be Customized 2. "H"Type:Horizontal 3. Air Breather And Plug Include
320030	ST-120-150-3L	120	197	3	
320045	ST-120-150-4.5L	120	310	4.5	
323015	ST-123-150-1.5L	123	120	1.5	
323030	ST-123-150-3L	123	210	3	
323045	ST-123-150-4.5L	123	310	4.5	



Order Code	φD(mm)	L(mm)	W(mm)	H(mm)	Volume(L)	Description
ST-120-15LV	120	300	250	270	15	1. Surface Color Optional: Red and Black 2. "V"Type:Vertical 3. Air Breather And Plug Include 4. Square Steel Tank
ST-120-20LV	120	300	300	280	20	
ST-120-30LV	120	350	300	330	30	
ST-123-15LV	123	300	250	270	15	
ST-123-20LV	123	300	300	280	20	
ST-123-30LV	123	350	300	330	30	

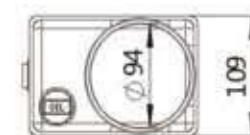
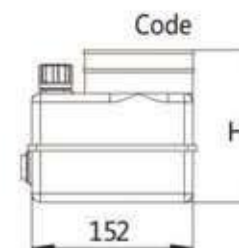
Code	SST-120-4LV
Volume	4L



- 1. Surface Color Optional: Red and Black
- 2. "V"Type:Vertical
- 3. Air Breather And Plug Include
- 4. Square Steel Tank

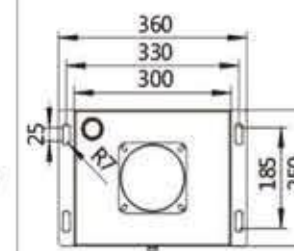
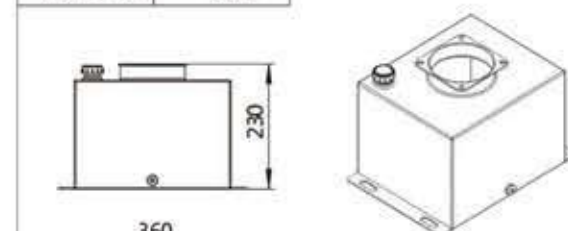
# Tank

Code	PT-94-1L	PT-94-3L
Volume	1L	3L
High(cm)	138	265



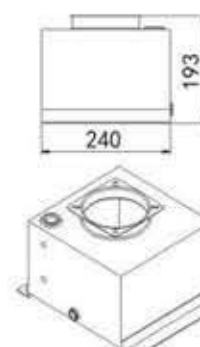
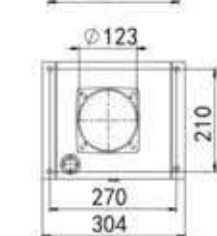
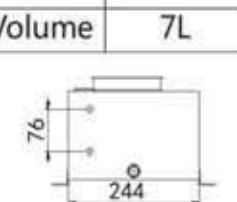
- 1. Plastic Oil Tank
- 2. Surface Color: White
- 3. "H"Type: Horizontal  
"V"Type: Vertical

Code	SST-120-10LV
Volume	10L



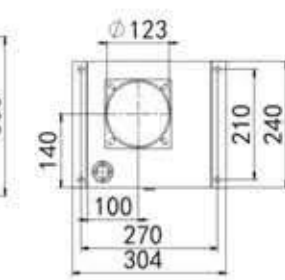
- 1. Square Steel Tank
- 2. Surface Color Optional: Red and Black
- 3. "V"Type: Vertical
- 4. 123mm Neck Size Available

Code	SST-123-7LCV
Volume	7L



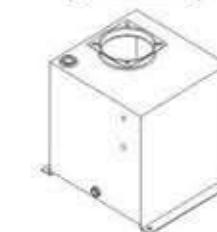
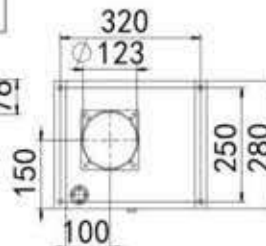
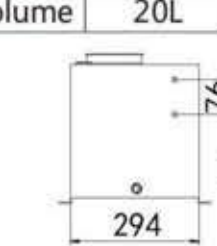
- 1. Square Steel Tank
- 2. Surface Color: Optional Red and Black
- 3. "V"Type: Vertical

Code	SST-123-15LCV
Volume	15L



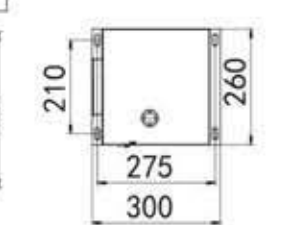
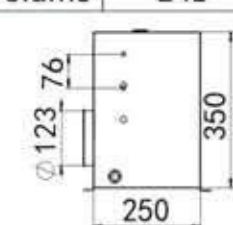
- 1. Square Steel Tank
- 2. Surface Color: Optional Red and Black
- 3. "V"Type: Vertical

Code	SST-123-20LCV
Volume	20L



- 1. Square Steel Tank
- 2. Surface Color: Optional Red and Black
- 3. "V"Type: Vertical

Code	SST-123-24LCH
Volume	24L



- 1. Square Steel Tank
- 2. Surface Color: Optional Red and Black
- 3. "V"Type: Vertical

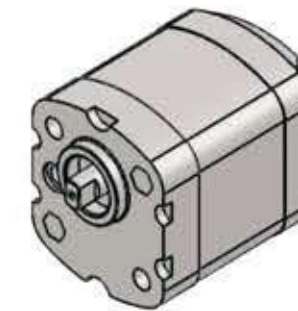




# Tank

Code	SST-123-30LCH	Code	SST-120-12LH			
Volume	30L	Volume	12L			
<p>1.Square Steel Tank 2.Surface Color:Optional Red and Black 3.*V*Type:Vertical</p>		<p>1.Square Steel Tank 2.Surface Color:Optional Red and Black 3.*V*Type:Vertical</p>				
Code	SST-120-17LH	Code	SST-123-25LH			
Volume	17L	Volume	25L			
<p>1.Square Steel Tank 2.Surface Color:Optional Red and Black 3.*V*Type:Vertical</p>		<p>1.Square Steel Tank 2.Surface Color:Optional Red and Black 3.*V*Type:Vertical</p>				
Code	SST-120-25LH	<p>1.Square Steel Tank 2.Surface Color:Optional Red and Black 3.*V*Type:Vertical</p>				
Volume	25L	<p>1.Square Steel Tank 2.Surface Color:Optional Red and Black 3.*V*Type:Vertical</p>				
		CODE	Description	Assembly code	L (mm)	B (mm)
		SST-123-10LCH	10L square horiz./vert mounting	10LCH/10LCV	330	185
		SST-123-22LCH	22L square horiz./vert mounting	22LCH/22LCV	470	223

# Gear Pump Group 0.5

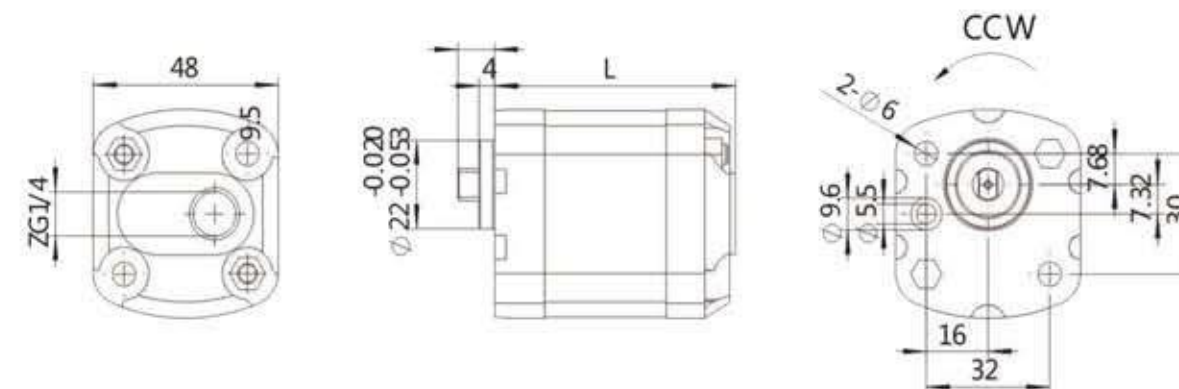


To mount the pump, n.2M5 screws, with a torque wrench setting fixed  $5.4 \pm 0.5$  NM

CW , CCW as option

INLET

OUTLET

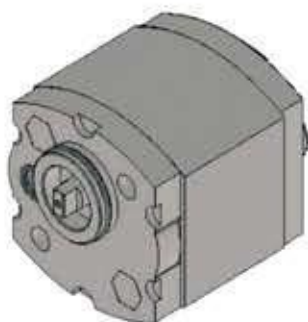


TYPE	DISPLACEMENT (cc/r)	MAX PRESSURE (bar)			MAX.SPEED (r/min)	MIN.SPEED (r/min)	LENGTH (mm)
		P1	P2	P3			
GP-F100.19	0.19	200	230	250	7000	1000	60
GP-F100.26	0.26	200	230	250	7000	1000	60.5
GP-F100.38	0.38	200	230	250	7000	1000	61.5
GP-F100.50	0.50	200	230	250	7000	1000	62.5
GP-F100.65	0.65	200	230	250	7000	1000	63.5
GP-F100.75	0.75	200	230	250	7000	1000	64.5
GP-F100.88	0.88	200	230	250	7000	1000	65.5
GP-F101.00	1.00	200	230	250	6000	850	66.5
GP-F101.25	1.25	200	230	250	5000	700	68.5
GP-F101.50	1.50	200	230	250	4000	600	70.5
GP-F101.75	1.75	180	210	230	4000	600	72.5
GP-F102.00	2.00	160	190	210	3000	500	74.5



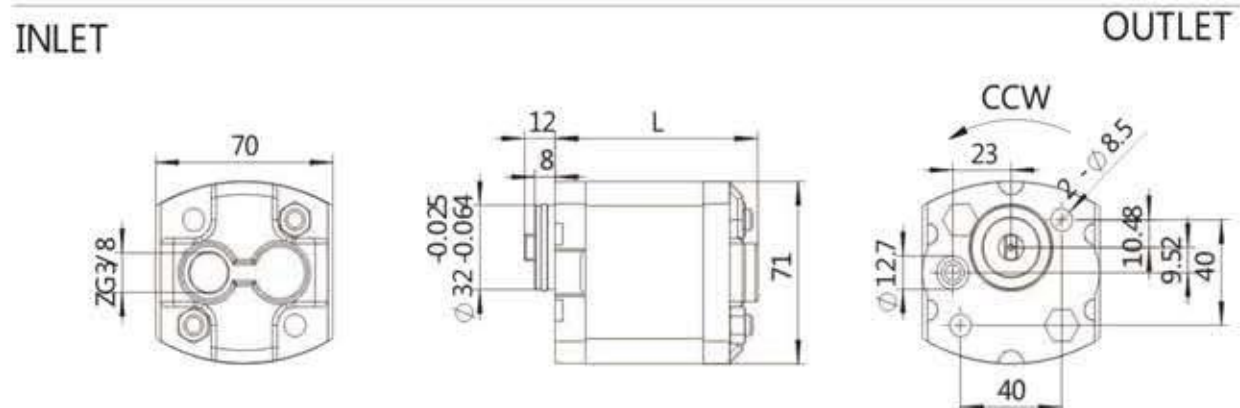


## Gear Pump Group 1.0



To mount the pump, n.2M8 screws, with a torque wrench setting fixed  $27 \pm 3$  NM

CW , CCW as option



TYPE	DISPLACEMENT (cc/r)	MAX PRESSURE (bar)			MAX.SPEED (r/min)	MIN.SPEED (r/min)	LENGTH (mm)
		P1	P2	P3			
GP-F200.75	0.75	230	250	270	6000	1000	73.5
GP-F201.1	1.1	230	250	270	6000	1000	75.5
GP-F201.3	1.3	230	250	270	6000	1000	76.5
GP-F201.6	1.6	230	250	270	6000	1000	77.5
GP-F202.1	2.1	230	250	270	6000	1000	80
GP-F202.6	2.6	230	250	270	6000	800	82
GP-F203.2	3.2	210	230	250	5000	800	85
GP-F203.7	3.7	210	230	250	4500	800	87.5
GP-F204.2	4.2	210	230	250	4000	800	90
GP-F204.8	4.8	190	210	230	3500	600	92.5
GP-F205.8	5.8	190	210	230	3000	600	97
GP-F207.0	7.0	160	180	200	2500	500	105
GP-F208.0	8.0	160	180	200	2100	500	109.5

## Accessories

### DCMotor-Start Switch

CODE	VOLTAGE	WORKING CURRENT	DIMENSIONS
DC1261	DC12V	150A	
DC2461	DC24V	150A	

### DCMotor—Protection Cover

CODE			
MC002			

### Coupling

CODE	C46	C57		
LENGTH	46mm	57mm		

### Custom Coupling

CODE	360029	360033		
LENGTH	29mm	33mm		
Other coupling is available				





## Accessories

COUPLINGS			
CODE 360007		CODE 360009	
CODE 360008		CODE 360028	
CODE 360011		CODE 360013	
CODE 360015		CODE 360016	
CODE 360018		CODE 360019	

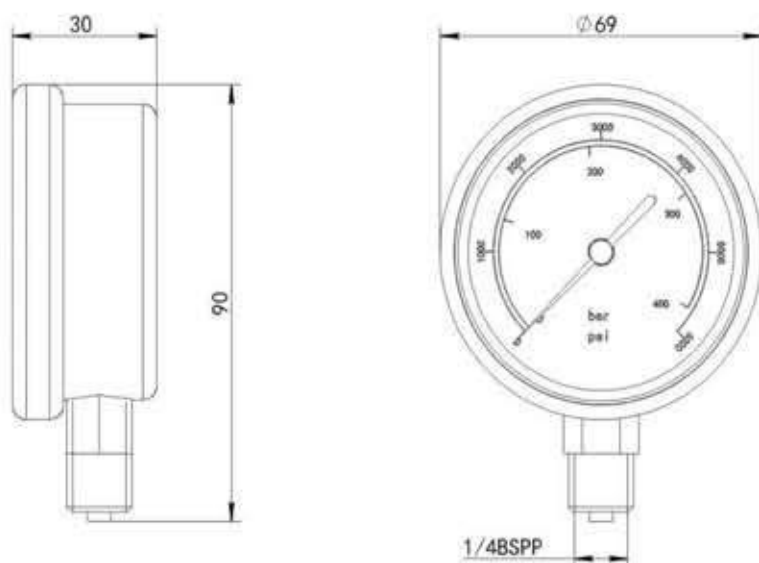
## Accessories

Suction Pipe			
CODE NOTE	ZG38-90 Steel	CODE NOTE	ZG38-14-90 Steel
CODE	LENGTH	CODE	LENGTH
PSP-40	40mm	PSP-200	200mm
PSP-80	80mm	PSP-240	240mm
PSP-100	100mm	PSP-315	315mm
PSP-145	145mm	PSP-400	400mm
1. Plastic Suction Pipe 2. Other length is available			
Filter			
CODE F43		CODE F65	
		CODE F70	
Return Pipe			
CODE	LENGTH		
RP-G14-120	120mm		
RP-G14-180	180mm		
RP-G14-280	280mm		
RP-G14-320	320mm		
1. Plastic Return Pipe 2. Other length is available			

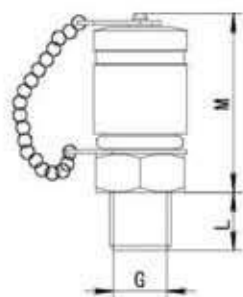


## Accessories

pressure gauge



Pressure tap

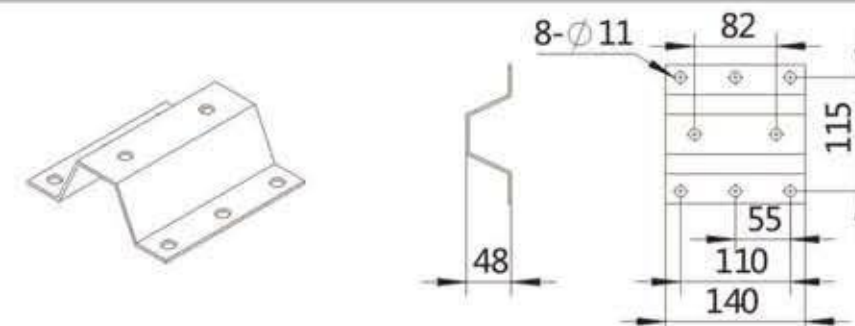


CODE	G	L (mm)	M (mm)
BTC-20-G18	G1/8	8	37
BTC-20-G1/4	G1/4	12	37
BTC-20-G3/8	G3/8	14	37
BTC-20-G1/2	G1/2	15	37

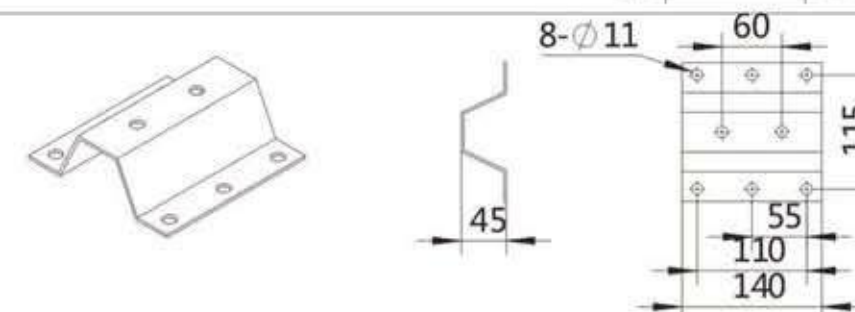
## Accessories

Mounting Bracket

CODE  
TGT-M82-48



CODE  
TGT-M60

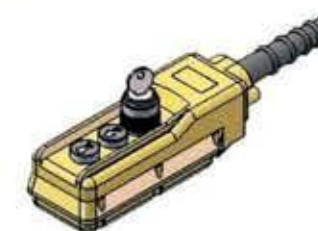


Button Remote Pendant

CODE  
BRP02



CODE  
LBRP03



CODE  
BRP04



Wireless Remote Control Pendant

CODE  
WRCP12



Control Power Unit  
100 Meters Away





## Accessories

## Accessories

Steel Tank Neck									
<table border="1"> <tr><td>CODE</td><td>390120</td></tr> <tr><td>NOTE</td><td>steel</td></tr> </table> <p><b>390120</b></p>	CODE	390120	NOTE	steel	<table border="1"> <tr><td>CODE</td><td>390123</td></tr> <tr><td>NOTE</td><td>steel</td></tr> </table> <p><b>390123</b></p>	CODE	390123	NOTE	steel
CODE	390120								
NOTE	steel								
CODE	390123								
NOTE	steel								
Return pipe									
<table border="1"> <tr><td>CODE</td><td>RP-14-90</td></tr> <tr><td>NOTE</td><td>Plastic</td></tr> </table>	CODE	RP-14-90	NOTE	Plastic					
CODE	RP-14-90								
NOTE	Plastic								
<table border="1"> <tr><td>CODE</td><td>16FC</td></tr> </table>	CODE	16FC							
CODE	16FC								

<table border="1"> <tr><td>CODE</td><td>390013</td></tr> </table> <p><math>L1+L2=0.7m</math></p> <p><b>CABLE COLOR</b> 1= Brown 2= Blue 3= Green</p>	CODE	390013	<table border="1"> <tr><td>CODE</td><td>390023</td></tr> </table> <p><math>L1+L2=3.8m</math></p> <p><b>CABLE COLOR</b> 1= Brown 2= Blue 3= Green</p>	CODE	390023
CODE	390013				
CODE	390023				
<table border="1"> <tr><td>CODE</td><td>390014</td></tr> </table> <p><math>L1+L2=0.7m</math></p> <p><b>CABLE COLOR</b> 1 = Brown 2 = Blue 3 = Green 4 = Black</p>	CODE	390014	<table border="1"> <tr><td>CODE</td><td>390024</td></tr> </table> <p><math>L1+L2=3.8m</math></p> <p><b>CABLE COLOR</b> 1 = Brown 2 = Blue 3 = Green 4 = Black</p>	CODE	390024
CODE	390014				
CODE	390024				

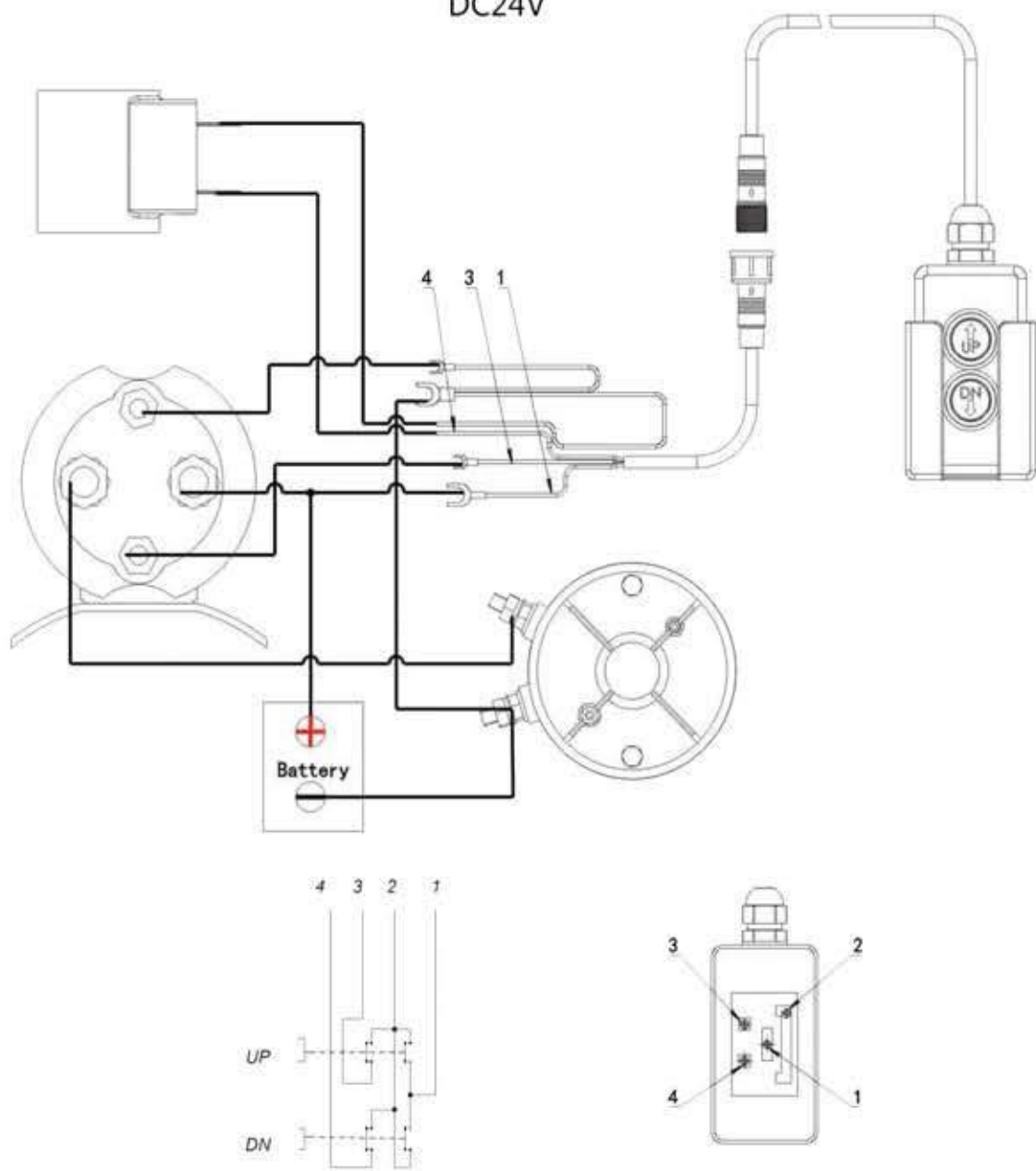


Fiable Hydraulics

# Wiring Diagram

## Single Action Switch Wiring Diagram

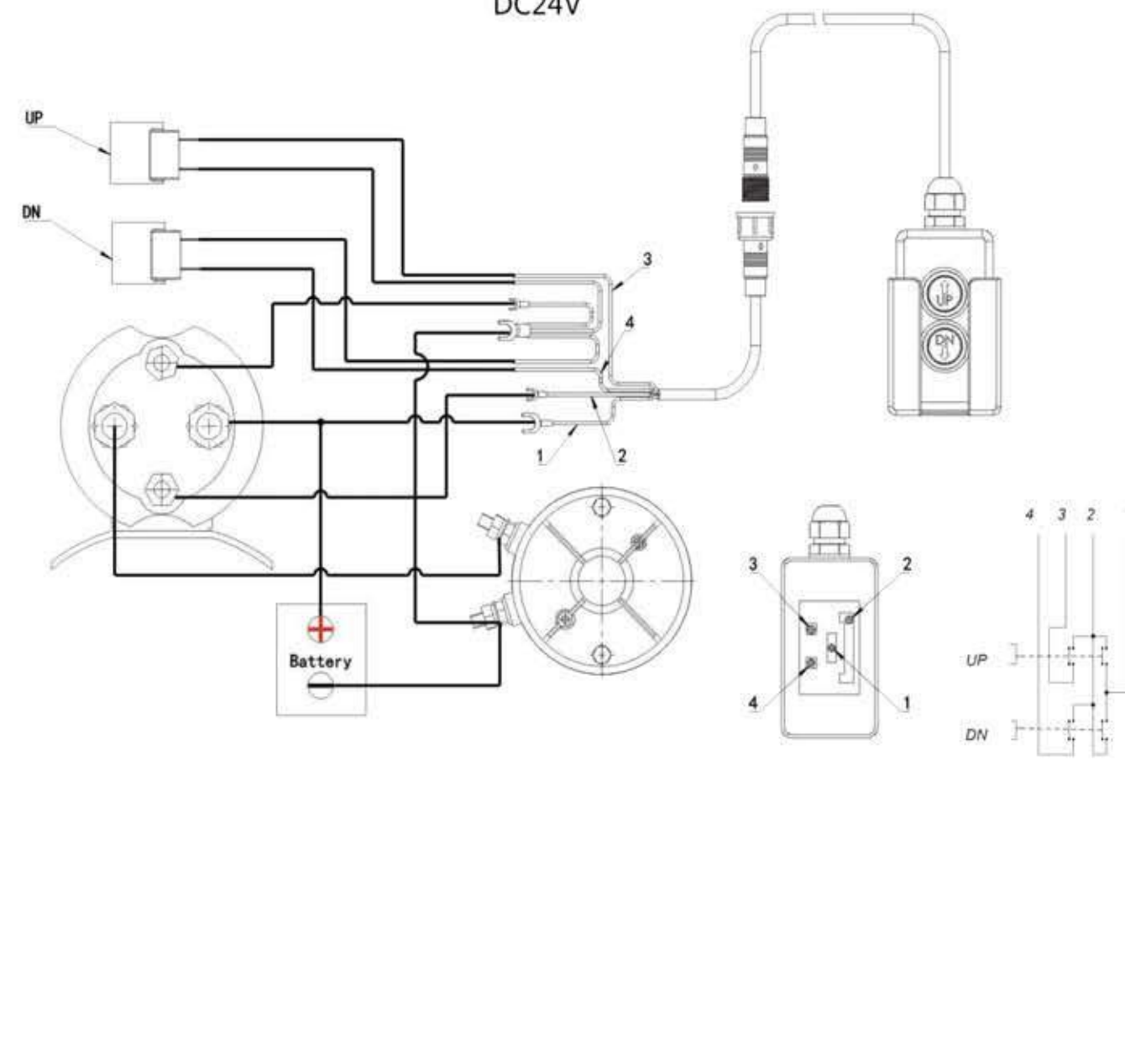
CODE:BRP02-3 Suit With:DC12V  
DC24V



# Wiring Diagram

## Double Action Wiring Diagram

CODE:BRP02-4 Suit With:DC12V  
DC24V



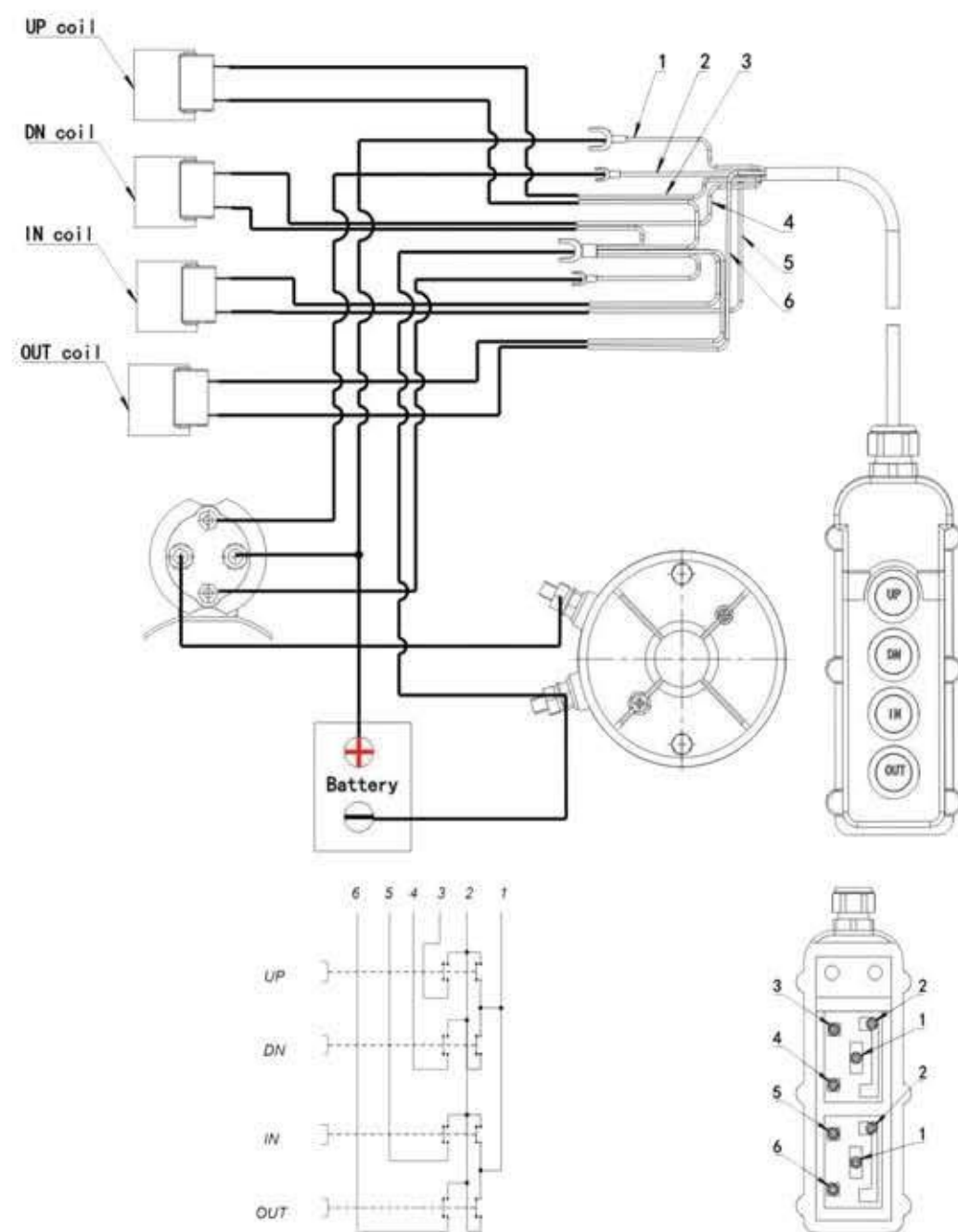




# Wiring Diagram

## 2 x Double Action Wiring Diagram

CODE:BRP04-6 Suit With:DC12V  
DC24V

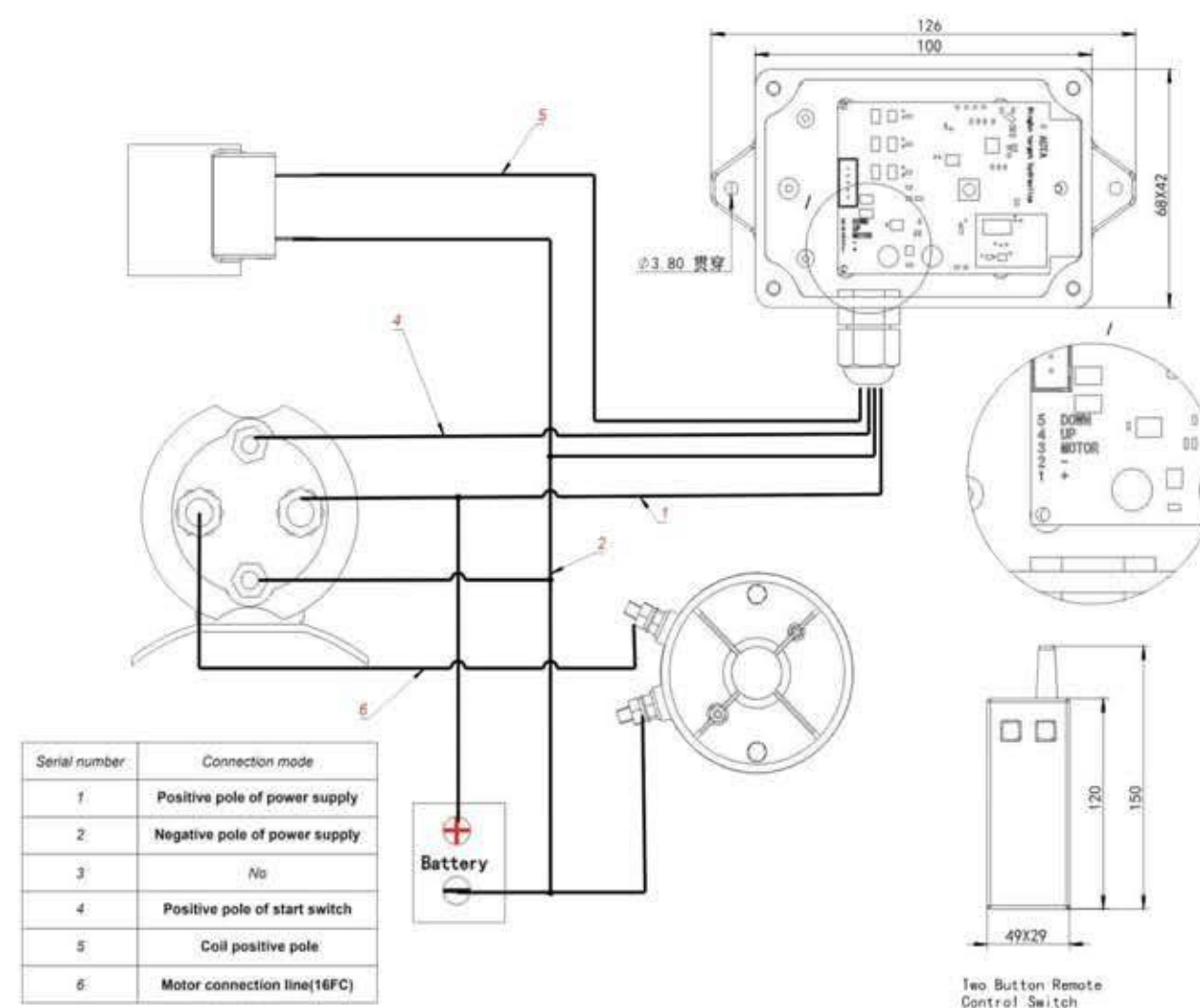


# Wiring Diagram

## Single Action Wireless Remote Wiring Diagram

ITEM	Wireless Remote	Voltage	DC12V
CODE	WRCP-2-S	Suit With	DC24V

30 METERS AWAY



Serial number	Connection mode
1	Positive pole of power supply
2	Negative pole of power supply
3	No
4	Positive pole of start switch
5	Coil positive pole
6	Motor connection line(16FC)

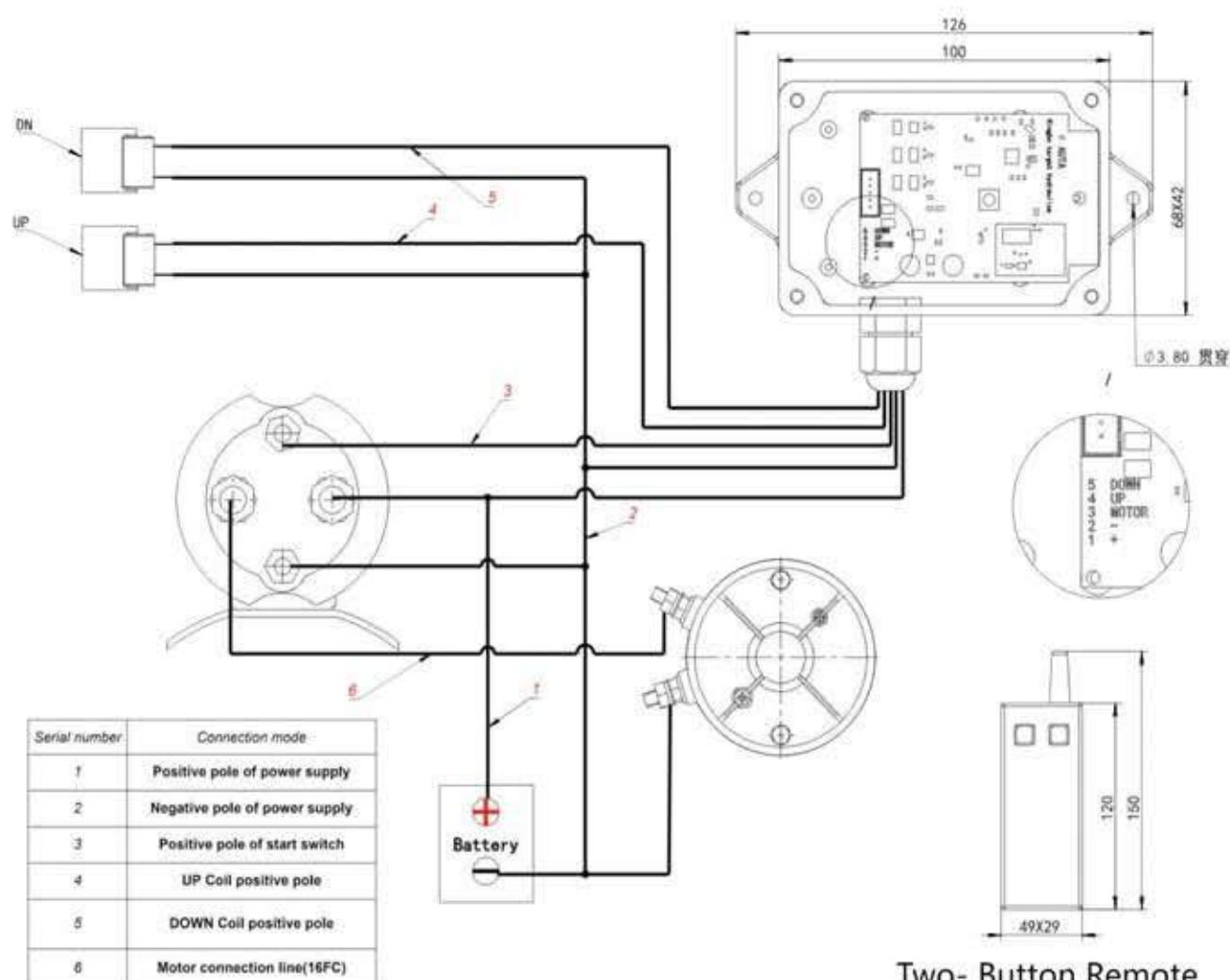


# Wiring Diagram

## Double Action Wireless Remote Wiring Diagram

ITEM	Wireless Remote	Voltage	DC12V
CODE	WRCP-2-D	Suit With	DC24V

30 METERS AWAY



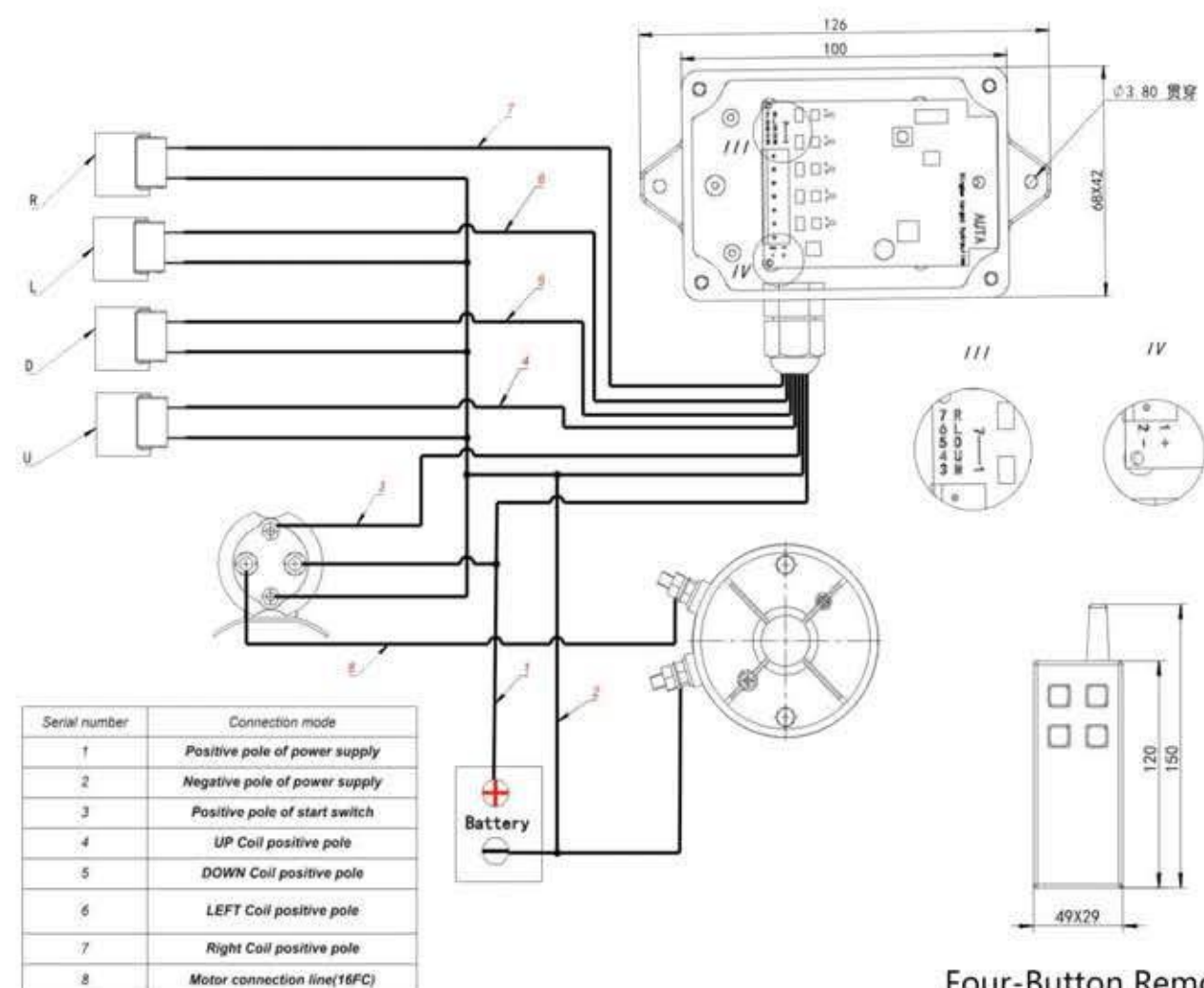
Two- Button Remote Control Switch

# Wiring Diagram

## 2 x Double Action Wireless Remote Wiring Diagram

ITEM	Wireless Remote	Voltage	DC12V
CODE	WRCP-4	Suit With	DC24V

30 METERS AWAY

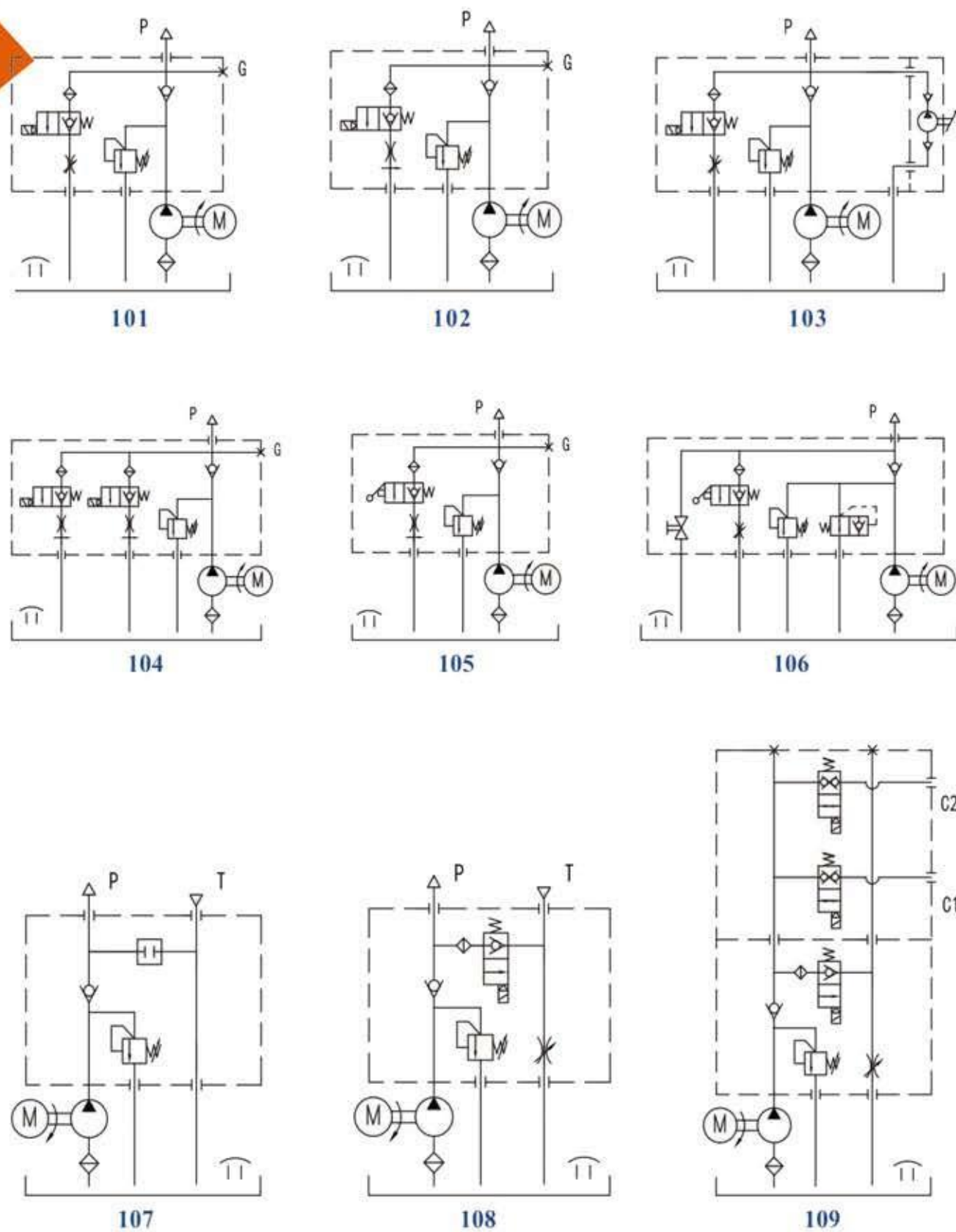


Four-Button Remote Control Switch

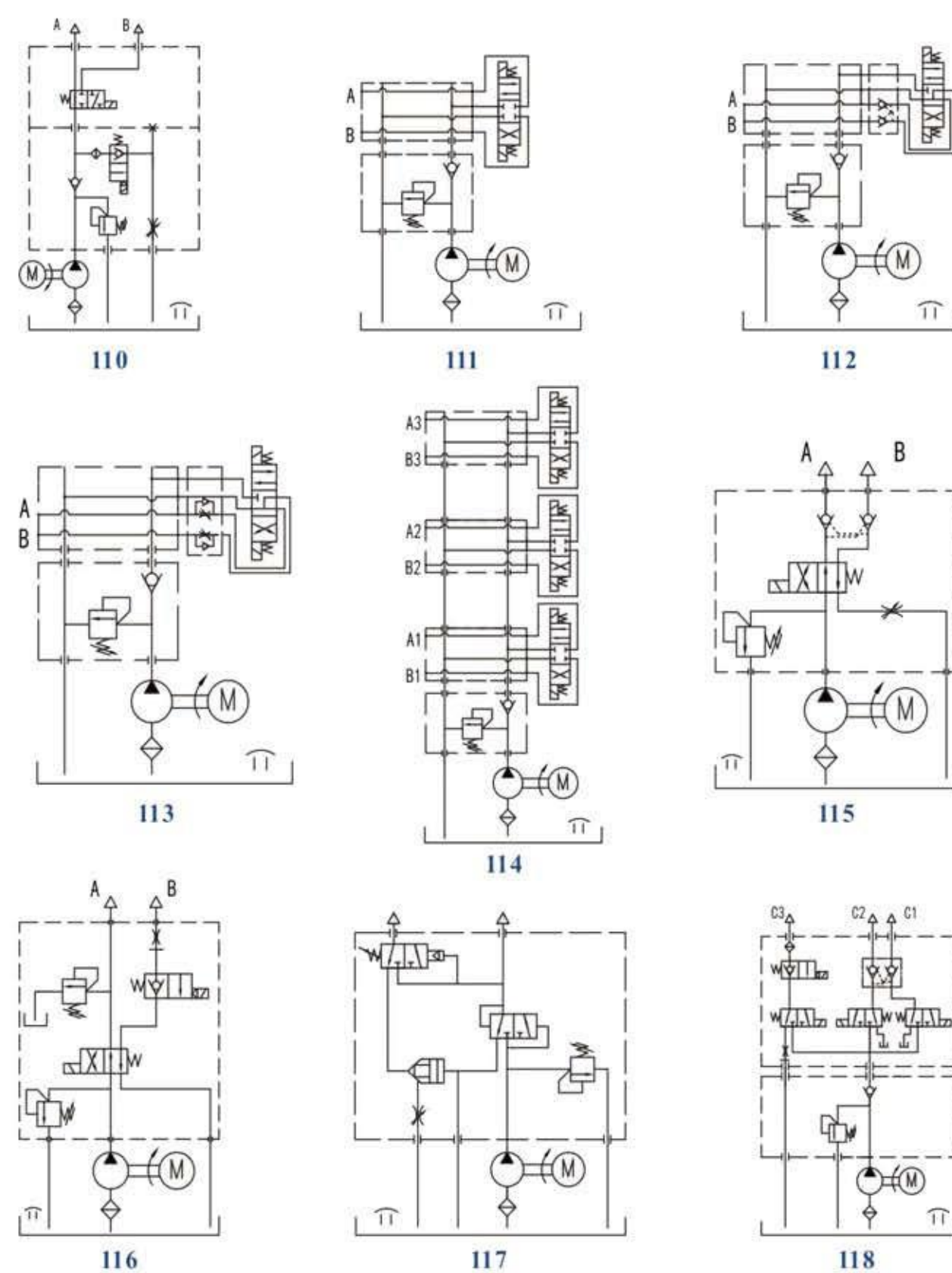




# Hydraulic Circuit

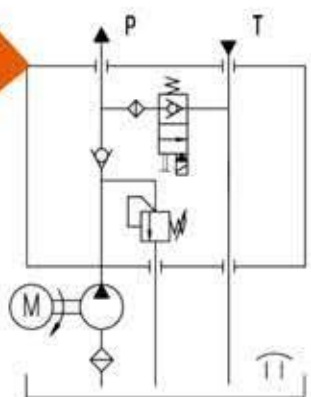


# Hydraulic Circuit

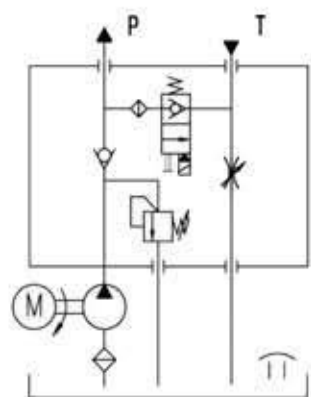




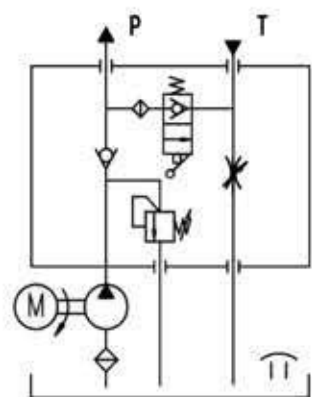
## Hydraulic Circuit



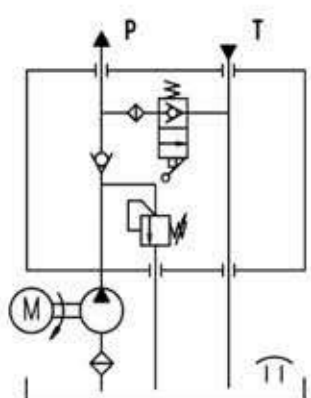
108-A



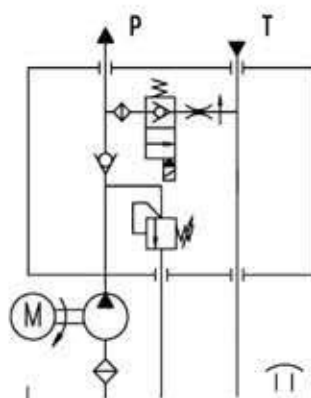
108-B



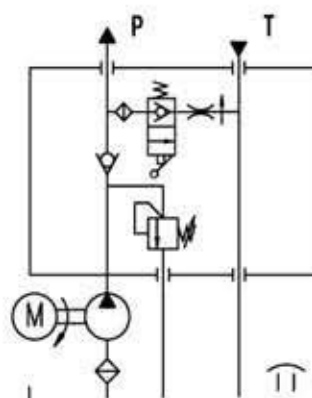
108-C



108-D

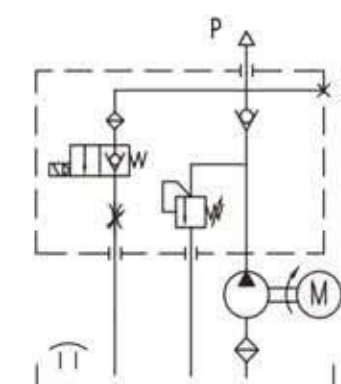
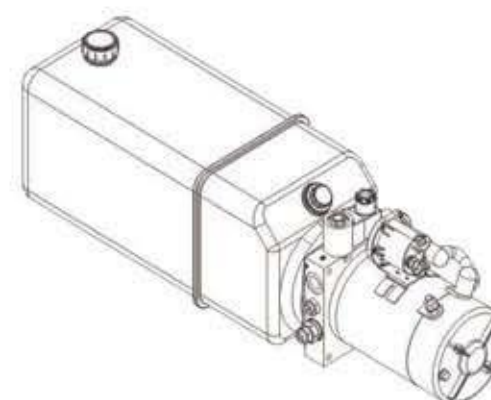
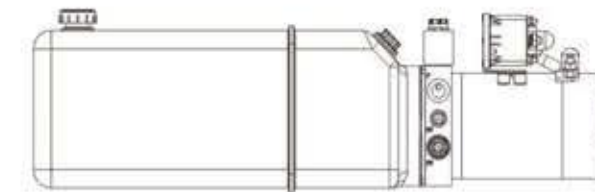
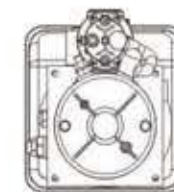


108-E

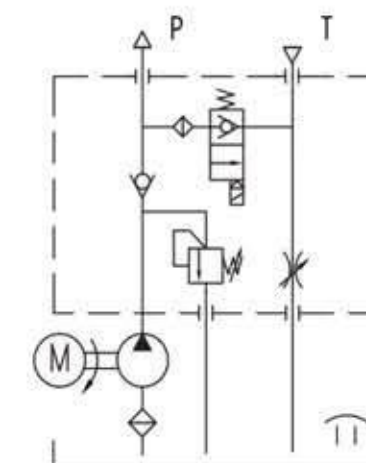
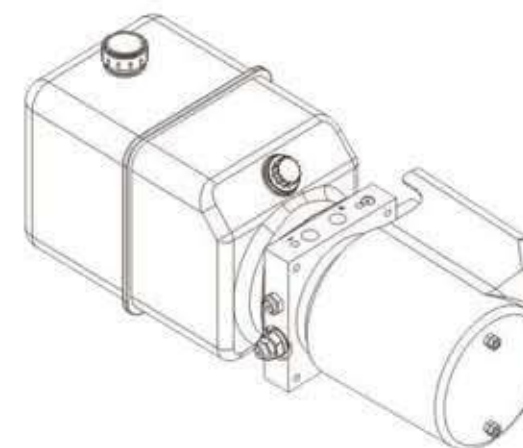
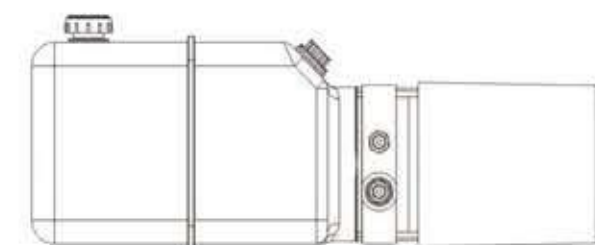
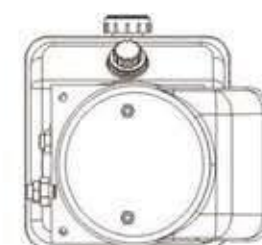


108-F

## Hydraulic Power Unit



101

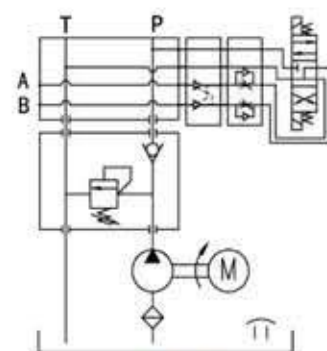
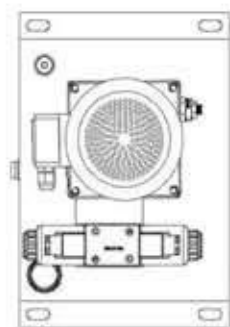
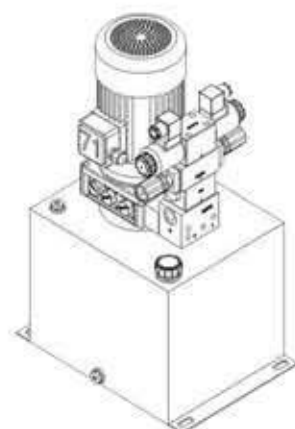
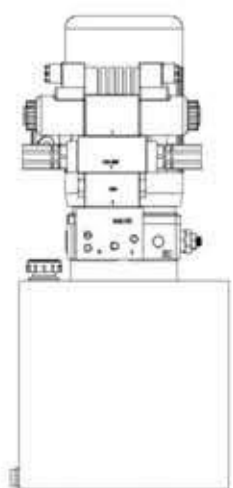


108

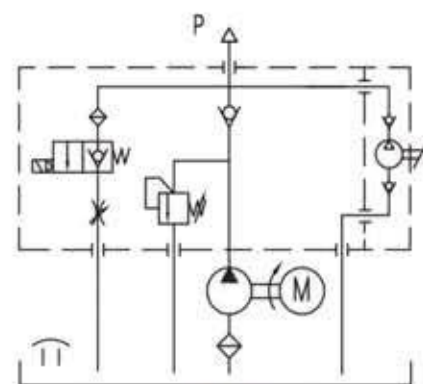
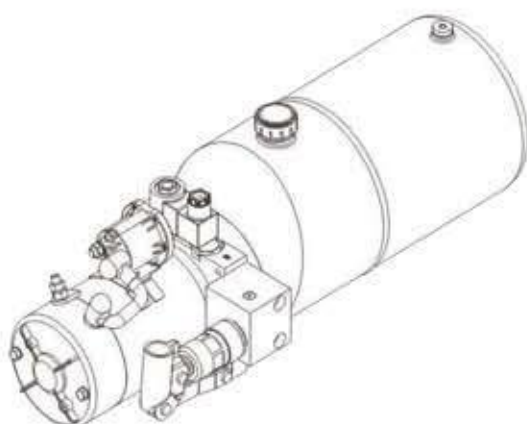
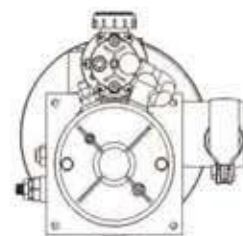
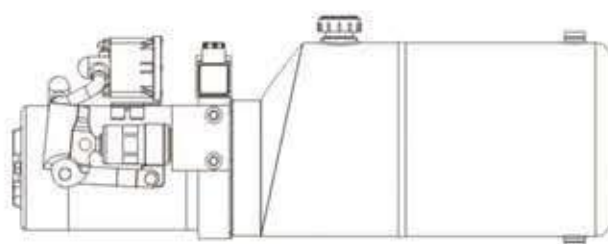




## Hydraulic Power Unit

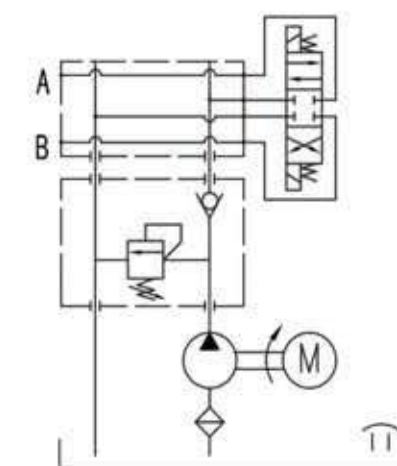
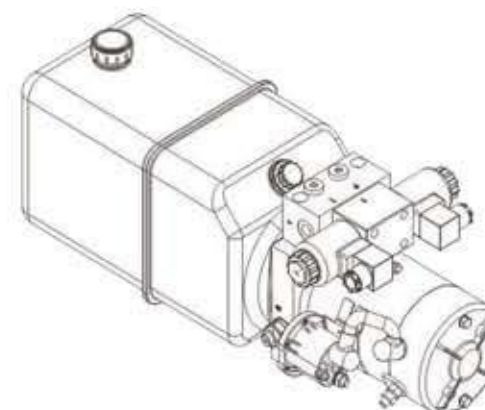
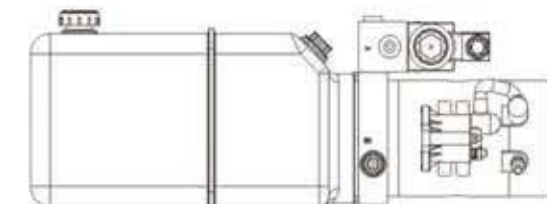
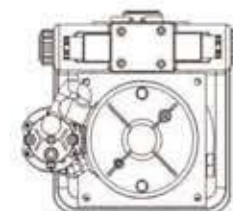


113-A

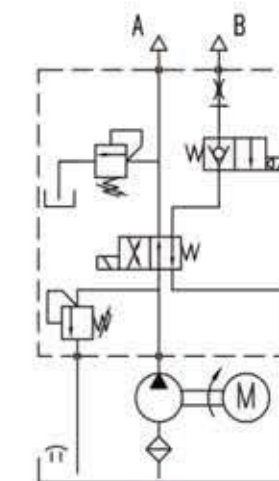
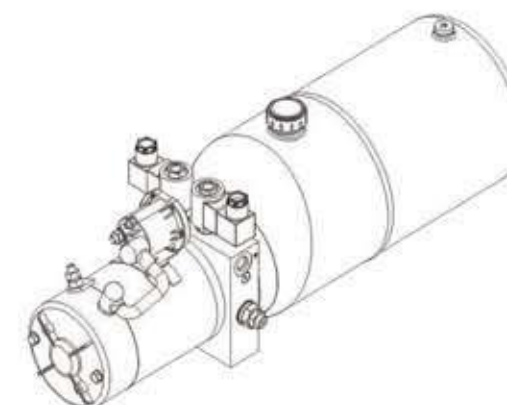
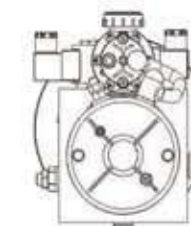
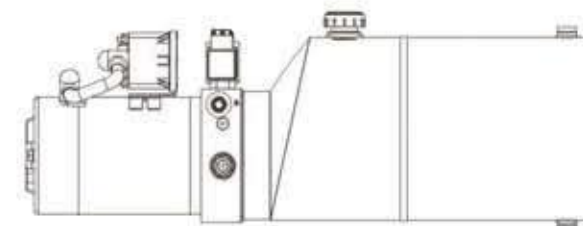


103

## Hydraulic Power Unit



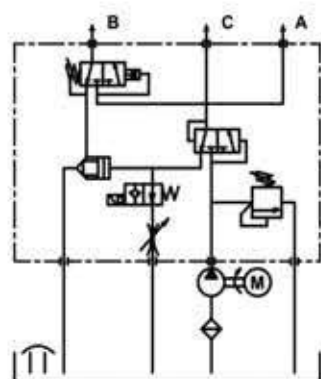
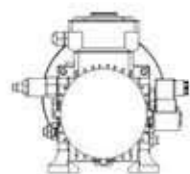
111



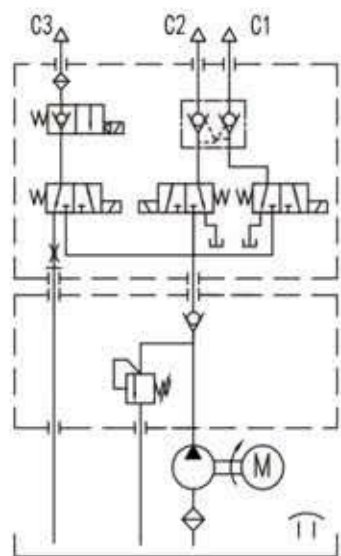
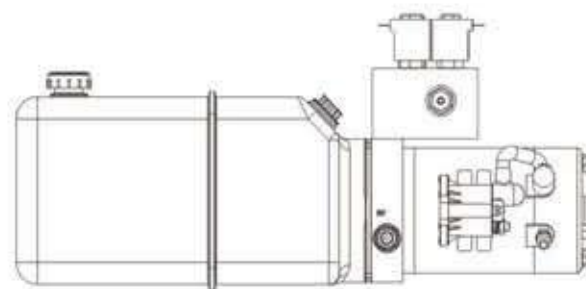
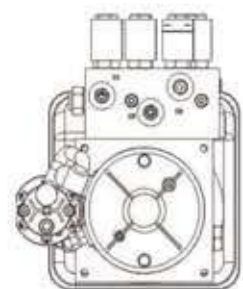
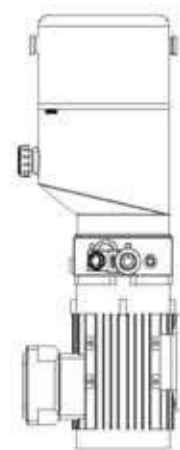
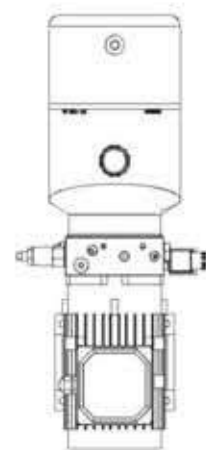
116



# Hydraulic Power Unit



Dock Leveller



118

