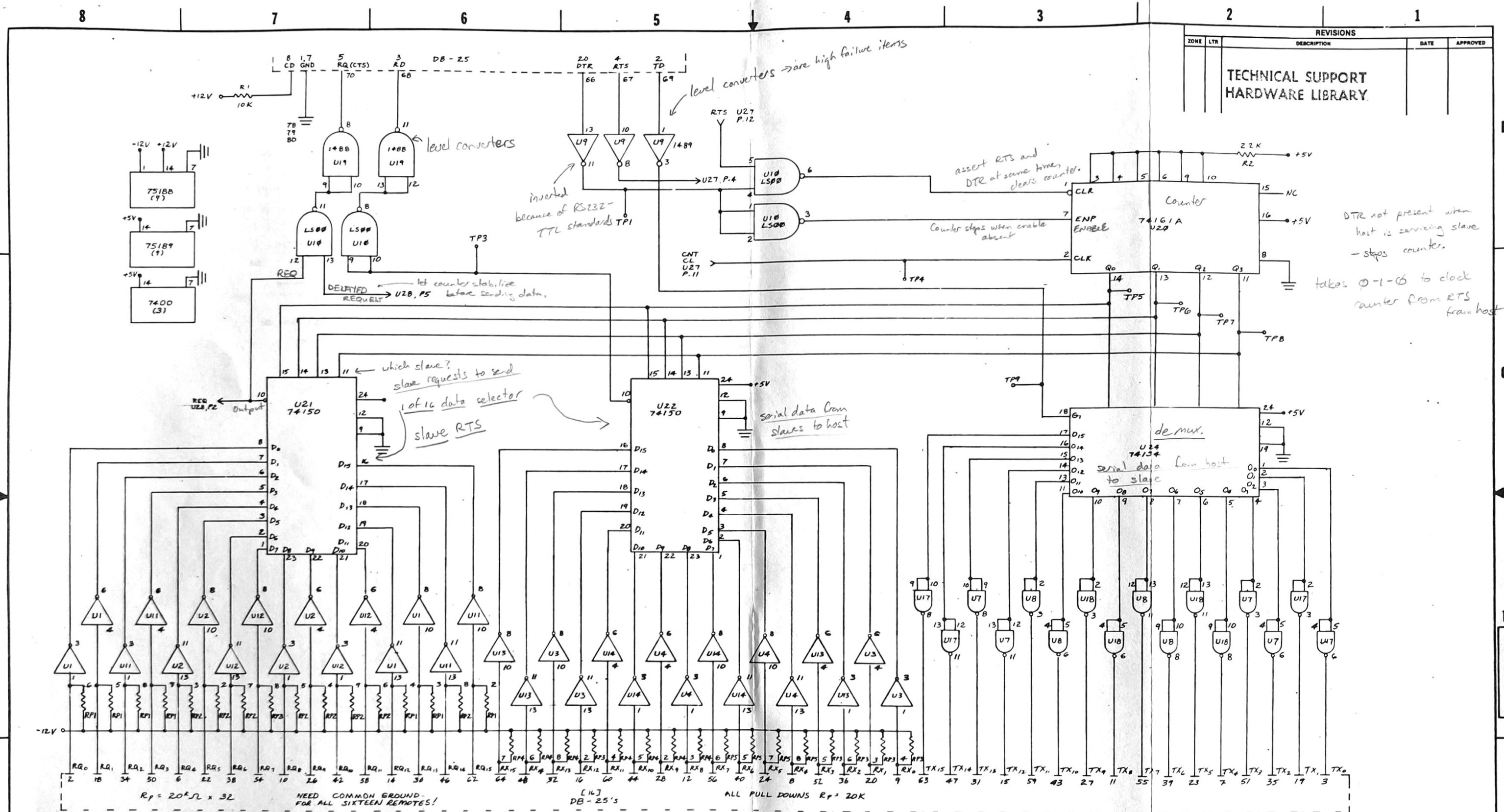


REVISIONS				
ZONE	LTR	DESCRIPTION	DATE	APPROVED
TECHNICAL SUPPORT HARDWARE LIBRARY				



DTR not present when host is carrying slave - stops counter.

takes $\phi-1-0$ to clock counter from RTS from host

$R_f = 20k\Omega \times 32$

NEED COMMON GROUND FOR ALL SIXTEEN REMOTES!

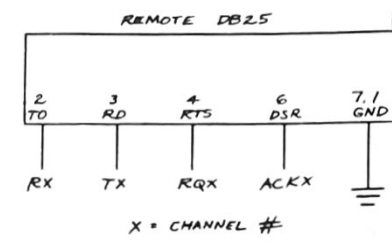
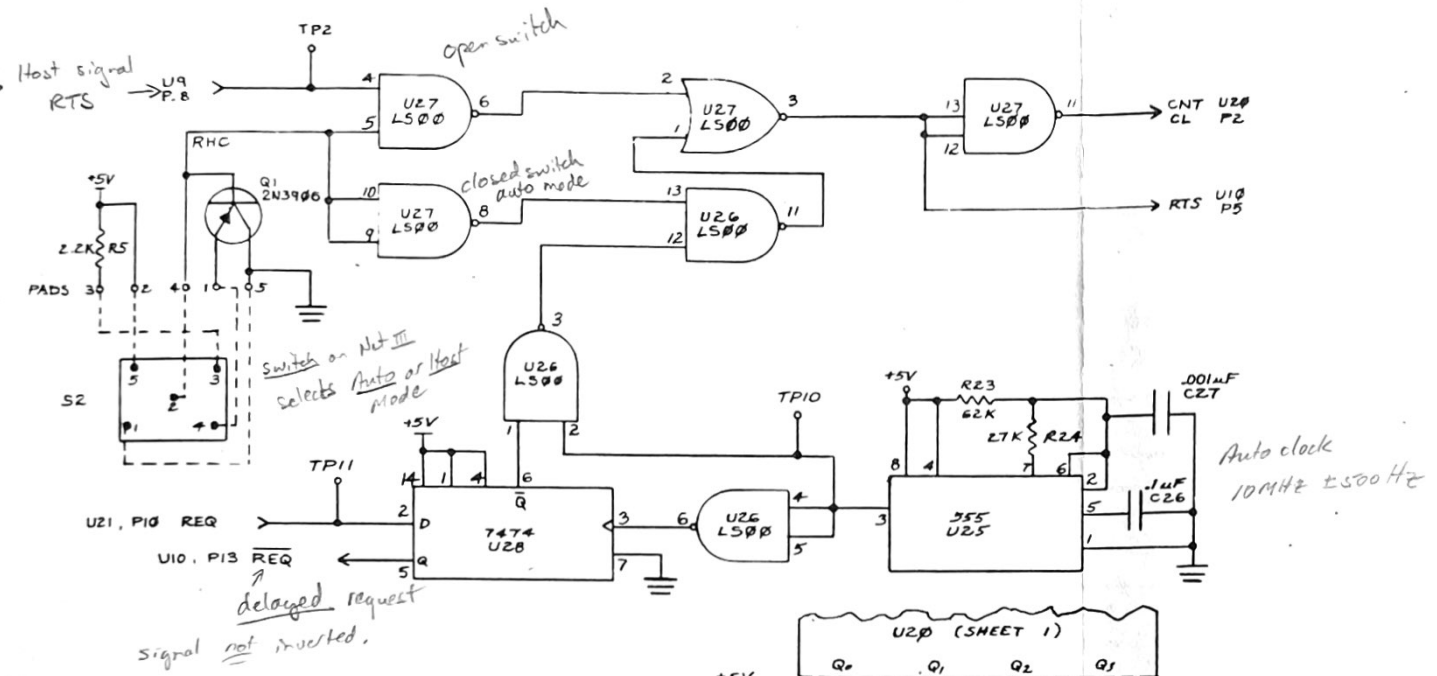
[16] DB-25'S

ALL PULL DOWNS $R_p = 20K$

UNLESS OTHERWISE SPECIFIED DIMENSIONS ARE IN INCHES TOLERANCES: FRACTIONAL $\pm 1/64$ ANGLES $\pm 1^\circ$ TWO PLACE DECIMAL $\pm .005$ THREE PLACE DECIMAL $\pm .0005$ DO NOT SCALE THIS DRAWING		DRAWN: T. CASTELLON CHECKED: [] DESIGN ENGINEER: [] PROJECT ENGINEER: [] CHECK ENGINEER: [] MANUFACTURING: [] GENERAL MANAGER: []	DATE: 7-6 DATE: [] DATE: [] DATE: [] DATE: [] DATE: []	tandy SYSTEMS DESIGN 2725 West Seventh Street Fort Worth, Texas 76107 TITLE: NETWORK III CONTROLLER SIZE: DRAWING NO. 8000121 SHEET 1 OF 2
#400 NEXT ASSEMBLY: [] USED ON: [] APPLICATION: []				

REVISIONS			
ZONE	LTR	DESCRIPTION	DATE
		TECHNICAL SUPPORT HARDWARE LIBRARY.	

From HOST
software toggle
to select slave



Counter tells which slave to access

① Host may software control counter

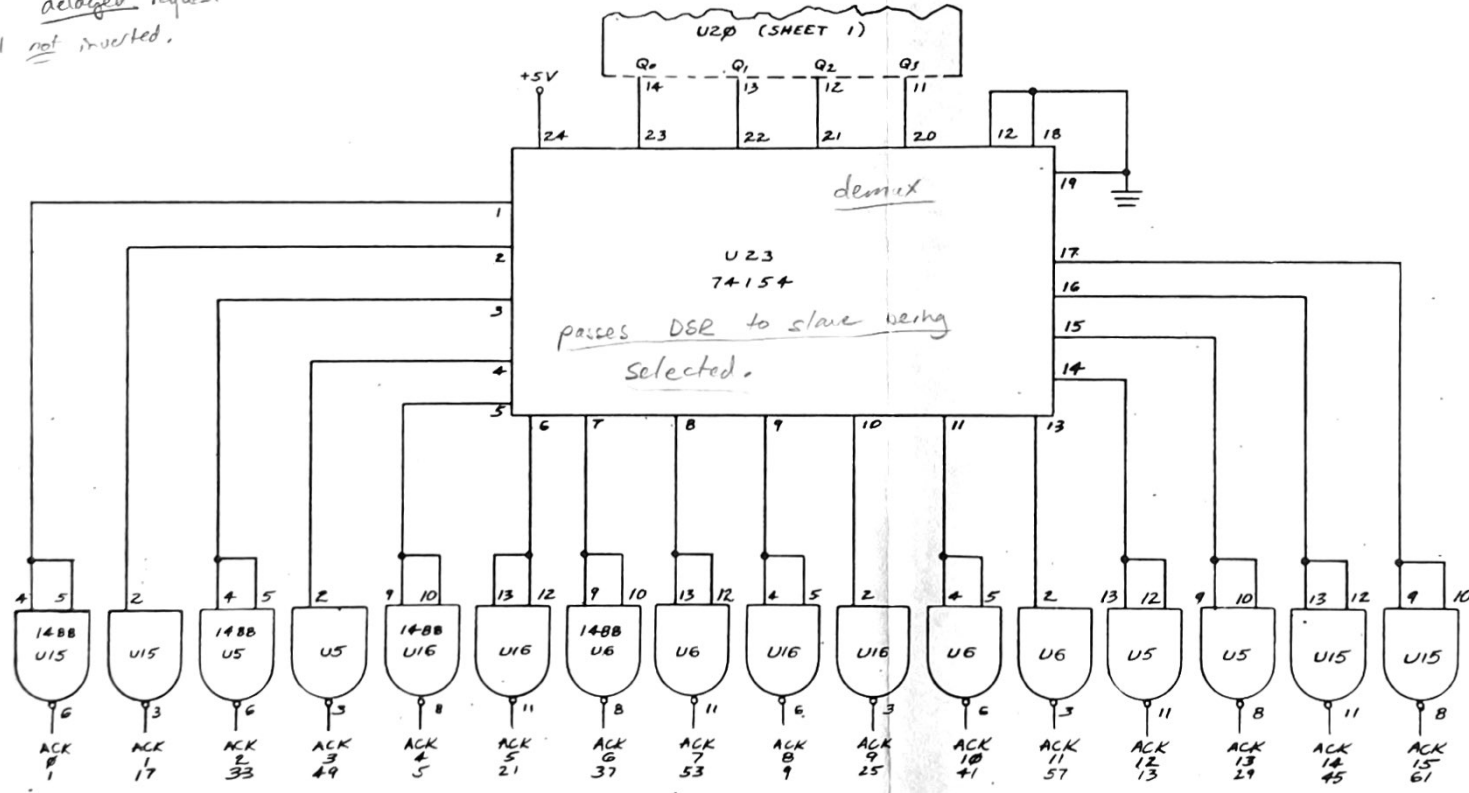
② Auto clock may clock counter but is not supported.

full duplex

- 9600 baud
- max cable length 100 ft between slave and Not III

- mod I - use term on case term switch on RS 727 board

- P ground & S ground tied together on DB25



UNLESS OTHERWISE SPECIFIED DIMENSIONS ARE IN INCHES TOLERANCES: FRACTIONAL ± 1/64 ANGLES ± 1° TWO PLACE DECIMAL ± .010 THREE PLACE DECIMAL ± .005 DO NOT SCALE THIS DRAWING		DRAWN: <i>Tom Costello</i> DATE: 7/1/81 CHECKED: DATE: DESIGN ENGINEER: DATE: PROJECT ENGINEER: <i>Hammond D. ...</i> DATE: CHIEF ENGINEER: DATE: MANUFACTURING: DATE: GENERAL MANAGER: DATE:	tandy SYSTEMS DESIGN 2725 West Seventh Street Fort Worth, Texas 76107 TITLE: NETWORK III. CONTROLLER SIZE: D DRAWING NO: 8000121 SCALE: SHEET 2 OF 2
APPLICATION: #400	MATERIAL:		