

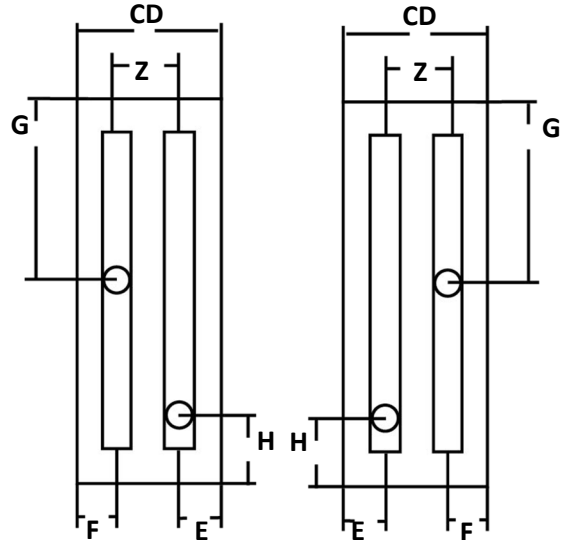
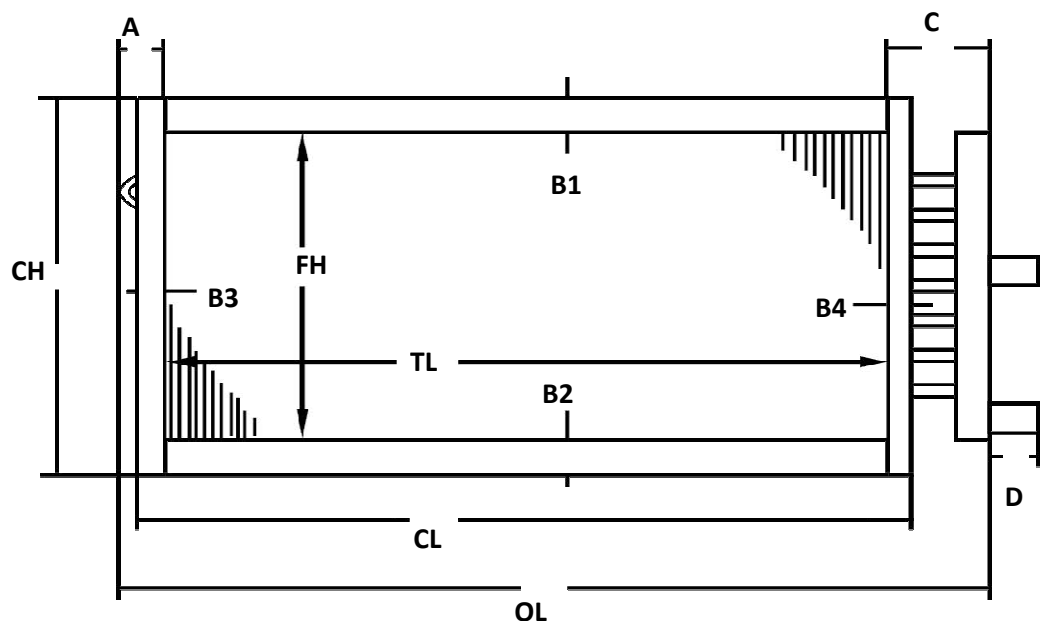
Name:	OEM Unit Model #
Company:	OEM Coil Model #
Phone:	Project:
Email:	Tag:

Standard Steam Coil

Ph: (704) 545-3922
info@suncocoils.com
www.suncocoils.com



Coil Dimensions and Specifications: Please include detail photos of the coils and header sections, if possible



****Circle Header End Matching Your Coil****

Header Material:	
<input type="checkbox"/> Copper	
<input type="checkbox"/> Other _____	
# Feeds to Header _____	
Flange Type:	
<input type="checkbox"/> Non-Stacking	<input type="checkbox"/>
<input type="checkbox"/> Stacking	<input type="checkbox"/>
<input type="checkbox"/> Inverted Flange	
*Casing Material: (check one)	
<input type="checkbox"/> Galv Steel 16 ga	
<input type="checkbox"/> Stainless Steel 16 ga	

*Rows	*FPI	*FH	*TL	CH	CL	CD	OL	A	B1	B2	B3	B4	C	D	E	F	G	H	Z

* Asterisk = minimum required for price

Notes:

* COPPER TUBE TUBE FIN O.D. Thick Thick <input type="checkbox"/> 5/8" .025 .006 Other _____	*Fin Material: <input type="checkbox"/> Aluminum (std) <input type="checkbox"/> Copper	Connection Size: Supply _____ Return _____
	Connection Material: <input type="checkbox"/> Copper <input type="checkbox"/> Steel <input type="checkbox"/> Red Brass	Connection Type: <input type="checkbox"/> MPT <input type="checkbox"/> FPT <input type="checkbox"/>