

Project #: _____

Item #: _____

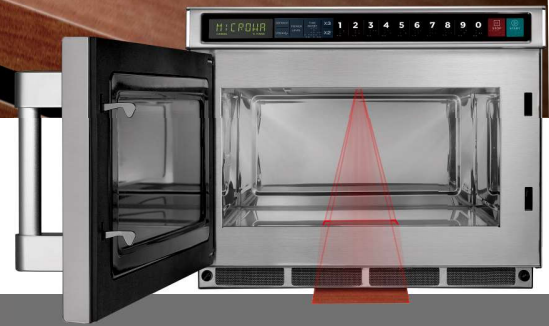


FLASHCHEF™ SCAN&GO™ MICROWAVE

1217G1S



SCAN&GO™ MICROWAVE



Super Consistent & Professional Cooking

- + 1200 Watts of power with top and bottom energy feed, get your food ready in a **FLASH!**
- + 11 power levels and 3 cooking stages for different cooking demands.
- + 100 auto menus and up to 1 hour of cooking time, covering most recipes.
900 barcode menus ensure ultimate flexibility for customized cooking demands.

Super Durable & Reliable Use

- + Large capacity (0.6 cu.ft./17L) with oven cavity light, monitoring cooking status clearly.
- + Stainless steel body and cavity, withstanding the demands of a commercial environment.
- + Grab n'Go door handle with no moving part, extending life span.

Super Easy & Handy Operation

- + Build-in scanner for ultimate ease of cooking setup, even for self-service locations.
- + Laser scanner and USB port for effortless and consistent menu customization.
- + Removable splatter shield and air intake filter for easy cleaning and maintenance.

Super Efficient Management With **FlashTune**

* Function varies on different models/products. More functions are on the way with continuous update.

The secret of efficiency lies in the QR codes or program file generated by the tailor-made software **FlashTune**, with which you can:

- + Add, edit or delete built-in auto menus.
- + Edit stage cooking process intuitively with clear visual guidance.
- + Setup the machine directly on PC/Mac instead of scrolling around on the display of the machine.

Project #: _____

Item #: _____



SCAN&GO™ MICROWAVE

FLASHCHEF™
PROFESSIONAL KITCHEN SERIES

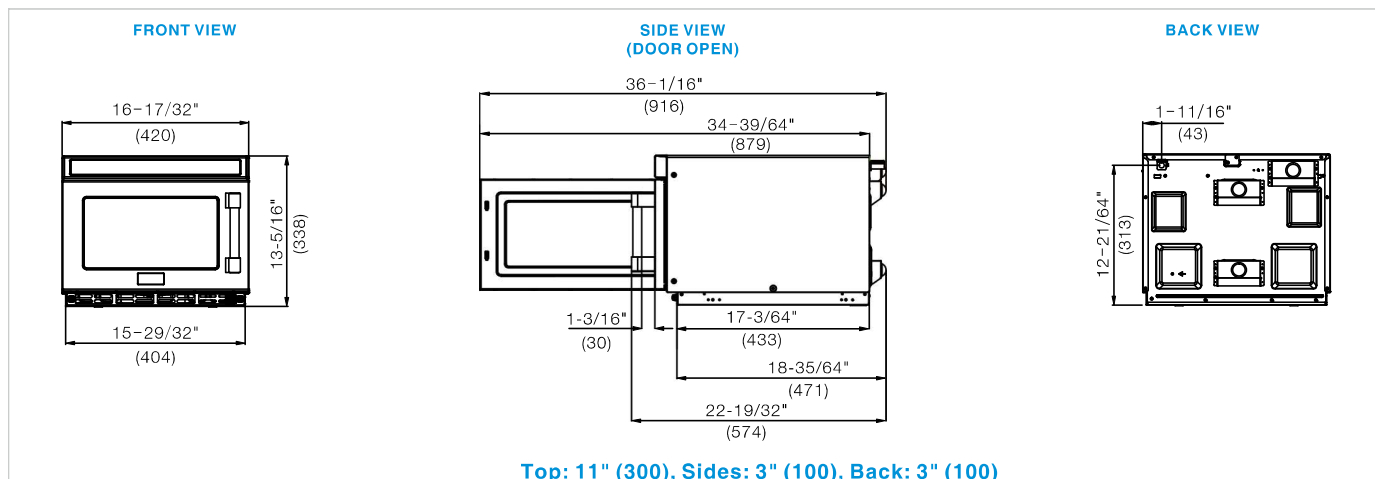
Midea FlashChef™, an exclusive lineup of professional cooking appliances that focuses on the needs of commercial environments : efficiency, simplicity and durability. Compared to ordinary cooking appliances, FlashChef™ offers remarkable performance contributed to our devoted effort on research & development of high-standard platform specially designed for commercial situations. From convenience stores, office pantries or café, to commercial kitchens, chain stores or stadiums, FlashChef™ will surely meet and surpass your high expectations with its ultra-efficient performance, effortless operation and impressive durability.

Specifications

Dimensions	
Cavity size	0.6 cu.ft (17 Liters)
Cavity Dimension(WxDxH)	330 mm x 310 mm x 175 mm (13" x 12 1/4" x 6 7/8")
Gross Dimension(WxDxH)	420 mm x 563 mm x 340 mm (16 1/2" x 22 1/8" x 13 3/8")
Inside Package Dimension(WxDxH)	640 mm x 507 mm x 416 mm (25 1/4" x 20" x 16 3/8")
Outer Package Dimension(WxDxH)	655 mm x 522 mm x 444 mm (25 3/4" x 20 1/2" x 17 1/2")
Ship Weight (approx)	32 kg (70.5 lb)
Product Weight	30 kg (66.1lb)
Door Depth	"36-1/16"" (916), 901+ door open"
Exterior Finish	Stainless steel
Interior Finish	Stainless steel
No Turnable	Yes
Interior Light	Yes, LED
Loading Capacity (20" / 40" / 40" HD)	185 / 380 / 456
Electrical specifications	
Power Consumption	2000 W
Power Output	1200 W
Power Source	120V, 60 Hz, 20 A single phase
Plug Configuration	NEMA 5-20P
Plug Cord	5 ft. (1.5m)
Plug Image	
Frequency	2450 MHZ

Technical specifications	
Filter Board	Yes
Settings Programmable	1000 (100 Auto Menus and 900 Barcode Menus)
Power Levels	11
Stage Cooking	3
Control Type	Membrane Touch
Defrost by Time	Yes
Time Entry Option	Yes
Max. Cooking Time	60:00
Multiple Portion Setting	Yes, X3
Express cook	Yes
Cooking End Signal	Yes
Magnetron Protection	Yes
Magnetrons	2
Category	Heavy-duty
Microwave Distribution	Double rotating antenna, top and bottom
Braille	Yes
Stackable installation	Yes, 2
Safety Listing	
Safety Listing	UL+CUL+FCC+ETL SANITATION

Installation Clearances



Warranty Service

3 Year Limited Warranty: 3 year Magnetron and 1 Year Parts, Labor and Travel/Shipping.

Support Center

Midea Food Service Equipment Service Support Center, 1-855-238-5604 or USService_Microwave@midea.com.

