

Project #: _____

Item #: _____



Heavy Duty Commercial Microwave Oven



Model 1817G1A

Features

- Large capacity (0,6 cu.ft / 17 L), accommodates a 12" (305 mm) platter.
- Able to withstand the demands of the Commercial Food Service environment with stainless steel cabinet and oven cavity.
- 1800 Watts of Cooking power.
- Top and Bottom Energy Feed.
- 11 power levels and 3 cooking stages for different cooking demands.
- 60:00 maximum cooking time and 100 auto programs can cover most product demands.
- Chef/Test Kitchen Support.
- User-friendly touch control pads with braille navigation is great for self-service locations and is ADA Compliant.
- Time entry option and X2 & X3 multiple quantity pad provide flexible operation.
- USB port for easy and consistent menu customization for multiple (chain) locations.
- Removable Splatter Shield and Stainless Steel Air Intake filter for easy cleaning.
- Oven cavity light to monitor cooking status without opening the door.
- EZ Grab'n Go door handle for reliable use, no moving parts.
- Stackable.
- Selectable 208 or 230/240V operation (1Ph 20Amp).

Applications

+ Chain Restaurants + Healthcare + Schools + Vending + Convenience Stores + Corrections and Marine



Project #: _____

Item #: _____

Model 1817G1A

Heavy Duty
Commercial Microwave Oven

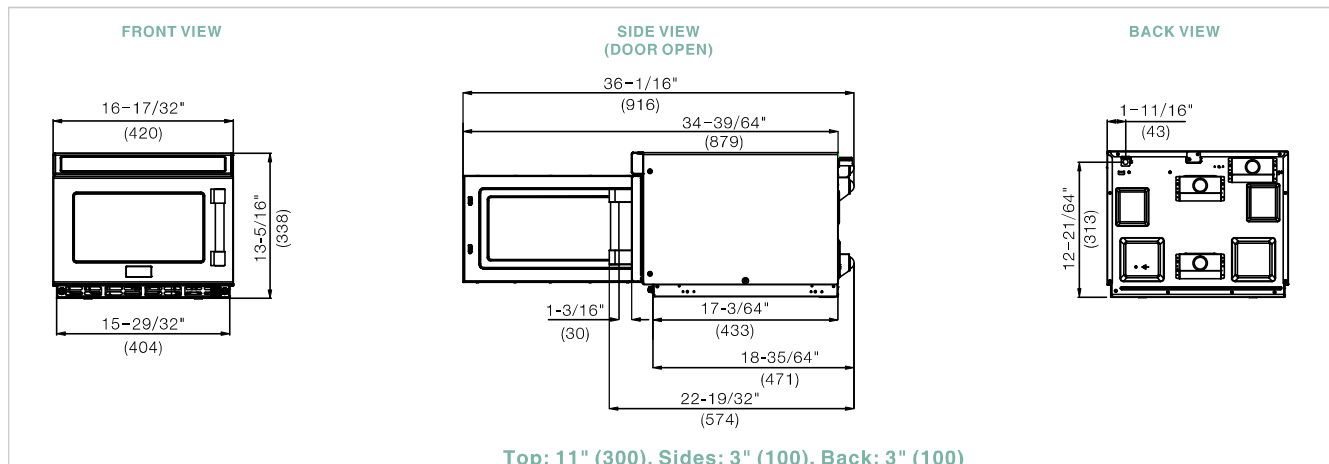
Heavy duty commercial microwave from Midea shall have user-friendly touch pads with braille navigation. Oven shall be programmed up to 100 auto items with 60:00 maximum cooking time for each. Oven shall have 11 power levels and 3 cooking stages. There shall have time entry option and X2 & X3 multiple quantity pad provided flexible choice. Unit will have a USB port for easy and consistent menu customization for multiple (chain) locations. LED display and end of cycle beep. Microwave output shall be 1800 Watts distributed by dual magnetrons with a top and bottom rotating antennas. An interior light shall make the food easy to monitor without opening the door. Oven will be supplied with a Cleanable Stainless Steel Air Intake Filter and Ability to be stacked with the same style Oven. A Cleanable Ceiling Splatter Shield is Included. Oven will have selectable 208 or 230/240Volt supply and require a 1Ph, 20Amp outlet. The Large capacity 0,6 cubic ft. (17 liter) cavity shall accommodate a 12" (305 mm) platter or 6" tall H or X pan with cover, Durable door shall have an EZ Grab and Go handle with a 90° + opening for easy access. Oven shall have a stainless steel exterior wrap, door, and interior cavity, Chef/Test Kitchen Support. Microwave oven shall be listed by UL, CUL and ETL SANITATION.

Specifications

| Dimensions | |
|---------------------------------------|--|
| Cavity size | 0.6 cu.ft (17 Liters) |
| Cavity Dimension(WxDxH) | 330 mm x 310 mm x 175 mm (13" x 12 1/4" x 6 7/8") |
| Gross Dimension(WxDxH) | 420 mm x 563 mm x 340 mm (16 1/2" x 22 1/8" x 13 3/8") |
| Inside Package Dimension(WxDxH) | 640 mm x 507 mm x 416 mm (25 1/4" x 20" x 16 3/8") |
| Outer Package Dimension(WxDxH) | 655 mm x 522 mm x 444 mm (25 3/4" x 20 1/2" x 17 1/2") |
| Ship Weight (approx) | 32 kg (70.5 lb) |
| Product Weight | 30 kg (66.1 lb) |
| Door Depth | "36-1/16"" (916), 90°+ door open" |
| Exterior Finish | Stainless steel |
| Interior Finish | Stainless steel |
| No Turnable | Yes |
| Interior Light | Yes, LED |
| Loading Capacity (20" / 40" / 40" HD) | 185 / 380 / 456 |
| Electrical specifications | |
| Power Consumption | 2800 W |
| Power Output | 1800 W |
| Power Source | 208 V / 230 V, 60 Hz, 18 A Single-phase |
| Plug Configuration | NEMA 6-20P |
| Plug Cord | 5 ft. (1.5m) |
| Plug Image | |
| Frequency | 2450 MHZ |

| Technical specifications | |
|--------------------------|---|
| Filter Board | Yes |
| Settings Programmable | 100 |
| Power Levels | 11 |
| Stage Cooking | 3 |
| Control Type | Membrane Touch |
| Defrost by Time | Yes |
| Time Entry Option | Yes |
| Max. Cooking Time | 00:60:00 |
| Multiple Portion Setting | Yes, X3 |
| Express cook | Yes |
| Cooking End Signal | Yes |
| Magnetron Protection | Yes |
| Magnetrons | 2 |
| Function type | Heavy-duty |
| Microwave Distribution | Double rotating antenna, top and bottom |
| Braille | Yes |
| Stackable installation | YES, 2 |
| Safety Listing | |
| Safety Listing | UL+CUL+FCC+ETL SANITATION |
| | |

Installation Clearances



Warranty Service

3 Year Limited Warranty: 3 year Magnetron and 1 Year Parts, Labor and Travel/Shipping.

Support Center

Midea Food Service Equipment Service Support Center, 1-855-238-5604 or USService_Microwave@midea.com.

