

Project #: \_\_\_\_\_

Item #: \_\_\_\_\_



# Heavy Duty Commercial Microwave Oven



## Model 1834G1A

### Features

- Large capacity (1.2 cu.ft / 34 L), accommodates a 14" (356 mm) platter.
- Able to withstand the demands of the Commercial Food Service environment with stainless steel cabinet and oven cavity.
- 1800 Watts of Cooking power.
- Top and Bottom Energy Feed.
- Cleanable Ceiling Splatter Shield.
- 5 power levels and 3 cooking stages for different cooking demands.
- 60:00 maximum cooking time and 100 auto programs can cover most product demands.
- Chef/Test Kitchen Support.
- User-friendly touch control pads with braille navigation is great for self-service locations and is ADA Compliant.
- Time entry option and X2 multiple quantity pad provide manual operation and cooking of multiple portions.
- Oven cavity light to monitor cooking status without opening the door.
- EZ Grab'n Go door handle for reliable use, no moving parts.
- Cleanable Stainless Steel Air Filter.
- Stackable.
- Selectable 208 or 230/240V operation (1Ph 20Amp).

### Applications

+ Chain Restaurants + Healthcare + Schools + Vending + Convenience Stores + Corrections and Marine



Project #: \_\_\_\_\_

Item #: \_\_\_\_\_

# Model 1834G1A

## Heavy Duty Commercial Microwave Oven

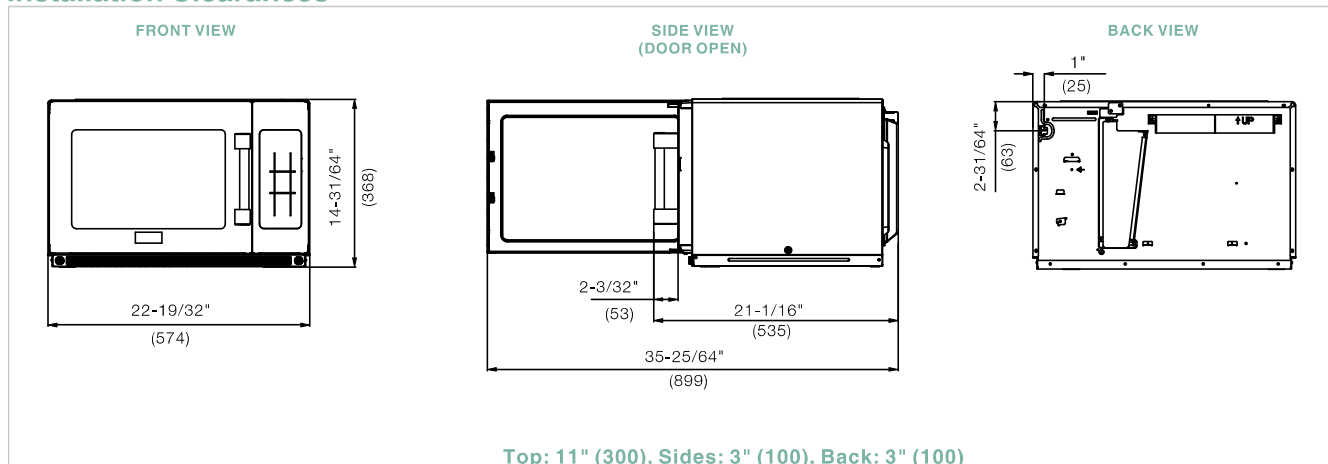
Heavy duty commercial microwave from Midea shall have user-friendly touch pads with braille navigation. Oven shall be programmed up to 100 auto items with 60:00 maximum cooking time for each. Oven shall have 5 power levels and 3 cooking stages. There shall have time entry option and X2 multiple quantity pad for flexible Operation. LED display and end of cycle beep. Microwave output shall be 1800 Watts distributed by dual magnetrons with a top and bottom rotating antennas. An interior light shall make the food easy to monitor without opening the door. Oven will be supplied with a Cleanable Stainless Steel Air Intake Filter and Ability to be stacked with the same style Oven. A Cleanable Ceiling Splatter Shield is Included. Oven will have selectable 208 or 230/240Volt supply and require a 1Ph, 20Amp outlet. The Large capacity 1,2 cubic ft, (34 liter) cavity shall accommodates a 14" (356 mm) platter or 6" tall H or X pan with cover. Durable door shall have an EZ Grab and Go handle with a 90° + opening for easy access. Oven shall have a stainless steel exterior wrap, door, and interior cavity. Chef/Test Kitchen Support. Microwave oven shall be listed by UL, CUL and ETL SANITATION.

### Specifications

Dimensions	
Cavity size	1.2 cu.ft (34 Liters)
Cavity Dimension(WxDxH)	360 mm x 409 mm x 225 mm (14 1/8" x 16 1/8" x 8 7/8")
Gross Dimension(WxDxH)	574 mm x 528 mm x 368 mm (22 5/8" x 20 3/4" x 14 1/2")
Inside Package Dimension(WxDxH)	641 mm x 559 mm x 451 mm (25 1/4" x 22" x 17 3/4")
Outer Package Dimension(WxDxH)	649 mm x 567 mm x 464 mm (25 1/2" x 22 3/8" x 18 1/4")
Ship Weight (approx)	34.3 kg (75.6 lb)
Product Weight	32.2 kg (71.0 lb)
Door Depth	"35-25/64"" (899), 90°+ door open"
Exterior Finish	Stainless steel
Interior Finish	Stainless steel
No Turnable	Yes
Interior Light	Yes, Incandescent
Loading Capacity (20" / 40" / 40" HD)	180 / 360 / 360
Electrical specifications	
Power Consumption	2800 W
Power Output	1800 W
Power Source	208 V / 230 V, 60 Hz, 18 A Single-phase
Plug Configuration	NEMA 6-20P
Plug Cord	5 ft. (1.5m)
Plug Image	
Frequency	2450 MHZ

Technical specifications	
Filter Board	Yes
Settings Programmable	100
Power Levels	5
Stage Cooking	3
Control Type	Membrane Touch
Defrost by Time	Yes
Time Entry Option	Yes
Max. Cooking Time	00:60:00
Multiple Portion Setting	Yes, X2
Express cook	Yes
Cooking End Signal	Yes
Magnetron Protection	Yes
Magnetrons	2
Function type	Heavy-duty
Microwave Distribution	Double rotating antenna, top and bottom
Braille	Yes
Stackable installation	YES, 2
Safety Listing	
Safety Listing	UL+CUL+FCC+ETL SANITATION

### Installation Clearances



### Warranty Service

3 Year Limited Warranty: 3 year Magnetron and 1 Year Parts, Labor and Travel/Shipping.

### Support Center

Midea Food Service Equipment Service Support Center, 1-855-238-5604 or USService\_Microwave@midea.com.

