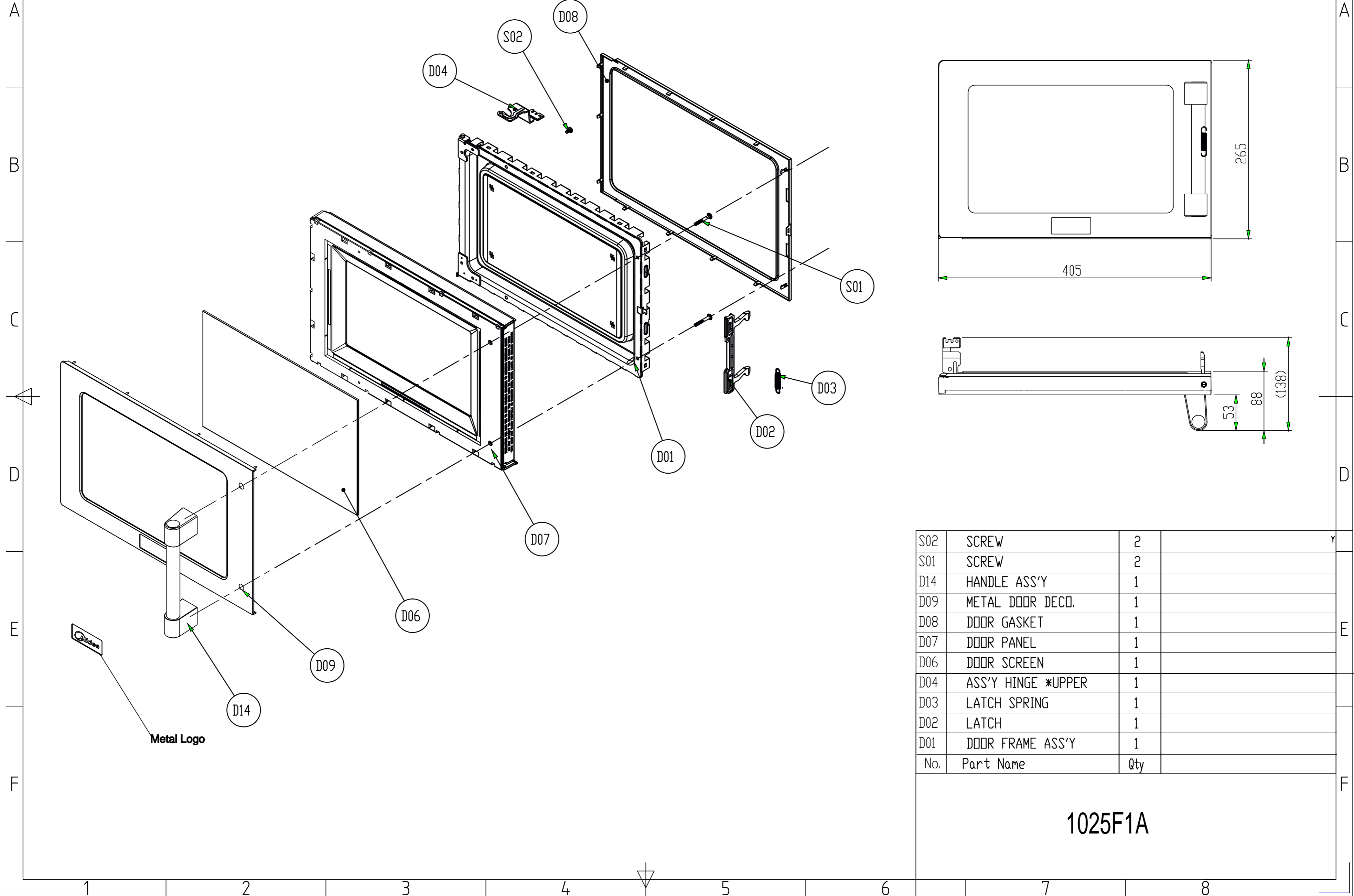


C50	SEALING RING	1	
C18	PCB	1	
C17	MEMBRANE SWITCH	1	
C02	PLASTIC DECD. C/PANEL	1	
C01	CONTROL PANEL	1	
No.	Part Name	Qty.	

1025F1A

图号 AM025FSMA02



S02	SCREW	2	
S01	SCREW	2	
D14	HANDLE ASS'Y	1	
D09	METAL DOOR DECO.	1	
D08	DOOR GASKET	1	
D07	DOOR PANEL	1	
D06	DOOR SCREEN	1	
D04	ASS'Y HINGE *UPPER	1	
D03	LATCH SPRING	1	
D02	LATCH	1	
D01	DOOR FRAME ASS'Y	1	
No.	Part Name	Qty	

1025F1A