

IC 2
N 0
A 1
R 8

INNOVATIVE
ARCHITECTURE
best of best

Creative ceilings for creative minds

OWAconsult collection

OWA

OWAconsult collection

BY HADI TEHERANI



6 | Flexo



8 | Pix



10 | Oriental



12 | Trapeze



14 | Square



16 | Cloud



18 | Corpus



20 | OWAlight

OWAconsult collection



24 | Unique



26 | RAW



28 | Bamboo



32 | Opus



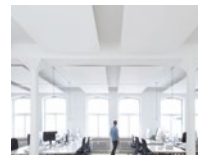
34 | Creaprint



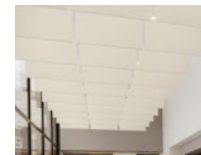
36 | Canto



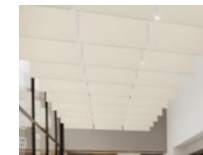
38 | Curve



40 | Selecta



44 | FreeStyle baffles – Wire suspension



46 | FreeStyle baffles – with System S 3



48 | FreeStyle wall absorber



Creative ceilings for creative minds

OWAconsult collection

BY HADI TEHERANI

"More creativity and freedom of thought when designing a ceiling", that was the objective of our collaboration with the renowned international architect and product designer Hadi Teherani. With the fusion of intuitive design, the latest LED lighting technology and our manufacturing expertise, we have created an exciting range that transcends the visual expectations of a "normal" suspended ceiling. Combine these exciting designs with integration of services, sound absorption, fire resistance, sound attenuation and humidity resistance, the performance characteristics you would expect from OWA, and you arrive at "OWAconsult collection". To ensure a trouble free installation you can also call on the help of our OWAconsult specialists who are there to provide assistance every step of the way through your project, from design to completion, from concept to reality.



Creative shapes and sizes

Flexo

The attractive, minimalistic appearance of Flexo is available in four module options, 600 x 600 mm, 1200 x 300 mm, 1200 x 600 mm and 1200 x 1200 mm. Installed as a single or multiple module design, Flexo can be combined with energy efficient Flexo LED lights to provide the designer with the freedom to create a ceiling and lighting solution for most interior spaces.



Flexo



Flexo 1



Flexo 2



Flexo 3

Flexo – mineral tiles

All edges 15

	Length	Width	Thickness	Part no.	Units/pack	α_w /NRC	Del. Cat.
Flexo 1	600 mm	600 mm	15 mm	00068084	10	0.85	D
Flexo 2	1200 mm	300 mm	15 mm	00068085	10	0.85	D
Flexo 3	1200 mm	600 mm	15 mm	00073869	10	0.85	D

Flexo 1-3 is also available in edge 15b (without extra costs). Thereto, please use the system S 15b OWAline (limited combination possibilities).

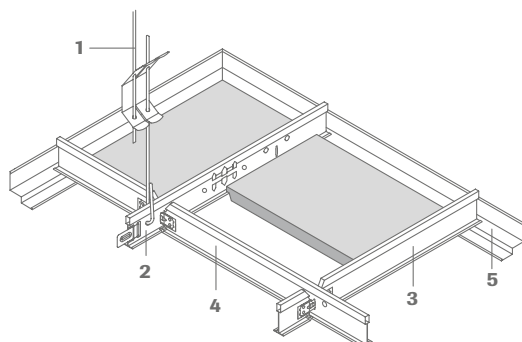
Flexo LED – Integrated lighting

	Length	Width	Height	Rating	Performance	Ballast unit	Part no.	Units/pack	Del. Cat.
Flexo LED 1 A*	600 mm	600 mm	110 mm	IP 20	54 W	LED drivers	00070653	1	D
LINECT Unit	Package for power supply for Flexo LED 1						00070946	1	D

* Flexo LED 1 A: Colour 4000 K, neutral white, includes bulbs, with visible frame, suitable only for System S 15b OWAline, dimmable DALI



S 15a cliq – suspension system



	Product no.	Product/component description	Units/pack
1	12/30/2	Adjustable hanger with double tension springs diameter: 4 mm, maximum load: 0.25 KN max. range of extension: 270 mm, a wire overhang of at least 15 mm must be provided	100 pieces
2	cliq-15-MR	Main tee height: 38 mm, width: 15 mm, length: 3000 mm, visible side: white	20 pieces
3	cliq-15-CT	Cross tee short, joggled height: 38 mm, width: 15 mm length: 300 mm, visible side: white length: 600 mm, visible side: white	60 pieces 60 pieces
4	cliq-15-CT	Cross tee long, joggled height: 38 mm, width: 15 mm length: 1200 mm, visible side: white	60 pieces
5	50/15G	Shadow wall angle height: 33 mm, visible width: 15 mm, total width: 30 mm length: 3050 mm, visible side: white	35 pieces
	42/15	Contura-block, height: 8 mm, width: 15 mm, total width: 24 mm, white	100 pieces



Making your point

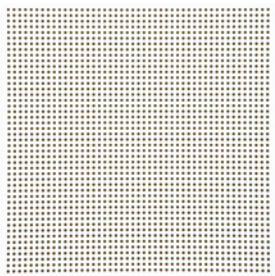
Pix

A fresh design approach has resulted in Pix, a visual recreation of the original acoustic ceiling tile but with many added benefits. Offering improved acoustic performance and a number of variations, Pix provides the visual contradiction of perforations on an un-perforated surface, but unlike the original design it is available in a number of variations including “holes” in a range of colours! Installed in conjunction with Sinfonia, Pix can be used to create notional zones within a room or just a sophisticated visual effect, especially when combined with our integrated Linear OWAlight.

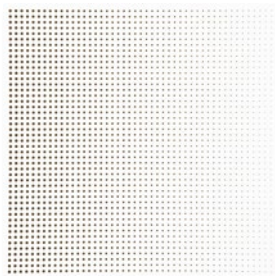


Pix

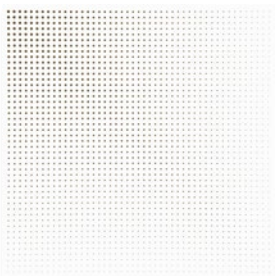
Pix – mineral tiles

 All edges **15b**


Pix 1



Pix 2



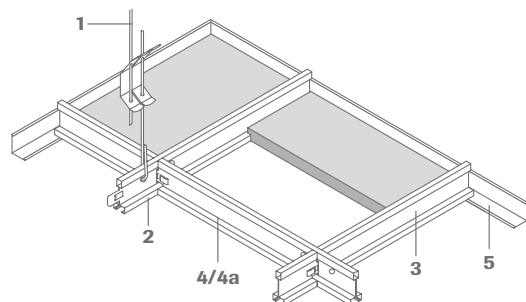
Pix 3

	Length	Width	Thickness	Part no.	Units/pack	α_w /NRC	Del. Cat.
Pix 1	600 mm	600 mm	15 mm	00068140	10	0.85	D
	1200 mm	600 mm	15 mm	00075027	10	0.85	D
Pix 2	600 mm	600 mm	15 mm	00068144	10	0.85	D
Pix 3	600 mm	600 mm	15 mm	00068146	10	0.85	D



S 15b OWAline – suspension system

	Product no.	Product/component description	Units/pack
1	12/30/2	Adjustable hanger with double tension springs diameter: 4 mm, maximum load: 0.25 KN max. range of extension: 270 mm, a wire overhang of at least 15 mm must be provided	100 pieces
2	3500	Main tee height: 38 mm, width: 14.3 mm, length: 3000 mm, cross tee slots at 600 mm centres exterior: white, recess: white	20 pieces
2	3501	Main tee height: 38 mm, width: 14.3 mm, length: 3600 mm, cross tee slots at 1200 mm centres exterior: white, recess: white	20 pieces
3	3512	Cross tee height: 38 mm, width: 14.3 mm, length: 600 mm exterior: white, recess: white	60 pieces
4	3514	Cross tee height: 38 mm, width: 14.3 mm, length: 1200 mm exterior: white, recess: white, with central cross tee slot	60 pieces
4a	3524	Cross tee height: 38 mm, width: 14.3 mm, length: 1200 mm exterior: white, recess: white, without central cross tee slot	60 pieces
5	51/32G	Wall angle height: 32 mm, width: 19 mm, length: 3000 mm, visible side: white	30 pieces
5	1456	Wall angle height: 32 mm, width: 15 mm, length: 3000 mm, upstand: 7.5 mm, visible side: white	10 pieces



Can be combined with OWAlight, page 21.



Distinction in design

Oriental

Oriental provides a bold, geometric, interlocking design that encompasses the practical, square ceiling grid within its own identity and enables the installation of modular service elements such as Flexo LED lights where required. Oriental's striking appearance can be illuminated even more with the inclusion of OWAights, the integrated Linear LED's that disappear or appear at the flick of a switch.

Oriental



600 x 600 mm

Oriental – mineral tiles

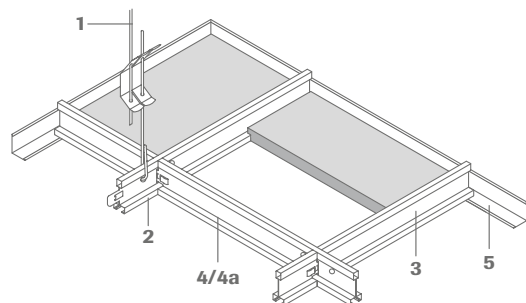
All edges 15b

Length	Width	Thickness	Part no.	Units/pack	α_{w} /NRC	Del. Cat.
600 mm	600 mm	15 mm	00068148	10	0.85	D



S 15b OWAline – suspension system

	Product no.	Product/component description	Units/pack
1	12/30/2	Adjustable hanger with double tension springs diameter: 4 mm, maximum load: 0.25 KN max. range of extension: 270 mm, a wire overhang of at least 15 mm must be provided	100 pieces
2	3500	Main tee height: 38 mm, width: 14.3 mm, length: 3000 mm, cross tee slots at 600 mm centres exterior: white, recess: white	20 pieces
2	3501	Main tee height: 38 mm, width: 14.3 mm, length: 3600 mm, cross tee slots at 1200 mm centres exterior: white, recess: white	20 pieces
3	3512	Cross tee height: 38 mm, width: 14.3 mm, length: 600 mm exterior: white, recess: white	60 pieces
4	3514	Cross tee height: 38 mm, width: 14.3 mm, length: 1200 mm exterior: white, recess: white, with central cross tee slot	60 pieces
4a	3524	Cross tee height: 38 mm, width: 14.3 mm, length: 1200 mm exterior: white, recess: white, without central cross tee slot	60 pieces
5	51/32G	Wall angle height: 32 mm, width: 19 mm, length: 3000 mm, visible side: white	30 pieces
5	1456	Wall angle height: 32 mm, width: 15 mm, length: 3000 mm, upstand: 7.5 mm, visible side: white	10 pieces



Can be combined with OWAlight, page 21.



A revolution in ceiling design

Trapeze

Creating an inspired design with integrated lighting, acoustic performance and aesthetics all in one ceiling can only be the result of inspired design and lateral thinking. With its delicate diagonal and perpendicular lines emphasized by the soft complementary, energy efficient Trapeze LED, this design offers a subtle visual interest that can be made even more striking by the inclusion and skilful placing of OWALights, the integrated Linear LED's that disappear or appear at the flick of a switch.

Trapeze



Trapeze 1



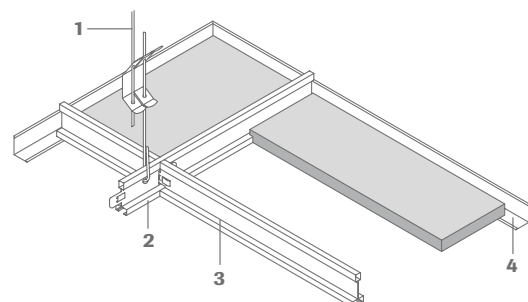
Trapeze 2



Trapeze LED A



Trapeze 4

Trapeze LED A
UL-certified

Trapeze – mineral tiles

All edges

15b

10

	Length	Width	Thickness	Part no.	Units/pack	α_w /NRC	Del. Cat.
Trapeze 1	1200 mm	400/200 mm	20 mm	00068150	16	0,85	D

All edges

15b

	Length	Width	Thickness	Part no.	Units/pack	α_w /NRC	Del. Cat.
Trapeze 2	1200 mm	600 mm	20 mm	00068151	8	0,85	D
Trapeze 4	1200 mm	600 mm	20 mm	00070416	8	0,85	D
Sinfonia	1200 mm	600 mm	15 mm	00075025	10	0,85	D

Trapeze LED – Integrated lighting

	Length	Width	Height	Rating	Performance	Ballast unit	Part no.	Units/pack	Del. Cat.
Trapeze LED A	1200 mm	400/200 mm	110 mm	IP 20	54 W	LED drivers	00076406	1	D
Trapeze LED A UL-certified	1220 mm	410/200 mm	110 mm	IP 20	64 W	LED drivers	00072903	1	D
Trapeze LED A - emergency light	1200 mm	400/200 mm	135 mm	IP 20	56 W	LED drivers	00076407	1	D
L profile	1190 mm, 10 x 8 mm, white RAL 9010 mat for Trapeze 1 using Trapeze LED						00069997	1	D

Trapeze LED A: Colour 4000 K, neutral white, includes bulbs, with visible frame, dimmable DALI



S 15b OWAline – suspension system

	Product no.	Product/component description	Units/pack
1	12/30/2	Adjustable hanger with double tension springs diameter: 4 mm, maximum load: 0.25 KN max. range of extension: 270 mm, a wire overhang of at least 15 mm must be provided	100 pieces
2	3500	Main tee height: 38 mm, width: 14.3 mm, length: 3000 mm, cross tee slots at 600 mm centres, exterior: white recess: white recess: black	20 pieces 20 pieces
3	3524	Cross tee height: 38 mm, width: 14.3 mm, length: 1200 mm, exterior: white, without central cross tee slot recess: white recess: black	60 pieces 60 pieces
4	51/32G	Wall angle height: 32 mm, width: 19 mm, length: 3000 mm, visible side: white	30 pieces
4	1456	Wall angle height: 32 mm, width: 15 mm, length: 3000 mm, upstand: 7.5 mm, visible side: white	10 pieces
	37	L profile for Trapeze 1 length: 1250 mm, trim onsite	50 pieces

Can be combined with OWAlight, page 21.

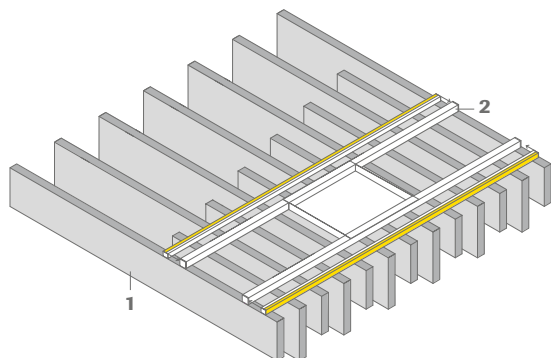
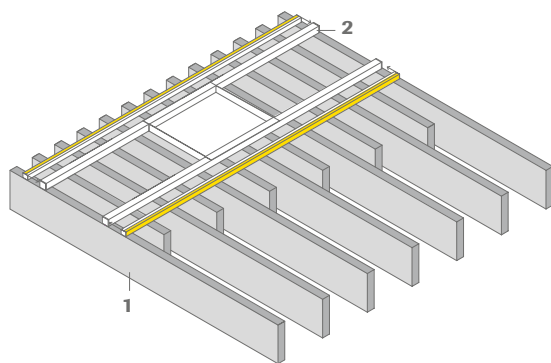


Out in the open

Square

The floating “Square” is constructed using 13 vertical baffles in two depths and six lengths suspended together in a single block. “Square” can be used to optimize acoustics in spaces or projects where thermal mass is an integral part of the building design or where the client requires a different visual effect. By combining several “Squares” or including the “Square” LED Linear light package a variety of different visual effects can be created.

Square



1 Square – baffle tile package

All edges

3

Length	Height	Thickness	Units/pack	α_w /NRC	Part no.	Del. Cat.
1200 mm	150 mm	30 mm	7	0.65	00069106	D
830 mm	200 mm	30 mm	1			
780 mm	200 mm	30 mm	1			
730 mm	200 mm	30 mm	1			
675 mm	200 mm	30 mm	1			
620 mm	200 mm	30 mm	1			
570 mm	200 mm	30 mm	1			

Package content: 7 pieces, length: 1200 mm, 1 piece each of the shorter length; total number of baffles per package: 13 pieces, Sinfonia tile surface

2 Square – construction package

Product/component description	Units/pack	Part no.	Del. Cat.
Square profile 25 x 25 x 2.0 mm, length: approx. 1220 mm, colour: white, fully assembled with connector bar	2 pieces	00079587	D
Connector bar 305 x 200 x 1.0 mm, white	1 piece		
Spacer sleeve M6 x 25 mm, white, for direct installation	4 pieces		
Fixing plug, Ø 11.6 mm, white, for square profile keyholes	26 pieces		
Threaded sleeve M6 x 30 mm, for suspended installation	4 pieces		
M6 x 15 mm, zinc galvanized, for suspended installation	4 pieces		

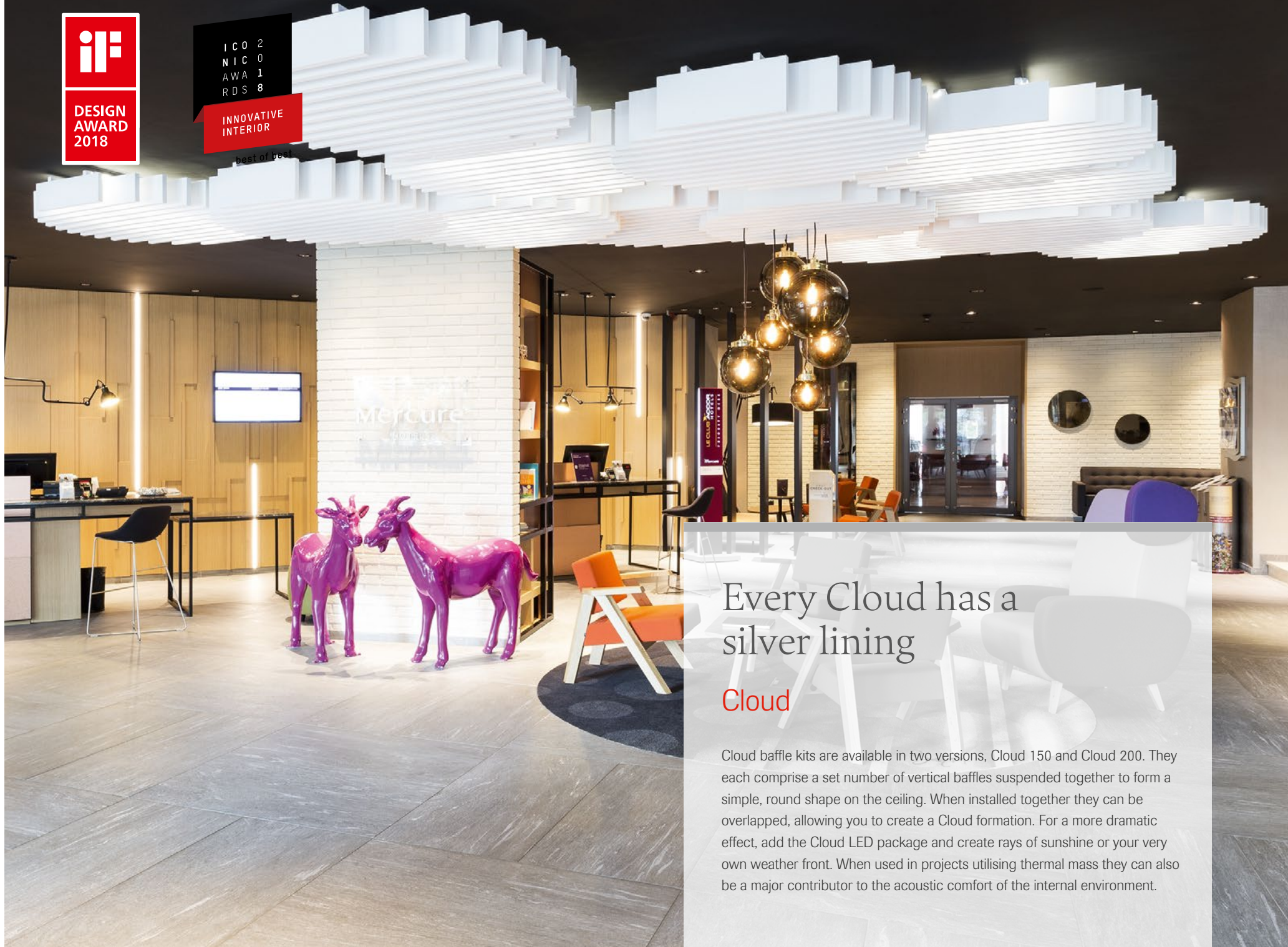
See brochure no. 1020 e Cloud and Square



IC 0 2
N I C 0
A W A 1
R D S 8

INNOVATIVE
INTERIOR

best of best



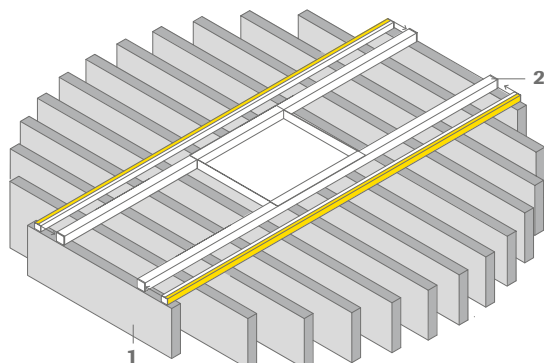
Every Cloud has a silver lining

Cloud

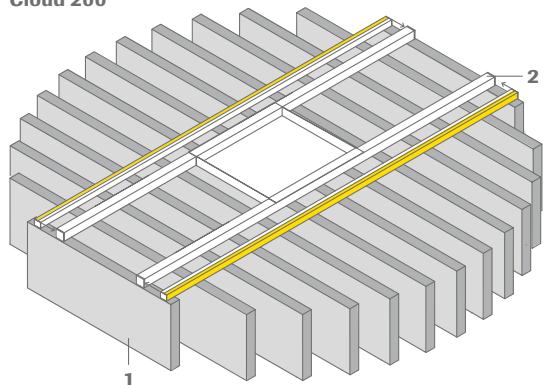
Cloud baffle kits are available in two versions, Cloud 150 and Cloud 200. They each comprise a set number of vertical baffles suspended together to form a simple, round shape on the ceiling. When installed together they can be overlapped, allowing you to create a Cloud formation. For a more dramatic effect, add the Cloud LED package and create rays of sunshine or your very own weather front. When used in projects utilising thermal mass they can also be a major contributor to the acoustic comfort of the internal environment.

Cloud

Cloud 150



Cloud 200



1 Cloud 150 – baffle tile package

All edges **3**

Length	Height	Thickness	Units/pack	α_w /NRC	Part no.	Del. Cat.
1295 mm	150 mm	30 mm	1	0.65	00069107	D
1280 mm	150 mm	30 mm	2			
1230 mm	150 mm	30 mm	2			
1150 mm	150 mm	30 mm	2			
1020 mm	150 mm	30 mm	2			
825 mm	150 mm	30 mm	2			
500 mm	150 mm	30 mm	2			

1 Cloud 200 – baffle tile package

All edges **3**

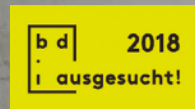
Length	Height	Thickness	Units/pack	α_w /NRC	Part no.	Del. Cat.
1295 mm	200 mm	30 mm	1	0.65	00069108	D
1280 mm	200 mm	30 mm	2			
1230 mm	200 mm	30 mm	2			
1150 mm	200 mm	30 mm	2			
1020 mm	200 mm	30 mm	2			
825 mm	200 mm	30 mm	2			
500 mm	200 mm	30 mm	2			

Total number of baffles per package: 13 pieces, Sinfonia tile surface

2 Cloud – construction package

Product/component description	Units/pack	Part no.	Del. Cat.
Square profile 25 x 25 x 2.0 mm, length: approx. 1220 mm, colour: white, fully assembled with connector bar	2 pieces	00079587	D
Connector bar 305 x 200 x 1.0 mm, white	1 piece		
Spacer sleeve M6 x 25 mm, white, for direct installation	4 pieces		
Fixing plug, Ø 11.6 mm, white, for square profile keyholes	26 pieces		
Threaded sleeve M6 x 30 mm, for suspended installation	4 pieces		
M6 x 15 mm, zinc galvanized, for suspended installation	4 pieces		

See brochure no. 1020 e Cloud and Square

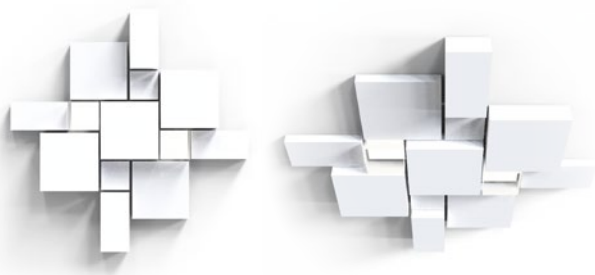


Classical styling – individual design freedom

Corpus

Stylistically uncompromising, functional with a plethora of design options – these are the main distinguishing features of the OWAconsult collection. Corpus has now succeeded in expanding this freedom even further. Ultrafine, white, fleececovered surfaces are interwoven seamlessly, thereby modelling the formal content and cohesion of the individual elements. That way, Corpus blends avant-garde freedom with classical styling, giving it its own, unmistakable impression. In addition there are the outstanding absorption properties of the individual elements, which ensure exemplary room acoustics, especially when they are combined.

Corpus



Corpus

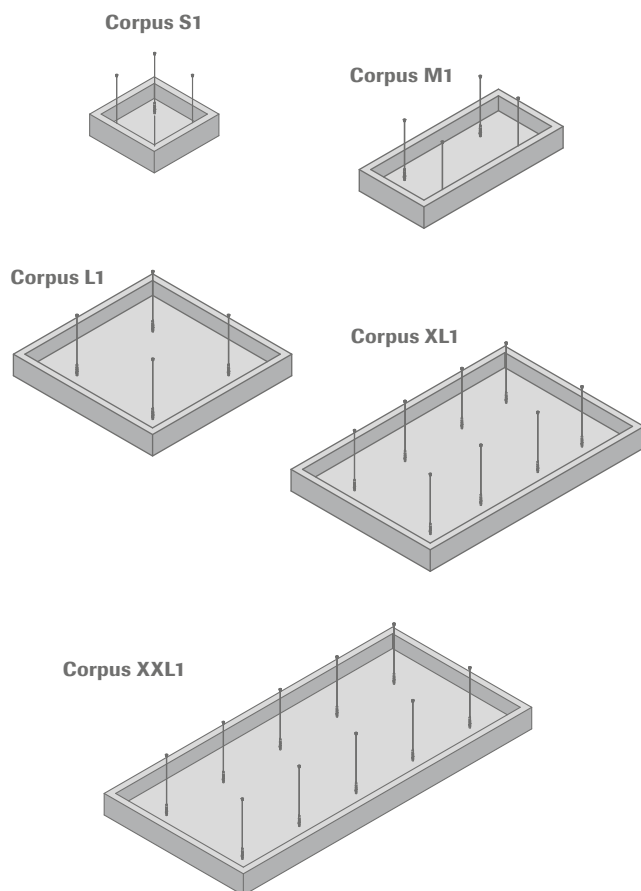
	Length	Width	Height	Thickness	Visible side	α_w /NRC	Part no.	Del. Cat.
Corpus S1	520 mm	520 mm	150 mm	40 mm	fleece covered, white	1.00/1.00	00074869	D
Corpus S2	520 mm	520 mm	300 mm	40 mm	fleece covered, white	1.00/1.00	00074870	D
Corpus M1	1120 mm	520 mm	150 mm	40 mm	fleece covered, white	1.00/1.00	00074871	D
Corpus M2	1120 mm	520 mm	300 mm	40 mm	fleece covered, white	1.00/1.00	00074872	D
Corpus L1	1120 mm	1120 mm	150 mm	40 mm	fleece covered, white	1.00/1.00	00074873	D
Corpus L2	1120 mm	1120 mm	300 mm	40 mm	fleece covered, white	1.00/1.00	00074874	D
Corpus XL1	1120 mm	1720 mm	150 mm	40 mm	fleece covered, white	1.00/1.00	00074875	D
Corpus XL2	1120 mm	1720 mm	300 mm	40 mm	fleece covered, white	1.00/1.00	00074876	D
Corpus XXL1	1120 mm	2320 mm	150 mm	40 mm	fleece covered, white	1.00/1.00	00074877	D
Corpus XXL2	1120 mm	2320 mm	300 mm	40 mm	fleece covered, white	1.00/1.00	00074878	D

Packing unit for all canopies: 1 piece per parcel

LED-Light-total-packages

	Length	Width	Height	Light colour	Rating	Ballast unit	Part no.	Del. Cat.	
Corpus Q1*	520 mm	520 mm	150 mm	4000 K	IP 20	LED drivers	00079698	D	
LED panel	520 mm	520 mm	25 mm	4000 K		LED drivers	00079615	D	
Q1 diffuser	520 mm	520 mm	150 mm				00079259	D	
Suspension set	Set consists of wire rope, length 1500 mm, rope adjuster with safety hook, ceiling fastener M6							00080477	D
Corpus Q2*	520 mm	520 mm	300 mm	4000 K	IP 20	LED drivers	00079699	D	
LED panel	520 mm	520 mm	25 mm	4000 K		LED drivers	00079615	D	
Q2 diffuser	520 mm	520 mm	300 mm				00079260	D	
Suspension set	Set consists of wire rope, length 1500 mm, rope adjuster with safety hook, ceiling fastener M6							00080477	D
Corpus Q1*	520 mm	520 mm	150 mm	tunable white	IP 20	LED drivers	00079700	D	
LED panel	520 mm	520 mm	25 mm	tunable white		LED drivers	00079258	D	
Q1 diffuser	520 mm	520 mm	150 mm				00079259	D	
Suspension set	Set consists of wire rope, length 1500 mm, rope adjuster with safety hook, ceiling fastener M6							00080477	D
Corpus Q2*	520 mm	520 mm	300 mm	tunable white	IP 20	LED drivers	00079701	D	
LED panel	520 mm	520 mm	25 mm	tunable white		LED drivers	00079258	D	
Q2 diffuser	520 mm	520 mm	300 mm				00079260	D	
Suspension set	Set consists of wire rope, length 1500 mm, rope adjuster with safety hook, ceiling fastener M6							00080477	D

* Consisting of LED panel, diffuser and suspension set. LED panel, diffusers and suspension sets do not have to be ordered separately, but are included the respective part number of the Corpus package.



Fitting set for ceiling installation

Component description	Part no.	
Corpus S1		
Corpus S2		
Corpus M1		
Corpus M2	Corpus set 1: 1 x fitting set, containing 4 pieces of rope sets consisting of suspension wire, length: 1500 mm, rope adjuster with safety hook, ceiling fastener with internal thread M6; per canopy one fitting set Corpus 1 is necessary	00071588
Corpus L1		
Corpus L2		
Corpus XL1		
Corpus XL2	Corpus set 2: 2 x fitting sets, each containing 4 pieces of rope sets consisting of suspension wire, length: 1500 mm, rope adjuster with safety hook, ceiling fastener with internal thread M6; per canopy one fitting set Corpus 2 is necessary	00071588
Corpus XXL1		
Corpus XXL2	Corpus set 3: 1 x fitting set no. 00071588 and 1 x fitting set no. 00071589, containing 4 resp. 6 pieces of rope sets consisting of suspension wire, length: 1500 mm, rope adjuster with safety hook, ceiling fastener with internal thread M6; per canopy one fitting set Corpus 3 is necessary	00071588 00071589



The art of light

OWAlight



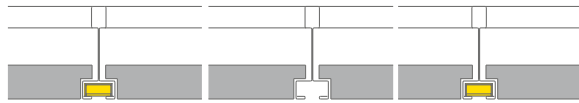
Integrated into special S 15b OWAline cross tees, OWAlights are installed as part of the standard ceiling grid and can appear or disappear at the flick of a switch. Available in 1220 mm or 610 mm lengths they are invisible when turned off, but tuned on, they can be used to illuminate, emphasise and create a totally different ambiance for the room. With UL-certification it is suited for the US-market.



OWAlight



UL-certified



OWAlight – LED cross tees for S 15b OWAline

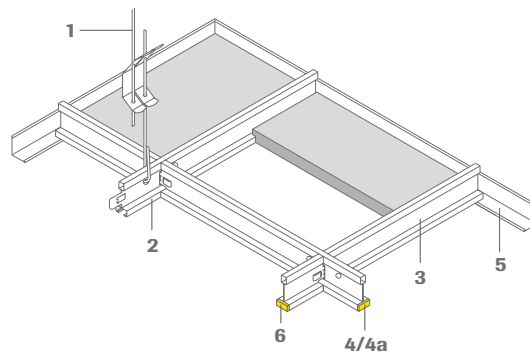
	Product/component description	Part no.	Units/pack	Del. Cat.
6	OWAlight 1 LED cross tee, Cross tee, length: 600 mm, height: 38 mm, width: 14.3 mm, white exterior, interior: LED light band over a length of 600 mm, rails delivered ready to plug in, cable length 2000 mm	00078885	1	D
4	OWAlight 2 LED cross tee, Cross tee, length: 1200 mm, height: 38 mm, width: 14.3 mm, white exterior, with central cross tee slot, interior: LED light band over a length of 600 mm, rails delivered ready to plug in, cable length 2000 mm	00078886	1	D
4	OWAlight 3 LED cross tee, Cross tee, length 1200 mm, height: 38 mm, width: 14.3 mm, white exterior, with central cross tee slot, interior: LED light band over a length of 1200 mm, rails delivered ready to plug in, cable length 2000 mm	00078887	1	D
4a	OWAlight 3a LED cross tee, Cross tee, length 1200 mm, height: 38 mm, width: 14.3 mm, white exterior, without central cross tee slot, interior: LED light band over a length of 1200 mm, rails delivered ready to plug in, cable length 2000 mm	00078888	1	D
	Transformer 100 W, DALI dimmable, to be sourced on-site			
	Transformer 240 W, DALI dimmable, to be sourced on-site			
	Distributor T-shape	00078635	1	D
	Extension cable with plug and socket, length: 2000 mm	00078636	1	D
	Connecting cable with socket, length: 600 mm	00078637	1	

Easily connected to the transformer they form part of the suspension system S15b OWAline and can be used to form linear, parallel, rectangular or square patterns by replacing standard cross tee No's 3514, 3524 and /or 3512. Based on anticipated room usage, dimensions, décor, building orientation and available natural daylight the OWAconsult team can, where required, provide lighting calculations and layout plans. Colour 4000 K, neutral white. See brochure no. 1011 e OWAlight.

N.B. OWAlight cross tees are suitable for use with components 3500, 3512, 3514 and 3524 and should only be used with the system components shown below. For LED cross tees the suspension system below must be ordered. The suitability of fitting OWAlights into an existing S 15b CONSULT system should be confirmed with the OWAconsult team prior to purchase or installation. See brochure no. 1022 e S 15b OWAline.



S 15b OWAline – suspension system



	Product no.	Product/component description	Units/pack
1	12/30/2	Adjustable hanger with double tension springs, diameter: 4 mm, maximum load: 0.25 KN, max. range of extension: 270 mm, a wire overhang of at least 15 mm must be provided	100 pieces
2	3500	Main tee, height: 38 mm, width: 14.3 mm, length: 3000 mm, cross tee slots at 600 mm centres exterior: white, recess: white	20 pieces
2	3501	Main tee, height: 38 mm, width: 14.3 mm, length: 3600 mm, cross tee slots at 1200 mm centres exterior: white, recess: white	20 pieces
3	3512	Cross tee, height: 38 mm, width: 14.3 mm, length: 600 mm, exterior: white, recess: white	60 pieces
3	3514	Cross tee, height: 38 mm, width: 14.3 mm, length: 1200 mm exterior: white, recess: white, with central cross tee slot	60 pieces
3	3524	Cross tee, height: 38 mm, width: 14.3 mm, length: 1200 mm exterior: white, recess: white, without central cross tee slot	60 pieces
5	51/32G	Wall angle, height: 32 mm, width: 19 mm, length: 3000 mm, visible side: white	30 pieces
5	1456	Wall angle, height: 32 mm, width: 15 mm, length: 3000 mm, upstand: 7.5 mm, visible side: white	10 pieces

IC 0 2
N I C 0
A W A 1
R D S 8

INNOVATIVE
ARCHITECTURE

best of best



Exciting innovation

OWAconsult collection

In addition to our collaboration with Hadi Teherani, OWAconsult has a continuous programme of research and development headed up by our own team of architects, acousticians, designers and technical personnel. Our continuing mission is to develop exciting products that combine product performance, aesthetics, practical application, environmental awareness and reflect the requirements of tomorrow's ceilings today.

I C O 2
N I C 0
A W A 1
R D S 8

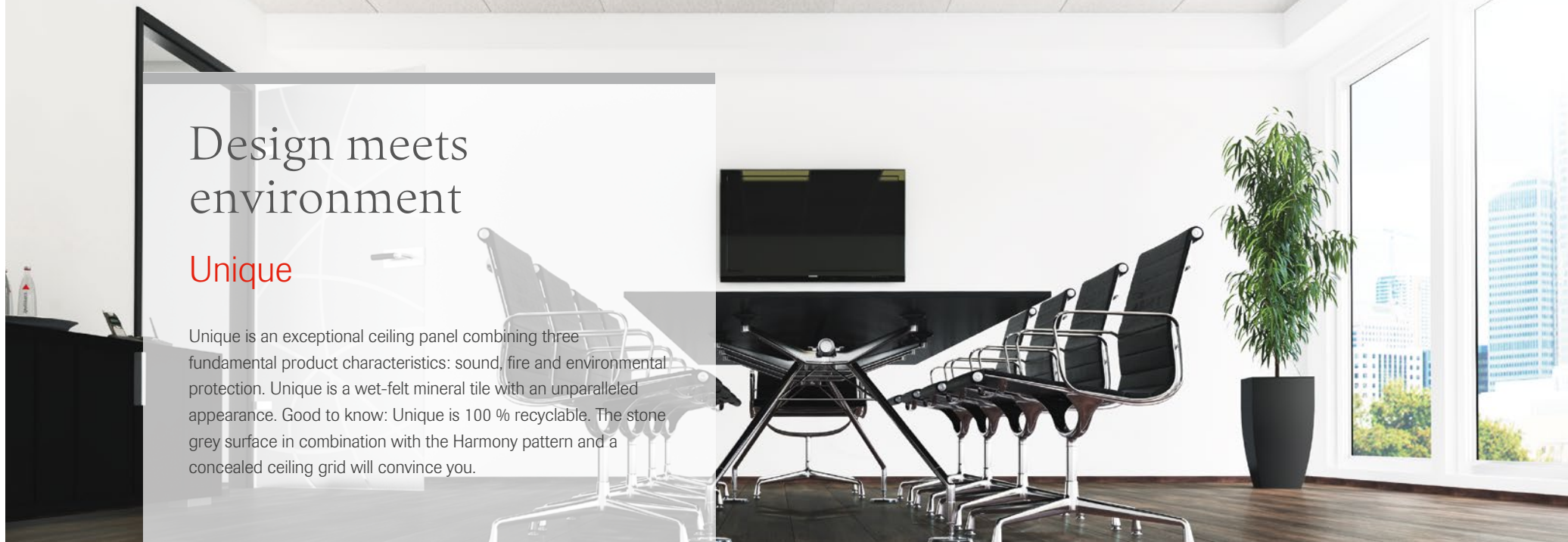
INNOVATIVE
ARCHITECTURE

best of best

Design meets environment

Unique

Unique is an exceptional ceiling panel combining three fundamental product characteristics: sound, fire and environmental protection. Unique is a wet-felt mineral tile with an unparalleled appearance. Good to know: Unique is 100 % recyclable. The stone grey surface in combination with the Harmony pattern and a concealed ceiling grid will convince you.



Unique



Unique

Unique – mineral tiles



Length	Width	Thickness	Bevel	Part no.	Units/pack	α_w /NRC	Del. Cat.
625 mm	625 mm	20 mm	white	00073006	8	0.65 / 0.70	D
625 mm	625 mm	20 mm	raw	00073004	8	0.65 / 0.70	D
1250 mm	625 mm	20 mm	white	00073005	8	0.65 / 0.70	D
1250 mm	625 mm	20 mm	raw	00072983	8	0.65 / 0.70	D

You can combine tiles with white and raw bevel.

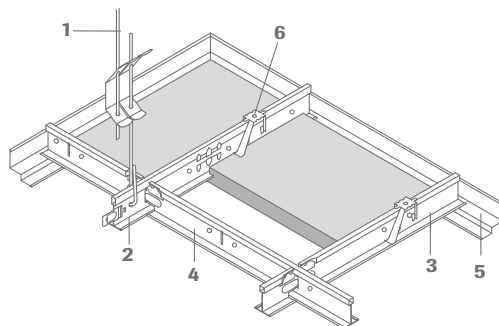
Lifetime LED – Integrated lighting

Length	Width	Height	Rating	Performance	Ballast unit	Part no.	Units/pack	Del. Cat.
625 mm	625 mm	105 mm	IP 20	41 W	LED drivers	00074741	1	A

Colour 4000 K, dimmable DALI incl. mounting kit



S 19 Teccor – suspension system



	Product no.	Product/component description	Units/pack
1	12 / 30 / 2	Adjustable hanger with double tension springs diameter: 4 mm, maximum load: 0.25 KN max. range of extension: 270 mm; a wire overhang of at least 15 mm must be provided	100 pieces
2	45	Main tee, height: 38 mm, width: 24 mm, visible side: white length: 3750 mm	25 pieces
3	46	Cross tee, height: 32 mm, width: 24 mm, visible side: white length: 625 mm	75 pieces
4	47	Cross tee, height: 32 mm, width: 24 mm, visible side: white length: 1250 mm	50 pieces
5	50 / 19	Shadow wall angle, height: 38 mm, total width: 30 mm, visible width: 15 mm, length: 3050 mm, visible side: white	15 pieces
6	819	Hold down clip for no. 45, 46, 47; corrosion-resistant	500 pieces



Authentic and progressive

RAW

The new product line RAW features three different surface finishes and is a new creation of the OWA Design Team. One of the distinguishing features they share is an original appearance combined with high acoustic performance. Special finishing processes maintain the natural appearance of the mineral fibres and allow rooms to be given a completely new, unique industrial design.

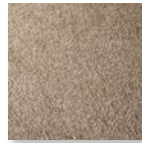
RAW



RAW structure



RAW grey



RAW clay

RAW structure

All edges **3**

Length	Width	Thickness	Part no.	Units/pack	α_w /NRC	Del. Cat.
2400 mm	1200 mm	20 mm	00079720	40*	0.70/0.70	B

* On one pallet

RAW grey

All edges **3**

Length	Width	Thickness	Part no.	Units/pack	α_w /NRC	Del. Cat.
2400 mm	1200 mm	20 mm	00079726	40*	0.90/0.90	B

* On one pallet

RAW clay

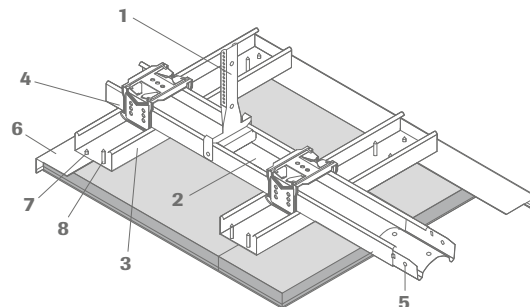
All edges **3**

Length	Width	Thickness	Part no.	Units/pack	α_w /NRC	Del. Cat.
2400 mm	1200 mm	20 mm	00079721	40*	0.90/0.90	B

* On one pallet



S 7 RAW – suspension system



Product no.	Product/component description	Units/pack
1 2001*1	Lower nonius hanger for primary CD profile 60 x 27 mm, length: 130 mm, maximum load: 0.40 kN, zinc galvanized	100 pieces
76	Safety pin for Nonius hanger, length: approx. 70 mm, thickness: 3 mm, zinc galvanized	100 pieces
2002	Adjustable direct hanger, adjustment range: 30 - 75 mm, zinc galvanized, incl. 2 safety pins	100 pieces
2 2003	Primary CD profile 60 x 27 mm, length: 4000 mm, support grid spacing 1000 mm	12 pieces
3 2003	Primary CD profile 60 x 27 mm, length: 4000 mm, support grid spacing 400 mm	12 pieces
4 2004	Cross connector, height: 40 mm, width: 60 mm, depth: 45 mm, zinc galvanized	100 pieces
5 2005	CD profile connector, height: 25 mm, width: 60 mm, length: 80 mm, zinc galvanized	100 pieces
6 51/22	Wall angle, height: 50 mm, width: 22 mm, thickness: 0.7 mm, length: 3000 mm, visible side: white	10 pieces
51/22-0	Curved wall profile, column half-ring	*2
7 2008	Screws for no. 51/22	bulk-packed
8 2019	Plate screw	500 pieces/package
8031/9	Comfort access trap for RAW ceilings 340 x 340 mm (external dimension), without RAW-plate Attention: additional suspension required (see RAW installation guide)	bulk-packed
8031/10	Comfort access trap for RAW ceilings 540 x 540 mm (external dimension), without RAW-plate Attention: additional suspension required (see RAW installation guide)	bulk-packed
8069/6	Pattress for RAW consisting of frame components (2 pieces), length: 340 mm	bulk-packed
4437	Fire resistant tape 12 x 1.5 mm (where fire resistance is required)	25 m roll

Material specifications: Any stated performance levels are based on the installation of a complete ceiling kit as shown here or in the relevant test report. Substitution of any component or failure to install the ceiling in accordance with our recommendations will invalidate any warranty and may adversely affect any anticipated performance levels. | *1 Extension no. 16/... see accessories list page 54 | *2 See brochure no. 9001 e price list OWAlifetime collection

IC 0 2
N I C 0
A W A 1
R D S 8

INNOVATIVE
ARCHITECTURE

best of best

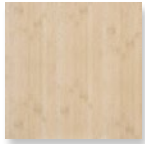
Acoustics and natural designs

Bamboo

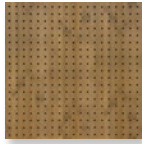
Using the natural design of Bamboo, we have created a ceiling with soft, wood tones and high levels of sound absorption that together provide a soothing and elegant environment.



Bamboo



Bamboo
natural colour
Constellation



Bamboo dark
regular perforated

Bamboo natural colour – mineral tiles

All edges



	Length	Width	Thickness	Part no.	Units/pack	α_w /NRC	Del. Cat.
Constellation	600 mm	600 mm	20 mm	00062780	8	0.70 / 0.65	D
Constellation	625 mm	625 mm	20 mm	00062776	8	0.70 / 0.65	D

Bamboo dark – mineral tiles

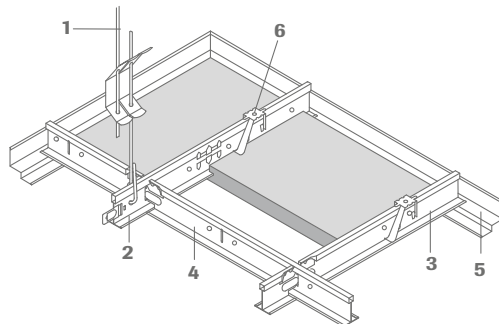
All edges



	Length	Width	Thickness	Part no.	Units/pack	α_w /NRC	Del. Cat.
Regular perforated	600 mm	600 mm	20 mm	00062782	8	0.55 / 0.60	D
Regular perforated	625 mm	625 mm	20 mm	00062778	8	0.55 / 0.60	D



S 19 Teccor – suspension system



	Product no.	Product/component description	Units/pack
1	12/30/2	Adjustable hanger with double tension springs diameter: 4 mm, maximum load: 0.25 KN max. range of extension: 270 mm; a wire overhang of at least 15 mm must be provided	100 pieces
2	45	Main tee, height: 38 mm, width: 24 mm length: 3700 mm, visible side: white length: 3750 mm, visible side: white	25 pieces 25 pieces
3	46	Cross tee, height: 32 mm, width: 24 mm length: 600 mm, visible side: white length: 625 mm, visible side: white	75 pieces 75 pieces
4	47	Cross tee, height: 32 mm, width: 24 mm length: 1200 mm, visible side: white length: 1250 mm, visible side: white	50 pieces 50 pieces
5	50/19	Shadow wall angle, height: 38 mm, total width: 30 mm, visible width: 15 mm, length: 3050 mm visible side: Bamboo natural colour visible side: Bamboo dark	15 pieces 15 pieces
6	819	Hold down clip for no. 45, 46, 47; corrosion-resistant	500 pieces

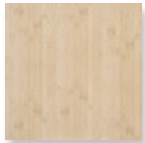


Natural influence on interior concepts

Bamboo

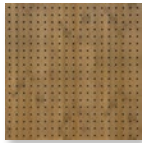
Bamboo is a versatile Asian plant that offers many important performance characteristics as well as being used to provide attractive, decorative products. OWA have taken that natural example and replicated the elegant warm finish and applied it to their own high performance ceiling tiles, providing a tile that looks great on its own, can be used to complement other timber elements in a room and also provide high levels of sound control and fire resistance.

Bamboo



Bamboo natural colour
Constellation

Also available in Plain



Bamboo dark
regular perforated

Also available in Plain

Bamboo natural colour – mineral tiles

All edges **3**

	Length	Width	Thickness	Part no.	Units/pack	α_w /NRC	Del. Cat.
Constellation	600 mm	600 mm	15 mm	00062556	12	0.70/0.65	D
Constellation	625 mm	625 mm	15 mm	00062552	12	0.70/0.65	D
Plain	600 mm	600 mm	15 mm	00062555	12	0.15/0.15	D
Plain	625 mm	625 mm	15 mm	00062551	12	0.15/0.15	D

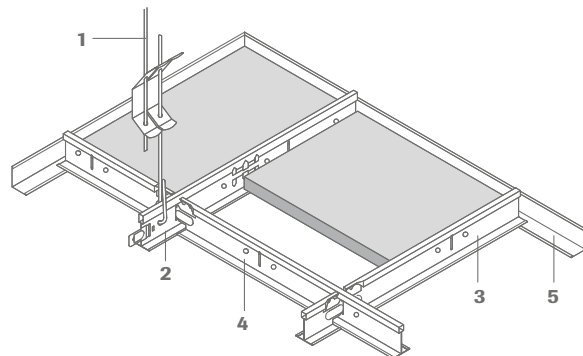
Bamboo dark – mineral tiles

All edges **3**

	Length	Width	Thickness	Part no.	Units/pack	α_w /NRC	Del. Cat.
Regular perforated	600 mm	600 mm	15 mm	00062560	12	0.55/0.60	D
Regular perforated	625 mm	625 mm	15 mm	00062554	12	0.55/0.60	D
Plain	600 mm	600 mm	15 mm	00062558	12	0.15/0.15	D
Plain	625 mm	625 mm	15 mm	00062553	12	0.15/0.15	D



S 3 – suspension system



	Product no.	Product/component description	Units/pack
1	12/30/2	Adjustable hanger with double tension springs diameter: 4 mm, maximum load: 0.25 KN max. range of extension: 270 mm; a wire overhang of at least 15 mm must be provided	100 pieces
2	45	Main tee, height: 38 mm, width: 24 mm length: 3700 mm, visible side: Bamboo natural colour length: 3700 mm, visible side: Bamboo dark length: 3750 mm, visible side: Bamboo natural colour length: 3750 mm, visible side: Bamboo dark	25 pieces 25 pieces 25 pieces 25 pieces
3	46	Cross tee, height: 32 mm, width: 24 mm length: 600 mm, visible side: Bamboo natural colour length: 600 mm, visible side: Bamboo dark length: 625 mm, visible side: Bamboo natural colour length: 625 mm, visible side: Bamboo dark	75 pieces 75 pieces 75 pieces 75 pieces
4	47	Cross tee, height: 32 mm, width: 24 mm length: 1200 mm, visible side: Bamboo natural colour length: 1200 mm, visible side: Bamboo dark length: 1250 mm, visible side: Bamboo natural colour length: 1250 mm, visible side: Bamboo dark	50 pieces 50 pieces 50 pieces 50 pieces
5	50G	Wall angle height: 24 mm, width: 19 mm, length: 3050 mm visible side: Bamboo natural colour visible side: Bamboo dark	40 pieces 40 pieces

No. 45, no. 46, no. 47 and no. 51/24G upon request, also available in black.

IC 2
NIC 0
AWA 1
RDS 8

INNOVATIVE
ARCHITECTURE

best of best

Cool design – Great acoustics

Opus

Concrete has its unique place in interior design as well as construction. Its biggest drawback as an interior finish is its lack of sound absorption. The in-house OWAconsult design team took the visual concept and created Opus, a concealed grid mineral tile that replicates the surface appearance of concrete and provides great sound absorption.



Opus



Opus

Opus – mineral tiles

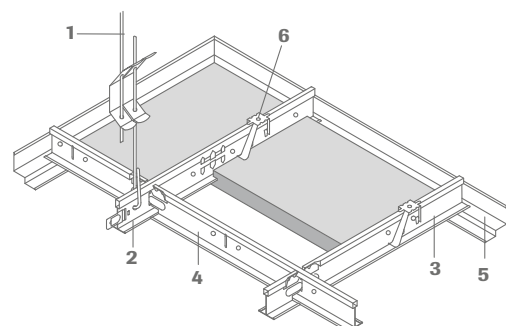
All edges



Length	Width	Thickness	Part no.	Units/pack	α_w /NRC	Del. Cat.
600 mm	600 mm	20 mm	00065241	8	0.70/0.65	D
625 mm	625 mm	20 mm	00065111	8	0.70/0.65	D
1200 mm	600 mm	20 mm	00070951	8	0.70/0.65	D
1250 mm	625 mm	20 mm	00070213	8	0.70/0.65	D



S 19 Teccor – suspension system



	Product no.	Product/component description	Units/pack
1	12/30/2	Adjustable hanger with double tension springs diameter: 4 mm, maximum load: 0.25 KN max. range of extension: 270 mm, a wire overhang of at least 15 mm must be provided	100 pieces
2	45	Main tee height: 38 mm, width: 24 mm, visible side: white length: 3700 mm length: 3750 mm	25 pieces 25 pieces
3	46	Cross tee height: 32 mm, width: 24 mm, visible side: white length: 600 mm length: 625 mm	75 pieces 75 pieces
4	47	Cross tee height: 32 mm, width: 24 mm, visible side: white length: 1200 mm length: 1250 mm	50 pieces 50 pieces
5	50/19	Shadow wall angle height: 38 mm, total width: 30 mm, visible width: 15 mm, length: 3050 mm, visible side: white	15 pieces
6	819	Hold down clip for no. 45, 46, 47; corrosion-resistant	500 pieces

IC 0 2
N I C 0
A W A 1
R D S 8

INNOVATIVE
ARCHITECTURE

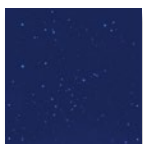
best of best

Creativity at your fingertips

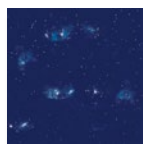
Creaprint

Company logo, pictures, directions, symbols, instructions or the creation of special environments such as jungles and skies, all can be printed on OWA ceiling tiles using our creative printing service "Creaprint". Select from library pictures or send us your own hi-res images and we will put them in the ceiling on a single, on multiple tiles or a complete ceiling; the only limitation is your imagination.

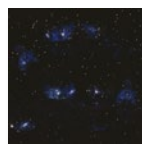
Creaprint



Starry sky



Galaxie blue



Galaxie black



Clouded sky

In addition to the motifs above the Creaprint mineral tiles can also be printed with individual motifs or colours similar RAL; see brochure no. 1899 e and the file guidelines for Creaprint.

Creaprint Constellation – mineral tiles – individual motifs and colours similar RAL/NCS

All edges **3**

Length	Width	Thickness	Part no.	α_w /NRC	Del. Cat.
600 mm	600 mm	15 mm	order-related	0.70 / 0.65	D
625 mm	625 mm	15 mm	order-related	0.70 / 0.65	D

Creaprint Constellation – mineral tiles – Clouded sky set of 9

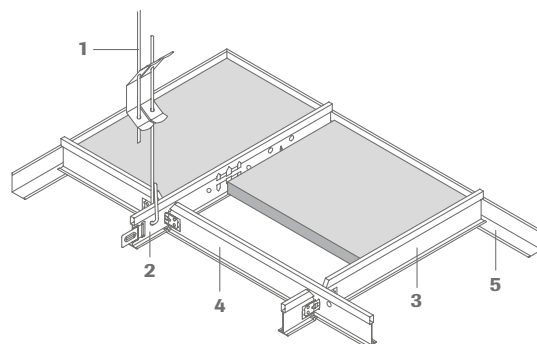
All edges **3**

Length	Width	Thickness	Part no.	α_w /NRC	Del. Cat.
600 mm	600 mm	15 mm	00073367	0.70 / 0.65	D
625 mm	625 mm	15 mm	00073365	0.70 / 0.65	D

Costs for data preparation and handling at cost.



S 15 cliq – suspension system



	Product no.	Product/component description	Units/pack
1	12/30/2	Adjustable hanger with double tension springs diameter: 4 mm, maximum load: 0.25 KN max. range of extension: 270 mm; a wire overhang of at least 15 mm must be provided	100 pieces
2	cliq-15-MR	Main tee height: 38 mm, width: 15 mm, visible side: white length: 3000 mm length: 3125 mm	20 pieces 20 pieces
3	cliq-15-CT	Cross tee short, joggled height: 38 mm, width: 15 mm, visible side: white length: 600 mm length: 625 mm	60 pieces 60 pieces
4	cliq-15-CT	Cross tee long, joggled height: 38 mm, width: 15 mm, visible side: white length: 1200 mm length: 1250 mm	60 pieces 60 pieces
5	50G	Wall angle height: 24 mm, width: 19 mm, length: 3050 mm visible side: white	40 pieces

Also available for system S 3/S 3 cliq (24 mm profile) system.

Strong Monoliths. Pretty formations.

Canto

The OWA ceiling canopy is based on the acoustically effective Sinfonia mineral tile (sound absorption value 0.85). Their uniform appearance from below and the large format size of 1024 x 1024 mm provide attractive acoustic solutions – either as a monolith for discreetly designed conversation areas or arranged to create formations with harmonic surface areas. Canto is the best solution for rooms with exposed concrete and also for improvements in acoustics.

Canto

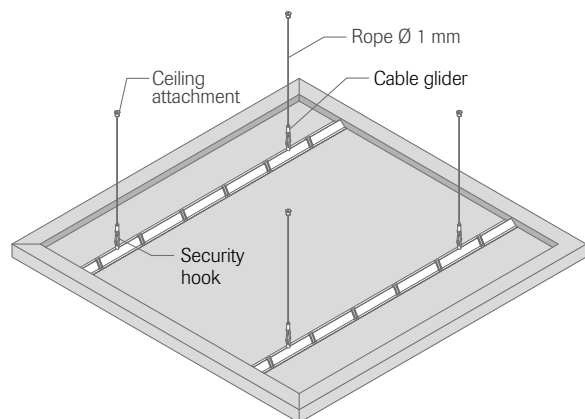


Canto

Length	Width	Thickness	Visible side	α_w /NRC	Part no.	Del. Cat.
1024 mm	1024 mm	40 mm	fleece covered, white	0.80 / 0.85	00071321	B

(4 sets per ceiling canopy consisting of suspension wire, length: 1500 mm, rope adjuster with safety hook, fixture of ceiling M6)
Mineralboard Sinfonia is used for Canto

See brochure no. 1964 e Canopies



I C O 2
N I C 0
A W A 1
R D S 8INNOVATIVE
ARCHITECTURE

best of best

So easy to get good room acoustics

Curve

The canopies Curve 1 (convex) and Curve 2 (concav) are white, fleece-covered, glasswool-based ceiling canopy modules and therefore a real lightweight on the ceiling. Even the edges are white and finished so that the individual modules can be hung alone or arranged in formations. Huge acoustic bonus: Curve 1 is an A-class absorber (sound absorption value 1.00). The nearly square 1200 x 1100 mm concave-shaped module can be covered with coloured fabric. This opens new design options for the ceiling.

Curve

Curve 1



Curve 2



Curve 1

Length	Width	Thickness	Visible side	α_w /NRC	Part no.	Del. Cat.
1200 mm	1100 mm	40 mm	fleece covered, white	1.00/0.95	00074785	D
1200 mm	1100 mm	40 mm	coloured fabric	1.00/0.95	depending on the colour	D

Curve 2

Length	Width	Thickness	Visible side	α_w /NRC	Part no.	Del. Cat.
1100 mm	910 mm	40 mm	fleece covered, white	1.00/0.95	00074786	D
1100 mm	910 mm	40 mm	coloured fabric	1.00/0.95	depending on the colour	D

Packing unit for all canopies: 1 piece per parcel
Coloured fabric see brochure no. 1964 e Canopies

Fitting set for ceiling installation

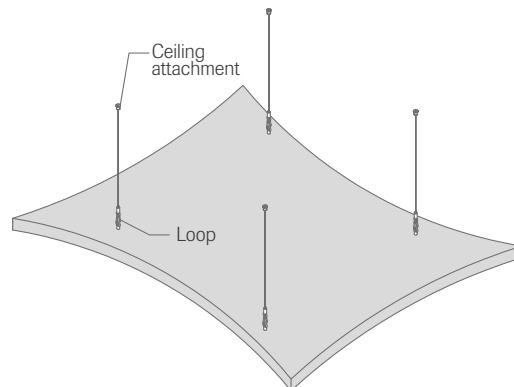
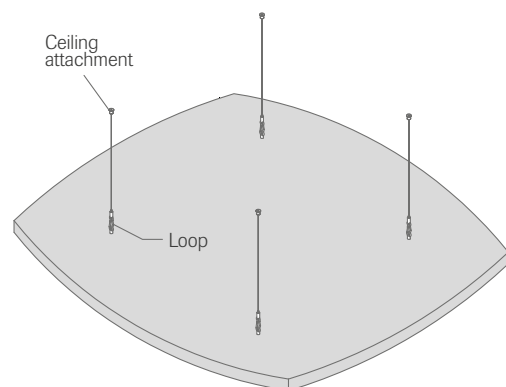
Component description	Part no.
Fitting set contains 4 pieces of rope sets consisting of suspension wire, length: 1500 mm, rope adjuster with safety hook, fixture of ceiling M6	00071588

Please order one fitting set per canopy.

Fitting set for wall installation

Component description	Part no.
Wall installation set of 4 pieces one set includes 4 pieces of wall claws	00073602

Please order one fitting set per wall absorber.



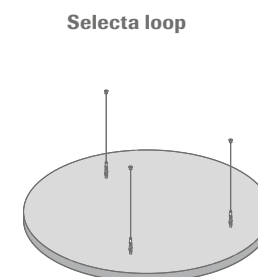
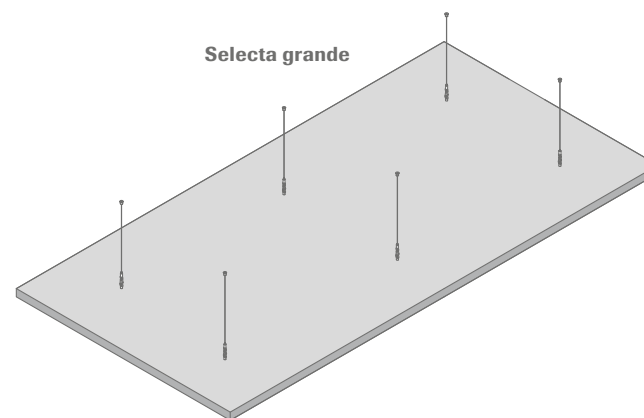
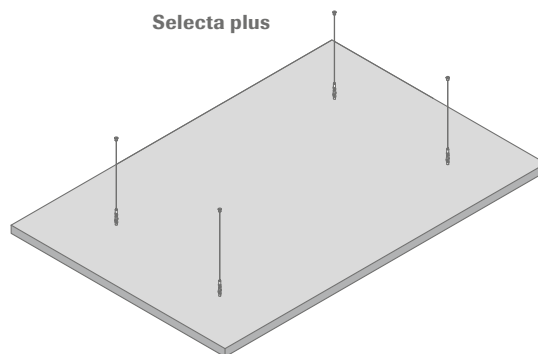
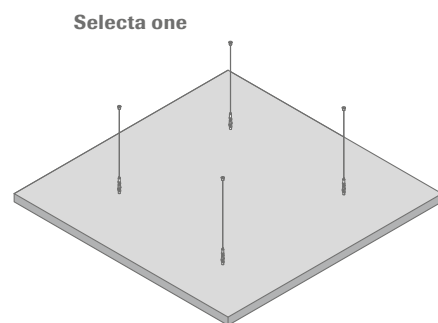
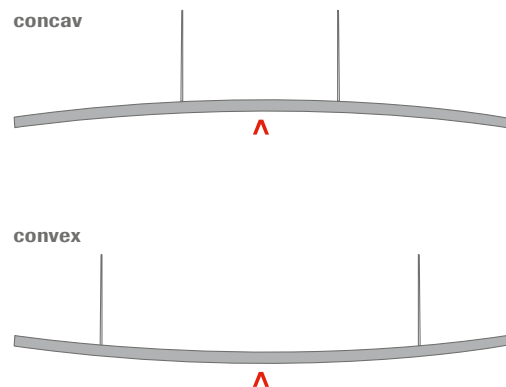


Geometry of the exclusive

Selecta

Do you combine form consciousness with high acoustic demands on your working environment? Then go for Selecta, an exclusive series made of light glasswool absorbers in the A-class format (noise absorption value $\alpha_w = 1.00$). You can choose from six striking basic forms with white underside views. They can be freely combined for highly expressive geometries. The fleece-lined ceiling canopies, measuring up to 2,400 x 1,200 mm, are suspended with ceiling attachments and cables up to 1.5 m in length and open up countless options for creative acoustic solutions beneath almost any structure.

Selecta



Selecta

	Length	Width	Thickness	Visible sides	α_w /NRC	Part no.	Del. Cat.
Selecta one	1200 mm	1200 mm	40 mm	fleece covered white	1.00/0.95	00074782	D
Selecta concav	1200 mm	1200 mm	40 mm	fleece covered white	1.00/0.95	00076262	D
Selecta convex	1200 mm	1200 mm	40 mm	fleece covered white	1.00/0.95	00076263	D
Selecta plus	1800 mm	1200 mm	40 mm	fleece covered white	1.00/0.95	00074783	D
Selecta grande	2400 mm	1200 mm	40 mm	fleece covered white	1.00/0.95	00074780	D
Selecta loop	diameter 800 mm		40 mm	fleece covered white	1.00/0.95	00077120	D
Selecta loop	diameter 1000 mm		40 mm	fleece covered white	1.00/0.95	00077180	D
Selecta loop	diameter 1200 mm		40 mm	fleece covered white	1.00/0.95	00074781	D

Packing unit for all canopies: 1 piece per parcel | Special formats/special shapes on request. | See brochure no. 1964 e Canopies

Fitting set for ceiling installation

	Component description	Part no.
Selecta one, concav, convex, plus	Fitting set contains 4 pieces of rope sets consisting of suspension wire, 1500 mm, rope adjuster with safety hook, fixture of ceiling M6	00071588
Selecta grande	Fitting set contains 6 pieces of rope sets consisting of suspension wire, 1500 mm, rope adjuster with safety hook, fixture of ceiling M6	00071589
Selecta loop	Fitting set contains 3 pieces of rope sets consisting of suspension wire, 1500 mm, rope adjuster with safety hook, fixture of ceiling M6	00071590

Please order one fitting set per canopy.

Fitting set for wall installation

	Component description	Part no.
Wall installation set of 4	One set includes 4 wall claws (for Selecta one and plus)	00073602
Wall installation set of 6	One set includes 6 wall claws (for Selecta grande and for 2 pieces of Selecta loop)	00073603

Please order one fitting set per canopy.

I C O 2
N I C 0
A W A 1
R D S 8INNOVATIVE
ARCHITECTURE

best of best

Colourful ceiling shapes have arrived

Selecta

As the name suggest, the Selecta range offers a large selection of shaped acoustic absorbers, including the square Selecta one, the cuboidal Selecta plus, Selecta grande and the circular Selecta loop, which offers a diverse range that leaves nothing to be desired. Each model offers an individual and customised acoustic solution for virtually any design imaginable. This exclusive collection can be effortlessly integrated into spaces that are unconventional in shape and size. The four different models are made of lightweight mineral wool and covered with a colourful fabric resulting in an attractive product with outstanding sound absorption qualities.

Selecta



Other colours see page 50 and 51.

Selecta

	Length	Width	Thickness	Visible sides	α_w /NRC	Part no.	Del. Cat.
Selecta one	1200 mm	1200 mm	40 mm	coloured fabric	1.00/0.95	on request	D
Selecta plus	1800 mm	1200 mm	40 mm	coloured fabric	1.00/0.95	on request	D
Selecta grande	2400 mm	1200 mm	40 mm	coloured fabric	1.00/0.95	on request	D
Selecta loop	diameter 800 mm		40 mm	coloured fabric	1.00/0.95	on request	D
Selecta loop	diameter 1000 mm		40 mm	coloured fabric	1.00/0.95	on request	D
Selecta loop	diameter 1200 mm		40 mm	coloured fabric	1.00/0.95	on request	D

Packing unit for all canopies: 1 piece per parcel | Special formats/special shapes on request. | See brochure no. 1964 e Canopies

Fitting set for ceiling installation

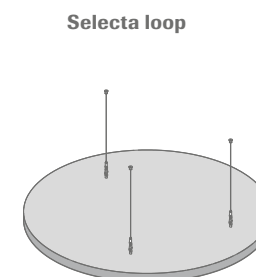
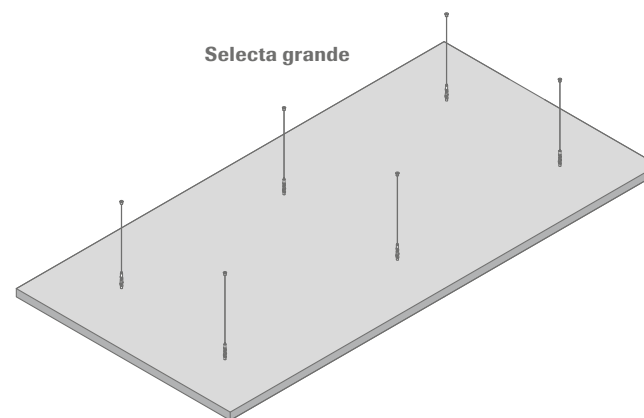
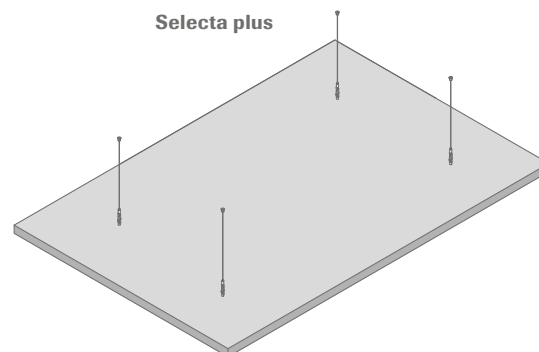
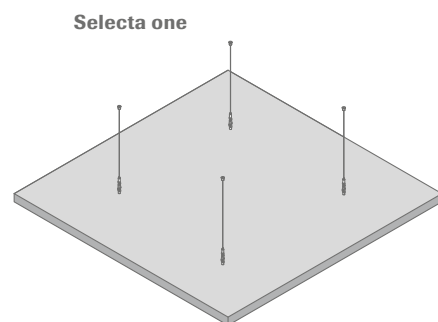
	Component description	Part no.
Selecta one, concav, convex, plus	Fitting set contains 4 pieces of rope sets consisting of suspension wire, 1500 mm, rope adjuster with safety hook, fixture of ceiling M6	00071588
Selecta grande	Fitting set contains 6 pieces of rope sets consisting of suspension wire, 1500 mm, rope adjuster with safety hook, fixture of ceiling M6	00071589
Selecta loop	Fitting set contains 3 pieces of rope sets consisting of suspension wire, 1500 mm, rope adjuster with safety hook, fixture of ceiling M6	00071590

Please order one fitting set per canopy.

Fitting set for wall installation

	Component description	Part no.
Wall installation set of 4	One set includes 4 wall claws (for Selecta one and plus)	00073602
Wall installation set of 6	One set includes 6 wall claws (for Selecta grande and for 2 pieces of Selecta loop)	00073603

Please order one fitting set per canopy.





Acoustic, design and colour.
Feel free to create your own style.

FreeStyle baffles with wire suspension

FreeStyle – it connects creative impetus with the readiness to tread new paths and combines the need to set your own accents with an open, spacious sense of style. Baffles and wall absorbers from the OWA FreeStyle series transport this feeling into the spatial realm. The combination possibilities are simply inexhaustible with the extra dimensions of horizontal, vertical or even trapezoidal planes. Thanks to the adjustable suspension, FreeStyle baffles hang from thin wires kept “free” from the ceiling and give the ceiling area, and along with it, the entire room, an entirely unique and very impressive character.

FreeStyle baffles – Wire suspension

Colours see page 50 and 51.

FreeStyle baffles

All edges **3**

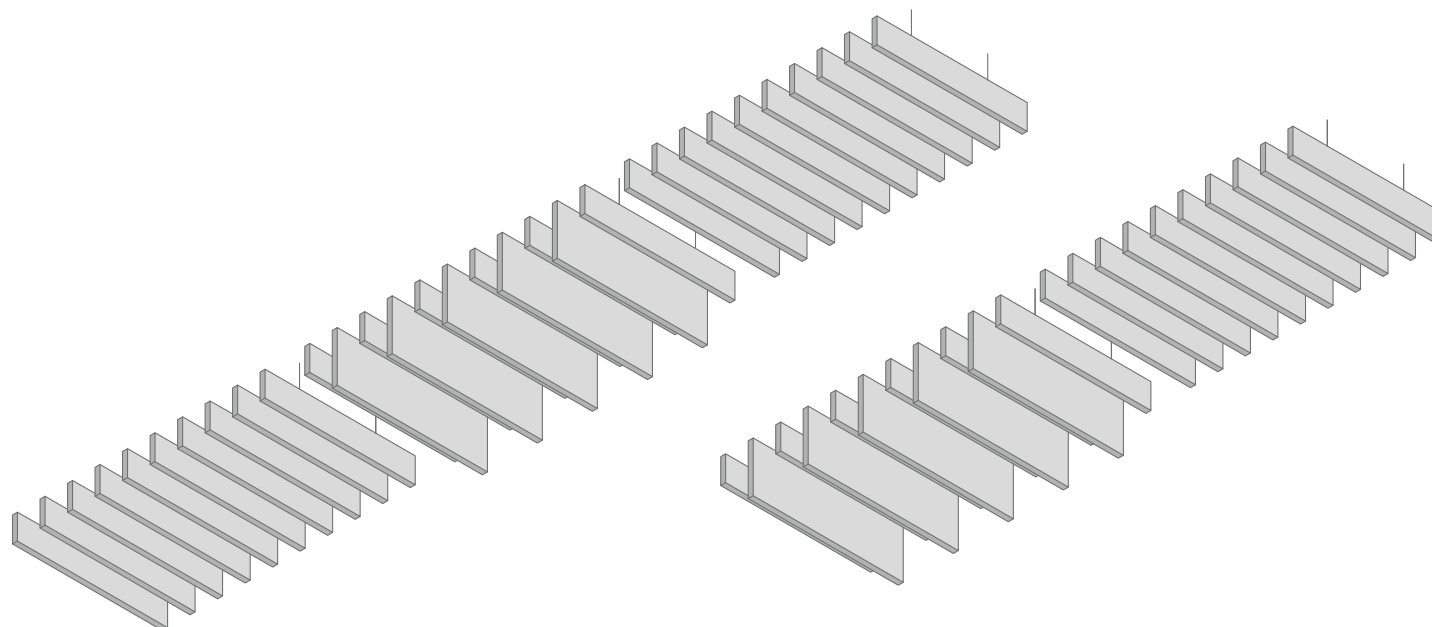
	Length	Height	Thickness	Part no.	Colour fabric	Units/pack	α_w /NRC	Del. Cat.
FreeStyle S	1200 mm	200 mm	40 mm	on request	coloured fabric	6	0.60/0.70	D
	1200 mm	200 mm	40 mm	00076308	fleece covered white	6	0.60/0.70	D
FreeStyle M	1200 mm	400 mm	40 mm	on request	coloured fabric	3	0.60/0.70	D
	1200 mm	400 mm	40 mm	00076639	fleece covered white	3	0.60/0.70	D
FreeStyle L	1200 mm	600 mm	40 mm	on request	coloured fabric	2	0.60/0.70	D
	1200 mm	600 mm	40 mm	00076796	fleece covered white	2	0.60/0.70	D

Special formats/special shapes on request.
See brochure no. 1588 e FreeStyle

Fitting set for wire suspension

Component description/dimension	Part no.
Wire hanger with eye, hook with safety catch, steel rope, length 1500 mm, ceiling fastener M6, set of 2	00074839

Please order one fitting set per baffle.





Acoustic, design and colour.
Feel free to create your own style.

FreeStyle Lamellen with system S 3

FreeStyle – it connects creative impetus with the readiness to tread new paths and combines the need to set your own accents with an open, spacious sense of style. Baffles and wall absorbers from the OWA FreeStyle series transport this feeling into the spatial realm. The combination possibilities are simply inexhaustible with the extra dimensions of horizontal, vertical or even trapezoidal planes. Thanks to the suspension option on the DIN rail no. 45 the FreeStyle slats hover directly under the ceiling and give a ceiling in the S 3 system and with it the entire room a very unique, very impressive character.

FreeStyle baffles – with System S 3

Colours see page 50 and 51.

FreeStyle baffles

Lk / Sk

3

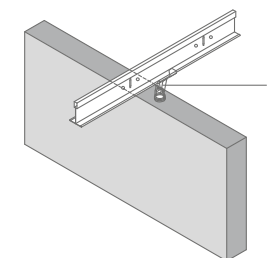
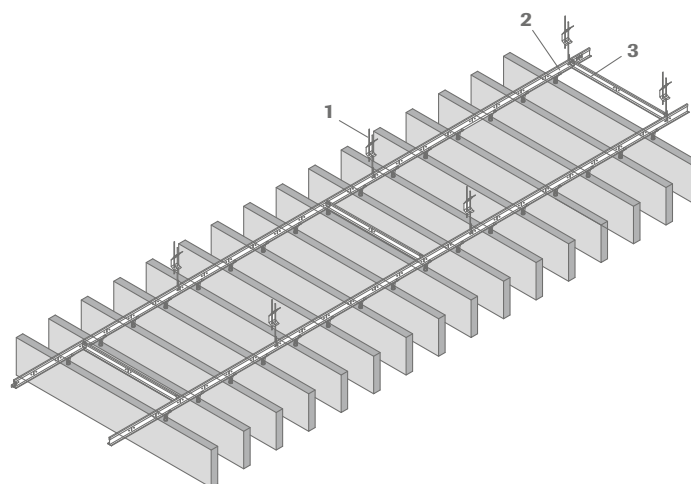
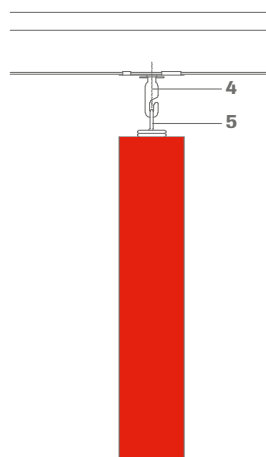
	Length	Height	Thickness	vPart no.	Colour fabric	Units/pack	α_w /NRC	Del. Cat.
FreeStyle S	1200 mm	200 mm	40 mm	on request	coloured fabric	6	0,60 / 0,70	D
	1200 mm	200 mm	40 mm	00076308	fleece covered white	6	0,60 / 0,70	D
FreeStyle M	1200 mm	400 mm	40 mm	on request	coloured fabric	3	0,60 / 0,70	D
	1200 mm	400 mm	40 mm	00076639	fleece covered white	3	0,60 / 0,70	D
FreeStyle L	1200 mm	600 mm	40 mm	on request	coloured fabric	2	0,60 / 0,70	D
	1200 mm	600 mm	40 mm	00076796	fleece covered white	2	0,60 / 0,70	D

Special formats/special shapes on request.
See brochure no. 1588 e FreeStyle

Fitting set with System S 3

	Product no.	Product/component description	Part no.	Units/pack
1	12 / ... / 2	Adjustable hanger with double tension spring diameter: 4 mm, maximum load: 0,25 KN, max. range of extension: 270 mm a wire overhang of at least 15 mm must be provided		100 pieces
2	45	Main tee, height: 38 mm, width: 24 mm length: 3750 mm, visible side: white		25 pieces
3	46	Cross tee, height: 32 mm, width: 24 mm length: 625 mm, visible side: white		75 pieces
4/5		Fixation set for system S 3 consists of 2 pieces of screw terminals with hook and 2 pieces of spiral hangers	00077389	2 pieces

Please order one fitting set per baffle.



I C O 2
N I C 0
A W A 1
R D S 8INNOVATIVE
ARCHITECTURE

best of best

Limitless freedom for your own style

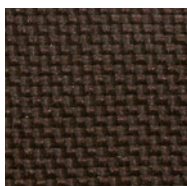
FreeStyle wall absorber

Numerous combination possibilities – good acoustics: With FreeStyle wall absorbers from OWA, it is possible to create individual, unique interior landscapes. In different sizes and shapes, they can transform any wall into a 3D surface and that way literally create a “moving” room experience! The carefully colour-coordinated and geometrically-matched elements of the FreeStyle collection signify this high degree of individual design freedom. A special feature of the FreeStyle series is its good absorption capability. Noise and sounds are swallowed with an absorption level of up to 90 %. Good design comes together with effective control of reverberation, especially important in potentially noisy areas such as in restaurants and open-plan offices in order to realise good speech intelligibility.

FreeStyle wall absorber



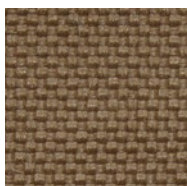
No. 52827 red



No. 52829 dark brown



No. 52836 light beige



No. 52837 middle brown

Other colours see page 50 and 51.

FreeStyle wall absorber

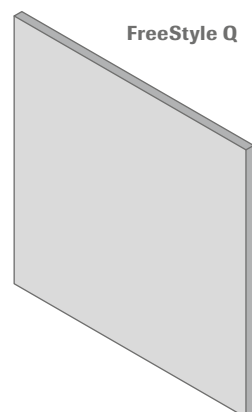
	Type	Length	Width	Thickness	Part no.	Colour fabric	Units/pack	α_w /NRC	Del. Cat.
FreeStyle TR	Trapeze right	1200 mm	400/200 mm	40/20 mm	00074950	No. 52827 red	4	0.90/0.85	D
		1200 mm	400/200 mm	40/20 mm	00074976	No. 52829 dark brown	4	0.90/0.85	D
		1200 mm	400/200 mm	40/20 mm	00074980	No. 52836 light beige	4	0.90/0.85	D
		1200 mm	400/200 mm	40/20 mm	00074982	No. 52837 middle brown	4	0.90/0.85	D
FreeStyle TL	Trapeze left	1200 mm	400/200 mm	40/20 mm	00074983	No. 52827 red	4	0.90/0.85	D
		1200 mm	400/200 mm	40/20 mm	00074984	No. 52829 dark brown	4	0.90/0.85	D
		1200 mm	400/200 mm	40/20 mm	00074985	No. 52836 light beige	4	0.90/0.85	D
		1200 mm	400/200 mm	40/20 mm	00074986	No. 52837 middle brown	4	0.90/0.85	D
FreeStyle R		1200 mm	600 mm	40 mm	00074987	No. 52827 red	2	0.90/0.85	D
		1200 mm	600 mm	40 mm	00074988	No. 52829 dark brown	2	0.90/0.85	D
		1200 mm	600 mm	40 mm	00074989	No. 52836 light beige	2	0.90/0.85	D
		1200 mm	600 mm	40 mm	00074990	No. 52837 middle brown	2	0.90/0.85	D
FreeStyle Q		1200 mm	1200 mm	40 mm	00074991	No. 52827 red	1	0.90/0.85	D
		1200 mm	1200 mm	40 mm	00074992	No. 52829 dark brown	1	0.90/0.85	D
		1200 mm	1200 mm	40 mm	00074993	No. 52836 light beige	1	0.90/0.85	D
		1200 mm	1200 mm	40 mm	00074994	No. 52837 middle brown	1	0.90/0.85	D
FreeStyle QS		600 mm	600 mm	40/20 mm	00074995	No. 52827 red	8	0.90/0.85	D
		600 mm	600 mm	40/20 mm	00074996	No. 52829 dark brown	8	0.90/0.85	D
		600 mm	600 mm	40/20 mm	00074997	No. 52836 light beige	8	0.90/0.85	D
		600 mm	600 mm	40/20 mm	00074998	No. 52837 middle brown	8	0.90/0.85	D

Special formats/special shapes on request.
See brochure no. 1588 e FreeStyle

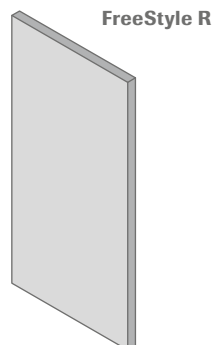
Fitting set

Component description/dimension	Part no.
Wall installation set of 4 piece for FreeStyle Q und R set contains 4 pieces of wall claws	00073602
Wall installation set of 4 piece for FreeStyle TR, TL und QS set contains 2 pieces of wall claws 60 x 52 x 15 mm and 2 pieces of wall claws 88 x 52 x 35 mm	00075611

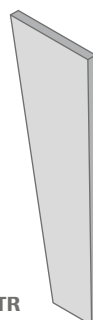
Please order one fitting set per wall absorber.



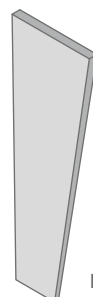
FreeStyle Q



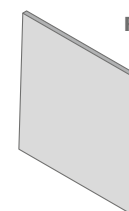
FreeStyle R



FreeStyle TR



FreeStyle TL



FreeStyle QS

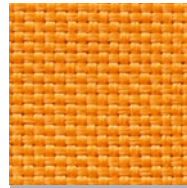
Coloured fabric for canopies Curve | Selecta | FreeStyle



52826 | dark red



52827 | red



52828 | orange



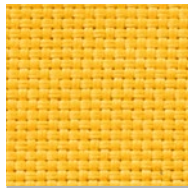
52829 | dark brown



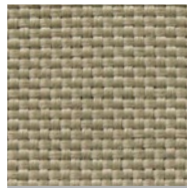
52830 | black



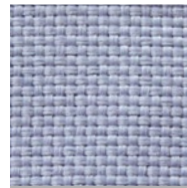
52831 | dark grey



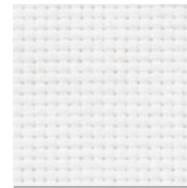
52832 | yellow



52833 | green-grey



52834 | light grey



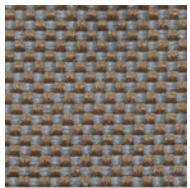
52835 | white



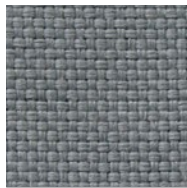
52836 | light beige



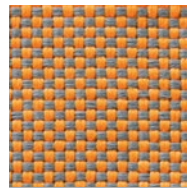
52837 | medium brown



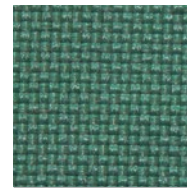
52838 | mottled brown



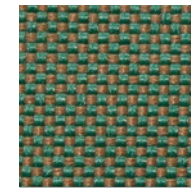
52839 | grey



52840 | mottled orange



52841 | petrol

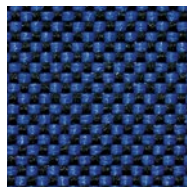


52842 | mottled green

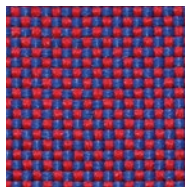


52843 | blue

Coloured fabric for canopies Curve | Selecta | FreeStyle



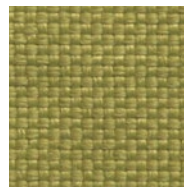
52844 | midnight blue



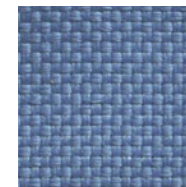
52845 | violet



55244 | stone grey



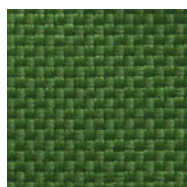
55245 | olive green



55246 | light blue



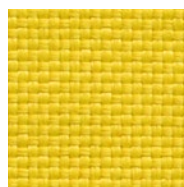
55247 | mint green



55248 | dark green



55249 | grey-blue



55250 | light yellow

Technical specifications

Composition	100 % polyester, FR ATY yarn
Weave	Panama
Weight	320 g/m ²
Width	1500 mm (+/- 50 mm)

General information

Dimensions

The dimensions for the systems shown in this brochure are based on the „module“ size and actual tile measurements may differ.

Designs

Some designs shown in this brochure have been enlarged for clarity. Please ensure you are happy with your selection or if in any doubt request a sample to confirm it meets your requirements.

Colour

Tiles can be painted on site (see OWA-Installation Guide no. 801 E) or off-site by others but variations to shade and or sheen may occur that are due to factors outside our control. Where the we supply any painted, printed or other coloured products it is imperative that material from different batches/production times are not mixed together in the same areas.

Tiles and suspension systems

The „OWAconsult collection“ tiles and ceiling systems are part of the OWAacoustic premium and OWAconstruct product range portfolio and the test results and/or certification regarding fire resistance, reaction to fire classifications and acoustic performance levels are applicable.

Components

All components shown in this brochure have been carefully selected for use with the OWAconsult collection and should not be replaced or substituted with non OWA products without independent verification that they are compatible. Where the ceiling is to provide fire resistance, sound absorption, airborne sound reduction or any other tested criteria the certification will be invalidated if the OWA components used in the test are not used in the installation. For more information on fire and the construction tested using OWA ceilings please see our brochure 9500 eu e.

All products are sold in carton, pack or bundle quantities only.

Delivery categories

- A Available within 8 days. Delivery period subject to delivery location.
- B Available within 3 weeks. Delivery period subject to delivery location.
- C Available within 3-6 weeks. Delivery period subject to delivery location.
Minimum order of 100 m².
- D On request.

Legal notice

Colours and textures may differ to those shown in this brochure due to the reproduction process. To ensure the product meets your requirements it is recommended that final selection is based on a physical sample and that the client verifies that it is suitable for the intended use. All technical information shown here and in all other OWA publication is based on tests carried out under laboratory conditions.

The information provided in this brochure is based on the standards and data available at the time of publication. Any performance, warranties or guarantees provided, expressed or implied, are subject to the exclusive use of OWA components and the installation of those components in accordance with our recommendations. Failure to adhere to these conditions will result in the invalidation of any performance claims, warranties or guarantees and rejection of any liability. OWA reserves the right to make any technical improvements in the products, systems or services without prior notice. All goods and services are supplied in accordance with our current Terms and Conditions of Sale. (E&OE)

Import regulations

Due to import regulations some items shown in this catalogue are not available for your country. Please check with the OWA sales team.

OWAconsult consulting service

The OWAconsult product hotline provides access to our team of experts who can provide free information and answers to any questions you have on the OWAconsult collection.

Hotline number +49 93 73 . 2 01- 4 44

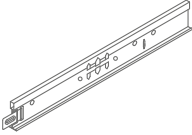
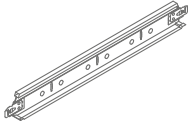
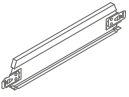
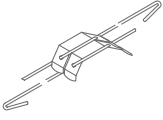
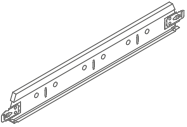
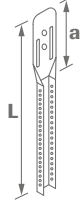
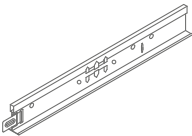
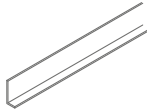
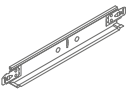
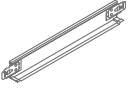
E-Mail: info@owaconsult.de

In addition to free telephone advice the OWAconsult consulting service can prepare reflected ceiling plans, ceiling details and create graphic representation for OWAconsult collection products as well as provide details of quantities required for the project.

The chargeable rates for these services, along with the provision of acoustic calculations (RT) training courses, fire resistance (expert opinions), CAD drawings, light calculations and other technical services are calculated at cost and are available from the OWAconsult service on request.

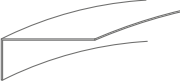
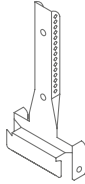
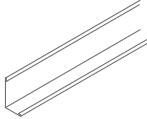
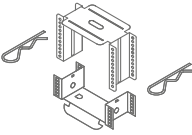

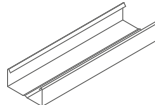

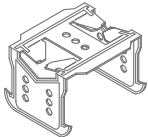

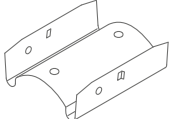
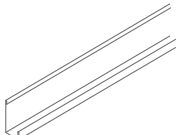

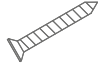
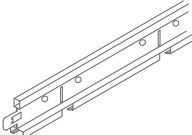
The information in this brochure is up-to-date at the time of publication. Errors and mistakes excepted. Please contact our competence team OWAconsult for specific advice (see contact details above).

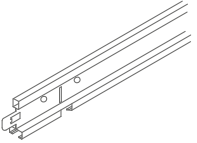
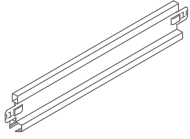
List of accessories

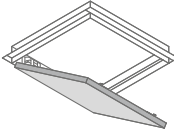
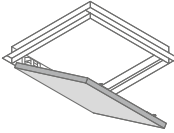
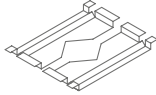
	No.	Product/component description	Units/pack		No.	Product/component description	Units/pack
	cliq-15-MR	Main tee height: 38 mm width: 15 mm visible side: white length: 3000 mm length: 3125 mm	20 pieces 20 pieces		cliq-24-CT	Cross tee long, joggled height: 32 mm width: 24 mm visible side: white length: 1200 mm length: 1250 mm	60 pieces 60 pieces
	cliq-15-CT	Cross tee short, joggled height: 38 mm width: 15 mm visible side: white length: 300 mm length: 600 mm length: 625 mm	60 pieces 60 pieces 60 pieces		12/30/2 *	Adjustable hanger with double tension spring diameter: 4 mm maximum load: 0.25 KN max. range of extension: 270 mm, a wire overhang of at least 15 mm must be provided	100 pieces
	cliq-15-CT	Cross tee long, joggled height: 38 mm width: 15 mm visible side: white length: 1200 mm length: 1250 mm	60 pieces 60 pieces		16 / 15 16 / 20 16 / 30 16 / 40 16 / 50 16 / 60 16 / 70 16 / 80 16 / 90 16 / 100 16 / 110 16 / 120 16 / 130 16 / 140 16 / 150 16 / 160 16 / 170 16 / 180 16 / 190 16 / 200	Nonius hanger extension suitable for no.17/..., 79/..., 09/45 or 09/10, galvanized, longer extensions are available on request a = approx. 55 mm L = approx. 140 mm, 170 mm punched L = approx. 190 mm, 170 mm punched L = approx. 290 mm, 170 mm punched L = approx. 390 mm, 170 mm punched L = approx. 490 mm, 170 mm punched L = approx. 590 mm, 170 mm punched L = approx. 690 mm, 170 mm punched L = approx. 790 mm, 170 mm punched L = approx. 890 mm, 170 mm punched L = approx. 990 mm, 170 mm punched L = approx. 1090 mm, 200 mm punched L = approx. 1190 mm, 200 mm punched L = approx. 1290 mm, 200 mm punched L = approx. 1390 mm, 200 mm punched L = approx. 1490 mm, 200 mm punched L = approx. 1590 mm, 200 mm punched L = approx. 1690 mm, 200 mm punched L = approx. 1790 mm, 200 mm punched L = approx. 1890 mm, 200 mm punched L = approx. 1990 mm, 200 mm punched	100 pieces 100 pieces 100 pieces 100 pieces 100 pieces 100 pieces 100 pieces 100 pieces 100 pieces 100 pieces 25 pieces 25 pieces 25 pieces 25 pieces 25 pieces 25 pieces 25 pieces 25 pieces 25 pieces 25 pieces
	cliq-24-MR	Main tee height: 38 mm width: 24 mm visible side: white length: 3600 mm length: 3750 mm	20 pieces 20 pieces		37	L profile for Trapeze 1 length: 1250 mm trim onsite	50 pieces
	cliq-24-CT	Cross tee short, joggled height: 25 mm width: 24 mm visible side: white length: 600 mm length: 625 mm	60 pieces 60 pieces				
	cliq-24-CT	Cross tee short, joggled height: 25 mm width: 24 mm visible side: white length: 300 mm length: 312.5 mm	60 pieces 60 pieces				

	No.	Product/component description	Units/pack
	42 / 15	Contura-blocks height: 8 mm width: 15 mm total width: 24 mm white	100 pieces
	45	Main tee height: 38 mm width: 24 mm visible side: white length: 3700 mm length: 3750 mm visible side: Bamboo natural colour length: 3700 mm length: 3750 mm visible side: Bamboo dark length: 3700 mm length: 3750 mm	25 pieces 25 pieces 25 pieces 25 pieces 25 pieces 25 pieces
	46	Cross tee height: 32 mm width: 24 mm visible side: white length: 600 mm length: 625 mm visible side: Bamboo natural colour length: 600 mm length: 625 mm visible side: Bamboo dark length: 600 mm length: 625 mm	75 pieces 75 pieces 75 pieces 75 pieces 75 pieces 75 pieces

	No.	Product/component description	Units/pack
	47	Cross tee height: 32 mm width: 24 mm visible side: white length: 1200 mm length: 1250 mm visible side: Bamboo natural colour length: 1200 mm length: 1250 mm visible side: Bamboo dark length: 1200 mm length: 1250 mm	50 pieces 50 pieces 50 pieces 50 pieces 50 pieces 50 pieces
	50G	Wall angle height: 24 mm width: 19 mm length: 3050 mm visible side: white visible side: Bamboo natural colour visible side: Bamboo dark	40 pieces 40 pieces 40 pieces
	50 / 15G	Shadow wall angle height: 33 mm visible width: 15 mm total width: 30 mm length: 3050 mm visible side: white	35 pieces
	50 / 19	Shadow wall angle height: 38 mm total width: 30 mm, visible width: 15 mm length: 3050 mm visible side: white visible side: Bamboo natural colour visible side: Bamboo dark	15 pieces 15 pieces 15 pieces
	51 / 22	Wall angle height: 50 mm width: 22 mm thickness: 0.7 mm length: 3000 mm visible side: white	10 pieces

	No.	Product/component description	Units/pack		No.	Product/component description	Units/pack
	51/22-0	Curved wall profile column half-ring height: 50 mm width: 22 mm thickness: 2.0 mm length: variable visible side: white	bulk-packed		2001	Nonius hanger lower part for CD profile 60 x 27 mm length: 130 mm maximum load: 0.40 kN galvanized	100 pieces
	51/32G	Wall angle height: 32 mm width: 19 mm thickness: 0.5 mm length: 3000 mm visible side: white	30 pieces		2002	Adjustable direct hanger adjustment range: 30 - 75 mm galvanized incl. 2 safety pins	100 pieces
	76	Safety pin for Nonius hanger length: approx. 70 mm thickness: 3 mm galvanized	100 pieces		2003	CD profile 60 x 27 mm length: 4000 mm	12 pieces
	99/11/19 99/11/21 99/11/22 99/11/23	Contura plane for reforming contura edges on perimeter tiles Contura plane for contura edge K 15, 15 mm boards for contura edge K 15, 20 mm boards for contura edge K 15b, 15 mm boards for contura edge K 15b, 20 mm boards	1 piece 1 piece 1 piece 1 piece		2004	Cross connector height: 40 mm width: 60 mm, depth: 45 mm galvanized	100 pieces
	819	Hold down clip for no. 45, 46, 47 corrosion-resistant for fixing the tile around the edge 4c, System S 19	500 pieces		2005	CD profile connector height: 25 mm width: 60 mm length: 80 mm galvanized	100 pieces
	1456	Wall angle height: 32 mm width: 15 mm length: 3000 mm upstand: 7.5 mm visible side: white	10 pieces		2008	Screws for no. 51/22	bulk-packed
					2019	Plate screw	500 pieces
					3500	Main tee height: 38 mm width: 14.3 mm length: 3000 mm cross tee slots at 600 mm centres exterior: white, recess: white	20 pieces

	No.	Product/component description	Units/pack
	3501	Main tee height: 38 mm width: 14.3 mm length: 3600 mm cross tee slots at 1200 mm centres exterior: white, recess: white	20 pieces
	3502	Main tee slots at 600 mm without press cut height: 38 mm width: 14.3 mm length: 3000 mm exterior: white, recess: white	20 pieces
	3511	Cross tee height: 38 mm width: 14.3 mm length: 300 mm exterior: white, inside: white	60 pieces
	3512	Cross tee height: 38 mm width: 14.3 mm length: 600 mm exterior: white, recess: white	60 pieces
	3514	Cross tee height: 38 mm width: 14.3 mm length: 1200 mm exterior: white, recess: white, with central cross tee slot	60 pieces
	3524	Cross tee height: 38 mm width: 14.3 mm, length: 1200 mm exterior: white, recess: white, without central cross tee slot	60 pieces
	4437	Fire resistant tape 12 x 1.5 mm (where fire resistance is required)	25 m roll

	No.	Product/component description	Units/pack
	8031 / 9	Comfort access trap for OWAplan ceilings 340 x 340 mm (external dimension) Attention: additional suspension required (see OWAplan Comfort access trap installation guide)	bulk-packed
	8031 / 10	Comfort access trap for OWAplan ceilings 540 x 540 mm (external dimension) Attention: additional suspension required (see OWAplan Comfort access trap installation guide)	bulk-packed
	8069 / 6	Pattress for OWAplan consisting of frame components (2 pieces) length: 340 mm	bulk-packed

List of packaging

Tile type	Dimensions (mm)	Thickness (mm)	Package content (pieces)	Package content (m ²)	Package weight (approx. kg)	Packaging
Standard formats	600 x 600 overall	15	10	3.60	19	Foil
	600 x 600 edge 3	15	12	4.32	22	Foil
	625 x 625 overall	15	10	3.90	20	Foil
	625 x 625 edge 3	15	12	4.69	24	Foil
		20	8	3.12	20	Foil
	1200 x 150 1200 x 300 1200 x 600 edge 15b/10	20	10	1,80	9	Foil
			10	3,60	18	Foil
			6	4,32	21,6	Foil
	1200 x 600	15	10	5,76	30	Foil
		20	8	5,76	39	Foil
1250 x 625	15	10	7,80	41	Foil	
	20	8	6,25	42	Foil	
Rectangular formats	1250 x 312.5	15	10	3.60	19	Foil
		20	8	2.88	20	Foil
Large format tiles	1200 x 1200	20	6	8.64	58	Foil

* on one pallet

Notes

Terms and conditions of sale, delivery and payment

1. General, offer, order and conclusion of contract

(1) All offers of the seller, the acceptance of offers and all deliveries and services are carried out exclusively on the basis of the following terms and conditions. These terms and conditions also apply to any and all future and similar business transactions with the purchaser. Deviating purchase terms of the purchaser are hereby expressly disacknowledged. They are only valid if the seller acknowledges them in writing.

(2) All orders, subsidiary agreements, reservations, changes or amendments to a contract require written form to become valid. Oral or written agreements deviating from contract conditions and/or order confirmations of the seller require for their validity the written consent of the seller's statutory representatives or prokurists [holders of special power of attorney] in a number fit to represent the seller. The seller's office and field service staff is not authorised to make any deviating agreements or to grant any special conditions.

(3) Offers of the seller are subject to change without notice. A sales, delivery or any other contract is only effective upon delivery of the order confirmation or upon delivering of the goods to the purchaser.

(4) All information on products of the seller, in particular, but not limited to, illustrations, drawings, measurements and service information contained in offers and publications, are to be seen as approximate average values. They are not guaranteed qualities but descriptions of the goods. This also applies to specimens and samples. Variations customary in this particular line of business are permissible unless in the order confirmation specifications are marked as binding. Excess or short deliveries, which are taken into account in the invoice, may be carried out to the extent of 10 % as customary in this line of business.

(5) The seller reserves its title and copyright in any illustrations, drawings, calculations, other documents as well as in any specimen and sample. They may be made accessible to third parties only upon express consent of the seller.

(6) If the seller advises the purchaser free of charge no contractual or other legal relation comes into existence between the seller and the purchaser. The same applies, if the seller provides information or recommendations to the purchaser free of charge. A deviating agreement must be in writing to be effective. Implicit contracts on advice, information or recommendations are excluded.

(7) Advice, recommendations or information provided to the purchaser in the course of contract negotiations or in the process of initiating a contract or an order are binding for the seller only if they are confirmed by the seller at least in the form of a text.

2. Pricing and packaging

(1) The prices on the day of delivery as stated from time to time in the seller's price lists shall apply unless a fixed price was explicitly agreed. The prices are understood to be net and without any VAT and discount. The fixed prices shall be valid for four months from the conclusion of the contract. If longer delivery dates have been agreed, or if the purchaser is responsible for an actual delay in delivery and if, in the meantime, there have been changes in material and energy costs, wages or any other general production costs, the sales prices generally valid at the time of delivery shall apply.

(2) All prices are understood to be ex works or ex stocks. Packaging material is charged at cost price and not taken back, with the exception of recyclable pallets which will be taken back without refund.

(3) To the extent that free-of-charge deliveries have been agreed, all prices are understood to be in EUR per sales quantity unit plus statutory VAT, not unloaded, free of charge ex stock or ex passable construction site on mainland Germany. A flat-rate freight will be charged for small quantities. A flat-rate for setup costs will be charged for small quantities of commissioned goods. The valid flat-rates are listed in the current price-lists.

(4) The purchaser shall pay, in advance and without any cash discount, transshipment fees, freight charges and duty according to the prices valid on the day of conclusion of contract. Any changes in transshipment costs, freight charges and duty shall be credited or debited to the purchaser.

3. Payments

(1) Payments are due immediately after invoicing, in cash, without any discount and franco domicile of the seller. Discounts for cash payments require explicit agreement. Each contracting party is entitled to prove any damage due to delay in performance which exceeds the statutory scope.

(2) Bills of exchange and cheques shall be accepted only upon explicit agreement and on account of performance. Discount, collection and other charges are at the purchaser's expense.

(3) If payment in a foreign currency is agreed, the purchaser is obliged to pay in the currency agreed upon. If, between conclusion of the contract and receipt of payment the foreign currency upon which the purchase price is based, has depreciated in comparison with the domestic currency, the purchaser has to settle the differential amount.

(4) The purchaser can only set off undisputed or res judicata claims, or claim right of retention therefore. Any retention of payment is excluded if the claim to retention is based on a different contractual relation.

(5) All claims shall fall due upon suspension of payment, the application for the opening of insolvency proceedings, or the opening of insolvency proceedings over the assets of the purchaser. In such event any and all discounts and allowances shall be inapplicable. If after the conclusion of the contract it becomes apparent that financial or economic situation of the purchaser does not allow a granting of credits or payment periods, the seller may demand collateral securities to be provided or the advance payment of all claims, and refuse fulfilment until such collateral security is provided or payment is made. If collateral securities and/or the advance payment are not provided within the required period, the seller may withdraw from the contract or claim damages for non-performance.

4. Delivery

(1) If possible, the seller shall adhere to the terms specified for delivery and service. Any indication of time shall, however, only be seen as approximations.

(2) The delivery periods shall commence with the date of the seller's order confirmation. They shall be deemed adhered to upon notification of the goods being ready for dispatch if the dispatch is not possible for reasons beyond the seller's control. If the purchaser picks the goods up himself, the delivery periods and dates shall refer to the point of time for which the seller has declared the goods ready for dispatch. The agreed delivery periods and dates shall be extended – without prejudice to the rights of the seller resulting from the purchaser's default – by the period of time the purchaser is in default based on this or any other contract. The right to self-delivery shall be reserved.

(3) Together with the delivery the seller will issue the purchaser an invoice for the goods delivered. If the purchaser does not receive the invoice without undue delay after delivery, it is obliged to send the seller a reminder within 8 days after receipt of delivery. If this is not done, no deductions for cash discount and no other payment reductions may be made.

(4) If the seller is in default, the purchaser shall allow the seller a reasonable extension period of at least 30 days. After the expiry of the extension period, the purchaser may withdraw from the contract unless the goods were declared ready for dispatch before expiry of the extension period.

(5) In the case of war, strike, lock-out, a shortage of raw materials or energy, disruptions of operation and traffic, restraints of rulers as well as in any other cases of force majeure regardless to whether they concern the seller, the seller's suppliers or carriers and for which the seller is not responsible and which impair or prevent the business concerned from being carried out, the delivery period of the seller shall be extended by the period of the delay plus a reasonable start-up time. The seller shall notify the purchaser without undue delay about such kind of delay. If, by the aforementioned circumstances, delivery or services are made impossible or cannot reasonably be expected from the seller, the seller shall be entitled to withdraw from the contract in part or in whole, without the purchaser being entitled to asset claims for damages because of such withdrawal.

5. Dispatch and passing of risk

(1) Dispatch and transport are carried out at the expense and risk of the purchaser. Goods that have been declared ready for dispatch by the agreed date shall be called for immediately. Otherwise the seller is entitled to store them at its own discretion at the cost and risk of the purchaser and to invoice them as if they had been delivered.

(2) Upon handing the goods over to the forwarder or the carrier, however at the latest upon the goods leaving the plant or the warehouse, the risk – including the risk of seizure – shall pass to the purchaser. This also applies if partial deliveries are made, or if the seller provides any other additional services, e.g. payment of the forwarding or delivery costs.

6. Discovery of defects and warranty

(1) After receipt of the goods the purchaser shall examine the goods without undue delay, but at the latest prior to any installation or processing, and notify the seller of any defects in writing. The purchaser's duty to examine applies to the entire consignment. If no complaint is made in time with respect to any defects of goods the delivery shall be considered performed in accordance with the contract. The same applies to any wrong deliveries as well as any variations in quantity not covered by clause 1.(4).

(2) The burden of proof that the goods were already defective at the time the risk passed to the purchaser rests on the purchaser. In particular, but not limited to, this applies for defects not notified after receipt of the goods without undue delay.

(3) Guarantees or taking over of a procurement risk have to be expressly stipulated. Features which the purchaser may expect by virtue of public statements concerning the good's features that are made by the seller or persons assisting him, in particular in advertisements or in connection with labelling, do not belong to the agreed quality, unless they are expressly stipulated. Stipulations according to this subparagraph (2) must be in writing to be effective.

(4) Irrelevant defects, particularly minor variations in colour and structure as well as immaterial variations in length, width and thickness of the material delivered do not entitle to any notification of defects.

(5) In the case of properly notified, justified defects, the seller in its free discretion shall be entitled to either supply replacement free of charge or rectify the defects. Should the supply of a replacement or the rectification of a defect fail twice, the purchaser shall be entitled to reduce to purchase price or to withdraw from the contract. A purchaser withdrawing from the contract the event of deterioration, loss or destruction of the goods to be returned to the seller shall compensate the seller for lost value also in cases where neither the purchaser nor the seller is responsible for such deterioration, loss or destruction. With regard to the assertion of claims for damages due to defects it is referred to the statutory provisions without prejudice to the exclusion and limitation of liability according to clause 7.

(6) The appropriate storage and treatment of the goods delivered is the prerequisite for sustaining the purchaser's warranty claims. The seller shall be given the opportunity to inspect the goods complained about. If such opportunity is not granted and if on request of the seller the purchaser does not make the goods available to the seller without undue delay, any claims based on defects shall cease to exist.

(7) If the goods delivered have been used consistent with their customary use for a building and such goods have caused the defectiveness of such building the warranty period shall be five years from the date of handing over of the goods. In all other cases the warranty period shall be one year from the time of handing over of the goods. If a defect has been fraudulently concealed, the statutory warranty period shall apply.

(8) The forwarder shall be notified of any damage to goods in transit. In this respect, the notification duties specified in the General German Forwarder's Conditions [Allgemeine Deutsche Speditionsbedingungen] (ADSp) shall apply.

7. Liability

(1) For injury to life, body and health, the seller shall be liable in the case of slight negligence. Likewise, the seller shall be liable in the case of slight negligence for the violation of contractual obligations which are indispensable for achieving the contractual objective (cardinal obligations). In all other cases of contractual and extra-contractual liability the seller shall be responsible only for wilful intent and gross negligence. This applies in particular for the case of damages caused by a violation of duties or delay in performance (default), damages in lieu of performance, reimbursement of expenditures in vain as well as in cases of tort or product liability – except for any liability under mandatory product liability laws. Moreover, where a guarantee or procurement risk is assumed, the seller shall be liable only in the case of wilful intent or gross negligence, unless otherwise expressly stipulated in the contractual provisions.

(2) The seller is liable only for contract-typical and foreseeable damage. This liability limitation shall not apply if statutory representatives or executive staff of the seller have acted with wilful intent or gross negligence or in the case of liability for injury to life, body or health.

(3) With the exception of liability due to wilful intent or injury to life, body or health and unless claims for damages fall under the statute of limitations within a shorter period by operation of law or based on other provisions of the agreement claims for damages shall fall under the statute of limitations within two (2) years from the time the purchaser has gained knowledge of the circumstances establishing the claim and of the seller as obligor of damages or in the absence of gross negligence should have gained knowledge thereof. In all other cases Sec. 199 para. 2 and 3 of the Civil Code (BGB) shall apply.

(4) The seller shall be liable for advice, recommendations or information only if the purchaser and the seller have entered into a contract on such advice, recommendation or information, or if the seller is liable for the advice, the recommendation or the information under aspect of tort or culpa in contrahendo. Moreover is the seller's liability for advice, recommendations and information regulated by clauses 7.(1) to (3)

(5) The liability provisions pursuant to clause 7. (1) to (4) also apply in favour of employees of the seller as well as of affiliate companies and subsidiaries.

8. Reservation of title

(1) The seller reserves the ownership of all goods delivered by it until the purchaser has settled all (also future) claims that have arisen from the business relationship. If deliveries are carried out by current account, the reservation of title shall serve as a security for the accounting balance.

(2) The purchaser shall be entitled to dispose of the purchased goods within the limits of an orderly course of business. All claims resulting from the sale of goods in which the seller has retained its ownership (hereinafter referred to as "Goods Subject to Retention of Ownership") including any and all claims for accounting balances resulting from current accounts shall be assigned already now

and in total by the purchaser to the seller. Other than regulated in the preceding sentence claims resulting from the sale of Goods Subject to Retention of Ownership together with third-party goods at a total price are assigned to the seller only in a portion in the amount of the invoice value of the Goods Subject to Retention of Ownership. Likewise, any claims against insurance companies or third parties resulting from damage to Goods Subject to Retention of Ownership shall hereby be assigned to the seller.

(3) The combination, processing, assembly and any other way of utilisation of Goods Subject to Retention of Ownership is effected for the seller, but without any obligations for it. If Goods Subject to Retention of Ownership are processed, combined or mixed with goods possessed by a third party, the seller is entitled to joint ownership of the new object or the mixed stock in a proportion of the invoice value of the Goods Subject to Retention of Ownership to the invoice value of the other utilised goods. If the ownership of the seller in the Goods Subject to Retention of Ownership ceases to exist through combination or mixture it is already now agreed that the ownership or co-ownership in the uniform object or the uniform stock resulting from such combination or mixture vests in the seller in a proportion according to the invoice value of the Goods Subject to Retention of Ownership. The purchaser shall keep goods in which the seller has co-ownership rights in safe custody for the seller free of charge. Goods being subject to the seller's title or ownership rights as mentioned above shall be considered as Goods Subject to Retention of Ownership within the meaning of clause 8. (1).

(4) The seller revocably authorises the purchaser to collect in its own name claims assigned to the seller on account of the seller. This authorisation can be revoked only if the purchaser does not comply properly with its payment obligations.

(5) If the realisable value of the collateral securities provided to the seller exceeds the claims to be secured by more than 20 %, the seller is, upon the purchaser's request, obliged to release collateral securities of its choice.

(6) If the seller does not comply with its contractual duties, particularly in the event of default in payment, the seller shall have the right to withdraw from the contract and to request that the Goods Subject to Retention of Ownership are returned to the seller. In such an event the seller is entitled to invoice a flat rate of 15 % of the order value for the costs in connection with the return, unless the purchaser proves that the seller had no or less costs because of the return of the goods.

(7) The purchaser is not permitted to pledge or to transfer by way of security Goods Subject to Retention of Ownership until any and all claims of the seller have been settled. In case third parties take hold of Goods Subject to Retention of Title, in particular, but not limited to, in case of a seizure, the purchaser is obliged to make such third party aware of the retention of title in the Goods Subject to Retention of Title, and to notify the seller without undue delay of any seizure, opening of insolvency proceedings or any other legally relevant events which might impair the rights of the seller in the Goods Subject to Retention of Title. In the case of suspension of payment, the Goods Subject to Retention of Title shall, without special solicitation, be singled out and kept at the disposal of the seller.

9. Part performance

The seller is entitled to part performance within a reasonable scope; each part performance shall be seen as independent business transaction.

10. Place of performance and place of jurisdiction

(1) Place of performance for the delivery is the respective loading station. Place of performance for payments is Amorbach.

(2) Place of jurisdiction for any disputes from the contract between the parties, including actions arising from a bill or a cheque, shall be Amorbach to the extent that the purchaser is a merchant, a legal person under public law or a special fund under public law.

(3) For all legal relations between seller and purchaser the laws of the Federal Republic of Germany shall apply. The UN Sales Convention (CISG) as well as any international agreements, even after their adoption into German law, shall not apply.

11. Partial invalidity

If one of the aforementioned provisions or a part thereof should be or become invalid or do not contain a regulation that is required the validity of the remaining provisions shall not be affected. For the event of the invalidity of individual provisions the parties shall agree on a regulation which comes as close as possible to the economic result of the originally intended arrangement.

12. Translation

These terms and conditions of sale, delivery and payment are the translation of the German terms and conditions of sale, delivery and payment. In case of doubt the German version of the terms and conditions of sale, delivery and payment is binding.

(Dated: 2018)

Errors excepted!

Please kindly request the terms and conditions of sale, delivery and payment of your country.



Thinking ahead: OWAconsult

OWAconsult was founded in 2009 as an independent consulting and planning unit of Odenwald Faserplattenwerk GmbH. OWAconsult sees itself as a competence centre for dry interior construction, specialising in room acoustics, fire protection and ceiling systems. OWAconsult invites its customers to keep thinking further, together; to open up new architectural worlds and to breathe life into their visions. A telephone advice hotline offers instant access to our experts.

OWA in Amorbach: Ceiling system manufacturer and acoustics specialist

Odenwald Faserplattenwerk GmbH is a family-run business with around 440 employees. The company is a market leader in mineral ceiling tiles in Germany, and over the decades has grown to become an internationally sought-after provider of system solutions for ceilings. Around 70 % of production is intended for export to around 80 different countries currently. OWA products carry quality and environmental seals from national and international standards and testing institutions.





OWA

Odenwald Faserplattenwerk GmbH

Dr.-F.-A.-Freundt-Straße 3 | 63916 Amorbach | Germany
tel +49 93 73.2 01-0 | info@owa.de
www.owa-ceilings.com

