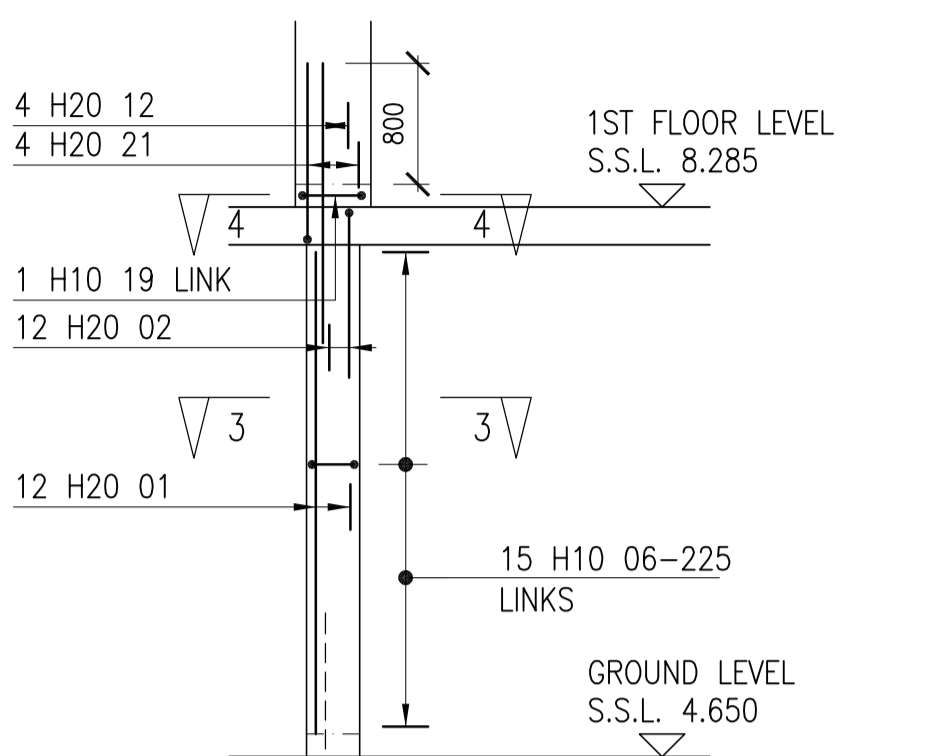
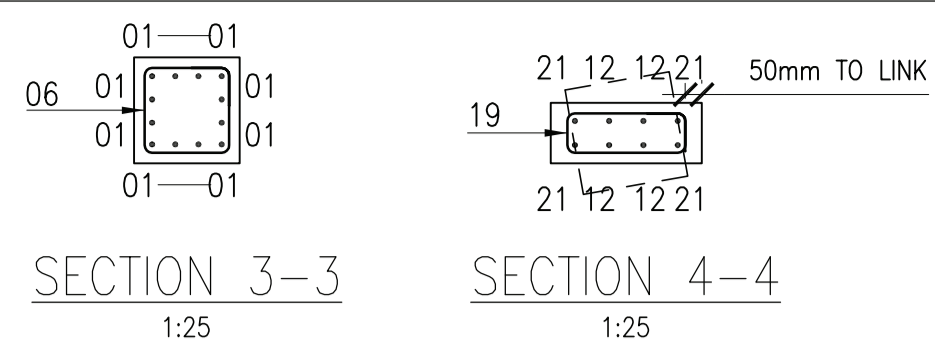
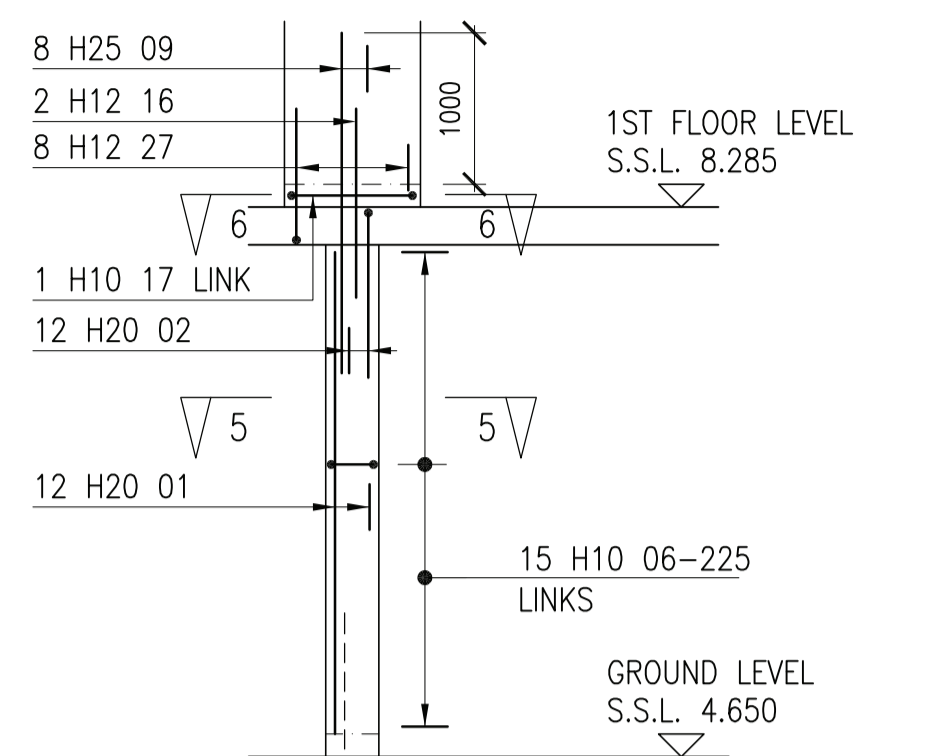
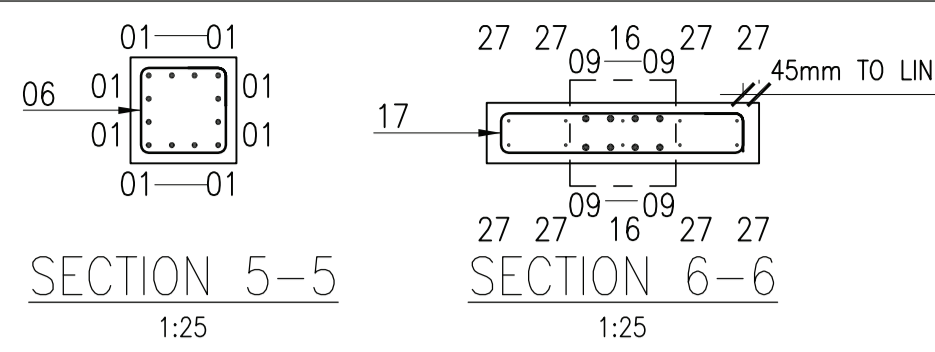


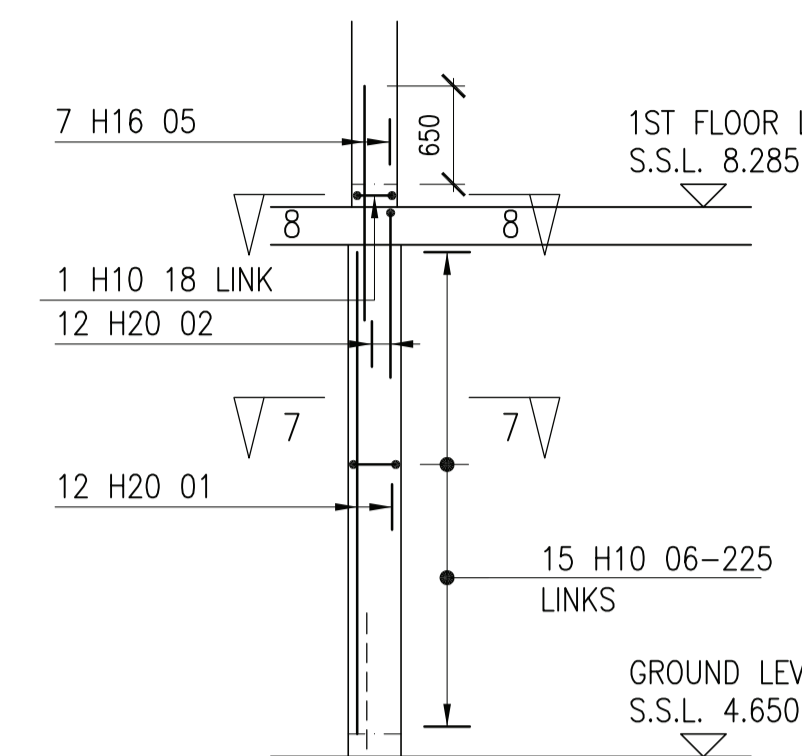
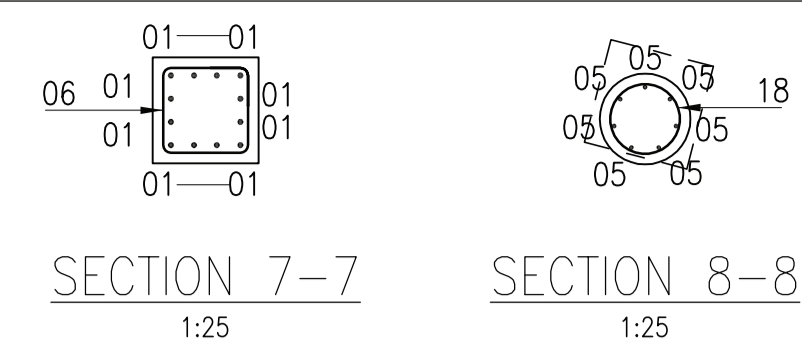
COLUMN TYPE 'C1'
(350x350 COLUMN)
(500x200 COLUMN ABOVE)
(3 No. TOTAL)



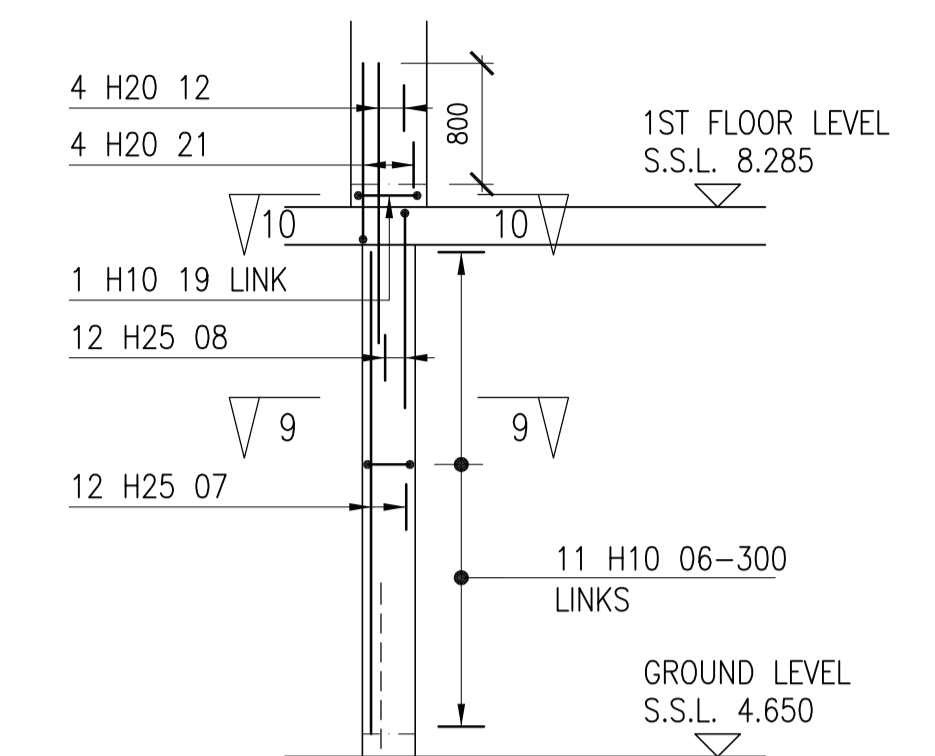
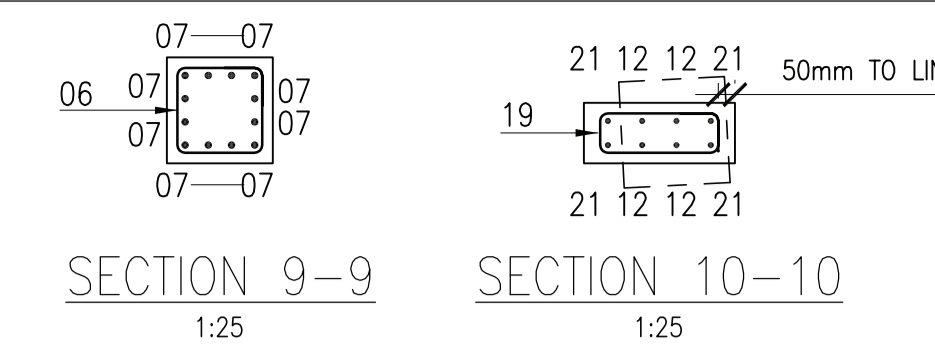
COLUMN TYPE 'C2'
(350x350 COLUMN)
(500x200 COLUMN ABOVE)
(2 No. TOTAL)



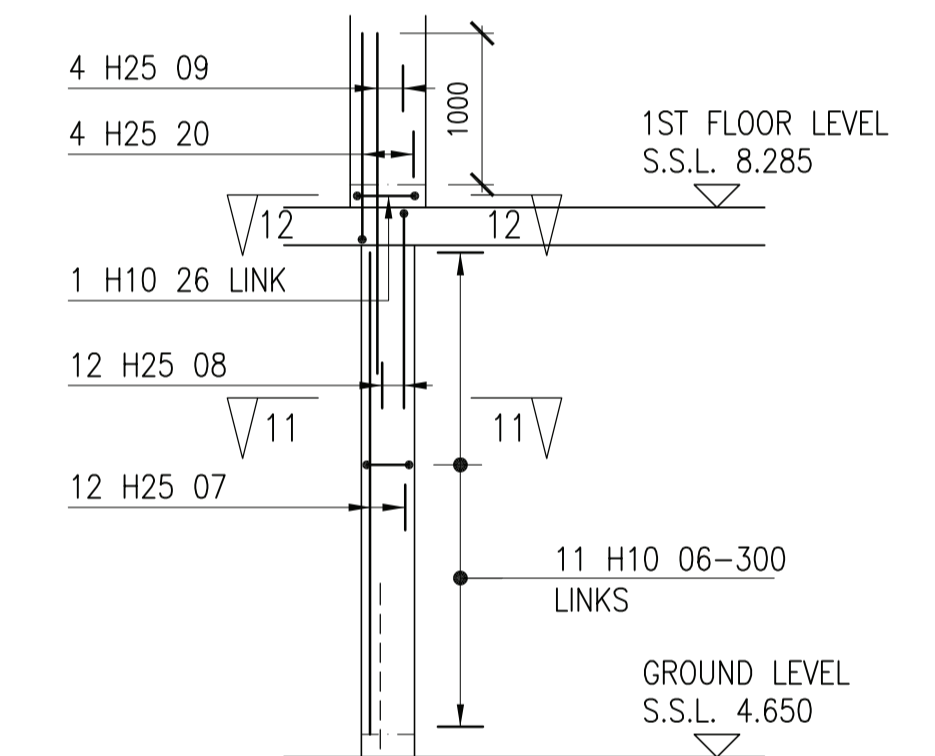
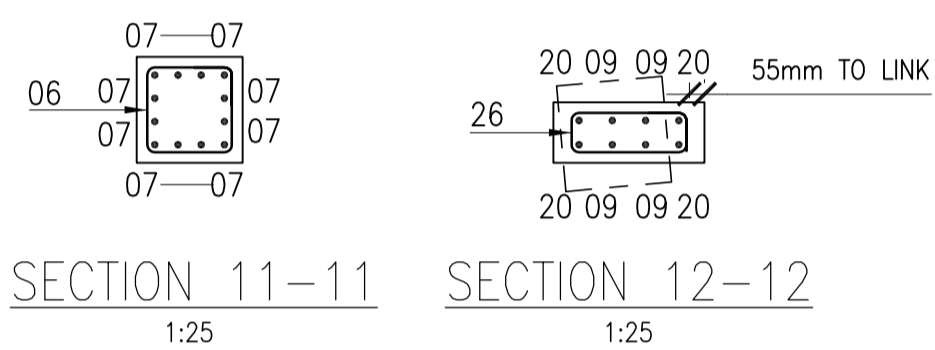
COLUMN TYPE 'C3'
(350x350 COLUMN)
(900x200 COLUMN ABOVE)
(1 No. TOTAL)



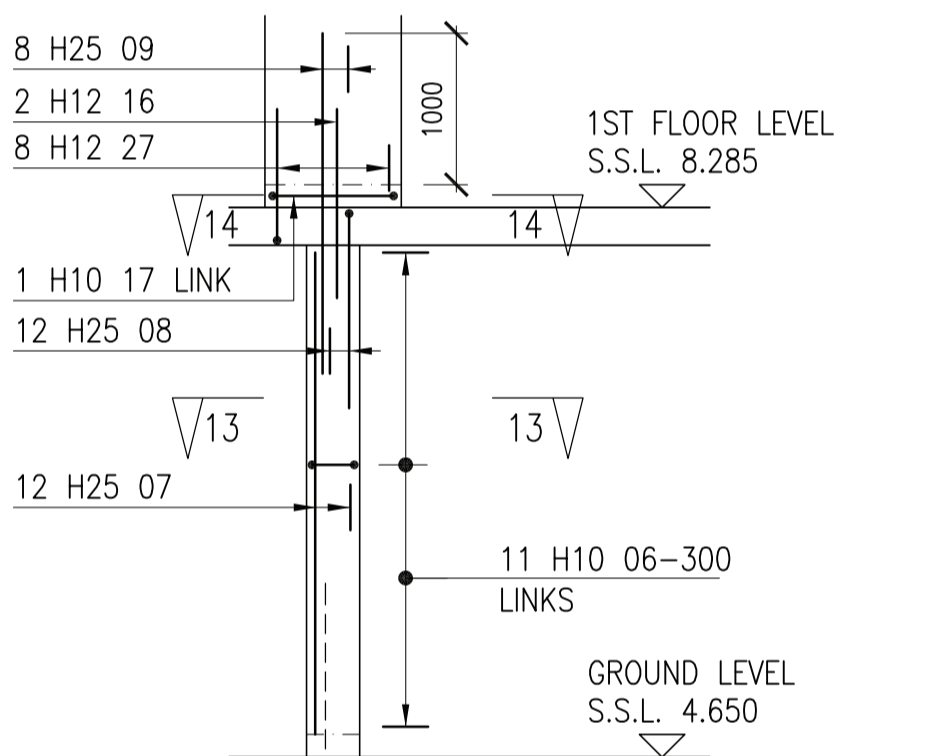
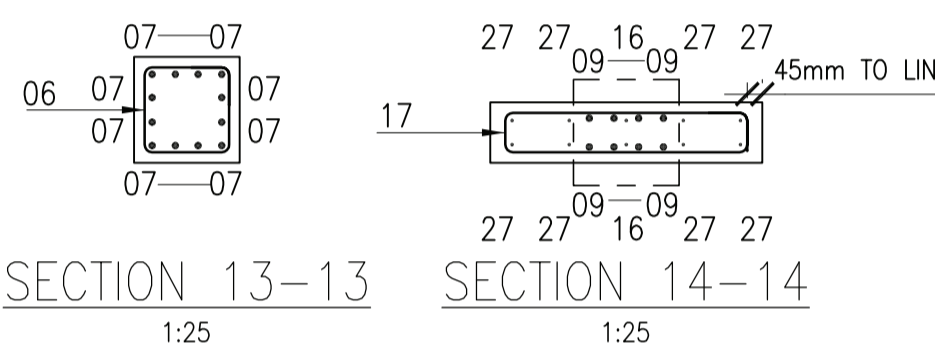
COLUMN TYPE 'C4'
(350x350 COLUMN)
(300Ø COLUMN ABOVE)
(1 No. TOTAL)



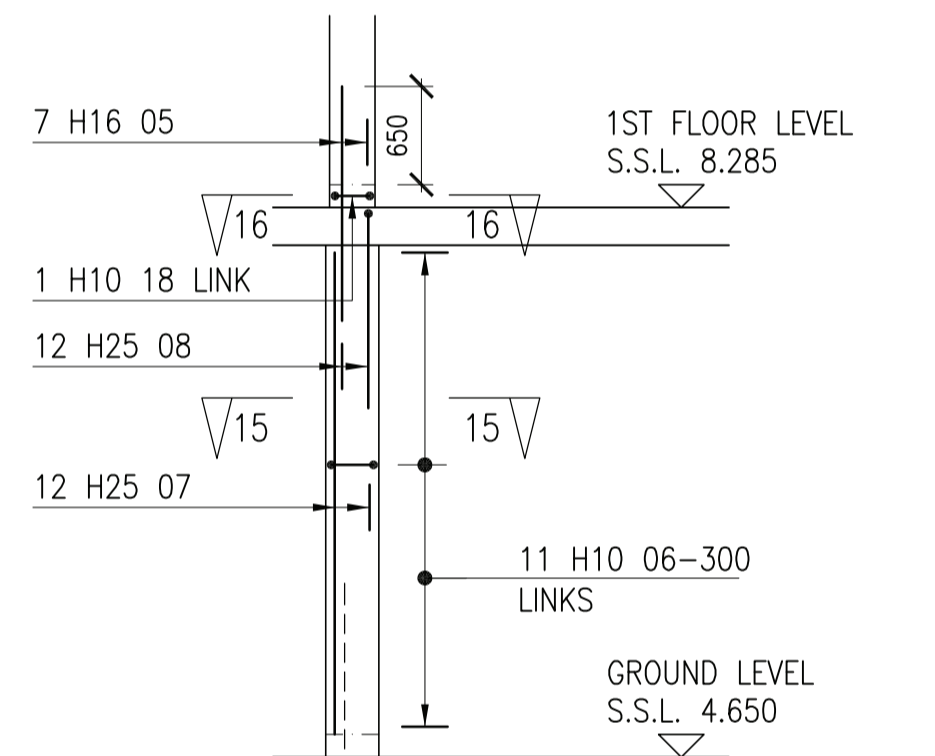
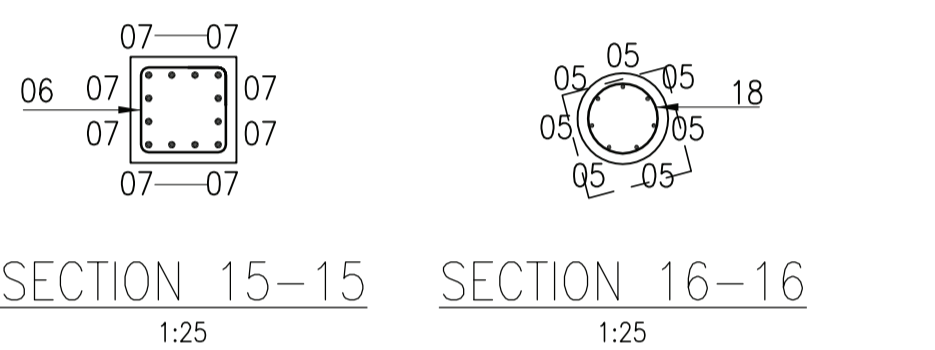
COLUMN TYPE 'C5'
(350x350 COLUMN)
(500x200 COLUMN ABOVE)
(2 No. TOTAL)



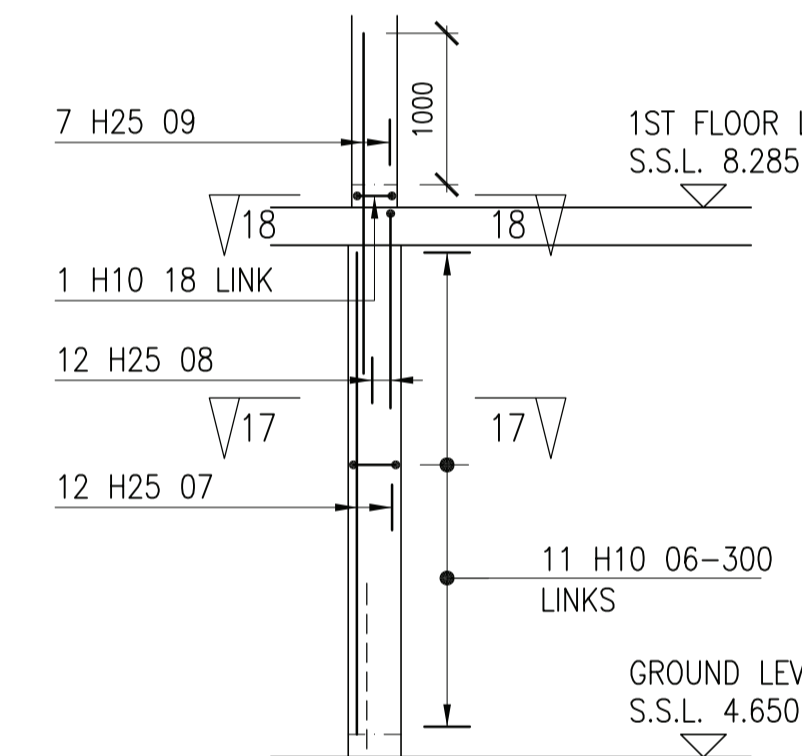
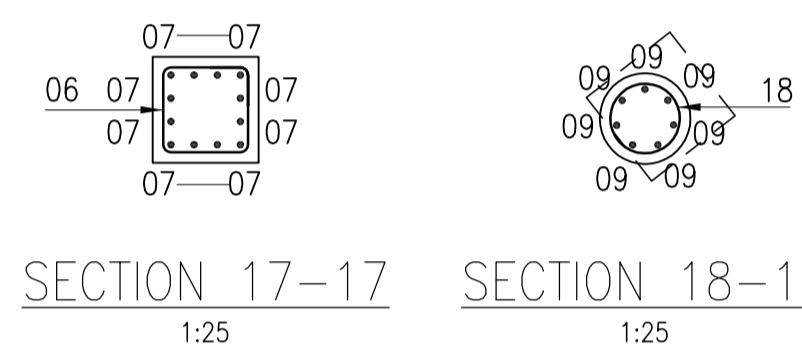
COLUMN TYPE 'C6'
(350x350 COLUMN)
(500x200 COLUMN ABOVE)
(2 No. TOTAL)



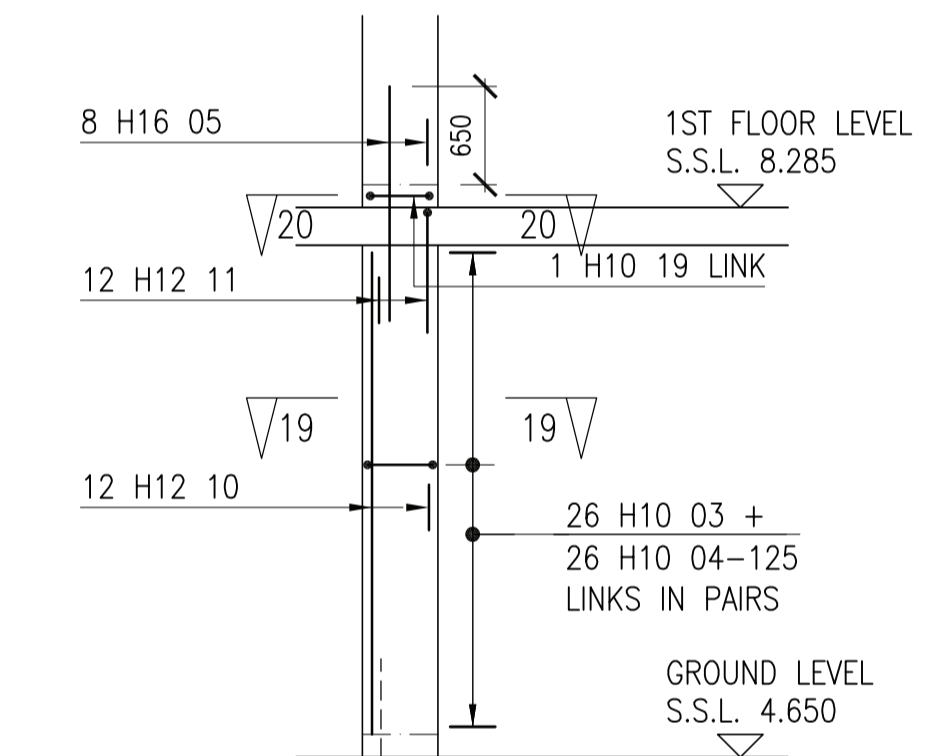
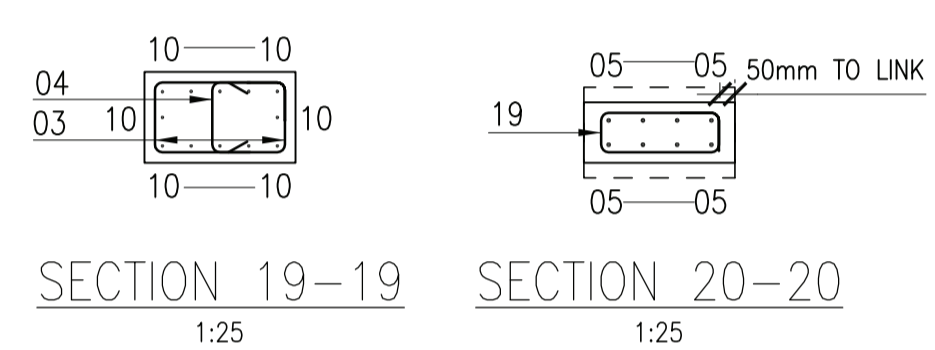
COLUMN TYPE 'C7'
(350x350 COLUMN)
(900x200 COLUMN ABOVE)
(1 No. TOTAL)



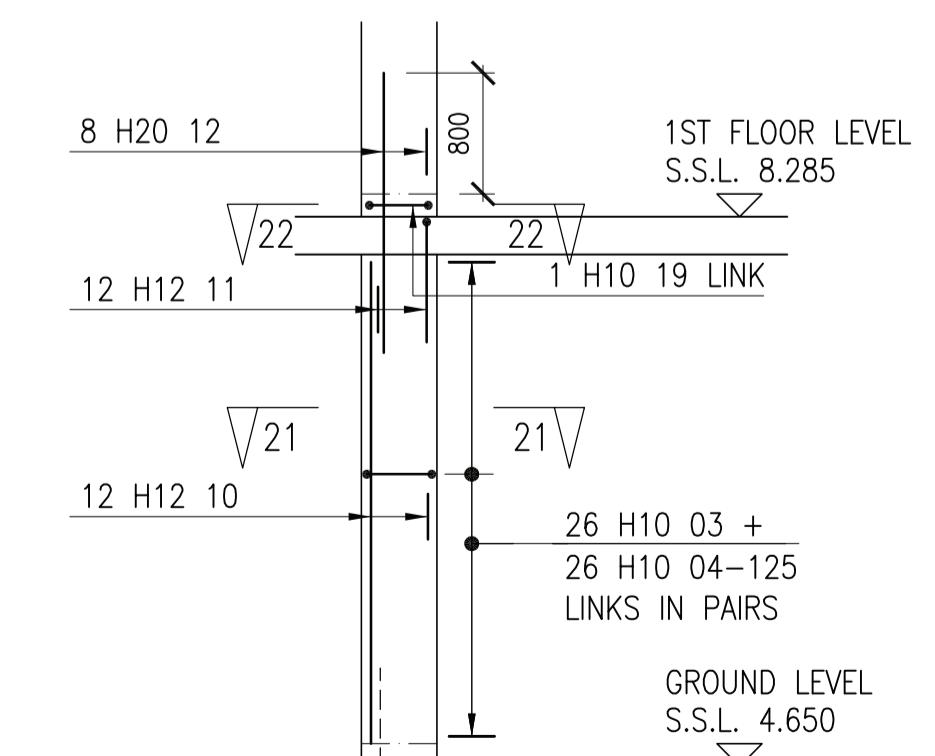
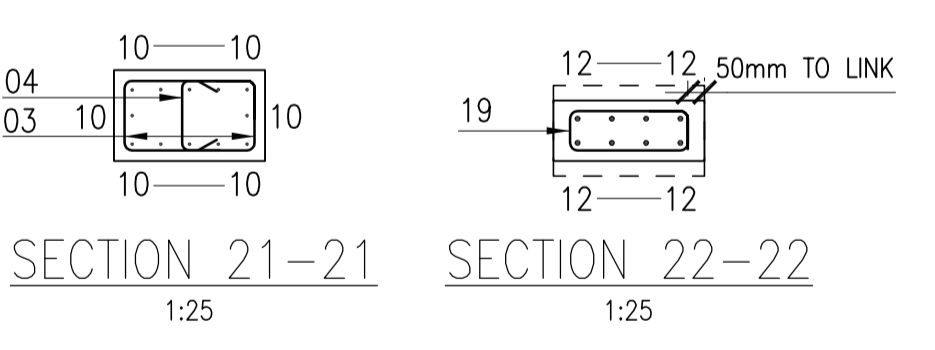
COLUMN TYPE 'C8'
(350x350 COLUMN)
(300Ø COLUMN ABOVE)
(1 No. TOTAL)



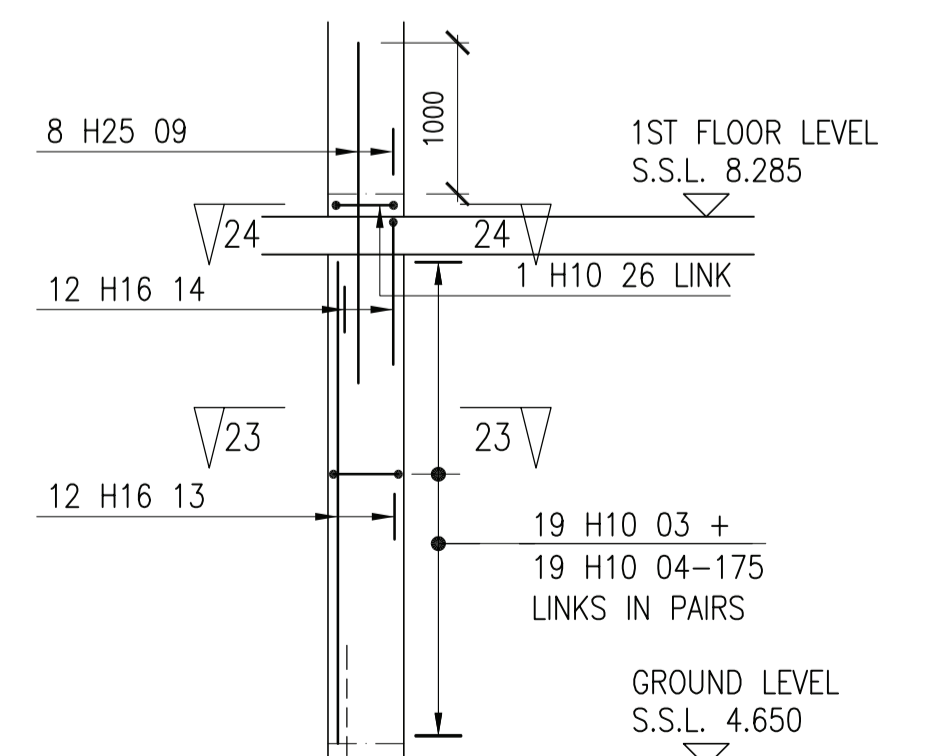
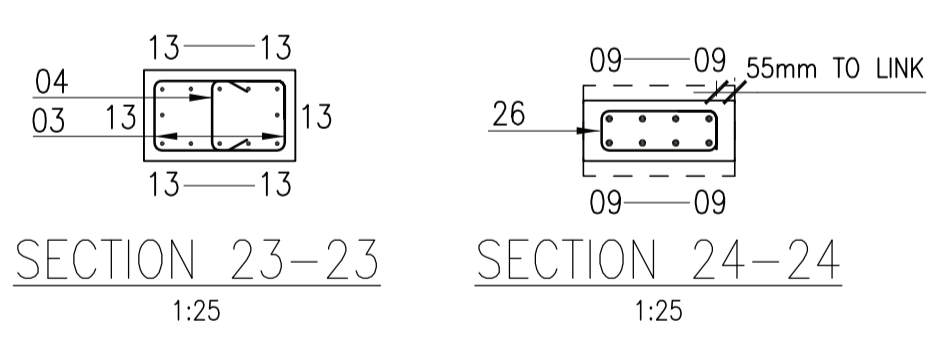
COLUMN TYPE 'C9'
(350x350 COLUMN)
(300Ø COLUMN ABOVE)
(4 No. TOTAL)



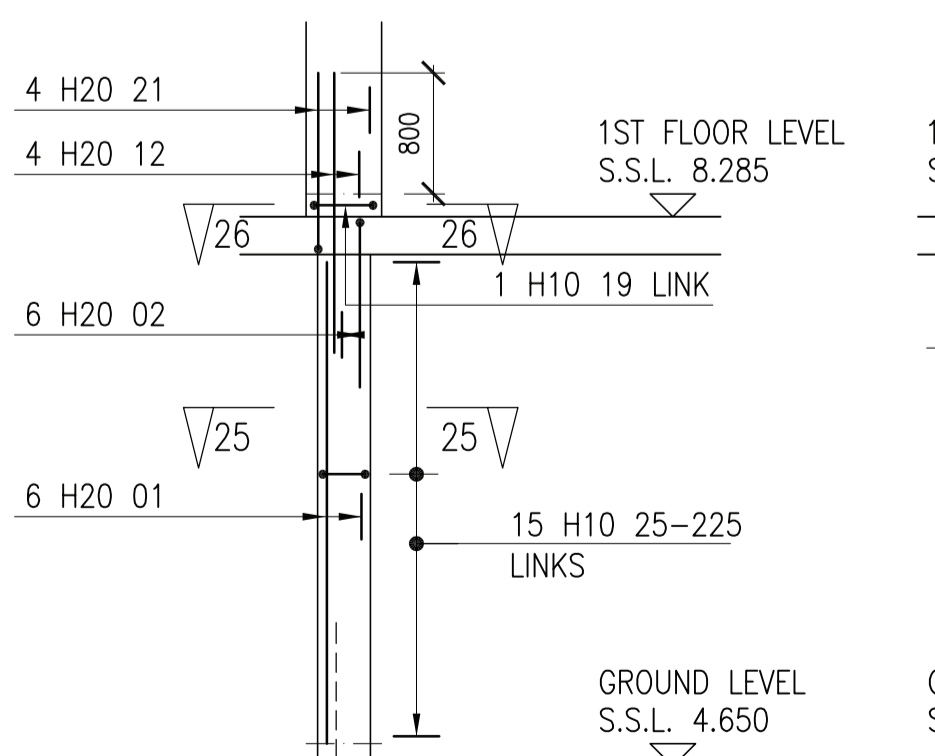
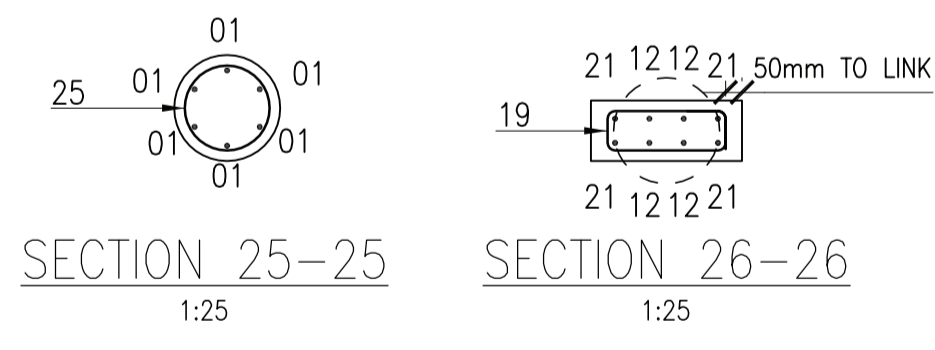
COLUMN TYPE 'C10'
(500x300 COLUMN)
(500x200 COLUMN ABOVE)
(3 No. TOTAL)



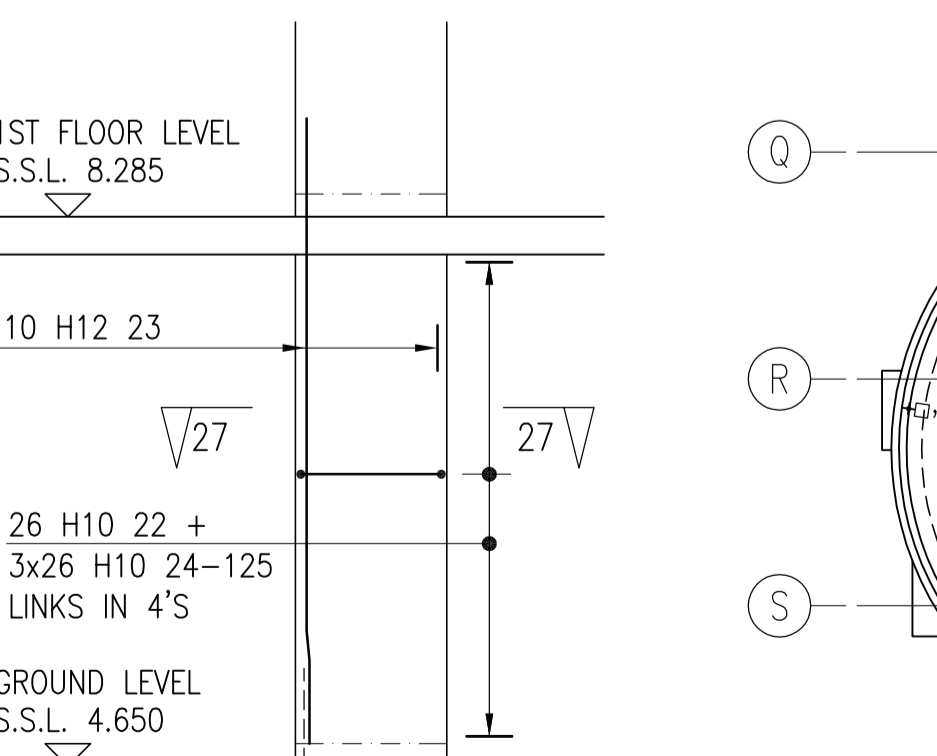
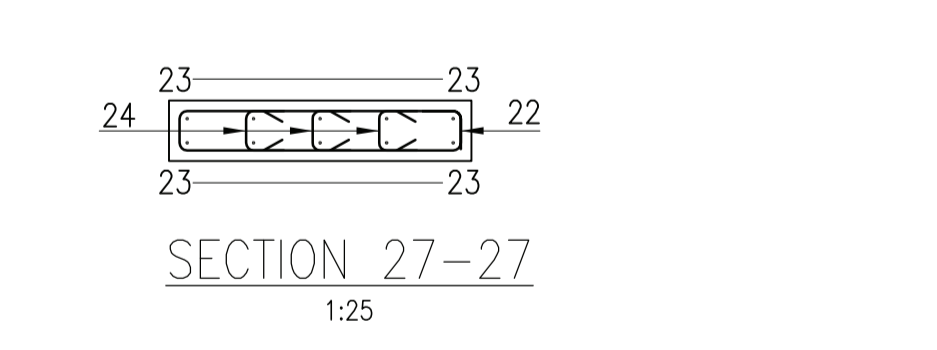
COLUMN TYPE 'C11'
(500x300 COLUMN)
(500x200 COLUMN ABOVE)
(2 No. TOTAL)



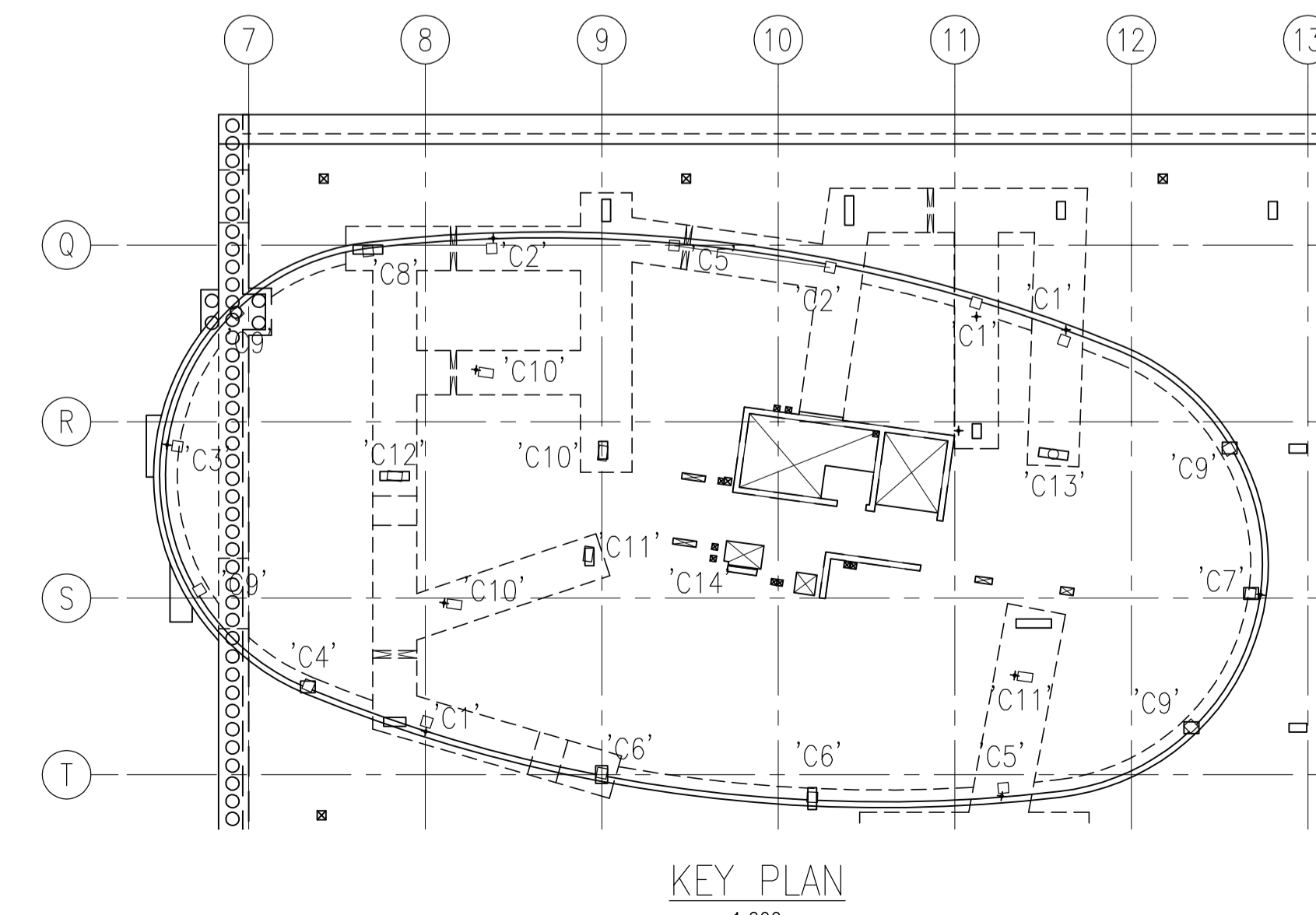
COLUMN TYPE 'C12'
(500x300 COLUMN)
(500x200 COLUMN ABOVE)
(1 No. TOTAL)



COLUMN TYPE 'C13'
(350Ø COLUMN)
(500x200 COLUMN ABOVE)
(1 No. TOTAL)



COLUMN TYPE 'C14'
(1000x200 COLUMN)
(1 No. TOTAL)



- NOTES:**
- THIS DRAWING IS TO BE READ IN CONJUNCTION WITH ALL RELEVANT ENGINEERS, ARCHITECTS AND SPECIALIST DRAWINGS AND THE SPECIFICATION.
 - COVER TO REINFORCEMENT TO BE 25mm (U.N.O) FABRICATION TO BE SUBJECTED TO QUALITY ASSURANCE SYSTEM ALLOWING $\Delta c_{dev} = 5mm$ (EC2)
 - REINFORCEMENT IS LISTED ON BENDING SCHEDULE Nos. 4643/R/325/01-05.
 - MINIMUM REINFORCEMENT LAPS ARE TO BE AS FOLLOWS:
H8 = 350mm H10 = 400mm H12 = 500mm
H16 = 650mm H20 = 800mm H25 = 1000mm
H32 = 1300mm H40 = 1600mm
 - ASSUMED KICKER - 150mm.

ALL CONCRETE TO BE GRADE C70

0	???.14	ISSUED FOR CONSTRUCTION.	WD	MS
Rev.	Date	Revision	By	Chk

CONSTRUCTION

Drawing Title
**PHASE 3 - BLOCK G
RC DETAILS OF COLUMN
GROUND - FIRST**