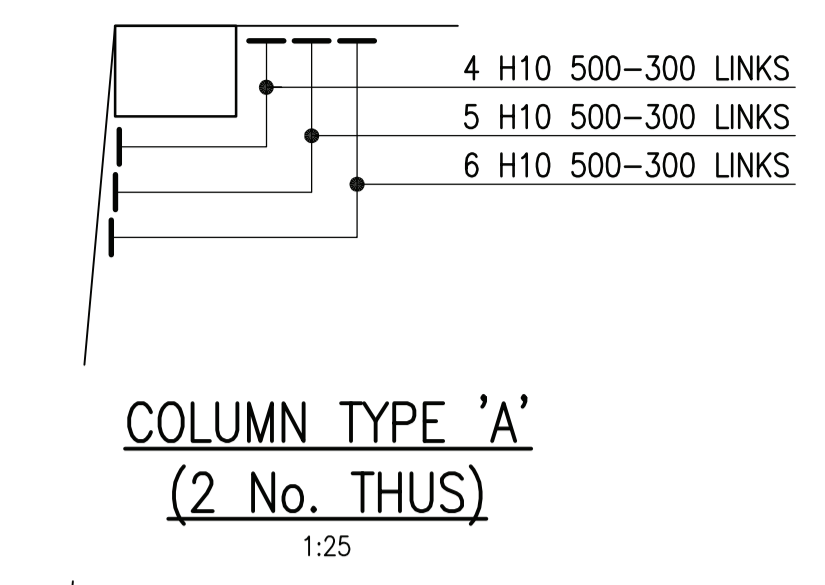
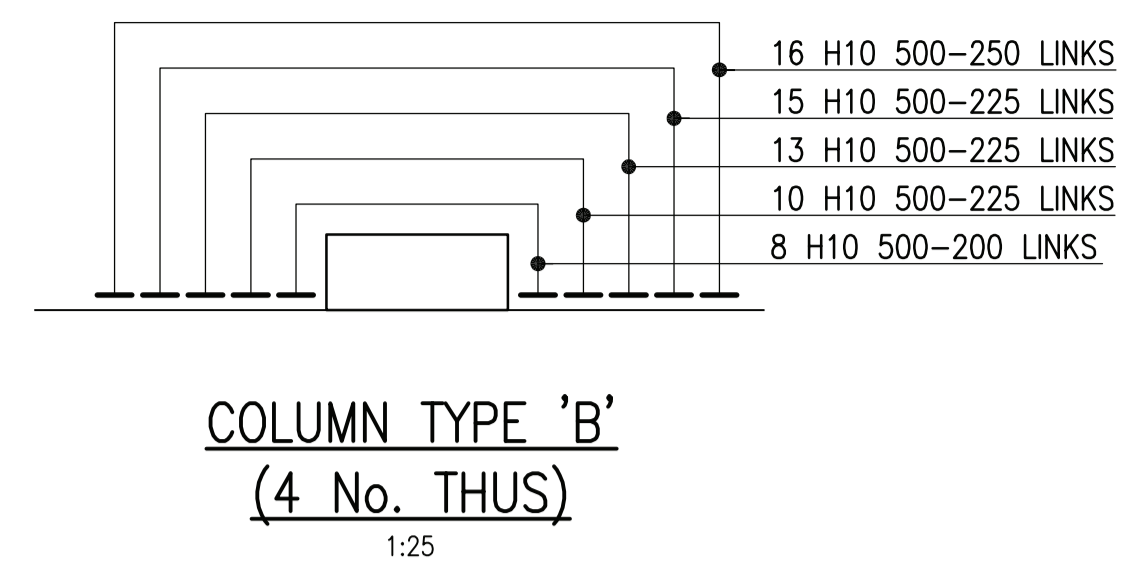


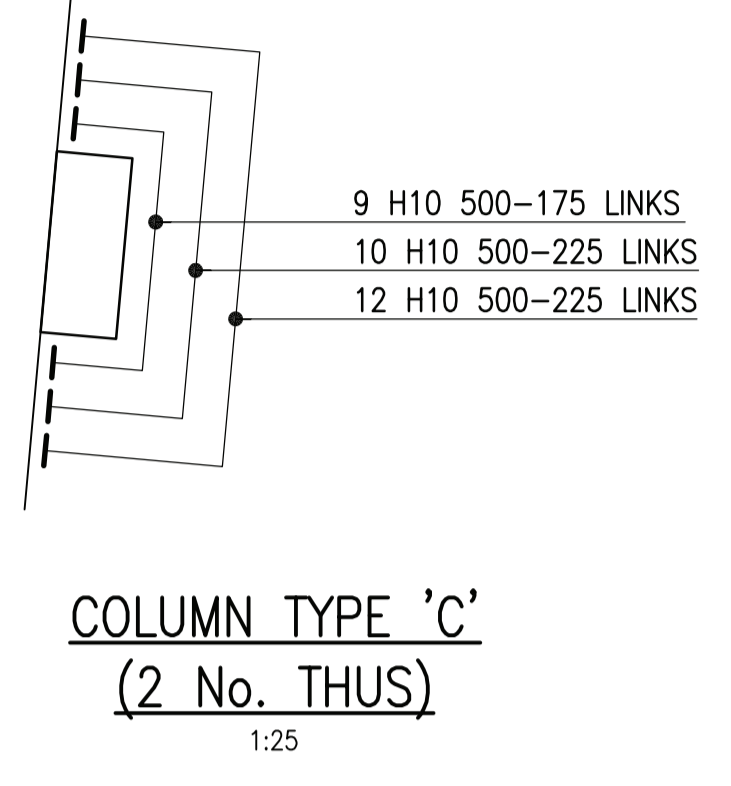
KEY PLAN
1:200



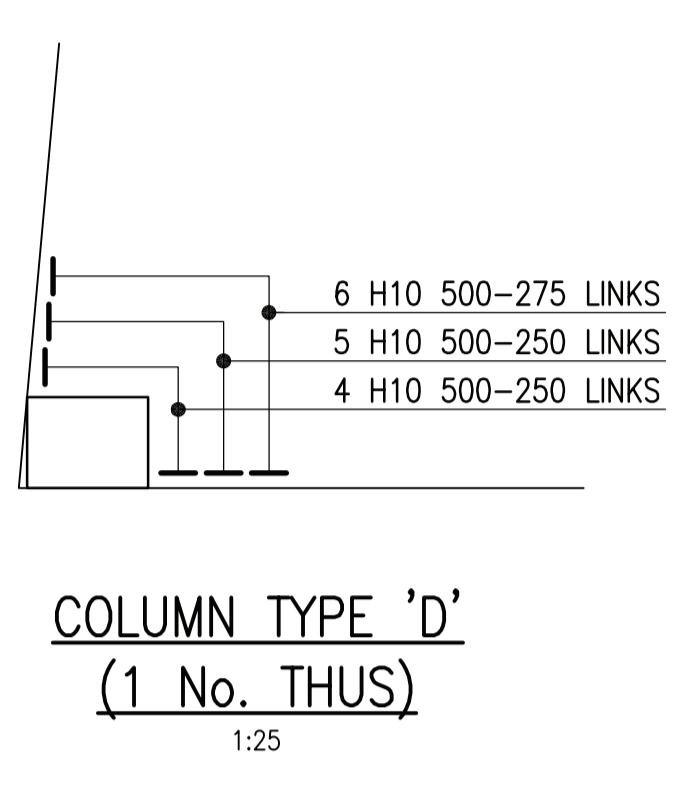
COLUMN TYPE 'A'
(2 No. THUS)
1:25



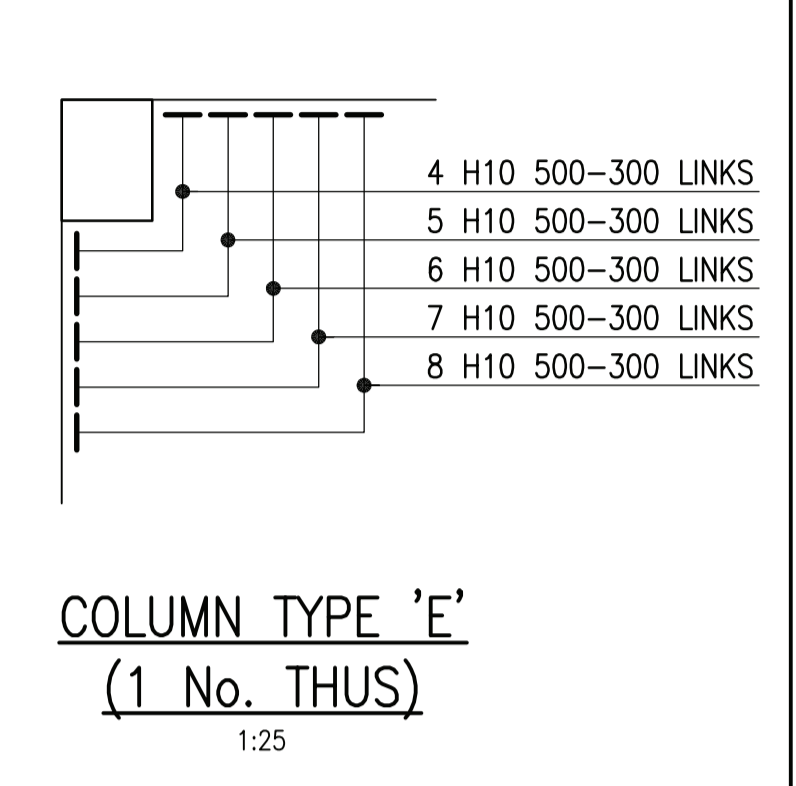
COLUMN TYPE 'B'
(4 No. THUS)
1:25



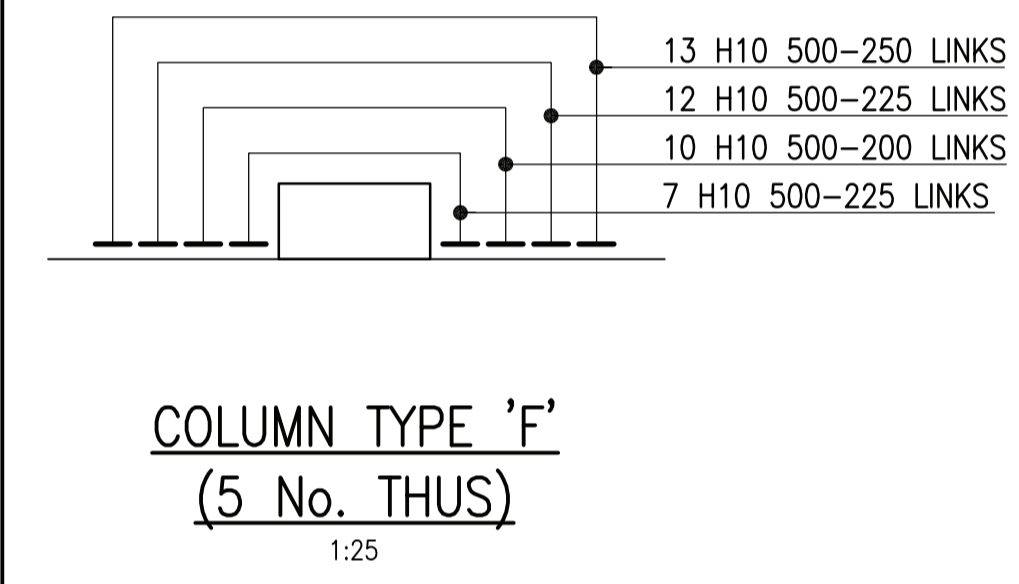
COLUMN TYPE 'C'
(2 No. THUS)
1:25



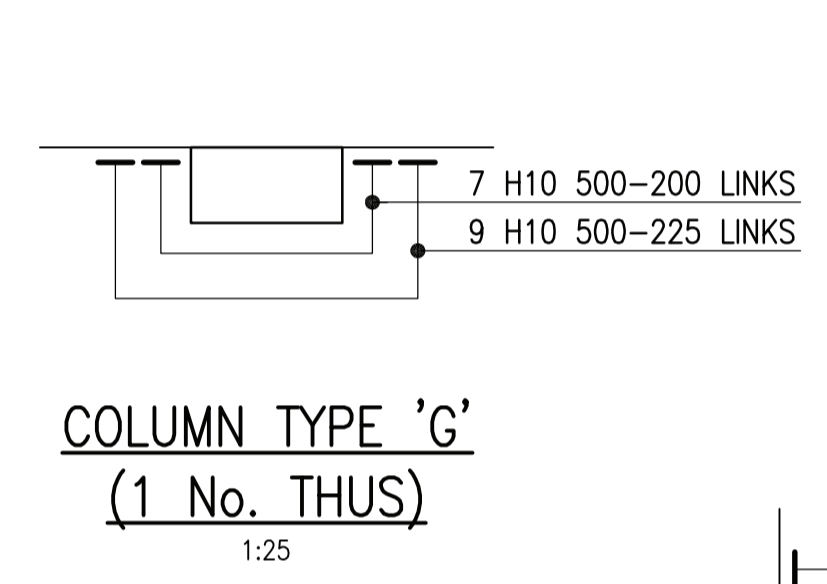
COLUMN TYPE 'D'
(1 No. THUS)
1:25



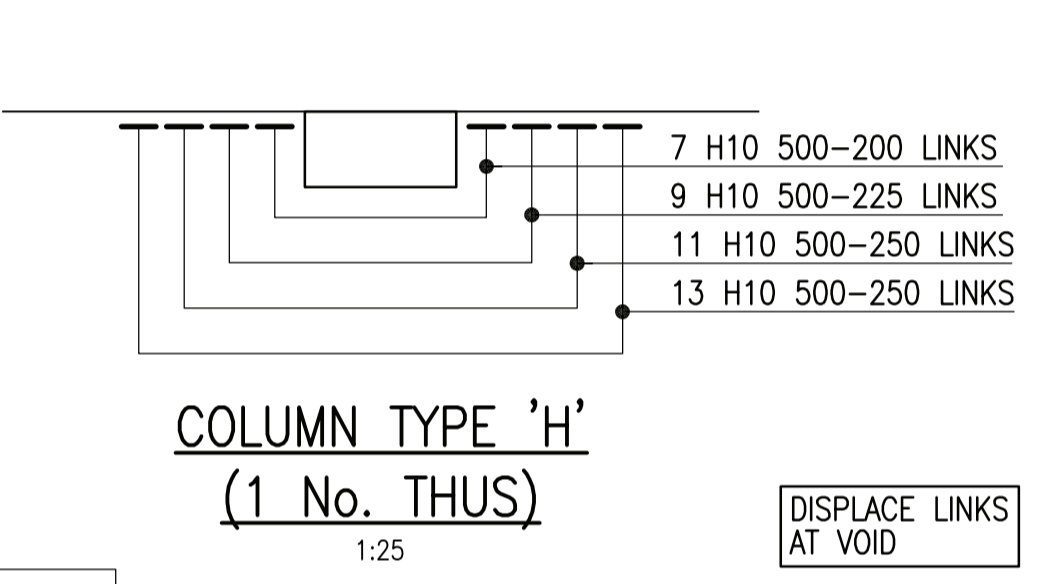
COLUMN TYPE 'E'
(1 No. THUS)
1:25



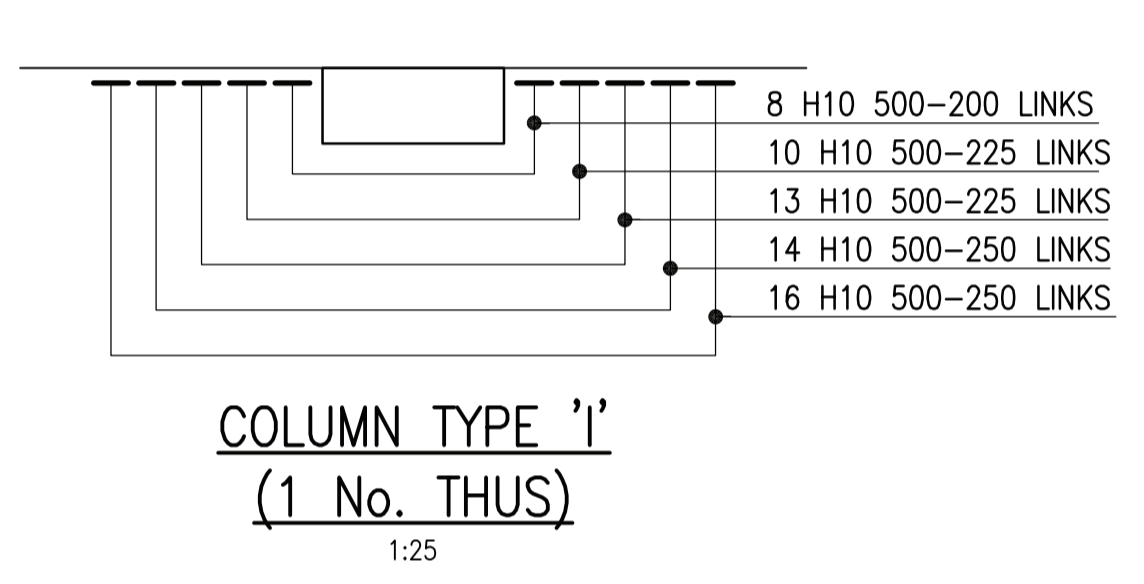
COLUMN TYPE 'F'
(5 No. THUS)
1:25



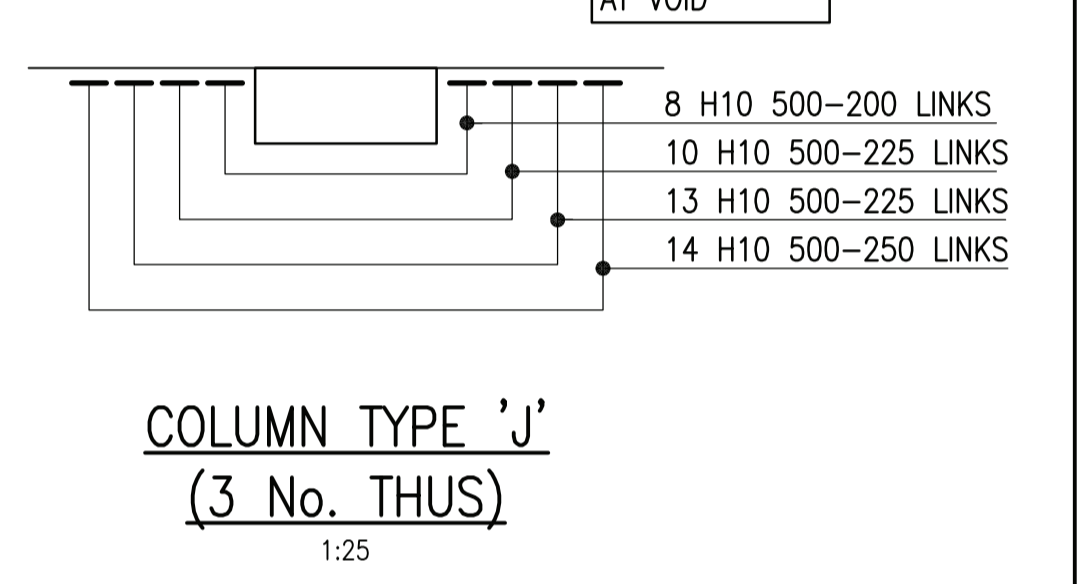
COLUMN TYPE 'G'
(1 No. THUS)
1:25



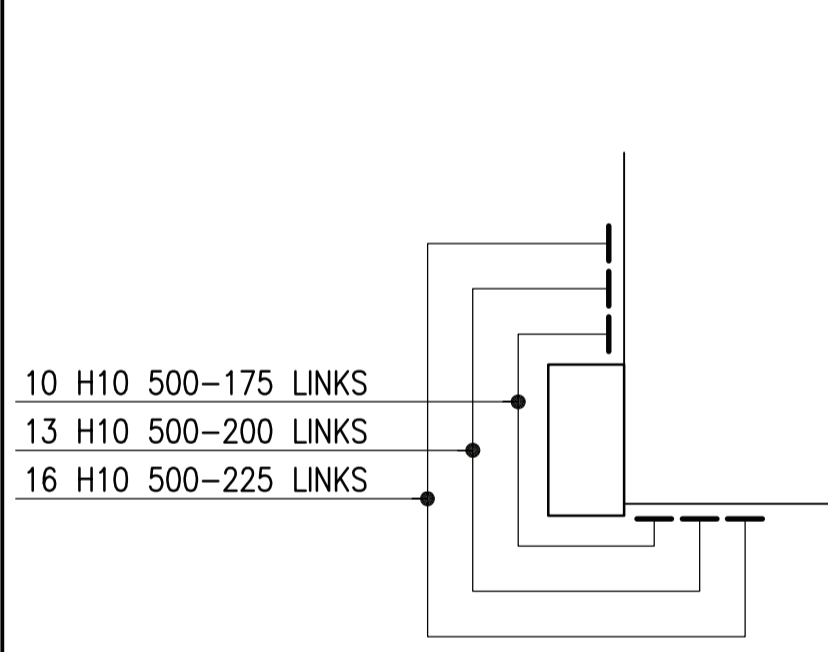
COLUMN TYPE 'H'
(1 No. THUS)
1:25



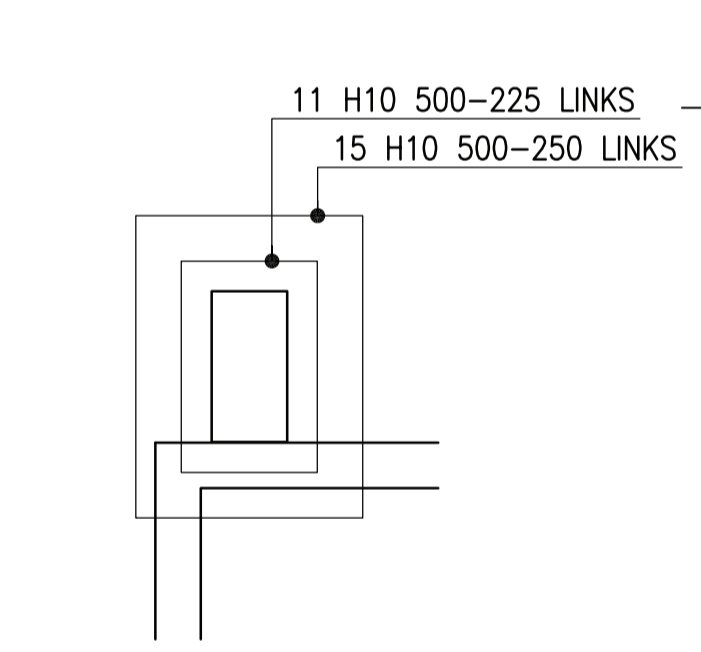
COLUMN TYPE 'I'
(1 No. THUS)
1:25



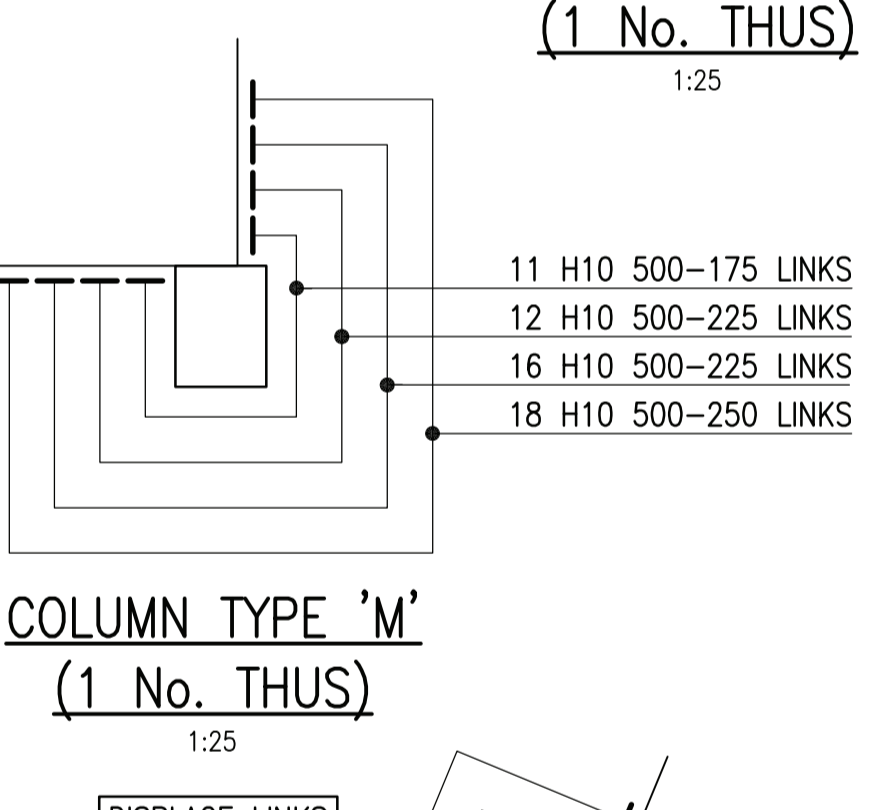
COLUMN TYPE 'J'
(3 No. THUS)
1:25



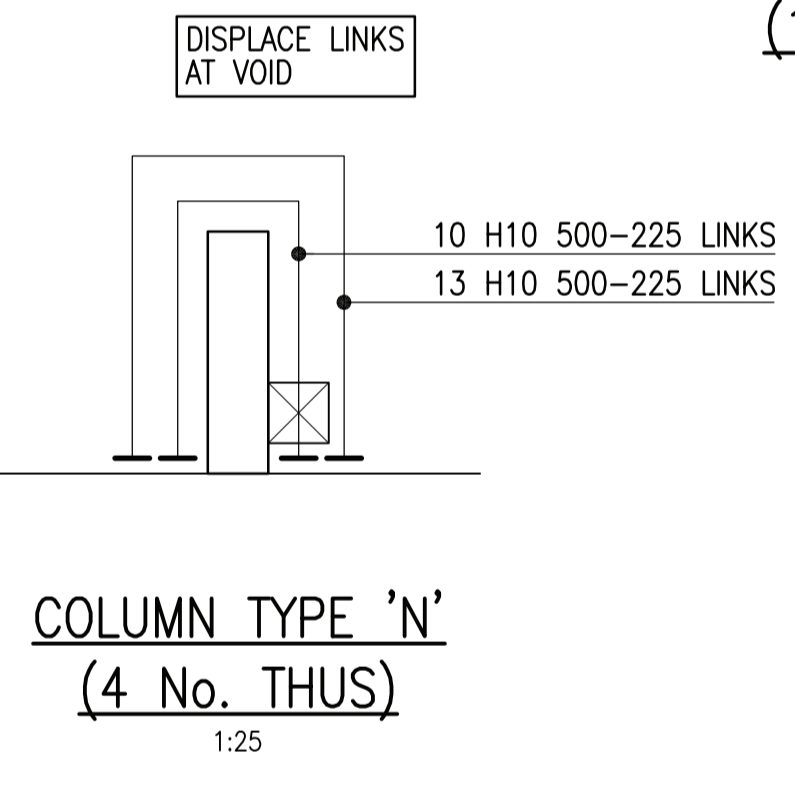
COLUMN TYPE 'K'
(1 No. THUS)
1:25



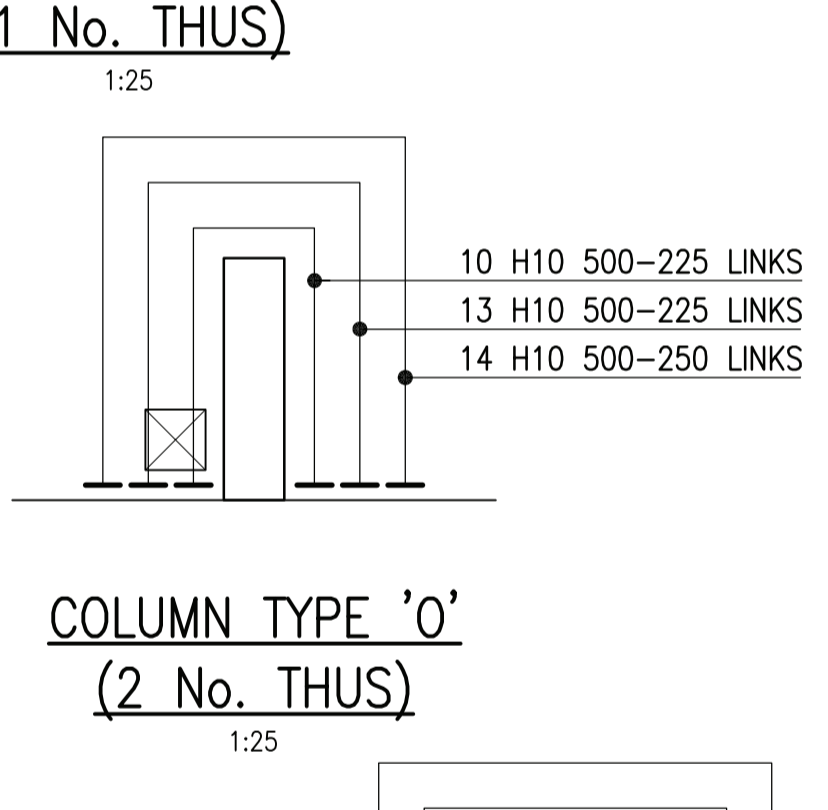
COLUMN TYPE 'L'
(1 No. THUS)
1:25



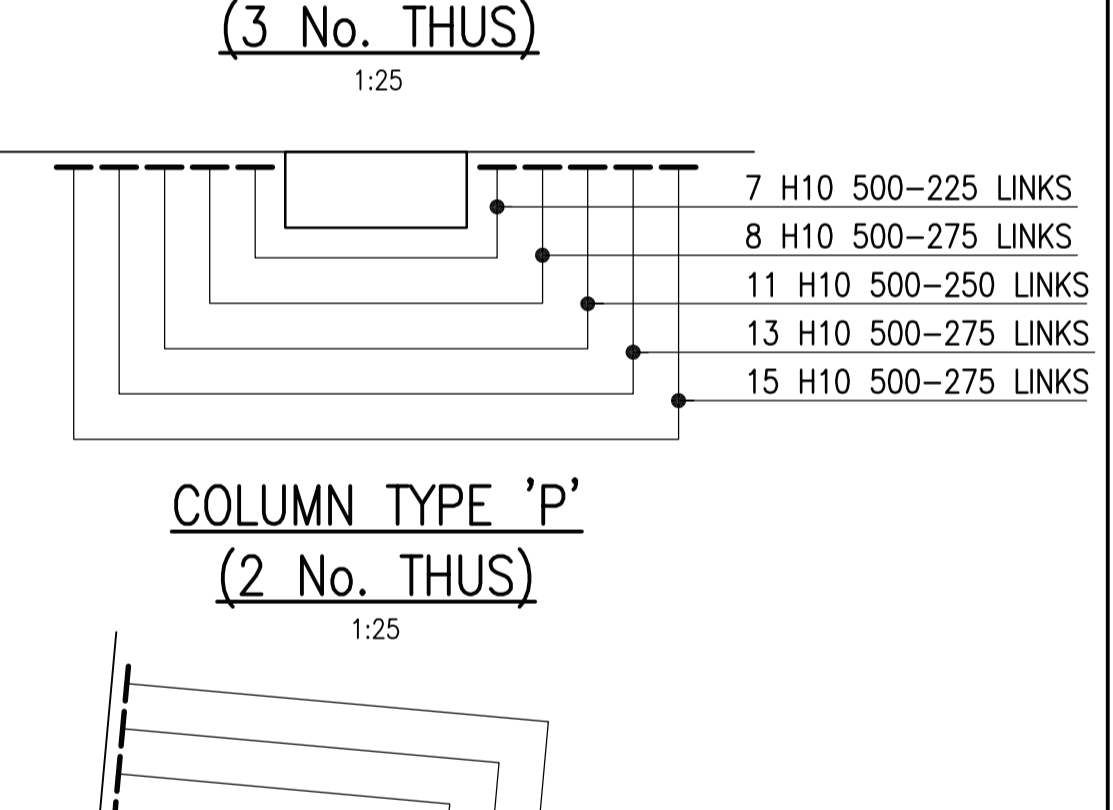
COLUMN TYPE 'M'
(1 No. THUS)
1:25



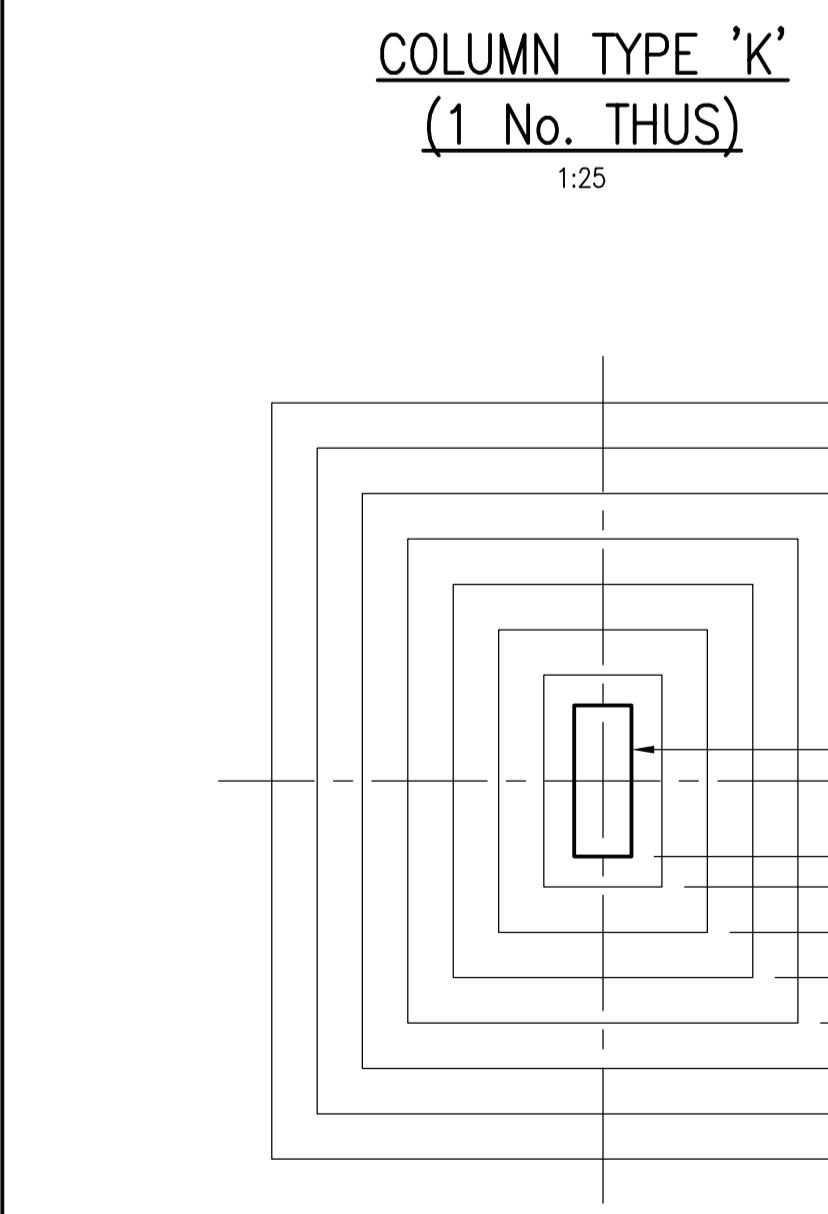
COLUMN TYPE 'N'
(4 No. THUS)
1:25



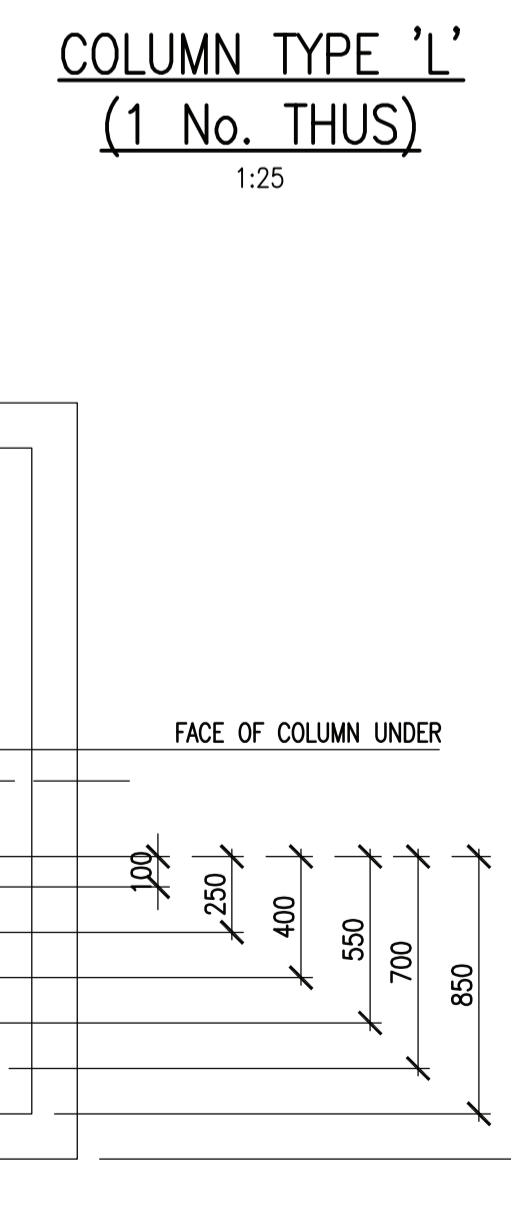
COLUMN TYPE 'O'
(2 No. THUS)
1:25



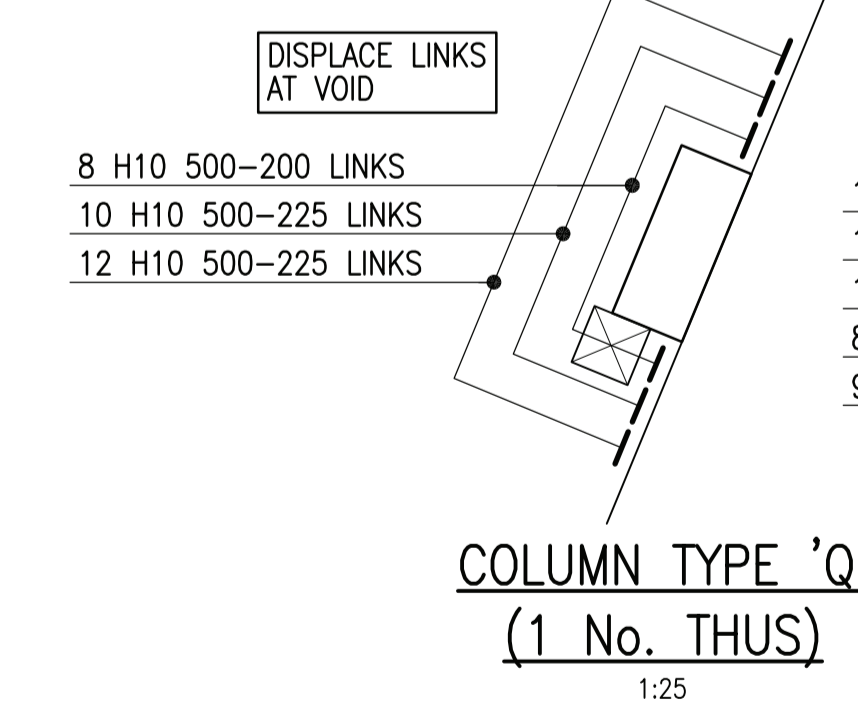
COLUMN TYPE 'P'
(2 No. THUS)
1:25



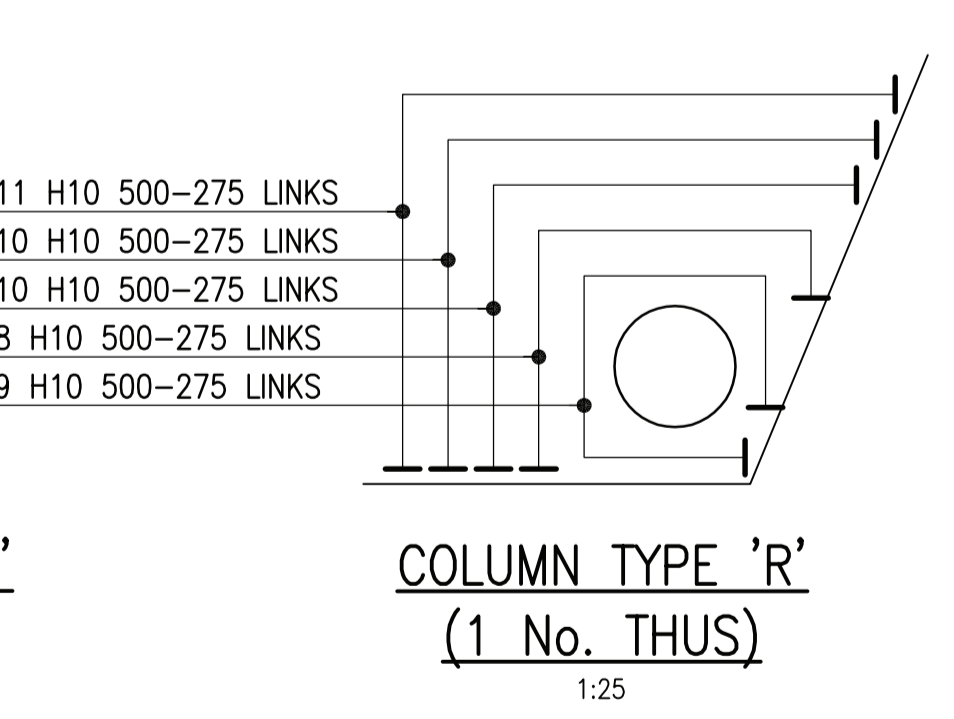
COLUMN TYPE 'Q'
(1 No. THUS)
1:25



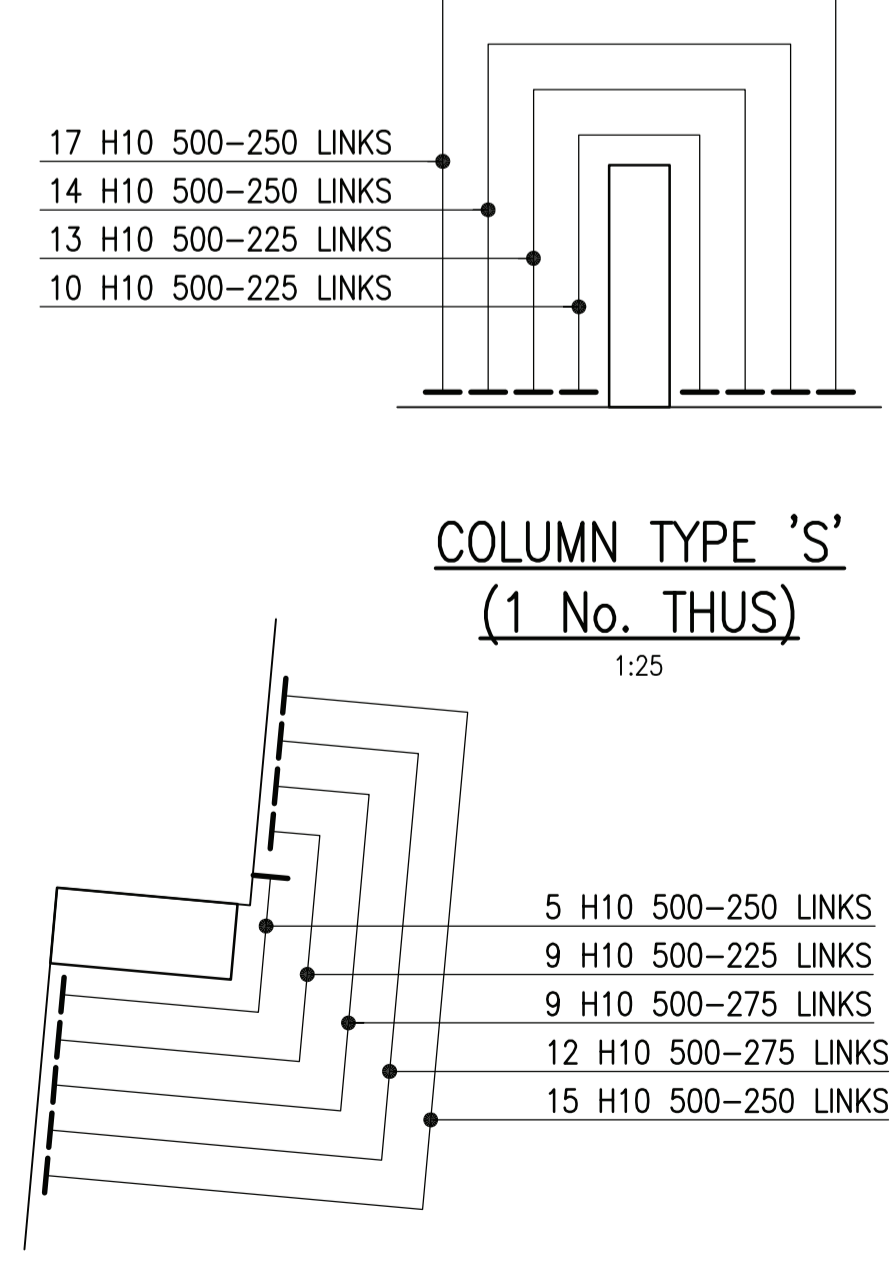
COLUMN TYPE 'R'
(1 No. THUS)
1:25



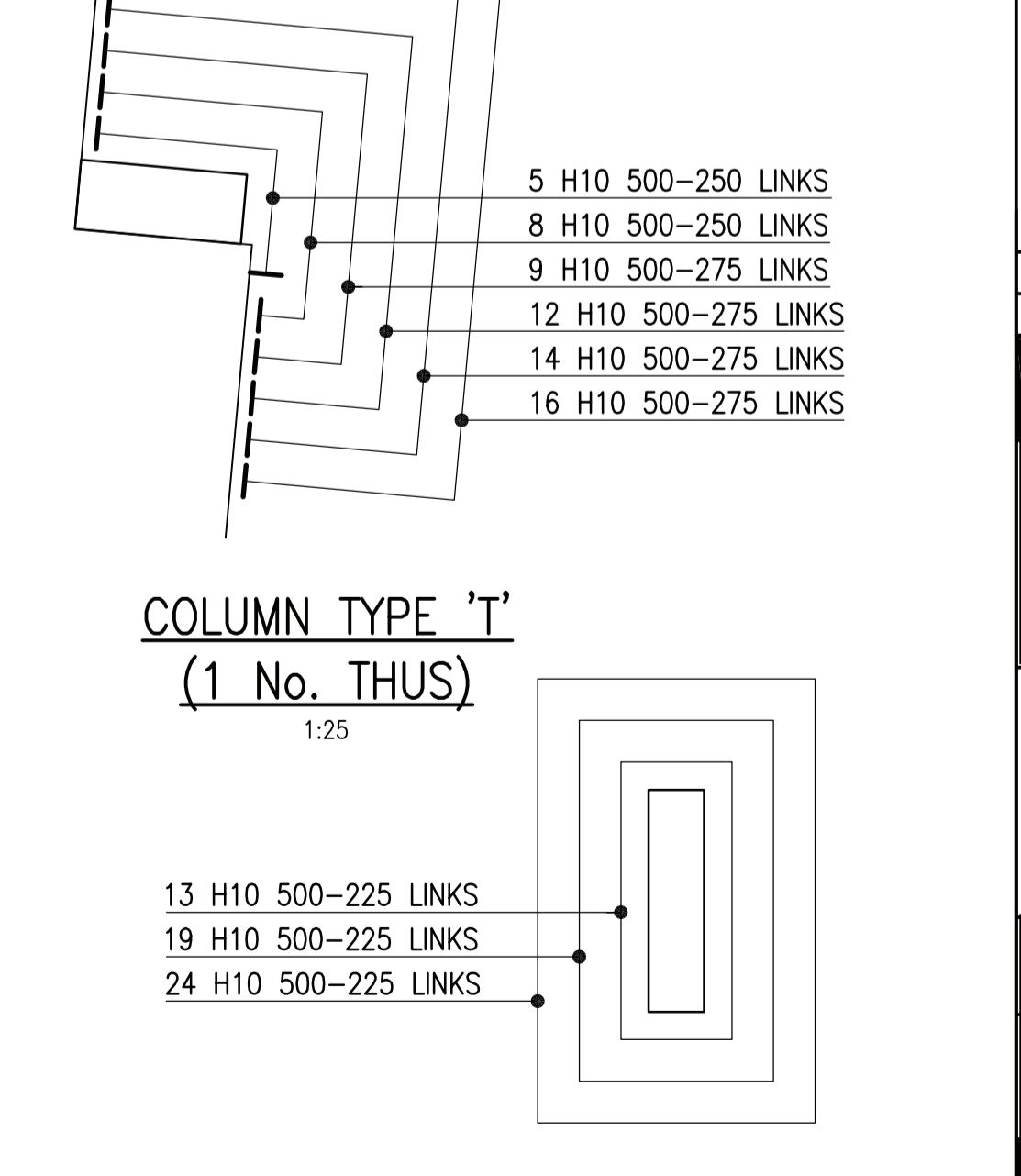
COLUMN TYPE 'S'
(1 No. THUS)
1:25



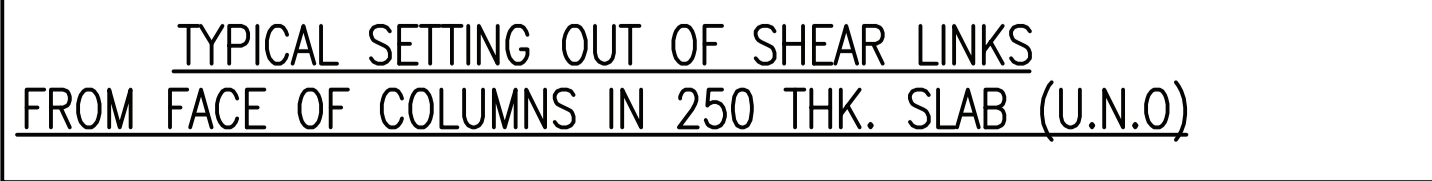
COLUMN TYPE 'T'
(1 No. THUS)
1:25



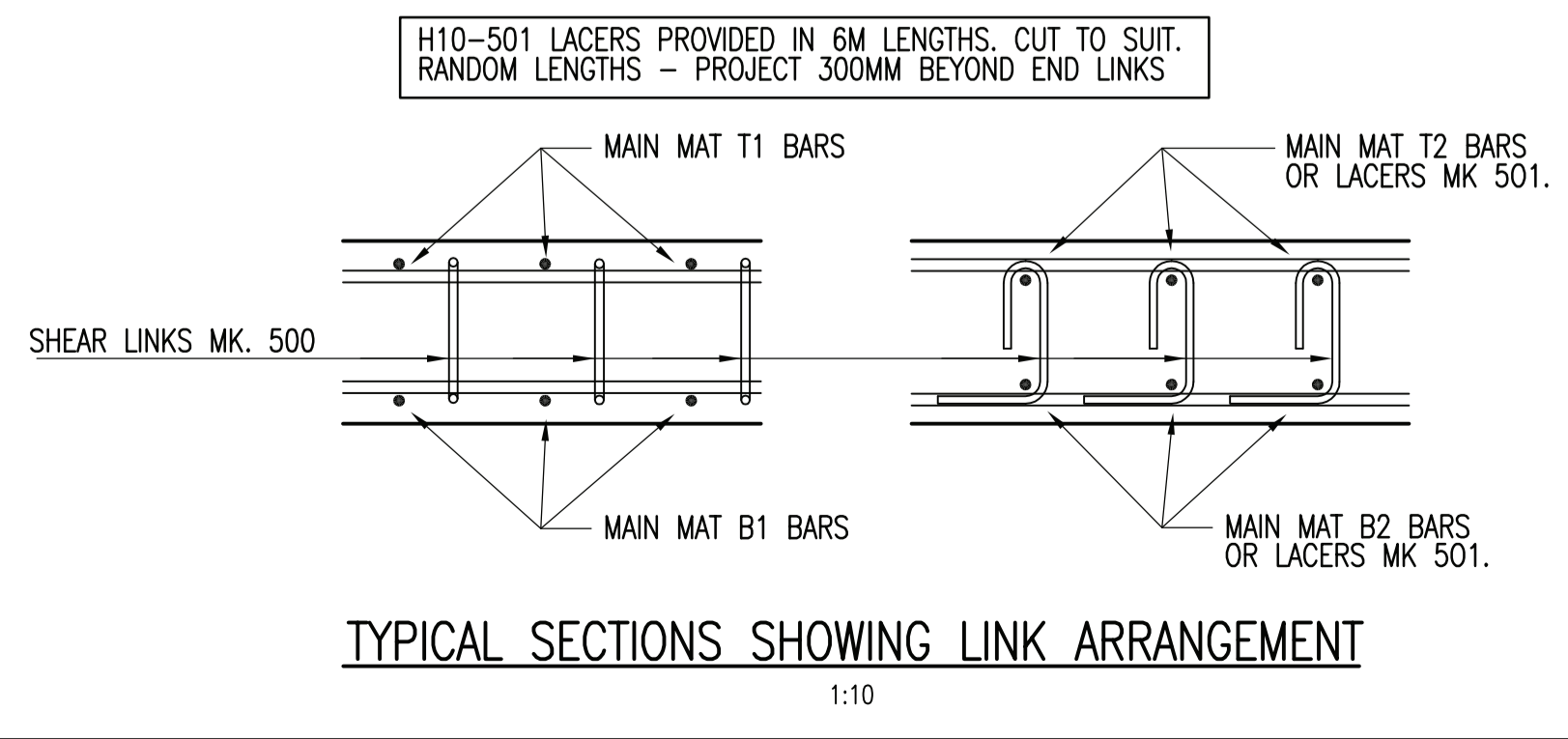
COLUMN TYPE 'U'
(1 No. THUS)
1:25



COLUMN TYPE 'V'
(8 No. THUS)
1:25



TYPICAL SETTING OUT OF SHEAR LINKS FROM FACE OF COLUMNS IN 250 THK. SLAB (U.N.O)



TYPICAL SECTIONS SHOWING LINK ARRANGEMENT
1:10

NOTES:

- THIS DRAWING IS TO BE READ IN CONJUNCTION WITH ALL RELEVANT ENGINEERS, ARCHITECTS AND SPECIALIST DRAWINGS AND THE SPECIFICATION.
- COVER TO REINFORCEMENT TO BE AS FOLLOWS:
25mm BOTTOM STEEL
25mm TOP STEEL
- REINFORCEMENT IS LISTED ON BENDING SCHEDULE Nos. 4663/E/R/149/01-02
- MINIMUM REINFORCEMENT LAPS ARE TO BE AS FOLLOWS:
H8 = 350mm H10 = 400mm H12 = 500mm
H16 = 650mm H20 = 800mm H25 = 1000mm
H32 = 1300mm H40 = 1600mm

0	22.11.13	ISSUED FOR TENDER.	PJD	MJH
Rev.	Date	Revision	By	Chk

TENDER

Drawing Title
RC DETAILS OF FOURTH FLOOR SLAB SHEAR LINKS SHEET 1 OF 2