

8' X 4' FOOTIE GRASS SURFACE CONVERSION TO 8' X 4' WITH BASE

FOOTIEGOALS FITTING INSTRUCTION

TEL: 0114 24 24 244

SPARE PARTS BACKUP
WWW.ITSAGOAL.CO.UK

COMPONENTS REQUIRED FOR CONVERSION

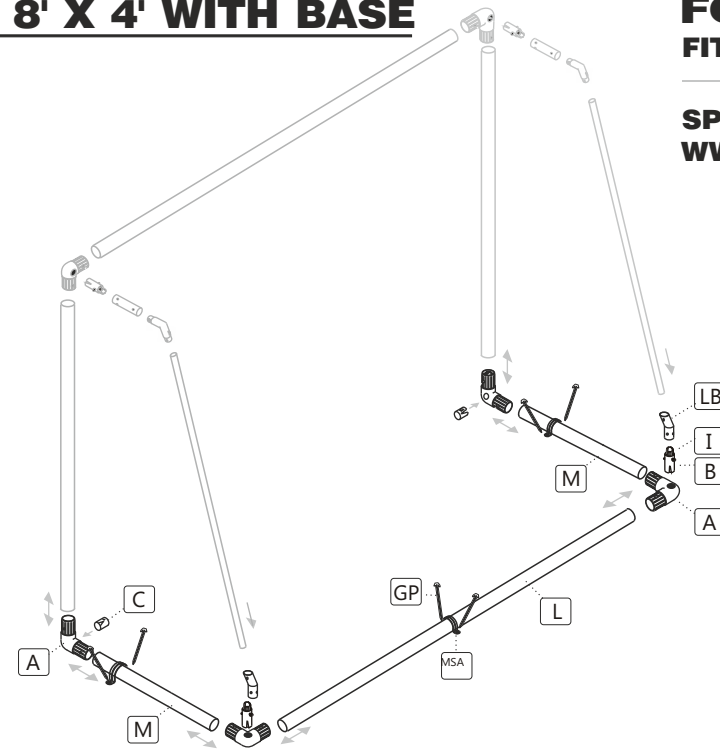
A	CORNER BRACKET	x4	
B	SPIGOT	x2	
C	BLANKING CAP	x2	
LB	LOWER BACK STANCHION CONNECTOR	x2	
LG	LARGE NET TIE	x20	
I	SMALL QUICK RELEASE BUTTON	x2	
MSA	MULTI-SURFACE ANCHOR	x3	
GP	GROUND PEG	x6	

POST SECTIONS

L	BACKBAR SECTION	x1	
M	SIDEBAR SECTION	x2	

NOTE : ANCHOR YOUR GOALPOSTS & TIE NETS TO ALL FRAMES

During a game the goal posts must have the ground anchors inserted as shown below, in order to fully hold the goal post ground sections together. The Crossbar connects into the upright posts with the corner brackets (A). It is important to fix the goal net to the larger posts with the Large Net Ties (NT). Use the Small Stanchion ties (ST) to attached the nets tightly to the net supports as indicated. See over for other helpful hints on assembly.

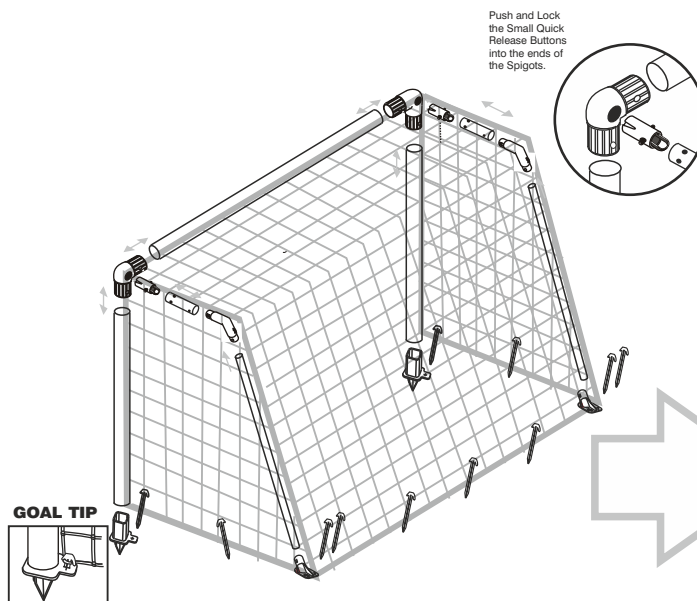


CE NOT SUITABLE FOR CHILDREN UNDER 36 MONTHS UNLESS ASSEMBLED DUE TO SMALL PARTS.

COMPONENTS

A	CORNER BRACKET	x2	
B	SPIGOT	x2	
FGA	FRONT GROUND ANCHOR	x2	
RA	REAR GROUND ANCHOR	x2	
GP	GROUND PEG	x18	
TTE	TOP TUBE ELBOW	x2	
I	SMALL QUICK RELEASE BUTTON	x2	
NT	NET TIE	x20	
ST	SMALL STANCHION NET TIE	x10	
NET	GOAL NET	x1	

8' X 4' GRASS SURFACE FOOTIEGOAL



GOAL TIP



DO NOT USE IN EXTREME GALE FORCE WINDY CONDITIONS

FOOTIEGOALS FITTING INSTRUCTION

COMPONENTS

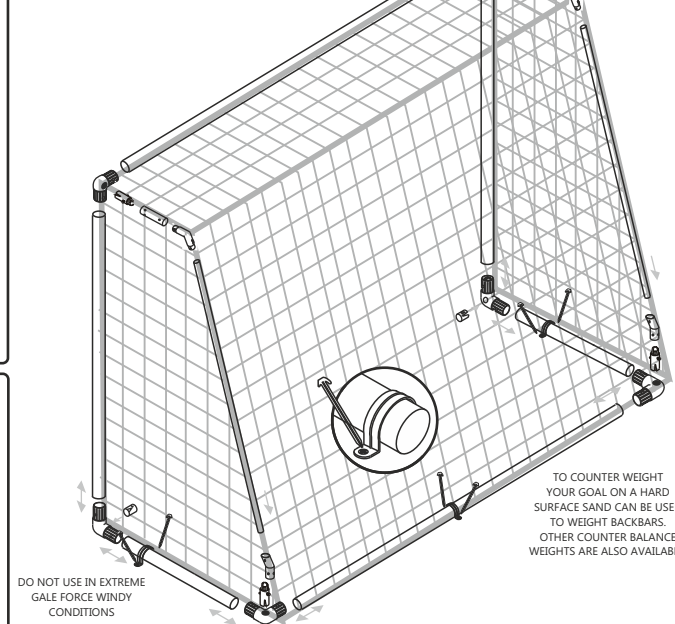
A	CORNER BRACKET	x6	
B	SPIGOT	x4	
C	BLANKING CAP	x2	
TTE	TOP TUBE ELBOW	x2	
LB	LOWER BACK	x2	
ST	SMALL STANCHION NET TIE	x14	
LG	LARGE NET TIE	x34	
I	SMALL QUICK RELEASE BUTTON	x4	
MSA	MULTI-SURFACE ANCHOR	x3	
GP	GROUND PEG	x6	
NET	GOAL NET	x1	

POST SECTIONS

K	CROSSBAR SECTION 2422mm LONG - 68mm	x1	
L	BACKBAR SECTION 2422mm LONG - 68mm	x1	
M	SIDEBAR SECTION 68mm Diameter	x2	
N	UPRIGHT SECTION 68mm Diameter	x2	
O	TOP STANCHION TUBE 40mm Diameter	x2	
P	BACK STANCHION TUBE 40mm Diameter	x2	

8' X 4' FOOTIEGOAL (with Base - one section)

FOOTIEGOALS FITTING INSTRUCTION



WE RESERVE THE RIGHTS TO AMEND THE SPECIFICATIONS OF OUR SOCCER PRODUCTS IN THE INTEREST OF CONTINUED DEVELOPMENT. YOUR PRODUCT THEREFORE MAY DIFFER SLIGHTLY TO THOSE ILLUSTRATED. LEACE WORLDWIDE © COPYRIGHT 2001 ITS GOAL POSTS LTD. ALL RIGHTS RESERVED A REGISTERED DESIGN

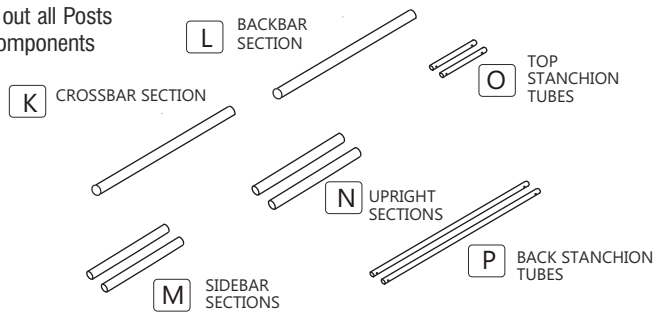
8X4 FOOTIE GOAL WITH BASE STEP BY STEP ASSEMBLY

FOR EASIER ASSEMBLY Use a rubber mallet and also spray furniture polish inside posts. Do not use a metal hammer. Do not apply grease or vaseline.

SPARE PARTS BACKUP
WWW.ITSAGOAL.CO.UK

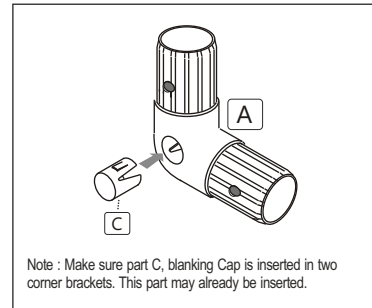
STEP 1

Lay out all Posts & components



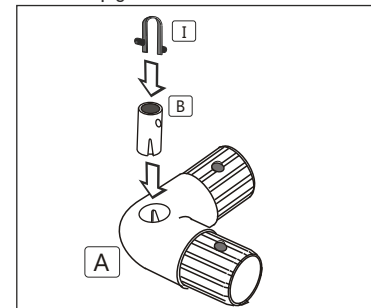
STEP 2

Insert Blanking Cap part C into two corners



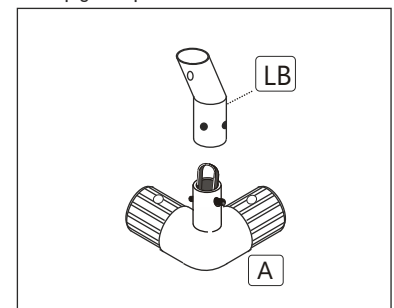
STEP 3

Insert Spigots B. into four corner brackets and insert the small quick release button I into the Spigots



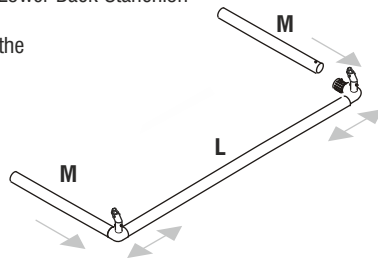
STEP 4

Insert the Lower Back Stanchion Connector LB into two of the corner bracket that already have the spigot in place.



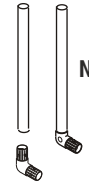
STEP 5

Firstly form the ground frame - Connect Backbar L with the Corner Brackets with the Lower Back Stanchion Connectors(parts from step 3) Insert the sidebar sections M into the Corner Brackets.



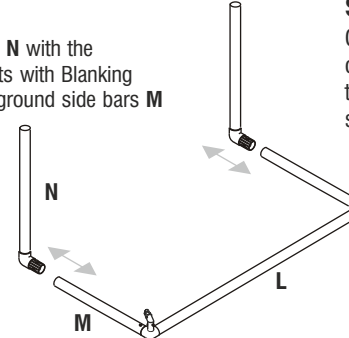
STEP 6

Insert Corner Brackets with Blanking Caps into upright posts N



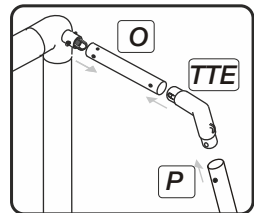
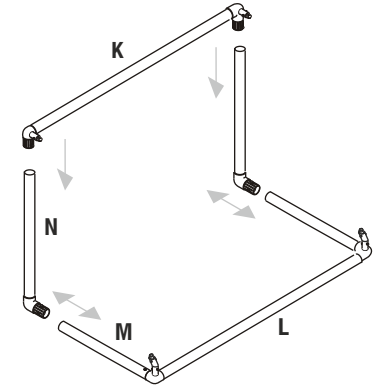
STEP 7

Insert uprights N with the Corner Brackets with Blanking Caps into the ground side bars M



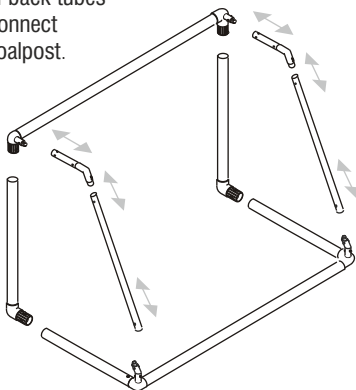
STEP 8

Connect the remaining corners brackets to the Crossbar K and slide onto the uprights



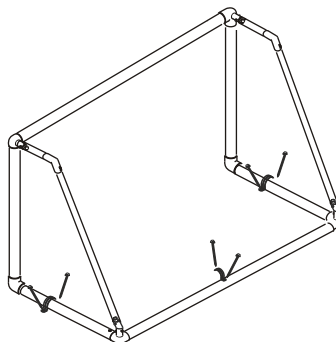
STEP 9

Join top tubes O with Top Tube Elbows TTE and back tubes P and connect to the goalpost.



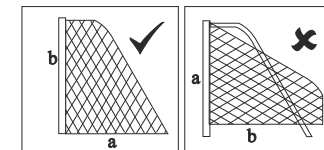
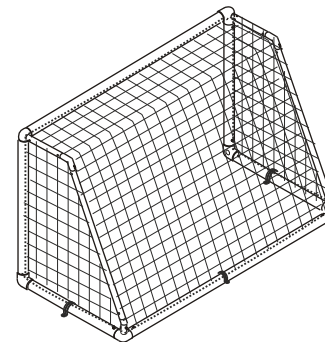
STEP 10

Attach Ground Anchors. Anchors must be inserted for the stability of the whole goal frame see details of use overleaf.



STEP 11

Start with each corner and attach the Net to the goal with the net ties. The net must be attached to use the goal.



SQUARE MESH Net is cut to shape. Simply throw over the frame and fit each end onto top stanchion by securing on each corner of crossbar.

NOTE: If your net does not fit the first time, you may be fitting it to the goal frame upside down i.e. that is to say the net from the crossbar to the floor (a) is longer than the length of the net to the bottom of the upright.(b)

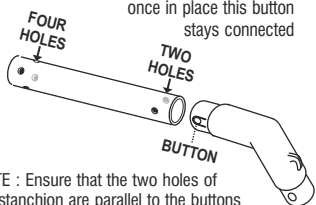
OPTIONAL - Net ties are ideal to fit nets tightly to the side ground frames and stanchions. This is ideally when nets are left attached to the fully assembled side frames.

TIE A CORD BETWEEN THE TOP STANCHION TUBES TO SUPPORT THE ROOF OF THE NET (THIS CAN BE LEFT TIED MIN POSITION WHEN DISMANTLED)

IF YOU WOULD LIKE TO CREATE A TIGHT FIT BETWEEN CORNER BRACKETS AND POSTS IT IS POSSIBLE TO ADD A SMALL AMOUNT OF MASKING TAPE(NOT INCLUDING) THIS CREATES A SEAL. IDEAL IF GOALS ARE LEFT IN SITU see over.

GOAL TIP

Press button in and out to warm up, this helps fitting, once in place this button stays connected



NOTE : Ensure that the two holes of the stanchion are parallel to the buttons of the Top Tube Elbow before connecting.