

COMPONENTS

A	CHROME BARREL LOCK & KEY	x2	
A1	BRASS BARREL LOCK & KEY	x1	
B	GROUND SOCKET	x2	
B1	SOCKET BOLT 45mm THREAD LENGTH	x2	
FXB	SLOT NET FIXING	x40	

POST SECTIONS

F	CROSSBAR SECTION with insert (Elliptical)	x1
F1	CROSSBAR SECTION (Elliptical)	x1
H	UPRIGHT SECTION (Elliptical)	x2

OPTIONAL

NET SUPPORT

POL	SUPPORT POLE & SOCKET	Refer to Order for correct TYPE
------------	-----------------------	---------------------------------

NET

NET	GOAL NET 24' X 8'	x1	Refer to Order for correct TYPE
------------	-------------------	----	---------------------------------

SOCKET CAP

CAP	OVAL LOCKING SOCKET CAP	x2	
KEY	HEAVY DUTY OVAL LOCKING SOCKET CAP	x2	
KEY	OVAL SOCKET CAP KEY	x1	

ACCESSORIES SUPPLIED IF PURCHASED WITH GOAL.

GP	GROUND PEG	x40	
	NET RETAINER - ALLOY	x1	
	NET RETAINER - STEEL	x1	

⚠ WARNING

MAKE SURE NO CHILDREN ARE PRESENT AT ANY TIME DURING GOAL INSTALLATION, REMOVAL OR ASSEMBLY.

GOALS MUST ALWAYS BE DISMANTLED IF NOT

GOAL ASSEMBLY - FITTING

- SLIDE THE UPRIGHTS INTO THE GROUND SOCKETS.
- CONNECT THE CROSSBAR SECTION TOGETHER AND LOCK IN THE CENTRE - ALWAYS FIT THE CROSSBAR WHEN IT IS LOCKED TOGETHER.
- WITH SUFFICIENT PEOPLE LIFT THE CROSSBAR ONTO THE TOP OF THE UPRIGHTS AND SLIDE DOWN INSIDE THE UPRIGHTS AND LOCK BOTH UPRIGHTS TO THE CROSSBAR

STADIUM SOCKETED

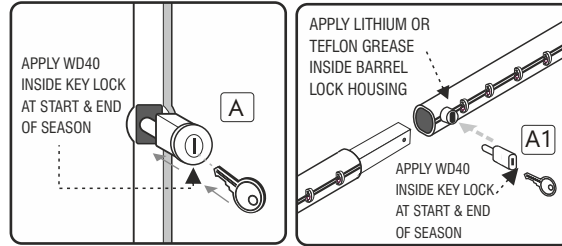
24' X 8' STADIUM ELLIPTICAL SOCKETED GOAL - 2 SECTION CROSSBAR

FITTING INSTRUCTION

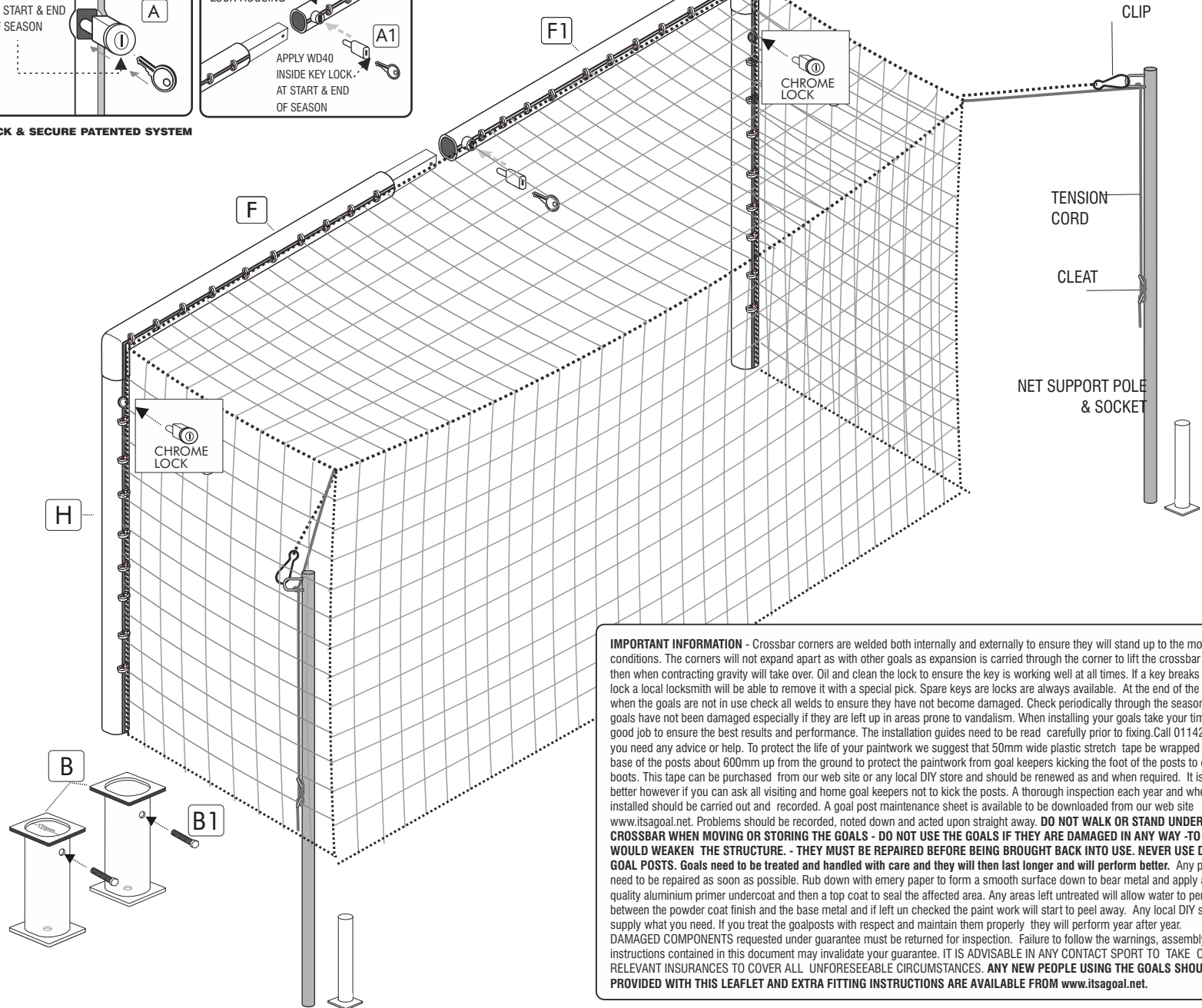


www.itsagoal.co.uk
SPARE PARTS TEL: 0114 242 4244

WE RESERVE THE RIGHTS TO AMEND THE SPECIFICATIONS OF OUR SOCCER PRODUCTS IN THE INTEREST OF CONTINUED DEVELOPMENT. YOUR PRODUCT THEREFORE MAY DIFFER SLIGHTLY TO THOSE ILLUSTRATED. E&OE



LOCK & SECURE PATENTED SYSTEM

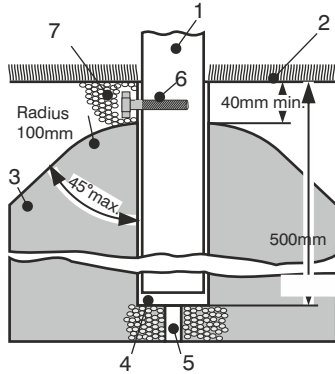


IMPORTANT INFORMATION - Crossbar corners are welded both internally and externally to ensure they will stand up to the most rigorous conditions. The corners will not expand apart as with other goals as expansion is carried through the corner to lift the crossbar slightly and then when contracting gravity will take over. Oil and clean the lock to ensure the key is working well at all times. If a key breaks inside the lock a local locksmith will be able to remove it with a special pick. Spare keys are always available. At the end of the season when the goals are not in use check all welds to ensure they have not become damaged. Check periodically through the season that the goals have not been damaged especially if they are left up in areas prone to vandalism. When installing your goals take your time and do a good job to ensure the best results and performance. The installation guides need to be read carefully prior to fixing. Call 01142424244 if you need any advice or help. To protect the life of your paintwork we suggest that 50mm wide plastic stretch tape be wrapped around the base of the posts about 600mm up from the ground to protect the paintwork from goal keepers kicking the foot of the posts to clean boots. This tape can be purchased from our web site or any local DIY store and should be renewed as and when required. It is much better however if you can ask all visiting and home goal keepers not to kick the posts. A thorough inspection each year and when goals are installed should be carried out and recorded. A goal post maintenance sheet is available to be downloaded from our web site www.itsagoal.net. Problems should be recorded, noted down and acted upon straight away. **DO NOT WALK OR STAND UNDER THE CROSSBAR WHEN MOVING OR STORING THE GOALS - DO NOT USE THE GOALS IF THEY ARE DAMAGED IN ANY WAY - TO DO SO WOULD WEAKEN THE STRUCTURE - THEY MUST BE REPAIRED BEFORE BEING BROUGHT BACK INTO USE. NEVER USE DAMAGED GOAL POSTS.** Goals need to be treated and handled with care and they will then last longer and will perform better. Any paint chips need to be repaired as soon as possible. Rub down with emery paper to form a smooth surface down to bare metal and apply a good quality aluminium primer undercoat and then a top coat to seal the affected area. Any areas left untreated will allow water to penetrate between the powder coat finish and the base metal and if left unchecked the paint work will start to peel away. Any local DIY store will supply what you need. If you treat the goalposts with respect and maintain them properly they will perform year after year. DAMAGED COMPONENTS requested under guarantee must be returned for inspection. Failure to follow the warnings, assembly and fitting instructions contained in this document may invalidate your guarantee. IT IS ADVISABLE IN ANY CONTACT SPORT TO TAKE OUT THE RELEVANT INSURANCES TO COVER ALL UNFORESEEABLE CIRCUMSTANCES. **ANY NEW PEOPLE USING THE GOALS SHOULD BE PROVIDED WITH THIS LEAFLET AND EXTRA FITTING INSTRUCTIONS ARE AVAILABLE FROM www.itsagoal.net.**

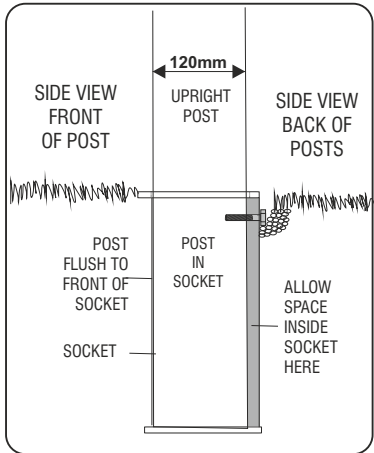
GROUND SOCKET *Installation diagram*

- 1 Upright
- 2 Sport Surface
- 3 Concrete Block
- 4 Ground Socket
- 5 Drainage Hole
- 6. Socket Bolt
- 7. Pea Gravel

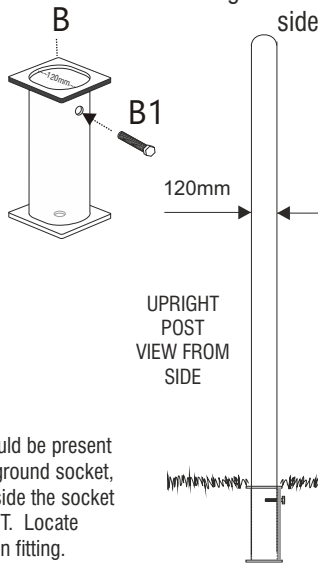
Note 'Socket bolt' must be inserted to prevent ingress of soil into ground socket. Put a dab of grease on it and insert the screw into the hole and just leave it in place. At any time in the future it can be locked'.



IMPORTANT- GOALPOST GROUND SOCKET



GOAL POST
in ground socket
side view



Grey area on diagram denotes the space that should be present once goal is inserted in socket. When fitting any ground socket, tape the top over to prevent concrete dropping inside the socket DURING INSTALLATION OF THE GROUND SOCKET. Locate Upright locking screw to the back of the post when fitting.

GOALPOST PROTECTOR TAPE
AVAILABLE SEPARATELY

Protects paintwork at the base of the upright.

TO PURCHASE VISIT www.itsagoal.co.uk

LOCKABLE GROUND SOCKET CAPS
ARE AVAILABLE SEPARATELY

To cover and protect Ground Socket.

TO PURCHASE VISIT www.itsagoal.co.uk

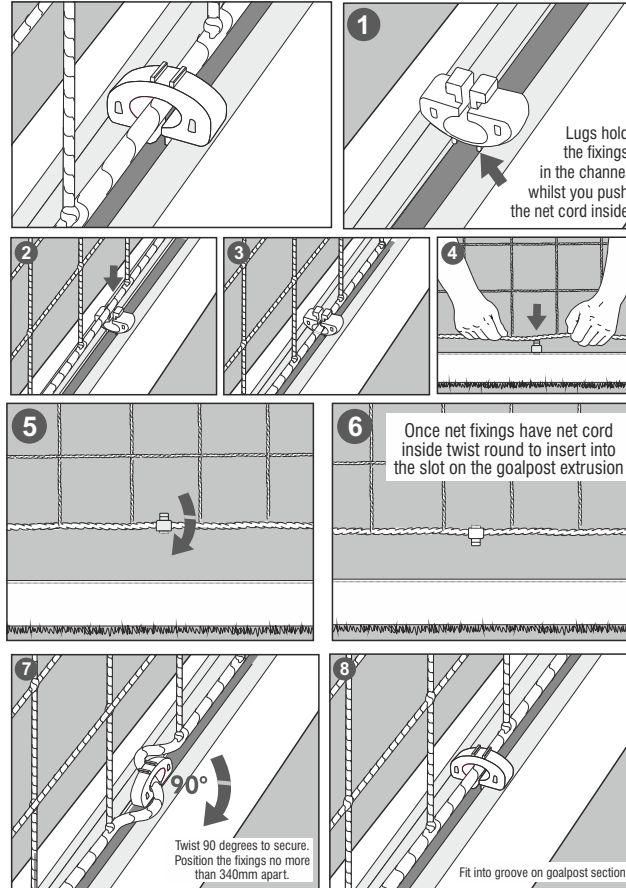


MADE IN ENGLAND www.itsagoal.co.uk

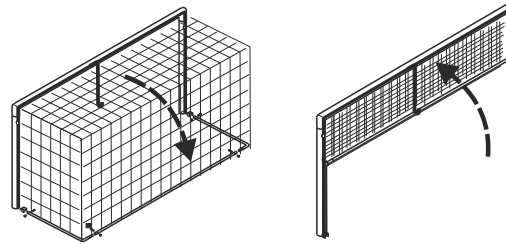
For spare parts or additional products call the goal-line
0114 242 4244

Goalpost Slot Net Fixing *Fitting Instructions*

A net fixing that works on most aluminum goalposts that have a slot on the rear of the posts. This net fixing can be left in place in the slot on the goal extrusion or can be twisted out and left attached in position on the net. To attached the net turn the net fixing upside down and lay it into the slot with the opening facing up. Do this with goal post extrusion laid on the ground. The two lugs on the top of the fixing will hold the fixing clip firmly in the goalpost slot upside down to enable the net to be pushed through the opening on the back of the fixing. This is a unique design feature that makes it easier to insert the net inside the fixing compared to other similar types of net fittings. Much easier to fit than other similar net fixings.

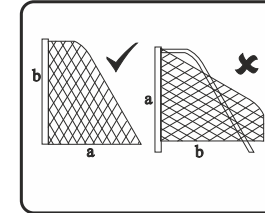


OPTIONAL NET RETAINER - designed to quickly lift nets for grass cutting.

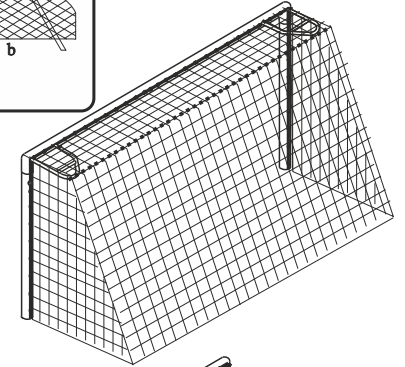


Net Fixing

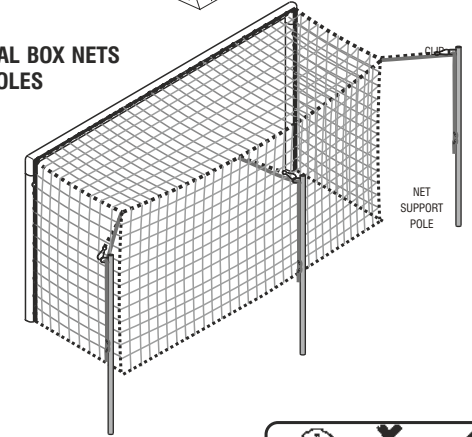
STEP 1 Attach the net to the net fixings on the crossbar and uprights. Fit the corners of the net to the top of each upright first then clip the net onto all other net fixings.
STEP 2 Insert the red safety pegs (optional) to peg your net to the ground, fit corners first. Always insert pegs at an angle. When removing pegs use the back of a peg to take out. Do remove pegs by pulling nets.
STEP 4 The net will have a net head cord. This is to lift the roof of the goal up behind the crossbar. Wrap the cord on the top of the net support on one side and tie off then go to the other side and pull tight and then wrap around the top support and tie off.



STANDARD NET



OPTIONAL BOX NETS WITH POLES



GROUND PEGS

LONGER GROUND PEGS ARE AVAILABLE SEPARATELY.

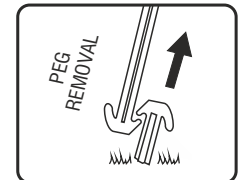
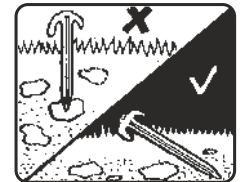
STANDARD

200mm

SOFTER GROUND

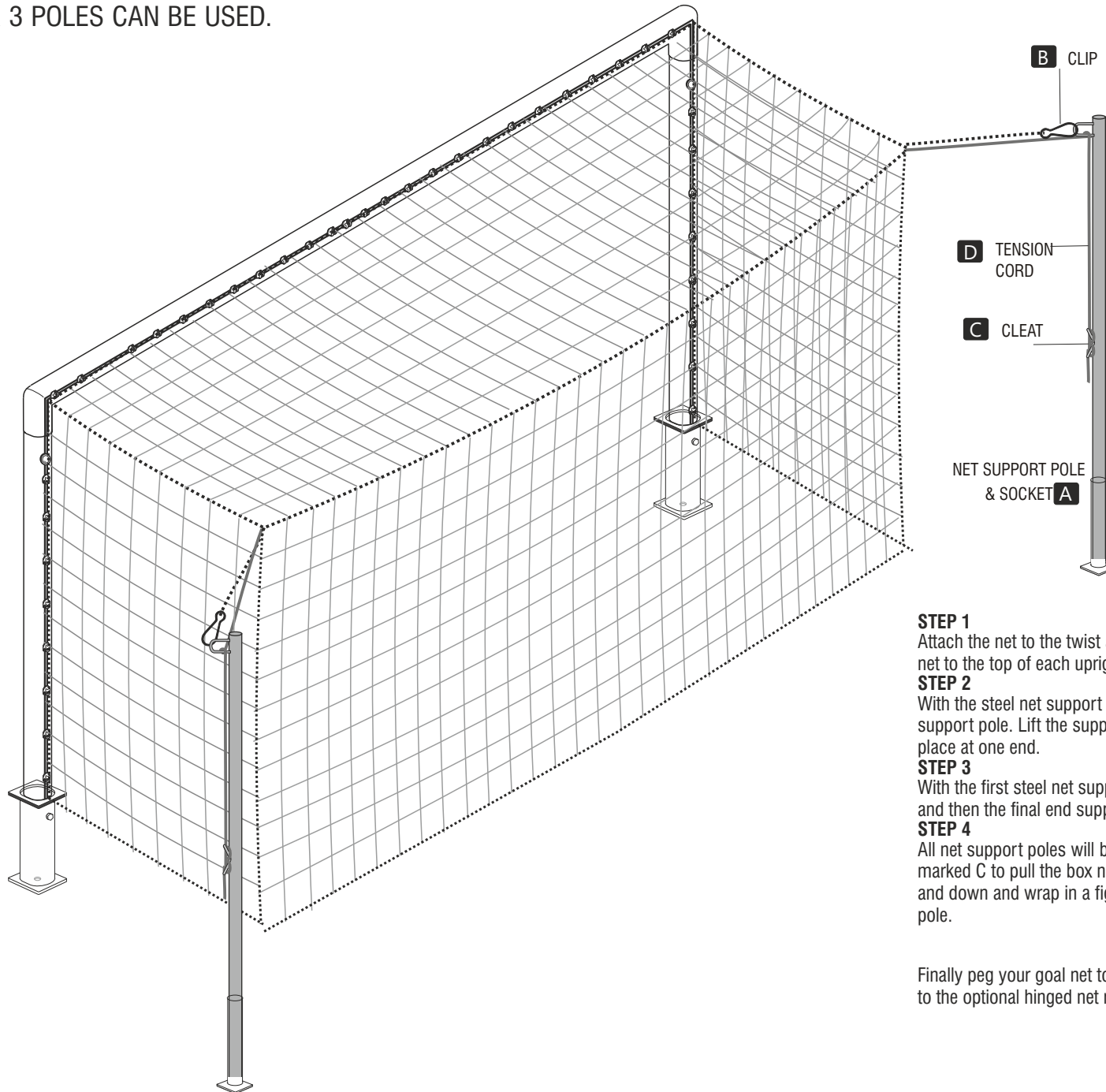
300mm

Longer pegs are to be used on sandy or Soft ground earth. **A risk assessment of soil conditions suitability should be carried out when anchors are to be used.**

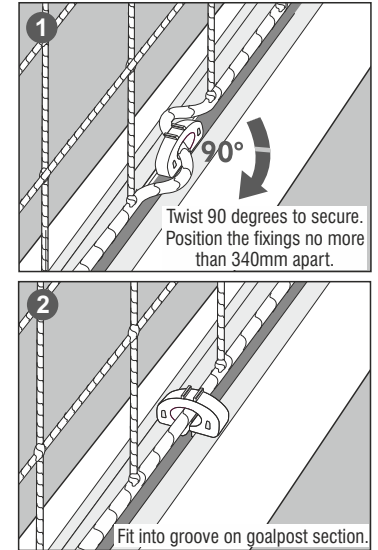


BOX SHAPED NET FITTING INSTRUCTIONS

FOR OVAL SOCKETED STADIUM ALUMINIUM GOALS
2 OR 3 POLES CAN BE USED.



GOALPOST SLOT NET FIXINGS FOR THE CROSSBAR & UPRIGHTS



STEP 1

Attach the net to the twist and lock net fixings on the crossbar and uprights. Fit the corners of the net to the top of each upright first then clip the net onto all other net fixings.

STEP 2

With the steel net support pole laid flat on the floor attach the clip (B) to the end/top of the net support pole. Lift the support pole in the air and insert into the ground socket so that one pole is in place at one end.

STEP 3

With the first steel net support pole (A) in place, repeat this step and fit the middle support pole and then the final end support pole.

STEP 4

All net support poles will be in place now with the net hanging loosely. Now use the tension cord marked C to pull the box nets tightly to create a tensioned straight box shape. Pull the cord back and down and wrap in a figure of eight onto the cleat to hold in place. Repeat this step on each pole.

Finally peg your goal net to the ground if the goal is being used on grass or alternatively fit the net to the optional hinged net retainer - see separate fitting instructions.