

COMPONENTS

A	CORNER BRACKET 4 HOLES	x4	
X	CORNER BRACKET UPRIGHT 8 HOLES	x2	
B	SPIGOT	x4	
C	BLANKING CAP	x2	
D	MULTI-SURFACE ANCHOR	x2	
E	GROUND PEG	x4	
F	STANCHION ELBOW	x2	
G	LOWER BACK STANCHION CONNECTOR	x2	
H	LARGE QUICK RELEASE BUTTON	x12	
I	SMALL QUICK RELEASE BUTTON	x8	
J	NET TIE	x18	
K	ARROW HEAD NET FIXING with attached LOCKING PIN	x20	
NET	GOAL NET 12' x 4'	x1	

POST SECTIONS

L	CROSSBAR SECTION 3628mm LONG - 68mm Diameter	x1	
M	BACKBAR SECTION 3628mm LONG - 68mm Diameter	x1	
N	SIDEBAR SECTION 865mm LONG - 68mm Diameter	x2	
O	UPRIGHT SECTION 1205mm LONG - 68mm Diameter	x2	
P	TOP STANCHION TUBE 239mm LONG - 40mm Diameter	x2	
Q	BACK STANCHION TUBE 1265mm LONG - 40mm Diameter	x2	

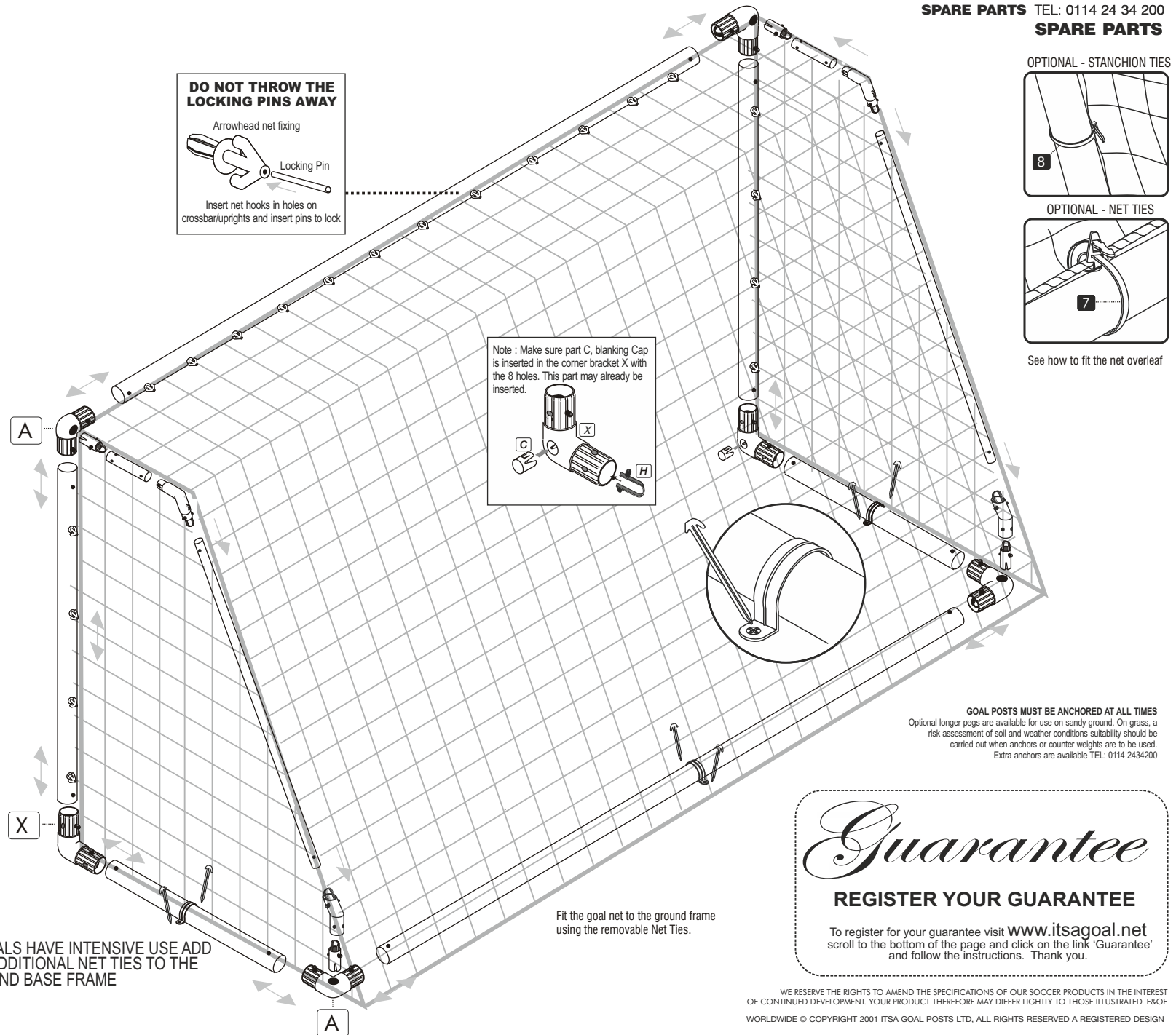
CARE & MAINTENANCE - see separate sheet supplied or visit www.itsagoal.net for additional copies. Our goalpost if used correctly will last many years. We do also offer a full spare part service and if your goals need refurbishment this can be arranged

12' X 4' FIVE-A-SIDE MULTI-SURFACE GOAL (12' x 4') - One section crossbar.

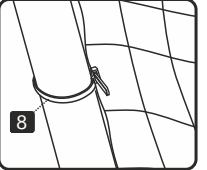
FITTING INSTRUCTION

tsaGoal
www.itsagoal.net

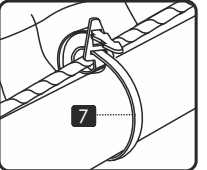
SPARE PARTS TEL: 0114 24 34 200
SPARE PARTS



OPTIONAL - STANCHION TIES



OPTIONAL - NET TIES



See how to fit the net overleaf

GOAL POSTS MUST BE ANCHORED AT ALL TIMES
Optional longer pegs are available for use on sandy ground. On grass, a risk assessment of soil and weather conditions suitability should be carried out when anchors or counter weights are to be used.
Extra anchors are available TEL: 0114 2434200

Guarantee

REGISTER YOUR GUARANTEE

To register for your guarantee visit www.itsagoal.net scroll to the bottom of the page and click on the link 'Guarantee' and follow the instructions. Thank you.

Fit the goal net to the ground frame using the removable Net Ties.

IF GOALS HAVE INTENSIVE USE ADD THE ADDITIONAL NET TIES TO THE GROUND BASE FRAME

WE RESERVE THE RIGHTS TO AMEND THE SPECIFICATIONS OF OUR SOCCER PRODUCTS IN THE INTEREST OF CONTINUED DEVELOPMENT. YOUR PRODUCT THEREFORE MAY DIFFER LIGHTLY TO THOSE ILLUSTRATED. E&OE WORLDWIDE © COPYRIGHT 2001 ITSA GOAL POSTS LTD. ALL RIGHTS RESERVED A REGISTERED DESIGN

STEP BY STEP ASSEMBLY FOR EASIER ASSEMBLY Use a rubber mallet and also spray furniture polish inside posts. Do not use a metal hammer. Do not apply grease or vaseline.

STEP 1

Lay out all Posts & components

L CROSSBAR SECTION
3628mm

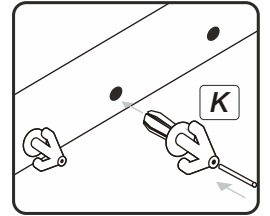
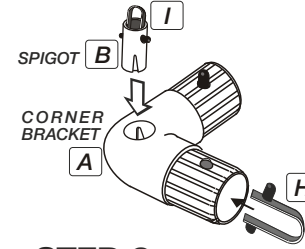
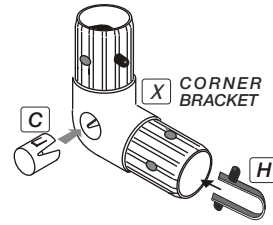
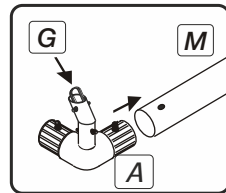
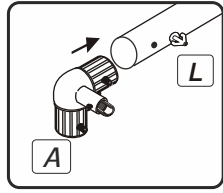
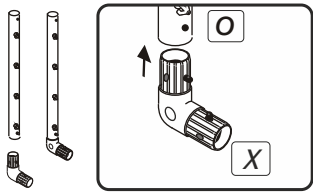
M BACKBAR SECTION
3628mm

N SIDEBAR SECTION
1360mm

O UPRIGHT SECTION
1205mm

P TOP STANCHION TUBE

Q BACK STANCHION TUBE



STEP 2

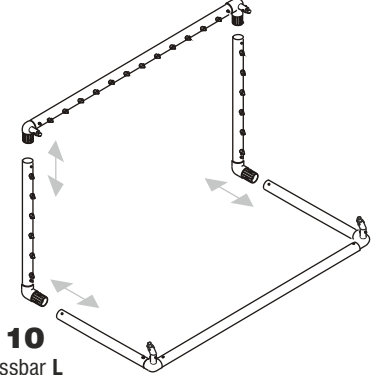
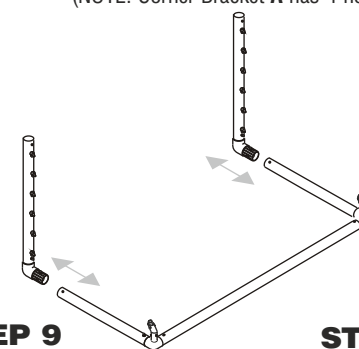
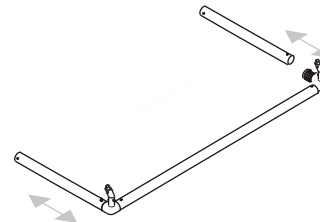
Insert Blanking Cap part **C** and insert Large Quick Release Button **H** (x2) into Corner Bracket **X**. (NOTE: Corner Bracket **X** is different from Corner Bracket **A**. Corner Bracket **X** is to be fitted into the upright posts and has 8 holes.

STEP 3

Insert Small Quick Release Black Button **I** into the Spigot **B**. Insert Spigot **B** and insert **H** (x2) into Corner Bracket **A**. (NOTE: Corner Bracket **A** has 4 holes)

STEP 4

Insert Arrow Head Net Fixings **K** into Upright Posts and Crossbar. **DO NOT THROW AWAY LOCKING PINS**



STEP 5

Insert Corner Brackets **X** into the upright posts **O** (uprights have logos on the side)

STEP 6

Insert Corner Brackets **A** into each end of the crossbar **L**

STEP 7

Insert Corner Brackets **A** into each end of the Backbar **M**

STEP 8

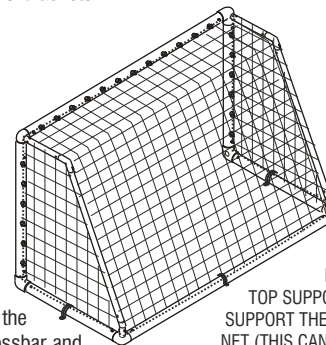
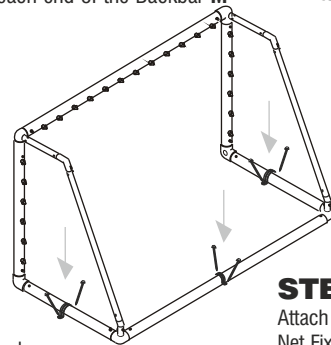
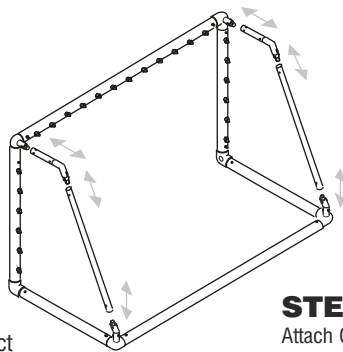
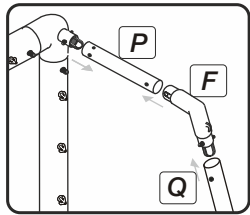
Attach Side bars **N** to the ground back bar by slotting into the corners brackets

STEP 9

Attach Upright **O** to the Side bars **N**

STEP 10

Attach Crossbar **L** to uprights **O**



STEP 11

Join top tubes **P** to elbows **F** and back tubes **Q** and connect to the goalpost.

STEP 12

Attach Ground Anchors see details of use overleaf.

STEP 13

Attach The Net to the Net Fixings on crossbar and uprights and net ties on the ground frame. Start with each corner.

TIE A CORD BETWEEN THE TOP SUPPORT TUBES TO SUPPORT THE ROOF OF THE NET (THIS CAN BE LEFT TIED IN POSITION WHEN DISMANTLED)

FASTER MATCH DAY
ASSEMBLY & DISASSEMBLY

The goal net can be left attached to the pre-assembled goal post side frames. After games detach crossbar and back bar for storage. We advise fitting the optional net ties to the side frames and stanchions.

OPTIONAL - Net ties are ideal to fit to stanchions. This is ideally when nets are left attached to the fully assembled side frames.

ANCHORING YOUR GOAL ON GRASS - POSITION YOUR GOAL ON A LEVEL PLAYING SURFACE. PLACE THE MULTI-SURFACE ANCHOR OVER EACH SIDE OF THE GROUND FRAME (POSITIONS SHOWN) HAMMER THE PEGS DOWN UNDER THE FRAME INTO THE GRASS. ADDITIONAL ANCHORS OR LARGER PEGS CAN BE PURCHASED FOR USE ON SOFT GROUND OR SAND. THESE ANCHORS CAN BE USED FOR HARD SURFACES, SUCH AS TARMAC BY USING BOLTS THROUGH THE MULTI SURFACE ANCHORS INTO CONCRETE PADS. COUNTER BALANCE WEIGHTS CAN ALSO BE USED (SUPPLIED SEPARATELY). CHAINS ARE AVAILABLE SEPARATELY THAT CAN BE USED TO SECURE GOALS TO SEPARATE ANCHOR POINTS.

