

16' X 7' MULTI-SURFACE YOUTH GOAL (16' x 7') - Three section crossbar.

FITTING INSTRUCTION

tsaGoal

www.itsagoal.co.uk

TEL: 0114 242 4244

SPARE PARTS

COMPONENTS

A	CORNER BRACKET 4 HOLES	x4	
X	CORNER BRACKET UPRIGHT 8 HOLES	x2	
B	SPIGOT	x4	
C	BLANKING CAP	x2	
D	MULTI-SURFACE ANCHOR	x5	
E	GROUND PEG	x10	
F	STANCHION ELBOW	x2	
G	LOWER BACK STANCHION CONNECTOR	x2	
H	LARGE QUICK RELEASE BUTTON	x12	
I	SMALL QUICK RELEASE BUTTON	x8	
J	NET TIE	x40	
K	STRAIGHT CONNECTOR	x2	
L	ARROW HEAD NET FIXING with attached LOCKING PIN	x31	
NET	GOAL NET 16' x 7'	x1	

POST SECTIONS

M	CROSSBAR SECTION with insert 1614mm LONG - 68mm Diameter	x2	
M1	CROSSBAR SECTION 1614mm LONG - 68mm Diameter	x1	
N	BACKBAR SECTION 1614 mm LONG - 68mm Diameter	x3	
O	SIDEBAR SECTION 1726mm LONG - 68mm Diameter	x2	
P	UPRIGHT SECTION 2031mm LONG - 68mm Diameter	x2	
Q	TOP STANCHION TUBE 630mm LONG - 40mm Diameter	x2	
R	BACK STANCHION TUBE 2232mm LONG - 40mm Diameter	x2	

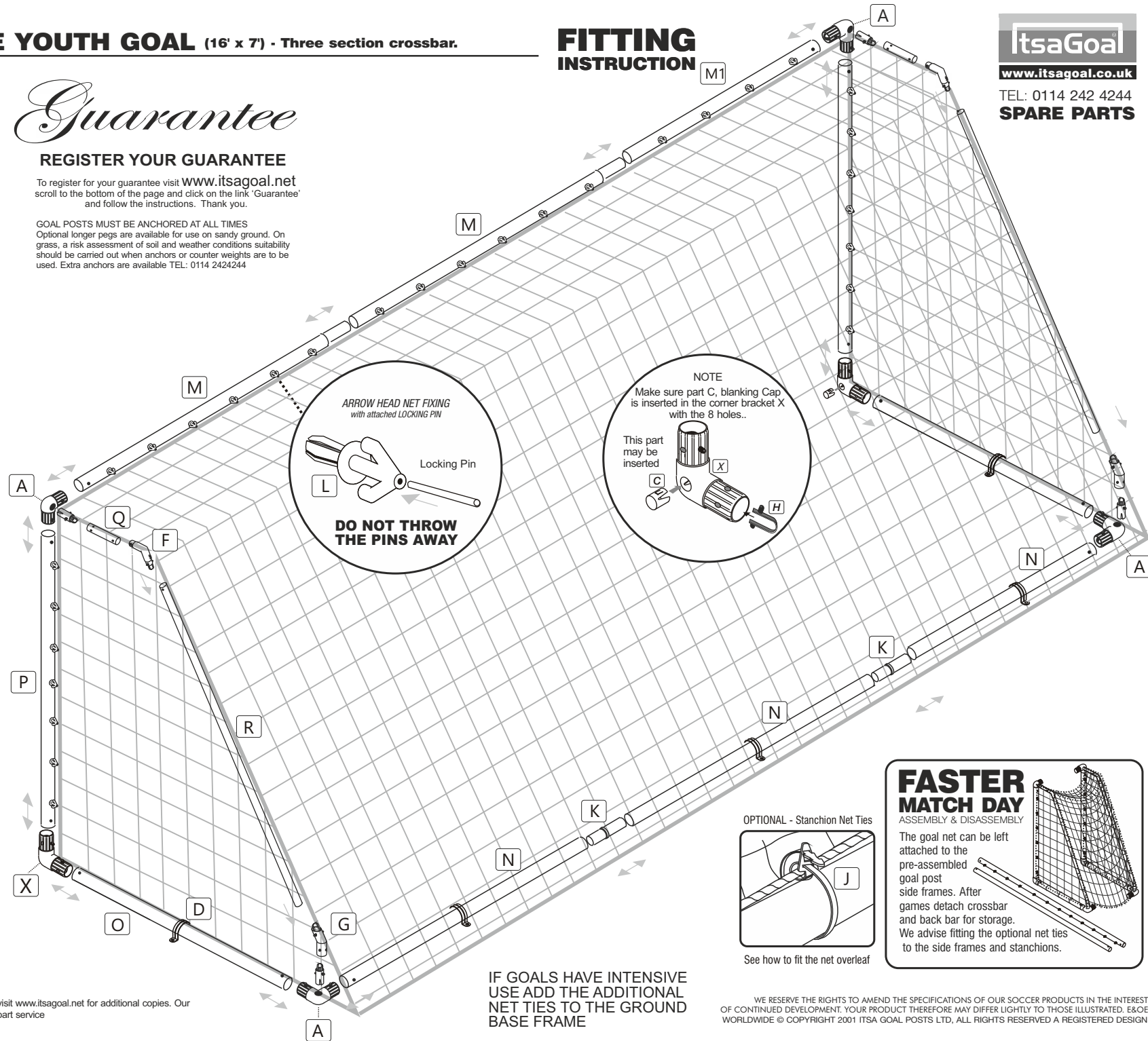
CARE & MAINTENANCE - see separate sheet supplied or visit www.itsagoal.net for additional copies. Our goalpost if used correctly will last many years. We do also offer a full spare part service and if your goals need refurbishment this can be arranged

Guarantee

REGISTER YOUR GUARANTEE

To register for your guarantee visit www.itsagoal.net scroll to the bottom of the page and click on the link 'Guarantee' and follow the instructions. Thank you.

GOAL POSTS MUST BE ANCHORED AT ALL TIMES
Optional longer pegs are available for use on sandy ground. On grass, a risk assessment of soil and weather conditions suitability should be carried out when anchors or counter weights are to be used. Extra anchors are available TEL: 0114 2424244



IF GOALS HAVE INTENSIVE USE ADD THE ADDITIONAL NET TIES TO THE GROUND BASE FRAME

FASTER MATCH DAY

ASSEMBLY & DISASSEMBLY

The goal net can be left attached to the pre-assembled goal post side frames. After games detach crossbar and back bar for storage. We advise fitting the optional net ties to the side frames and stanchions.

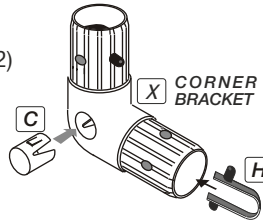
WE RESERVE THE RIGHTS TO AMEND THE SPECIFICATIONS OF OUR SOCCER PRODUCTS IN THE INTEREST OF CONTINUED DEVELOPMENT. YOUR PRODUCT THEREFORE MAY DIFFER LIGHTLY TO THOSE ILLUSTRATED. E&OE WORLDWIDE © COPYRIGHT 2001 ITSA GOAL POSTS LTD, ALL RIGHTS RESERVED A REGISTERED DESIGN

STEP 1

Lay out all Posts & components

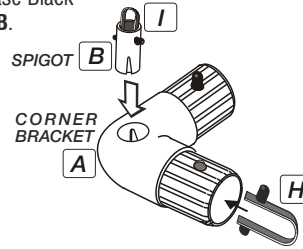
STEP 2

Insert Blanking Cap part **C** and insert Large Quick Release Button **H** (x2) into Corner Bracket **X**. (NOTE: Corner Bracket **X** is different from Corner Bracket **A**. Corner Bracket **X** is to be fitted into the upright posts and has 8 holes.



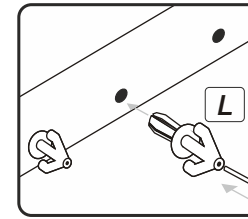
STEP 3

Insert Small Quick Release Black Button **I** into the Spigot **B**. Insert Spigot **B** and insert **H** (x2) into Corner Bracket **A**. (NOTE: Corner Bracket **A** has 4 holes)



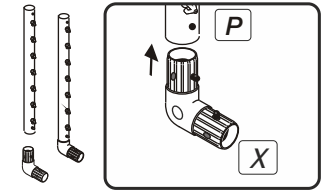
STEP 4

Insert Arrow Head Net Fixings **L** into Upright Posts and Crossbar. **DO NOT THROW AWAY LOCKING PINS**



STEP 5

Insert Corner Brackets **X** into the upright posts **P** (uprights have logos on the side)

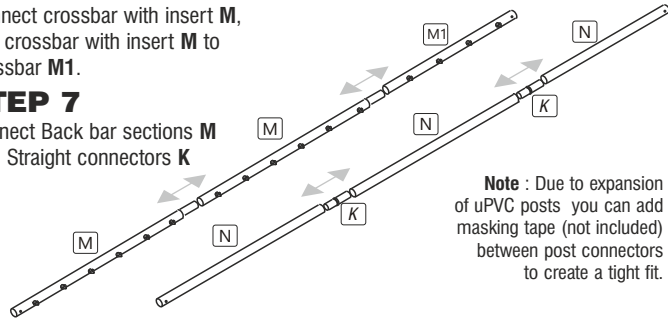


STEP 6

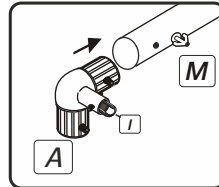
Connect crossbar with insert **M**, into crossbar with insert **M** to crossbar **M1**.

STEP 7

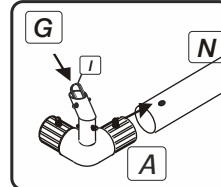
Connect Back bar sections **M** with Straight connectors **K**



Note : Due to expansion of uPVC posts you can add masking tape (not included) between post connectors to create a tight fit.



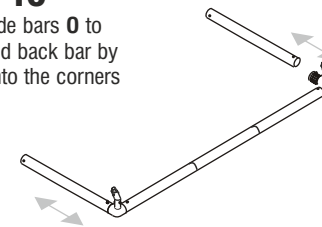
STEP 8 Insert Corner Brackets **A** into each end of the crossbar **M,M1**



STEP 9 Insert Corner Brackets **A** into each end of the Backbar **N,N1**. Also slide on and lock lower back stanchion connectors **G** with **I** inserted.

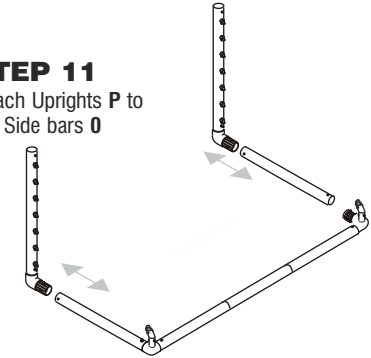
STEP 10

Attach Side bars **O** to the ground back bar by slotting into the corners brackets



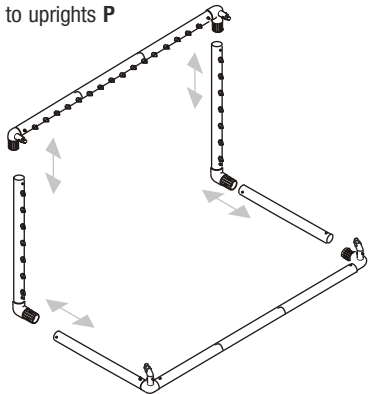
STEP 11

Attach Uprights **P** to the Side bars **O**



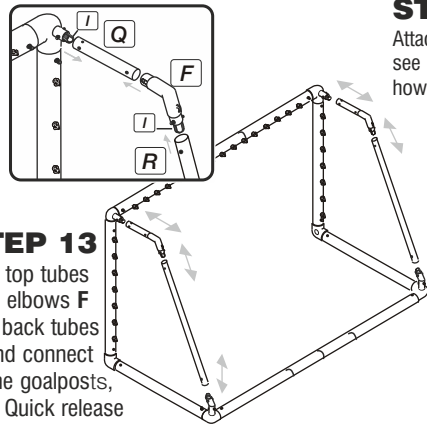
STEP 12

Attach Crossbar **M** to uprights **P**



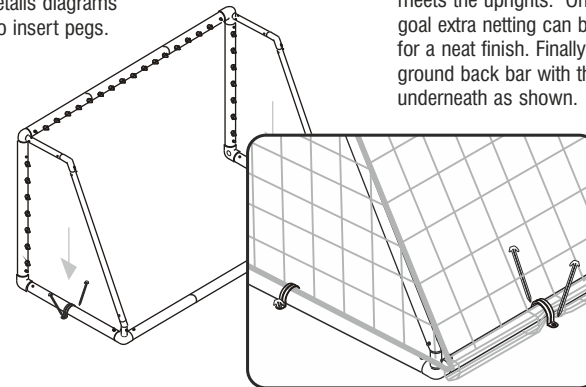
STEP 13

Join top tubes **Q** to elbows **F** and back tubes **R** and connect to the goalposts. Add Quick release buttons **I** to lock parts.



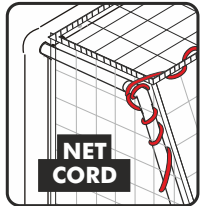
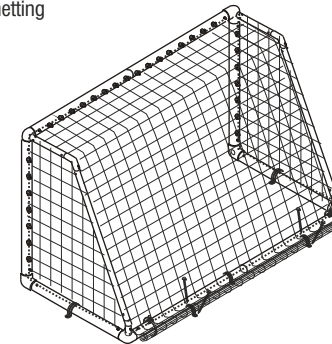
STEP 14

Attach the Multi surface Ground Anchors **D&E** see details diagrams how to insert pegs.



STEP 15

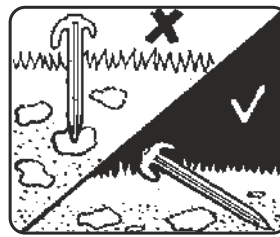
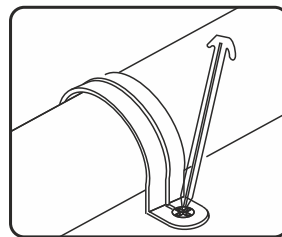
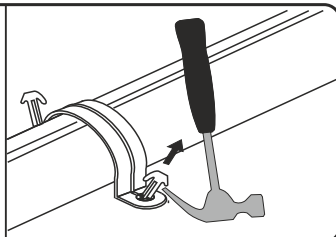
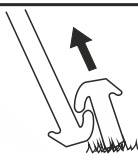
Fit the net - attach the net to each corner first where the crossbar meets the uprights. On the back ground bar at the back of the goal extra netting can be rolled and tied to the back ground bar for a neat finish. Finally add the two remaining anchors on the ground back bar with the netting underneath as shown.



To define the roof of the net Tie the cord to one side and pull the net cord tight and wrap neatly down and around the stanchion tube. If you are regularly attaching or detaching the net then apply coloured tape to the roof corners to help identify. **OPTIONAL** - Small Net ties(not included) are ideal to fit nets tightly to the stanchions. This is ideally when nets are left attached to the fully assembled side frames.

GROUND PEG REMOVAL

USE THE HOOK ON THE END OF THE RED GROUND PEG TO REMOVE PEGS FROM THE GROUND OR USE A CLAW HAMMER FOR PEGS THAT ARE DIFFICULT TO REMOVE.



LONGER GROUND PEGS ARE AVAILABLE SEPARATELY.
STANDARD 200mm
SOFTER GROUND 300mm

Longer pegs are to be used on sandy or Soft ground earth. A risk assessment of soil conditions suitability should be carried out when anchors are to be used.

