

16' X 7' MULTI-SURFACE YOUTH GOAL (16' x 7') - Three section crossbar.

FITTING INSTRUCTION



www.itsagoal.co.uk

TEL: 0114 242 4244

SPARE PARTS

COMPONENTS

A	CORNER BRACKET 4 HOLES	x4	
X	CORNER BRACKET UPRIGHT 8 HOLES	x2	
B	SPIGOT	x4	
C	BLANKING CAP	x2	
D	MULTI-SURFACE ANCHOR	x5	
E	GROUND PEG	x10	
F	STANCHION ELBOW	x2	
G	LOWER BACK STANCHION CONNECTOR	x2	
H	LARGE QUICK RELEASE BUTTON	x12	
I	SMALL QUICK RELEASE BUTTON	x12	
J	NET TIE	x60	
K	STRAIGHT CONNECTOR	x2	
SC	STANTION CONNECTOR	x2	
NET	GOAL NET 16' x 7'	x1	

Guarantee

REGISTER YOUR GUARANTEE

To register for your guarantee visit www.itsagoal.net scroll to the bottom of the page and click on the link 'Guarantee' and follow the instructions. Thank you.

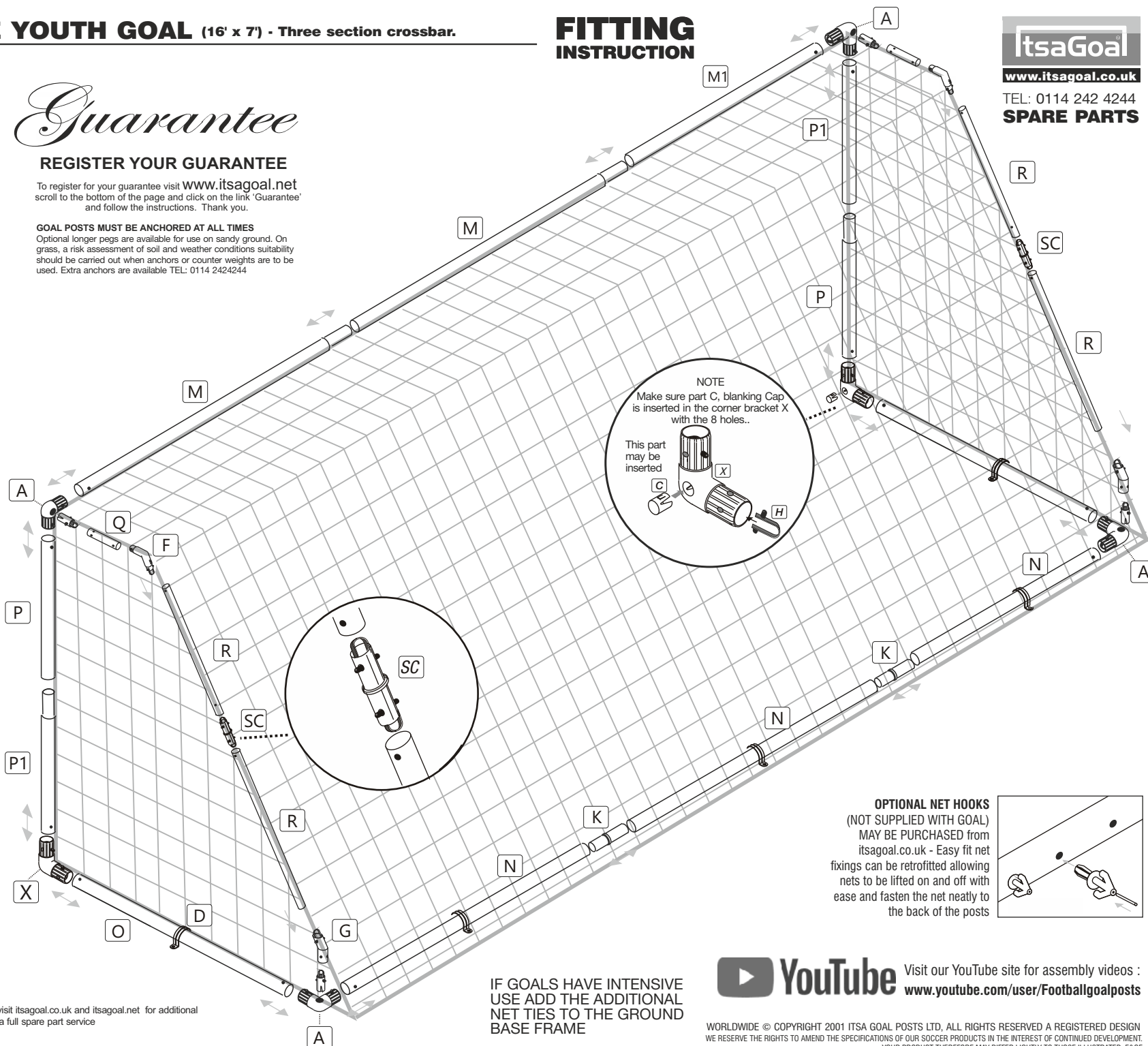
GOAL POSTS MUST BE ANCHORED AT ALL TIMES

Optional longer pegs are available for use on sandy ground. On grass, a risk assessment of soil and weather conditions suitability should be carried out when anchors or counter weights are to be used. Extra anchors are available TEL: 0114 2424244

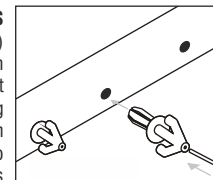
POST SECTIONS

M	CROSSBAR SECTION with insert 1614mm LONG - 68mm Diameter	x2	
M1	CROSSBAR SECTION 1614mm LONG - 68mm Diameter	x1	
N	BACKBAR SECTION 1614 mm LONG - 68mm Diameter	x3	
O	SIDEBAR SECTION 1726mm LONG - 68mm Diameter	x2	
P	UPRIGHT SECTION with insert 2031mm LONG - 68mm Diameter	x2	
P1	UPRIGHT SECTION 2031mm LONG - 68mm Diameter	x2	
Q	TOP STANCHION TUBE 630mm LONG - 40mm Diameter	x2	
R	BACK STANCHION TUBE - 40mm Diameter	x4	

CARE & MAINTENANCE - see separate sheet supplied or visit itsagoal.co.uk and itsagoal.net for additional copies. Our goalpost if used correctly will last many years. We do also offer a full spare part service and if your goals need refurbishment this can be arranged



OPTIONAL NET HOOKS
(NOT SUPPLIED WITH GOAL)
MAY BE PURCHASED from itsagoal.co.uk - Easy fit net fixings can be retrofitted allowing nets to be lifted on and off with ease and fasten the net neatly to the back of the posts



IF GOALS HAVE INTENSIVE USE ADD THE ADDITIONAL NET TIES TO THE GROUND BASE FRAME



Visit our YouTube site for assembly videos : www.youtube.com/user/Footballgoalposts

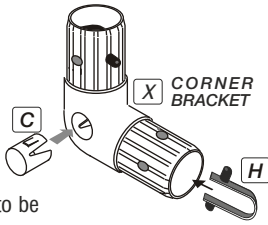
WORLDWIDE © COPYRIGHT 2001 ITSA GOAL POSTS LTD, ALL RIGHTS RESERVED A REGISTERED DESIGN WE RESERVE THE RIGHTS TO AMEND THE SPECIFICATIONS OF OUR SOCCER PRODUCTS IN THE INTEREST OF CONTINUED DEVELOPMENT. YOUR PRODUCT THEREFORE MAY DIFFER LIGHTLY TO THOSE ILLUSTRATED. E&OE

STEP 1

Layout all Posts & components

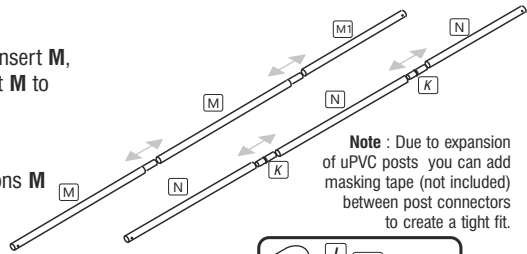
STEP 2

Insert Blanking Cap part C and insert Large Quick Release Button H (x2) into Corner Bracket X. (NOTE: CornerBracket X is different from Corner Bracket A. Corner Bracket X is to be fitted into the upright posts and has 8 holes.



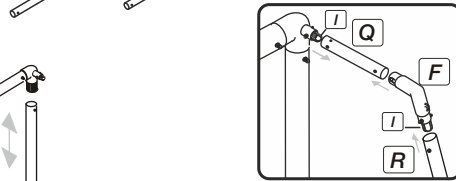
STEP 5

Connect crossbar with insert M, into crossbar with insert M to crossbar M1.



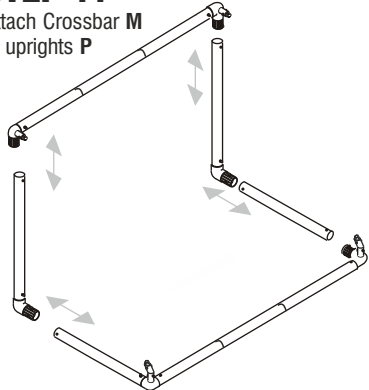
STEP 6

Connect Back bar sections M with Straight connectors K



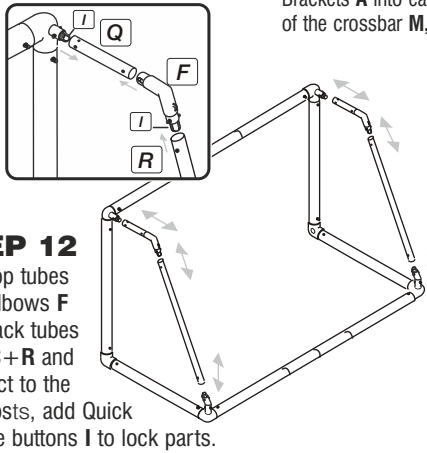
STEP 11

Attach Crossbar M to uprights P



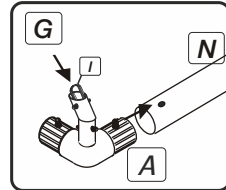
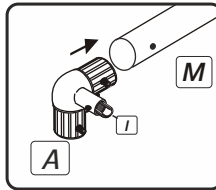
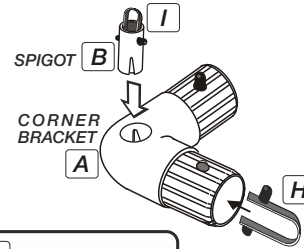
STEP 12

Join top tubes Q to elbows F and back tubes R+SC+R and connect to the goalposts, add Quick release buttons I to lock parts.



STEP 3

Insert Small Quick Release Black Button I into the Spigot B. Insert Spigot B and insert H (x2) into Corner Bracket A. (NOTE: Corner Bracket A has 4 holes)



STEP 7

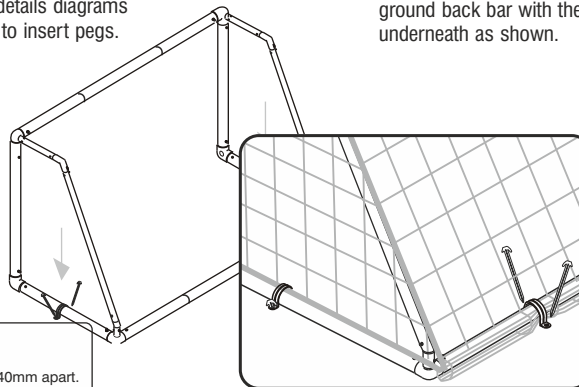
Insert Corner Brackets A into each end of the crossbar M,M1

STEP 8

Insert Corner Brackets A into each end of the Backbar N,N1. Also slide on and lock lower back stanchion connectors G with I inserted.

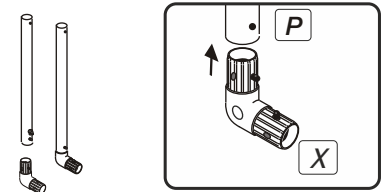
STEP 13

Attach the Multi surface Ground Anchors D&E see details diagrams how to insert pegs.



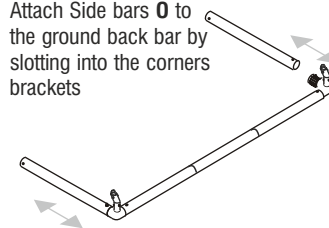
STEP 4

Insert Corner Brackets X into the upright posts P (uprights have logos on the side)



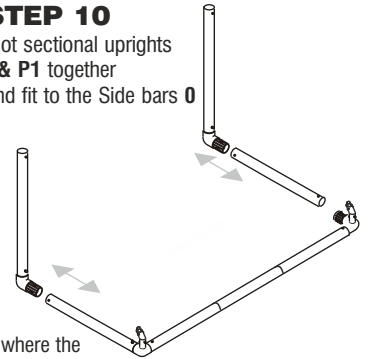
STEP 9

Attach Side bars O to the ground back bar by slotting into the corners brackets



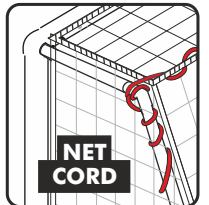
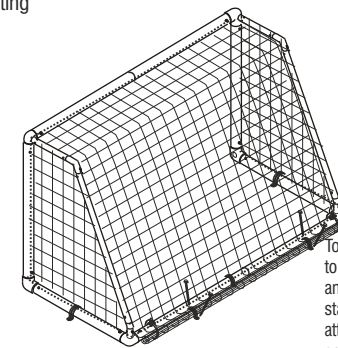
STEP 10

Slot sectional uprights P & P1 together and fit to the Side bars O



STEP 14

Fit the net with net ties- attach the net to each corner first where the crossbar meets the uprights. On the back ground bar at the back of the goal extra netting can be rolled and tied to the back ground bar for a neat finish. Finally add the two remaining anchors on the ground back bar with the netting underneath as shown.



To define the roof of the net Tie the cord to one side and pull the net cord tight and wrap neatly down and around the stanchion tube If you are regularly attaching or detaching the net then apply coloured tape to the roof corners to help identify. OPTIONAL - Small Net ties(not included) are ideal to fit nets tightly to the stanchions. This is ideally when nets are left attached to the fully assembled side frames.

Care and maintenance of your goals

We advise adult supervision during assembly and use. Observe and follow warning labels attached to goal. Do not use any components, nets or parts if they are damaged or broken. Spare parts and replacement nets are readily available. If others are to install your goal you should show them how to erect and dismantle the goal and hand them a copy of the fitting instruction. Do not drop any heavy objects on ends of tubes. Hard surfaces: to prevent damage to goal or it's components, loosen soil with a steel pole and moisten with some water before inserting the ground anchors. Do not use the goal in sub zero temperatures. warning labels should be replaced when worn and we recommend replacing them every two years -spare labels available. damaged components requested under guarantee must be returned for inspection. Failure to follow the warnings, fitting instructions contained in this document, may invalidate your guarantee. The company, its agents and representatives do not accept any product liability if used outside the EU. Use of the product in other countries outside the EU including the USA is not covered and appropriate insurance should be taken out by the user to cover for any eventuality. We reserve the rights to amend the specifications of our soccer products in the interest of continued development. Your product therefore may differ slightly to those illustrated. Not suitable for children under 36 months until assembled due to small parts.

NET TIES : We recommend placing the net ties no more than 340mm apart. The net ties supplied are designed to permanently fix the net to the goal frame. If you require to take nets on and off, other net fixings can be used. NOTE: Goal must be anchored otherwise breakages may occur. You must anchor your goals with the multi surface ground anchors provided. At the end of the season nets can be tied into a bundle and placed into a pillow case (not to damage washing machine) and washed at 40 C0 with normal washing powder. The ground frame can be washed with hot soapy water. Any scuff marks on posts can be rubbed off with a light abrasive scouring pad. WARNING: Check the position of any underground services before using the ground anchors and pegs. We take no responsibility for any damage or injury caused in this manner. If you find the nets are worn along the floor it may be rodents, by spreading pepper along the base frame rodents will be deterred. Crossbars will not be replaced within the guarantee period if broken by swinging or climbing or any other misuse. DO NOT try to glue any damaged fixings. Plastic materials in this product vary and this may cause the plastic to break. Always replace any damaged components. NOTE : All plastic extrusions vary and therefore some tubes may be looser or tighter to connector fittings. If you want to increase the diameter of the fitting just wrap masking tape around the part that fits into the tube, twist as you insert the fitting and it will grab to the tube tight. You can make tighter fits by adding more tape.

