

COMPONENTS

A M10 SOCKET DOME SCREW AND HEX DOME NUT - 80mm LONG **x2** 

B GROUND SOCKET **x2** 

AK ALLEN KEY FOR COMPONENT A **x1** 

ALUMINIUM POST SECTIONS

C UPRIGHT POSTS **x2** 

E1 CROSSBAR **x1** 

mm
ALUMINIUM
SOCKETED

LIGHTWEIGHT PORTABLE RUGBY POST GOAL

RUGBY POST 5.6M HIGH X 4.6M WIDE - LIGHTWEIGHT ALUMINIUM SOCKETED VERSION.

IT IS ADVISABLE IN ANY CONTACT SPORT TO TAKE OUT THE RELEVANT INSURANCE'S TO COVER AGAINST INJURY BOTH FROM TAKING PART, EQUIPMENT AND OTHER UNFORESEEABLE CIRCUMSTANCES.

DAMAGED COMPONENTS requested under guarantee must be returned for inspection. Failure to follow the warnings, assembly and fitting instructions contained in this document, may invalidate your guarantee.

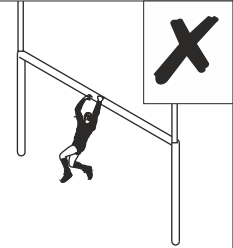
FITTING
INSTRUCTION

tsaGoal

www.itsagoal.co.uk

TEL: 0114 24 24 244

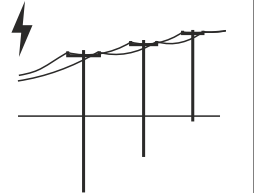
WARNING



DO NOT SWING ON CROSSBARS.

CROSSBARS WILL NOT BE REPLACED WITHIN THE GUARANTEE PERIOD IF BROKEN BY SWINGING OR CLIMBING OR ANY OTHER MISUSE.

WARNING



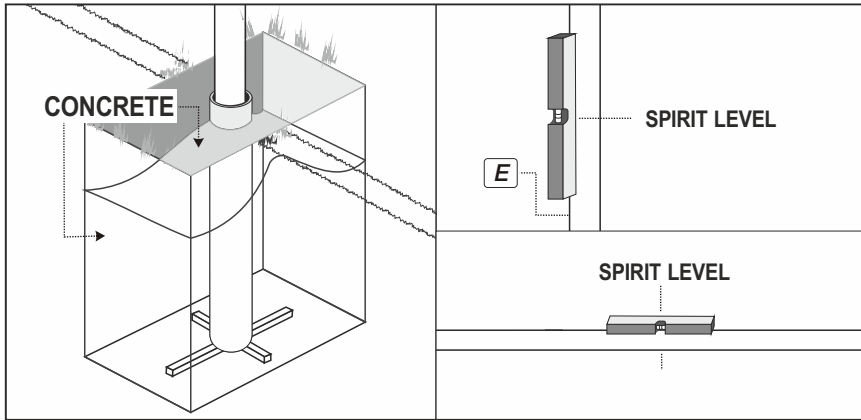
DO NOT TOUCH OVERHEAD SERVICES

DO NOT TOUCH OVERHEAD SERVICES WITH GOALPOST SECTIONS. CHECK THE POSITION OF ANY OVERHEAD SERVICES WHEN SETTING UP OR DISMANTLING THE GOALS, EG. POWER LINES, TELEPHONE CABLES ETC.

WARNING

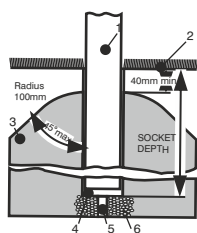
MAKE SURE NO CHILDREN ARE PRESENT AT ANY TIME DURING GOAL INSTALLATION, REMOVAL OR ASSEMBLY.

GOALS MUST ALWAYS BE DISMANTLED IF NOT IN USE.



GROUND SOCKET Installation diagram

- 1 Upright
- 2 Sport Surface
- 3 Concrete Block
- 4 Ground Socket
- 5 Drainage Hole
- 6 Pea Gravel



WARNING Check for underground services before excavating

When installing your portable rugby posts always be aware of safety. See overleaf for details on recommended installation.

Remember always insert the ground anchors the correct distance apart - lay the crossbar on the ground to mark the space apart.
Always insert the ground anchors perpendicular - use a spirit level.
NEVER INSTALL POSTS IF YOU DO NOT HAVE SUFFICIENT PEOPLE TO DO SO SAFELY; WE OFFER AN INSTALLATION SERVICE AT ADDITIONAL COSTS IF REQUIRED.

NEVER INSTALL THE POSTS IN HIGH WINDS.

IF GALES ARE FORECAST WE RECOMMEND THAT YOUR GOAL IS DISMANTLED AND STORED SAFELY

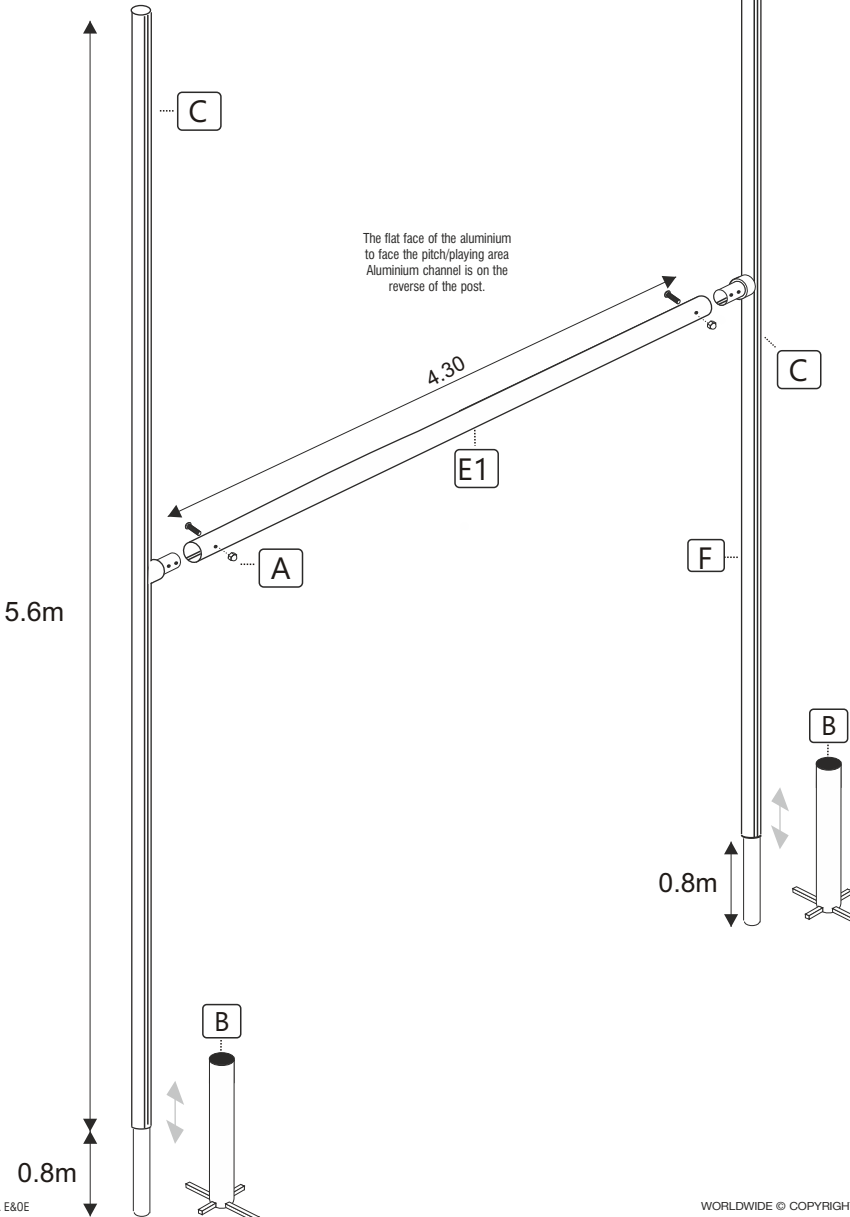
PLEASE WEAR A HARD HAT AND SAFETY BOOTS WHEN INSTALLING & DISMANTLING THE GOAL

ENSURE NO CHILDREN ARE PRESENT WHEN INSTALLING POSTS AT ANY TIME.

5.6m

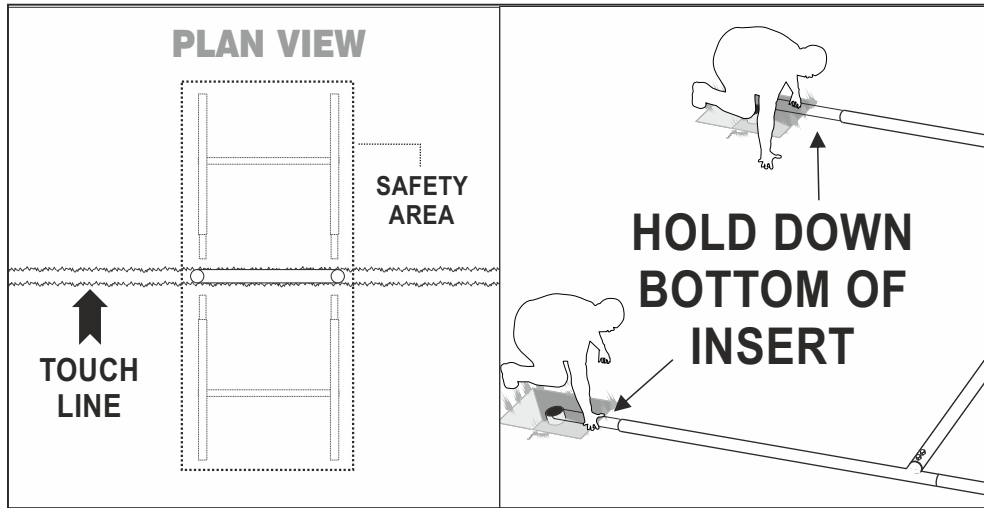
0.8m

The flat face of the aluminium to face the pitch/playing area
Aluminium channel is on the reverse of the post.



! NEVER INSTALL THE POSTS IN HIGH WINDS. ENSURE NO CHILDREN ARE PRESENT WHEN INSTALLING POSTS AT ANY TIME.

DAMAGED COMPONENTS requested under guarantee must be returned for inspection. Failure to follow the warnings, assembly and fitting instructions contained in this document, may invalidate your guarantee.



Make sure no children are present before you install the goal, and mark out a child free safety area which is **28 ft** long and **18ft** wide in front and behind the goal in case it topples during installation

