









## COMPONENTS

<b>A</b>	M10 SOCKET DOME SCREW AND HEX DOME NUT - 80mm LONG	x7	
<b>B</b>	GROUND SOCKET	x2	
<b>AK</b>	ALLEN KEY FOR COMPONENT A	x1	
<b>ALUMINIUM POST SECTIONS</b>			
<b>C</b>	MIDDLE SECTION	x2	
<b>F</b>	LOWER POST SECTION	x2	
<b>D</b>	TOP POST SECTION	x2	
<b>E2</b>	CROSSBAR WITH INSERT	x1	
<b>E1</b>	CROSSBAR NO INSERT	x1	

**6mm ALUMINIUM SOCKETED**

## LIGHTWEIGHT PORTABLE RUGBY POST GOAL

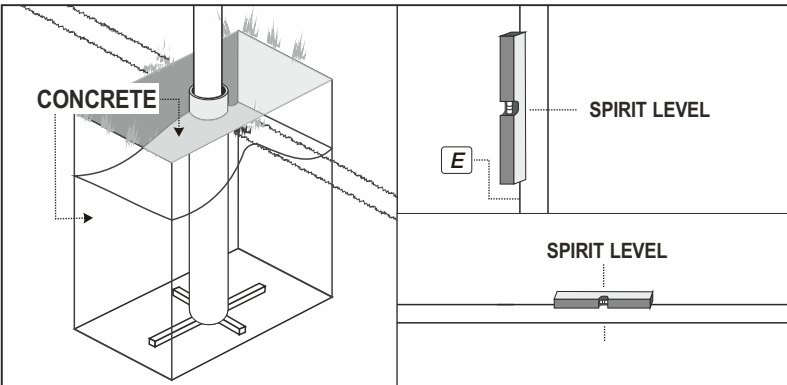
YOUTH RUGBY POST 5.6M HIGH X 4.6M WIDE - 3 SECTION UPRIGHTS - 2 SECTION CROSSBAR

IT IS ADVISABLE IN ANY CONTACT SPORT TO TAKE OUT THE RELEVANT INSURANCES TO COVER AGAINST INJURY BOTH FROM TAKING PART, EQUIPMENT AND OTHER UNFORESEEABLE CIRCUMSTANCES.

**FITTING INSTRUCTION**

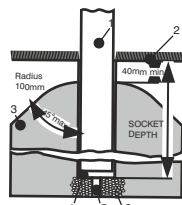
**tsaGoal**

www.itsagoal.co.uk  
TEL: 0114 24 24 244



### GROUND SOCKET Installation diagram

- 1 Upright
- 2 Sport Surface
- 3 Concrete Block
- 4 Ground Socket
- 5 Drainage Hole
6. Pea Gravel



**WARNING** Check for underground services before excavating

When installing your portable rugby posts always be aware of safety. See overleaf for details on recommended installation.

**Remember** always insert the ground anchors the correct distance apart - lay the crossbar on the ground to mark the space apart.

**Always** insert the ground anchors perpendicular - use a spirit level.

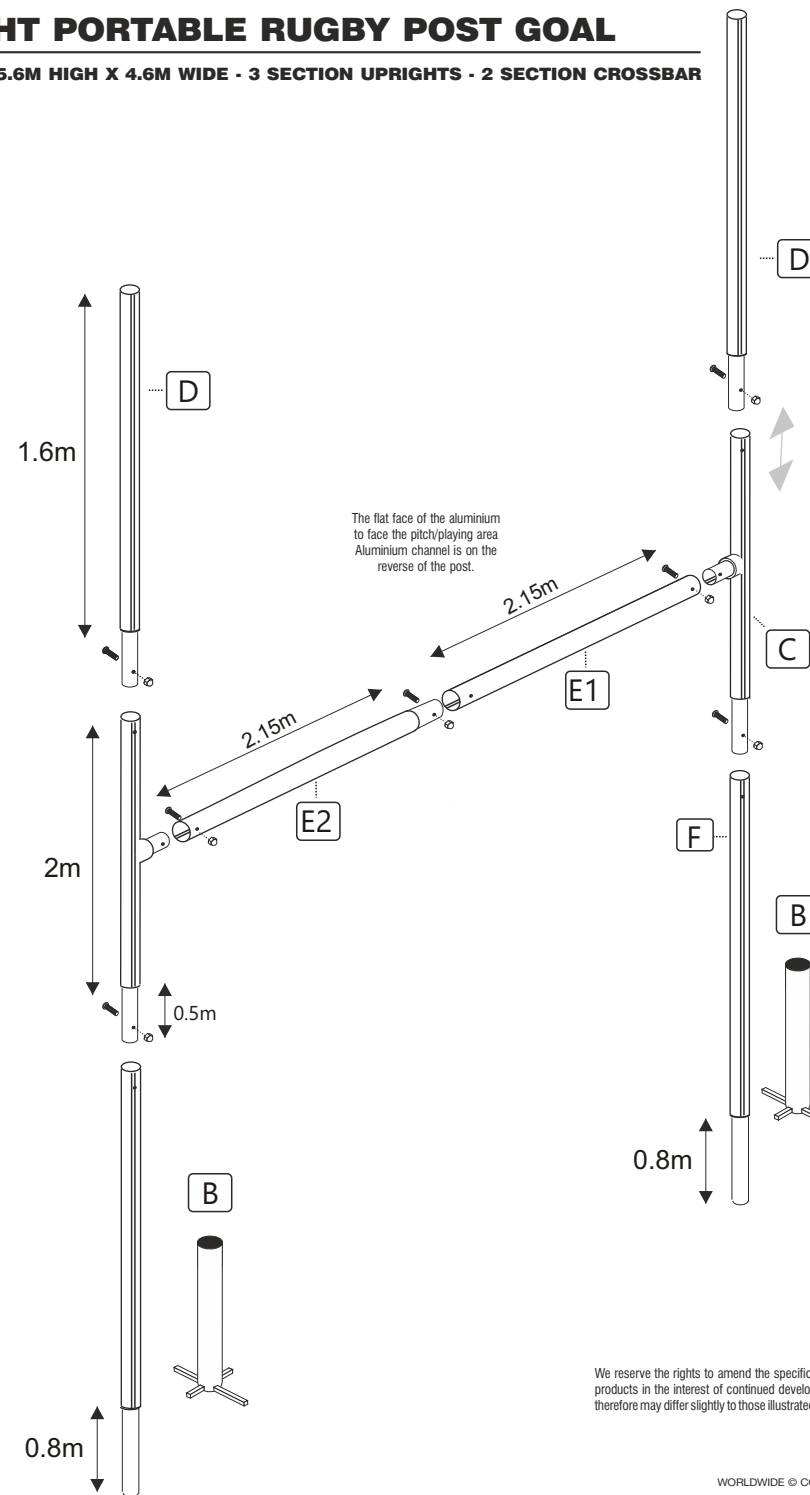
**NEVER** INSTALL POSTS IF YOU DO NOT HAVE SUFFICIENT PEOPLE TO DO SO SAFELY; WE OFFER AN INSTALLATION SERVICE AT ADDITIONAL COSTS IF REQUIRED.

**NEVER** INSTALL THE POSTS IN HIGH WINDS.

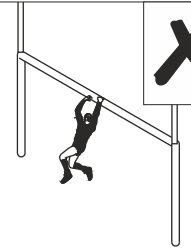
**PLEASE** WEAR A HARD HAT AND SAFETY BOOTS WHEN INSTALLING & DISMANTLING THE GOAL

**IF** GALES ARE FORECAST WE RECOMMEND THAT YOUR GOAL IS DISMANTLED AND STORED SAFELY

**ENSURE** NO CHILDREN ARE PRESENT WHEN INSTALLING POSTS AT ANY TIME.



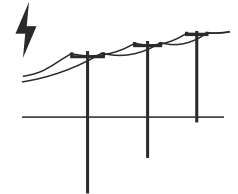
### WARNING



**DO NOT SWING ON CROSSBARS.**

CROSSBARS WILL NOT BE REPLACED WITHIN THE GUARANTEE PERIOD IF BROKEN BY SWINGING OR CLIMBING OR ANY OTHER MISUSE.

### WARNING



**DO NOT TOUCH OVERHEAD SERVICES**

DO NOT TOUCH OVERHEAD SERVICES WITH GOALPOST SECTIONS. CHECK THE POSITION OF ANY OVERHEAD SERVICES WHEN SETTING UP OR DISMANTLING THE GOALS, EG. POWER LINES, TELEPHONE CABLES ETC.

### WARNING

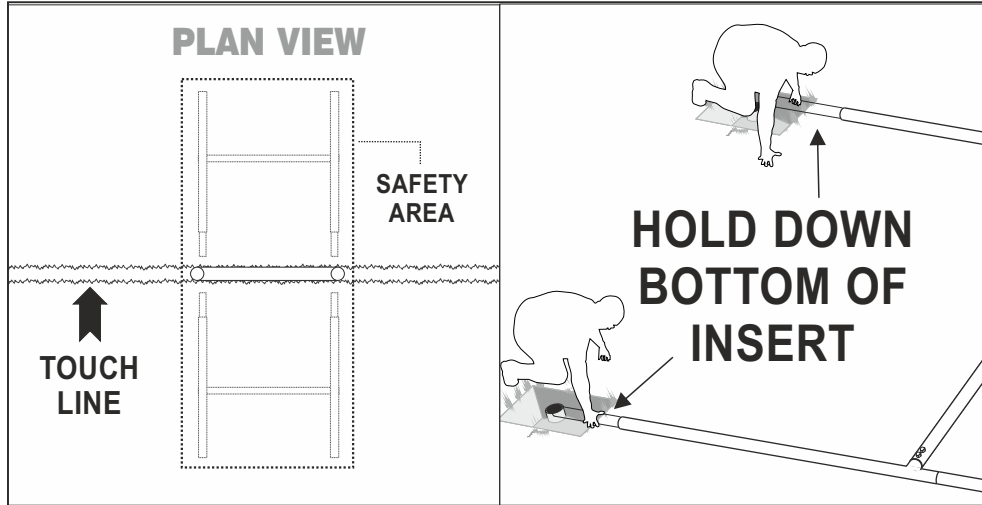
**MAKE SURE NO CHILDREN ARE PRESENT AT ANY TIME DURING GOAL INSTALLATION, REMOVAL OR ASSEMBLY.**

GOALS MUST ALWAYS BE DISMANTLED IF NOT IN USE.

We reserve the rights to amend the specifications of our soccer products in the interest of continued development. Your product therefore may differ slightly to those illustrated in this publication.

**! NEVER INSTALL THE POSTS IN HIGH WINDS. ENSURE NO CHILDREN ARE PRESENT WHEN INSTALLING POSTS AT ANY TIME.**

DAMAGED COMPONENTS requested under guarantee must be returned for inspection. Failure to follow the warnings, assembly and fitting instructions contained in this document, may invalidate your guarantee.



Make sure no children are present before you install the goal, and mark out a child free safety area which is 28 ft long and 18ft wide in front and behind the goal in case it topples during installation

