


COMPONENTS

A M10 SOCKET DOME SCREW AND HEX DOME NUT - 80mm LONG **x6** 

B GROUND SOCKET 900mm HIGH - 70mm Diameter **x2** 

AK ALLEN KEY FOR COMPONENT A **x1** 

ALUMINIUM POST SECTIONS

C CROSSBAR SECTION 5.3m **x1** 

E LEFT TOP UPRIGHT SECTION 3m **x1** 

F RIGHT TOP UPRIGHT SECTION 3m **x1** 

G LEFT UPRIGHT SECTION TOP 5m **x1** 

H RIGHT UPRIGHT SECTION TOP 5m **x1** 

YOUTH RUGBY POST 8M HIGH X 5.6M WIDE - ALUMINIUM SOCKETED VERSION.

IT IS ADVISABLE IN ANY CONTACT SPORT TO TAKE OUT THE RELEVANT INSURANCE'S TO COVER AGAINST INJURY BOTH FROM TAKING PART, EQUIPMENT AND OTHER UNFORESEEABLE CIRCUMSTANCES.

DAMAGED COMPONENTS requested under guarantee must be returned for inspection. Failure to follow the warnings, assembly and fitting instructions contained in this document, may invalidate your guarantee.

WARNING: CHECK THE POSITION OF ANY UNDERGROUND SERVICES BEFORE USING THE GROUND ANCHOR. WE TAKE NO RESPONSIBILITY FOR ANY DAMAGE OR INJURY CAUSED IN THIS MANNER. OUR GROUND ANCHOR SYSTEM IS DESIGNED TO GIVE SLIGHTLY UNDER HEAVY IMPACT TO HELP PREVENT SERIOUS INJURY. TO LOOSEN TAP SIDES OF THE ANCHOR WITH HAMMER BEFORE EXTRACTING.

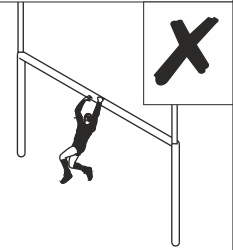
GROUND ANCHORS - NOTE: ALWAYS ENSURE ALIGNMENT OF GROUND SPIKES IS CORRECT TO ALLOW UPRIGHTS TO EASILY SLIDE OVER TOP OF SPIKE. **DO NOT** USE FRONT GROUND SPIKES IF THEY BECOME MISSHAPEN OR DAMAGED AS THIS COULD CAUSE DAMAGE TO THE BASE OF UPRIGHT, AND WOULD NOT BE COVERED UNDER GUARANTEE.

FITTING INSTRUCTION

tsaGoal

www.itsagoal.co.uk
TEL: 0114 24 24 244

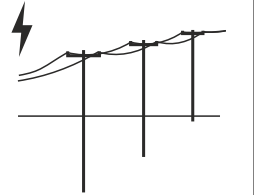
WARNING



DO NOT SWING ON CROSSBARS.

CROSSBARS WILL NOT BE REPLACED WITHIN THE GUARANTEE PERIOD IF BROKEN BY SWINGING OR CLIMBING OR ANY OTHER

WARNING



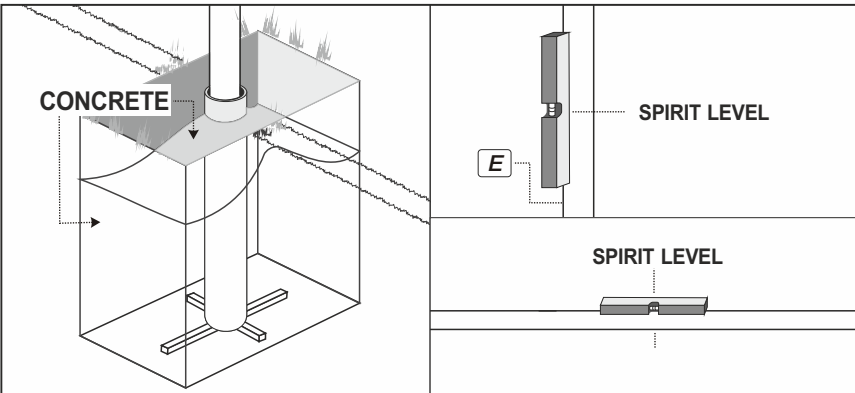
DO NOT TOUCH OVERHEAD SERVICES

DO NOT TOUCH OVERHEAD SERVICES WITH GOALPOST SECTIONS. CHECK THE POSITION OF ANY OVERHEAD SERVICES WHEN SETTING UP OR DISMANTLING THE GOALS, EG. POWER LINES, TELEPHONE CABELS ETC.

WARNING

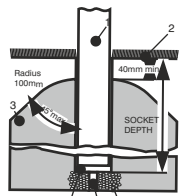
MAKE SURE NO CHILDREN ARE PRESENT AT ANY TIME DURING GOAL INSTALLATION, REMOVAL OR ASSEMBLY.

WE ADVISE GOALS MUST ALWAYS BE DISMANTLED IF NOT IN USE.



GROUND SOCKET Installation diagram

- 1 Upright
- 2 Sport Surface
- 3 Concrete Block
- 4 Ground Socket
- 5 Drainage Hole
6. Pea Gravel



WARNING Check for underground services before excavating

When installing your portable rugby posts always be aware of safety. See overleaf for details on recommended installation.

Remember always insert the ground anchors the correct distance apart - lay the crossbar on the ground to mark the space apart.

Always insert the ground anchors perpendicular - use a spirit level.

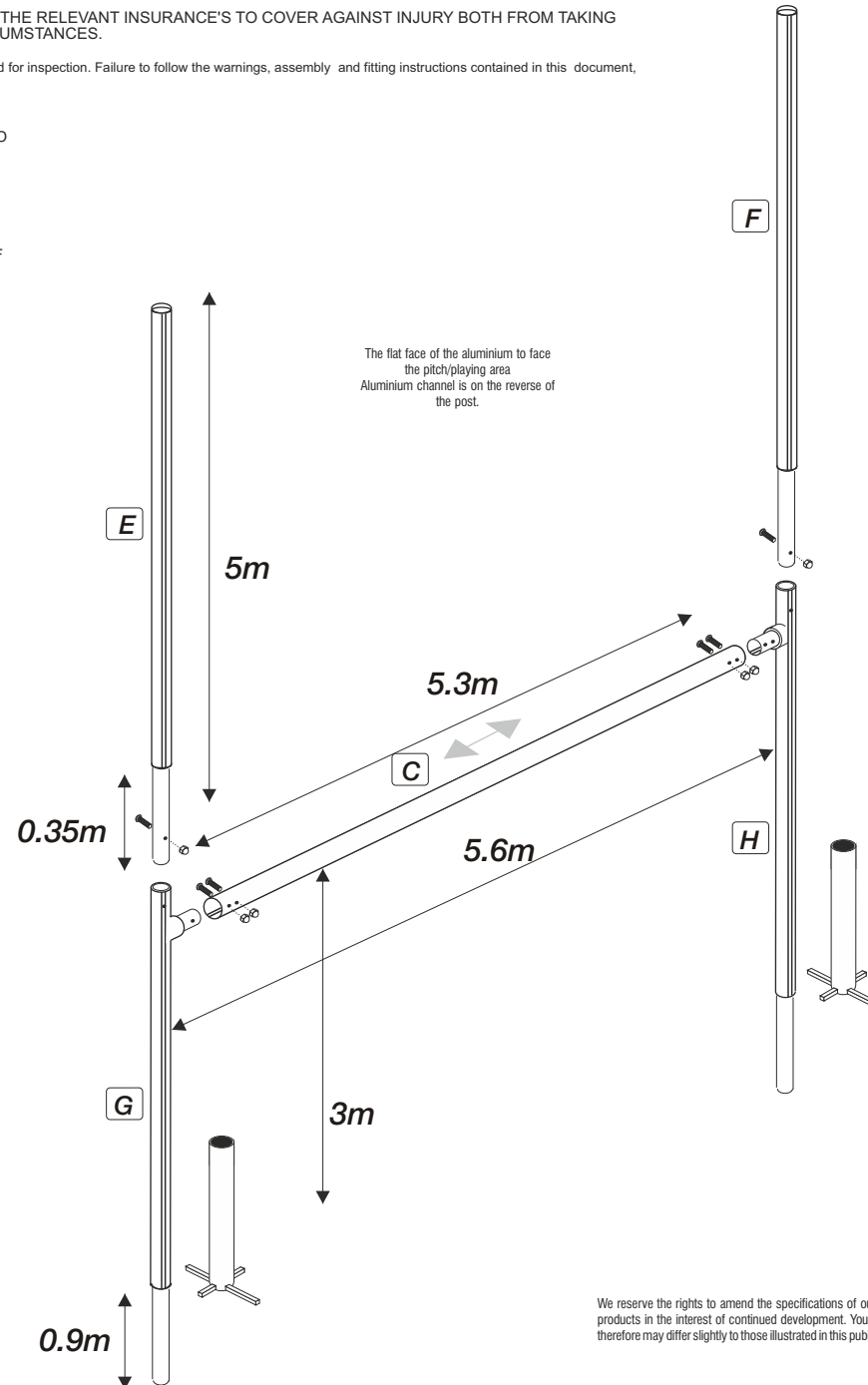
NEVER INSTALL POSTS IF YOU DO NOT HAVE SUFFICIENT PEOPLE TO DO SO SAFELY; WE OFFER AN INSTALLATION SERVICE AT ADDITIONAL COSTS IF REQUIRED.

NEVER INSTALL THE POSTS IN HIGH WINDS.

IF GALES ARE FORECAST WE RECOMMEND THAT YOUR GOAL IS DISMANTLED AND STORED SAFELY

PLEASE WEAR A HARD HAT AND SAFETY BOOTS WHEN INSTALLING & DISMANTLING THE GOAL

ENSURE NO CHILDREN ARE PRESENT WHEN INSTALLING POSTS AT ANY TIME.

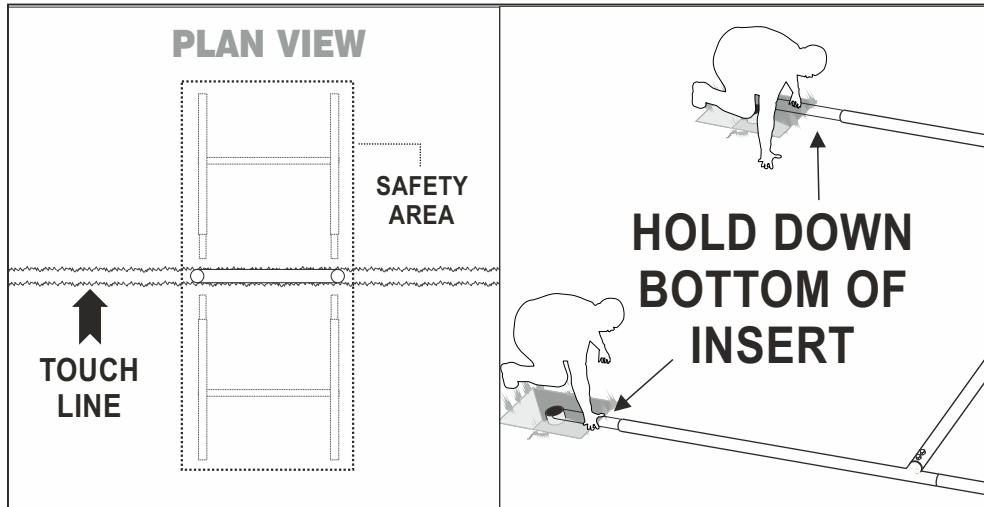


We reserve the rights to amend the specifications of our soccer products in the interest of continued development. Your product therefore may differ slightly to those illustrated in this publication.

! NEVER INSTALL THE POSTS IN HIGH WINDS. ENSURE NO CHILDREN ARE PRESENT WHEN INSTALLING POSTS AT ANY TIME.

SPARE PARTS

DAMAGED COMPONENTS requested under guarantee must be returned for inspection. Failure to follow the warnings, assembly and fitting instructions contained in this document, may invalidate your guarantee.



Make sure no children are present before you install the goal, and mark out a child free safety area which is 28 ft long and 18ft wide in front and behind the goal in case it topples during installation

