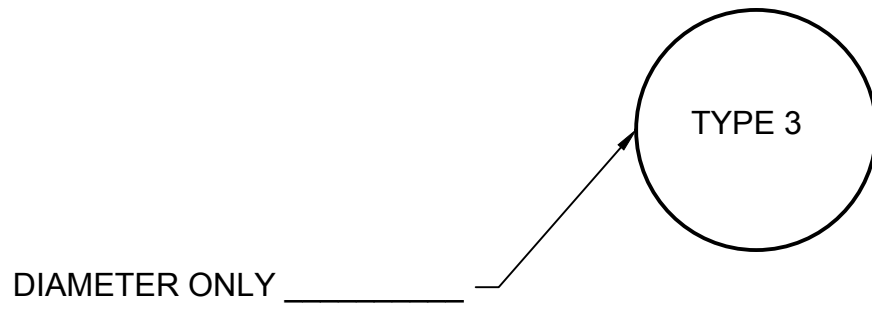
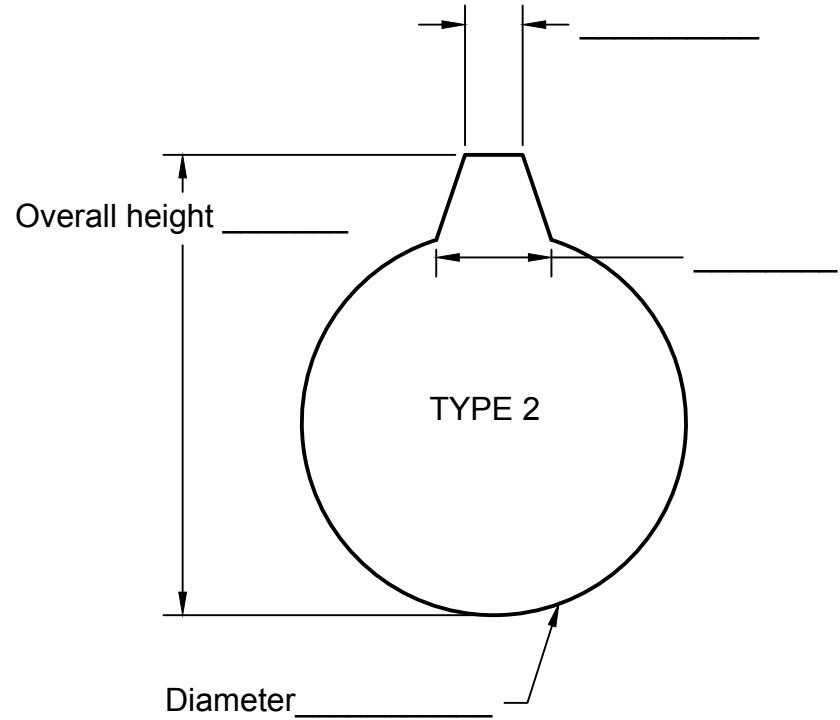
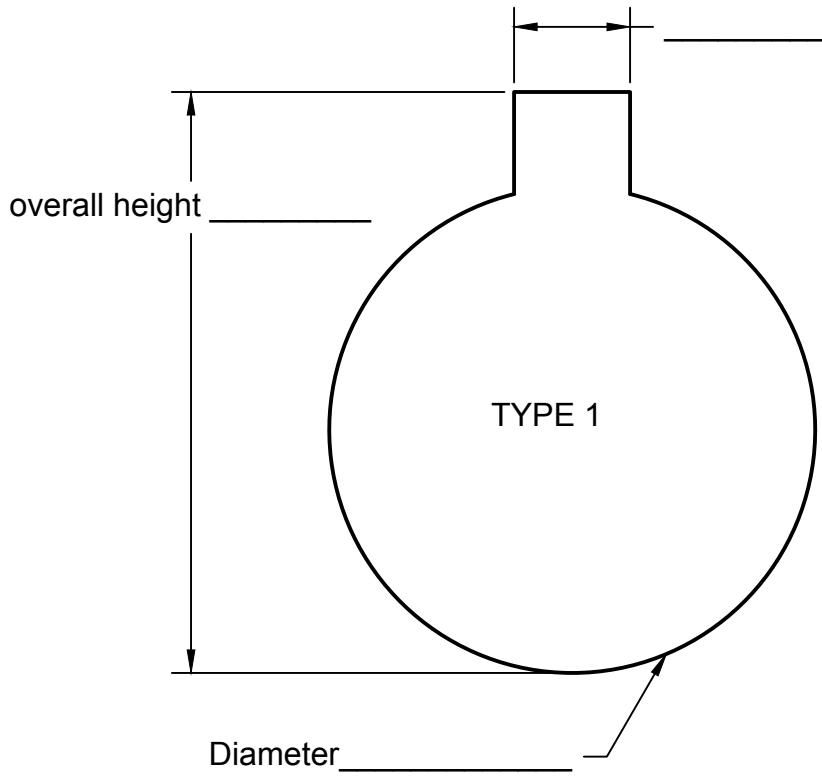


Customer: _____
Order# _____
Brand: _____
Model: _____



DIRECTIONS:

- 1: DETERMINE WHICH OF THE THREE PROFILES YOUR SCOPE MATCHES. (IF RADIUS ON TAB USE TYPE 2)
- 2: FILL OUT EVERY DIMENSION APPLICABLE TO YOUR PROFILE.
- 3: FILL OUT THE BRAND AND MODEL INFORMATION AT THE TOP.
- 4: SEND THIS TO JOE@MISCHIEFMACHINE.NET WITH A PICTURE OF YOUR SCOPE
- 5: WAIT FOR YOUR CUSTOM LEVER TO ARRIVE