

2021

# MARINE PRICE LIST

EFFECTIVE JANUARY 6, 2021

## AIR CONDITIONING & REFRIGERATION

Mobile living made easy.

 **DOMETIC**



**DTG TURBO UNITS ..... 5**

115V 50/60HZ Units ..... 5  
115V 50/60HZ T UNITS WITH SMART START ..... 5  
220-240V 50/60HZ UNITS ..... 6  
220-240V 50/60HZ TURBO GLOBAL UNITS WITH  
SMART START ..... 7  
ALUMINUM RA PLENUMS FOR TURBO GLOBAL UNITS ..... 7

**DCU & DLU ..... 8**

DOMETIC COMPACT UNITS (DCU)..... 8  
ALL UNITS INCLUDE REMOTE SENSORS AND MOUNT RING. .. 8  
DOMETIC LOW PROFILE UNITS (DLU) ..... 8  
DOMETIC LOW-PROFILE PLENUMS & TRANSITION RING ..... 8

**ECD & CUDDY II..... 9**

ENVIROCOMFORT SELF CONTAINED UNITS, R410A ..... 9  
CUDDY II ..... 9

**DOMETIC EMERALD UNITS, R410A..... 10**

DOMETIC EMERALD UNITS, R410A ..... 10

**EVAP - TVE, EBE, EBLE, EDLE, EBDE ..... 12**

EMERALD SERIES TURBOVAP UNITS, R410A  
WITH MOUNT RING ..... 12  
EBE SERIES EVAPORATOR UNITS, R410A..... 12  
EBLE LOW PROFILE DRAW-THROUGH SERIES EVAPORATOR  
UNITS, R410A..... 13  
EDLE THE BREEZE LOW PROFILE EVAPORATOR UNITS, R410A 13  
EBDE DIRECT-DRIVE COOLING UNITS, R410A ..... 13  
EDL THE BREEZE LOW PROFILE EVAPORATOR UNITS, R417A .. 14  
ACCESSORIES FOR TURBOVAP UNITS ..... 14

**CRUISAIR CONDENSERS & EVAPORATORS 15**

MODULATING CONDENSING UNITS, R417A ..... 15  
MODULATING EVAPORATOR UNITS (R417A) ..... 15  
REFRIGERANT DISTRIBUTION MANIFOLDS ..... 15  
COOLBREEZE ..... 15

**AIR COOLED UNITS..... 16**

DURASEA ROOFTOP (AIR-COOLED A/C) ..... 16  
RADOME UNITS AIR-COOLED A/C  
(FOR COOLING OF RADAR/COMMUNICATION DOMES)

**DURASEA CONDENSERS..... 17**

DURASEA CONDENSING UNITS BASE MODELS ..... 18  
ADDER TO THE BASE UNIT LIST. .... 18  
ACCESSORIES AND REPLACEMENT PARTS..... 20

**VARC & PLC CHILLERS ..... 21**

VARIABLE CAPACITY CHILLER..... 21  
BASES AND MANIFOLDS ..... 21

**MCGX & TWCX PLC CHILLERS .....22**

MCGX BASE UNITS WITH PLC ..... 22  
MCGX BASE UNITS WITH PLC 90K-180K ..... 22  
MCGXLP BASE UNITS WITH PLC..... 22  
TWCX BASE UNITS WITH PLC ..... 22

**MCGX BASES & MANIFOLDS .....23**

MCGX CHILLER BASES..... 23  
MCGX CHILLER MANIFOLD SETS ..... 23

**MTDX - TWCX BASES AND MANIFOLDS.....24**

MTDX MULTI-UNIT MOUNTING BASES AND FRAMES .....24  
TWCX MULTI-UNIT BASES AND MANIFOLDS .....24

**ELECTRICAL PANEL .....25**

PLC CONTROL PANEL STANDARD PACKAGE ..... 25  
PLC CONTROL PANEL PLATINUM PACKAGE ..... 25  
PLC PANEL PLATINUM PACKAGE UPGRADES ..... 26  
PLC PANEL OPTIONAL ADDITIONAL PARTS .....27  
PLC PARTS DESCRIPTIONS .....27  
STIIC ..... 28  
PLC-OTS ELECTRIC BOXES FOR PLC CHILLER MODULES ..... 28  
SINGLE-UNIT MPLC MODULAR CONTROL PANELS  
CRUISAIR MTDV (CRUISAIR ONLY) ..... 28  
DDC MECHANICAL ROCKER SWITCH CONTROL ..... 29  
PLC CONTROL PANEL PARTS ..... 29  
OTHER CHILLED WATER ACCESSORIES..... 30

**VFD, RFI FILTERS, LINE REACTORS ..... 31**

PROGRAMMED VARIABLE FREQUENCY DRIVES..... 31  
RFI FILTERS (ELIMINATE HIGH FREQUENCY INTERFERENCE)... 31

**MARINE AIR MCGX & CHC .....32**

MCGX TITAN MODULES REVERSE CYCLE,  
R410A REFRIGERANT, DDC CONTROL - LEGACY ..... 32  
MCGX-LP TITAN 'LOW PROFILE' MODULES REVERSE CYCLE .. 33  
CHILLER COMPACT (CHC) R410A UNITS  
AND ACCESSORIES - LEGACY ..... 33

**CRUISAIR MTC, MTD & TWC .....34**

CRUISAIR AUTHORIZED DISTRIBUTORS  
AND DEALERS ONLY ..... 34  
TWCX TITAN CHILLERS WITH DDC CONTROL PANEL.  
SWITCH OR DISPLAY & CABLES SOLD SEPARATELY. .... 35  
TWCX CHILLERS WITH DDC CONTROL PANEL AND SMARTSTART  
35

**AIR HANDLERS.....36**

AU AIR HANDLERS, WITH HIGH VELOCITY BLOWERS .... 36  
AU AIR HANDLERS, WITH HV BLOWERS AND HEATING ..... 36  
AU AIR HANDLERS, WITH HV BLOWERS AND FLOW CONTROL 36  
AU AIR HANDLERS, WITH HV BLOWERS, FC AND HEATING....37  
AU AIR HANDLERS, WITH HV BLOWERS, AND BREATHE EASY™37  
AU AIR HANDLERS, W/HV BLOWERS, BREATHE EASY™ & HEAT-  
ING .....37  
AU AIR HANDLERS, WITH DC BLOWERS.....37  
AU AIR HANDLERS, WITH DC BLOWERS AND HEATING ..... 38  
AU AIR HANDLERS, WITH DC BLOWERS AND FLOW CONTROL38  
AU AIR HANDLERS, WITH DC BLOWERS, FC AND HEATING .. 38  
AHU AIR HANDLERS..... 39

**EUROPEAN VERSION AIR HANDLERS.....39**

AU-EU AIR HANDLERS, WITH HV BLOWERS..... 39  
AU-EU AIR HANDLERS, WITH HV BLOWERS AND HEATING ... 39  
AU-EU AIR HANDLERS, WITH DC BLOWERS..... 39  
AU-EU AIR HANDLERS, WITH DC BLOWERS AND HEATING ... 40



CONTROL BOX AU-EU HIGH VELOCITY BLOWERS .....	40
CONTROL BOX AU-EU DC BLOWERS .....	40
AT HIGH VELOCITY AIR HANDLERS .....	40
“WHISPER COOL” AT-DC 36K AIR HANDLERS.....	40
ATL DRAW-THROUGH AIR HANDLERS, WITH HV BLOWERS....	41
ATL DRAW-THROUGH AIR HANDLERS, WITH DC BLOWERS....	41
ABL HORIZONTAL AIR HANDLERS.....	41
ATV VERTICAL DRAW-THROUGH AIR HANDLERS, WITH HV BLOWERS .....	42
ATV VERTICAL DRAW-THROUGH AIR HANDLERS, WITH DC BLOWERS .....	42
FRESH AIR MAKEUP AIR HANDLERS WITH DC BLOWERS AND PULSE HEAT CONTROL.....	42
DOMETIC AIRHANDLER CONTROL PACKAGE.....	43

**CLIMATE CONTROLS & ELECTRONICS .....44**

CAP TOUCH & SMART TOUCH DX CONTROL .....	44
PASSPORT I/O DISPLAY .....	44
MECHANICAL CONTROLS .....	44
PROGRAMMED LOGIC CONTROL.....	45
SMART TOUCH CHILLED WATER CONTROL.....	45
ESKIMO ICE DISPLAY .....	45
BEZELS .....	45
CRUISAIR Q LOGIC DISPLAYS .....	46
CRUISAIR SMX DISPLAYS.....	46
CRUISAIR TWLC DISPLAY.....	46
CRUISAIR RETROFIT KITS.....	47
CONTROL AND NETWORK CABLES AND SENSORS .....	47
TEMPERATURE/HUMIDITY SENSORS .....	48
MARINE AIR ELITE DISPLAYS .....	49
MARINE AIR CHILLED WATER CONTROLS .....	49
DIGITAL UPGRADE RETROFIT KITS.....	49
ECU MAXX DISPLAY RETROFIT PLATE TO ELITE OR PASSPORT I/O.....	50
ECU UPGRADE TO ELITE OR PASSPORT I/O.....	50
PASSPORT UPGRADE TO ELITE OR PASSPORT I/O.....	50
PASSPORT II UPGRADE TO ELITE OR PASSPORT I/O.....	51
ELITE RETROFIT COVER PLATES .....	51
DISPLAY & SENSOR CABLES .....	51
WATER SENSORS .....	51

**PUMP CURVE CHARTS .....53**

**CENTRIFUGAL PUMPS .....60**

P035S PUMPS .....	60
SEAL KIT & IMPELLER .....	60
P060S PUMPS .....	60
SEAL KIT & IMPELLER .....	60
SEAL KIT & IMPELLER .....	61
P102R PUMPS.....	61
SEAL KIT & IMPELLER .....	61
P225S PUMPS .....	62
SEAL KIT & IMPELLER .....	62
P425S PUMPS .....	62
SEAL KIT & IMPELLER .....	62

**MARCH PUMP ASSEMBLIES .....63**

MARCH PUMP ASSEMBLIES AND PRIME TIME PUMPS .....	63
MARCH PUMP ACCESSORIES.....	63

**PUMP ACCESSORIES .....65**

SEAWATER STRAINERS .....	65
THROUGH-HULL FITTINGS.....	65
HOSE BARBS/ADAPTERS.....	65
PUMP MANIFOLDS - PVC CONSTRUCTION .....	66
SEAWATER HOSE/KITS .....	66
IMPELLERS .....	66
SCOT PUMPS SEAL/GASKET KITS .....	67
OBERDORFER PUMPS ACCESSORIES .....	67
WATER FITTINGS & MANIFOLDS BRONZE/CUPRONICKEL....	68
PUMP RELAYS.....	69
CRUISAIR AUTHORIZED DISTRIBUTORS & DEALERS ONLY .....	69
SOLID STATE RELAYS, TRIGGERS & PARTS.....	69

**CW LOOP COMPONENTS.....70**

EXPANSION TANKS.....	70
FILL COMPONENTS.....	70
AIR/DIRT/AIR-AND-DIRT SEPARATORS.....	70
LOOP Y-STRAINERS .....	71
BALANCING FLOW CONTROLS (SEE NOTE) .....	71

**ADD-ONS AND SPECIAL UNITS .....72**

BREATHE EASY™ AIR PURIFIER .....	72
WHISPERFAN CONTROLLER .....	72
SOUND COVERS (TURBO UNITS) .....	72
SMART START™ DEVICES (REDUCE STARTUP SURGE) .....	73
AUXILIARY DUCT HEATERS (HEAT MODULES) .....	73
PILOT HOUSE DEFROSTER .....	73

**CHILL CHASERS.....74**

AUX. HEATER ASSEMBLIES FOR AT UNITS .....	74
AUX. HEATER ASSEMBLIES FOR AU UNITS.....	74
AUX. HEATER ASSEMBLIES FOR AU UNITS WITH BREATHE EASY 75	

**AIR FILTERS.....76**

BLACK MESH FILTERS SELF-CONTAINED UNITS.....	76
MICRO-PARTICLE ANTI-ALLERGENIC FILTERS FOR SELF-CONTAINED UNITS .....	76
REPLACEMENT FILTERS FOR AU AIR HANDLERS .....	76
REPLACEMENT FILTERS FOR AT AIR HANDLERS.....	77

**GRILLES .....78**

ROUND PLASTIC GRILLES.....	78
PLASTIC DISCHARGE GRILLES WITH PLENUMS .....	79
PLASTIC GRILLES WITH MOUNTING FRAMES .....	79
ALUMINUM RETURN AIR GRILLES NO FILTER.....	80
ALUMINUM RETURN AIR GRILLES WITH FILTER.....	81
ALUMINUM DOUBLE DEFLECTION SUPPLY GRILLES WITH FRONT BLADES VERTICAL .....	81
ALUMINUM DOUBLE DEFLECTION SUPPLY GRILLES WITH FRONT BLADES VERTICAL .....	82
ALUMINUM DISCHARGE GRILLES WITH SHUTOFF DAMPER..	82
ALUMINUM SUPPLY AIR GRILLS - HORIZONTAL LOUVERS.....	82
ALUMINUM SUPPLY AIR GRILLS - VERTICAL LOUVERS .....	83
TEAK/BRONZE RETURN AIR WOOD GRILLES (WITH FILTER)...	83
TEAK SUPPLY AIR WOOD GRILLES .....	84
TEAK SUPPLY AIR WOOD GRILLES WITH SHUTOFF DAMPER..	84

Mobile living made easy.

**DUCTING & PLENUMS .....85**

FLEXIBLE AIR DUCT ..... 85  
PLASTIC GRILL TRANSITION BOXES WITH  
SIDE CONNECTIONS (ON LONG DIMENSION) ..... 86  
PLASTIC GRILL TRANSITION BOXES ..... 86  
PLASTIC DUCT TEES, ADJUSTABLE BAFFLE ..... 87  
PLASTIC DUCT YS, ADJUSTABLE BAFFLE ..... 88  
PLASTIC BLOWER TS, ADJUSTABLE BAFFLE ..... 89  
PLASTIC BLOWER YS, ADJUSTABLE BAFFLE ..... 89  
ALUMINUM MOUNT RINGS ..... 90  
PLASTIC BLOWER MOUNT RINGS ..... 90  
PLASTIC/ALUMINUM TRANSITION RINGS/  
HOSE ADAPTERS ..... 91  
T-BOXES (A.K.A. T-BOX BLOWER PLENUMS) ..... 92

**INSTALLATION ACCESSORIES .....94**

TUBE INSULATION ..... 94  
CONDENSATE DRAIN FITTINGS, PLASTIC ..... 94  
REFRIGERANT FITTINGS ..... 94

**KRA.....95**

KRA 400 SERIES TITANIUM CONDENSING UNITS - R404A .... 95  
KRA CONTROL KITS..... 95  
TX VALVE ASSEMBLIES R404A ..... 96  
TX VALVE ASSEMBLIES R134A ..... 96  
SOLENOID MANIFOLDS ..... 97  
SUCTION CHECK VALVES SPLITTERS R404A..... 97  
LIQUID LINES - R404A ..... 97  
SUCTION LINES - R404A..... 97  
LIQUID LINES - R134A ..... 98  
SUCTION LINES - R134A ..... 98  
OTHER KRA ACCESSORIES ..... 98  
REPLACEMENT PARTS ..... 99

**ADLER BARBOUR..... 100**

CONDENSING UNITS..... 100  
EVAPORATORS ..... 100  
KITS ..... 101  
ACCESSORIES ..... 101

**ESKIMO ICE ..... 102**

ESKIMO ICE TITANIUM UNITS WITH DIGITAL CONTROLS ..... 102  
EI540 & EI1000 REPLACEMENT PARTS ..... 102  
ESKIMO ICE REPLACEMENT PARTS LIST AND PRICING..... 103

**CONDARIA ..... 106**

REPLACEMENT CHILLERS ..... 106  
PERSONAL CLIMATE CONTROL SYSTEM (SERIES 7) ..... 106  
TOP CLIMATE CONTROL SYSTEM (SERIES 3 AND SERIES 6) ... 106  
CLIMATE ORGANIZER CONTROL SYSTEM PARTS ..... 107  
AIR HANDLER VENTILATOR ASSEMBLIES  
( CAPACITORS NOT INCLUDED) ..... 107  
SERIES 7- 10 SPEED VENTILATOR CAPACITORS (   
METAL CAPACITOR WITHOUT BOX) ..... 107  
MBS 3-6 COMPATIBLE 3 SPEED CAPACITOR  
ASSEMBLY WITH BOX..... 108  
MBS 3- 6 COMPATIBLE 10 SPEED CAPACITOR  
ASSEMBLIES:..... 108  
AIR HANDLER SENSORS ..... 108  
AIR HANDLER 3 WAY VALVE ..... 108

CHILLER CONTROL BOARDS: ..... 108  
CHILLER CONTROL DISPLAYS AND MISC. PARTS: ..... 109  
PUMPS AND PUMP PARTS..... 109

**REPLACEMENT PARTS TABLES..... 110**

R410A ONLY ..... 110  
R417A ONLY ..... 110  
R410A & R417A ALL SIZES AND VOLTAGES ..... 111  
R410A & R417A ALL SIZES ..... 111  
TURBO GLOBAL 410A..... 112  
ALL SIZES AND VOLTAGES..... 112  
ALL SIZES ..... 112  
COMPACT GLOBAL R410A - DCU18 DUAL VOLTAGE ..... 113  
COMPACT R410A -DCU ..... 113  
COMPACT R410A CONTINUED ..... 113  
ECD GLOBAL 410A..... 114  
ECD/ECM 410A..... 114  
ECD/ECM 417A..... 115  
EMERALD 6-16K..... 116  
EMERALD 6-16K GLOBAL ..... 117  
EMERALD 24-48K ..... 118  
TURBOVAP..... 119  
EBE EBHE ..... 120  
EBE EBHE..... 120  
EBE EBHE..... 120  
EBE EBHE ..... 120  
EBHE..... 120  
EBHE..... 120  
EBHE..... 120  
EBE EBHE..... 120  
EBE EBHE..... 120  
EBE EBHE..... 120  
EBE EBHE..... 120  
EBDE REPLACEMENT PARTS TABLE..... 120  
"RM" TYPE REMOTE MODULATING CONDENSING UNIT RE-  
PLACEMENT PARTS ..... 121  
CONTACTORS FOR 3 PHASE COMPRESSORS ONLY ..... 121  
CONDENSER SEAWATER MANIFOLDS..... 121  
RM CONTROL PARTS ..... 121

**DX SPARE PARTS LIST ..... 122**

**AU TABLES..... 138**

AU/AU-EU AIR HANDLERS - ALL CAPACITIES  
AND VOLTAGES WHERE APPLICABLE ..... 138

**ATL TABLES ..... 140**

ATL HVZ ..... 140  
ATL DCZ ..... 140

**CW SPARE PARTS LIST ..... 142**

CWMC-OTS ELECTRIC BOXES  
(CHILLED WATER MASTER CONTROL "OFF THE SHELF") ..... 146

**PRODUCT CANCELLATION POLICY ..... 147**

**AUTHORIZED INTERNET RESELLER  
AGREEMENT PROGRAM ..... 148**



Mobile living made easy.

DTG TURBO UNITS

LEGACY ITEM #	NEW ITEM #	NEW DESCRIPTION	LIST PRICE (USD)	REPLACES DTU UNITS	OLD DESCRIPTION
<b>115V 50/60HZ UNITS</b>					
205160066	9600024578	DTG6-1171-410A 4MR	\$2,510.00	205160060	DTU6 115V 60HZ 410A
				205160061	DTU6 115V 60HZ 410A 4MR
205160089	9600024681	DTG8-1171-410A 5MR	\$2,700.00	205160080	DTU8-1161-410A
				205160081	DTU8-1161-410A 5MR
205160109	9600025198	DTG10-1171-410A 6MR	\$2,940.00	205160100	DTU10-1161-410A
				205160101	DTU10-1161-410A 6MR
205160128	9600024684	DTG12-1171-410A 6MR	\$3,015.00	205160120	DTU12-1161-410A
				205160121	DTU12-1161-410A 6MR
205160174	9600025905	DTG16-1171-410A 7MR	\$3,145.00	205160160	DTU16-1161-410A
				205160161	DTU16-1161-410A 7MR
<b>115V 50/60HZ T UNITS WITH SMART START</b>					
205160067	9600026030	DTG6-1171-410A SMRTSTRT 4MR	\$2,930.00	205160063	DTU6 115V 60HZ 410A SM-RTSTRT
205160091	9600026349	DTG8-1171-410A SMRTSTRT 5MR	\$3,120.00	205160083	DTU8 115V 60HZ 410A SM-RTSTRT
				205160084	DTU8-1161-410A SMRTSTRT 5MR
205160111	9600026343	DTG10-1171-410A SMRTSTRT 6MR	\$3,360.00	205160103	DTU10-1161-410A SMRT-STRT
205160133	9600026345	DTG12-1171-410A SMRTSTRT 6MR	\$3,435.00	205160123	DTU12-1161-410A SMRT-STRT
				205160125	DTU12-1161-410A SMRT-STRT 6MR
205160176	9600026159	DTG16-1171-410A SMRTSTRT 7MR	\$3,565.00	205160163	DTU16 115V 60HZ 410A SMRTSTRT



## DTG TURBO UNITS

LEGACY ITEM #	NEW ITEM #	NEW DESCRIPTION	LIST PRICE (USD)	REPLACES DTU UNITS	OLD DESCRIPTION
<b>220-240V 50/60HZ UNITS</b>					
205162069	9600024577	DTG6-2371-410A 4MR	\$2,645.00	205161060	DTU6-2251-410A
				205161061	DTU6-2251-410A 4MR
				205162060	DTU6-2361-410A
				205162061	DTU6-2361-410A 4MR
205162090	9600024567	DTG8-2371-410A 5MR	\$2,785.00	205161080	DTU8-2251-410A
				205161081	DTU8-2251-410A 5MR
				205162080	DTU8-2361-410A
				205162081	DTU8-2361-410A 5MR
205162109	9600024883	DTG10-2371-410A 6MR	\$2,990.00	205161100	DTU10-2251-410A
				205161101	DTU10-2251-410A 6MR
				205162100	DTU10-2361-410A
				205162101	DTU10-2361-410A 6MR
205162129	9600024865	DTG12-2371-410A 6MR	\$3,100.00	205161120	DTU12-2251-410A
				205161121	DTU12-2251-410A 6MR
				205162120	DTU12-2361-410A
				205162121	DTU12-2361-410A 6MR
205162176	9600024566	DTG16-2371-410A 7MR	\$3,400.00	205161160	DTU16-2251-410A
				205161161	DTU16-2251-410A 7MR
				205162160	DTU16-2361-410A
				205162161	DTU16-2361-410A 7MR

Mobile living made easy.



LEGACY ITEM #	NEW ITEM #	NEW DESCRIPTION	LIST PRICE (USD)	REPLACES DTU UNITS	OLD DESCRIPTION
<b>220-240V 50/60HZ TURBO GLOBAL UNITS WITH SMART START</b>					
205162095	9610000166	DTG8-2371-410A SMRTSTRT 5MR	\$3,205.00	205161083	DTU8-2251-410A SMRTSTRT 5MR
				205162083	DTU8-2361-410A SMRTSTRT
205162112	9610000160	DTG10-2371-410A SMRTSTRT 6MR	\$3,410.00	205161103	DTU10-2251-410A SMRT-STRT
				205162103	DTU10-2361-410A-SMRT-STRT
205162133	9600026346	DTG12-2371-410A SMRTSTRT 6MR	\$3,520.00	205161123	DTU12-2251-410A SMRT-STRT
				205161125	DTU12-2251-410A SMRT-STRT 6M
				205162123	DTU12-2361-410A SMRT-STRT
205162173	9600012494	DTG16-2371-410A SMRTSTRT 7MR	\$3,820.00	205161163	DTU16-2251-410A SMRT-STRT
				205162163	DTU16-2361-410A SMRT-STRT

LEGACY ITEM #	NEW ITEM #	LIST PRICE USD	DESCRIPTION
<b>ALUMINUM RA PLENUMS FOR TURBO GLOBAL UNITS</b>			
229801121	9108550773	\$205.00	PLENUM ALM RA TURBO 6/8K NO RING
229801129	9108550778	\$350.00	PLENUM ALM RA TURBO 6/8K 10"MR
229801093	9108550760	\$325.00	PLENUM ALM RA TURBO 10/12K NO RING
229801094	9108550761	\$310.00	PLENUM ALM RA TURBO 10/12K 12"MR
229801124	9108550775	\$240.00	PLENUM ALM RA TURBO 14/16K NO RING
229801095	9108550762	\$320.00	PLENUM ALM RA TURBO 14/16K 12"MR

## DCU & DLU

LEGACY ITEM #	NEW ITEM #	LIST PRICE USD	DESCRIPTION
<b>DOMETIC COMPACT UNITS (DCU)</b>			
<b>ALL UNITS INCLUDE REMOTE SENSORS AND MOUNT RING.</b>			
205600823	9108922700	\$4,540.00	DCU18-1161-410A SMRTSTRT RMTBX 7"MR
205600841	9600026337	\$4,595.00	DCU18-2371-410A SMRTSTRT 7MR
205600842	9600026336	\$4,465.00	DCU18-2371-410A NTRWK 7MR
205600865	9108923046	\$5,660.00	DCU27-2361-410A SMRTSTRT RMTBX 8MR
205600869	9108912468	\$5,865.00	DCU27-2251-410A SMRTSTRT RMTBX 8MR
205600837	9600025358	\$6,315.00	DCU30-2361-410 HRZ/OP SMRT STR 6MR
205600895	9610001610	\$6,315.00	DCU30-2251-410 HRZ/OP SMRT STR 6MR
<b>DOMETIC LOW PROFILE UNITS (DLU)</b>			
205600601	9108893581	\$4,180.00	DLU16K 115V 60HZ 410A
205600603	9108893585	\$4,375.00	DLU16K 220V 50HZ 410A
205600602	9108893582	\$4,175.00	DLU16K 230V 60HZ 410A
<b>DOMETIC LOW-PROFILE PLENUMS &amp; TRANSITION RING</b>			
229000006	9108550036	\$340.00	PLENUM ALM 5" OBX2 UP FLOW
229000007	9108550037	\$340.00	PLENUM ALM 5" OBX2 DOWN FLOW
228700089	9108549979	CALL FOR PRICE	RING ABS TRANS 5" OB SHORT FLANGE

Mobile living made easy.

LEGACY ITEM #	NEW ITEM #	LIST PRICE (USD)	DESCRIPTION
<b>ENVIROCOMFORT SELF CONTAINED UNITS, R410A</b>			
<b>RETROFIT KITS (UNIT AND CONTROL)</b>			
207500001	9108846353	\$2,285.00	ECD3.5KC/1-HV 134A KIT, 115V 50/60HZ
207500306	9108732762	\$2,250.00	ECD6K/1-HV 410A KIT, 115V 50/60HZ
207500310	9108732759	\$2,495.00	ECD10K/1-HV 410A KIT, 115V 50/60HZ
207500316	9108732755	\$2,660.00	ECD16K/2-HV 410A KIT, 115V 50/60HZ
207500307	9108844174	\$2,390.00	ECD6KZ/1-HV 410A KIT, 220-240 50/60 HZ
207500010	9108850337	\$2,580.00	ECD10KZ/1-HV 410A KIT, 220-240 50/60 HZ
207500017	9108821279	\$2,700.00	ECD16KZ/1-HV 410A KIT, 220-240 50/60 HZ

<b>INSTALLATION KIT (PUMP, GRILLES, DUCT, AND HARDWARE)</b>			
218000106	9108732761	\$1,200.00	INSTALL KIT 6K ECD6K/1-HV
218000110	9108732760	\$1,265.00	INSTALL KIT 10K ECD10K/1-HV
218000116	9108732758	\$1,345.00	INSTALL KIT 16K ECD16K/1-HV
218000117	9108844180	\$1,380.00	INSTALL KIT 16KZ ECD16KZ/1-HV

<b>DUAL DUCT KIT ( ENVIROCOOL AND ENVIROCOMFORT)</b>			
226600094	9108750550	\$170.00	DUAL DUCT KIT 6K ENVIRO UNITS
226600092	9108549923	\$170.00	DUAL DUCT KIT 10K & 16K ENVIRO UNITS

LEGACY ITEM #	NEW ITEM #	LIST PRICE (USD)	DESCRIPTION
<b>CUDDY II</b>			
<b>CUDDY II (UNIT ONLY)</b>			
207501012	9108846655	\$5,325.00	CDB3.5K-12VDC 134A 4"MR
218000120	9108850561	\$1,705.00	INSTALLATION KIT CDB3.5K INCLUDES PUMP AND OLED DISPLAY
222104040	9108849817	\$605.00	OLED GRAY 4-WIRE 12V T-STAT WITH HARNESS CDB3.5
222104041	9108849870	\$195.00	LCD WHITE 5-WIRE 12V T-STAT WITH HARNESS CDB3.5
225500405	9610000176	\$330.00	PUMP 12VDC 1.5GPM DIAPHRAGM

## DOMETIC EMERALD UNITS, R410A

LEGACY ITEM #	NEW ITEM #	NEW DESCRIPTION	LIST PRICE (USD)	REPLACES DEU UNITS	
---------------	------------	-----------------	------------------	--------------------	--

### DOMETIC EMERALD UNITS, R410A

#### 115V 60HZ

201150060	9108892998	DEG6-1171-410	\$2,780.00	201150060	DEU6 115V 60HZ
201150080	9108893441	DEG8-1171-410	\$2,820.00	201150080	DEU8 115V 60HZ
201150100	9108893446	DEG10-1171-410	\$2,960.00	201150100	DEU10 115V 60HZ
201150120	9108893450	DEG12-1171-410	\$3,035.00	201150120	DEU12 115V 60HZ
201150160	9108893454	DEG16-1171-410	\$3,165.00	201150160	DEU16 115V 60HZ

#### 220-240V 50/60HZ

201152065	9610000790	DEG6-2371-410	\$2,845.00	201152060	DEU6 230V 60HZ
				201151060	DEU6 220V 50HZ
201152087	9610000793	DEG8-2371-410	\$2,860.00	201152080	DEU8 230V 60HZ
				201151080	DEU8 220V 50HZ
201152174	9610000802	DEG10-2371-410	\$3,015.00	201152100	DEU10 230V 60HZ
				201151100	DEU10 220V 50HZ
201152129	9610000807	DEG12-2371-410	\$3,135.00	201152120	DEU12 230V 60HZ
				201151120	DEU12 220V 50HZ
201152186	9610000945	DEG16-2371-410	\$3,200.00	201152160	DEU16 230V 60HZ
				201151160	DEU16 220V 50HZ

#### 220V 50HZ 1 PHASE

201151250	9600017076	DEU24S-410 2251	\$4,920.00		
201151311	9600017078	DEU30S-410 2251	\$5,365.00		
201151371	9600017080	DEU36S-410 2251	\$5,625.00		
201151480	9108893494	DEU48-410 2251	\$6,170.00		
201151600	9108893507	DEU60-410 2251	\$7,500.00		

Mobile living made easy.

## DOMETIC EMERALD UNITS, R410A

LEGACY ITEM #	NEW ITEM #	NEW DESCRIPTION	LIST PRICE (USD)	REPLACES DEU UNITS	
<b>DOMETIC EMERALD UNITS, R410A</b>					
<b>230V 60HZ 1 PHASE</b>					
201152250	9600017075	DEU24S-410 2361	\$4,740.00		
201152311	9600017077	DEU30S-410 2361	\$5,235.00		
201152371	9600017079	DEU36S-410 2361	\$5,495.00		
201152480	9108893085	DEU48-410 2361	\$6,190.00		
201152604	9600001183	DEU60-410 2361	\$7,490.00		
<i>NOTE: SMART STARTS SOLD SEPARATELY</i>					

<b>230V 60HZ 3 PHASE</b>					
201153242	9108893471	DEU24 230V 60HZ 3 PHASE	\$5,060.00		
201153362	9108893493	DEU36 230V 60HZ 3 PHASE	\$6,010.00		
201153482	9108893502	DEU48 230V 60HZ 3 PHASE	\$6,760.00		
201153602	9108893508	DEU60 230V 60HZ 3 PHASE	\$7,500.00		
201153722	9108893513	DEU72 230V 60HZ 3 PHASE	\$8,335.00		

<b>380V 50HZ 3 PHASE</b>					
201153243	9108893472	DEU24 380V 50HZ 3 PHASE	\$5,060.00		
201153305	9610000742	DEU30 380V 50HZ 3 PHASE	\$5,365.00		
201153363	9108893281	DEU36 380V 50HZ 3 PHASE	\$6,010.00		
201153483	9108893503	DEU48 380V 50HZ 3 PHASE	\$6,850.00		
201153603	9108893509	DEU60 380V 50HZ 3 PHASE	\$7,800.00		
201153723	9108893514	DEU72 380V 50HZ 3 PHASE	\$8,715.00		

## EVAP - TVE, EBE, EBLE, EDLE, EBDE

LEGACY ITEM #	NEW ITEM #	LIST PRICE (USD)	DESCRIPTION
<b>EMERALD SERIES TURBOVAP UNITS, R410A WITH MOUNT RING</b>			
<b>115V 60HZ *THESE UNITS WILL COME STANDARD WITH MOUNT RINGS IN 2021</b>			
215612000	9108548591	\$1,210.00	TVE4, R410A 4"MR 115V
215612100	9108548592	\$1,210.00	TVE6, R410A 5"MR 115V
215612200	9108548594	\$1,210.00	TVE8, R410A 5"MR 115V
215612300	9108548595	\$1,265.00	TVE10, R410A 6"MR 115V
215612400	9108548596	\$1,295.00	TVE12, R410A 6"MR 115V
215612500	9108548597	\$1,375.00	TVE16, R410A 7"MR 115V
<b>230V 60HZ</b>			
215613005	9108728476	\$1,240.00	TVE4, R410A 4"MR 230V
215613105	9108728477	\$1,240.00	TVE6, R410A 5"MR 230V
215613205	9108728478	\$1,250.00	TVE8, R410A 5"MR 230V
215613305	9108728480	\$1,295.00	TVE10, R410A 6"MR 230V
215613405	9108728481	\$1,325.00	TVE12, R410A 6"MR 230V
215613505	9108728482	\$1,420.00	TVE16, R410A 7"MR 230V
<i>NOTE: TVE UNITS ALSO AVAILABLE WITH RIGHT HAND CONFIGURATION. CALL FOR PART NUMBER AND PRICING.</i>			

<b>EBE SERIES EVAPORATOR UNITS, R410A</b>			
215400519	9108893079	\$2,895.00	EBE18-230V, 50/60HZ 7"MR
215400533	9108893080	\$3,295.00	EBE24-230V, 50/60HZ 8"MR
215400530	9108690472	\$3,535.00	EBE30-230V, 50/60HZ 10"MR
215400536	9108690473	\$3,800.00	EBE36-230V, 50/60HZ 10"MR
<i>*NOTE: EBE AND EBLE ALSO AVAILABLE IN SOME MODELS WITH ELECTRIC HEAT. CALL FOR AVAILABILITY AND PRICING.</i>			

Mobile living made easy.

LEGACY ITEM #	NEW ITEM #	LIST PRICE (USD)	DESCRIPTION
<b>EBLE LOW PROFILE DRAW-THROUGH SERIES EVAPORATOR UNITS, R410A</b>			
215400412	9108690353	\$2,965.00	EBLE12-230V, 2 HV BLOWERS, 5"MR
215400415	9108690482	\$3,080.00	EBLE16-115V, 2 HV BLOWERS, 5"MR
215400416	9108690429	\$3,080.00	EBLE16-230V, 2 HV BLOWERS, 5"MR
215400424	9108690163	\$3,610.00	EBLE24-230V, 2 HV BLOWERS, 6"MR
215400430	9108690370	\$3,880.00	EBLE30-230V, 2 HV BLOWERS, 6"MR
215400436	9108690474	\$4,125.00	EBLE36-230V, 2 HV BLOWERS, 8"MR
<b>EBLE UNITS WITH PLENUM INSTALLED</b>			
215400417	9108698791	\$3,650.00	EBLEP16-230V, WITH PLENUM, 1/2"INS, 5"MR
215400427	9108749860	\$4,515.00	EBLEP24-230V, WITH PLENUM, 1/2" INS 6"MR
215400431	9108750608	\$4,560.00	EBLEP30-230V, WITH PLENUM, 1/2" INS, 6"MR
215400441	9600017124	\$4,690.00	EBLEP36-230V, WITH PLENUM, 1/2", 7"MR

### EDLE THE BREEZE LOW PROFILE EVAPORATOR UNITS, R410A

215400316	9108690480	\$2,665.00	EDLE16-230V, LOW PROFILE EVAP
-----------	------------	------------	-------------------------------

### EBDE DIRECT-DRIVE COOLING UNITS, R410A

215400648	9108690468	\$4,790.00	EBDE48V-230V, VERTICAL DISCHARGE
215400660	9108690470	\$5,295.00	EBDE60V-230V, VERTICAL DISCHARGE
215400673	9108791429	\$5,410.00	EBDE72V-220V, VERTICAL DISCHARGE

\*NOTE: SOME SIZES AVAILABLE IN HORIZONTAL DISCHARGE. CALL FOR PRICING.

EVAP - TVE, EBE, EBLE, EDLE, EBDE

LEGACY ITEM #	NEW ITEM #	LIST PRICE (USD)	DESCRIPTION
<b>EDL THE BREEZE LOW PROFILE EVAPORATOR UNITS, R417A</b>			
215311770	9108548534	\$2,825.00	EDL16, LOW PROFILE EVAP 115V
215311870	9108548547	\$2,825.00	EDL16C, LOW PROFILE EVAP 230V

<b>ACCESSORIES FOR TURBOVAP UNITS</b>			
221300318	9108549606	\$270.00	3' 1/4 X 3/8 INS FL2 (TURBOVAP 4-12K)
221300319	9108549607	\$280.00	3' 3/8 X 1/2 INS FL2 (TURBOVAP 16K)
229801627	9108891466	\$150.00	PLENUM ALM RA TV4K 8" RING
229801520	9108804580	\$215.00	PLENUM ALM RA TV6/8K 10" RING
229000038	9108798525	\$330.00	PLENUM ALM RA TV10/12K 12" RING
229000034	9108684115	\$250.00	PLENUM ALM RA TV16K 12" RING

Mobile living made easy.



## CRUISAIR CONDENSERS & EVAPORATORS

LEGACY ITEM #	NEW ITEM #	LIST PRICE (USD)	DESCRIPTION
<b>MODULATING CONDENSING UNITS, R417A</b>			
701724201	9108689898	\$7,450.00	RM24C-417 - 230V 60HZ
701330207	9108842611	\$8,255.00	RM30C-417 - 230V 60HZ
701742205	9108843785	\$8,945.00	RM42C-417 - 230V 60HZ
701724202	9108690362	\$7,450.00	RM24CK-417 - 240V 50HZ
701730303	9108689608	\$8,075.00	RM30CK-417 - 240V 50HZ
701742304	9108689041	\$8,945.00	RM42CK-417 - 240V 50HZ
701742501	9108689905	\$9,225.00	RM42DC-417 - 230V 60HZ 3PH

<b>MODULATING EVAPORATOR UNITS (R417A)</b>			
715221006	9108688191	\$3,440.00	EHMB6C, 230V, 1KW HEAT
715221009	9108689005	\$3,440.00	EHMB8C, 230V, 1KW HEAT
715221004	9108688139	\$3,530.00	EHMB10C, 230V, 1.5KW HEAT
715221003	9108688137	\$3,570.00	EHMB12C, 230V, 2KW HEAT
715221605	9108731265	\$3,570.00	EHMB16C, 230V, 2KW HEAT

<b>REFRIGERANT DISTRIBUTION MANIFOLDS</b>			
238100048	9108706798	\$355.00	DD4 DISCHARGE DISTRIB. 3/8"IN X (5) 1/4"OUT
238100037	9108694368	\$320.00	DD6-4 DISCHARGE DISTRIB. 3/8"IN X (3) 1/4"OUT

<b>COOLBREEZE</b>			
<b>FOR COCKPIT &amp; FLYBRIDGE AREAS (CALL FOR MORE INFORMATION)</b>			
703112251	9108689940	\$5,175.00	RSC12C-417, COOL ONLY COND 230V
715000602	9108691342	\$2,605.00	SCE6C, EVAP W/TX VALVE 230V 60HZ***

## AIR COOLED UNITS

LEGACY ITEM #	NEW ITEM #	LIST PRICE (USD)	DESCRIPTION
<b>DURASEA ROOFTOP (AIR-COOLED A/C)</b>			
B79516.XX1C0	9600005532	\$1,495.00	BRISKII COMMERCIAL, 15K, POLAR WHITE 115V 60HZ
<i>*NOTE: THE BELOW AIR DISTRIBUTION KIT SHOULD BE USED WHEN USING THE HEAT KIT.</i>			
3314851.000	9105304487	\$150.00	AIR DISTRIBUTION KIT, POLAR WHITE, 115V 60HZ
3314998.000	9105305708	\$150.00	HEAT KIT COMPLETE, 120V*
3309364.002	3309364.002	\$140.00	ROOFTOP COVER REPLACEMENT KIT, POLAR WHITE
3107688.016	9108553999	\$75.00	KIT, DRAIN SYSTEM ACCESSORY

## **RADOME UNITS AIR-COOLED A/C** **(FOR COOLING OF RADAR/COMMUNICATION DOMES)** CALL FOR MORE INFORMATION

### **RADOME UNITS INTERNALLY MOUNTED**

202000421	9600025618	\$7,800.00	HSA16UKCZ/3-417A SS W/CORD
-----------	------------	------------	----------------------------

### **RADOME UNITS EXTERNALLY MOUNTED WITH REMOTE DISPLAYS**

202000438	9610000773	\$7,880.00	HSA16UKCZ/3-417A SS 230V 5" DUCT 20' DISPLAY CABLE
-----------	------------	------------	--

### **RADOME DUCT KIT**

226600029	9610001395	\$950.00	KIT RADOME CND EXT GEN 2/3
-----------	------------	----------	----------------------------

### **RADOME HEATER KIT**

298001386	298001389	\$475.00	RETRO HEAT ASY HSA16Z/1 1KW
-----------	-----------	----------	-----------------------------

Mobile living made easy.

**DURASEA CONDENSING UNIT MODEL NUMBER NOMENCLATURE**

**D C A 0 3 6 A 4 6 6 3 C 0 A A**

DuraSea Condensing Unit

Refrigerant Type

- A = R410A
- B = R417A

Nominal Tonnage

- 030 = 2.5 Tons
- 036 = 3 Tons
- 048 = 4 Tons
- 060 = 5 Tons
- 072 = 6 Tons
- 090 = 7.5 Tons
- 120 = 10 Tons

Control Type

- A = None -use with 24VAC Thermostat
- Q = Unity Control

Voltage

- 2361 = 230V/60/1
- 2251 = 220V/50/1
- 2363 = 208-230V/60/3
- 4663 = 460V/60/3
- 4053 = 400V/50/3
- 3853 = 380V/50/3

Options

- A = None
- B = Nema 4x electric Box & heat shrunk electric connections
- C = Low ambient Fan Cycling Control
- D = Phase Monitor
- E = Valve Fan Side (VFS) - standard on 7.5/10 ton models
- F = Variable Frequency Drive
- G = Crankcase Heater
- H = Suction Accumulator
- I = Reserved for future use
- J = Reserved for future use
- K = Combination of options B, C, D, G, and H
- L = Combination of options B and D
- M = Combination of options B, C, and D
- N = Combination of options B, C, D and H
- P = Combination of options B and G
- R = Combination of options B, C, and F
- S = Combination of options B, C, D, E, G, and H
- T = Combination of options B, C, F, G and H
- U = Combination of options B, D, F and H
- V = Combinations if options C and D

Design Revision

- A = Initial Rev

Not Used

- 0 = Not Used

Coil Options

- A = Al Fin/Copper Tube
- B = E-Coat Al Fin/Copper Tube
- C = Copper Fin/Tube



## DURASEA CONDENSERS

BASE SIZE	LIST PRICE (USD)	DESCRIPTION
<b>DURASEA CONDENSING UNITS BASE MODELS</b>		
<b>410A - ELECTROFIN® E-COAT ALUMINUM FINNED/COPPER TUBE CONDENSER (COIL OPTION B)</b>		
DCA036A	\$9,400.00	DURASEA 36,000 BTU, R410A
DCA048A	\$9,700.00	DURASEA 48,000 BTU, R410A
DCA060A	\$11,200.00	DURASEA 60,000 BTU, R410A
DCA072A	\$12,000.00	DURASEA 72,000 BTU, R410A
DCA090A	\$14,300.00	DURASEA 90,000 BTU, R410A
DCA120A	\$15,800.00	DURASEA 120,000 BTU, R410A
<b>410A - COPPER FINNED/COPPER TUBE CONDENSER (COIL OPTION C)</b>		
DCA036A	\$10,400.00	DURASEA 36,000 BTU, R410A
DCA048A	\$10,700.00	DURASEA 48,000 BTU, R410A
DCA060A	\$12,200.00	DURASEA 60,000 BTU, R410A
DCA072A	\$13,000.00	DURASEA 72,000 BTU, R410A
DCA090A	\$15,300.00	DURASEA 90,000 BTU, R410A
DCA120A	\$16,800.00	DURASEA 120,000 BTU, R410A

OPTIONS AND ADDERS	36K - 48K	60K - 72K	90K - 120K	DESCRIPTION
<b>THE BELOW OPTIONS ARE AVAILABLE AS AN ADDER TO THE BASE UNIT LIST.</b>				
SEE PREVIOUS PAGE FOR DESCRIPTION OF OPTIONS.				
UNITY CONTROL	\$345.00	\$345.00	\$345.00	
380/50HZ UNITS	\$195.00	\$270.00	\$320.00	
OPTION B	\$670.00	\$670.00	\$670.00	B = NEMA 4X ELECTRIC BOX & HEAT SHRUNK ELECTRIC CONNECTIONS
OPTION C	\$300.00	\$300.00	\$300.00	C = LOW AMBIENT FAN CYCLING CONTROL
OPTION D	\$200.00	\$200.00	\$200.00	D = PHASE MONITOR

Mobile living made easy.

OPTIONS AND ADDERS	36K - 48K	60K - 72K	90K - 120K	DESCRIPTION
--------------------	-----------	-----------	------------	-------------

**THE BELOW OPTIONS ARE AVAILABLE AS AN ADDER TO THE BASE UNIT LIST.**

SEE PREVIOUS PAGE FOR DESCRIPTION OF OPTIONS.

UNITY CONTROL	\$345.00	\$345.00	\$345.00	
380/50HZ UNITS	\$195.00	\$270.00	\$320.00	
OPTION B	\$670.00	\$670.00	\$670.00	B = NEMA 4X ELECTRIC BOX & HEAT SHRUNK ELECTRIC CONNECTIONS
OPTION C	\$300.00	\$300.00	\$300.00	C = LOW AMBIENT FAN CYCLING CONTROL
OPTION D	\$200.00	\$200.00	\$200.00	D = PHASE MONITOR
OPTION E	\$475.00	\$475.00	N/A	E = VALVE FAN SIDE (VFS) - STANDARD ON 7.5/10 TON MODELS
OPTION F	CALL FOR PRICE	CALL FOR PRICE	CALL FOR PRICE	F = VARIABLE FREQUENCY DRIVE
OPTION G	\$255.00	\$255.00	\$255.00	G = CRANKCASE HEATER
OPTION H	\$750.00	\$750.00	\$1,000.00	H = SUCTION ACCUMULATOR

**COMBINATIONS:**

OPTION K	\$2,175.00	\$2,175.00	\$2,425.00	K = COMBINATION OF OPTIONS B, C, D, G, AND H
OPTION L	\$870.00	\$870.00	\$870.00	L = COMBINATION OF OPTIONS B AND D
OPTION M	\$1,170.00	\$1,170.00	\$1,170.00	M = COMBINATION OF OPTIONS B, C, AND D
OPTION N	\$1,920.00	\$1,920.00	\$2,170.00	N = COMBINATION OF OPTIONS B, C, D AND H
OPTION P	\$925.00	\$925.00	\$925.00	P = COMBINATION OF OPTIONS B AND G
OPTION R	CALL FOR PRICE	CALL FOR PRICE	CALL FOR PRICE	R = COMBINATION OF OPTIONS B, C, AND F
OPTION S	\$2,650.00	\$2,650.00	N/A	S = COMBINATION OF OPTIONS B, C,D, E, G, AND H
OPTION T	CALL FOR PRICE	CALL FOR PRICE	CALL FOR PRICE	T = COMBINATION OF OPTIONS B, C, F, G AND H
OPTION U	CALL FOR PRICE	CALL FOR PRICE	CALL FOR PRICE	U = COMBINATION OF OPTIONS B, D, F AND H
OPTION V	\$500.00	\$500.00	\$500.00	V= COMBINATIONS IF OPTIONS C AND D



## DURASEA CONDENSERS

LEGACY ITEM #	NEW ITEM #	LIST PRICE (USD)	DESCRIPTION
<b>ACCESSORIES AND REPLACEMENT PARTS</b>			
203000008	9108749834	\$385.00	ELECTRIC BOX DCA 24VAC T-STAT
<i>NOTE: USE THESE TRANSFORMER BOXES WHEN APPLYING DURASEA UNITS ALONG WITH AHU'S THAT DO NOT INCLUDE 24VAC TRANSFORMERS.</i>			
298001146	298001146	\$235.00	ELEVATION MOUNT DCA24-72

Mobile living made easy.

LEGACY ITEM #	NEW ITEM #	LIST PRICE (USD)	DESCRIPTION
<b>VARIABLE CAPACITY CHILLER</b>			
260170001	9108891833	\$13,850.00	VARCX48 2371
260170007	9600017092	\$16,550.00	VARCX60 2371
260170006	9600017093	\$16,850.00	VARCX72 2371
260175037	9600026320	\$26,650.00	VARCX120 2371
260175036	9600026333	\$26,650.00	VARCX120 2373
260175035	9600026335	\$26,800.00	VARCX120 4073

CHILLER TONS	# OF STAGES	MANIFOLD SET	BASE	VARC SIZE	MANIFOLD SIZE
<b>BASES AND MANIFOLDS</b>					
8	2	\$2,845.00	\$1,525.00	VARCX48	1.5"
12	3	\$4,425.00	\$1,820.00	VARCX48	2"
16	4	\$5,305.00	\$2,200.00	VARCX48	2"
16	4	\$5,125.00	\$2,200.00	VARCX48	2"
20	5	\$6,495.00	\$2,650.00	VARCX48	2.5"
24	6	\$6,890.00	\$3,125.00	VARCX48	2.5"
12	2	\$3,835.00	\$1,625.00	VARCX60-72	2"
18	3	\$4,425.00	\$1,920.00	VARCX60-72	2"
24	4	\$5,895.00	\$2,300.00	VARCX60-72	2.5"
30	5	\$6,495.00	\$2,750.00	VARCX60-72	2.5"
36	6	\$11,595.00	\$3,225.00	VARCX60-72	3"
20	2	\$5,995.00	\$1,825.00	VARCX120	2.5"
30	3	\$7,995.00	\$2,120.00	VARCX120	2.5"
40	4	\$13,995.00	\$2,500.00	VARCX120	3"
50	5	\$17,295.00	\$2,950.00	VARCX120	3"
60	6	\$20,475.00	\$3,425.00	VARCX120	4"

NOTE: SW IS SCH80 CPVC, CW IS COPPER



## MCGX & TWCX PLC CHILLERS

CHILLER K BTU	LIST PRICE (USD)	CHILLER K BTU	LIST PRICE (USD)	CHILLER K BTU	LIST PRICE (USD)
<b>MCGX BASE UNITS WITH PLC</b>					
<b>2361/2251 WITH SMART START</b>		<b>2363/2253/4663</b>		<b>3853</b>	
36	\$12,300.00	36	\$11,450.00	36	\$12,300.00
48	\$13,050.00	48	\$12,200.00	48	\$13,550.00
60	\$13,700.00	60	\$13,350.00	60	\$14,300.00
72	\$14,750.00	72	\$14,400.00	72	\$14,750.00
<b>MCGX BASE UNITS WITH PLC 90K-180K</b>					
90	N/A	90	\$20,100.00	90	\$20,200.00
120	N/A	120	\$21,950.00	120	\$22,050.00
150	N/A	150	\$30,750.00	150	\$31,750.00
180	N/A	180	\$31,950.00	180	\$32,050.00
<b>MCGXLP BASE UNITS WITH PLC</b>					
<b>2361/2251 WITH SMART START</b>		<b>2363/2253/4663</b>		<b>3853</b>	
36	\$12,700.00	36	\$12,350.00	36	\$12,450.00
48	\$13,200.00	48	\$12,850.00	48	\$12,950.00
60	\$14,900.00	60	\$14,550.00	60	\$14,650.00
72	\$15,600.00	72	\$15,250.00	72	\$15,350.00
<b>TWCX BASE UNITS WITH PLC</b>					
<b>2361/2251 WITH SMART START</b>		<b>2363/2253/4663</b>		<b>3853</b>	
24	\$7,550.00	24	\$7,200.00	24	\$7,300.00
30	\$7,900.00	30	\$7,550.00	30	\$7,650.00
36	\$8,100.00	36	\$7,750.00	36	\$7,850.00
48	\$10,600.00	48	\$9,750.00	48	\$9,850.00
60	\$11,000.00	60	\$10,650.00	60	\$10,750.00
72	CALL FOR PRICE	72	\$11,650.00	72	\$11,750.00

Mobile living made easy.



**MCGX CHILLER BASES**

MARINE AIR AUTHORIZED DISTRIBUTORS AND DEALERS ONLY

# OF STAGES	2-6 TON	7-10 TON	12-15 TON
2	\$1,500.00	\$1,950.00	\$2,150.00
3	\$1,700.00	\$2,150.00	\$2,350.00
4	\$1,900.00	\$2,350.00	\$2,550.00
5	\$2,100.00	\$2,550.00	\$2,750.00

NOTE: USE 7-10 TON BASE PRICE FOR 50HZ 6-TON CHILLERS

CHILLER (TONS)	# OF STAGES	MANIFOLD SIZE	MANIFOLD SET
<b>MCGX CHILLER MANIFOLD SETS</b>			
4 - 10	2	1.5"	\$3,914.00
4 - 10	3	1.5"	\$4,981.00
4 - 10	4	1.5"	\$6,983.00
11 - 18	2	2.0"	\$4,074.00
11 - 18	3	2.0"	\$4,803.00
11 - 18	4	2.0"	\$5,580.00
11 - 18	5	2.0"	\$6,150.00
19 - 33	2	2.5"	\$6,635.00
19 - 33	3	2.5"	\$6,772.00
19 - 33	4	2.5"	\$6,903.00
19 - 33	5	2.5"	\$7,037.00
34 - 50	3	3.0"	\$11,192.00
34 - 50	4	3.0"	\$12,431.00
34 - 50	5	3.0"	\$13,639.00

THE MANIFOLD SET INCLUDES:

- INLET AND OUTLET CW MANIFOLDS, INSULATED COPPER

- INLET AND OUTLET SW MANIFOLDS, PVC, WITH CLEANOUT PLUG AT OPPOSITE END OF MANIFOLD CONNECTION

MANIFOLDS ARE PART OF A MULTI-STAGE CHILLER SYSTEM AND ARE NOT SOLD SEPARATELY. CALL FOR PRICING ON VERTICAL FRAMES AND MANIFOLDS.

THE DUAL-FEED NOW INCLUDED, ALLOWS CONNECTION AT EITHER SIDE OF MANIFOLD; BOTH SIDES WILL HAVE FPT CONNECTION, WITH A PLUG IN ONE END.

## MTDX - TWCX BASES AND MANIFOLDS

# OF STAGES	BASE	FRAME
<b>MTDX MULTI-UNIT MOUNTING BASES AND FRAMES</b>		
<b>2-TON THROUGH 6-TON UNITS</b>		
2	\$1,630.00	\$3,340.00
3	\$1,990.00	\$3,795.00
4	\$2,185.00	\$4,195.00
5	\$2,535.00	\$4,640.00
6	\$3,230.00	\$5,350.00

<b>8-TON AND 10-TON UNITS</b>		
2	\$1,855.00	\$3,445.00
3	\$2,165.00	\$3,780.00
4	\$2,375.00	\$4,385.00
5	\$3,265.00	\$5,430.00
6	\$3,800.00	\$6,435.00

CHILLER TONS	TWC SIZE	MANIFOLD SIZE	# OF STAGES	MANIFOLD SET	BASE
<b>TWCX MULTI-UNIT BASES AND MANIFOLDS</b>					
4 - 6	TWCX24-36	1.25"	2	\$2,450.00	\$1,625.00
4 - 6	TWCX24-30	1.25"	3	\$3,110.00	\$1,920.00
7 - 9	TWCX30-36	1.5"	3	\$3,695.00	\$1,920.00
10 - 12	TWCX36	2"	4	\$5,045.00	\$2,300.00
10 - 15	TWCX24-36	2"	5	\$6,040.00	\$2,600.00
8 - 10	TWCX48-60	1.5"	2	\$2,845.00	\$1,625.00
12	TWCX72	2"	2	\$3,255.00	\$1,625.00
12 - 18	TWCX48-72	2"	3	\$4,425.00	\$1,920.00
16	TWCX48	2"	4	\$5,305.00	\$2,300.00
20 - 24	TWCX60-72	2.5"	4	\$8,125.00	\$2,300.00
20 - 30	TWCX48-72	2.5"	5	\$8,495.00	\$2,600.00
24 - 30	TWCX48-60	2.5"	6	\$9,640.00	\$2,880.00
36	TWCX72	3"	6	\$13,235.00	\$2,880.00

Mobile living made easy.

# OF STAGES	208-230V (1PH)	208-230V (3PH)	380-460V (3PH)
<b>PLC CONTROL PANEL STANDARD PACKAGE</b>			
2	\$10,200.00	\$10,900.00	\$11,000.00
3	\$12,450.00	\$13,550.00	\$14,050.00
4	\$14,575.00	\$15,475.00	\$15,975.00
5	\$16,300.00	\$17,200.00	\$18,600.00
6	\$18,050.00	\$19,550.00	\$21,050.00
<b>NOTES:</b>			
1. THE STANDARD PACKAGE INCLUDES THE STANDARD PLC PGD1 CONTROLLER.			
2. DOES NOT SUPPORT TOUCH SCREEN OR REMOTE CONNECTIVITY.			
3. ABOVE PRICING INCLUDES CIRCUIT BREAKERS AND RELAYS FOR COMPRESSORS, SINGLE CW & SW PUMPS			
4. 380-460V PANELS INCLUDE A TRANSFORMER FOR CONTROL POWER			

# OF STAGES	208-230V 1PH - 3PH	380-460V 3PH	208-230V 1PH - 3PH	380-460V 3PH
<b>PLC CONTROL PANEL PLATINUM PACKAGE</b>				
	7" PLC COLORED TOUCH SCREEN	7" PLC COLORED TOUCH SCREEN	13" PLC COLORED TOUCH SCREEN	13" PLC COLORED TOUCH SCREEN
2	\$14,500.00	\$14,700.00	\$17,100.00	\$17,500.00
3	\$17,050.00	\$17,550.00	\$19,950.00	\$20,350.00
4	\$20,700.00	\$21,200.00	\$23,500.00	\$24,000.00
5	\$22,350.00	\$23,750.00	\$25,150.00	\$26,550.00
6	\$24,700.00	\$25,300.00	\$27,500.00	\$28,100.00
<b>NOTES:</b>				
1. AVAILABLE WITH 7" OR 13" COLORED TOUCH SCREEN.				
2. ABOVE PRICING INCLUDES CIRCUIT BREAKERS AND RELAYS FOR COMPRESSORS, SINGLE CW & SW PUMPS				
3. 380-460V PANELS INCLUDE A TRANSFORMER CONTROL POWER				
4. SEE BELOW FOR UPGRADE OPTIONS				

## ELECTRICAL PANEL

# OF STAGES	UPGRADE 1	UPGRADE 2	PLATINUM LIST PRICE (UPGRADE 1 & 2)
<b>PLC PANEL PLATINUM PACKAGE UPGRADES</b>			
2	\$3,400.00	\$1,300.00	\$4,700.00
3	\$5,000.00	\$1,400.00	\$6,300.00
4	\$6,900.00	\$2,200.00	\$9,000.00
5	\$8,400.00	\$2,300.00	\$10,600.00
6	\$9,600.00	\$2,500.00	\$11,900.00
<p><b>UPGRADE 1 INCLUDES:</b> PRESSURE TRANSDUCERS AND TEMP SENSORS TO MONITOR REFRIGERANT PRESSURE AND TEMP - WHICH WILL BE INSTALLED ON MODULES FROM FACTORY IF ORDERED.</p> <p><b>UPGRADE 2 INCLUDES:</b> CHILLED WATER AND SEA WATER PUMP CURRENT SINGLE MONITORING, COMPRESSOR AMPERAGE WITHOUT VFD COMMUNICATION. ADDITIONAL PUMPS EXTRA.</p>			

OPTIONAL FEATURES	REQUIRED		ADDER
VARIABLE SW PUMP	LEVEL 1 UPGRADE/VFD(S)		\$500.00
LOAD BANKING	IMMERSION HEAT		\$500.00
CONDENSER TEMP MONITORING	TEMP SENSORS		\$500.00
SW/CW PRESSURE	TRANSDUCERS/CABLE		\$635.00
LOAD SHEDDING	NONE		\$500.00
STAGE SW PUMP	PANEL CONTACTORS	2 STAGES	\$945.00
		3 STAGES	\$1,535.00
STAGE SW PUMP 3PH	PANEL CONTACTORS	2 STAGES	\$1,320.00
		3 STAGES	\$2,285.00
STAGE SW PUMP CURRENT ONLY	CURRENT TRANSDUCER	2 STAGES	\$745.00
	10 AMP	3 STAGES	\$940.00
2-SPEED COMPRESSOR	VFDS		\$500.00
VFD COMMUNICATION	VFDS		\$500.00

Mobile living made easy.

DESCRIPTION	LIST PRICE (USD)	
<b>PLC PANEL OPTIONAL ADDITIONAL PARTS</b>		
7INCH TOUCH SCREEN	\$2,150.00	
PLDPRO PLC SMALL DISPLAY	\$350.00	
PGD1 REMOTE PLC DISPLAY	\$605.00	
SPLITTER MULTIPLE PGD1 DISPLAYS	\$85.00	
SPARE PUMP SELECTOR SWITCH, 1-PHASE (WITH CONTACTOR):	\$500.00	EACH
SPARE PUMP SELECTOR SWITCH, 3-PHASE (WITH RELAY & OVERLOAD):	\$825.00	EACH
EXTEND HARNESS (10' STD, UP TO 30' ):	\$260.00	PER STAGE
DUAL POWER INPUT (SPLIT-BUS):	\$255.00	
DUAL DOORS (WIDE PANELS):	\$685.00	
MOUNT PANEL ON CHILLER FRAME:	\$365.00	
WATER PRESSURE TRANSDUCER	\$767.00	EACH
<b>ELECTRONIC EXPANSION VALVE PLATINUM PLC UPGRADE 1 (WITH NEW CHILLER MODULE) ADDERS:</b>		
EEV 2 TO 8 TON CHILLERS	\$165.00	
EEV 10 TON CHILLERS AND UP	\$450.00	

## PLC PARTS DESCRIPTIONS

PLC	MAIN CONTROL WITH EMBEDDED DISPLAY FOR OPERATION, ONE PER 3 STAGES.  IF TOUCH SCREEN IS NOT USED, THE USER HAS THE OPTION OF USING THE EMBEDDED SCREEN ON THE PLC OR A REMOTE DISPLAY (337420), WHICH MIRRORS THE MAIN PLC.
TOUCHSCREEN	GRAPHICAL DISPLAY(S), REQUIRED IF REMOTE CONNECTIVITY IS DESIRED FOR REMOTE OPERATION AND DIAGNOSIS. PLATINUM SERIES ONLY.
CURRENT TRANSDUCER	USED TO MONITOR THE AMPERAGE OF COMPRESSORS AND (OR) PUMPS, FOR DISPLAY AND FAULT SENSING.
PRESSURE TRANSDUCER	MONITORS THE REFRIGERANT PRESSURE OR WATER PRESSURE FOR DISPLAY AND FAULT SENSING.

## ELECTRICAL PANEL

LEGACY ITEM #	NEW ITEM #	LIST PRICE (USD)	DESCRIPTION
---------------	------------	------------------	-------------

### STIIC

263400309	9108851028	\$5,800.00	KIT CNTL STIIC PLC-7" E/BOX
-----------	------------	------------	-----------------------------

INCLUDES CONTROL FOR--6-STAGE CHILLER, 10-AIRHANDLER OR DX CONTROLS WITH CANBUS, 2-ESKIMO ICE, 6-KRA UNITS, 18-COOLER BOX CONTROLS, 2-XTC WATERMAKERS, 2-ZTC SPOT ZERO WATER PURIFIERS (OPTION TO UPGRADE UP TO 40 AIRHANDLER OR DX CONTROLS WITH CANBUS)

### PLC-OTS ELECTRIC BOXES FOR PLC CHILLER MODULES

THIS ELECTRIC BOX CAN BE USED WITH 2 TO 6 STAGE MCG CHILLERS WITH PLC CONTROLS AS EITHER A FIELD RETROFIT (SEE NOTICE BELOW) OR IT CAN BE ORDERED WITH A NEW CHILLER. THE BOX CONTAINS THE, SW & CW PUMP CONTACTORS (AND OVERLOADS IF 3 PH), A TERM. BLOCK FOR PUMP & POWER CONNECTIONS, PGD1 WHITE DOMETIC DISPLAY IN THE LID. CIRCUIT BREAKERS ARE NOT INCLUDED. ORDER PARTS FROM THE LISTS BELOW TO CREATE A COMPLETE PLC-OTS BOX & HARNESS ASSEMBLY.

263600223	9108891700	\$1,450.00	SINGLE PHASE CWPLC-OTS BOX WITH TWO 230VAC PUMP CONTACTORS.
-----------	------------	------------	---

263600224	9108886685	\$1,500.00	THREE PHASE CWPLC-OTS BOX WITH TWO 230VAC PUMP CONTACTORS.
-----------	------------	------------	--

#### ALSO AVAILABLE FOR 3 PHASE APPLICATION. CALL FOR INFORMATION.

1. BOX DIMENSIONS: STANDARD IS 14"HX12"WX4.7"D, ADD 1 OR 2 PUMPS AND DIMENSIONS ARE 11"HX15"WX-4.7"D.
2. NEED TO SPECIFY 3 PHASE PUMP VOLTS & AMPS AND/OR HORSEPOWER WHEN ORDERING 3 PHASE BOXES.
3. 380-460VAC POWER SUPPLIED CHILLERS SHOULD USE THE 230VAC PUMP CONTACTOR OTS BOXES.
4. CXP CABLE IS NEEDED TO CONNECT OTS TO STAGE 1 CHILLER.
5. STAGES ARE NETWORKED TOGETHER WITH 3 CONDUCTOR 18/22 GAUGE WIRE.

LEGACY ITEM #	NEW ITEM #	LIST PRICE (USD)	DESCRIPTION
---------------	------------	------------------	-------------

### SINGLE-UNIT MPLC MODULAR CONTROL PANELS CRUISAIR MTDV (CRUISAIR ONLY)

263200017	9108855420	\$2,125.00	MPLC-XC ALL MTDV UNITS, 208-480V, 1 & 3 PH, 115/230V WITHOUT DISPLAY
-----------	------------	------------	--

263200018	9108855425	\$2,125.00	MPLC-VXC CONTROL PANEL, AS ABOVE, FOR USE WITH VFD'S
-----------	------------	------------	--

IN ADDITION TO THE MPLC SINGLE-UNIT PANEL (ONE PER CHILLER), THE SYSTEM WILL REQUIRE A STANDARD PLC DISPLAY (PGD1), CNP5 NETWORK CABLES (ONE PER PANEL), 2X PUMP RELAYS (FOR CIRCULATION AND SEAWATER PUMPS)

Mobile living made easy.

LEGACY ITEM #	NEW ITEM #	LIST PRICE (USD)	DESCRIPTION
<b>DDC MECHANICAL ROCKER SWITCH CONTROL</b>			
263600104	263600104	\$350.00	HARNESS 1 STAGE DDC REMOTE SWITCH, 25'
263600107	263600107	\$435.00	HARNESS 2 STAGE DDC REMOTE SWITCH, 25'
263600108	263600108	\$510.00	HARNESS 3 STAGE DDC REMOTE SWITCH, 25'
263600114	263600114	\$675.00	HARNESS 4 STAGE DDC REMOTE SWITCH, 25'
<b>PLC CONTROL PANEL PARTS</b>			
336868	336868	\$16.00	5' DISPLAY CABLE FOR PGD1
290336951	4471000133	\$2,205.00	CONTROL, PLC LARGE PCO5+ W/BUILT IN PGD1 DISPLAY, USED ON HIGH END
263120358	9108922625	\$630.00	CONTROL KIT, SML PLC 230VAC USED ON BASIC CHILLER
290337668	290337668	\$730.00	CONTROL KIT, PLC MED 230V EEV USED FOR BASIC CHILLER W/OPTIONS
263400120	9108918317	\$825.00	CONTROL KIT, PLC SML 230VAC EEV USED FOR VARC48
263120356	9108850272	\$3,025.00	CONTROL KIT, PLC HE CHILLERS
290340413	290340413	\$150.00	PRESSURE TRANSDUCER 0-652PSIG 1/4 FPT
290336867	4471000083	\$170.00	POWER SUPPLY 24VDC 1.5A DIN
336863	336863	\$38.00	CHILLER TEMP SENSOR 10 FT CABLE
337423	337423	\$46.00	CHILLER TEMP SENSOR 20 FT CABLE
298001762	298001762	\$205.00	MTD HARNESS WITH PLC SENSORS
263120355	9108850271	\$895.00	EVO DRIVER W/DISPLAY FOR PROGRAMMING
290337561	4471000693	\$375.00	EVO DRIVER DISPLAY ONLY

## ELECTRICAL PANEL

LEGACY ITEM #	NEW ITEM #	LIST PRICE (USD)	DESCRIPTION
<b>OTHER CHILLED WATER ACCESSORIES</b>			
<b>PROBE WELL ASSY. TEE FOR WATER SENSOR - FOR RETROFITS OR IF BUILDING NEW MANIFOLD</b>			
297700671	297700671	\$250.00	1.5" SCH80 PVC
297700672	297700672	\$360.00	2.0" SCH80 PVC
<b>PRESSURE/TEMPERATURE GAUGES/VALVES/MISC.</b>			
4061200	4061200	\$455.00	HUMIDISTAT, WALL MOUNT, 115V/230V
263600110	263600110	\$595.00	PRESSURE/TEMPERATURE GAUGE KIT PANEL
263600125	9108552302	\$775.00	PRESSURE/TEMPERATURE GAUGE KIT BOX
263600080	263600080	\$195.00	PRESSURE GAUGE ONLY IN PANEL W/5' TUBE
290360586	4471000683	\$160.00	TEMPERATURE DIAL GAUGE ( PANEL)
334215	334215	\$145.00	PRESSURE DIAL GAUGE, USG BLACK CASING
290330482	290330482	\$50.00	1/2" NPT BRASS BALL VALVE (TAPERED FULL PORT) *
<b>NOTES:</b>			
1. PRESS/TEMP GAUGE KIT HAS 1 PRESS GAUGE FOR RETURN WATER, AND 2 TEMP GAUGES FOR SUPPLY AND RETURN WATER.			
2. PURCHASE PROBE WELL #330127 IF BUYING GAUGE PANEL OR BOX SEPARATELY FROM MANIFOLDS.			

Mobile living made easy.



## VFD, RFI FILTERS, LINE REACTORS

NOMINAL HP	COMP VOLTAGE IN/OUT	MAX AMP RATING		VFD 320		
		3-PH IN	1-PH IN	ITEM NO.	NEW ITEM #	LIST PRICE
<b>PROGRAMMED VARIABLE FREQUENCY DRIVES</b>						
<b>ALTIVAR 320 VARIABLE FREQUENCY DRIVES (STANDARD VFDS)</b>						
5HP	2361>2363	-	10.1	263250903	9600023939	\$2,060.00
7.5HP	2361>2363	-	15.9	263250906	9600023941	\$2,600.00
10HP	2361>2363	-	19.1	263250909	9600024008	\$2,955.00
15HP	2361>2363	-	31.2	263250911	9600024010	\$3,500.00
20HP	2361>2363	-	38.1	263250913	9600024012	\$4,705.00
5HP	2363>2363	17.5	-	263250904	9600023940	\$2,060.00
7.5HP	2363>2363	27.5	-	263250907	9600023942	\$2,600.00
10HP	2363>2363	33	-	263250910	9600024009	\$2,955.00
15HP	2363>2363	54	-	263250912	9600024011	\$3,500.00
5HP	3853>3853	9.5	-	263250914	9600024013	\$1,995.00
7.5HP	3853>3853	14.3	-	263250900	9600023936	\$2,315.00
10HP	3853>3853	17	-	263250905	9600023734	\$2,660.00
15HP	3853>3853	27.7	-	263250908	9600023983	\$3,960.00
<b>ALTIVAR 212 VARIABLE FREQUENCY DRIVES (LOWER HARMONIC DISTORTION VFDS)</b>						
10HP	4063>4063	16		263250557	9600007189	\$2,605.00

NOMINAL HP	COMP VOLTAGE	MAX AMP RATING		RFI FILTERS (CLASS B EMC)		
		3-PH IN	1-PH IN	ITEM NO.	NEW ITEM #	LIST PRICE
<b>RFI FILTERS (ELIMINATE HIGH FREQUENCY INTERFERENCE)</b>						
15 - 20HP	208-230V	54	31.2	763300004	763300004	\$1,110.00

NOTE: RFI FILTERS ARE COMPATIBLE WITH EITHER THE ALTIVAR 31S OR THE ALTIVAR 21S.

TO SELECT A VFD USE THE HEAT AMPERAGE ON DATA PLATE MULTIPLIED BY 1.1 AND ROUND UP TO THE NEAREST MAX AMERAGE RATE OF VOLTAGE FOR CHILLER.

## MARINE AIR MCGX & CHC

LEGACY ITEM NO.	NEW ITEM #	LIST PRICE (USD)	NEW DESCRIPTION
<b>MARINE AIR AUTHORIZED DISTRIBUTORS AND DEALERS ONLY</b>			
<b>MCGX TITAN MODULES REVERSE CYCLE, R410A REFRIGERANT, DDC CONTROL - LEGACY</b>			
<b>SINGLE PHASE UNITS NOW WITH SMART START ONLY</b>			
260162043	9108922586	\$13,150.00	MCGX36 2361 SMARTSTART™
260162039	9108916317	\$12,800.00	MCGX48 2361 SMARTSTART™
260162038	9108915922	\$14,950.00	MCGX60 2361 SMARTSTART™
260162019	9108916322	\$15,650.00	MCGX72 2361 SMARTSTART™
260162007	9108916494	\$12,800.00	MCGX36 2363
260162011	9108915838	\$13,450.00	MCGX48 2363
260162016	9108886938	\$14,200.00	MCGX60 2363
260162020	9108893301	\$14,650.00	MCGX72 2363
260162023	9108916324	\$20,100.00	MCGX90 2363
260162026	9108892602	\$21,950.00	MCGX120 2363
260162012	9108916318	\$13,550.00	MCGX48 3853
260162017	9108892185	\$14,300.00	MCGX60 3853
260162021	9108916323	\$14,750.00	MCGX72 3853
260162024	9108916325	\$20,200.00	MCGX90 3853
260162027	9108916326	\$22,050.00	MCGX120 3853
260162030	9108919205	\$31,750.00	MCGX150 3853
260162033	9108893726	\$33,650.00	MCGX180 3863
260162013	9108893689	\$13,450.00	MCGX48 4663
260162028	9108893725	\$21,950.00	MCGX120 4663
<i>NOTES MCGV CHILLERS</i>			
1. DDC MODULES ARE "STAND ALONE", SINGLE STAGE MCG CHILLERS WITH DDC CONTROLS, ONE ELECTRICAL BOX PER STAGE. THESE MODULES CAN BE STAGED TOGETHER TO THE REQUIRED TOTAL CAPACITY. EACH MODULE REQUIRES A DEDICATED CIRCUIT BREAKER IN THE SHIP'S A/C PANEL. *OTS BOX OR MECHANICAL SWITCH IS REQUIRED			
2. MULTI-STAGE MODULES CAN BE CALCULATED BY TAKING DDC LIST PRICE LESS \$800. THESE MODULES ARE PART OF A MULTI-STAGED SYSTEM WITH A SINGLE MULTI-UNIT "WELDED" CONTROL PANEL CONTAINING CWMC OR PLC CONTROLS & ONE CIRCUIT BREAKER PER STAGE.			
3. 380/460V DDC "STAND-ALONE" MODULES THAT DO NOT HAVE 115V OR 230V AVAILABLE (EITHER SEPARATE CONTROL POWER FEED OR A NEUTRAL), ADD \$175 PER STAGE FOR A TRANSFER THAT WILL BE INCLUDED IN THE DDC BOX.			

Mobile living made easy.

LEGACY ITEM NO.	NEW ITEM #	LIST PRICE (USD)	NEW DESCRIPTION
<b>MCGX-LP TITAN 'LOW PROFILE' MODULES REVERSE CYCLE</b>			
<b>R410A REFRIGERANT, DDC CONTROL - LEGACY</b>			
260163042	9108893733	\$14,050.00	MCGXLP48 2361 SMARTSTART™
260163026	9108922671	\$15,150.00	MCGXLP60 2361 SMARTSTART™
260163003	9108893731	\$13,100.00	MCGXLP36 2363
260163007	9108886956	\$13,700.00	MCGXLP48 2363
260163012	9108886106	\$14,800.00	MCGXLP60 2363
260163016	9108915839	\$16,200.00	MCGXLP72 2363
260163013	9108918326	\$15,300.00	MCGXLP60 3853
260163017	9108893741	\$16,300.00	MCGXLP72 3853
ADDITIONAL SIZES AND VOLTAGES AVAILABLE. CALL YOUR SALES REPRESENTATIVE FOR PART NUMBER AND PRICE.			

LEGACY ITEM #	NEW ITEM #	LIST PRICE (USD)	DESCRIPTION
<b>CHILLER COMPACT (CHC) R410A UNITS AND ACCESSORIES - LEGACY</b>			
<b>CHILLER COMPACT, R410A</b>			
260114024	9108850150	\$5,815.00	CHCG24Z PVE 2361 SMARTSTART™
260114030	9108844415	\$5,600.00	CHCG24Z3 PVE 2363
NOTE: CHC24 SHOULD BE SIZED TO 100% OF THE TOTAL AIR HANDLER LOAD.			

# CRUISAIR MTC, MTD & TWC

LEGACY ITEM #	NEW ITEM #	LIST PRICE (USD)	NEW DESCRIPTION
<b>CRUISAIR AUTHORIZED DISTRIBUTORS AND DEALERS ONLY</b>			
<b>MTCGX TITAN MODULAR CHILLER UNITS, R410A, REPLACEMENTS ONLY</b>			
260161040	9108893743	\$12,550.00	MTCGX36 2361
260161070	9108917779	\$13,350.00	MTCGX48 2361
260161072	9108916598	\$14,550.00	MTCGX60 2361
260161071	9108893792	\$13,350.00	MTCGX48 2363
260161073	9108893793	\$14,550.00	MTCGX60 2363
260161038	9108886107	\$15,250.00	MTCGX72 2363
260161042	9108893797	\$20,950.00	MTCGX96 2363
260161043	9108892117	\$23,650.00	MTCGX120 2363
260161052	9108893798	\$21,150.00	MTCGX96 3853
260161051	9600003524	\$21,950.00	MTCGX96 4663
<b>MTDX TITAN MODULAR CHILLER UNITS, R410A</b>			
260161005	9108921852	\$11,250.00	MTDX30 2361
260161010	9108893799	\$11,400.00	MTDX36 2361
260161014	9108921871	\$12,000.00	MTDX48 2361
260161019	9108924082	\$13,200.00	MTDX60 2361
260161011	9600023240	\$11,950.00	MTDX36 2361 SMARTSTART™
260161036	9600001342	\$13,700.00	MTDX60 2361 SMARTSTART™
260161016	9108915836	\$12,000.00	MTDX48 2363
260161021	9108891725	\$13,200.00	MTDX60 2363
260161025	9108893805	\$14,550.00	MTDX72 2363
260161028	9108892188	\$20,200.00	MTDX96 2363
260161031	9108893807	\$22,000.00	MTDX120 2363
260161017	9108893802	\$12,150.00	MTDX48 3853
260161022	9108919018	\$13,400.00	MTDX60 3853
260161026	9108923865	\$14,750.00	MTDX72 3853
260161032	9108923488	\$22,200.00	MTDX120 3853
260161027	9600001918	\$14,550.00	MTDX72 4663
260161030	9600005211	\$20,200.00	MTDX96 4663
<i>ADDITIONAL SIZES AND VOLTAGES AVAILABLE MTD UNITS. CONTACT YOUR SALES REPRESENTATIVE PART NUMBER AND PRICE.</i>			
<b>NOTES:</b> 1) COMPRESSOR ELECTRICAL DATA ARE NOMINALLY RATED AT THE VOLT/HZ/PH LISTED, AND CAN BE OPERATED IN THE FOLLOWING RANGES:			
230/60/1 COMPRESSORS ARE RATED 208 - 230/60/1; 220/50/1 COMPS 220 - 240/50/1; 230/60/3 COMPS 208 - 230/60/3; 220/50/3 COMPS 200 - 220/50/3; 380/50/3 COMPS 380 - 420/50/3; 220/50/3 COMPS 200 - 220/50/3; 380/50/3 COMPS 380 - 420/50/3; AND 460/60/3 COMPS 440 - 480/60/3 AND 380 - 420/50/3.			
THESE COMPRESSORS CAN USUALLY BE RUN AT +/-10% OF THE RATED VOLTAGE, WITH THESE EXCEPTIONS: 208-230/60/1 -5/+10% A RANGE OF 198-253; AND 220-240/50/1 -5/+10% A RANGE OF 209-264.			
FOR MORE INFORMATION REGARDING COMPRESSOR VOLTAGES, REFER TO FIELD NOTICE FNR#192-B3-C ON THE DOMETIC CUSTOMER NEWS WEBSITE.			
2) DUAL 50/60HZ OPERATION: IF THERE IS A NEED A SYSTEM TO BE ABLE TO RUN IN BOTH 50HZ AND 60HZ ENVIRONMENTS, THE BEST SOLUTION IS TO USE A VFD. MAKE SURE THE PUMPS ARE RATED 50/60HZ, BUT SIZED TO PROVIDE ENOUGH FLOW AT 50HZ.			

Mobile living made easy.

LEGACY ITEM #	NEW ITEM #	LIST PRICE (USD)	NEW DESCRIPTION
<b>TWCX TITAN CHILLERS WITH DDC CONTROL PANEL. SWITCH OR DISPLAY &amp; CABLES SOLD SEPARATELY.</b>			
260111400	9108893809	\$9,700.00	TWCX24 2251 DDC 410A
260111405	9108893815	\$9,075.00	TWCX36 2251 DDC 410A
260111447	9108916150	\$11,800.00	TWCX60 2251 DDC 410A
260111471	9108916136	\$8,625.00	TWCX30 2361 DDC 410A
260111412	9108915840	\$9,075.00	TWCX36-SC 2361 DDC 410A
260111435	9108893817	\$10,925.00	TWCX48 2361 DDC 410A
260111485	9108916138	\$8,775.00	TWCX30 2363 DDC 410A
260111473	9108916151	\$11,900.00	TWCX60 2363 DDC 410A
260111409	9108916143	\$9,100.00	TWCX36-SC 3853 DDC 410A
260111423	9108916148	\$11,400.00	TWCX48 3853 DDC 410A
260111432	9108893824	\$12,000.00	TWCX60 3853 DDC 410A
260111422	9108893826	\$12,600.00	TWCX72 3853 DDC 410A

**TWCX CHILLERS WITH DDC CONTROL PANEL AND SMARTSTART**

260111459	9108855134	\$9,125.00	TWCX30 2361 DDC 410A SS
260111463	9108893814	\$9,525.00	TWCX36 2361 DDC 410A SS
260111443	9108916046	\$11,450.00	TWCX48 2361 DDC 410A SS
260111461	9108893812	\$9,125.00	TWCX30 2251 DDC 410A SS
260111418	9108893819	\$11,200.00	TWCX48 2251 DDC 410A SS

**ADDITIONAL VOLTAGES PLEASE CONTACT YOUR CRUISAIR APPLICATIONS REPRESENTATIVE.**

**CHILLER UNIT NOTES:**

1. ONLY TWCV24-36 CHILLERS COME WITH A REMOTE MOUNTABLE CONTROL BOX. TWCV48-72 CHILLERS WITH A REMOTE MOUNTABLE CONTROL BOX ARE AVAILABLE (ADD \$800 LIST).
2. TWC CHILLERS HAVE R-410A REFRIGERANT AS STANDARD.
3. PUMP RELAYS (X2) WILL BE NEEDED IF MULTIPLE CHILLERS ARE USED.
4. FOLLOWING PARTS MUST BE ORDERED:
  - TWLC KEYPAD/DISPLAY (ONE OR MORE)
  - A-416/## TEMP SENSOR CW SUPPLY
  - PROBE WELL TEMP SENSOR IF USING PLASTIC PIPE.

**MANIFOLD NOTES:**

1. MANIFOLDS ARE PART OF A MULTI-STAGE CHILLER SYSTEM AND ARE NOT SOLD SEPARATELY
2. CALL PRICING ON VERTICAL FRAMES AND MANIFOLDS
3. THE MANIFOLD SET INCLUDES:
  - INLET AND OUTLET CW MANIFOLDS, INSUL. COPPER
  - INLET AND OUTLET SW MANIFOLDS CPVC
  - FPT CONNECTIONS AT BOTH ENDS OF MANIFOLDS.



## AIR HANDLERS

LEGACY ITEM #	NEW ITEM #	LIST PRICE (USD)	DESCRIPTION
<b>AU AIR HANDLERS, WITH HIGH VELOCITY BLOWERS</b>			
261400061	9108786177	\$1,840.00	AU6HV 5"MR 115V
261400091	9108786246	\$1,950.00	AU9HV 6"MR 115V
261400121	9108786249	\$2,040.00	AU12HV 6"MR 115V
261400181	9108786253	\$2,250.00	AU18HV 7"MR 115V
261400241	9108786257	\$2,560.00	AU24HV 8"MR 115V
261400060	9108786176	\$1,840.00	AU6HVZ 5"MR 230V
261400090	9108786245	\$1,950.00	AU9HVZ 6"MR 230V
261400120	9108750669	\$2,040.00	AU12HVZ 6"MR 230V
261400180	9108786252	\$2,250.00	AU18HVZ 7"MR 230V
261400240	9108786256	\$2,560.00	AU24HVZ 8"MR 230V
<b>AU AIR HANDLERS, WITH HV BLOWERS AND HEATING</b>			
261400064	9108798492	\$2,190.00	AU6HVZ-1KW 5"MR 230V
261400094	9108798361	\$2,300.00	AU9HVZ-1KW 6"MR 230V
261400106	9108798365	\$2,300.00	AU9HVZ-1.5KW 6"MR 230V
261400136	9108798344	\$2,390.00	AU12HVZ-1KW 6"MR 230V
261400124	9108798287	\$2,365.00	AU12HVZ-1.5KW 6"MR 230V
261400196	9108798534	\$2,600.00	AU18HVZ-1KW 7"MR 230V
261400200	9108798538	\$2,600.00	AU18HVZ-1.5KW 7"MR 230V
261400244	9108800939	\$3,010.00	AU24HVZ-2X1.5KW 8"MR 230V
<b>AU AIR HANDLERS, WITH HV BLOWERS AND FLOW CONTROL</b>			
261400063	9108798491	\$1,930.00	AU6HV-FC 5"MR 115V
261400093	9108798360	\$2,110.00	AU9HV-FC 6"MR 115V
261400123	9108792609	\$2,200.00	AU12HV-FC 6"MR 115V
261400183	9108798531	\$2,410.00	AU18HV-FC 7"MR 115V

Mobile living made easy.

LEGACY ITEM #	NEW ITEM #	LIST PRICE (USD)	DESCRIPTION
261400243	9108800938	\$2,720.00	AU24HV -FC 8"MR 115V
261400062	9108796160	\$2,000.00	AU6HVZ-FC 5"MR 230V
261400092	9108797385	\$2,110.00	AU9HVZ-FC 6"MR 230V
261400122	9108792608	\$2,200.00	AU12HVZ-FC 6"MR 230V
261400182	9108798530	\$2,410.00	AU18HVZ-FC 7"MR 230V
261400242	9108800930	\$2,720.00	AU24HVZ-FC 8"MR 230V

**AU AIR HANDLERS, WITH HV BLOWERS, FC AND HEATING**

261400066	9108786244	\$2,350.00	AU6HVZ-FC 1.0KW 5"MR 230V
261400096	9108786248	\$2,460.00	AU9HVZ-FC 1.0KW 6"MR 230V
261400126	9108786251	\$2,550.00	AU12HVZ-FC 1.5KW 6"MR 230V
261400246	9108786259	\$3,170.00	AU24HVZ-FC 3.0KW 8"MR 230V

**AU AIR HANDLERS, WITH HV BLOWERS, AND BREATHE EASY™**

261400956	9108804539	\$2,340.00	AU6HVZ-BE 5"MR 230V
261400969	9108813711	\$2,450.00	AU9HVZ-BE 5"MR 230V
261400957	9108804541	\$2,535.00	AU12HVZ-BE 6"MR 230V
261400970	9108813699	\$2,745.00	AU18HVZ-BE 7"MR 230V
261400307	9610000643	\$3,055.00	AU24HVZ-BE 8"MR 230V

**AU AIR HANDLERS, W/HV BLOWERS, BREATHE EASY™ & HEATING**

261400801	9108805081	\$2,800.00	AU9HVZ-1KW-BE 5"MR 230V
261400802	9108805082	\$2,935.00	AU12HVZ-1.5KW-BE 6"MR 230V
261400803	9108805084	\$3,195.00	AU18HVZ-2X1.5KW-BE 7"MR 230V
261400804	9108805085	\$3,505.00	AU24HVZ-2X1.5KW-BE 8"MR 230V

**AU AIR HANDLERS, WITH DC BLOWERS**

261400069	9108798694	\$2,815.00	AU6DCZ 5"MR 230V
261400099	9108798703	\$2,905.00	AU9DCZ 6"MR 230V

## AIR HANDLERS

LEGACY ITEM #	NEW ITEM #	LIST PRICE (USD)	DESCRIPTION
261400129	9108798706	\$3,015.00	AU12DCZ 6"MR 230V
261400189	9108798660	\$3,215.00	AU18DCZ 7"MR 230V
261400249	9108800941	\$3,525.00	AU24DCZ 8"MR 230V

### AU AIR HANDLERS, WITH DC BLOWERS AND HEATING

261400071	9108798695	\$3,165.00	AU6DCZ-1KW 5"MR 230V
261400101	9108798707	\$3,255.00	AU9DCZ-1KW 6"MR 230V
261400110	9108798708	\$3,255.00	AU9DCZ-1.5KW 6"MR 230V
261400131	9108798705	\$3,365.00	AU12DCZ-1.5KW 6"MR 230V
261400191	9108798661	\$3,565.00	AU18DCZ-1.5KW 7"MR 230V
261401037	9108836140	\$3,875.00	AU24DCZ-1.5KW 8"MR 230V

### AU AIR HANDLERS, WITH DC BLOWERS AND FLOW CONTROL

261400070	9108796161	\$2,975.00	AU6DCZ-FC 5"MR 230V
261400100	9108797383	\$3,065.00	AU9DCZ-FC 6"MR 230V
261400130	9108797386	\$3,175.00	AU12DCZ-FC 6"MR 230V
261400190	9108798655	\$3,375.00	AU18DCZ-FC 7"MR 230V
261400250	9108797387	\$3,685.00	AU24DCZ-FC 8"MR 230V

### AU AIR HANDLERS, WITH DC BLOWERS, FC AND HEATING

261400072	9108798696	\$3,325.00	AU6DCZ-FC-1KW 5"MR 230V
261400102	9108797244	\$3,390.00	AU9DCZ-FC-1KW 6"MR 230V
261400132	9108798704	\$3,525.00	AU12DCZ-FC-1.5KW 6"MR 230V
261400192	9108798662	\$3,725.00	AU18DCZ-FC-1.5KW 7"MR 230V
261401036	9108836037	\$4,035.00	AU24DCZ-FC-1.5KW 8"MR 230V

Mobile living made easy.



LEGACY ITEM #	NEW ITEM #	LIST PRICE (USD)	DESCRIPTION
<b>AHU AIR HANDLERS</b>			
261402081	9600010650	\$10,380.00	AHU48DCZ-3X1.5KW(230/3) HORZ
261402070	9108894125	\$10,730.00	AHU72DCZ HORIZONTAL
261402076	9108919555	\$10,730.00	AHU72DCZ VERTICAL
261402078	9600008065	\$10,980.00	AHU72DCZ-3.0KW HORIZONTAL
261402082	9600010651	\$11,030.00	AHU72DCZ-3X2KW(230/3) HORZ

**EUROPEAN VERSION AIR HANDLERS**

LEGACY ITEM #	NEW ITEM #	LIST PRICE (USD)	DESCRIPTION
<b>AU-EU AIR HANDLERS, WITH HV BLOWERS</b>			
261402006	9108811904	\$2,010.00	AU6HVZ-EU 5"MR 230V
261402009	9108812657	\$2,120.00	AU9HVZ-EU 6"MR 230V
261402012	9108812067	\$2,210.00	AU12HVZ-EU 6"MR 230V
261402018	9108812658	\$2,420.00	AU18HVZ-EU 7"MR 230V
261402024	9108812068	\$2,730.00	AU24HVZ-EU 8"MR 230V

**AU-EU AIR HANDLERS, WITH HV BLOWERS AND HEATING**

261402007	9108841349	\$2,360.00	AU6HVZ-EU-1KW 5"MR 230V
261402010	9108834056	\$2,470.00	AU9HVZ-EU-1.5KW 6"MR 230V
261402019	9108831567	\$2,770.00	AU18HVZ-EU-1.5KW 7"MR 230V
261402025	9108831498	\$3,130.00	AU24HVZ-EU-2X1.5KW 8"MR 230V

**AU-EU AIR HANDLERS, WITH DC BLOWERS**

261402050	9108825300	\$2,985.00	AU6DCZ-EU 5"MR 230V
261402051	9108814893	\$3,075.00	AU9DCZ-EU 6"MR 230V
261402052	9108825301	\$3,185.00	AU12DCZ-EU 6"MR 230V
261402053	9108814894	\$3,385.00	AU18DCZ-EU 7"MR 230V
261402054	9108825298	\$3,695.00	AU24DCZ-EU 8"MR 230V

## AIR HANDLERS

### AU-EU AIR HANDLERS, WITH DC BLOWERS AND HEATING

261402056	9108831501	\$3,735.00	AU18DCZ-EU-1.5KW 7"MR 230V
-----------	------------	------------	----------------------------

### CONTROL BOX AU-EU HIGH VELOCITY BLOWERS

263400920	9108818211	\$750.00	CONTROL BOX AU-HV-EU I/O 20' DISPLAY CABLE
263400921	9108818212	\$845.00	CONTROL BOX AU-HV-EU Q-LOGIC
263400922	9108818213	\$280.00	CONTROL BOX AU-HV-EU SLAVE
263400943	9108918007	\$1,235.00	CONTROL BOX AU-HV-EU CANBUS W/ DEUTSCH HRNS

### CONTROL BOX AU-EU DC BLOWERS

263400923	9108831773	\$795.00	CONTROL BOX AU-DC-EU I/O 20' DISPLAY CABLE
263400924	9108834723	\$920.00	CONTROL BOX AU-DC-EU Q-LOGIC
263400925	9108834724	\$305.00	CONTROL BOX AU-DC-EU SLAVE
263400944	9108918009	\$1,325.00	CONTROL BOX AU-DC-EU CANBUS W/ DEUTSCH HRNS

NOTE: AU-XX-EU KITS ABOVE INCLUDE CIRCUIT BOARD IN BOX, 90CM CABLE HARNESS. 120CM WATER SENSOR & AIR SENSOR, 610CM DISPLAY CABLE WITH I/O KIT ONLY. NO DISPLAY OR BEZEL INCLUDED IN KITS, SEE CLIMATE CONTROLS AND ELECTRONICS SECTION.

LEGACY ITEM #	NEW ITEM #	LIST PRICE USD	DESCRIPTION
<b>AT HIGH VELOCITY AIR HANDLERS</b>			
261300007	9108551463	\$1,575.00	AT4HVZ 4"MR 230V
261300087	9108551500	\$4,280.00	AT36HVZ 8"MR 230V
261300786	9108551794	\$4,440.00	AT36HVZ-FC 8"MR 230V
261300287	9108551515	\$4,730.00	AT36HVZ-2X1.5KW 8"MR 230V
261300787	9108551795	\$4,890.00	AT36HVZ-FC-2X1.5KW 8"MR 230V
<b>"WHISPER COOL" AT-DC 36K AIR HANDLERS</b>			
261300622	9108551661	\$5,360.00	AT36DCZ-FC 8"MR 230V
261300676	9108551707	\$5,810.00	AT36DCZ-FC-2X1.5KW 8"MR 230V

Mobile living made easy.

LEGACY ITEM #	NEW ITEM #	LIST PRICE USD	DESCRIPTION
---------------	------------	----------------	-------------

### ATL DRAW-THROUGH AIR HANDLERS, WITH HV BLOWERS

261301300	9108782877	\$2,885.00	ATL6HVZ-FC 5"MR 230V
261301302	9108782879	\$3,055.00	ATL9HVZ-FC 6"MR 230V
261301315	9108783634	\$3,505.00	ATL9HVZ-FC 1.5KW 6"MR 230V
261301304	9108783239	\$3,260.00	ATL12HVZ-FC 6"MR 230V
261301242	9108782236	\$3,580.00	ATL18HVZ-FC 6"MR 230V
261301318	9108783719	\$3,655.00	ATL24HVZ-FC 8"MR 230V
261301309	9108783244	\$4,095.00	ATL24HVZ-FC 1.5KW 8"MR 230V
261301310	9108782881	\$5,840.00	ATL36HVZ-FC 8"MR 230V

### ATL DRAW-THROUGH AIR HANDLERS, WITH DC BLOWERS

261301316	9108783700	\$3,795.00	ATL9DCZ-FC 6"MR 230V
261301317	9108783716	\$4,815.00	ATL12DCZ-FC 6"MR 230V
261301951	9600025693	\$3,300.00	ATL16FZ-FC 230V, SLOPED PAN
261301338	9108792559	\$4,795.00	ATL18DCZ-FC 6"MR 230V
261301313	9108783605	\$4,700.00	ATL24DCZ-FC 8"MR 230V

NOTE: ELECTRIC HEAT IS AVAILABLE ON THE ATLS, ATVS, AND ABLs.

### ABL HORIZONTAL AIR HANDLERS

262110012	9108552121	\$4,810.00	ABL24HVZ-FC 6"MR 230V
262110001	9108552113	\$6,395.00	ABL24DCZ-FC 6"MR 230V

## AIR HANDLERS

LEGACY ITEM #	NEW ITEM #	LIST PRICE USD	DESCRIPTION
<b>ATV VERTICAL DRAW-THROUGH AIR HANDLERS, WITH HV BLOWERS</b>			
261301284	9108922478	\$2,410.00	ATV6HVZ-LP-L90 5"MR 230V
261301287	9108923044	\$2,600.00	ATV9HVZ-LP-FC-L180 6"MR 230V
261301280	9108915095	\$2,890.00	ATV12HVZ-LP-L90-1KW 6"MR 230V
261300542	9108681856	\$3,345.00	ATV18HVZ-LP-L90 7"MR 230V
261301528	9108852751	\$3,695.00	ATV18HVZ-LP-1.5KW L90 7"MR 230
261301034	9108688796	\$3,855.00	ATV18HVZ-LP-FC-L90 2X1.0KW 7MR
261300572	9108682812	\$3,860.00	ATV24HVZ-LP L90 8"MR 230V
261301288	9600000795	\$4,020.00	ATV24HVZ-LP-FC L90 8"MR 230V
261401974	9600005948	\$4,210.00	ATV24HVZ-LP-1KW R90 8"MR 230V

<b>ATV VERTICAL DRAW-THROUGH AIR HANDLERS, WITH DC BLOWERS</b>			
261301589	9600004951	\$3,460.00	ATV6DCZ-LP L90 5"MR 230V
261301383	9108797311	\$3,810.00	ATV6DCZ-LP-1KW L90 5"MR 230V
261301199	9108778030	\$3,650.00	ATV9DCZ-LP-FC L90 6"MR 230V
261401184	9108918849	\$3,750.00	ATV12DCZ-LP-FC L90 6"MR 230V
261300550	9108551631	\$4,120.00	ATV18DCZ-LP-FC-L90 7"MR 230V
261301149	9108731361	\$4,570.00	ATV18DCZ-LP-FC-R90 2X1KW 230V
261301498	9108841153	\$4,860.00	ATV24DCZ-LP-L90 8"MR 230V

<b>FRESH AIR MAKEUP AIR HANDLERS WITH DC BLOWERS AND PULSE HEAT CONTROL</b>			
261400218	9108845189	\$5,560.00	AU18DCZ-FC-2X1KW-MU 6"MR 230
261401097	9108845289	\$5,665.00	AU24DCZ-FC-2X1KW-MU 8"MR 230V
261300664	9108551695	\$7,205.00	AT36DCZ-FC-2X1.5KW-MU 8"MR 230V

NOTE: ABOVE FRESH AIR MAKE-UP UNITS INCLUDE PULSE HEAT CONTROL AND WATER VALVE.

Mobile living made easy.

LEGACY ITEM #	NEW ITEM #	LIST PRICE USD	DESCRIPTION
<b>DOMETIC AIRHANDLER CONTROL PACKAGE</b>			
263400938	9108893730	\$495.00	DAHIC CONTROL KIT 115/230 HV-INCLUDES CONTROL BOX WITH U-BOARD, 7' WATER SENSOR AND 10' AIR SENSOR.
263400951	9600013877	\$670.00	DAHIC CONTROL KIT 115/230 HV - INCLUDES CONTROL BOX WITH U-BOARD, 7' WATER SENSOR, 15'TEMP SENSOR (RELATIVE HUMIDITY)
263400937	9108893729	\$850.00	DAHIC/CANBUS KIT 115/230 HV-INCLUDES CONTROL BOX WITH U-BOARD, 7' WATER SENSOR, 10' AIR SENSOR AND CANBUS ADAPTER.
263400941	9108920127	\$720.00	DAHIC CONTROL KIT 115/230 HV - COS INCLUDES CONTROL BOX WITH U-BOARD, 7' WATER SENSOR, 10' AIR SENSOR
263400940	9108916654	\$495.00	DAHIC CONTROL KIT 115/230 DC-INCLUDES CONTROL BOX WITH U-BOARD, 7' WATER SENSOR AND 10' AIR SENSOR.
263400939	9108919876	\$850.00	DAHIC/CANBUS KIT 115/230 DC-INCLUDES CONTROL BOX WITH U-BOARD, 7' WATER SENSOR, 10' AIR SENSOR AND CANBUS ADAPTER.
<i>NOTE: DISPLAY AND DISPLAY CABLE SOLD SEPARATELY.</i>			

## CLIMATE CONTROLS & ELECTRONICS

LEGACY ITEM #	NEW ITEM #	LIST PRICE (USD)	DESCRIPTION
<b>CAP TOUCH &amp; SMART TOUCH DX CONTROL</b>			
222000255	9600025804	\$245.00	DISPLAY CAP TOUCH IDEA CANBUS
222000256	9600025911	\$275.00	DISPPLAY CAP TOUCH EIKON CANBUS
222000253	9600016924	\$395.00	DISPLAY CAP TOUCH EIKON WITH WIFI
222000252	9600016923	\$375.00	DISPLAY CAP TOUCH IDEA WITH WIFI
222200404	9600003187	\$325.00	DISPLAY SMART TOUCH EIKON

<b>PASSPORT I/O DISPLAY</b>			
222000245	9600005997	\$245.00	DISPLAY ONLY DOMETIC I/O BLACK WITH BEZEL
222000246	9600006027	\$240.00	DISPLAY W/BEZEL COMPACT PASSPORT I/O WHITE

<b>MECHANICAL CONTROLS</b>			
222000600	9600009283	\$715.00	MCPS-3 KNOB 115V
222000601	9600009285	\$665.00	MCPS-3 KNOB 230V
222000650	9600009463	\$710.00	MCPR-3 KNOB 115V
222000651	9600009465	\$710.00	MCPR-3 KNOB 230V
222000625	9600009451	\$495.00	MCP-2 KNOB 115V FAN
222000626	9600009452	\$495.00	MCP-2 KNOB 230V FAN
222000627	9600009453	\$500.00	MCPS-2 KNOB 115/230 TEMP CONTROL
222000615	9600009449	\$295.00	MCP-1 KNOB 115V FAN
222000616	9600009448	\$295.00	MCP-1 KNOB 230V FAN
222000617	9600021671	\$500.00	MCP-1 KNOB 100-240V DEFROSTER/FAN

Mobile living made easy.

LEGACY ITEM #	NEW ITEM #	LIST PRICE (USD)	DESCRIPTION
<b>PROGRAMMED LOGIC CONTROL</b>			
263150141	263150141	\$350.00	PLDPRO SMALL PLC DISPLAY DOMETI C
263150144	9600003075	\$605.00	PGD1 BLK REMOTE PLC DISPLAY DOMETIC
263150145	9600003190	\$605.00	PGD1 WHT REMOTE PLC DISPLAY DOMETIC
290337995	4471000203	\$85.00	SPLITTER MULTIPLE DISPLAYS

<b>SMART TOUCH CHILLED WATER CONTROL</b>			
263150137	9108849425	\$2,150.00	PGD TOUCH SCREEN 7" FLUSH CHILLER
263150138	9108852332	\$2,150.00	PGD TOUCH SCREEN 7" FLUSH VARC
263150140	9108853078	\$2,150.00	PGD TOUCH SCREEN 7" FLUSH STIIC

<b>ESKIMO ICE DISPLAY</b>			
252000150	9600000948	\$200.00	DISPLAY ONLY DOMETIC DIGITAL ESKIMO ICE

<b>BEZELS</b>			
337173	9108841754	\$110.00	BEZEL BRIGHT VARNISHED METAL EIKON MATTE ANTHRACIE
336562	9108824444	\$29.00	BEZEL POLY EIKON GRAPHITE GRAY
335441	9108557529	\$21.00	BEZEL POLY BLACK ELITE & Q CONTROL
335442	9108557530	\$21.00	BEZEL POLY IDEA WHITE ELITE & Q CONTROL
335443	9108557531	\$21.00	BEZEL POLY GRAPHITE GRAY ELITE & Q CONTROL
335444	9108557532	\$80.00	BEZEL METAL BLACK CHROME
4220012	9108559311	\$90.00	BEZEL METAL POLISHED CHROME RONDO 3M
335448	9108557536	\$75.00	BEZEL METAL IVORY
335512	9108557540	\$21.00	BEZEL POLY CLASSICA GRAPHITE GRAY

## CLIMATE CONTROLS & ELECTRONICS

LEGACY ITEM #	NEW ITEM #	LIST PRICE (USD)	DESCRIPTION
<b>CRUISAIR Q LOGIC DISPLAYS</b>			
222000239	9600000944	\$215.00	DISPLAY Q3 MARINE DX BLACK 2
222000254	9600017476	\$205.00	DISPLAY Q3 MARINE TW BLACK 2
722200200	9108562122	\$250.00	DISPLAY QHT MARINE DX & TW GRAY
722200201	9108747261	\$285.00	DISPLAY QHT EIKON DX & TW GRAY

<b>CRUISAIR SMX DISPLAYS</b>			
222000247	9600006026	\$310.00	DISPLAY SMXIR 3/4 DOOR DX BLACK 2
SMXIR-REM	9108532973	\$105.00	CONTROL REMOTE SMXIR DX
SMXIRW-T	9108532981	\$315.00	DISPLAY SMXIR 3/4 DOOR TW WHITE *
SMXIIAB	9108532972	\$290.00	DISPLAY SMXII DX BLACK
SMXIIBB	SMXIIBB	\$285.00	DISPLAY SMXII TW BLACK
<i>NOTE: * ONLY AVAILABLE WHILE SUPPLIES LAST</i>			
5101401	5101401	\$60.00	PXB, SMX II KEYPAD PLATE, SNAP-ON, BLACK
5101501	5101501	\$60.00	PXW, SMX II KEYPAD PLATE, SNAP-ON, WHITE
5103400	5103400	\$110.00	FULL DOOR SMXIR DISPLAY- BLACK
5103400W	5103400W	\$110.00	FULL DOOR SMXIR DISPLAY- WHITE
5103300	5103300	\$28.00	3/4 DOOR SMXIR DISPLAY- BLACK
5103300W	5103300W	\$28.00	3/4 DOOR SMXIR DISPLAY- WHITE
5103200	5103200	\$29.00	MOUNTING PLATE SMXIR, BLACK

<b>CRUISAIR TWLC DISPLAY</b>			
335504	9108557538	\$700.00	DISPLAY TWLC LCD

Mobile living made easy.



## CLIMATE CONTROLS & ELECTRONICS

LEGACY ITEM #	NEW ITEM #	LIST PRICE (USD)	DESCRIPTION
<b>CRUISAIR RETROFIT KITS</b>			
298001896	298001896	\$390.00	RETRO Q-LOGIC > U-CONTROL DX BOARD
705600010	705600010	\$495.00	RETRO 3 KNOB > SMXII/Q-LOGIC > U-BOARD
705600011	705600011	\$590.00	RETRO SMXII P/L ONLINE > NET-U

<b>CRUISAIR AUTHORIZED DISTRIBUTORS &amp; DEALERS ONLY</b>			
LEGACY ITEM #	NEW ITEM #	LIST PRICE (USD)	DESCRIPTION
<b>CONTROL AND NETWORK CABLES AND SENSORS</b>			
<b>CXP CABLES</b>			
CXP10	9108516157	\$30.00	KEYPAD TO BOX CABLE, RJ12, 10 FEET
CXP15	9108516158	\$36.00	KEYPAD TO BOX CABLE, RJ12, 15 FEET
CXP20	9108516160	\$42.00	KEYPAD TO BOX CABLE, RJ12, 20 FEET
CXP30	9108516161	\$65.00	KEYPAD TO BOX CABLE, RJ12, 30 FEET
CXP40	9108516162	\$90.00	KEYPAD TO BOX CABLE, RJ12, 40 FEET
CXP60	9108516164	\$110.00	KEYPAD TO BOX CABLE, RJ12, 60 FEET
CXP80	9108516165	\$130.00	KEYPAD TO BOX CABLE, RJ12, 80 FEET
722000001	9108919301	\$180.00	KEYPAD TO BOX CABLE, RJ12, 100 FT
<b>ADAPTERS, ETC.</b>			
290000115	290000115	\$30.00	ADAPTER CABLE RJ-12 TO TS
290000088	290000088	\$20.00	MODULAR COUPLING, TSEP, CXP, CNP
763100043	763100043	\$100.00	A-913, ADAPTER, RJ12 SOCKET (CXP) TO 4-PIN MALE PLUG (SMXIIAB, A-281C, OLD NET)
763100044	763100044	\$100.00	A-914, ADAPTER, RJ11 SOCKET (TSEP) TO 3-PIN MALE PLUG (A-281C, OLD NET)
222103190	9108891797	\$24.00	ADAPTER SENSOR U-CONTROL WTR/OAS

## CLIMATE CONTROLS & ELECTRONICS

CRUISAIR AUTHORIZED DISTRIBUTORS & DEALERS ONLY			
LEGACY ITEM #	NEW ITEM #	LIST PRICE (USD)	DESCRIPTION
<b>TEMPERATURE/HUMIDITY SENSORS</b>			
334498	334498	\$43.00	TSEP5, TEMPERATURE SENSOR, RJ11, 5 FEET
TSEP10	9108533058	\$47.00	TEMPERATURE SENSOR, RJ11, 10 FEET
TSEP15	9108533059	\$60.00	TEMPERATURE SENSOR, RJ11, 15 FEET
TSEP20	TSEP20	\$70.00	TEMPERATURE SENSOR, RJ11, 20 FEET
TSEP30	9108533062	\$85.00	TEMPERATURE SENSOR, RJ11, 30 FEET
TSEP40	9108533063	\$95.00	TEMPERATURE SENSOR, RJ11, 40 FEET
TSEP60	9108533065	\$110.00	TEMPERATURE SENSOR, RJ11, 60 FEET
TSEP80	9108533066	\$120.00	TEMPERATURE SENSOR, RJ11, 80 FEET
722400008	722400008	\$215.00	TEMPERATURE SENSOR/RELATIVE HUMIDITY Q-LOGIC 15FT
722400013	722400013	\$300.00	TEMPERATURE SENSOR/RELATIVE HUMIDITY Q-LOGIC 35FT
297000049	297000049	\$200.00	TEMPERATURE SENSOR WELL, 1"NPT PLUG, COPPER
222102408	9600025665	\$60.00	WATER TEMPERATURE SENSOR, Q-LOGIC 5 FEET
222102409	9600025666	\$85.00	WATER TEMPERATURE SENSOR, Q-LOGIC 10 FEET
222102410	9600025667	\$115.00	WATER TEMPERATURE SENSOR, Q-LOGIC 30 FEET

Mobile living made easy.

## MARINE AIR AUTHORIZED DISTRIBUTORS ONLY

LEGACY ITEM #	NEW ITEM #	LIST PRICE (USD)	DESCRIPTION
---------------	------------	------------------	-------------

## MARINE AIR ELITE DISPLAYS

222000242	9600003147	\$255.00	DISPLAY ONLY ELITE II GRAY 2 DX & CW
222000243	9600003151	\$255.00	DISPLAY ONLY ELITE II WHITE DX & CW
222000244	9600003152	\$285.00	DISPLAY ONLY ELITE II EIKON GRAY DX & CW

## MARINE AIR CHILLED WATER CONTROLS

263120361	9600002054	\$660.00	DISPLAY CWMC BLACK
-----------	------------	----------	--------------------

## DIGITAL UPGRADE RETROFIT KITS

## SELF-CONTAINED 3-KNOB UPGRADE TO ELITE OR PASSPORT I/O

222108002	4471000643	\$48.00	RETRO PLATE 3 KNOB TO PASSPORT I/O, BLACK (INCLUDED IN KIT)
223100267	223100267	\$820.00	RETROFIT KIT, SELF-CONTAINED ELITE GRAY VERTICAL

NOTE: INCLUDES I/O CONTROL INSIDE ELEC. BOX, HARNESS, DISPLAY, RETROFIT PLATE, BLACK POLY BEZEL (WITH ELITE ONLY), 15' DISPLAY CABLE, 7' AIR SENSOR, MANUAL, AND QUICK REFERENCE CARD.

## CENTRAL SYSTEM 3-KNOB UPGRADE TO ELITE OR PASSPORT I/O

223100212	223100212	\$845.00	RETROFIT KIT, CENTRAL SYSTEM PASSPORT I/O, BLACK
-----------	-----------	----------	--

NOTE: INCLUDES I/O CONTROL INSIDE ELEC. BOX, HARNESS, DISPLAY, RETROFIT PLATE, BLACK POLY BEZEL (WITH ELITE ONLY), 30' DISPLAY CABLE, 7' AIR SENSOR, MANUAL, AND QUICK REFERENCE CARD.

## CLIMATE CONTROLS & ELECTRONICS

### MARINE AIR AUTHORIZED DISTRIBUTORS ONLY

LEGACY ITEM #	NEW ITEM #	LIST PRICE (USD)	DESCRIPTION
<b>ECU MAXX DISPLAY RETROFIT PLATE TO ELITE OR PASSPORT I/O</b>			
222108005	4471000652	\$115.00	RETROFIT PLATE, ECU MAXX TO PASSPORT I/O BLACK
222108003	4471000650	\$105.00	RETROFIT PLATE, ECU MAXX TO ELITE BLACK HORIZONTAL
223100420	223100420	\$730.00	RETROFIT KIT ECU MAXX TO PASSPORT ELITE BLACK BEZEL
223100422	223100422	\$745.00	RETROFIT KIT ECU MAXX TO PASSPORT I/O BLACK BEZEL
223100423	223100423	\$720.00	RETROFIT KIT ECU MAXX TO PASSPORT I/O WHITE BEZEL
<i>NOTE: INCLUDES DISPLAY RETROFIT PLATE ONLY.</i>			

### ECU UPGRADE TO ELITE OR PASSPORT I/O

223100222	223100222	\$735.00	RETROFIT KIT, ECU TO PASSPORT I/O - BLACK
223100223	223100223	\$720.00	RETROFIT KIT, ECU TO PASSPORT I/O - WHITE
<i>NOTE: INCLUDES I/O CONTROL, PP I/O MODULE RETROFIT PLATE, DISPLAY, 15' DISPLAY CABLE, 7' AIR SENSOR, MANUAL, AND QUICK REFERENCE CARD. (ELITE INCLUDES DISPLAY RETROFIT PLATE AND BLACK POLY BEZEL.)</i>			

### PASSPORT UPGRADE TO ELITE OR PASSPORT I/O

223100232	223100232	\$720.00	RETROFIT KIT, PASSPORT TO PASSPORT I/O - BLACK
223100233	223100233	\$720.00	RETROFIT KIT, PASSPORT TO PASSPORT I/O - WHITE
<i>NOTE: INCLUDES I/O CONTROL, PP I/O MODULE RETROFIT PLATE, DISPLAY, MANUAL, &amp; QUICK REFERENCE CARD. (ELITE INCLUDES DISPLAY RETROFIT PLATE AND BLACK POLY BEZEL.)</i>			

Mobile living made easy.

## MARINE AIR AUTHORIZED DISTRIBUTORS ONLY

LEGACY ITEM #	NEW ITEM #	LIST PRICE (USD)	DESCRIPTION
---------------	------------	------------------	-------------

**PASSPORT II UPGRADE TO ELITE OR PASSPORT I/O**

223100224	223100224	\$745.00	RETROFIT KIT, PASSPORT II TO ELITE - GRAY
223100226	223100226	\$695.00	RETROFIT KIT, PASSPORT II TO PASSPORT I/O BLACK
223100227	223100227	\$720.00	RETROFIT KIT, PASSPORT II TO PASSPORT I/O WHITE

NOTE: INCLUDES I/O CONTROL, DISPLAY, MANUAL, & QUICK REFERENCE CARD. (ELITE INCLUDES DISPLAY RETROFIT PLATE AND BLACK POLY BEZEL).

**ELITE RETROFIT COVER PLATES**

293600423	293600423	\$115.00	RETROFIT PLATE, MCP 3-KNOB TO ELITE VERTICAL, WHITE
222108004	4471000651	\$115.00	RETROFIT PLATE, MCP 3-KNOB TO ELITE HORIZONTAL, BLACK
298002006	9610000045	\$115.00	RETROFIT PLATE, MCP 3-KNOB TO ELITE VERTICAL, BLACK
222108006	4471000654	\$115.00	RETROFIT PLATE, PASSPORT II TO ELITE HORIZONTAL OR VERTICAL, BLACK

**DISPLAY & SENSOR CABLES**

## DISPLAY CABLE OPTIONS - DCU / CMCD / CSD

331925	9108712874	\$26.00	10' DISPLAY CABLE, 8-PIN
222103000	9108549652	\$38.00	15' DISPLAY CABLE, 8-PIN
222103005	9108549655	\$95.00	20' DISPLAY CABLE, 8-PIN
222103020	9108549657	\$100.00	30' DISPLAY CABLE, 8-PIN
222103060	9108549659	\$125.00	40' DISPLAY CABLE, 8-PIN
222103100	9108549661	\$145.00	50' DISPLAY CABLE, 8-PIN
222103115	9108549662	\$150.00	60' DISPLAY CABLE, 8-PIN

**WATER SENSORS**

334024	334024	\$45.00	2' WATER SENSOR
331218	331218	\$49.00	7' WATER SENSOR

## CLIMATE CONTROLS & ELECTRONICS

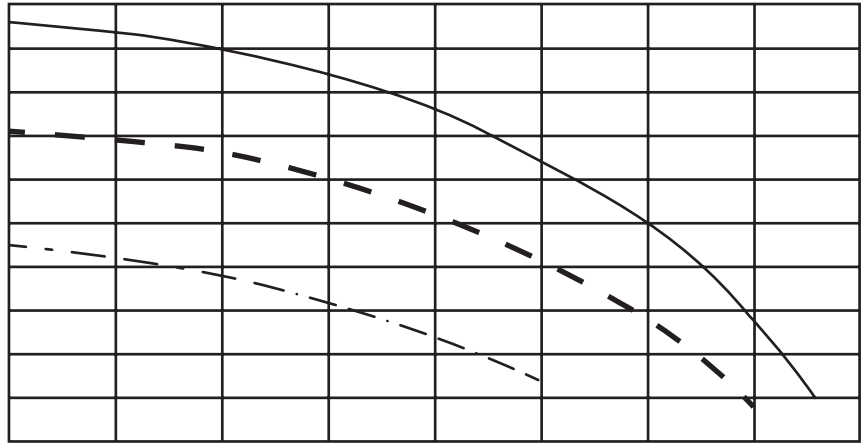
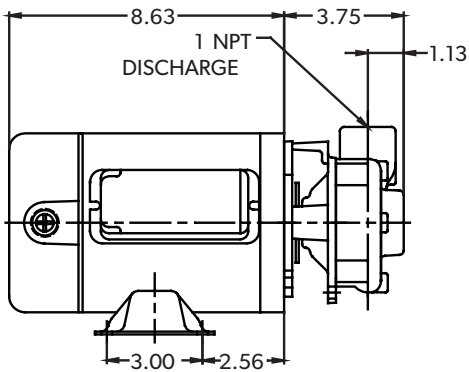
MARINE AIR AUTHORIZED DISTRIBUTORS ONLY			
LEGACY ITEM #	NEW ITEM #	LIST PRICE (USD)	DESCRIPTION
331438	331438	\$75.00	10' WATER SENSOR
331801	331801	\$80.00	15' WATER SENSOR
333973	333973	\$90.00	20' WATER SENSOR
332620	332620	\$105.00	30' WATER SENSOR
333856	333856	\$115.00	40' WATER SENSOR
334963	334963	\$135.00	50' WATER SENSOR

ALTERNATE AIR SENSOR OPTION - DTU / ECD / DCU / CMCD / CSD			
290335887	4471000154	\$12.00	PLASTIC CLIP TO HOLD 7' ALT AIR SENSORS ABOVE
222102307	9108549630	\$50.00	7' CABLE WITH ALTERNATE AIR SENSOR ATTACHED & CLIP, 6-PIN
222102308	9108549631	\$90.00	15' CABLE WITH ALTERNATE AIR SENSOR ATTACHED & CLIP, 6-PIN
265100190	9108552376	\$115.00	30' CABLE WITH ALTERNATE AIR SENSOR ATTACHED & CLIP, 6-PIN
222102312	9108549635	\$135.00	40' CABLE WITH ALTERNATE AIR SENSOR ATTACHED & CLIP, 6-PIN
222102311	9108549634	\$285.00	75' CABLE WITH ALTERNATE AIR SENSOR ATTACHED & CLIP, 6-PIN
<b>IMPORTANT: REMOTE AIR SENSOR CARD MUST BE PURCHASED WITH ALL AIR SENSOR CABLES LISTED BELOW.</b>			
1. USE WHEN A RETURN AIR TEMPERATURE SENSING LOCATION OTHER THAN IN DISPLAY IS NEEDED.			
2. THE AIR SENSOR IS USUALLY MOUNTED IN THE RETURN AIR STREAM. CLIPS ARE INCLUDED AS SHOWN BELOW.			
3. DO NOT MOUNT ON THE DRAIN PAN, AS THE COLD CONDENSATE WATER CAN LEAD TO FALSE TEMPERATURE READINGS.			
222108009	222108009	\$120.00	REMOTE AIR SENSOR CARD, 6-PIN
222102310	9108549633	\$90.00	10' ALTERNATE AIR SENSOR CABLE AIR SENSOR CARD, 6-PIN
222102320	9108549637	\$100.00	20' ALTERNATE AIR SENSOR CABLE AIR SENSOR CARD, 6-PIN
222102330	9108549639	\$110.00	30' ALTERNATE AIR SENSOR CABLE AIR SENSOR CARD, 6-PIN
222102340	9108549641	\$120.00	40' ALTERNATE AIR SENSOR CABLE AIR SENSOR CARD, 6-PIN
222102365	9108549645	\$160.00	65' ALTERNATE AIR SENSOR CABLE AIR SENSOR CARD, 6-PIN

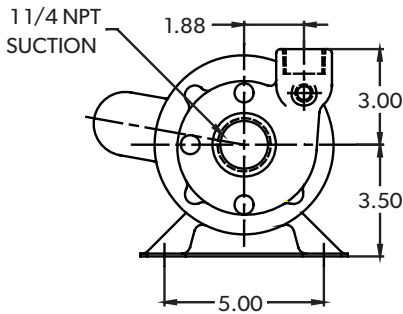
Mobile living made easy.

**P035S CENTRIFUGAL PUMP**

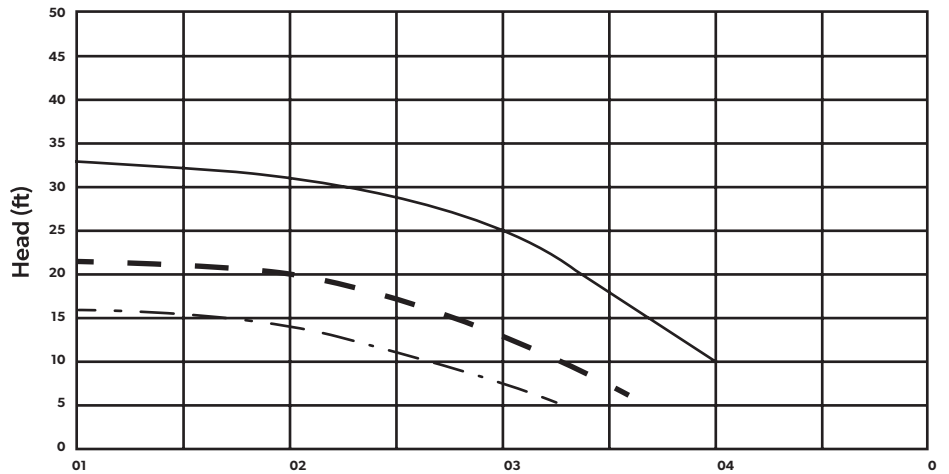
**P035 60Hz Pump Curves**



----- P035S (Scot 68) 2.5"    - - - - P035S (Scot 68) 3"    \_\_\_\_\_ P035S (Scot 68) 3.5"



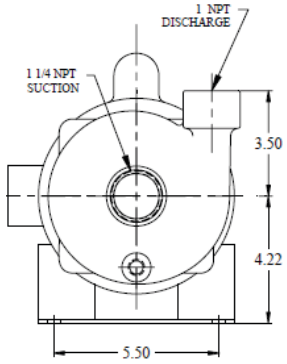
**P035 50Hz Pump Curves**



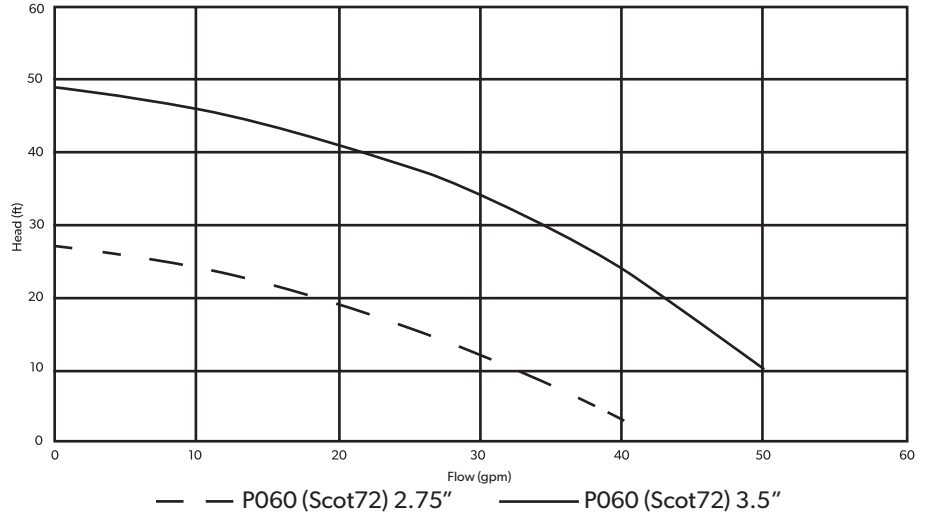
----- P035S (Scot 68) 2.5"    - - - - P035S (Scot 68) 3"    \_\_\_\_\_ P035S (Scot 68) 3.5"

# PUMP CURVE CHARTS

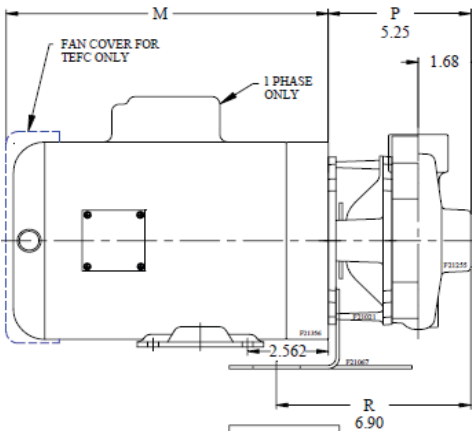
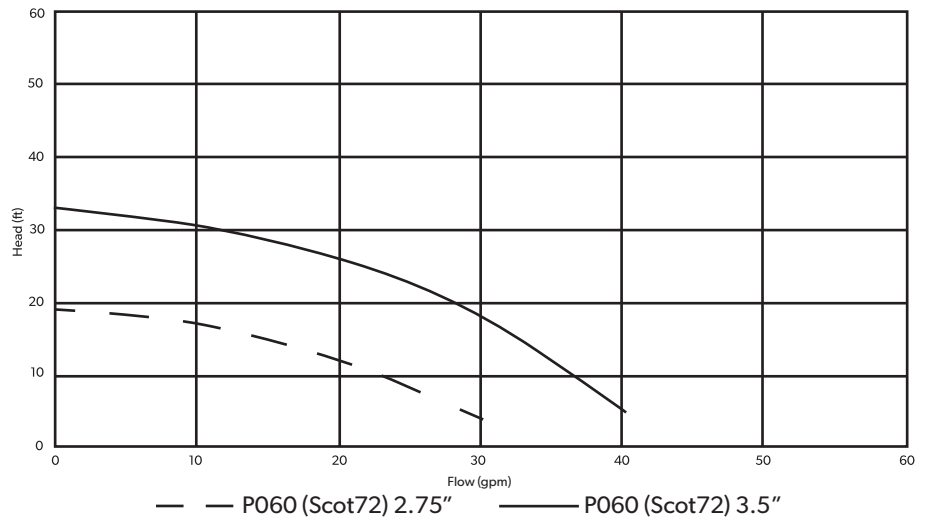
## P060S CENTRIFUGAL PUMP



**P060 60Hz Pump Curves**



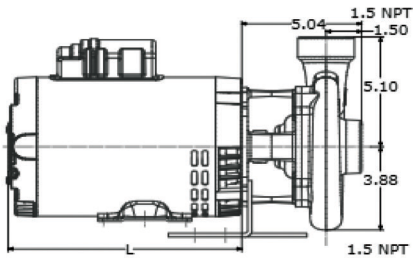
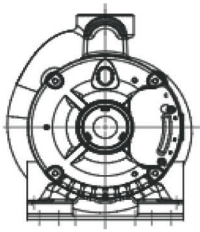
**P060 50Hz Pump Curves**



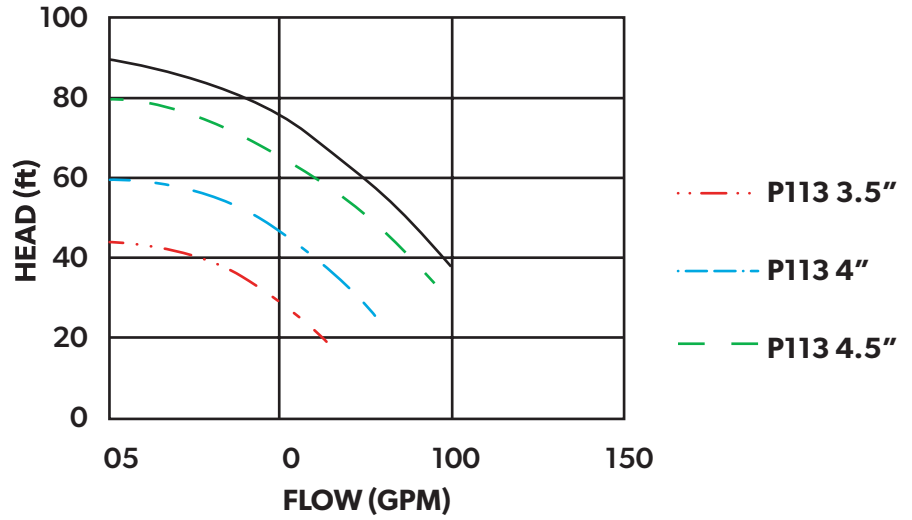
Mobile living made easy.



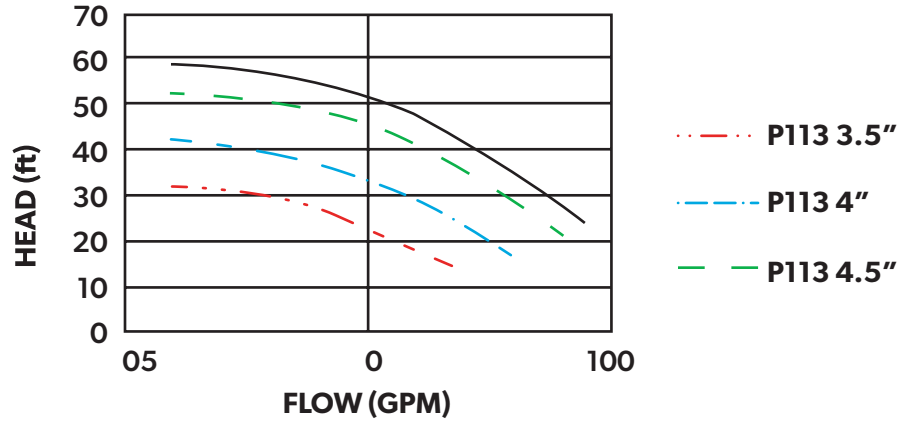
**P113S CENTRIFUGAL PUMP**



**P113 - 60Hz**

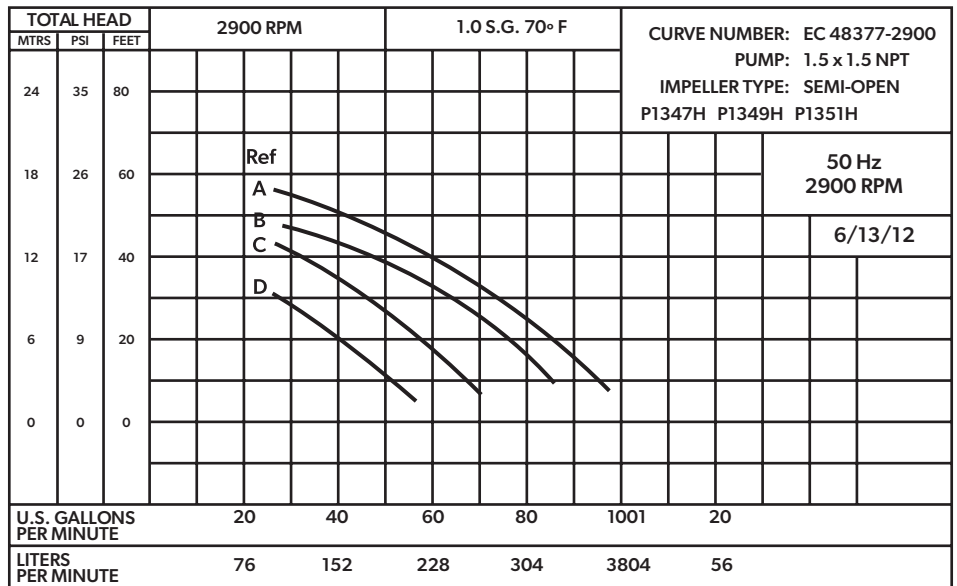
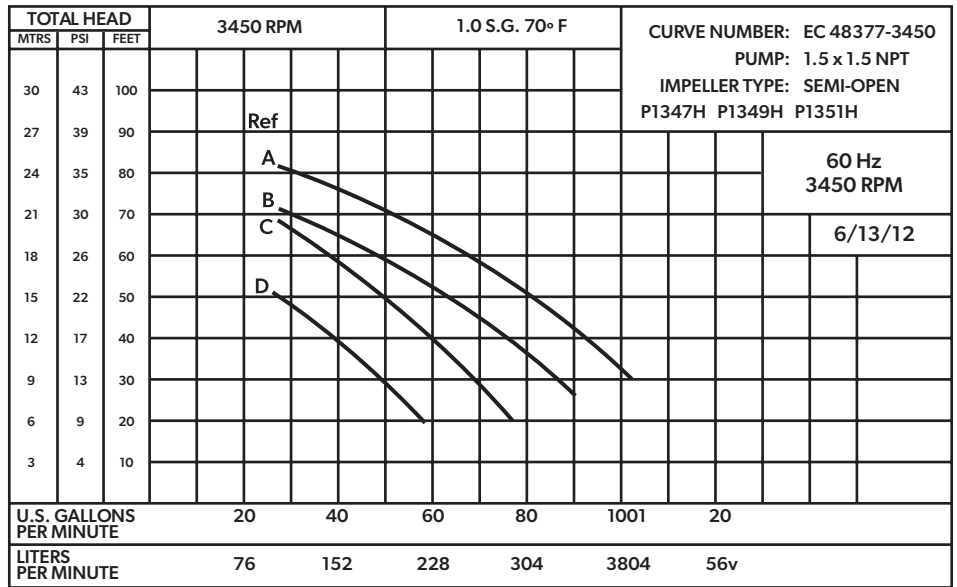
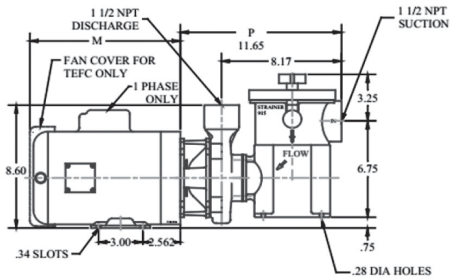
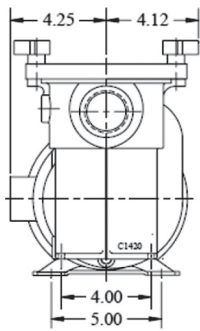


**P113 - 50Hz**



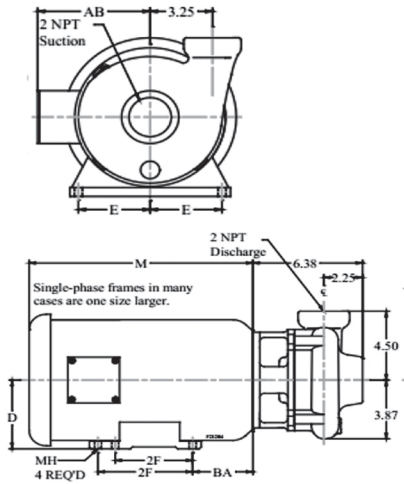
# PUMP CURVE CHARTS

## P102R BRONZE CENTRIFUGAL PUMP WITH BASKET STRAINER

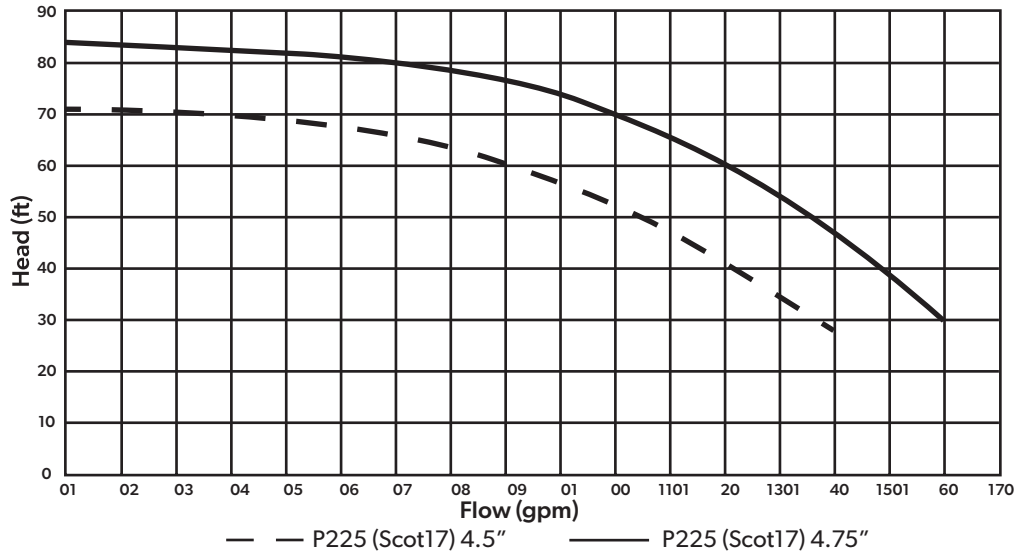


Mobile living made easy.

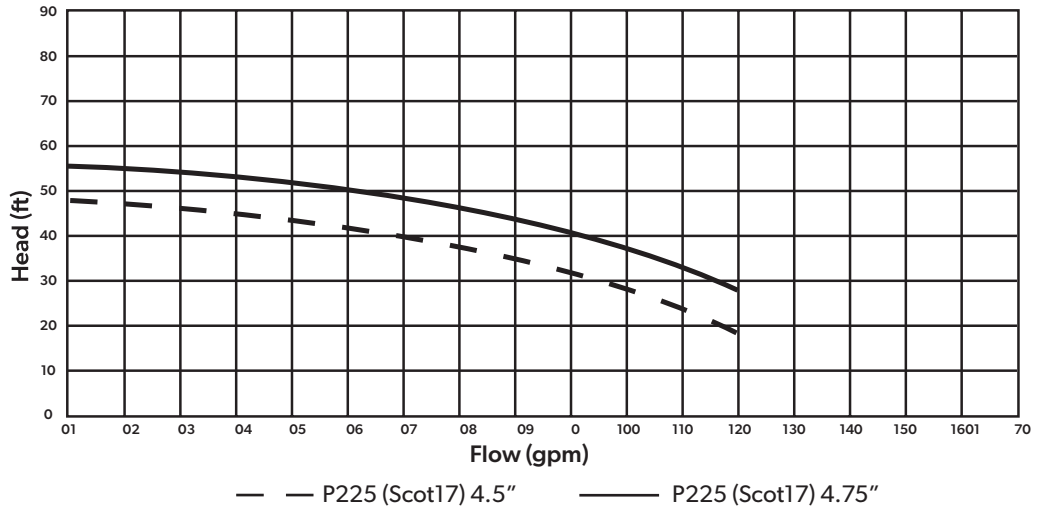
**P225S CENTRIFUGAL PUMP**



**P225 60Hz Pump Curves**

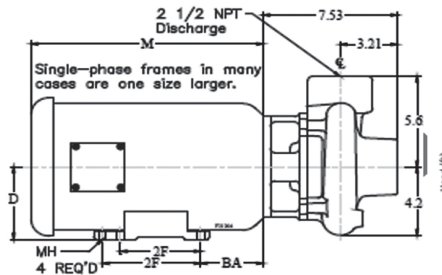
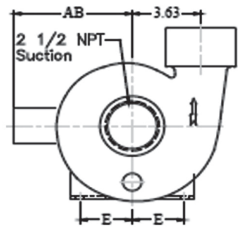


**P225 50Hz Pump Curves**

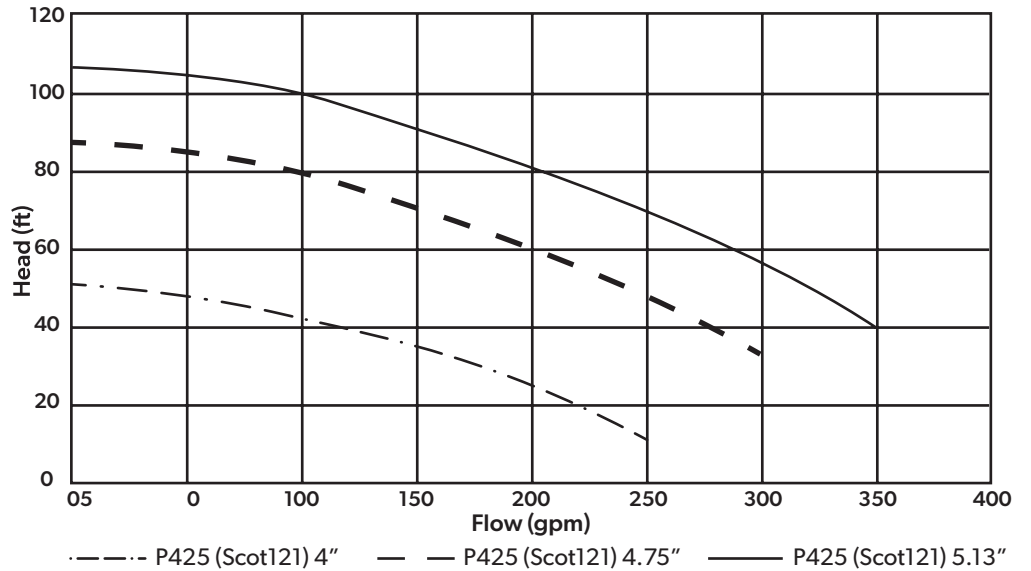


# PUMP CURVE CHARTS

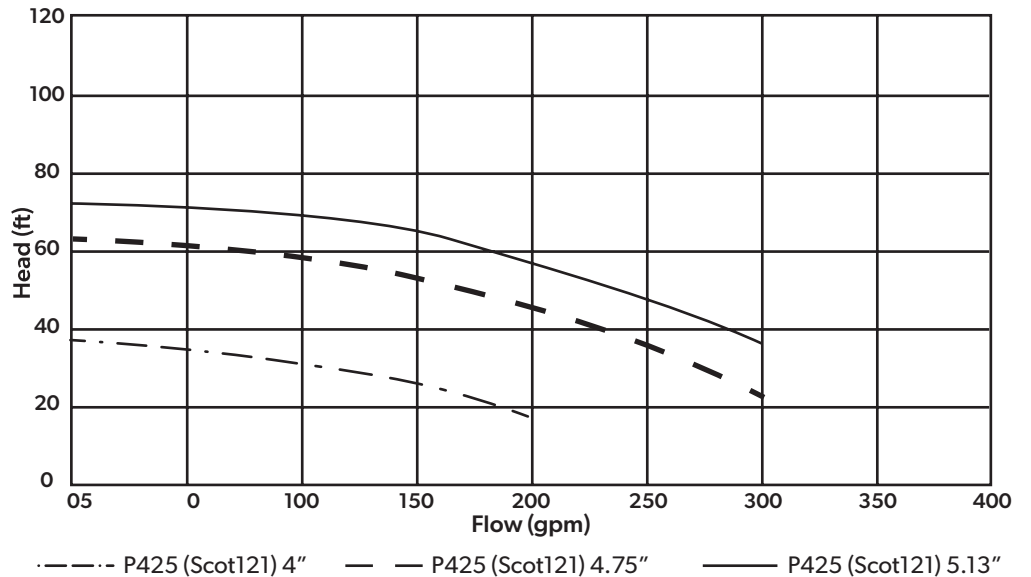
## P425S CENTRIFUGAL PUMP



### P425 60Hz Pump Curves

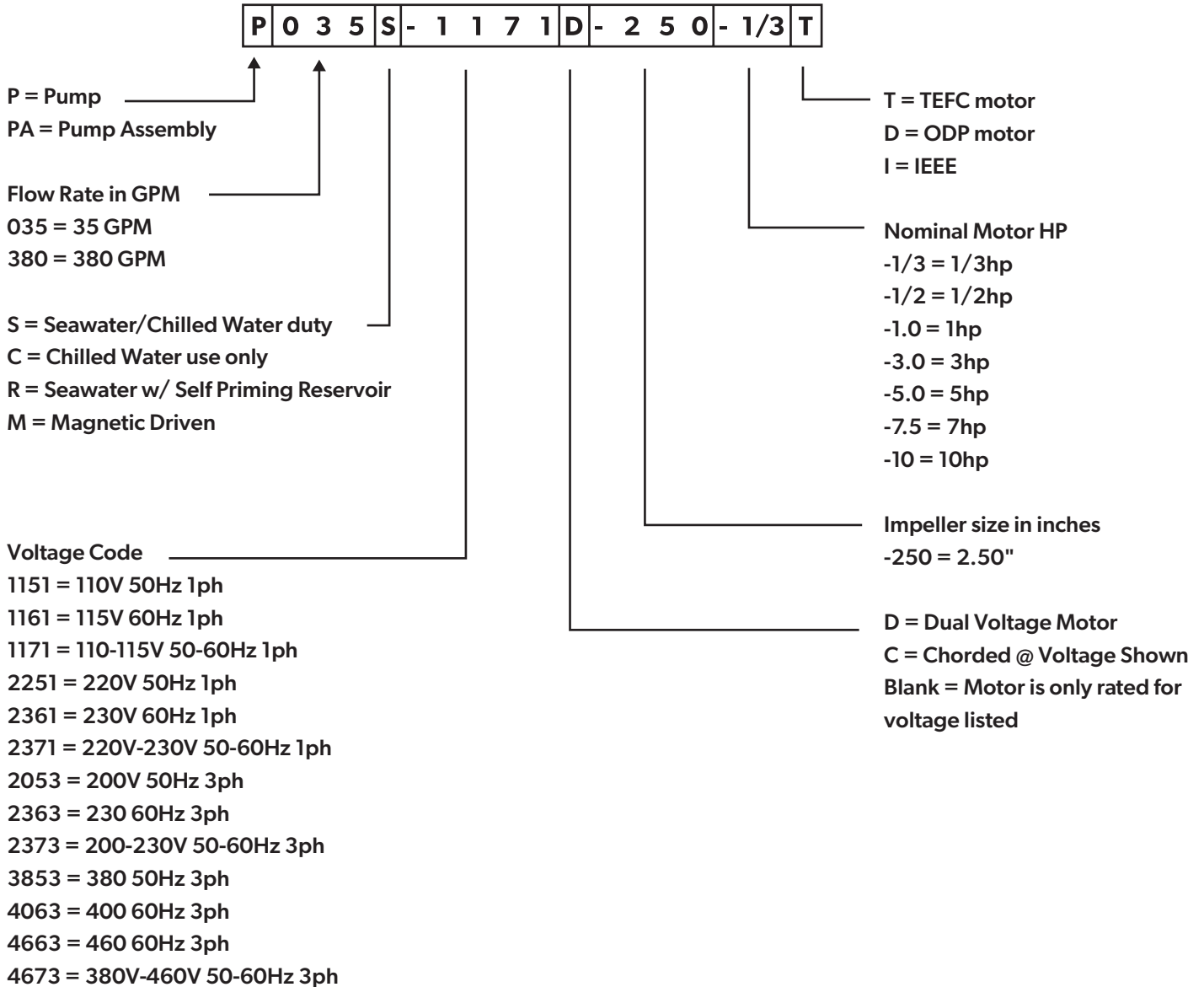


### P425 50Hz Pump Curves



Mobile living made easy.

**PUMP NOMENCLATURE**



## CENTRIFUGAL PUMPS

ITEM NO.	NEW ITEM #	LIST PRICE (USD)	DESCRIPTION
<b>P035S PUMPS</b>			
225480049	9600026164	\$1,475.00	PUMP, P035S-1171C-250-1/3T
225480050	9600026165	\$1,475.00	PUMP, P035S-2371C-250-1/3T
225480051	9600026166	\$1,475.00	PUMP, P035S-2371C-300-1/3T
225480052	9600026167	\$1,475.00	PUMP, P035S-2371C-350-1/3T
<b>SEAL KIT &amp; IMPELLER</b>			
333990	333990	\$110.00	PUMP SEAL KIT P035
333992	333992	\$250.00	IMPELR PUMP 2.5" P035
333997	333997	\$250.00	IMPELR PUMP 3.0" P035
333995	333995	\$250.00	IMPELR PUMP 3.5" P035

ITEM NO.	SKU	LIST PRICE (USD)	DESCRIPTION
<b>P060S PUMPS</b>			
225480039	9600026134	\$2,040.00	PUMP P060S-1171D-350-1/2T
225480032	9600026126	\$2,205.00	PUMP P060S-2373D-275-1/2T
225480043	9600026138	\$2,310.00	PUMP P060S-2373D-350-1/2T
<b>SEAL KIT &amp; IMPELLER</b>			
337428	337428	\$280.00	PUMP SEAL KIT
TBD	TBD	CALL FOR PRICE	IMPELR PUMP 2.75" P060S
340634	340634	\$470.00	IMPELR PUMP 3.5" P060S

Mobile living made easy.

## CENTRIFUGAL PUMPS

ITEM NO.	NEW ITEM #	LIST PRICE (USD)	DESCRIPTION
<b>P113S PUMPS</b>			
225480055	9610001244	\$2,145.00	PUMP P113S-1171D-350-1/2T
225480056	9610001245	\$2,470.00	PUMP P113S-1171D-400-1.0T
225480057	9610001246	\$2,550.00	PUMP P113S-1171D-450-1.5T
225480058	9610001248	\$2,790.00	PUMP P112S-1171D-475-1.5T
225480059	9610001249	\$2,295.00	PUMP ASY P113S-2373D-350-1/2T
225480060	9610001250	\$2,370.00	PUMP ASY P113S-2373D-400-1.0T
225480061	9610001252	\$2,450.00	PUMP ASY P113S-2373D-450-1.5T
225480062	9610001253	\$2,550.00	PUMP ASY P113S-2373D-475-1.5T
<b>SEAL KIT &amp; IMPELLER</b>			
341325	4471004138	\$280.00	PUMP SEAL KIT P113 - 7/8
341232	4471003758	\$375.00	IMPELR PUMP 3.5" P113
341233	4471003760	\$375.00	IMPELR PUMP 4.0" P113
341234	4471003761	\$375.00	IMPELR PUMP 4.5" P113
341235	4471003762	\$375.00	IMPELR PUMP 4.75" P113
341236	4471003764	\$375.00	PUMP, HEAD P113

ITEM NO.	SKU	LIST PRICE (USD)	DESCRIPTION
<b>P102R PUMPS</b>			
225480014	9108917800	\$3,600.00	PUMP ASY P102R-1171D-441-3/4T
225480023	9108918970	\$3,780.00	PUMP ASY P102R-2373D-441-3/4D
<b>SEAL KIT &amp; IMPELLER</b>			
337428	337428	\$280.00	PUMP SEAL KIT P102R

## CENTRIFUGAL PUMPS

ITEM NO.	SKU	LIST PRICE (USD)	DESCRIPTION
<b>P225S PUMPS</b>			
225480035	9600026130	\$3,765.00	PUMP P225S-1151D-450-1.5T
225480034	9600026129	\$4,390.00	PUMP P225S-1161D-450-2T
225480047	9600026142	\$4,600.00	PUMP P225S-1161D-475-3T
225480046	9600026141	\$4,590.00	PUMP P225S-2251-475-2T
225480033	9600026127	\$4,080.00	PUMP P225S-2373D-450-2T
225480048	9600026143	\$4,495.00	PUMP P225S-2373D-475-3T
<b>SEAL KIT &amp; IMPELLER</b>			
333169	333169	\$260.00	PUMP SEAL 1.25" 16/17-206 121
334747	334747	\$1,205.00	IMPELR PUMP 4.5"
1039103	1039103	\$1,705.00	IMPELR PUMP 4.75"

ITEM NO.	SKU	LIST PRICE (USD)	DESCRIPTION
<b>P425S PUMPS</b>			
225480045	9600026140	\$5,475.00	PUMP P425S-1161D-475-5T
225480053	9600026168	\$5,400.00	PUMP P425S-2373D-400-2T
225500146	9600010144	\$5,475.00	PUMP P425S-2373D-475-5T
225480044	9600026139	\$5,510.00	PUMP P425S-2373D-512-7.5T
<b>SEAL KIT &amp; IMPELLER</b>			
333169	333169	\$260.00	PUMP SEAL 1.25" 16/17-206 121
334650	334650	\$1,350.00	IMPELR PUMP 4.75" 5HP
333168	333168	\$1,310.00	IMPELR PUMP 4.0"
1014000	1014000	\$1,415.00	IMPELR PUMP 5.12" 7.5HP

Mobile living made easy.



## MARCH PUMP ASSEMBLIES

NEW PART NUMBER	NEW ITEM #	LIST PRICE USD	NEW DESCRIPTION	IMPELLER #
<b>MARCH PUMP ASSEMBLIES AND PRIME TIME PUMPS</b>				
225500004	9108549746	\$465.00	PUMP ASY PML250 115/50-60/1-	051701
225500226	9108549834	\$465.00	PUMP ASY PML250 115V NO FITTINGS	051701
225500014	9108549752	\$475.00	PUMP ASY PML250C 230/50-60/1-	051701
225500227	9108549835	\$475.00	PUMP ASY PML250C 230V NO FITTINGS	051701
225500005	9108549747	\$575.00	PUMP ASY PML500 115/50-60/1	330118
225500016	9108549754	\$610.00	PUMP ASY PML500C 50-60HZ/1	330118
225500064	9108549771	\$590.00	PUMP ASY PMA500 115V/60 3/4"IN	330118
225500068	9108549775	\$600.00	PUMP ASY PMA500C 230/60/1 3/4I	330118
225500067	9108549774	\$600.00	PUMP ASY PMA500CK 220/50/1	330118
225500065	9108549772	\$665.00	PUMP ASY PMA1000 115/50-60 3/4	334080
225500069	9108549776	\$685.00	PUMP ASY PMA1000C 230/50-60/1	334080
225500276	9108690301	\$1,325.00	PUMP PML1000 SUBMERSIBLE 115V	334080
225500288	9108690330	\$1,350.00	PUMP PML1000C SUBMERSIBLE 230V	334080
<b>MARCH PUMP ACCESSORIES</b>				
<b>PML 250</b>				
051701	051701	\$90.00	PML250 IMPELLER	
331073	331073	\$44.00	PLASTIC MOUNT BASE PM/PMP/PML250 & PML500	
334005	334005	\$260.00	PML250/P400 WET END ASSY	
<b>PML 500</b>				
330123	330123	\$270.00	PML500 WET END ASSY (PUMP HEAD, IMP., GASKETS & SEAL)	
331692	331692	\$200.00	PMA500 WET END ASSY (PUMP HEAD, IMP., GASKETS & SEAL)	
725115006	725115006	\$305.00	A-508P, PUMP HEAD ASSY. PM/PMP/ PML500	

## MARCH PUMP ASSEMBLIES

NEW PART NUMBER	NEW ITEM #	LIST PRICE USD	NEW DESCRIPTION	IMPELLER #
725115001	725115001	\$85.00	MOUNT KIT PMA500 & PMA1000	
334058	334058	\$340.00	P510 LITTLE GIANT WET END ASSY	
<b>PMA 1000</b>				
334007	334007	\$255.00	PMA1000 MARCH WET END ASSEMBLY (PUMP HEAD, IMPELLER, GASKETS, AND SEAL)	
725115004	725115004	\$275.00	PUMP HEAD ASSY. PMA1000 COMPLETE	
<b>PRIME TIME PUMPS</b>				
225500346	9108919116	\$1,350.00	PUMP DP-PT 115V 50/60HZ 4'CORD	
225500348	9108919426	\$1,390.00	PUMP DP-PT 230V 50/60HZ 4'CORD	
<b>CIRCULATED WATER PUMP PACKAGES</b>				
<b>**WITH DIAPHRAGM-STYLE EXPANSION TANKS**</b>				
260110516	9108551054	\$2,580.00	PUMP PKG PMA1000C, TANK, 230/50-60/1	
260110517	9108551055	\$2,685.00	PUMP PKG PMA1000CK, TANK 240/50/1	
<i>NOTE: INCLUDES PUMP, DRAIN PAN, FILL ASSEMBLY W/PRESS, REGULATOR, EXPANSION TANK, GAUGE, AND HOSEBARBS.</i>				

Mobile living made easy.

LEGACY ITEM #	NEW ITEM #	LIST PRICE (USD)	DESCRIPTION
<b>SEAWATER STRAINERS</b>			
225600021	9108549863	\$105.00	SEAWATER STRAINER, 1/2" FPT WITH BRACKET
332784	332784	\$90.00	SEAWATER STRAINER, 3/4" FPT, PLASTIC HOUSING
298001188	298001188	\$29.00	MOUNTING BRACKET 3/4" STRAINER ABOVE
1011100	1011100	\$340.00	ST3/4N, SEAWATER STRAINER, 3/4" FPT, GROCO
1011200	1011200	\$435.00	ST1N, SEAWATER STRAINER, 1" FPT, GROCO
1011300	1011300	\$490.00	ST1-1/4N, SEAWATER STRAINER, 1-1/4" FPT, GROCO
<b>THROUGH-HULL FITTINGS</b>			
1051800	1051800	\$90.00	FLUSH OVERBOARD THROUGH-HULL, BRONZE, 3/4" MPT
1054100	1054100	\$43.00	FITTING THRU-HULL PLASTIC 1/2" MPT X 5/8" HOSE
<b>HOSE BARBS/ADAPTERS</b>			
338454	4471000373	CALL FOR PRICE	BUSHING, PVC, 1/2" FPT X 3/4" MPT
290335080	290335080	\$20.00	ADAPTER PVC 1/2" MPT X 5/8" HOSE
1054200	1054200	\$4.64	ADAPTER PVC 1/2" FPT X 5/8" HOSE
290338130	4471000023	\$21.00	ADAPTER PVC 90° ELBOW 1/2" FPT X 5/8" HOSE
290335380	290335380	\$16.00	ADAPTER PVC 90° ELBOW 1/2" MPT X 5/8" HOSE
290335370	290335370	\$24.00	ADAPTER PVC 3/4" FPT X 3/4" HOSE
290335230	290335230	\$16.00	ADAPTER PVC 3/4" MPT X 3/4" HOSE
290335350	290335350	\$24.00	ADAPTER PVC 3/4" MPT X 1" HOSE
290331298	290331298	\$17.00	ADAPTER PVC 90° ELBOW 3/4" MPT X 3/4" HOSE
1056700	1056700	\$17.00	ADAPTER PVC 90° ELBOW 3/4" FPT X 1" HOSE
290335340	4471000371	\$15.00	ADAPTER PVC 1" MPT X 3/4" HOSE
290335200	4471000378	\$14.00	ADAPTER PVC 1" MPT X 1" HOSE
290335085	4471000359	\$15.00	ADAPTER PVC 1-1/4" MPT X 1-1/4" HOSE

## PUMP ACCESSORIES

LEGACY ITEM #	NEW ITEM #	LIST PRICE (USD)	DESCRIPTION
1053600	1053600	\$22.00	ADAPTER PVC 1" FPT X 1" HOSE
1056800	1056800	\$26.00	ADAPTER PVC 1-1/4" FPT X 1-1/4" HOSE

### PUMP MANIFOLDS - PVC CONSTRUCTION

220300007	9108549472	\$55.00	2 UNIT SPUD MANIFOLD-"U" CONFIG.(1/2"FPT X 1/2"HB X 1/2"HB)
220300008	9108549473	\$46.00	2 UNIT SPUD MANIFOLD-"T" CONFIG. (1/2"FPT X 1/2"HB X 1/2"HB)
220300009	9108549474	\$55.00	2 UNIT SPUD MANIFOLD-"F" CONFIG. (1/2"FPT X 1/2"HB X 1/2"HB)
220300003	9108549468	\$135.00	3 UNIT SPUD MANIFOLD (3/4"HB W/ (3) 1/2"HB OUTLETS)
220300004	9108549469	\$155.00	4 UNIT SPUD MANIFOLD (1"HB W/ (4) 1/2" HB OUTLETS)
220300005	9108549470	\$195.00	5 UNIT SPUD MANIFOLD (1"HB W/ (5) 1/2" HB OUTLETS)
220300006	9108549471	\$215.00	6 UNIT SPUD MANIFOLD (1"HB W/ (6) 1/2" HB OUTLETS)

### SEAWATER HOSE/KITS

226000049	9108549873	\$115.00	HOSE SEAWATER 5/8" X 25' ROLL WHITE
225600010	9108549861	\$495.00	3/4" SEAWATER KIT (THRU HULL, STRAINER, SPEED SCOOP, BALL VALVE)
225600015	9108549862	\$1,060.00	1" SEAWATER KIT (THRU HULL, STRAINER, SPEED SCOOP, BALL VALVE)

### IMPELLERS

339612	339612	\$395.00	P055S IMPELLER, 3.25"
340146	340146	\$425.00	P040S/P055S IMPELLER, 2.45"
333992	333992	\$250.00	P100 IMPELLER, 2 1/2" IMP
330345	330345	\$270.00	P110 IMPELLER, 2 3/4" IMP
333997	333997	\$250.00	P120 IMPELLER, 3" IMP
333995	333995	\$250.00	P700 IMPELLER, 3 1/2" IMP, 1PH
330069	330069	\$340.00	P700 IMPELLER, 3 1/2" IMP, 3PH

Mobile living made easy.

## PUMP ACCESSORIES

LEGACY ITEM #	NEW ITEM #	LIST PRICE (USD)	DESCRIPTION
330283	330283	\$345.00	P700 IMPELLER, 3" IMP, 3PH
330349	330349	\$350.00	P710 IMPELLER, 3 1/2" IMP, 1PH/3PH
330353	330353	\$350.00	P711 IMPELLER, 4" IMP, 60HZ
335155	335155	\$345.00	P711 IMPELLER, 4 1/4" #78
1039102	1039102	\$345.00	P711 IMPELLER, 4 1/2" #78
332597	332597	\$345.00	P711 IMPELLER, 4 3/4" IMP, 3PH, 50HZ
334747	334747	\$1,205.00	P715 SW/CW IMPELLER, 4.5" #17
334650	334650	\$1,350.00	P715 SW/CW IMPELLER, 4.75"
1014000	1014000	\$1,415.00	P715 SW/CW IMPELLER 5.12"
1038099	1038099	\$465.00	PH3000B3X IMPELLER, 4"
055100	055100	\$130.00	P1500 IMPELLER
1031102	1031102	\$175.00	P3000 IMPELLER KIT 3"
1031103	1031103	\$175.00	PH3000 IMPELLER KIT 3 1/2"

### SCOT PUMPS SEAL/GASKET KITS

339606	339606	\$180.00	SEAL KIT P040/055S
333990	333990	\$110.00	SEAL KIT #67-68 (P100-P700-PS1500BX- PS2200BX)
333169	333169	\$260.00	SEAL KIT #16B-17 TYPE 206 - #121 TYPE TCX (P715)
330071	330071	\$170.00	SEAL KIT #72-78 (P710-P711-PS1500B3X-PH3000B3X- P3600BX-PH4000B3X)
335216	335216	\$85.00	SEAL KIT PS700 (Z) & PS715
332068	332068	\$345.00	SEAL KIT #17 TYPE 17 - #121 TYPE 121 CW 1.5"

### OBERDORFER PUMPS ACCESSORIES

1031000	1031000	\$725.00	P1500 PUMP HEAD ASSY
297000040	297000040	\$135.00	MOUNT KIT P1500/P3000/PH3000BXT
1031101	1031101	\$950.00	HOUSING WITH HARDWARE P3000/PH3000 PUMPS

## PUMP ACCESSORIES

LEGACY ITEM #	NEW ITEM #	LIST PRICE (USD)	DESCRIPTION
725112000	725112000	\$290.00	SEAL KIT P1200 (BEGINNING SERIAL #449XXXXX, DATED 12/5/04)
725115007	725115007	\$115.00	SEAL KIT P1500BX/L OLD GASKET W/SEALS (W/SERIAL #S BEFORE 515XXXX, 4/15/05)
725115000	725115000	\$160.00	SEAL KIT P1500BX (BEGINNING W/ SERIAL # 515XXXXX, DATED 4/15/05)
725115002	725115002	\$115.00	SEAL KIT P3000BXL OLD STYLE (W/ SERIAL #S BEFORE 449XXXXX, DATED 12/5/04)
725130000	725130000	\$160.00	SEAL KIT P3000BX & BXL (BEGINNING W/ SERIAL #S 449XXXXX, DATED 12/5/04)
1032310	1032310	\$300.00	KIT PUMP REPAIR P1200B OLD STYLE W/ SEALS, GASKET & IMPELLER

## WATER FITTINGS & MANIFOLDS BRONZE/CUPRONICKEL

220300153	9108689801	\$135.00	M11-2, 1/2" FPT INLET, 2X 5/8" 90° OUTLET
220300147	9108689745	\$135.00	M12-2, 3/4" FPT INLET, 2X 5/8" OUTLETS
220300148	9108689748	\$245.00	M12-3, 3/4" FPT INLET, 3X 5/8" OUTLETS
220300152	9108689800	\$325.00	M12-4, 3/4" FPT INLET, 4X 5/8" OUTLETS
220300155	9108689830	\$200.00	M16-2, 1" FPT INLET, 2X 5/8" OUTLETS
220300151	9108689754	\$275.00	M16-3, 1" FPT INLET, 3X 5/8" OUTLETS
220300150	9108689753	\$325.00	M16-4, 1" FPT INLET, 4X 5/8" OUTLETS
220300149	9108689750	\$390.00	M16-5, 1" FPT INLET, 5X 5/8" OUTLETS
220300154	9108689828	\$460.00	M16-6, 1" FPT INLET, 6X 5/8" OUTLETS
220300161	9108690300	\$500.00	M16-7, 1" FPT INLET, 7X 5/8" OUTLETS

Mobile living made easy.

LEGACY ITEM #	NEW ITEM #	LIST PRICE (USD)	DESCRIPTION
<b>PUMP RELAYS</b>			
224110050	9108549708	\$370.00	2-6PRP, TWO TO SIX UNIT SOLID STATE RELAY, 115V/230V 1PHASE
724200019	9108689979	\$355.00	PR8X, PUMP RELAY, 115/230V, UP TO 8 TRIGGERS (NOT INCLUDED)
TBD	TBD	CALL FOR PRICE	TWO TO SIX UNIT SOLID STATE RELAY, 230V 3PHASE *
* NOTE: WHEN ORDERING 3 PHASE PRP PLEASE SUPPLY PUMP SIZE, AMP DRAW, HORSE POWER, AND/OR PART NUMBER.			
224110091	9108549718	\$320.00	REPLACEMENT 2-6PRP TWO TO SIX UNIT BOARD ONLY

LEGACY ITEM #	NEW ITEM #	LIST PRICE (USD)	MODEL	CAPACITY	POWER	IGN. PROT	INLET (FPT)	OUTLET (FPT)
<b>CRUISAIR AUTHORIZED DISTRIBUTORS &amp; DEALERS ONLY</b>								
225500404	9610000175	\$1,655.00	P1200BXT-SP	1200 @ 5'	115/230V, 50/60HZ	NO	1"	1"
225500270	9108689900	\$1,325.00	P1500BXT	1320 @ 5'	115/230V, 50/60HZ	NO	3/4"	1/2"
225500271	9108689901	\$1,645.00	P3000BXT	3000 @ 7'	115/230V, 50/60HZ	NO	1 1/4"	1"
225500272	9108689902	\$1,670.00	PH3000BXT	3000 @ 20'	115/230V, 50/60HZ	NO	1 1/4"	1"

<b>SOLID STATE RELAYS, TRIGGERS &amp; PARTS</b>			
290000224	4471000256	\$205.00	RELAY SOLID STATE 25 AMP 48-280VAC
4134100	4134100	\$205.00	RELAY SOLID STATE 40 AMP 48-280VAC
290000220	4471000246	\$290.00	RELAY SOLID STATE 75 AMP 48-280VAC
758000006	758000006	\$47.00	A-548, REPLACEMENT TO-3 TRIAC
701800008	701800008	\$115.00	A-551, STUD TRIAC . ASSY.
298001772	298001772	\$31.00	A-552, RELAY P.C. BOARD PR3X, PR8X, PWX
TR115	TR115	\$90.00	RELAY TRIGGER 115V- PR3X 8X & PWX
TR230	TR230	\$90.00	RELAY TRIGGER 230V- PR3X 8X & PWX



## CW LOOP COMPONENTS

LEGACY ITEM #	NEW ITEM #	LIST PRICE (USD)	DESCRIPTION
<b>EXPANSION TANKS</b>			
290000086	290000086	\$170.00	EXP TANK, 2 GAL, UP TO 30-TONS, 1/2" MPT
290000255	4471000347	\$260.00	EXP TANK, 4.4 GAL, UP TO 60-TONS, 1/2" MPT
1063560	1063560	\$535.00	EXP TANK, 7.6 GAL, UP TO 100-TONS, 1/2" MPT
<i>NOTE: SELECT TANK BASED ON TOTAL AIR HANDLER CAPACITY.</i>			
<b>FILL COMPONENTS</b>			
263400101	9108552257	\$385.00	HWRV FILL ASSEMBLY, 1/2"FPT, PRESS. REDUCER & FILL VALVE
334758	334758	\$240.00	PRESS. REDUCING VALVE, 12PSI, FAST-FILL, 1/2" FPT
290335225	290335225	\$1,210.00	BACKFLOW PREVENTER FILL LINE, 1/2"FPT (REDUCED PRESS ZONE)
1070200	1070200	\$235.00	BACK FLOW PREVENTER 1/2" FPT (NOT PERMANENT CONNECTION)
290000253	4471000344	\$435.00	PRESSURE REGULATOR/RELIEF VALVE 1/2" FPT
1070030	1070030	\$85.00	PRESSURE GAUGE, 0 - 30 PSI, 1/4" MPT
1070031	1070031	\$85.00	PRESSURE GAUGE, 0 - 60 PSI, 1/4" MPT
<b>AIR/DIRT/AIR-AND-DIRT SEPARATORS</b>			
334152	334152	\$235.00	1/2" SPIROTOP (INSTALL AT HIGH POINTS IN CW SYSTEM)
334132	334132	\$490.00	1-1/4" INLINE SPIROVENT, 15GPM (60K BTU/HR)X
334151	334151	\$690.00	1-1/2" INLINE SPIROVENT, 30GPM (120K BTU/HR)X
1063500	1063500	\$895.00	2" INLINE SPIROVENT, 40GPM BRASS
<i>IF INTERESTED IN THESE ITEMS, PLEASE CONTACT YOUR CRUISAIR SALES/APPLICATIONS REPRESENTATIVE.</i>			

Mobile living made easy.



CW LOOP COMPONENTS

LEGACY ITEM #	NEW ITEM #	LIST PRICE (USD)	DESCRIPTION
<b>LOOP Y-STRAINERS</b>			
1010012	1010012	\$280.00	"Y" STRAINER, BRONZE, 1 1/4" FPT
335345	335345	\$450.00	"Y" STRAINER, BRONZE, 1 1/2" FPT
335404	335404	\$605.00	"Y" STRAINER, BRONZE, 2" FPT
335263	335263	\$950.00	"Y" STRAINER, BRONZE, 2 1/2" FPT
335264	335264	\$1,275.00	"Y" STRAINER, BRONZE, 3" FPT
<b>BALANCING FLOW CONTROLS (SEE NOTE)</b>			
264600006	9108690987	\$525.00	BALANCING FLOW CONTROL, 1/2" FPT BFC12
264600011	9108693286	\$525.00	BALANCING FLOW CONTROL, 3/4" FPT BFC18
264600015	9108730670	\$670.00	BALANCING FLOW CONTROL, 1" FPT BFC36
264600014	9108698783	\$670.00	BALANCING FLOW CONTROL, 1" FPT BFC42
264600013	9108730493	\$670.00	BALANCING FLOW CONTROL, 1" FPT BFC48
264600020	9108731176	\$725.00	BALANCING FLOW CONTROL, 1 1/4" FPT BFC66
264600019	9108692159	\$725.00	BALANCING FLOW CONTROL, 1 1/4" FPT BFC72

**NOTES:**  
 1. SUBTRACT CHILLER CAPACITY (BTU/HR) FROM TOTAL AIR HANDLER CAPACITY TO GET BFC SIZE (BTU LOAD).  
 2. IF AN EXACT BFC SIZE IS NOT AVAILABLE, SELECT THE NEXT SMALLER SIZE.



## ADD-ONS AND SPECIAL UNITS

LEGACY ITEM #	NEW ITEM #	LIST PRICE (USD)	DESCRIPTION
<b>BREATHE EASY™ AIR PURIFIER</b>			
4210804	9108694408	\$65.00	BREATHE EASY™ PORTABLE REPLACEMENT BULB & MESH PCO DIVIDER
229801254	9108682881	\$715.00	BREATHE EASY™ UV TUBE 4"
229801255	9108682882	\$715.00	BREATHE EASY™ UV TUBE 5"
229801252	9108681937	\$715.00	BREATHE EASY™ UV TUBE 6"
229801253	9108682880	\$830.00	BREATHE EASY™ UV TUBE 7"
229801256	9108682883	\$830.00	BREATHE EASY™ UV TUBE 8"
229801604	9108850782	\$910.00	BREATHE EASY™ UV TUBE 10"
290000295	4471000713	\$110.00	LAMP, UV 5" INDUCT (USED IN 4, 5 AND 6" TUBES)
4210827	4210827	\$120.00	LAMP, UV 8" INDUCT/AU AIR HANDLERS - 7 AND 8" TUBES
290000266	4471000609	\$125.00	BALLAST, UV LAMP ( AU AIR HANDLERS)
264400065	264400065	\$470.00	RETRO KIT BREATHE EASY™ AU6-12
264400066	264400066	\$490.00	RETRO KIT BREATHE EASY™ AU18-24
<b>WHISPERFAN CONTROLLER</b>			
222200405	9610000086	\$955.00	WHISPERFAN CONTROLLER 230V
<b>SOUND COVERS (TURBO UNITS)</b>			
8010106	8010106	\$240.00	TALL VT/ST/DTU/DTG 6-8K
8010110	8010110	\$245.00	SHORT, R-22/417A: STQ10/STQ10C/STQ12C; VTD10K/ VTD10KZ/VTD12KZ50 410A: ALL 10K/12K
8010112	8010112	\$245.00	TALL, R-22/417A: STQ12/STQ12C/STQ10CK; VTD12K/ VTD12KZ/VTD10KZ50
8010114	8010114	\$245.00	SHORT, R-22/417A: STQ14/STQ16/STQ16CK; VTD14K/ VTD16K/VTD16KZ50 410A: ALL 16K
8010116	8010116	\$245.00	TALL, R-22/417A: STQ14C/STQ16C/STQ14CK; VTD- 14KZ/VTD16KZ/VTD14KZ50
336019	336019	\$19.00	SOUND COVER VT/ST HARDWARE PACK

Mobile living made easy.

LEGACY ITEM #	NEW ITEM #	LIST PRICE (USD)	DESCRIPTION
<b>SMART START™ DEVICES (REDUCE STARTUP SURGE)</b>			
298001892	9600022438	\$610.00	SMARTSTART IP65 1161 9A LRA 30A-45A
298001893	9600022430	\$610.00	SMARTSTART IP65 1161 16A LRA 45A-70A
298001894	9600022439	\$610.00	SMARTSTART IP65 2361 16A LRA 30A-85A
298001895	9600022440	\$610.00	SMARTSTART IP65 2361 32A LRA 85A-175A
298001890	9600022441	\$585.00	SMARTSTART, 2361 16A LRA 30A-85A INSIDE ELEC BOX
298001891	9600022442	\$585.00	SMARTSTART, 2361 32A LRA 85A-175A INSIDE ELEC BOX
<b>AUXILIARY DUCT HEATERS (HEAT MODULES)</b>			
715230214	9108694721	\$860.00	HMDL1-5, 1KW, 5", 115V
715230125	9108689037	\$890.00	HMDL1.5-6, 1.5KW, 6", 115V
715230123	9108688054	\$890.00	HMDL1.5-7, 1.5KW, 7", 115V
715230213	9108691729	\$860.00	HMDL1C-5, 1KW 5", 230V
715230126	9108690304	\$890.00	HMDL1.5C-6, 1.5KW, 6", 230V
715230212	9108689656	\$890.00	HMDL2-7, 2KW, 7", 115V
715230222	9108807963	\$890.00	HMDL2C-7, 2KW, 7", 230V
715230216	9108776719	\$890.00	HMDL3C-8, 3KW, 8", 230V
724600007	9108778912	\$490.00	AUXILIARY HEAT RELAY, 75AMP, 230V
<b>PILOT HOUSE DEFROSTER</b>			
215212005	9108855394	\$3,220.00	PHD12HVZ-1.5KW DEFROSTER, 230V,3" RINGS
<i>NOTE: CALL FOR ADDITIONAL CONFIGURATIONS</i>			

## CHILL CHASERS

LEGACY ITEM #	NEW ITEM #	LIST PRICE (USD)	KW	DESCRIPTION
<b>AUX. HEATER ASSEMBLIES FOR AT UNITS</b>				
264200021	9108552321	\$685.00	1KW	CHL CHSR 1KW AT6LH W/CVR
264400506	9108684077	\$685.00	1KW	CHL CHSR 1KW AT18LH W/CVR
264400520	9108552340	\$685.00	1KW	CHL CHSR 1KW AT24LH W/CVR
264400508	9108552328	\$685.00	1.5KW	CHL CHSR 1.5KW AT9/16LH-CVR
264400531	9108552351	\$685.00	1.5KW	CHL CHSR 1.5KW AT12LH-CVR
264400532	9108552352	\$685.00	1.5KW	CHL CHSR 1.5KW AT12RH-CVR
264400535	9108552355	\$685.00	1.5KW	CHL CHSR 1.5KW AT18LH-CVR
264400536	9108552356	\$685.00	1.5KW	CHL CHSR 1.5KW AT18RH-CVR
264400538	9108552358	\$685.00	1.5KW	CHL CHSR 1.5KW AT24LH-CVR
264400542	9108552362	\$685.00	1.5KW	CHL CHSR 1.5KW AT36LH-CVR
264400507	9108552327	\$735.00	2KW	CHL CHSR 2KW AT12LH W/CVR
264400502	9108552325	\$735.00	2KW	CHL CHSR 2X1KW AT18LH W/CVR
264400573	9108852455	\$735.00	2KW	CHL CHSR 2X1KW AT18RH W/CVR
264400547	9108552367	\$735.00	2KW	CHL CHSR 2X1KW AT24RH W/CVR
264400503	9108552326	\$820.00	3KW	CHL CHSR 2X1.5KW AT24LH-CVR
<b>AUX. HEATER ASSEMBLIES FOR AU UNITS</b>				
264400569	9108844858	\$650.00	1KW	CHL CHSR 1KW AU6Z-LH/RH-CVR
264400574	9108853256	\$650.00	1KW	CHL CHSR 1KW AU9-12Z-LH/RH CVR
264400575	9108853258	\$660.00	1KW	CHL CHSR 1KW AU18Z-LH/RH CVR
264400576	9108853263	\$660.00	1KW	CHL CHSR 1KW AU24Z-LH/RH CVR
264400565	9108832303	\$660.00	1.5KW	CHL CHSR 1.5KW AU9-12Z-LH/RH CVR
264400570	9108845105	\$660.00	1.5KW	CHL CHSR 1.5KW AU18Z-LH/RH CVR
264400572	9108850338	\$660.00	1.5KW	CHL CHSR 1.5KW AU24Z-LH/RH CVR
264400568	9108843553	\$735.00	2KW	CHL CHSR 2KW AU9-12Z-LH-CVR

Mobile living made easy.

LEGACY ITEM #	NEW ITEM #	LIST PRICE (USD)	KW	DESCRIPTION
264400564	9108832302	\$735.00	3KW	CHL CHSR 2X1.5KW AU18Z-LH/RH CVR
264400563	9108832239	\$735.00	3KW	CHL CHSR 2X1.5KW AU24Z-LH/RH CVR

**AUX. HEATER ASSEMBLIES FOR AU UNITS WITH BREATHE EASY**

264400611	9108844403	\$1,215.00	1KW	CHL CHSR BE 1KW AU6Z-LH-CVR
264400610	9108844399	\$1,215.00	1KW	CHL CHSR BE 1KW AU9-12Z-LH-CVR
264400609	9108844398	\$1,260.00	1.5KW	CHL CHSR BE 1.5KW AU18Z-LH CVR
264400608	9108844397	\$1,260.00	1.5KW	CHL CHSR BE 1.5KW AU24Z-CVR

## AIR FILTERS

ITEM NUMBER	NEW ITEM #	LIST PRICE (USD)	DESCRIPTION	INCHES (WXL)
<b>BLACK MESH FILTERS SELF-CONTAINED UNITS</b>				
235000560	235000560	\$575.00	FILTER, MESH PLSTC BLK 18"W 350' ROLL	
235000508	235000508	\$27.00	FILTER, MESH BLK VC/SF/CMC12- 16/1	11 X 12.5
<b>MICRO-PARTICLE ANTI-ALLERGENIC FILTERS FOR SELF-CONTAINED UNITS</b>				
235000600	9108705893	\$45.00	FILTER, MICRO VC-SF-CL-ZF5(/1)	7.875 X 9
235000601	9108705894	\$45.00	FILTER, MICRO VC-SF-CMC7(/1)	9.375 X 10
235000602	9108705895	\$45.00	FILTER, MICRO SXR7	8.125 X 8
235000604	9108705897	\$41.00	FILTER, MICRO VC-SF-CMC10 LC- ZF10	11.875 X 10
235000605	9108705898	\$41.00	FILTER, MICRO VC-SF-CL-ZF- CMC12/1	10.875 X 12
235000606	9108705899	\$55.00	FILTER, MICRO VC-SF12-16 CL-ZF- CM	11.875 X 12
235000607	9108705900	\$95.00	FILTER, MICRO VC-SF24(/1)	16.375 X 16
235000638	9108705902	\$43.00	FILTER, MICRO VT6-8K 10.25HX8.875	8.875 X 10.25
235000639	9108705903	\$48.00	FILTER, MICRO VT10-12K 11.5HX10.8	10.875 X 11.50
<b>REPLACEMENT FILTERS FOR AU AIR HANDLERS</b>				
235100035	4471001339	\$50.00	FILTER, POLY AU6	8 X 10
235000918	4471001334	CALL FOR PRICE	FILTER, POLY AU18	13.5 X 12
235000924	4471001337	CALL FOR PRICE	FILTER, POLY AU24	16 X 14

Mobile living made easy.

ITEM NUMBER	NEW ITEM #	LIST PRICE (USD)	DESCRIPTION	INCHES (WXL)
<b>REPLACEMENT FILTERS FOR AT AIR HANDLERS</b>				
235000625	235000625	\$43.00	FILTER, MICRO AT4	8 X 8
235000626	235000626	\$43.00	FILTER, MICRO AT6	8 X 8.25
235000627	235000627	\$43.00	FILTER, MICRO AT9	10 X 10
235000628	235000628	\$49.00	FILTER, MICRO AT12	10 X 12
235000629	235000629	\$95.00	FILTER, MICRO AT15-18	13 X 13.5
235000630	235000630	\$110.00	FILTER, MICRO AT24	15.5 X 16
235000631	235000631	\$105.00	FILTER, MICRO AT36	18 X 18
235100032	4471001332	\$45.00	FILTER, POLY AT4	8 X 8
235000926	235000926	\$35.00	FILTER, POLY AT6	8.25 X 8
235000927	235000927	\$45.00	FILTER, POLY AT9	10 X 10
235000928	235000928	CALL FOR PRICE	FILTER, POLY AT12	12 X 10
235000925	235000925	\$55.00	FILTER, POLY AT15/18	13.5 X 13
235000929	235000929	\$75.00	FILTER, POLY AT24	16 X 15
235000930	235000930	\$85.00	FILTER, POLY AT30-36	18 X 18

## GRILLES

LEGACY ITEM #	NEW ITEM #	LIST PRICE (USD)	DESCRIPTION
<b>ROUND PLASTIC GRILLES</b>			
228710001	9108550033	\$19.00	3" PLASTIC ADAPTER (TO CONNECT 3" DUCTING TO THE 4SA)
2060301	9108548286	\$21.00	REDUCER TO CONNECT 3" HOSE TO A V4 RND
333438	9108557421	\$28.00	GRILLE EURO ROUND 2" BLACK
333441	9108557423	\$28.00	GRILLE EURO ROUND 2" WHITE
333443	9108557425	\$28.00	GRILLE EURO ROUND 2" OFFWHITE
333437	9108557420	\$28.00	GRILLE EURO ROUND 3" BLACK
333442	9108557424	\$28.00	GRILLE EURO ROUND 3" OFFWHITE
333439	9108557422	\$28.00	GRILLE EURO ROUND 3" WHITE
2071002	9108548315	\$28.00	GRILLE GLOBAL ROUND 3" BLACK
2071003	9108548316	\$28.00	GRILLE GLOBAL ROUND 3" OFFWHITE
2071004	9108548317	\$28.00	GRILLE GLOBAL ROUND 3" WHITE
217100006	9610000358	\$18.00	GRILLE ROUND 4" BEIGE
335162	9108557519	\$18.00	GRILLE ROUND 4" BLACK NO DAMPER
V4 RND BROWN	9108533412	\$18.00	GRILLE ROUND 4" V4 BROWN PLASTIC
339284	9108557580	\$18.00	GRILLE ROUND 4" WHITE
332485	9108557357	\$18.00	GRILLE ROUND 4" WHITE NO DAMPER
369947	9108557692	\$18.00	GRILLE ROUND 4" OFF WHITE
330571	9108555559	\$18.00	GRILLE ROUND 4" OFF WHT NO DMPR
339670	9108557582	\$18.00	GRILLE ROUND 4" BLACK
339680	9108557583	\$18.00	GRILLE ROUND 4" BROWN
339690	9108557584	\$18.00	GRILLE ROUND 4" WALNUT NO DAMPR
717650003	9108561974	\$19.00	GRILLE ROUND 4" BEIGE WITH DAMPER
335078	9108557514	\$23.00	GRILLE ROUND 5" WHITE NO DAMPER

Mobile living made easy.



LEGACY ITEM #	NEW ITEM #	LIST PRICE (USD)	DESCRIPTION
<b>PLASTIC DISCHARGE GRILLES WITH PLENUMS</b>			
217316016	9108549199	\$90.00	V5X5 PGA-4TB, MOVEABLE VANES, W/ 4" RING ON BACK
217316025	9108549207	\$140.00	V8X4 PGA-4TB, MOVEABLE VANES, W/ 4" RING ON BACK
217316031	9108549210	\$140.00	V8X4 PGA-5TB, MOVEABLE VANES, W/ 5" RING ON BACK
217316009	9108549192	\$145.00	V10X4 PGA-5TB, MOVEABLE VANES, W/ 5" RING ON BACK
217316021	9108549204	\$145.00	V10X5 PGA-5TB, MOVEABLE VANES, W/ 5" RING ON BACK
217316041	9108549218	\$150.00	V10X8 PGA-6TB, MOVEABLE VANES, W/ 6" RING ON BACK
217316032	9108549211	\$150.00	V10X8 PGA-7TB, MOVEABLE VANES, W/ 7" RING ON BACK
217316038	9108549216	\$145.00	V12X4 PGA-5TB, MOVEABLE VANES, W/ 5" RING ON BACK
<b>PLASTIC GRILLES WITH MOUNTING FRAMES</b>			
217316057	9108690060	\$125.00	V4X10 PGA-R, DISCHARGE, MOVEABLE VANES, W/FRAME
V6X10 PGA-R	9108533465	\$115.00	V6X10 PGA-R, DISCHARGE, MOVEABLE VANES, W/FRAME
217316002	9108549186	\$115.00	V8X4 PGA-R, DISCHARGE, MOVEABLE VANES, W/FRAME
217316010	9108549193	\$125.00	V10X4 PGA-R, DISCHARGE, MOVEABLE VANES, W/FRAME
217316054	9108688974	\$135.00	V8X8 PGA-R, DISCHARGE, MOVEABLE VANES, W/FRAME
217316015	9108549198	\$150.00	V10X8 PG-RF, RETURN-AIR, FIXED VANES, W/FRAME & FILTER
217316112	9108549185	\$150.00	V10X10 PG-RF, RETURN-AIR, FIXED VANES, W/FRAME & FILTER, WHITE
217316052	9108688426	\$160.00	V10X14 PG-RF, RETURN-AIR, FIXED VANES, W/FRAME & FILTER
217316020	9108549203	\$150.00	V12X12 PG-RF, RETURN-AIR, FIXED VANES, W/FRAME & FILTER
217316018	9108549201	\$160.00	V14X12 PG-RF, RETURN-AIR, FIXED VANES, W/FRAME & FILTER

## GRILLES

LEGACY ITEM #	NEW ITEM #	LIST PRICE (USD)	SIZE	DESCRIPTION
<b>ALUMINUM RETURN AIR GRILLES NO FILTER</b>				
V8X6 RA	9108533521	\$80.00	8X6TRA(AL)	8" LOUVERS - NO FILTER
217300290	9600006399	\$80.00	8X8TRA(AL)	8" LOUVERS - NO FILTER
217000199	9108548614	\$80.00	8X11TRA(AL)	8" LOUVERS - NO FILTER
217000228	9108548630	\$80.00	10X4TRA(AL)	10" LOUVERS - NO FILTER
V10X6 RA	9108533285	\$80.00	10X6TRA(AL)	10" LOUVERS - NO FILTER
217300303	9610001113	\$80.00	10X8TRA(AL)	10" LOUVERS - NO FILTER
V10X10 RA	9108533248	\$80.00	10X10TRA(AL)	10" LOUVERS - NO FILTER
V10X12 RA	9108533256	\$80.00	10X12TRA(AL)	10" LOUVERS - NO FILTER
217300012	9108549126	\$80.00	11X7TRA(AL)	11" LOUVERS - NO FILTER
217000202	9108548617	\$80.00	11X8TRA(AL)	11" LOUVERS - NO FILTER
217000226	9108548629	\$95.00	11X12TRA(AL)	11" LOUVERS - NO FILTER
217300298	9610001090	\$45.00	12X6TRA(AL)	12" LOUVERS - NO FILTER
335856	9108557555	\$80.00	12X12TRA(AL)	12" LOUVERS - NO FILTER
V12X12 RA	9108533316	\$80.00	12X12TRA(AL)	12" LOUVERS - NO FILTER
217000224	9108548627	\$80.00	14X7TRA(AL)	14" LOUVERS - NO FILTER
217000223	9108548626	\$95.00	14X10TRA(AL)	14" LOUVERS - NO FILTER
V14X10 RA	9108533343	\$95.00	14X10TRA(AL)	14" LOUVERS - NO FILTER
217000221	9108548624	\$95.00	14X12TRA(AL)	14" LOUVERS - NO FILTER
V14X14 RA	9108533349	\$95.00	14X14TRA(AL)	14" LOUVERS - NO FILTER
217300291	9600006403	\$80.00	16X6TRA(AL)	16" LOUVERS - NO FILTER
217000220	9108548623	\$85.00	16X9TRA(AL)	16" LOUVERS - NO FILTER
217000225	9108548628	\$85.00	20X5TRA(AL)	20" LOUVERS - NO FILTER
217000222	9108548625	\$100.00	22X7TRA(AL)	22" LOUVERS - NO FILTER
V22X14 RA	9108533391	\$95.00	22X14TRA(AL)	22" LOUVERS - NO FILTER

Mobile living made easy.

LEGACY ITEM #	NEW ITEM #	LIST PRICE (USD)	SIZE	DESCRIPTION
<b>ALUMINUM RETURN AIR GRILLES WITH FILTER</b>				
V8X8 RAFB	9108533532	\$150.00	8X8TRAF(AL)	8" LOUVERS - FILTERBACK
217000238	9108548640	\$90.00	8X11TRAF(AL)	8" LOUVERS - FILTERBACK
V10X10 RAFB	9108533252	\$170.00	10X10TRAF(AL)	10" LOUVERS - FILTERBACK
217000241	9108548643	\$170.00	11X7TRAF(AL)	11" LOUVERS - FILTERBACK
217000232	9108548634	\$170.00	11X8TRAF(AL)	11" LOUVERS - FILTERBACK
217000236	9108548638	\$170.00	11X12TRAF(AL)	11" LOUVERS - FILTERBACK
217000240	9108548642	\$170.00	12X12TRAF(AL)	12" LOUVERS - FILTERBACK
V12X12 RAFB	9108533321	\$170.00	12X12TRAF(AL)	12" LOUVERS - FILTERBACK
217000234	9108548636	\$170.00	14X7TRAF(AL)	14" LOUVERS - FILTERBACK
217000233	9108548635	\$170.00	14X10TRAF(AL)	14" LOUVERS - FILTERBACK
217000230	9108548632	\$170.00	14X12TRAF(AL)	14" LOUVERS - FILTERBACK
217300241	9108549166	\$170.00	14X14TRAF(AL)	14" LOUVERS - FILTERBACK
217300038	9108549132	\$170.00	14X20TRAF(AL)	14" LOUVERS - FILTERBACK
217000229	9108548631	\$170.00	16X9TRAF(AL)	16" LOUVERS - FILTERBACK
217000235	9108548637	\$170.00	20X5TRAF(AL)	20" LOUVERS - FILTERBACK
217000231	9108548633	\$170.00	22X7TRAF(AL)	22" LOUVERS - FILTERBACK
217000237	9108548639	\$180.00	28X6TRAF(AL)	28" LOUVERS - FILTERBACK
<b>ALUMINUM DOUBLE DEFLECTION SUPPLY GRILLES WITH FRONT BLADES VERTICAL</b>				
V5X12 VH	9108533461	\$80.00	5X12 V-H	ALUMINUM DISCHARGE GRILLE
V6X4 VH	9108533481	\$80.00	6X4 VH-H	ALUMINUM DISCHARGE GRILLE
V6X8 VH	9108533489	\$80.00	6X8 VH-H	ALUMINUM DISCHARGE GRILLE
V6X10 VH	9108533466	\$80.00	6X10 V-H	ALUMINUM DISCHARGE GRILLE
V6X12 VH	9108533471	\$80.00	6X12 V-H	ALUMINUM DISCHARGE GRILLE
V7X7 VH	9108533490	\$80.00	7X7 VH-H	ALUMINUM DISCHARGE GRILLE
V8X10 VH	9108533499	\$80.00	8X10 V-H	ALUMINUM DISCHARGE GRILLE

## GRILLES

LEGACY ITEM #	NEW ITEM #	LIST PRICE (USD)	SIZE	DESCRIPTION
<b>ALUMINUM DOUBLE DEFLECTION SUPPLY GRILLES WITH FRONT BLADES VERTICAL</b>				
V8X8 VH	9108533533	\$80.00	8X8 VH-H	ALUMINUM DISCHARGE GRILLE
V10X4 VH	9108533264	\$80.00	10X4 V-H	ALUMINUM DISCHARGE GRILLE
V12X4 VH	9108533327	\$80.00	12X4 V-H	ALUMINUM DISCHARGE GRILLE
V14X5 VH	9108533352	\$80.00	14X5 V-H	ALUMINUM DISCHARGE GRILLE
V12X12 VH	9108533323	\$80.00	12X12V -H	ALUMINUM DISCHARGE GRILLE
V20X4 VH	9108533385	\$80.00	20X4 V-H	ALUMINUM DISCHARGE GRILLE
<b>ALUMINUM DISCHARGE GRILLES WITH SHUTOFF DAMPER</b>				
217300085	9108886480	\$65.00	4X4 VML	ALUMINUM DISCHARGE GRILLE, WITH DAMPER
V6X10 VML	9108533469	\$75.00	6X10 VML	ALUMINUM DISCHARGE GRILLE, WITH DAMPER
V8X4 VML	9108533517	\$75.00	8X4 VML	ALUMINUM DISCHARGE GRILLE, WITH DAMPER
V8X6 VML	9108533524	\$75.00	8X6 VML	ALUMINUM DISCHARGE GRILLE, WITH DAMPER
V10X4 VML	9108533267	\$80.00	10X4 VML	ALUMINUM DISCHARGE GRILLE, WITH DAMPER
V12X4 VML	9108533330	\$80.00	12X4 VML	ALUMINUM DISCHARGE GRILLE, WITH DAMPER
<b>ALUMINUM SUPPLY AIR GRILLS - HORIZONTAL LOUVERS</b>				
217000201	9108548616	\$75.00	4X4TH(AL)	ANODIZED SUPPLY AIR W/4" HORIZONTAL LOUVERS
217000197	9108548612	\$75.00	7X7TH(AL)	ANODIZED SUPPLY AIR W/7" HORIZONTAL LOUVERS
217000200	9108548615	\$75.00	8X4TH(AL)	ANODIZED SUPPLY AIR W/8" HORIZONTAL LOUVERS
217000198	9108548613	\$75.00	10X4TH(AL)	ANODIZED SUPPLY AIR W/10" HORIZONTAL LOUVERS
217000208	9108548620	\$75.00	10X5TH(AL)	ANODIZED SUPPLY AIR W/10" HORIZONTAL LOUVERS

Mobile living made easy.

LEGACY ITEM #	NEW ITEM #	LIST PRICE (USD)	SIZE	DESCRIPTION
<b>ALUMINUM SUPPLY AIR GRILLES - VERTICAL LOUVERS</b>				
217000218	9108548622	\$75.00	10X4TV(AL)	ANODIZED SUPPLY AIR W/4" VERTICAL LOUVERS
217300128	9108549147	\$75.00	12X3TV(AL)	ANODIZED SUPPLY AIR W/3" VERTICAL LOUVERS
217300129	9108549148	\$75.00	12X4TV(AL)	ANODIZED SUPPLY AIR W/4" VERTICAL LOUVERS
217300130	9108549149	\$75.00	12X5TV(AL)	ANODIZED SUPPLY AIR W/5" VERTICAL LOUVERS
217300131	9108549150	\$75.00	12X6TV(AL)	ANODIZED SUPPLY AIR W/6" VERTICAL LOUVERS
217300132	9108549151	\$75.00	14X4TV(AL)	ANODIZED SUPPLY AIR W/4" VERTICAL LOUVERS
217300133	9108549152	\$75.00	14X5TV(AL)	ANODIZED SUPPLY AIR W/5" VERTICAL LOUVERS
217300134	9108549153	\$75.00	14X6TV(AL)	ANODIZED SUPPLY AIR W/6" VERTICAL LOUVERS
217300135	9108549154	\$75.00	14X7TV(AL)	ANODIZED SUPPLY AIR W/7" VERTICAL LOUVERS
217300138	9108549156	\$75.00	16X4TV(AL)	ANODIZED SUPPLY AIR W/4" VERTICAL LOUVERS
217300140	9108549157	\$75.00	18X3TV(AL)	ANODIZED SUPPLY AIR W/3" VERTICAL LOUVERS
217300141	9108549158	\$75.00	20X5TV(AL)	ANODIZED SUPPLY AIR W/5" VERTICAL LOUVERS

LEGACY ITEM #	NEW ITEM #	LIST PRICE (USD)	SIZE	DESCRIPTION
<b>TEAK/BRONZE RETURN AIR WOOD GRILLES (WITH FILTER)</b>				
217400143	9108549286	\$230.00	10X6RA(TB)	TK/BRZ
217400137	9108549284	\$230.00	10X10RA(TB)	TK/BRZ
217400323	9108549311	\$230.00	10X12RA(TB)	TK/BRZ
217400081	9108549274	\$240.00	11X8RA(TB)	TK/BRZ
217400183	9108549298	\$245.00	12X12RA(TB)	TK/BRZ
217400147	9108549287	\$280.00	12X14RA(TB)	TK/BRZ
217400112	9108549279	\$250.00	14X10RA(TB)	TK/BRZ
217400111	9108549278	\$255.00	14X12RA(TB)	TK/BRZ

## GRILLES

LEGACY ITEM #	NEW ITEM #	LIST PRICE (USD)	SIZE	DESCRIPTION
217400680	9108549345	\$265.00	14X14RA(TB)	TK/BRZ
217400206	9108549301	\$255.00	16X6RA(TB)	TK/BRZ
217100103	9108548870	\$260.00	16X8RA(TB)	TK/BRZ

### TEAK SUPPLY AIR WOOD GRILLES

217400000	9108549254	\$230.00	4X4VH(TB)	TK/BRZ
217400050	9108549268	\$230.00	7X7VH(TB)	TK/BRZ
217401130	9108549385	\$230.00	8X4VH(TB)	TK/BRZ
217400177	9108549296	\$230.00	8X8VH(TB)	TK/BRZ
217400005	9108549257	\$230.00	10X4VH(TB)	TK/BRZ
217400078	9108549272	\$230.00	10X5VH(TB)	TK/BRZ
217400007	9108549259	\$235.00	12X4VH(TB)	TK/BRZ
217400123	9108549282	\$245.00	12X6VH(TB)	TK/BRZ
217400013	9108549262	\$245.00	14X6VH(TB)	TK/BRZ

### TEAK SUPPLY AIR WOOD GRILLES WITH SHUTOFF DAMPER

217400085	9108549275	\$275.00	4X4VML(TB)	TK/BRZ
217400325	9108549312	\$315.00	4X8VML(TB)	TK/BRZ
217400043	9108549267	\$290.00	6X4VML(TB)	TK/BRZ
217400057	9108549270	\$315.00	8X4VML(TB)	TK/BRZ
217400125	9108549283	\$315.00	10X4VML(TB)	TK/BRZ
217400333	9108549317	\$320.00	10X6VML(TB)	TK/BRZ

Mobile living made easy.

LEGACY ITEM #	NEW ITEM #	LIST PRICE USD	DESCRIPTION
<b>FLEXIBLE AIR DUCT</b>			
<b>FLEXIBLE DUCT, INSULATED (NOT UV RATED USE WITH BREATHE EASY)</b>			
226600077	9108549909	\$90.00	INSULATED FLEX DUCT, 3", 25 FT. LENGTH
226600078	9108549910	\$90.00	INSULATED FLEX DUCT, 4", 25 FT. LENGTH
226600079	9108549911	\$100.00	INSULATED FLEX DUCT, 5", 25 FT. LENGTH
226600080	9108549912	\$105.00	INSULATED FLEX DUCT, 6", 25 FT. LENGTH
226600081	9108549913	\$110.00	INSULATED FLEX DUCT, 7", 25 FT. LENGTH
226600082	9108549914	\$115.00	INSULATED FLEX DUCT, 8", 25 FT. LENGTH
226600022	9108762650	\$135.00	INSULATED FLEX DUCT, 9", 25 FT. LENGTH
226600023	9108762652	\$160.00	INSULATED FLEX DUCT, 10", 25 FT. LENGTH
226600083	9108549915	\$195.00	INSULATED FLEX DUCT, 12", 25 FT. LENGTH
<b>FLEXIBLE DUCT, VINYL (NOT INSULATED)</b>			
226600086	9108549917	\$135.00	VINYL FLEX DUCT, 2", 25 FT. LENGTH
226600087	9108549918	\$140.00	VINYL FLEX DUCT, 3", 25 FT. LENGTH
226600088	9108549919	\$150.00	VINYL FLEX DUCT, 4", 25 FT. LENGTH
226600089	9108549920	\$160.00	VINYL FLEX DUCT, 5", 25 FT. LENGTH
226600090	9108549921	\$210.00	VINYL FLEX DUCT, 6", 25 FT. LENGTH
<b>PLASTIC GRILL TRANSITION BOXES WITH BACK CONNECTIONS (OPPOSITE GRILL OPENING)</b>			
VTB44-3B	9108533228	\$65.00	4" X 4" WITH 3" RING BACK
VTB44-4B	9108533230	\$65.00	4" X 4" WITH 4" RING BACK
335635	9108557548	\$75.00	VTB64-4B, 6" X 4" WITH 4" RING BACK
229500057	9108550052	\$95.00	VTB84-4B, 8" X 4" WITH 4" RING BACK
229500195	9108550086	\$95.00	VTB84-5B, 8" X 4" WITH 5" RING BACK
229500058	9108550053	\$100.00	VTB104-5B, 10" X 4" WITH 5" RING BACK
229501524	9108690126	\$110.00	VTB106-5B, 10" X 6" WITH 5" RING BACK
229501523	9108690125	\$110.00	VTB106-6B, 10" X 6" WITH 6" RING BACK

## DUCTING & PLENUMS

LEGACY ITEM #	NEW ITEM #	LIST PRICE USD	DESCRIPTION
<b>FLEXIBLE AIR DUCT</b>			
<b>PLASTIC GRILL TRANSITION BOXES WITH END CONNECTIONS (ON SMALL DIMENSION)</b>			
229500071	9108550058	\$90.00	VTB44-4E, 4" X 4" WITH 4" RING END
335634	9108557547	\$80.00	VTB64-4E, 6" X 4" WITH 4" RING END
335195	9108557520	\$95.00	VTB84-4E, 8" X 4" WITH 4" RING END
VTB104-4E	9108533206	\$95.00	10" X 4" WITH 4" RING END

LEGACY ITEM #	NEW ITEM #	LIST PRICE USD	DESCRIPTION
<b>PLASTIC GRILL TRANSITION BOXES WITH SIDE CONNECTIONS (ON LONG DIMENSION)</b>			
229500122	9108550071	\$95.00	VTB84-4S, 8" X 4" WITH 4" RING SIDE
VTB84-5S	9108533242	\$100.00	8" X 4", WITH 5" RING SIDE

<b>PLASTIC GRILL TRANSITION BOXES</b>			
<b>(BOXES ARE 5-3/16" DEEP)</b>			
229800014	9108550599	\$55.00	TRANSITION BOX ABS 4X4 NO CUTS/RINGS
229800044	9108550618	\$65.00	TRANSITION BOX ABS 6"X6" NO CUT/RNGS
228700121	9108550007	\$65.00	TRANSITION BOX ABS 6X4 NO CUTS/RINGS
229800027	9108550612	\$65.00	TRANSITION BOX ABS 7X7 NO CUTS/RINGS
229800017	9108550602	\$65.00	TRANSITION BOX ABS 8X4 NO CUTS/RINGS
228700159	9108690103	\$65.00	TRANSITION BOX ABS 8X6 NO CUTS/RINGS
229800018	9108550603	\$75.00	TRANSITION BOX ABS 10X4 NO CUTS/RINGS
229800019	9108550604	\$65.00	TRANSITION BOX ABS 12X4 NO CUTS/RINGS
229800022	9108550607	\$80.00	TRANSITION BOX ABS 10X5X4.5 NO CUTS/RINGS
229800034	9108550615	\$80.00	TRANSITION BOX ABS 10X5X5.75 NO CUTS/RINGS
228700158	9108690102	\$90.00	TRANSITION BOX ABS 10X6 NO CUTS/RINGS
229800043	9108550617	\$90.00	TRANSITION BOX ABS 10"X8" NO CUTS/RINGS
229800025	9108550610	\$80.00	TRANSITION BOX ABS 12X6X4.5 NO CUT/RINGS
229800045	9108680914	\$90.00	TRANSITION BOX ABS 12X6X5 NO CUTS/RINGS

Mobile living made easy.



## DUCTING & PLENUMS

LEGACY ITEM #	NEW ITEM #	LIST PRICE USD	DESCRIPTION
229800031	9108550613	\$90.00	TRANSITION BOX ABS 12X6X5.75 NO CUTS/RINGS
229800020	9108550605	\$90.00	TRANSITION BOX ABS 14X4 NO CUTS/RINGS
229800024	9108550609	\$80.00	TRANSITION BOX ABS 14X5 NO CUTS/RINGS
229800026	9108550611	\$105.00	TRANSITION BOX ABS 14X6X4.5 NO CUTS/RINGS
229800033	9108682863	\$100.00	TRANSITION BOX ABS 14X7X5.5 NO CUTS/RINGS
229502080	9610002066	\$100.00	TRANSITION BOX ABS 16"X8" NO CUT/RNG
229800021	9108550606	\$95.00	TRANSITION BOX ABS 16X4 NO CUTS/RINGS
229800015	9108550600	\$65.00	TRANSITION BOX ABS 4X4 E3

### PLASTIC DUCT TEES, ADJUSTABLE BAFFLE

228700100	9108549988	\$130.00	TRANSITION ABS "T" DUCT 4/4/3
228700085	9108549975	\$130.00	TRANSITION ABS "T" DUCT 4/4/4
228700093	9108549983	\$130.00	TRANSITION ABS "T" DUCT 5/4/3
228700053	9108549946	\$130.00	TRANSITION ABS "T" DUCT 5/4/4
228700104	9108549992	\$130.00	TRANSITION ABS "T" DUCT 5/5/3
228700062	9108549953	\$130.00	TRANSITION ABS "T" DUCT 5/5/4
228700067	9108549958	\$130.00	TRANSITION ABS "T" DUCT 5/5/5
228700142	9108686175	\$130.00	TRANSITION ABS "T" DUCT 6/4/4
228700108	9108549995	\$130.00	TRANSITION ABS "T" DUCT 6/5/4
228700092	9108549982	\$130.00	TRANSITION ABS "T" DUCT 6/5/5
228700088	9108549978	\$130.00	TRANSITION ABS "T" DUCT 6/6/3
228700114	9108550001	\$130.00	TRANSITION ABS "T" DUCT 6/6/4
228700120	9108550006	\$130.00	TRANSITION ABS "T" DUCT 6/6/5
228700119	9108550005	\$130.00	TRANSITION ABS "T" DUCT 6/6/6
228700106	9108549994	\$130.00	TRANSITION ABS "T" DUCT 7/5/5
228700167	9108754974	\$130.00	TRANSITION ABS "T" DUCT 7/6/3
228700103	9108549991	\$130.00	TRANSITION ABS "T" DUCT 7/6/4
228700115	9108550002	\$130.00	TRANSITION ABS "T" DUCT 7/6/5
228700081	9108549971	\$130.00	TRANSITION ABS "T" DUCT 7/6/6
228700150	9108688860	\$130.00	TRANSITION ABS "T" DUCT 8/7/7

## DUCTING & PLENUMS

LEGACY ITEM #	NEW ITEM #	LIST PRICE USD	DESCRIPTION	INLET/OUTLET/OUTLET
<b>PLASTIC DUCT YS, ADJUSTABLE BAFFLE</b>				
228700075	9108549965	\$130.00	TRANSITION ABS "Y" DUCT 3/3/3	
228700105	9108549993	\$130.00	TRANSITION ABS "Y" DUCT 4/3/3	
228700078	9108549968	\$130.00	TRANSITION ABS "Y" DUCT 4/4/2	
228700064	9108549955	\$130.00	TRANSITION ABS "Y" DUCT 4/4/3	
228700065	9108549956	\$130.00	TRANSITION ABS "Y" DUCT 4/4/4	
228700057	9108549949	\$130.00	TRANSITION ABS "Y" DUCT 5/4/3	
228700082	9108549972	\$130.00	TRANSITION ABS "Y" DUCT 5/4/4	
228700069	9108549960	\$130.00	TRANSITION ABS "Y" DUCT 5/5/3	
228700110	9108549997	\$130.00	TRANSITION ABS "Y" DUCT 5/5/4	
717050015	9108561913	\$130.00	TRANSITION ABS "Y" DUCT 5/5/5	
228700073	9108549963	\$130.00	TRANSITION ABS "Y" DUCT 6/4/4	
228700117	9108550003	\$130.00	TRANSITION ABS "Y" DUCT 6/5/3	
228700059	9108549951	\$130.00	TRANSITION ABS "Y" DUCT 6/5/4	
228700074	9108549964	\$130.00	TRANSITION ABS "Y" DUCT 6/5/5	
228700113	9108550000	\$130.00	TRANSITION ABS "Y" DUCT 6/6/4	
228700068	9108549959	\$130.00	TRANSITION ABS "Y" DUCT 6/6/5	
228700101	9108549989	\$130.00	TRANSITION ABS "Y" DUCT 7/5/4	
228700090	9108549980	\$130.00	TRANSITION ABS "Y" DUCT 7/5/5	
228700102	9108549990	\$130.00	TRANSITION ABS "Y" DUCT 7/6/4	
VHY765	9108533201	\$130.00	TRANSITION ABS "Y" DUCT 7/6/5	
228700112	9108549999	\$130.00	TRANSITION ABS "Y" DUCT 7/6/6	
717050021	9108561918	\$130.00	TRANSITION ABS "Y" DUCT 7/7/3	
VHY774	9108533203	\$130.00	TRANSITION ABS "Y" DUCT 7/7/4	
228700054	9108549947	\$130.00	TRANSITION ABS "Y" DUCT 8/6/6	
228700168	9108755113	\$130.00	TRANSITION ABS "Y" DUCT 8/8/8	

Mobile living made easy.

LEGACY ITEM #	NEW ITEM #	LIST PRICE USD	DESCRIPTION	INLET/OUTLET/OUTLET
<b>PLASTIC BLOWER TS, ADJUSTABLE BAFFLE (MOUNTS OVER EXISTING HOSE ADAPTER)</b>				
228700060	9108549952	\$130.00	TRANSITION ABS "T" BLOWER 4/4/4	
228700076	9108549966	\$130.00	TRANSITION ABS "T" BLOWER 5/4/3	
228700153	9108690053	\$130.00	TRANSITION ABS "T" BLOWER 5/4/4	
228700148	9108687364	\$130.00	TRANSITION ABS "T" BLOWER 5/5/3	
228700154	9108690054	\$130.00	TRANSITION ABS "T" BLOWER 6/4/4	
228700140	9108685839	\$130.00	TRANSITION ABS "T" BLOWER 6/5/3	
228700145	9108687354	\$130.00	TRANSITION ABS "T" BLOWER 6/5/4	
228700083	9108549973	\$130.00	TRANSITION ABS "T" BLOWER 6/5/5	
228700139	9108685299	\$130.00	TRANSITION ABS "T" BLOWER 6/6/3	
228700160	9108690739	\$130.00	TRANSITION ABS "T" BLOWER 6/6/6	
228700066	9108549957	\$130.00	TRANSITION ABS "T" BLOWER 7/5/4	
228700111	9108549998	\$130.00	TRANSITION ABS "T" BLOWER 7/5/5	
228700058	9108549950	\$130.00	TRANSITION ABS "T" BLOWER 7/6/4	
228700091	9108549981	\$130.00	TRANSITION ABS "T" BLOWER 7/6/5	
228700094	9108549984	\$130.00	TRANSITION ABS "T" BLOWER 7/6/6	
228700157	9108690058	\$130.00	TRANSITION ABS "T" BLOWER 7/7/4	
<b>PLASTIC BLOWER YS, ADJUSTABLE BAFFLE</b>				
228700087	9108549977	\$130.00	TRANSITION ABS "Y" BLOWER 4/4/3	
228700086	9108549976	\$130.00	TRANSITION ABS "Y" BLOWER 4/4/4	
228700084	9108549974	\$130.00	TRANSITION ABS "Y" BLOWER 5/4/4	
228700055	9108549948	\$130.00	TRANSITION ABS "Y" BLOWER 5/5/3	
228700063	9108549954	\$130.00	TRANSITION ABS "Y" BLOWER 5/5/4	
228700079	9108549969	\$130.00	TRANSITION ABS "Y" BLOWER 6/4/4	
228700156	9108690057	\$130.00	TRANSITION ABS "Y" BLOWER 6/5/4	
228700109	9108549996	\$130.00	TRANSITION ABS "Y" BLOWER 6/5/5	
228700126	9108550011	\$130.00	TRANSITION ABS "Y" BLOWER 6/6/4	
228700155	9108690056	\$130.00	TRANSITION ABS "Y" BLOWER 7/5/5	
228700096	9108549986	\$130.00	TRANSITION ABS "Y" BLOWER 8/6/6	

## DUCTING & PLENUMS

LEGACY ITEM #	NEW ITEM #	LIST PRICE USD	DESCRIPTION
<b>ALUMINUM MOUNT RINGS</b>			
228700509	9108690968	\$80.00	RING ALM 6" ROUND EBO16
228701041	9108700414	\$105.00	RING ALM DUCT 7" HC-7
228700162	9108691326	\$115.00	RING ALM DUCT 9" HC-9
228701007	9108728470	\$155.00	RING ALM 9" ROUND EBOH24
228700213	9610000013	\$200.00	RING ALM DUCT 9"MR W/FLANGE 24K HV BLOWER (2054310) REU24
228700171	9108782168	\$190.00	RING ALM DUCT 10"MR W/FLANGE EBE30
228700180	9108831780	\$115.00	RING ALM DUCT 10"MR W/BASE EBO30/36
228700147	9108687359	\$170.00	RING ALM 10"OB W/RECTANGULAR BASE
<b>PLASTIC BLOWER MOUNT RINGS</b>			
228701001	9108550020	\$35.00	MOUNT RING ABS DCT 4"MR CL5HV/VC5K
291617126	9108552389	\$55.00	MOUNT RING ABS DCT ASY 6"MR 16K
228700211	9610000010	\$21.00	BLOWER MOUNT RING 5", 4/6K
228700221	9610000031	\$135.00	RING ABS TRANS 5" WITH TV6 BASE
228701002	9108550021	\$31.00	MOUNT RING ABS DCT 5"MR VC5K W/BASE
228700209	9610000008	\$23.00	BLOWER MOUNT RING 6", 6/8K
228700210	9610000009	\$26.00	BLOWER MOUNT RING 7", 16/18K
228701031	9108550028	\$38.00	MOUNT RING ABS DCT 7"MR VR/VC16KHV
228701033	9108550030	\$120.00	MOUNT RING ABS DCT 8"MR VC18HV/AH16D
228700229	9610000044	\$130.00	MOUNT RING ABS DCT 8"MR 16HV W/BASE
228701027	9108550026	\$135.00	MOUNT RING ABS DCT 8"MR 24K W/BASE
228700137	9108681199	\$65.00	MOUNT RING ABS TRANS 8"MR DCU27
336026	9108690441	\$100.00	MOUNT RING ADAPT "L" 3" 90 DEGREE
290336025	9610000077	\$100.00	MOUNT RING ADAPT "L" 4" 90 DEGREE
228700172	9108783531	\$100.00	TRANS ABS ELBOW 5" 90 DEGREE HOSE
228700173	9108785094	\$100.00	TRANS ABS ELBOW 6" 90 DEGREE HOSE
228700170	9108778606	\$100.00	TRANS ABS ELBOW 8" 90 DEGREE BLOWER

Mobile living made easy.

LEGACY ITEM #	NEW ITEM #	LIST PRICE USD	DESCRIPTION
<b>PLASTIC/ALUMINUM TRANSITION RINGS/HOSE ADAPTERS</b>			
228700010	9108549929	\$21.00	TRANSITION RING, ABS 3"
228700011	9108549930	\$21.00	TRANSITION RING, ABS 4" 6K
228700012	9108549931	\$21.00	TRANSITION RING, ABS 5"
228700013	9108549932	\$21.00	TRANSITION RING, ABS 6"
228700018	9108549937	\$21.00	TRANSITION RING, ABS 7"
228700004	9108549925	\$38.00	TRANSITION RING, ABS 4" MNTD TO 5" TRNS
228700127	9108550012	\$28.00	TRANSITION RING, ABS 4" W/PUSH RIVETS 6K
228700128	9108550013	\$25.00	TRANSITION RING, ABS 5" W/PUSH RIVET 8K
228700129	9108550014	\$25.00	TRANSITION RING, ABS 6" W/PUSH RIVET 10-12K
228700130	9108550015	\$27.00	TRANSITION RING, ABS 7" W/PUSH RIVET 14-16K
228700137	9108681199	\$65.00	TRANSITION RING, ABS 8" W/PUSH RIVET
228700014	9108549933	\$27.00	TRANSITION RING, ABS 3" OBLONG
228700015	9108549934	\$27.00	TRANSITION RING, ABS 4" OBLONG
228700222	9610000033	\$27.00	TRANSITION RING, ABS 5" OBLONG
228700132	9108550017	\$70.00	TRANSITION RING, ABS 5" OB W/PUSH RVTS
228700017	9108549936	\$27.00	TRANSITION RING, ABS 6" OBLONG
228700019	9108549938	\$29.00	TRANSITION RING, ABS 7" OBLONG
228700212	9610000012	\$105.00	TRANSITION RING, ALM 10"

## DUCTING & PLENUMS

LEGACY ITEM #	NEW ITEM #	LIST PRICE USD	DESCRIPTION
<b>T-BOXES (A.K.A. T-BOX BLOWER PLENUMS)</b>			
<i>FIRST NUMBER IN MODEL IS THE UNIT SIZE (10/12 = 10&amp;12K), SECOND SET OF NUMBERS ARE DUCT SIZE CONNECTIONS. ALL TRANSITION BOXES ARE ABS PLASTIC. NOTE: THE 7T IS 7" HIGH AND THE 10/12T &amp; 16T ARE BOTH 8" HIGH.</i>			
231100515	9108550896	\$155.00	7T-BX VC7/E6 UNIVERSAL
231100170	9108550889	\$155.00	7T-BX 5/4 VC7/E6
231100510	9108550895	\$155.00	10/12T-BX VC10/12 UNIVERSAL
231100150	9108550886	\$155.00	10/12T-BX 5/4 VC10/12
231100500	9108550893	\$250.00	16T-BX VC16 UNIVERSAL
231100130	9108550880	\$180.00	16T-BX 6/4 VC16
<i>*ALSO AVAILABLE: CUSTOM ALUM BOX, 50-150 SQUARE INCH.            *SEE THE CUSTOM PLENUM REQUEST FORM ON THE NEXT PAGE. ALL PRICES INCLUDE TWO RINGS.            *IF INTERESTED IN THESE ITEMS, PLEASE CONTACT YOUR MARINE AIR SALES REPRESENTATIVE.</i>			

Mobile living made easy.

# CUSTOM PLENUM REQUEST

Date: \_\_\_\_\_ Requester: \_\_\_\_\_ Customer Order No: \_\_\_\_\_  Quote Only  
 Customer: \_\_\_\_\_ NPR# \_\_\_\_\_  
 Date NPR Information Needed: \_\_\_\_\_ Time NPR Information Needed: \_\_\_\_\_  
 1st Ship Date: \_\_\_\_\_ Quantity: \_\_\_\_\_ Forecast: Per Month \_\_\_\_\_ Per Year \_\_\_\_\_  
 NPR Level: A Target List: \$ \_\_\_\_\_ Replacing/Obsoleting: \_\_\_\_\_

PRODUCT DEFINITION:

SKU:

Item Number:	Lead Time:	Days	Prod Code:	Estimated Prime : \$			
List Prices:	21) \$	22) \$	23) \$	24) \$	25) \$	26) \$	27) \$

Description:  
 Extra Description:

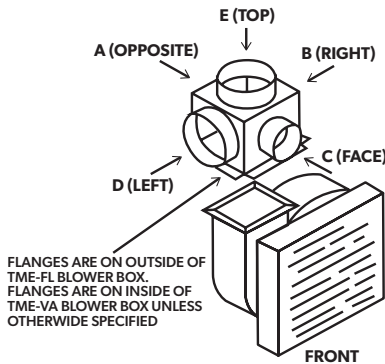
Revision A: \_\_\_\_\_ Date: \_\_\_\_\_  
 Revision B: \_\_\_\_\_ Date: \_\_\_\_\_  
 Revision C: \_\_\_\_\_ Date: \_\_\_\_\_

Specify blower size for blower plenums or dimensions for grille plenums, and ring sizes for each side of box.

### BLOWER PLENUM

BLOWER SIZE \_\_\_\_\_  
 E-TOP \_\_\_\_\_  
 D-LEFT \_\_\_\_\_  
 B-RIGHT \_\_\_\_\_  
 C-FACE \_\_\_\_\_  
 A-OPPOSITE \_\_\_\_\_

- Check if blower is to be rotated.  
 Check if HV blower.

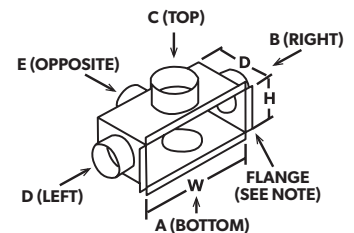


### GRILLE PLENUM

WIDTH \_\_\_\_\_  
 HEIGHT \_\_\_\_\_  
 DEPTH \_\_\_\_\_  
 C-TOP \_\_\_\_\_  
 A-BOTTOM \_\_\_\_\_  
 E-OPPOSITE \_\_\_\_\_  
 D-LEFT \_\_\_\_\_  
 B-RIGHT \_\_\_\_\_

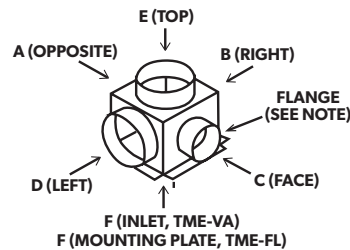
FLANGE - See notes below.

- To Accommodate Alum Grille -  VH  VML  
 To Accommodate Wood Grille -  VH  VML



### BOX PLENUM

F - INLET/PLATE \_\_\_\_\_  
 E-TOP \_\_\_\_\_  
 D-LEFT \_\_\_\_\_  
 B-RIGHT \_\_\_\_\_  
 C-FACE \_\_\_\_\_  
 A-OPPOSITE \_\_\_\_\_



FO-730-007 Revision: H

**SKETCH PLENUM HERE (SEE NOTES)**

NOTES:  
 1) Show diverter placement and division of air flow, ring size and location, and any other unique characteristics.  
 2) Standard box depth is 4.50" for vacuum formed plastic (TME-FL ONLY). Otherwise, box depth is 1/4" deeper than ring size on side of plenum.  
 3) Flanges are standard on TME-FL Plenums, but optional on TME-VAs. Specify TME-VA Flanges by circling choice below:

WIDTH - HEIGHT - BOTH

## INSTALLATION ACCESSORIES

LEGACY ITEM #	NEW ITEM #	LIST PRICE USD	DESCRIPTION
<b>TUBE INSULATION</b>			
290000008	290000008	\$18.00	INSULATION TUBE, 3/8" ID X 3/8" WALL, 6 FT. LENGTH
290336120	290336120	\$25.00	INSULATION TUBE, 3/4" ID X 1/2" WALL, 6 FT. LENGTH
298001319	298001319	\$290.00	INSULATION MASTIC COATING, 1 GALLON WITH MSDS SHEET
<b>CONDENSATE DRAIN FITTINGS, PLASTIC</b>			
1052708	1052708	\$12.00	DRAIN FITTING, 90°, 3/8" MPT X 1/2" HOSE
290000257	4471000349	\$15.00	DRAIN FITTING, 90°, 3/8" MPT X 5/8" HOSE
<b>REFRIGERANT FITTINGS</b>			
290000109	290000109	\$14.00	FLARE NUT, 1/4"
290000188	290000188	\$16.00	FLARE NUT, 3/8"
290000083	290000083	\$16.00	FLARE NUT, 1/2"
290000107	290000107	\$34.00	FLARE NUT, 3/4"
3120606	3120606	\$7.00	FLARE NUT REDUCING, 3/8" FLARE TO 1/4" TUBE
3120308	3120308	\$7.00	FLARE NUT REDUCING, 1/2" FLARE TO 3/8" TUBE
3120904	3120904	\$8.12	FLARE TEE, 1/4" X 1/4" X 1/4"
3121006	3121006	\$25.00	FLARE TEE, 3/8" X 3/8" X 3/8"
3121808	3121808	\$29.00	FLARE TEE, 1/2" X 1/2" X 1/2"
3130104	3130104	\$39.00	FLARE TEE REDUCING, 3/8" X 1/4" X 1/4"
3131006	3131006	\$26.00	FLARE TEE REDUCING, 1/2" X 3/8" X 3/8"
3131007	3131007	\$33.00	FLARE TEE REDUCING, 5/8" X 3/8" X 3/8"
3120400	3120400	\$49.00	FLARE TEE REDUCING, 3/4" X 1/2" X 1/2"

Mobile living made easy.



LEGACY ITEM #	NEW ITEM #	LIST PRICE (USD)	DESCRIPTION
<b>KRA 400 SERIES TITANIUM CONDENSING UNITS - R404A</b>			
754000430	9108923500	\$3,190.00	KRA433X 1161 SINGLE NO ELECTRIC BOX WATER COOL ONLY
754000450	9600002986	\$3,190.00	KRA433X 2251 SINGLE NO ELECTRIC BOX WATER COOL ONLY
754000439	9108920738	\$3,845.00	KRA433X 1161 SINGLE NO ELECTRIC BOX
754000440	9108920739	\$3,845.00	KRA433X 2361 SINGLE NO ELECTRIC BOX
754000448	9600003085	\$3,865.00	KRA433X 2251 SINGLE NO ELECTRIC BOX
754000435	9108918253	\$4,375.00	KRA433X 1161 MULT2 WITH ELECTRIC BOX
754000441	9108923048	\$4,375.00	KRA433X 2361 MULT2 WITH ELECTRIC BOX
754000443	9108923052	\$4,375.00	KRA433X 2251 MULT2 WITH ELECTRIC BOX
754000444	9600003308	\$4,855.00	KRA450X 1161 SINGLE NO ELECTRIC BOX
754000465	9108918499	\$4,855.00	KRA450X 2361 SINGLE NO ELECTRIC BOX
754000461	9108922932	\$5,365.00	KRA450X 1161 MULT3 WITH ELECTRIC BOX
754000462	9108917961	\$5,365.00	KRA450X 2361 MULT3 WITH ELECTRIC BOX
754000446	9108923051	\$5,365.00	KRA450X 2251 MULT3 WITH ELECTRIC BOX
SINGLE BOX USES LINE DUTY; DUAL BOX USES 12/24V CONTROLS			

## KRA CONTROL KITS

### 115/230V KIT CONTROL USED ON SINGLE BOX KRA UNITS

754000434	9108919327	\$310.00	THERMOSTAT 115/230V WITH SENSOR: HP/LP INPUTS ENABLED (R404A UNITS)
754000449	9600003791	\$330.00	THERMOSTAT 115/230V WITH 40' SENSOR: HP/LP INPUTS ENABLED (R404A UNITS)
754000468	9600005354	\$265.00	THERMOSTAT 115/230V NO SENSOR: HP/LP INPUTS ENABLED (R404A UNITS)
758000026	9600006022	\$240.00	REPLACEMENT TEMP CONTROL 115/230 PROGRAMMED

NOTE: IF ABOVE CONTROL 758000026 IS REPLACING A LOVE CONTROL, THE TEMP SENSOR WILL ALSO NEED TO BE REPLACED.

## KRA

LEGACY ITEM #	NEW ITEM #	LIST PRICE (USD)	DESCRIPTION
754000424	9108851033	\$310.00	THERMOSTAT 115/230V WITH SENSOR (R134A UNITS)
754000423	9108851032	\$385.00	THERMOSTAT 115/230V WITH COMMUNICATION & SENSOR (R134A UNITS)
<b>12/24V KIT CONTROL USED ON DUAL BOX KRA UNITS</b>			
754000438	9108919325	\$310.00	THERMOSTAT 12/24V WITH SENSOR: HP/LP INPUTS ENABLED (R404A UNITS)
754000437	9108919324	\$385.00	THERMOSTAT 12/24V WITH COMM. & SENSOR: HP/LP INPUTS ENABLED R404A UNITS)
754000428	9108852341	\$310.00	THERMOSTAT 12/24V WITH SENSOR (R134A UNITS)
754000427	9108852340	\$385.00	THERMOSTAT 12/24V WITH COMMUNICATION & SENSOR (R134A UNITS)
758000024	9108894040	\$240.00	REPLACEMENT TEMP CONTROL 12/24V PROGRAMMED
*IT IS NOW MANDATORY THAT A SUCTION LINE FILTER DRIER (PN #298002018) BE INSTALLED WHEN REPLACING AN EXISTING KRA CONDENSING UNIT. THE FILTER MUST BE INSTALLED OR THE WARRANTY WILL BE VOID.			

LEGACY ITEM #	NEW ITEM #	LIST PRICE (USD)	DESCRIPTION
<b>TX VALVE ASSEMBLIES R404A</b>			
754000456	9108850601	\$460.00	TXV ASSEMBLY, KRA4XX - NO FITTINGS
754000454	9108849808	\$640.00	TXV ASSEMBLY, KRA4XX 3/8"XQDX3/8" - 1/4"MFL SHORT
754000466	9108922497	\$665.00	TXV ASSEMBLY, KRA4XX-QDXQD SHRT
NOTES: ORDER 753000128 (A-137) THERMISTOR COVER ON ABOVE T-STATS.			
<b>TX VALVE ASSEMBLIES R134A</b>			
754000114	9108691310	\$295.00	TXV ASSEMBLY, 1/4HP, R134A ONLY KRA025
754000115	9108698798	\$295.00	TXV ASSEMBLY, 1/2HP, R134A ONLY KRA050
754000113	9108690786	\$315.00	TXV ASSEMBLY, 3/8HP, R134A ONLY KRA038

Mobile living made easy.

LEGACY ITEM #	NEW ITEM #	LIST PRICE (USD)	DESCRIPTION
<b>SOLENOID MANIFOLDS</b>			
<b>12VDC</b>			
238100083	9108886142	\$575.00	LLYA 12V SOLND 1/4MX6"STUBS@2
238100090	9108923765	\$685.00	LLYA 12V 404A SOLND 90D 1/4MQD
238100098	9600003188	\$925.00	LLYA 12V "T" 404A SOLND 1/4FQD
238100059	9108781353	\$1,065.00	FTG SPL 3/8MQ16X3@1/4FQ 404SV
<b>115V</b>			
238100034	9108726711	\$595.00	LLYA 115V 134A SOLND 1/4MX1/4F
238100117	9600006092	\$620.00	LLYA 115V 3/8MQDX9"STUBS
<b>SUCTION CHECK VALVES SPLITTERS R404A</b>			
238100088	9108919754	\$570.00	FTG SPL 3/8FQ16X(2)3/8MQ 404CV
238100060	9108781367	\$685.00	FTG SPL 3/8FQ16X(3)3/8MQ 404CV
238100067	9108790201	\$655.00	FTG SPL 3/8FQ16X(3)3/8MF 404CV
<b>LIQUID LINES - R404A</b>			
221200993	9600003894	\$230.00	LLA 2' 1/4MQDXFQD INS 404A
221200949	9108922534	\$240.00	LLA 4' 1/4MQDXFQD INS 404A
238100092	9108923770	\$340.00	LLA 5' 1/4MQDXFQD INS R404A
238100091	9108923769	\$345.00	LLA 6' 1/4MQDXFQD INS 404A
221200996	9600004084	\$355.00	LLA 18' 1/4MQDXFQD INS 404A
221200950	9108922536	\$370.00	LLA 25' 1/4MQDXFQD INS 404A
<b>SUCTION LINES - R404A</b>			
221200991	9600003893	\$230.00	SLA 2' 3/8 MQDXFQD INS 404
221200888	9108886980	\$240.00	SLA 4' 3/8MQDXFQD INS 404A
221201001	9600005033	\$340.00	SLA 5' 3/8MQDXFQD INS 404A
221200909	9108913538	\$345.00	SLA 6' 3/8MQDXFQD INS 404A
221200537	9108693231	\$365.00	SLA 18' 3/8MQDXFQD INS 404A
221200951	9108922537	\$370.00	SLA 25' 3/8MQDXFQD INS 404A
221201020	9600010272	\$485.00	SLA 45' 3/8MQDXFQD INS 404A

## KRA

LEGACY ITEM #	ITEM #	LIST PRICE (USD)	DESCRIPTION
<b>LIQUID LINES - R134A</b>			
221200553	9108696549	\$395.00	LLPA48, LIQUID LINE W/ CPV, 48" COPPER
221200629	9108737630	\$445.00	LLPA72, LIQUID LINE W/ CPV, 72" COPPER
221200559	9108697950	\$525.00	LLPA216, LIQUID LINE W/ CPV, 216" COPPER
221200540	9108693326	\$580.00	LLPA300, LIQUID LINE W/ CPV, 300" COPPER
<b>SUCTION LINES - R134A</b>			
221200589	9108731174	\$205.00	SLA24, SUCTION LINE, INSULATED, 24", COPPER
221200543	9108693584	\$220.00	SLA48, SUCTION LINE, INSULATED, 48", COPPER
221200571	9108706815	\$225.00	SLA60, SUCTION LINE, INSULATED, 60", COPPER
221200513	9108691279	\$240.00	SLA72, SUCTION LINE, INSULATED, 72", COPPER
221200516	9108691335	\$255.00	SLA96, SUCTION LINE, INSULATED, 96", COPPER
221200636	9108750110	\$255.00	SLA120, SUCTION LINE, INSULATED, 120", COPPER
221200541	9108693579	\$345.00	SLA216, SUCTION LINE, INSULATED, 216", COPPER
221200544	9108693585	\$395.00	SLA300, SUCTION LINE, INSULATED, 300", COPPER
<b>OTHER KRA ACCESSORIES</b>			
290000093	290000093	\$75.00	1/4" FEMALE QUICK-CONNECT (#5505-04B-06)
290000106	290000106	\$75.00	1/4" MALE QUICK-CONNECT (#5502-04B-06)
290000261	4471000367	\$75.00	3/8" FEMALE QUICK-CONNECT (#5505-06B-06)
290000187	290000187	\$75.00	3/8" MALE QUICK-CONNECT (#5502-06B-06)
753000129	9108691339	\$65.00	A-137S STAINLESS THERMISTOR COVER WITH SCREWS AND LABEL
758002006	9108690528	\$375.00	CONDENSING UNIT RELAY 115V, 2 TRIGGERS
290000127	290000127	\$115.00	CONSTANT PRESSURE VALVE, PRE-SET @3PSI
221200545	9108694017	\$230.00	CPV, CONSTANT PRESSURE VALVE WITH QC & FLARE CONNECTIONS
4062303	4062303	\$365.00	ETC ELECTRONIC T-STAT, 120/230V, 2-STAGE
336863	336863	\$38.00	NTC BULB TEMP SENSOR 10FT
337423	337423	\$46.00	NTC BULB TEMP SENSOR 20FT

Mobile living made easy.

LEGACY ITEM #	ITEM #	LIST PRICE (USD)	DESCRIPTION
337453	337453	\$80.00	NTC BULB TEMP SENSOR 40FT
259000041	9108922056	\$200.00	PJA28X12-S, PLATE JUMPER, SS, 28" WIDE, 12" LEGS
238100035	9108726713	\$285.00	SLYA, SUCTION LINE SPLITTING ASSY
REPLACEMENT PARTS			
722400012	722400012	\$50.00	A-556, MOV SURGE SUPPRESSOR (BLUE)
290000242	4471000332	\$430.00	COIL CONDENSER AIR KR 1/4 & 3/8
298001127	298001127	\$345.00	COIL CONDENSER WATER KRA 1/4 & 3/8
290336824	4471000213	\$645.00	COMPRESSOR, REFRIG, 1/4HP, TECUMSEH, 115V 60HZ
290338132	4471000212	\$635.00	COMPRESSOR, REFRIG, 1/4HP, TECUMSEH, 220V 50HZ
290336825	4471000215	\$595.00	COMPRESSOR, REFRIG, 3/8HP, TECUMSEH, 115V 60HZ
290000248	4471000338	\$320.00	FAN AXIAL KR025, 038 050, 425, 450 230V 50/60HZ
290000089	290000089	\$315.00	FAN AXIAL KR025, 038, 425, 450 115VAC
290000279	4471000676	\$55.00	GLASS SIGHT MOISTURE INDICATOR, SWEAT
044900	TBD	\$31.00	OVERLOAD FOR 1/4HP & 3/8HP KRA COMPS, AEA2410, 2413
290000225	4471000290	\$245.00	RECEIVER/FILTER, 3/8" OD SOLDER, 8" TALL (KRA UNITS)
4040295	4040295	\$43.00	START CAP FOR 1/2HP KRA COMPRESSOR, AJA2419
336669	336669	\$26.00	START CAP FOR 1/4HP & 3/8HP KRA COMPS, AEA2410, 2413
4129010	4129010	\$75.00	START RELAY FOR 1/4HP & 3/8HP KRA COMPS, AEA2410, 2413
290331342	4471000115	\$130.00	REPL TRANS MAGNETEK FD8-16
290000132	290000132	\$160.00	TXV 1/2HP KRA050
290000130	290000130	\$160.00	TXV 1/4HP KRA025
290000131	290000131	\$160.00	TXV 3/8HP KRA038

## ADLER BARBOUR

LEGACY ITEM #	NEW ITEM #	LIST PRICE (USD)	DESCRIPTION
<b>CONDENSING UNITS</b>			
755400000	9108777973	\$1,320.00	CU-100, COLDMACHINE, SELF-SEAL QC, AIR COOLED, 12VDC
755410000	9108777974	\$1,470.00	CU-200, SUPERCOLDMACHINE, SELF-SEAL QC, WATER/AIR COOLED, 12VDC
755401001	9105306623	\$1,180.00	50 SERIES, HORIZONTAL, LONG LAYOUT, 12/24VDC, AIR COOLED ONLY
CU-55-W01-B	9105306624	\$1,180.00	50 SERIES, SQUARE LAYOUT, 12/24VDC, AIR COOLED ONLY
CU-84-W01-B	9105306597	\$2,500.00	80 SERIES, HORIZONTAL LAYOUT, 12/24VDC, AIR COOLED ONLY
CU-85-W01-B	9105306598	\$1,250.00	80 SERIES, SQUARE LAYOUT, 12/24VDC, AIR COOLED ONLY
CU-86-W01-B	9105306599	\$1,250.00	80 SERIES, VERTICAL OR WALL MOUNT LAYOUT, 12/24VDC, AIR COOLED ONLY
<b>EVAPORATORS</b>			
<b>COLDMACHINE™ AND SUPERCOLDMACHINE™ (TO BE USED WITH THE CU-100 &amp; CU-200 ONLY)</b>			
755500000	9600026331	\$1,370.00	VD-150, SMALL VERTICAL EVAP., WITHOUT DOOR, SELF-SEAL QC
755510000	9600026332	\$735.00	VD-151, SMALL HORIZONTAL EVAP., WITH DOOR, SELF-SEAL QC
755520000	9108777975	\$845.00	VD-152, LARGE VERTICAL EVAP., WITHOUT DOOR, SELF-SEAL QC
755530000	9108777977	\$845.00	VD-153, LARGE HORIZONTAL EVAP., WITH DOOR, SELF-SEAL QC
755560000	9108777978	\$2,030.00	VD-160, POWER PLATE EVAP W/ ANALOG THERMOSTAT, SELF-SEAL QC
293600973	9108848624	\$445.00	VD-160 TUBESET, QD'S, ONE SHOT
<b>50 SERIES (TO BE USED WITH THE 50 SERIES ONLY)</b>			
755400111	9105306625	\$275.00	L-SHAPED EVAP, HORIZONTAL AND VERTICAL INSTALLATION
755400101	9105306627	\$310.00	PLATE EVAP, HORIZONTAL AND VERTICAL INSTALLATION
755400106	9105306628	\$270.00	STANDARD O-SHAPED EVAP, HORIZONTAL AND VERTICAL INSTALLATION
<b>80 SERIES (TO BE USED WITH THE 80 SERIES ONLY)</b>			
755400107	9105306612	\$245.00	VD15 HIGH-PERFORMANCE FORCED AIR EVAP.**
VD-08-W01-B	9105306607	\$1,035.00	VD-08 L SHAPED EVAP, REFRIGERATOR OR FREEZER UP TO 2.5 CU.FT.
755400100	9105306608	\$1,000.00	VD-09 LARGE-SIZED EVAP, HORIZONTAL AND VERTICAL INSTALLATION
755400105	9105306605	\$330.00	VD-05 PLATE EVAP, HORIZ./VERT.INSTALL, 1"D X 14.8"W X 13.7" H
<b>NOTES:</b>			
1. THE VD-15 IS SUITED LARGE COOLING VOLUMES AND HIGH AMBIENT TEMPERATURES.			
2. COMES WITH WHITE PLASTIC HOUSING WITH BRUSHLESS FAN.			

Mobile living made easy.

LEGACY ITEM #	NEW ITEM #	LIST PRICE (USD)	DESCRIPTION
<b>KITS</b>			
C8075	9108777960	\$320.00	BOOSTER BLOW DUCT KIT CU-100
C8350	9108777961	\$820.00	COOL WATER KIT WITH 12V PUMP CU-200
755401003	9105306593	\$1,170.00	CS-NC-15 COMPACT COMPRESSOR COOLING KIT
C8079	9108783497	\$220.00	VENT DUCT KIT CU-100
C8070	9108783496	\$220.00	VENT DUCT KIT CU-200
<b>ACCESSORIES</b>			
755570000	9108777976	\$275.00	ADAPTER - ONE SHOT NEW QCS*
290000217	4471000211	\$90.00	COND, Z3281 FAN 12VDC (CU-100 AND CU-200)
290000093	290000093	\$75.00	COUPLING, QC, 1/4" FEMALE, SIZE 4
290000187	290000187	\$75.00	COUPLING, QC, 3/8" MALE, SIZE 4
TBD	TBD	CALL FOR PRICE	FAN, MINI Z5020 12VDC, SPILLOVER 1" DEEP (336567 LEGACY ITEM #)
C9617-RC4	9108783513	\$395.00	LINESET EXTENSION, QC, 5FT, SIZE 4
298001526	9108886237	\$330.00	MODULE 101N0213 STANDARD
290000317	4471002805	\$160.00	MODULE 101N0230 HARD START
339624	339624	\$325.00	MODULE 101N0340 RFI
290000317	4471002805	\$160.00	PCB STUFFED F1886 (CU-100 AND CU-200)
C7210	9108777967	\$430.00	SPILL-OVER FAN KIT, ANALOG CONTROL
F1701	9108777970	\$120.00	TRAY VERTICUBE ICE CUBE W/ POLYGRID INSERTS
8141430	8141430	\$9.32	TRAY Z3301 ICE CUBE - HORIZONTAL
8141431	8141431	\$18.00	TRAY Z3302 POLYGRID VERTICUBE
C1502JR1500	9108777971	\$210.00	T-STAT ASM ANALOG, WITH 1500 OHM RESISTOR (ALL VD'S FREEZER)
290000183	4471000109	\$40.00	T-STAT D8072 SPILL-OVER, YELLOW DOT
290000181	4471000105	\$40.00	T-STAT E1391 POWERPLATE/FREEZER, WHITE DOT
F1710JR680	9108777969	\$185.00	T-STAT LARGE EVAP ANALOG, W/680 OHM RESISTOR (VD-152 AND VD-153)
F1710JR270	9108777972	\$170.00	T-STAT SMALL EVAP ASM ANALOG, WITH 270 OHM RESISTOR (VD-150 AND VD-151)
4060204	4060204	CALL FOR PRICE	T-STAT Z3202 REFRIGERATOR, BLUE DOT

\*NOTE: IF BUYING A NEW EVAPORATOR WITH NEW QCS TO USE WITH AN OLDER CONDENSING UNIT, YOU MUST PURCHASE ONE-SHOT ADAPTER

## ESKIMO ICE

ITEM	NEW ITEM #	LIST PRICE (USD)	DESCRIPTION
<b>ESKIMO ICE TITANIUM UNITS WITH DIGITAL CONTROLS</b>			
252000070	9108919882	\$24,115.00	EI1000X/2-230V DIGITAL CONTROL
252000071	9108920741	\$24,470.00	EI1000X/2-220V DIGITAL CONTROL
252000060	9108919705	\$14,655.00	EI540X-115V DIGITAL CONTROL
252000061	9108917152	\$15,180.00	EI540X-230V DIGITAL CONTROL
252000062	9108919418	\$15,165.00	EI540X-220V DIGITAL CONTROL

ESKIMO ICE	EI540			EI1000	
<b>EI540 &amp; EI1000 REPLACEMENT PARTS</b>					
SERVICE PARTS & ACCESSORIES	115V	230V	220V	230V	220V
EI 35' HOSE KIT	252000620	252000620	252000620	252000620	252000620
EI 15' HOSE KIT	252000621	252000621	252000621	252000621	252000621
BEARING, ASSEMBLY TOP	4037055	4037055	4037055	CALL FOR P/N	CALL FOR P/N
BEARING, ASSEMBLY BOTTOM	4037060	4037060	4037060	CALL FOR P/N	CALL FOR P/N
CAPACITOR, RUN	N/A	290000101	290000101	N/A	N/A
CAPACITOR, START	4037067	290330559	290330559	290000053	N/A
CIRCUIT BOARD	252000131	252000131	252000133	252000147	252000147
COMPRESSOR	298001830	293045691	293045695	252000116	336488*
OVERLOAD	4037069	4037072	4037075	CALL FOR P/N	CALL FOR P/N
SWITCH, ROCKER RESET BUTTON	252000623	252000623	252000623	252000623	252000623
DISPLAY, DIGITAL ESKIMO ICE2	252000150	252000150	252000150	252000150	252000150
GEAR BOX ASSY WITH MOTOR	252000142	252000140	252000140	290340951	
RELAY START GEAR MOTOR	CALL FOR P/N	4037066	4037066	N/A	N/A
RELAY START COMPRESSOR	4037068	290339860	290339860	339883	
SWITCH SPOUT DIGITAL	N/A	N/A	N/A	252000157	
SPOUT EXTENSION FOR CURRENT EI540 UNITS	252000149			N/A	

Mobile living made easy.



ESKIMO ICE	EI540			EI1000	
<b>EI540 &amp; EI1000 REPLACEMENT PARTS</b>					
SERVICE PARTS & ACCESSORIES	115V	230V	220V	230V	220V
SWITCH FLOAT SINGLE STAGE VERTICAL MOUNT			290000174		
TUBE, 6' INSULATED 1.125ID X 0.75W			226000056		
HPS SWITCH			290000196		
LPS SWITCH			290332457		
WATER RESERVOIR DIGITAL			252000119		
FILTER COLD WATER			252000157		
SENSOR PHOTO DIFFUSER W/3POS TERMINAL BLOCK			252000136		
Y-STRAINER WITH FITTINGS			252000107		
THRU-HULL ASSEMBLY			252000205		

LEGACY ITEM #	NEW ITEM #	LIST PRICE (USD)	DESCRIPTION
<b>ESKIMO ICE REPLACEMENT PARTS LIST AND PRICING</b>			
336488	TBD	CALL FOR PRICE	COMPRESSOR EI1000X 220V
339883	339883	\$45.00	RELAY START COMPRESSOR EI1000X 230V & 220V
4037055	4037055	\$600.00	BEARING, ASSEMBLY TOP EI540X
4037060	4037060	\$795.00	BEARING, ASSEMBLY BOTTOM EI540X
4037066	4037066	\$235.00	RELAY START GEAR MOTOR EI540X 230V & 220V
4037067	4037067	\$70.00	CAPACITOR, START EI540X 115V
4037068	4037068	\$43.00	RELAY START COMPRESSOR EI540X 115V
4037069	4037069	\$18.00	OVERLOAD EI540X 115V
4037072	4037072	\$19.00	OVERLOAD EI540X 230V

## ESKIMO ICE

LEGACY ITEM #	NEW ITEM #	LIST PRICE (USD)	DESCRIPTION
4037075	4037075	CALL FOR PRICE	OVERLOAD EI540X 220V
226000057	9610000081	\$29.00	TUBE, 6' INSULATED 1.125ID X 0.75W
252000107	9108550926	\$80.00	Y-STRAINER WITH FITTINGS
252000116	9108917053	\$1,530.00	COMPRESSOR EI1000X 230V
252000119	9108550928	\$355.00	WATER RESERVOIR DIGITAL
252000131	252000131	\$785.00	CIRCUIT BOARD EI540X 115V & 230V
252000133	252000133	\$745.00	CIRCUIT BOARD EI540X 220V
252000136	9108791905	\$305.00	SENSOR PHOTO DIFFUSER W/3POS TERMINAL BLOCK
252000140	252000140	\$3,110.00	GEAR BOX ASSY WITH MOTOR EI540X 230V & 220V
252000142	252000142	\$2,630.00	GEAR BOX ASSY WITH MOTOR EI540X 115V
252000147	252000147	\$785.00	CIRCUIT BOARD EI1000X 230V & 220V
252000149	252000149	\$130.00	SPOUT EXTENSION FOR CURRENT EI540 UNITS
252000150	9600000948	\$200.00	DISPLAY, DIGITAL ESKIMO ICE2
252000156	4471000670	\$25.00	SWITCH SPOUT DIGITAL
252000157	4471000697	\$385.00	FILTER COLD WATER EI540 & 1000
252000205	9108811515	\$90.00	THRU-HULL ASSEMBLY
252000620	252000620	\$500.00	HOSE KIT EI 35' EI540 & 1000
252000621	252000621	\$335.00	HOSE KIT EI 15' EI540 & 1000
252000623	252000623	\$695.00	SWITCH, ROCKER RESET BUTTON W/ COVER
290000053	290000053	\$170.00	CAPACITOR, START EI1000X 230V
290000101	290000101	\$21.00	CAPACITOR, RUN EI540X 230V & 220V
290000174	4471000093	\$60.00	SWITCH FLOAT SINGLE STAGE VERTICAL MOUNT
290000196	4471000141	\$46.00	HPS SWITCH EI540 & 1000
290330559	290330559	\$49.00	CAPACITOR, START EI540X 230V & 220V
290332457	4471000172	\$100.00	LPS SWITCH EI540 & 1000

Mobile living made easy.

LEGACY ITEM #	NEW ITEM #	LIST PRICE (USD)	DESCRIPTION
290339860	290339860	\$90.00	RELAY START COMPRESSOR EI540X 230V & 220V
290340951	290340951	\$3,590.00	GEAR BOX ASSY WITH MOTOR EI1000X 230V & 220V
293045691	293045691	\$805.00	COMPRESSOR EI540X 230V
293045695	293045695	\$835.00	COMPRESSOR EI540X 220V
298001830	298001830	\$950.00	COMPRESSOR EI540X 115V

## CONDARIA

ITEM NUMBER	NEW ITEM #	LIST PRICE USD	DESCRIPTION
<b>REPLACEMENT CHILLERS</b>			
9107510615	9107510615	\$30,090.00	PCWM 15002 2261 QSPI R410A
9107510618	9107510618	\$29,380.00	PCWM 15002 2261-SOFTST QIPI
9107510620	9107510620	\$33,000.00	PCWM 18002 2261 QSPI R410A
9107510637	4471001385	\$40,897.00	PCWM 23002 220/1/60QSPI R410A
9107510212	9107510212	\$27,395.00	PCWM/VAR 15001 2361 QIPI R410A
9107510760	9107510760	\$31,845.00	PCWM 180001 VAR 2361 CONDARIA 72K BTU
<b>PERSONAL CLIMATE CONTROL SYSTEM (SERIES 7)</b>			
<b>SERIES 7 DISPLAYS</b>			
530700050	530700050	\$445.00	PERSONAL CLIMATE DISPLAY VIMAR ARKE BLACK
530700060	9107510457	\$445.00	PERSONAL CLIMATE VIMAR ARKE WHITE
530700010	9107510452	\$445.00	PERSONAL CLIMATE VIMAR IDEA
530700040	530700040	\$445.00	PERSONAL CLIMATE VIMAR EIKON-EVO
<b>MBS 7 AND ABS 7 CONTROL BOARD WITH ENCLOSURE</b>			
530710060	530710060	\$845.00	PERSONAL CLIMATE MBS-7 10 SPEED MAIN BOARD
530710080	530710080	\$385.00	PERSONAL CLIMATE ABS-7 10 SPEED SLAVE BOARD
<b>TOP CLIMATE CONTROL SYSTEM (SERIES 3 AND SERIES 6)</b>			
<b>DISPLAYS SERIES 3 THROUGH SERIES 6</b>			
530000131	9107510472	\$420.00	TOP CLIMATE DISPLAY VIMAR IDEA (TYPE) MBS 3-6
530000200	530000200	\$445.00	TOP CLIMATE DISPLAY LIVING & LIGHT TECH (TYPE) MBS 3-6
530000110	530000110	\$415.00	TOP CLIMATE DISPLAY AXOLUTE (TYPE) MBS 3-6
<b>MBS 3-6 AND ABS3-6 CONTROL BOARD WITH ENCLOSURE</b>			
530000080	530000080	\$735.00	TOP CLIMATE MBS-3 3 SPEED MAIN BOARD
530000160	530000160	\$365.00	TOP CLIMATE ABS-3 3 SPEED SLAVE BOARD

Mobile living made easy.

ITEM NUMBER	NEW ITEM #	LIST PRICE USD	DESCRIPTION
530000090	530000090	\$625.00	TOP CLIMATE MBS-6 3 SPEED MAIN BOARD
530000100	530000100	\$440.00	TOP CLIMATE ABS-6 3 SPEED SLAVE BOARD
530000010	530000010	\$865.00	TOP CLIMATE MBS 6-10 SPEED MAIN BOARD
530000020	530000020	\$735.00	TOP CLIMATE ABS 6-10 SPEED SLAVE BOARD

### CLIMATE ORGANIZER CONTROL SYSTEM PARTS

530000132	9107510473	\$420.00	CLIMATE ORGANIZER DISPLAY BLACK (CLIO) MBS 2
530000133	530000133	\$415.00	CLIMATE ORGANIZER DISPLAY WHITE (CLIO) MBS 2
530000129	530000129	\$725.00	CLIMATE ORGANIZER (CLIO) MBS-2 3 SPEED CONTROL BOARD
530000160	530000160	\$365.00	TOP CLIMATE ABS-3 3 SPEED SLAVE BOARD

### AIR HANDLER VENTILATOR ASSEMBLIES ( CAPACITORS NOT INCLUDED)

6080620	6080620	\$810.00	JUNIOR
6080560	6080560	\$845.00	GIANT 4 & GIANT 8
6080643	6080643	\$440.00	AP M
6080640	6080640	\$570.00	AP 1 & AP3
6080650	6080650	\$590.00	AP 5
6080667	6080667	\$1,285.00	AP8 & AP 10 ( NOT INSULATED INTEND TO JUST CHANGE THE MOTOR)

### SERIES 7- 10 SPEED VENTILATOR CAPACITORS (METAL CAPACITOR WITHOUT BOX)

530080000	530080000	\$27.00	APM RUN CAPACITOR 10 SPEED (1,5 UF)
530080010	530080010	\$36.00	AP1, AP3, TWIN 12, G4, G8 8 RUN CAP. 10 SPEED (2 UF)
530080020	530080020	\$55.00	AP5, TWIN 18 RUN CAPACITOR 10 SPEED (4UF)
530080030	530080030	\$37.00	AP8, AP10 RUN CAPACITOR 10 SPEED (6UF)

## CONDARIA

ITEM NUMBER	NEW ITEM #	LIST PRICE USD	DESCRIPTION
<b>MBS 3-6 COMPATIBLE 3 SPEED CAPACITOR ASSEMBLY WITH BOX</b>			
530079000	530079000	\$245.00	AP M (3 SPEED)
530079010	530079010	\$245.00	AP 1, AP3, TWIN 12, GIANT 4, JUNIOR, GIANT 8 (3 SPEED)
530079020	530079020	\$245.00	AP 5, TWIN 18 (3 SPEED)
530079030	530079030	\$245.00	AP 8 & AP 10 (3 SPEED)
<b>MBS 3- 6 COMPATIBLE 10 SPEED CAPACITOR ASSEMBLIES:</b>			
530077040	530077040	\$170.00	AP 1, AP3, TWIN 12, JUNIOR, GIANT 4, GIANT 8 (10 SPEED)
530077050	530077050	\$170.00	AP 5, TWIN 18 (10 SPEED)
530077060	530077060	\$170.00	AP 8 AND AP 10 (10 SPEED)
<b>AIR HANDLER SENSORS</b>			
530000210	530000210	\$75.00	AIR SENSORS ALL CONDARIA AIR HANDLER CONTROLS
5330250	5330250	\$65.00	WATER SENSOR AIR HANDLERS AND CHILLERS
<b>AIR HANDLER 3 WAY VALVE</b>			
529001025	529001025	\$490.00	3 WAY 4 PORT VALVE COMPLETE CONDARIA 220V 1PH SAUTER
5302370	5302370	\$170.00	3 WAY VALVE MOTOR ONLY AXT111 JOHNSON
5302390	5302390	\$170.00	3 WAY VALVE MOTOR ONLY BUT016 ATX211 SAUTER
<b>CHILLER CONTROL BOARDS:</b>			
5330230	5330230	\$1,425.00	CHILLER ORGANIZER -2 COMPRESSOR MAIN BOARD
5330210	5330210	\$1,720.00	CHILLER ORGANIZER 2/3 -3 COMP. MAIN BOARD
5330200	5330200	\$1,720.00	CHILLER ORGANIZER 2/3 -4 COMP. MAIN BOARD
9107510153	4471000992	\$1360.00	NEW EASY CHILLER BOARD, 2 COMPRESSOR

Mobile living made easy.

ITEM NUMBER	NEW ITEM #	LIST PRICE USD	DESCRIPTION
<b>CHILLER CONTROL DISPLAYS ANS MISC. PARTS:</b>			
533000025	9107510419	\$435.00	CHILLER ORGANIZER PRIMARY DISPLAY, 1 COMPRESSOR
533000020	9107510418	\$435.00	CHILLER ORGANIZER PRIMARY DISPLAY, 2 COMPRESSOR
533000010	9107510417	\$1,455.00	CHILLER ORGANIZER 2/3 PRIMARY DISPLAY - 3 OR 4 COMP.
9107515808	4471000994	\$500.00	NEW EASY CHILLER DISPLAY 1 OR 2 COMPRESSOR (BOARD INSIDE DISPLAY ONLY)
9107515813	4471000993	\$985.00	NEW REMOTE TOP CHILLER
5330250	5330250	\$65.00	WATER AND FREEZE SENSOR CHILLERS
5240220	5240220	\$120.00	PRESSURE GAUGE CONDARIA
5270320	5270320	\$200.00	PRESSURE DIFFERENTIAL SWITCH
5270010	5270010	\$610.00	FLOW SWITCH CALEFFI 1 “
<b>PUMPS AND PUMP PARTS</b>			
6231200	6231200	\$1,830.00	PUMP SW CP 20 230V/50-60/1PH
6231203	6231203	\$2,100.00	PUMP SW CP 26 230V/50-60/1PH
6231204	6231204	\$2,550.00	PUMP SW CP 30 230V/50-60/1PH
6230260	9107511073	\$3,500.00	SEA WATER BCM22/A 230V/1/50-60
6230370	9107510420	\$1,265.00	CIRCULATION PUMP CM 22 E/R 230/60/1
6230840	9107511075	\$2,140.00	CIRCULATION PUMP NMM25/12 230V/1/50-60
6230830	6230830	\$2,390.00	SEA WATER PUMP BNMM25/12 230 60/1
6230301	6230301	\$2,510.00	SEA WATER PUMP BC41/1E 230 50-60/1
6260190	6260190	\$315.00	PUMP SEAL KIT (DIAM. 12MM) BCM20, BCM 22, NMM25
6260195	6260195	\$390.00	PUMP SEAL KIT (DIAM. 18MM) BC41 E
6260220	6260220	\$20.00	PUMP HEAD GASKET BCM 22 AND NMM25
6260300	6260300	\$28.00	PUMP HEAD GASKET BNMM25/12
6260011	6260011	\$25.00	PUMP CAPACITOR 10 MF
6260010	6260010	\$29.00	PUMP CAPACITOR 12.5 MF
6260020	6260020	\$33.00	PUMP CAPACITOR 16 MF
6260040	6260040	\$43.00	PUMP CAPACITOR 25MF

## REPLACEMENT PARTS TABLES

DTU UNIT BTU'S, VOLTAGE, AND FREQUENCY	EVAP ASSEMBLY W/ STRAINER	CONDENSER COIL ASSEMBLY	COMPRESSOR ASSEMBLY	REVERSING VALVE ASSEMBLY	BLOWER ASSEMBLY <sup>1</sup>	COMP OVER-LOAD	DRAIN PAN ASSEMBLY	DUAL RUN CAP
<b>R410A ONLY</b>								
6K 115V 60HZ	239401027	239401015	239402044	239100071	298002038	332849	239300022	290000054
8K 115V 60HZ	239401028	239401015	239402046	239100071	298002027	332849	239300022	290000066
10K 115V 60HZ	239401029	239401016	239402049	239100073	298002029	290000323	239300023	290000055
12K 115V 60HZ	239401030	239401016	239402052	239100073	298002029	4120062	239300023	290000319
16K 115V 60HZ	239401031	239401017	239402055	239100075	298002031	290000110	239300024	290337047
6K 230V 60HZ	239401027	239401015	239402045	239100072	298002026	4120059	239300022	290337048
8K 230V 60HZ	239401028	239401015	239402047	239100072	298002028	4120059	239300022	4040040
10K 230V 60HZ	239401029	239401016	239402050	239100074	298002030	4120061	239300023	290338293
12K 230V 60HZ	239401030	239401016	239402053	239100074	298002030	4120057	239300023	290000326
16K 230V 60HZ	239401031	239401017	239402056	239100076	298002032	290000236	239300024	290000327
6K 220V 50HZ	239401027	239401015	239402048	239100072	298002026	4120059	239300022	290337048
8K 220V 50HZ	239401028	239401015	239402048	239100072	298002028	4120059	239300022	4040040
10K 220V 50HZ	239401029	239401016	239402051	239100074	298002030	4120060	239300023	290338293
12K 220V 50HZ	239401030	239401016	239402054	239100074	298002030	4120060	239300023	290000326
16K 220V 50HZ	239401031	239401017	239402057	239100076	298002032	4120040	239300024	290000322

DTU UNIT BTU'S, VOLTAGE, AND FREQUENCY	EVAP ASSEMBLY W/ STRAINER	CONDENSER COIL ASSEMBLY	COMPRESSOR ASSEMBLY	REVERSING VALVE ASSEMBLY	BLOWER ASSEMBLY <sup>1</sup>	COMP OVER-LOAD	DRAIN PAN ASSEMBLY	DUAL RUN CAP
<b>R417A ONLY</b>								
6K 115V 60HZ	239401009	239401015	239402020	239100071	298002038	4043100	239300022	290000054
8K 115V 60HZ	239401010	239401015	N/A	239100071	298002027	4120008	239300022	290000066
10K 115V 60HZ	239401011	239401016	239402025	239100073	298002029	4120038	239300023	290000055
12K 115V 60HZ	239401012	239401016	239402028	239100073	298002029	4120007	239300023	290000055
16K 115V 60HZ	239401014	239401017	239402060	239100075	298002031	4120027	239300024	4040039
8K 230V 60HZ	239401010	239401015	239402023	239100072	298002028	4120006	239300022	4040040
10K 230V 60HZ	239401011	239401016	3013409*	239100074	298002030	4120039	239300023	290338293

Mobile living made easy.



## REPLACEMENT PARTS TABLES

DTU UNIT BTU'S, VOLTAGE, AND FREQUENCY	EVAP ASSEMBLY W/ STRAINER	CONDENSER COIL ASSEMBLY	COMPRESSOR ASSEMBLY	REVERSING VALVE ASSEMBLY	BLOWER ASSEMBLY <sup>1</sup>	COMP OVER-LOAD	DRAIN PAN ASSEMBLY	DUAL RUN CAP
12K 230V 60HZ	239401012	239401016	239402029	239100074	298002030	4120010	239300023	4040037
16K 230V 60HZ	239401014	239401017	239402035	239100076	298002032	4120022	239300024	290000327
6K 220V 50HZ	239401009	239401015	239402021	239100072	298002026	4120024	239300022	4040034
8K 220V 50HZ	239401010	239401015	239402024	239100072	298002028	4120025	239300022	4040040
10K 220V 50HZ	239401011	239401016	239402027	239100074	298002030	4120028	239300023	290000120
12K 220V 50HZ	239401012	239401016	239402030	239100074	298002030	335573	239300023	290000326
16K 220V 50HZ	239401014	239401017	239402036	239100076	298002032	332859	239300024	290000322
*COMPRESSOR ONLY								
<sup>1</sup> RUN CAP NOT INCLUDED WITH BLOWER								

TURBO UNITS 6-16K	DRAIN PAN MOUNT KIT	HIGH PRESSURE SWITCH - DIGITAL	HIGH PRESSURE SWITCH - MECHANICAL
<b>R410A &amp; R417A ALL SIZES AND VOLTAGES</b>			
ALL 410A	290339944	290000197	290000211
ALL 417A	290339944	290000196	290000212

TURBO UNITS 6-16K	REVERSING VALVE SOLENOID
<b>R410A &amp; R417A ALL SIZES</b>	
410A & 417A 115V	4071503
410A & 417A 220V	4071603
410A & 417A 230V	4071603

TURBO UNITS 6-16K	CIRCUIT BOARD
DTU UNITS	223100502
VTD UNITS	223100502
STX UNITS	722300288
STQ UNITS	298001896

## REPLACEMENT PARTS TABLES

DTG BTU'S, VOLTAGE, AND FREQUENCY	EVAP ASSEMBLY W/ STRAINER	CONDENSER COIL ASSEMBLY	COMPRESSOR ASSEMBLY	REVERSING VALVE ASSEMBLY	BLOWER ASSEMBLY	COMP OVER-LOAD	DRAIN PAN MOUNT KIT	DUAL RUN CAP
<b>TURBO GLOBAL 410A</b>								
6K 1171	239401027	239401015	239402066	239100071	239400052	290340777	239300022	290000054
8K 1171	239401028	239401015	239402067	239100071	239400054	290340774	239300022	290000066
10K 1171	239401029	239401016	239402068	239100073	239400056	290340780	239300023	290340735
12K 1171	239401030	239401016	239402069	239100073	239400056	290340782	239300023	290340735
16K 1171	239401031	239401017	239402070	239100075	239400058	290340775	239300024	290337647
6K 2371	239401027	239401015	239402071	239100072	239400053	290340778	239300022	340786*
8K 2371	239401028	239401015	239402072	239100072	239400055	290340779	239300022	340787*
10K 2371	239401029	239401016	239402073	239100074	239400057	290340781	239300023	290000120
12K 2371	239401030	239401016	239402074	239100074	239400057	290340783	239300023	290000326
16K 2371	239401031	239401017	239402075	239100076	239400059	290340774	239300024	290340788

TURBO GLOBAL 6-16K	DRAIN PAN MOUNT KIT	HIGH PRESSURE SWITCH - DIGITAL	HIGH PRESSURE SWITCH - MECHANICAL
<b>ALL SIZES AND VOLTAGES</b>			
ALL 410A	290339944	4024214	4024218

TURBO GLOBAL 6-16K	REVERSING VALVE SOLENOID
<b>ALL SIZES</b>	
1171	4071503
2371	4071603

TURBO UNITS 6-16K	CIRCUIT BOARD
DTG UNITS	223100504
DTU UNITS	223100502
VTD UNITS	223100502
STX UNITS	722300288
STQ UNITS	298001896

Mobile living made easy.

## REPLACEMENT PARTS TABLES

CAPACITY	VOLTAGE	CONDENSER COIL ASY	BLOWER W/ CAP	BLOWER CAPACITOR	EVAP. W/ STRAINER & CAP	REV. VALVE	SOLENOID COIL	DRAIN PAN MOUNT KIT
----------	---------	--------------------	---------------	------------------	-------------------------	------------	---------------	---------------------

### COMPACT GLOBAL R410A - DCU18 DUAL VOLTAGE

18000	2371	293044036	239400047	2053101	293044269	290339643	290339664	291049008
-------	------	-----------	-----------	---------	-----------	-----------	-----------	-----------

CAPACITY	VOLTAGE	START CAP	RUN CAP	PTCR START ASSIST	OVERLOAD	DRAIN PAN	COMPRESSOR	PRESSURE SWITCH
18000	2371	290330412	290000087	290000080	290340785	239300027	298002069	4024214

COMPACT UNITS	CIRCUIT BOARDS
DCU GLOBAL UNITS	223100504
DCU UNITS	223100502
VCD UNITS	223100502
SXUF UNITS	722300288
SQUF UNITS	298001896

CAPACITY	VOLTAGE	CONDENSER	BLOWER	BLOWER CAPACITOR	EVAPORATOR	REV. VALVE	SOLENOID COIL	DRAIN PAN MOUNT KIT
----------	---------	-----------	--------	------------------	------------	------------	---------------	---------------------

### COMPACT R410A -DCU

18000	115V	293044246	239400027	331027	298001963	290339643	4071502	291049008
18000	230V	293044246	239400047	2053101	298001963	290339643	4071602	291049008
18000	220V	293044246	239400047	2053101	293044269	290339643	4071602	291049008
27000	230V	333344	239400098	4040058	239401006	290339643	4071602	291049013
27000	220V	333344	239400098	4040058	293044268	290339643	4071602	291049013

CAPACITY	VOLTAGE	START CAP	RUN CAP	PTCR START ASSIST	OVERLOAD	DRAIN PAN	COMPRESSOR	PRESSURE SWITCH
----------	---------	-----------	---------	-------------------	----------	-----------	------------	-----------------

### COMPACT R410A CONTINUED

18000	115V	3100236.235	290000123	290335055	290000108	239300027	239402018	4024214
18000	230V	290330412	290000121	290335055	CALL FOR P/N	239300027	298002069	4024214
18000	220V	290330412	290331475	290335055	CALL FOR P/N	239300027	298002069	4024214
27000	230V	N/A	290330855	290335055	CALL FOR P/N	298600001	298001186	4024214
27000	220V	N/A	290330855	290335055	CALL FOR P/N	298600001	336278*	4024214

## REPLACEMENT PARTS TABLES

CAPACITY	VOLTAGE	BLOWER ASSY	DUAL RUN CAP	COMPRES-SOR ASSY W/OVRL	OVERLOAD	REVERSING VALVE	SOLENOID COIL	CONDENSER COIL
<b>ECD GLOBAL 410A</b>								
6K	1171	239400063	290000054	239402066	290340777	290339646	290339663	290332685
10K	1171	239400065	290340735	239402068	290340780	290339641	290339663	CALL P/N
16K	1171	239400067	290337647	239402070	290340775	290339641	290339663	290335494
6K	2371	239400094	CALL P/N	239402071	290340778	290339646	290339665	290332685
10K	2371	CALL P/N	290000120	239402073	290340781	290339641	290339665	CALL P/N
16K	2371	239400093	290340788	239402075	290340774	290339641	290339665	290335494

CAPACITY	VOLTAGE	PRESSURE SWITCH	PC BOARD	DISPLAY BEZEL	DISPLAY W/ BEZEL	DISPLAY CABLE
6K	1171	4024214	223100502	222000224	222000245	222103000
10K	1171	4024214	223100502	222000224	222000245	222103000
16K	1171	4024214	223100502	222000224	222000245	222103000
6K	2371	4024214	223100502	222000224	222000245	222103000

CAPACITY	VOLTAGE	BLOWER ASSY	BLOWER CA-PACITOR	COMPRES-SOR ASSY	OVERLOAD	REVERSING VALVE ASSY	SOLENOID COIL	CONDENSER COIL
<b>ECD/ECM 410A</b>								
6K	115	239400063	290000054	239402044	332849	290339646	4071503	290332685
10K	115	239400065	4040029	239402049	290000323	239100079	4071503	340062
16K	115	239400067	N/A	239402055	4120046	29033964	4071503	290335494
6K	220	CALL P/N	337048	239402048	4120059	CALL P/N	4071603	290332685

Mobile living made easy.

**ECD/ECM 410A** (CONTINUED)

CAPACITY	VOLTAGE	PRESSURE SWITCH	PC BOARD	DISPLAY W/ BEZEL	DISPLAY CABLE
6K	115	290000197	223100502	222000245	222103000
10K	115	290000197	223100502	222000245	222103000
16K	115	290000197	223100502	222000245	222103000
6K	220	290000197	223100502	222000245	222103000

CAPACITY	VOLTAGE	BLOWER ASSY	COMPRESSOR ASSY	CONDENSER COIL ASSY
<b>ECD/ECM 417A</b>				
5K	115	239400063	239402020	290332685
6.5K	115	N/A	N/A	334555
9K	115	239400065	N/A	335465
11K	115	N/A	N/A	335465
15K	115	239400067	N/A	290335494

## REPLACEMENT PARTS TABLES

DEU UNIT BTU'S AND VOLTAGE	COMP. ASSEMBLY	COND. COIL ASSEMBLY	REVERSING VALVE	RUN CAP	COMP OVER-LOAD	BASE VALVE SUCTION	START ASSIST
<b>EMERALD 6-16K</b>							
6K 115V 60HZ	293013047	239401032	290339646	290331475	332849	290337416	N/A
8K 115V 60HZ	293013048	239401032	290339646	290331475	332849	290337416	N/A
10K 115V 60HZ	293013049	239401032	290339646	290330855	290000323	290337416	N/A
12K 115V 60HZ	293013050	239401033	290339643	290331475	4120062	290337416	N/A
16K 115V 60HZ	293013051	239401033	290339643	290000121	290000110	290337417	290335055
6K 200-230V 50/60HZ	293013052	239401032	290339646	290000101	4120059	290337416	N/A
8K 230V 60HZ	293013053	239401032	290339646	290000101	4120059	290337416	N/A
10K 230V 60HZ	293013054	239401032	290339643	290000101	4120061	290337416	N/A
12K 230V 60HZ	293013055	239401033	290339643	290333597	4120057	290337416	N/A
16K 230V 60HZ	293013056	239401033	290339643	290000087	290000236	290337417	290335055
8K 220V 50HZ	CALL P/N	CALL P/N	290339646	CALL P/N	CALL P/N	290337416	N/A
10K 220V 50HZ	293013057	239401032	290339646	290000101	CALL P/N	290337416	N/A
12K 220V 50HZ	293013058	239401033	290339643	290333597	CALL P/N	290337416	N/A
16K 220V 50HZ	293013059	239401033	290339643	290333360	4120040	290337417	290335055

EMERALD UNITS ALL SIZES & VOLTAGES	DRIER	LOW PRES-SURE SWITCH I/O CONTROL	LOW PRES-SURE SWITCH MECHANICAL CONTROL	HIGH PRESSURE SWITCH I/O CONTROL	HIGH PRES-SURE SWITCH MECHANICAL CONTROL	TX VALVE	ELECTRIC BOX ASSEMBLY
6K-16K 115V-220V-230V	3150409	290000195	290000208	290000197	290000211	290000059	239401531

EMERALD UNITS ALL SIZES & VOLTAGES	BASE VALVE DISCHARGE
6K-16K 115V-220V-230V	290330410

Mobile living made easy.

## REPLACEMENT PARTS TABLES

DEG UNIT BTU'S AND VOLTAGE	COMP. ASSEMBLY	COND. COIL ASSEMBLY	REVERSING VALVE	DUAL RUN CAP	COMP OVERLOAD	BASE VALVE SUCTION	START ASSIST
<b>EMERALD 6-16K GLOBAL</b>							
6K 115V 50-60HZ	CALL FOR P/N	239401032	290339646	CALL FOR P/N	CALL FOR P/N	290337416	290335055
8K 115V 50-60HZ	CALL FOR P/N	239401032	290339646	CALL FOR P/N	CALL FOR P/N	290337416	290335055
10K 115V 50-60HZ	CALL FOR P/N	239401032	290339646	CALL FOR P/N	CALL FOR P/N	290337416	290335055
12K 115V 50-60HZ	CALL FOR P/N	239401033	290339643	CALL FOR P/N	CALL FOR P/N	290337416	290335055
16K 115V 50-60HZ	239402070	239401033	290339643	290000123	290340775	290337417	290335055
6K 200-230V 50-60HZ	239402071	239401032	290339646	CALL FOR P/N	290340778	290337416	290335055
8K 230V 50-60HZ	239402072	239401032	290339646	290333597	290340779	290337416	290335055
10K 230V 50-60HZ	239402073	239401032	290339643	298001874	290340781	290337416	290335055
12K 230V 50-60HZ	239402074	239401033	290339643	290333597	CALL P/N	290337416	290335055
16K 230V 50-60HZ	239402075	239401033	290339643	290333026	290340774	290337417	290335055

EMERALD UNITS ALL SIZES & VOLTAGES	DRIER	LOW PRESSURE SWITCH I/O CONTROL	LOW PRESSURE SWITCH MECHANICAL CONTROL	HIGH PRESSURE SWITCH I/O CONTROL	HIGH PRESSURE SWITCH MECHANICAL CONTROL	TX VALVE	ELECTRIC BOX ASSEMBLY
6K-16K 115V-220V-230V	3150409	290000195	290000208	290000197	290000211	290000059	239401531

EMERALD UNITS ALL SIZES & VOLTAGES	BASE VALVE DISCHARGE
6K-16K 115V-220V-230V	290330410

## REPLACEMENT PARTS TABLES

EMERALD BTU'S AND VOLTAGE	COMP. ASSEMBLY	COND. COIL ASSEMBLY	RUN C APACITOR	START CAPACITOR/ START ASSIST	TX VALVE	BASE VALVE DISCHARGE	BASE VALVE SUCTION
<b>EMERALD 24-48K</b>							
24K 230V 60HZ	298001922	239401040	290330855	290335055	3080058	290330416	298001261
30K 230V 60HZ	298001906	239401041	290330855	290000100	3080058	290330416	290337693
36K 230V 60HZ	298001905	239401042	290000121	290334214	3080059	290330416	290337693
48K 230V 60HZ	298001125	239401043	290331520	290000100	3080059	290330416	290337693
24K 220V 50HZ	298001904	239401040	290330855	290335055	3080058	290330416	298001261
30K 220V 50HZ	298001907	239401041	290000123	290000100	3080058	290330416	290337693
36K 220V 50HZ	298001917	239401042	290335364	290334214	3080059	290330416	290337693
48K 220V 50HZ	298001934	239401043	290335802	290334214	3080059	290330416	290337693
			<b>CONTACTOR 3 PHASE</b>				
24K 230V 60HZ 3PH	293600512	239401040	290334398		3080058	290330416	298001261
30K 230V 60HZ 3PH	298001935	239401041	290334399		3080058	290330416	290337693
36K 230V 60HZ 3PH	298001936	239401042	290334400		3080059	290330416	290337693
48K 230V 60HZ 3PH	293600515	239401043	290334401		3080059	290330416	290337693
24K 380V 50HZ 3PH	3000187*	239401040	290334402		3080058	290330416	298001261
30K 380V 50HZ 3PH	298002074	239401041	290334403		3080058	290330416	290337693
36K 380V 50HZ 3PH	298002066	239401042	290334404		3080059	290330416	290337693
48K 380V 50HZ 3PH	293600519	239401043	290334405		3080059	290330416	290337693
24K 460V 60HZ 3PH	298001937	239401040	290334406		3080058	290330416	298001261
36K 460V 60HZ 3PH	298002074	239401042	290334408		3080059	290330416	290337693
48K 460V 60HZ 3PH	298002066	239401043	290334409		3080059	290330416	290337693

EMERALD BTU'S AND VOLTAGE	DRIER	REVERSING VALVE	ACCUMULATOR	RECEIVER	START RELAY	START ASSIST
24K ALL VOLTAGES	290000072	290339644	290333150	290331170	N/A	290335055
36K ALL VOLTAGES	290000072	290339644	290333150	290331170	290339860	N/A
48K ALL VOLTAGES	290000072	290339645	290340299	290000226	290339860	N/A

EMERALD UNITS	CIRCUIT BOARD
ED UNITS	223100500
EQ UNITS	298001896
DEU UNITS	223100502

Mobile living made easy.



## REPLACEMENT PARTS TABLES

TURBOVAP UNIT BTU'S AND VOLTAGE	BLOWER ASSEMBLY WITH CAPACITOR	LIST PRICE (USD)	BLOWER CAPACITOR	LIST PRICE (USD)
<b>TURBOVAP</b>				
4K 115V	298002038	\$240.00	290000080	\$25.00
6K 115V	298002038	\$240.00	290000080	\$25.00
8K 115V	298002027	\$390.00	290330750	\$25.00
10-12K 115V	298002029	\$430.00	290330669	\$25.00
14-16K 115V	298002031	\$485.00	290330750	\$25.00
4K 230V	298002026	\$375.00	290331103	\$21.00
6K 230V	298002026	\$375.00	290331103	\$21.00
8K 230V	298002028	\$475.00	290000094	\$25.00
10-12K 230V	298002030	\$430.00	290330670	\$25.00
14-16K 230V	298002032	\$485.00	290000095	\$25.00

## REPLACEMENT PARTS TABLES

EBE CAPACITY	VOLTAGE	COIL ASSEMBLY	BLOWER ASSEMBLY	HEATER	AUTO RESET OVERLOAD	MANUAL RESET OVERLOAD	CAPACITOR	TXV	DUCT ADAPTER
EBE EBHE	EBE EBHE	EBE EBHE	EBE EBHE	EBHE	EBHE	EBHE	EBE EBHE	EBE EBHE	EBE EBHE
6000	230V	CALL FOR P/N	CALL FOR P/N	290000161	290330924	290000111	290331103	290000059	228700138
8000	230V	239401036	CALL FOR P/N	290000161	290330924	290000111	290000094	290000059	228700211
10000	230V	239401037	CALL FOR P/N	290000158	290330924	290000111	290330670	290000059	228700209
12000	230V	CALL P/N	23940010	290000230	290330924	290000111	290330670	290000059	228700209
16000	230V	CALL P/N	CALL FOR P/N	290000229	290330924	290000111	4040045	290000059	228700210
18000	230V	CALL P/N	298002033	N/A	N/A	N/A	290000080	3080058	N/A
24000	230V	239401053	298002034	290000157 (X2)	290330924	290000111	290000119	3080058	N/A
30000	230V	CALL P/N	298002034	290000157 (X2)	290330924	290000111	290000119	3080058	291604194
36000	230V	239401054	298002034	N/A	N/A	N/A	N/A	3080059	291604194

**NOTE: 24/30K UNITS USE (2) 4200801 HEATERS**

EBDE CAPACITY	VOLTAGE	TXV	BLOWER ASSEMBLY
<b>EBDE REPLACEMENT PARTS TABLE</b>			
30K	230V	3080058	298002034
36K	230V	3080059	715212428
48K	230V	3080059	715212430
60K	230V	3080060	CALL FOR P/N
72K	230V	3080060	298001603
36K	220V	3080059	715212428
48K	220V	3080059	715212430
60K	220V	3080060	715212429
72K	220V	3080060	298001603

Mobile living made easy.

## REPLACEMENT PARTS TABLES

MODEL	COMP	ASSY	P/N	MFD/ VOLTS	P/N	MFD/ VOLTS	P/N
<b>"RM" TYPE REMOTE MODULATING CONDENSING UNIT REPLACEMENT PARTS</b>							
	REPL	COND	RUN CAPACITOR		START CAPACITOR		START RELAY
RM24C	293045207	N/A	290330855	40/370	290000100	88-106 330V	290339860
RM30C	298001553	N/A	290331475	35/440	290000100	88-106 330V	290339860
RM42C	298001563	701842482	290000122	55/370	290000100	88-106 330V	290339860
RM24CK	298001305	N/A	290000121	45/370	290000100	88-106 330V	290339860
RM30CK	298001305	N/A	290333026	50/370	290000100	88-106 330V	290339860
RM42CK	N/A	701842482	290000123	60/370	290331733	270- 324/330	CALL PN
RM24D(C)	298001360	N/A					
RM30D(C)	298001810	N/A					
RM42D(C)	293045683	701842482					

### CONTACTORS FOR 3 PHASE COMPRESSORS ONLY

120V COIL	4130830*	ALL D & E MODELS WITH 120V CONTROL
230V COIL	4130630*	ALL DC & EC MODELS WITH 230V CONTROL

### CONDENSER SEAWATER MANIFOLDS

CAPACITY	PART NO	LIST PRICE	DESCRIPTION
RM24	220300176	\$135.00	WATER IN
RM24	220300211	\$355.00	WATER OUT

### RM CONTROL PARTS

ALL RM UNITS	290000020	\$21.00	RESISTOR 7.5K OHM 10W
ALL RM UNITS	290000302	\$45.00	TIME DELAY 18-240V
ALL RM UNITS	290339711	\$110.00	RELAY PC BOARD A-550
ALL RM UNITS	TR230	\$90.00	RELAY TRIGGER 230V
RM24C - RM42C	290000220	\$290.00	RELAY SOLID STATE 75 AMP

## DX SPARE PARTS LIST

PART #	NEW ITEM #	LIST PRICE (USD)	DESCRIPTION
<i>*NOTE: ALL BLOWERS NOW COME STANDARD WITH INSULATION AND CAPACITOR</i>			
298002026	4471002776	\$375.00	BLOWER 4-6K 220/230V - DTU6, CD3.5, ECD6, TV/TVE4-6, EBHE6, EBLE/EBLEP12
298002038	4471002962	\$240.00	BLOWER 5-6K 115V - VT6, ECD5, DTG6, TV/TVE4 & 6, EBLE12, , FA15/18
298002027	4471002777	\$390.00	BLOWER 6-8K 115V - DTG8, DTU8, VTD8, STH8, VC7, TV/TVE8, E6FD, EBLE/EBLEP16, FA3-6
298002028	4471002778	\$475.00	BLOWER 6-8K 230V - DTG8, DTU8, VTD8, TV/TVE8, E6FDZ, EBHE8, EBLE8, EHMB8, FA3-6C
298002029	4471002779	\$430.00	BLOWER 9-12K 115V - DTG10-12, DTU10-12, VTD10-12, VC10-12, ECD9-10, HSA16, TV/TVE10-12, PHD12, FA7.5 & 9
298002030	4471002780	\$430.00	BLOWER 9-12K 230V - DTG10-12, DTU10-12, VTD10-12, VC10Z-12Z, ECD10, HSA16, TV/TVE10-12, PHD12, FA7.5 & 9C
298002031	4471002781	\$485.00	BLOWER 16K 115V - DTG16, DTU16, VTD16, VC16, ECD16, TV/TVE16, E12FD, FA12
298002037	4471002961	\$495.00	BLOWER 16K - 24K 115V - VC/SF18, E16-18, DCU18
298002032	4471002782	\$485.00	BLOWER 16K 230V - DTG16, DTU16, DCU30, VC16Z, ECD15-16, TV/TVE16, EBHE16, EBLE/EBLEP24-30, FA12
298002033	4471002783	\$500.00	BLOWER 18K 230V - SSA16, DCM18, EBLEP36, DCU18, EBE/EBHE18, EBLEP36, EBUL30-36, FA15/18C
298002034	4471002784	\$695.00	BLOWER 24-36K 230V - SHUF27, VCD24-27, DCU27, REU20-24, EBE24-36, EBDE30, EBHE24-30
291617060	291617060	CALL FOR PRICE	BLOWER E16FD-HV 115V INS W/CAPACITOR
291617061	291617061	\$845.00	BLOWER E16FDZ-HV 230V INS W/CAPACITOR
715212428	715212428	\$1,240.00	BLOWER EBDE36-230V W/CAP
715212429	715212429	\$1,215.00	BLOWER EBDE72-220V W/CAP
239400063	239400063	\$260.00	BLOWER ECD/ECM 5K-HV, 115V
239400065	239400065	\$330.00	BLOWER ECD/ECM 10K-HV, 115V
239400067	239400067	\$385.00	BLOWER ECD/ECM 16K-HV, 115V
239400093	239400093	\$335.00	BLOWER ECD/ECM 16K-HV, 220-230V

Mobile living made easy.

## DX SPARE PARTS LIST

PART #	NEW ITEM #	LIST PRICE (USD)	DESCRIPTION
290000249	4471000339	\$550.00	BLOWER FPV60 50HZ WHEEL/HOUSING
715210504	715210504	\$735.00	BLOWER REU4/5C 230V HIEFF
715212416	715212416	\$680.00	BLOWER REU4/5K 115V PLSTC HV
240110095	240110095	CALL FOR PRICE	BLOWER VC5 115V HIGH VELOCITY W/CAPACITOR
239400027	239400027	\$815.00	BLOWER VC18K-HV, 115V HIGH VELOCITY W/CAPACITOR
293042209	293042209	CALL FOR PRICE	BLOWER VCD5K 115V F TO HV
239400052	239400052	CALL FOR PRICE	BLOWER VT 6K 115V
298001896	298001896	\$390.00	BOARD, ELECTRIC RETRO Q-LOGIC>U-CONTROL DX BOARD
223100500	223100500	\$440.00	BOARD, MODULE RETRO PASSPORT I/O TO UNITY
263400647	263400647	\$115.00	BOARD, RELAY RETROFIT KIT D-RELAY A-284 40A 115/230V
263400645	263400645	\$115.00	BOARD, RELAY RETROFIT KIT Q/SMX W/HARDWARE
223100502	223100502	\$350.00	BOARD, U-CONTROL CW/DX
223100503	223100503	\$675.00	BOARD, U-CONTROL CW/DX NETWORK WITH CANBUS *REPLACEMENTS ONLY
763100061	9108697567	\$530.00	CANBUS ADAPTER KIT Q-LOGIC, DX & TW (DOES NOT INCLUDE Q-LOGIC BOARD)
222104002	222104002	\$1,175.00	CANBUS TO RS232 SERIAL ADAPTER KIT
290331103	290331103	\$21.00	CAPACITOR 2MFD WIRE 8MM STUD TV/EBE/EBHE4-6K 230V
290330670	290330670	\$25.00	CAPACITOR 3MFD WIRE 8MM STUD TV10-12K 230V, HSA16UKC, PHD12HVZ, EBHE12
290000094	290000094	\$25.00	CAPACITOR 4MFD WIRE 8MM STUD TV/RE/REU7-8K 230V, EBE/EBHE 6K 230V
290000095	290000095	\$25.00	CAPACITOR 5MFD WIRE 8MM STUD TV14-16K 230V, EBE/EBHE14-16K 230V
290000080	290000080	\$25.00	CAPACITOR 6MFD/400V TV4-6K 115V, EBE/EBHE/VCD 18K 220/230V

## DX SPARE PARTS LIST

PART #	NEW ITEM #	LIST PRICE (USD)	DESCRIPTION
290000119	290000119	\$25.00	CAPACITOR 8MFD WIRE 8MM STUD RE/REU4-5K 115V, RE/REU24K 230V, EBE/EBHE18-30K, VCD27K
290330669	290330669	\$25.00	CAPACITOR 10MFD WIRE W/8MM STUD 250 TV10-12 RE/REU10,12 RE/REU30C, HSA16
2052701	2052701	\$25.00	CAPACITOR 16MF RE/REU7, 8, 12 115V
290330750	290330750	\$25.00	CAPACITOR 16MFD WIRE W/8MM STUD 250 TV8K 14K & 16K 115V
290331027	290331027	\$27.00	CAPACITOR 20MFD WIRE W/8MM STUD 250 RE/REU16 115V, VC-D18K 115V
340786	TBD	\$27.00	CAPACITOR DUAL 12MFD/2MFD 370V R410A TURBO/ECD 6K 220/230V
4040034	4040034	\$27.00	CAPACITOR DUAL 20MFD/2MFD 370V R417A TURBO 6K 220V
4040031	4040031	\$33.00	CAPACITOR DUAL 30MFD/15MFD 370V TURBO 8, 115V
340787	TBD	\$30.00	CAPACITOR DUAL 20MFD/4MFD 440V R410A TURBO 8K 230V & 220V
290338293	4471000835	\$30.00	CAPACITOR DUAL 15MFD/3MFD 440V R410A TURBOS 10K 230V & 220V
4040037	4040037	\$33.00	CAPACITOR DUAL 25MFD/3MFD 370V R410A TURBO 10-12K 220V/230V & R417A 12K 220V, 115V
290000120	290000120	\$30.00	CAPACITOR DUAL 25MFD/3MFD 370V R417A TURBO 10K 220V
340788	TBD	CALL FOR PRICE	CAPACITOR DUAL 50MFD/5MFD 370V R410A & R417A TURBO 16K 220-230V
340735	TBD	CALL FOR PRICE	CAPACITOR DUAL 60MFD/10MFD 370V R410A TURBO 12K 115V
4040039	4040039	\$33.00	CAPACITOR DUAL 30MFD/16MFD 370V R417A TURBO 16K 115V
4040038	4040038	\$33.00	CAPACITOR DUAL 30MFD/4MFD 370V R417A TURBO 14-16, 230V 60 HZ
290000066	290000066	\$34.00	CAPACITOR DUAL 35MFD/16MFD 250V R410A & R417A TURBO 8K 115V
290000054	290000054	\$34.00	CAPACITOR DUAL 35MFD/6MFD 240V R410A & R417A TURBO/EC-D(M) 6K 115V

Mobile living made easy.

## DX SPARE PARTS LIST

PART #	NEW ITEM #	LIST PRICE (USD)	DESCRIPTION
4040029	4040029	\$34.00	CAPACITOR DUAL 40MFD/10MFD 240V R410A TURBO 10K & R417A TURBO 10-12K 115V
290337047	290337047	\$34.00	CAPACITOR DUAL 45MFD/16MFD 370V R410A TURBO/ECD(M) 16K 115V
290000101	290000101	\$21.00	CAPACITOR RUN 15MFD 400/440V SH/SX7, 7C, 10C, 12C, CS-D(M)6-9K, EBDE72K
290333597	290333597	\$23.00	CAPACITOR RUN 20MFD/370V ED(M,Q)12K, R(X,Q)16C, SX16C, CS-D(M) 12K 230V, ECD3.5
290333360	290333360	\$23.00	CAPACITOR RUN 25MFD/370V CSD(M)16K 220V, ED/EM16K 220V, R/SH/SX10-12 115V, SH/SX/R16CK 220V, ESKIMO ICE
298001874	298001874	\$31.00	CAPACITOR RUN 25MFD/440V R(X)24
290000087	290000087	\$23.00	CAPACITOR RUN 30MFD/370V EM16K 230V, SH/SX24C, SHR/SXR10-16 ALL VOLTAGES, R20-24C
290331475	290331475	\$23.00	CAPACITOR RUN 35MFD/370V CSD(M)6-8K, ED(M)6,8,12 115V/EM24-30K 230V/EM24 220V /R16/R30C/R20-24CK
4041004	4041004	\$35.00	CAPACITOR RUN 4 MF 370V EBS16, EBS16C
290330855	290330855	\$36.00	CAPACITOR RUN 40MFD/370VAC EMERALDS 10K 115V & 36K 230V, SHR/SXR7-12, VCD27, SQUF27, CHCG20, R(N,Q,X) 30-36K, RM24K
290000121	290000121	\$28.00	CAPACITOR RUN 45MFD 370VAC 60HZ ED(M)16K, RM24CK, VC-D18K 220/230V
290331523	290331523	\$36.00	CAPACITOR RUN 45MFD/440V EM30 220V
4040305	4040305	CALL FOR PRICE	CAPACITOR RUN 5.0MFS/370V EBDE36K-48K 230V
290333026	290333026	\$39.00	CAPACITOR RUN 50MFD/370V RM30 220V, TWLC, CWMC
290000122	290000122	\$34.00	CAPACITOR RUN 55MFD/370V R48C, RM42C, FM42CK
290000123	290000123	\$49.00	CAPACITOR RUN 60 MFD 370VAC R(N,Q)48CK, CHCG24
290335802	290335802	\$50.00	CAPACITOR RUN 60MFD/440V EM48 220V
4041007	TBD	CALL FOR PRICE	CAPACITOR RUN 7.5 MF 370V EBDE36K-72K 220V
290334145	290334145	\$43.00	CAPACITOR RUN 80MFD/370V EQ72, TWC48 & 60, MCG60

## DX SPARE PARTS LIST

PART #	NEW ITEM #	LIST PRICE (USD)	DESCRIPTION
290000124	290000124	\$90.00	CAPACITOR RUN 80MFD/440V RX,RQ 48, CWMC
290334214	290334214	\$100.00	CAPACITOR START 145-175/330V WITH BLEED RESISTOR EM36 230V & 220V, EM48 220V
290000126	290000126	\$75.00	CAPACITOR START 145-175/330V W/OUT BLEED RESISTOR EM24K, EM30K 230V, EM48K 220V
290000090	290000090	\$55.00	CAPACITOR START 145-175UF@250V W/BLE SH(N)24, R(X,N,Q) 20-36K
290332475	290332475	\$105.00	CAPACITOR START 161-193/330V W/BLEED RESISTOR EM30/36 220V
290335760	290335760	\$85.00	CAPACITOR START 189-227/250V DEU/EM30/60 R/RX20 230V
290330412	290330412	\$34.00	CAPACITOR START 21-25MFD/330V SH & SX7, 10, R/RX/RN,RQ 5,7,10, SQUF30, VECU18
290331733	290331733	\$90.00	CAPACITOR START 270-324/330V W/BR RM42CK / R48CK
298001296	298001296	\$39.00	CAPACITOR START 43-53 MFD 220V
290000105	290000105	\$50.00	CAPACITOR START 43-53 MFD. 330 VAC 60 (UL) CSD/CSM/SH/SX12C
290330559	290330559	\$49.00	CAPACITOR START 72-88MFD/330V W/BR ALL STOWAWAY V ROTARY COMPRESSORS
290000100	290000100	\$48.00	CAPACITOR START 88-106 MR W/15 OHM SH/SX24C3 / SHSX24CK3 / R48C / RM24-30 / EM48 230V
4040070	4040070	\$125.00	CAPACITOR START HIGH TORQUE FX48, MTC(S) 48K & 60K
3100236.235	3100236.235	CALL FOR PRICE	CAPACITOR START VCD/DCU18K
290331235	4471000240	\$480.00	COIL, COND CS12/16
239401048	239401048	\$430.00	COIL, COND CS6 PAINTED
298001293	298001293	\$1,160.00	COIL, COND CSD24RZ/1 PAINTED
239401032	239401032	\$340.00	COIL, COND EM6-10K
239401033	239401033	\$480.00	COIL, COND EM12-16K
239401040	239401040	\$685.00	COIL, COND EM24K

Mobile living made easy.



## DX SPARE PARTS LIST

PART #	NEW ITEM #	LIST PRICE (USD)	DESCRIPTION
239401041	239401041	\$1,065.00	COIL, COND EM30K
239401042	239401042	\$1,445.00	COIL, COND EM36K
239401015	239401015	\$380.00	COIL, COND ST/ST6-8 W/EXT
239401016	239401016	\$425.00	COIL, COND ST/ST10-12 W/EX
239401017	239401017	\$455.00	COIL, COND ST/ST14-16 W/EX
293044033	293044033	\$385.00	COIL, COND W/90 DEGREE ELBOWS SF7K
293044034	293044034	\$390.00	COIL, COND W/90 DEGREE ELBOWS SF10K (PRIOR TO 3/03)
293044035	293044035	\$455.00	COIL, COND W/90 DEGREE ELBOWS SF12K (PRIOR TO 3/03)
293044036	293044036	\$445.00	COIL, COND W/90 DEGREE ELBOWS SF16K (PRIOR TO 3/03)
290333344	4471000237	\$685.00	COIL, COND, 24M VC24
290333279	4471000221	\$410.00	COIL, EVAP E9FD (ORDER STRAINER/CAP 298001764), SF10, VR/VH/VM 9, VC10 ( UNITS BUILT PRIOR TO MARCH 2003)
298001359	298001359	\$510.00	COIL, EVAP E12FD (ORDER STRAINER/CAP 332341), VC12,16 SF12,16 ( BUILT PRIOR TO MARCH 2003)
298001344	298001344	\$740.00	COIL, EVAP E16FD LOW PROFILE (FILTER STRAINER 332200)
715210701	715210701	\$445.00	COIL, EVAP RE/REU7
715210801	715210801	\$490.00	COIL, EVAP RE/REU8
715211001	715211001	\$490.00	COIL, EVAP RE/REU10
715211201	715211201	\$500.00	COIL, EVAP RE/REU12
715211601	715211601	\$670.00	COIL, EVAP RE/REU16
715212419	715212419	\$825.00	COIL, EVAP RE/REU24
715211629	715211629	\$950.00	COIL, EVAP RE/REU36
239401039	239401039	\$455.00	COIL, EVAP SF7, VC7 & E6FD W/STRAINER & CAP TUBE
239401006	239401006	\$635.00	COIL, EVAP SF24, VC24
239401027	239401027	\$385.00	COIL, EVAP TURBO 6K R410A W/ STRAINER AND CAP TUBE
239401009	239401009	\$375.00	COIL, EVAP TURBO 6K W/ STRAINER AND CAP TUBE

## DX SPARE PARTS LIST

PART #	NEW ITEM #	LIST PRICE (USD)	DESCRIPTION
239401028	239401028	\$385.00	COIL, EVAP TURBO 8K R410A W/ STRAINER AND CAP TUBE
239401010	239401010	\$385.00	COIL, EVAP TURBO 8K W/ STRAINER AND CAP TUBE
239401029	239401029	\$440.00	COIL, EVAP TURBO 10K R410A W/ STRAINER AND CAP TUBE
239401011	239401011	\$430.00	COIL, EVAP TURBO 10K W/ STRAINER AND CAP TUBE
239401030	239401030	\$535.00	COIL, EVAP TURBO 12K R410A W/ STRAINER AND CAP TUBE
239401012	239401012	\$430.00	COIL, EVAP TURBO 12K W/ STRAINER AND CAP TUBE
239401031	239401031	\$595.00	COIL, EVAP TURBO 16K R410A W/ STRAINER AND CAP TUBE
239401014	239401014	\$490.00	COIL, EVAP TURBO16K W/ STRAINER AND CAP TUBE
4071502	4071502	\$24.00	COIL, SOLENOID 115V LDK-310000 SH/SX10-16 / SHR/SXR10-16 / R10-16 (NOV. '04 TO JAN '17)
4071503	4071503	\$22.00	COIL, SOLENOID 115V LDL-31-120 TURBO 6-16K (JUN. '07 TO JAN '17)
4071501	4071501	\$27.00	COIL, SOLENOID 115V SH/SX7 / SHR/SXR7 / R5 / R7
4071602	4071602	\$24.00	COIL, SOLENOID 230V LDK-410000 SH/SH10-24, R10-16, VCD18K & 27K (NOV. '04 TO JAN '17)
4071603	4071603	\$22.00	COIL, SOLENOID 230V LDL-41-120 ALL R410A TURBO - 6K - 16K & R417A 6K - 16K (JUN. '07 TO JAN '17)
290000218	4471000218	\$24.00	COIL, SOLENOID 24V LDK11 48"
293045684	293045684	\$905.00	COMPRESSOR CSD, R(Q,X) 12K 240 W/TUBE AND DRIER
239402000	239402000	\$610.00	COMPRESSOR 115V SF5/2
293045051	293045051	\$775.00	COMPRESSOR 115V SF12 (BUILT THRU FEB. '03)
239402016	239402016	\$900.00	COMPRESSOR 220V SF18CK/2
293045614	293045614	\$765.00	COMPRESSOR 230V SF10C (BUILT THRU FEB. '03)
239402011	239402011	\$710.00	COMPRESSOR 230V SF12C/2
293045054	293045054	\$820.00	COMPRESSOR 230V SF16C
3019137	3019137	CALL FOR PRICE	COMPRESSOR H22 36K 380/50/3 460/60/3 R36ECK

Mobile living made easy.

## DX SPARE PARTS LIST

PART #	NEW ITEM #	LIST PRICE (USD)	DESCRIPTION
293045053	293045053	\$780.00	COMPRESSOR PAINTED 115V 16K R417A VR/CHC16T
298001305	298001305	\$2,115.00	COMPRESSOR PAINTED 220/50/1 RM24CK & RM30CK
298001574	298001574	\$2,110.00	COMPRESSOR 230V RM24C
298001553	298001553	\$2,845.00	COMPRESSOR PAINTED 230/60/1 RM30C
298001810	298001810	\$2,730.00	COMPRESSOR PAINTED 230/60/3 RM30DC
293045012	293045012	\$905.00	COMPRESSOR PAINTED CS/VH16Z50 REPLACES 293045674 SERIAL #S AFTER 43497928 AND DATED AFTER 08/28/14
293013053	293013053	\$620.00	COMPRESSOR PAINTED EM6-8K 220 & 8K 230V W/GROMMETS AND SLEEVES
293013047	293013047	\$595.00	COMPRESSOR PAINTED EM6K 115V W/GROMMETS AND SLEEVES
293013052	293013052	\$595.00	COMPRESSOR PAINTED EM6K 230V W/GROMMETS AND SLEEVES
293013048	293013048	\$595.00	COMPRESSOR PAINTED EM8K 115V W/GROMMETS AND SLEEVES
293013049	293013049	\$625.00	COMPRESSOR PAINTED EM10K 115V W/GROMMETS AND SLEEVES
293013057	293013057	\$640.00	COMPRESSOR PAINTED EM10K 220V W/GROMMETS AND SLEEVES
293013054	293013054	\$625.00	COMPRESSOR PAINTED EM10K 230V W/GROMMETS AND SLEEVES
293013050	293013050	\$640.00	COMPRESSOR PAINTED EM12K 115V W/GROMMETS AND SLEEVES
293013058	293013058	\$655.00	COMPRESSOR PAINTED EM12K 220V W/GROMMETS AND SLEEVES
293013055	293013055	\$640.00	COMPRESSOR PAINTED EM12K 230V W/GROMMETS AND SLEEVES
293013051	293013051	\$685.00	COMPRESSOR PAINTED EM16K 115V W/GROMMETS AND SLEEVES
293013059	293013059	\$705.00	COMPRESSOR PAINTED EM16K 220V W/GROMMETS AND SLEEVES
293013056	293013056	\$685.00	COMPRESSOR PAINTED EM16K 230V W/GROMMETS AND SLEEVES
298001904	298001904	\$1,710.00	COMPRESSOR PAINTED EM24S 2251
298001922	298001922	\$1,710.00	COMPRESSOR PAINTED EM24S 2361
293600512	293600512	\$2,045.00	COMPRESSOR PAINTED EM24 230/60/3 W/GROMMETS AND SLEEVES
298001907	298001907	\$2,060.00	COMPRESSOR PAINTED EM30S 2251

## DX SPARE PARTS LIST

PART #	NEW ITEM #	LIST PRICE (USD)	DESCRIPTION
298001906	298001906	\$2,060.00	COMPRESSOR PAINTED EM30S 2361
298001917	298001917	\$1,710.00	COMPRESSOR PAINTED EM36S 2251
298001905	298001905	\$1,710.00	COMPRESSOR PAINTED EM36S 2361
293600514	293600514	\$2,115.00	COMPRESSOR PAINTED EM36 230/60/3 W/GROMMETS AND SLEEVES
293600519	293600519	\$2,255.00	COMPRESSOR PAINTED EM48 380/50/3 W/GROMMETS AND SLEEVES
293045668	293045668	\$835.00	COMPRESSOR PAINTED R3101-10S 115V 10K R417A SLX/SN/SX/R/RX/RN/RQ
293045658	293045658	\$880.00	COMPRESSOR PAINTED R3101-10T 115V 10K R417A SLX/SN/SX/R/RX/RN/RQ
293045669	293045669	\$835.00	COMPRESSOR PAINTED R3102-10S 230V 10K R417A SLX/SN/SX/R/RX/RN/RQ
293045648	293045648	\$880.00	COMPRESSOR PAINTED R3102-10T 230V 10K R417A CS/SLX/SX/RX/RN/RQ
293045665	293045665	\$845.00	COMPRESSOR PAINTED R3102-12S 230V 12K R417A SLX/SN/SX/R/RX/RN/RQ
293045646	293045646	\$890.00	COMPRESSOR PAINTED R3102-12T 230V 12K R417A CS/SX/SLX/RX/RN/RQ/RSC
293045655	293045655	\$780.00	COMPRESSOR PAINTED R3140-12S 115V 12K R417A SLX/SNR/SXR
293045652	293045652	\$780.00	COMPRESSOR PAINTED R3141-16S 230V 16K R417A SXR/HSA/VC/SXF/VT/SXR
293045673	293045673	\$885.00	COMPRESSOR PAINTED R3142-16S 240V 16K R417A SX/HSA/VC/VT/ST
298001186	298001186	\$1,750.00	COMPRESSOR PAINTED ZP21K5E 2361 410 27K UNITS
298001908	298001908	\$1,625.00	COMPRESSOR PAINTED R/CS 24T-2631
298001914	298001914	\$1,645.00	COMPRESSOR PAINTED R/CS 30T-2361
298001909	298001909	\$1,695.00	COMPRESSOR PAINTED R/CS 36T-2361
298001563	298001563	\$3,270.00	COMPRESSOR R48C 230/60/1
298001712	298001712	\$3,290.00	COMPRESSOR R48DC 230/60/3

Mobile living made easy.

## DX SPARE PARTS LIST

PART #	NEW ITEM #	LIST PRICE (USD)	DESCRIPTION
239402048	239402048	\$565.00	COMPRESSOR TURBO 6/8K-410 220/50 W/OVRLD
239402044	239402044	\$525.00	COMPRESSOR TURBO 6K-410 115V W/OVRLD
239402045	239402045	\$550.00	COMPRESSOR TURBO 6K-410 230/60V/OVRLD
239402046	239402046	\$545.00	COMPRESSOR TURBO 8K-410 115V W/OVRLD
239402047	239402047	\$565.00	COMPRESSOR TURBO 8K-410 230V W/OVRLD
239402049	239402049	\$550.00	COMPRESSOR TURBO 10K-410 115V W/OVRLD
239402050	239402050	\$565.00	COMPRESSOR TURBO 10K-410 230V W/OVRLD
239402030	239402030	\$640.00	COMPRESSOR TURBO 12K 220V W/OVERLOAD AND HARDWARE
239402029	239402029	\$625.00	COMPRESSOR TURBO 12K 230V W/OVERLOAD AND HARDWARE
239402052	239402052	\$560.00	COMPRESSOR TURBO 12K-410 115V W/OVRLD
239402054	239402054	\$580.00	COMPRESSOR TURBO 12K-410 220/50 W/OVRLD
239402053	239402053	\$580.00	COMPRESSOR TURBO 12K-410 230V W/OVRLD
239402036	239402036	\$820.00	COMPRESSOR TURBO 16K 220V W/OVERLOAD AND HARDWARE
239402035	239402035	\$650.00	COMPRESSOR TURBO 16K 230V W/OVERLOAD AND HARDWARE
239402055	239402055	\$605.00	COMPRESSOR TURBO 16K-410 115V W/OVRLD
239402057	239402057	\$645.00	COMPRESSOR TURBO 16K-410 220/50 W/OVRLD
239402056	239402056	\$630.00	COMPRESSOR TURBO 16K-410 230V W/OVRLD
239402020	239402020	\$590.00	COMPRESSOR TURBO/EC6K 115V W/OVRLD-HRDW
239402060	239402060	\$775.00	COMPRESSOR VT16K-TECH 115V W/OVERLOAD AND HARDWARE
701842482	701842482	\$1,615.00	CONDENSER RM42 R48 HEAT PUMP
290000241	4471000331	\$810.00	CONDENSER R-TYPE 20-24K
4130630	TBD	CALL FOR PRICE	CONTACTOR, 30A 3P 240V ALL R TYPE UNITS 24K-48K
290331551	4471000193	\$100.00	CONTACTOR, 40A 2P 240V EMERALD 48K, 60K, RX48K
290334398	4471000189	\$140.00	CONTACTOR, 40A 3P 240V EMERALD 24K-48K

## DX SPARE PARTS LIST

PART #	NEW ITEM #	LIST PRICE (USD)	DESCRIPTION
290000212	4471000185	\$47.00	CONTROL HI PSI CO425 CI275 ALL TURBO R417A MECHANICAL
290000196	4471000141	\$46.00	CONTROL HPS CO425 CI325UL ALL TURBO R417A DIGITAL
290000197	4471000144	\$44.00	CONTROL HPS 575PSI R410A 1/4" F ALL TURBO R410A DIGITAL
290000211	4471000182	\$46.00	CONTROL HPS CO575 CI400 1/4" FF ALL TURBO R410A MECHANICAL
290000195	4471000140	\$46.00	CONTROL LPS 60-75 +/-5 EMERALDS R410A 6-16K DIGITAL
290000194	4471000139	\$55.00	CONTROL LPS 78-92 1/4FL 1/4QD (78PSI) R410A
290000193	4471000137	\$40.00	CONTROL LPS CO27 CI45 (UL) R417A, R407C (27PSI)
290000208	290000208	\$46.00	CONTROL LPS CO60 CI90 1/4" F FL EMERALDS R410A 6-16K MECHANICAL
019700	TBD	\$31.00	COVER, PLASTIC FOR 3 KNOB SWITCH
291603723	291603723	\$155.00	DRAIN PAN ASSEMBLY CS6-16
291049008	291049008	\$29.00	DRAIN PAN MOUNTING KIT VC/SF 6-16
291049013	291049013	\$29.00	DRAIN PAN MOUNTING KIT VC24/SF24/VH24
290339944	290339944	\$70.00	DRAIN PAN MOUNTING KIT VT6-16
239300022	239300022	\$180.00	DRAIN PAN W/ ISOLATOR PADS TURBO 6-8K
239300023	239300023	\$180.00	DRAIN PAN W/ ISOLATOR PADS TURBO 10-12K
239300024	239300024	\$180.00	DRAIN PAN W/ ISOLATOR PADS TURBO 14-16K
239300038	239300038	\$85.00	DRAIN PAN W/ ISOLATOR PADS TV4-8
239300039	239300039	\$85.00	DRAIN PAN W/ ISOLATOR PADS TV10-12
239300040	239300040	\$90.00	DRAIN PAN W/ ISOLATOR PADS TV16
290000072	290000072	\$95.00	DRIER, FILTER R410A 2-6T BIFLO EMERALD 24K-48K
3150409	TBD	CALL FOR PRICE	DRIER, FILTER R410A EMERALD 6K-16K
226600091	9108549922	\$170.00	ECD DUAL DUCT KIT 6K
226600094	9108750550	\$170.00	ECD DUAL DUCT KIT 6K 3"INS

Mobile living made easy.

## DX SPARE PARTS LIST

PART #	NEW ITEM #	LIST PRICE (USD)	DESCRIPTION
226600092	9108549923	\$170.00	ECD DUAL DUCT KIT 10K & 16K
218000106	9108732761	\$1,200.00	ECD INSTALL KIT 6K
218000110	9108732760	\$1,265.00	ECD INSTALL KIT 10K
218000116	9108732758	\$1,345.00	ECD INSTALL KIT 16K
218000117	9108844180	\$1,380.00	ECD INSTALL KIT 16KZ
293049363	293049363	\$550.00	ECD/MCS12 ELECTRICAL BOX ASSY 2251 410A
293049298	293049298	\$530.00	ECD/MCS15 ELECTRICAL BOX ASSY 2251 417A
298001817	298001817	\$515.00	ECD10K ELECTRIC BOX ASSY 1161 410A
298001802	298001802	\$530.00	ECD16K ELECTRIC BOX ASSY 1161 410A
334397	334397	CALL FOR PRICE	FUSE 1/4AMP 250V (AUTOMOTIVE TYPE), A-281C SMX II BOARD W/ HEAT SINK PLATE
290000157	290000157	\$130.00	HEATER RECT. 1.5KW 240V 25FIN 3ELEMENT EBHE24-30K
290000158	290000158	\$130.00	HEATER RECT. 1.5KW 240V 25FIN EBHE10K
290000161	290000161	\$130.00	HEATER RECT. 1KW 240V 25FIN EBHE6-8K
290000229	4471000307	\$130.00	HEATER RECT. 2KW 240V 25FIN 3ELEMENT EBHE16K
290000230	4471000309	\$130.00	HEATER RECT. 2KW 240V 25FIN EBHE12K
335571	335571	\$32.00	OVERLOAD 115V SF10-1 (BUILT FROM MAR. '03)
335574	335574	CALL FOR PRICE	OVERLOAD 115V SF12-1 (BUILT FROM MAR. '03)
290332855	290332855	\$32.00	OVERLOAD 12K 115V RK5510E (SHR,SXR12 & SF12 BUILT THRU FEB. '03)
332858	332858	\$30.00	OVERLOAD 16K 115V RK5513E (SHR,SXR16, SF16)
290331404	290331404	\$34.00	OVERLOAD 16K 115V/AK8515 (SH,SX16, R16)
332859	332859	\$32.00	OVERLOAD 16K 220V RK5515E (SF16C, TURBO 16K 220V)
331405	331405	\$33.00	OVERLOAD 16K 220V/AKA8515EXD
335575	335575	\$32.00	OVERLOAD 220V SF12CK-1 (BUILT FROM MAR. '03)

## DX SPARE PARTS LIST

PART #	NEW ITEM #	LIST PRICE (USD)	DESCRIPTION
332850	332850	\$34.00	OVERLOAD 230V SF7C
4043100	4043100	\$26.00	OVERLOAD 5K 115V MRA99087-325
331406	331406	\$34.00	OVERLOAD 6K 115V/AE5465E (SH,SX7)
332849	332849	\$32.00	OVERLOAD 7K 115V RG5467E
332852	332852	\$32.00	OVERLOAD 9/10 115 RK5480E
4120007	4120007	\$26.00	OVERLOAD MRA-12370-117..30299 R417A 115V TURBO 12K, VC12K/2, VR12K/2, SXF12/2
290000110	290000110	\$24.00	OVERLOAD MRA-12371-729..30299
290000323	4471003339	\$17.00	OVERLOAD MRA-12372-729..30299
335573	335573	CALL FOR PRICE	OVERLOAD MRA-38126-113..30299
4120040	4120040	\$26.00	OVERLOAD MRA98533-325 14Z-Z50
4120038	4120038	CALL FOR PRICE	OVERLOAD MRA98706-325 10K
290000236	4471000321	\$26.00	OVERLOAD MRA98768 16K-230V
4120009	4120009	CALL FOR PRICE	OVERLOAD MRA98856 7K-230V
4120008	4120008	\$26.00	OVERLOAD MRA98866-325 7K-115V
290000235	4471000320	\$26.00	OVERLOAD MRA99027 10/12K-230V
4120039	4120039	CALL FOR PRICE	OVERLOAD MRA99052-325 10KZ
290000234	4471000318	\$26.00	OVERLOAD MRB5812-807 16K 115V
044700	TBD	CALL FOR PRICE	OVERLOAD OLD COPELAND 30101-16
4120061	4120061	\$35.00	OVERLOAD TECUMSEH 8300MRAT71
4120060	4120060	\$47.00	OVERLOAD TECUMSEH 8300MSPT89
4120057	4120057	\$33.00	OVERLOAD TECUMSEH 8300MSTH34
4120062	4120062	\$25.00	OVERLOAD TECUMSEH 8300MSTT72

Mobile living made easy.



## DX SPARE PARTS LIST

PART #	NEW ITEM #	LIST PRICE (USD)	DESCRIPTION
290330924	290330924	\$40.00	OVERLOAD THERM 140° AUTO RESET
290000111	290000111	\$48.00	OVERLOAD THERM 180° MANUAL RESET
334570	334570	CALL FOR PRICE	OVERLOAD*1.3-1.9A
334173	334173	CALL FOR PRICE	OVERLOAD*1.8-2.7A
334172	334172	CALL FOR PRICE	OVERLOAD*8-12A
290336573	290336573	\$95.00	OVERLOAD, 2.5-4A USE WITH 40 AMP CONTACTOR
224110091	9108549718	\$320.00	PUMP RELAY, 2-6 PRP CIRCUIT BOARD & THERMAL COMPOUND PACKET
290331170	290331170	\$170.00	RECEIVER, BI-FLOW CS6K - CS36K & EMERALDS 24-36K
290000226	4471000291	\$325.00	RECEIVER, BI-FLOW EMERALDS 48K ALL VOLTAGES
290332056	4471000249	\$50.00	RELAY 24V COIL 10A SPST ONE PER STAGE, SMALLEST
4134902	4134902	\$100.00	RELAY DPDT 230V 30 AMP
290339711	290339711	\$110.00	RELAY PC BOARD A-550
290331269	4471000286	\$85.00	RELAY POTENTIAL JPR 65
4128010	4128010	\$180.00	RELAY POTENTIAL JPR 66
290000220	4471000246	\$290.00	RELAY SOLID STATE 75 AMP
331721	331721	CALL FOR PRICE	RELAY START GE 3ARR22W24
298001157	298001157	\$140.00	RELAY START IGN PROTECTED (R30CK)
298001141	298001141	\$165.00	RELAY START IGN PROTECTED (R48CK)
298001216	298001216	\$230.00	RELAY START IGN PROTECTED GE3ARR3T1 (R20/36CK)
290339860	290339860	\$90.00	RELAY START MOTOR UMSR50
TR115	TR115	\$90.00	RELAY TRIGGER 115V
TR230	TR230	\$90.00	RELAY TRIGGER 230V

## DX SPARE PARTS LIST

PART #	NEW ITEM #	LIST PRICE (USD)	DESCRIPTION
710035040	9108561582	\$100.00	RESISTOR & CAP ASSY DC FAN
4146400	4146400	\$1.25	RESISTOR 56K OHM 2 WATT
290000020	290000020	\$21.00	RESISTOR 7.5K OHM 10W ALL RM UNITS
701820243	701820243	\$565.00	REVERSING VALVE ASSY A-509C R10-16
701820242	701820242	\$565.00	REVERSING VALVE ASSY A-511B SH/SX10-16
290339646	290339646	\$70.00	REVERSING VALVE ASSY EMERALDS 6K-10K ALL VOLTAGES
290339643	290339643	\$70.00	REVERSING VALVE ASSY EMERALDS 12-16K ALL VOLTAGES, VCD18-27K
290339644	290339644	\$70.00	REVERSING VALVE ASSY EMERALDS 24K-36K ALL VOLTAGES
290339645	290339645	\$125.00	REVERSING VALVE ASSY EMERALDS 48K ALL VOLTAGES
701820240	701820240	\$550.00	REVERSING VALVE ASSY R20/24
701830360	701830360	\$550.00	REVERSING VALVE ASSY R30/36
701820246	701820246	\$550.00	REVERSING VALVE ASSY R48 STRAIGHT TUBE
239100071	239100071	\$300.00	REVERSING VALVE ASSY TURBO 6-8K 115V W/SOLENOID
239100072	239100072	\$300.00	REVERSING VALVE ASSY TURBO 6-8K 220/230V W/SOLENOID
239100073	239100073	\$315.00	REVERSING VALVE ASSY TURBO 10-12K 115V W/SOLENOID
239100074	239100074	\$315.00	REVERSING VALVE ASSY TURBO 10-12K 220/230V W/SOLENOID
239100075	239100075	\$330.00	REVERSING VALVE ASSY TURBO 14-16K 115V W/SOLENOID
239100076	239100076	\$330.00	REVERSING VALVE ASSY TURBO 14-16K 220/230V W/SOLENOID
263400941	9108920127	\$720.00	SMX CONTROL, KIT DAHC HV COS 10' AIR SENSOR REMOTE BOX WITH HARNESS
722300288	722300288	\$395.00	SMXII CONTROL, A-288D, DUAL-PURPOSE REPLACEMENT SMXII HV POWER LOGIC BOARD
705600010	705600010	\$495.00	SMXII CONTROL, RETROFIT A-284, P/L BOX W/ HV BOARD A-288C (3-KNOB), 115/230V
705600011	705600011	\$590.00	SMXII CONTROL, RETROFIT NET BOARD TO U BOARD, 115/230V
290335055	290335055	\$26.00	START ASSIST. 370HM PTCR EMERALDS 16K

Mobile living made easy.

## DX SPARE PARTS LIST

PART #	NEW ITEM #	LIST PRICE (USD)	DESCRIPTION
332343	TBD	CALL FOR PRICE	STRAINER WITH CAP TUBE SF7K
290332341	290332341	\$80.00	STRAINER WITH CAP TUBE SF12K
290332340	290332340	\$49.00	STRAINER WITH CAP TUBE SF16K
297000050	297000050	\$105.00	SWITCH HIGH PRESSURE A-200, LINE DUTY, R417A/R22
297000048	297000048	\$47.00	SWITCH HIGH PRESSURE A-205, R417A/R22
297000047	297000047	\$105.00	SWITCH LOW PRESSURE A-201, R417A/R22
297000012	297000012	\$160.00	TEE ASSEMBLY HIGH PRESSURE, HIGH AMPERAGE, R417A/R22
297000014	297000014	\$155.00	TEE ASSEMBLY HIGH PRESSURE, LOW AMPERAGE
297000013	297000013	\$175.00	TEE ASSEMBLY LOW PRESSURE, HIGH AMPERAGE, R417A/R22
297000054	297000054	\$100.00	TEE PORT, LOW PRESSURE A-204, RETRO KIT, R417A/R22
290330417	290330417	\$130.00	VALVE, BASE 1/2F X 1/2S B
290330410	290330410	\$95.00	VALVE, BASE 1/4F X 1/4S B
290330416	290330416	\$110.00	VALVE, BASE 3/8F X 3/8S B
290330694	290330694	\$150.00	VALVE, BASE 5/8F X 5/8S B
290000059	290000059	\$225.00	VALVE, TXV R410A W/INTERNAL CHECK VALVE EMERALD 6K-16K
3080058	TBD	CALL FOR PRICE	VALVE, TXV R410A 2T W/INTERNAL CHECK VALVE EMERALD 24-30K & R410A EVAPS 18-30K
3080059	3080059	CALL FOR PRICE	VALVE, TXV R410A 3T W/INTERNAL CHECK VALVE EMERALD & R410A EVAPS 36-48K

## AU TABLES

HVZ CAPACITY	VOLTAGE	BLOWER	COIL ASY	CAPACITOR	MOUNT RING	BREATHE EASY BULB
6K	230V	298002028	298001950	290000098	228700211	290000295
9K	230V	298002030	298001675	2900000104	228700209	290000295
12K	230V	298002032	298001675	2900000102	228700209	290000295
18K	230V	298002033	298001881	2900000061	228700210	4210827
24K	230V	298002034	264400089	2900000118	228701034	4210827

DCZ CAPACITY	VOLTAGE	BLOWER	COIL *RAW	CAPACITOR	MOUNT RING	BREATHE EASY BULB
6K	230V	264400135	298001950	N/A	228700211	290000295
9K	230V	264400136	298001675	N/A	228700209	290000295
12K	230V	264400091	298001675	N/A	228700209	290000295
18K	230V	264400090	298001881	N/A	228700210	4210827
24K	230V	264400137	264400089	N/A	228701034	4210827

CAPACITY	VALVE 3 WAY	1KW HEATER	1.5KW HEATER	HIGH LIMIT OVERLOAD	LOW LIMIT OVERLOAD	UV LIGHT
<b>AU/AU-EU AIR HANDLERS - ALL CAPACITIES AND VOLTAGES WHERE APPLICABLE</b>						
6K - 24K	290000134	290000160	290000157	290000063	290330924	290000266

Mobile living made easy.

ITEM	NEW ITEM #	LIST PRICE USD	DESCRIPTION
264400091	264400091	\$1,625.00	BLOWER AU12DCZ 6"MR 230V
298002032	4471002782	\$485.00	BLOWER AU12HVZ 6"MR W/CAP
264400090	264400090	\$1,625.00	BLOWER AU18DCZ 7"MR 230V
298002033	4471002783	\$500.00	BLOWER AU18HVZ 7"MR W/CAP 230V
264400137	264400137	\$1,760.00	BLOWER AU24DCZ 8"MR 230V
298002034	4471002784	\$695.00	BLOWER AU24HVZ 8"MR W/CAP
264400135	264400135	\$1,485.00	BLOWER AU6DCZ 5"MR 230V
298002028	4471002778	\$475.00	BLOWER AU6HVZ 5"MR W/CAP
264400136	264400136	\$1,515.00	BLOWER AU9DCZ 6"MR 230V
298002030	4471002780	\$430.00	BLOWER AU9HVZ 6"MR W/CAP
4210827	4210827	\$120.00	BULB BREATHE EASY 18-24K
290000295	4471000713	\$110.00	BULB BREATHE EASY 6-12K
290000061	290000061	\$20.00	CAPACITOR 6K HVZ
290000118	290000118	\$20.00	CAPACITOR 9K HVZ
290000098	290000098	\$20.00	CAPACITOR 12K HVZ
290000104	290000104	\$20.00	CAPACITOR 18K HVZ
290000102	290000102	\$20.00	CAPACITOR 24K HVZ
298001950	298001950	\$765.00	COIL AU6K
298001675	298001675	\$885.00	COIL AU9K-12K
298001881	298001881	\$985.00	COIL AU18K
298001675	298001675	\$885.00	COIL ASY W/VALVE AU9-12K
298001881	298001881	\$985.00	COIL ASY W/VALVE AU18K
264400089	264400089	\$1,110.00	COIL ASY W/VALVE AU24K
293600556	293600556	\$720.00	FLOW REGULATOR 6K W/SENSOR WELL, BRASS HOSE BARB AND 3WAY CONNECTOR
228700211	9610000010	\$21.00	MOUNT RING 5" 6K
228700209	9610000008	\$23.00	MOUNT RING 6" 9-12K
228700210	9610000009	\$26.00	MOUNT RING 7" 18K
228700215	9610000022	\$47.00	MOUNT RING 8" 24K
290000134	290000134	\$280.00	VALVE 3 WAY
290000160	290000160	\$115.00	HEATER 1KW
290000157	290000157	\$130.00	HEATER 1.5KW
290000063	290000063	\$70.00	OVERLOAD THERM 240DEG
290330924	290330924	\$40.00	OVERLOAD THERM 140DEG
290000266	4471000609	\$125.00	UV LIGHT SMALL WHITE AU

## ATL TABLES

CAPACITY	VOLTAGE	BLOWER	CAPACITOR	COIL	MOUNT RING	3-WAY VALVE
<b>ATL HVZ</b>						
6K	230V	298002028	290000098	298001951	228700209	290000134
9K	230V	298002030	2900000104	298001951	228700209	290000134
12K	230V	298002028	2900000104	3020058*	228700209	290000134
18K	230V	298002030	2900000104	3020058*	228700209	290000134
24K	230V	298002034	2900000118	360220*	228701034	290000134
36K	230V	298002033	2900000061	330898*	228701034	290000134

CAPACITY	VOLTAGE	BLOWER	CAPACITOR	COIL	MOUNT RING	3-WAY VALVE
<b>ATL DCZ</b>						
6K	230V	290000019	N/A	298001951	228700209	290000134
9K	230V	290000019	N/A	298001951	228700209	290000134
12K	230V	290000019	N/A	3020058*	228700209	290000134
18K	230V	290000019	N/A	3020058*	228700209	290000134
24K	230V	290000024	N/A	360220*	228701034	290000134
36K	230V	290000024	N/A	330898*	228701034	290000134

\* RAW PART

	VOLTAGE	HIGH LIMIT SWITCH	LOW LIMIT SWITCH	UV BALLAST	HEATER 1KW	HEATER 1.5KW
ALL CAPACITIES	230V	4210034	290330924	290000266	290000160	290000157

Mobile living made easy.

ITEM	NEW ITEM #	LIST PRICE USD	DESCRIPTION
290000134	290000134	\$280.00	3-WAY VALVE 230V
290000019	290000019	\$1,320.00	BLOWER 6-18K DCZ
290000024	290000024	\$1,435.00	BLOWER 24-36K DCZ
298002028	4471002778	\$475.00	BLOWER ATL6 AND 12K HVZ
298002030	4471002780	\$430.00	BLOWER ATL9K AND 18K HVZ
298002034	4471002784	\$695.00	BLOWER ATL24K HVZ
298002033	4471002783	\$500.00	BLOWER ATL36K HVZ
290000098	290000098	\$20.00	CAPACITOR 6K HVZ
290000104	290000104	\$20.00	CAPACITOR 9-18K HVZ
290000118	290000118	\$20.00	CAPACITOR 24K HVZ
290000160	290000160	\$115.00	HEATER 1KW 240V 17-FIN
290000157	290000157	\$130.00	HEATER 1.5KW 240V 25-FIN
290000063	290000063	\$70.00	HIGH LIMIT SWITCH
290330924	290330924	\$40.00	LOW LIMIT SWITCH
228700209	9610000008	\$23.00	MOUNT RING 6-18K
228700215	9610000022	\$47.00	MOUNT RING 24-36K
290000266	4471000609	\$125.00	UV BALLAST

## CW SPARE PARTS LIST

LEGACY ITEM #	NEW ITEM #	LIST PRICE (USD)	DESCRIPTION
290334275	4471000208	\$23.00	ADAPTER, SW MANIFOLD, 5/8 X 1/2MPT
<i>*NOTE: ALL BLOWERS NOW COME STANDARD WITH INSULATION AND CAPACITOR</i>			
298002026	4471002776	\$375.00	BLOWER 4K HVZ 230V - AT4
298002027	4471002777	\$390.00	BLOWER 6-12K HV 115V - AH6DT2, AT6, ATL6K & ATL12K (2 PER UNIT 12K), FA3-6
298002028	4471002778	\$475.00	BLOWER 6-8K HVZ 230V - AU6, AT12-MU, AT18-MU, FA3-6C
298002029	4471002779	\$430.00	BLOWER 9-12K HV 115V - AH9DT2, AT9, ATL9K & ATL18K HV 115V (2 PER UNIT 18K), FA7.5 & 9
298002030	4471002780	\$430.00	BLOWER 9K HVZ 230V - AU9 AMD AT9, FA7.5 & 9C
298002031	4471002781	\$485.00	BLOWER 12-16K HV 115V - AH12DT2, VH16, AT12
298002032	4471002782	\$485.00	BLOWER 16K HVZ 230V - AU12, AT12, ABL24
298002033	4471002783	\$500.00	BLOWER 18K HVZ 230V - AU18K, AT18, AH16-18DT2Z, AT24
298002037	4471002961	\$495.00	BLOWER 18K HVZ 115V - AU18K, AT18, AH16-18DT2, AT24
298002034	4471002784	\$695.00	BLOWER 24-36K HVZ 230V - AU24, AT36, AH24DTZ
264400135	264400135	\$1,485.00	BLOWER AU6DCZ 5"MR 230V
264400136	264400136	\$1,515.00	BLOWER AU9DCZ 6"MR 230V
264400091	264400091	\$1,625.00	BLOWER AU12DCZ 6"MR 230V
264400090	264400090	\$1,625.00	BLOWER AU18DCZ 7"MR 230V
264400137	264400137	\$1,760.00	BLOWER AU24DCZ 8"MR 230V
264400008	264400008	\$410.00	BLOWER AT4FZ 4"MR 230V
293042093	293042093	\$1,455.00	BLOWER INS AH24DT(Z)/FD(Z) 8MR, 115V/230V
293042086	293042086	\$490.00	BLOWER INS AH4FDZ 4"MR, 230V
291617014	291617014	\$540.00	BLOWER INS AH6DT2Z, AT6HVZ W/CAP, 230V
291617011	291617011	\$705.00	BLOWER INS AH9DT2Z, AT9HVZ W/CAP, 230V
291617006	291617006	\$760.00	BLOWER INS AH12DT2Z W/CAP, 230V
291617001	291617001	\$655.00	BLOWER INS 16-18, FDHVZ, DT2Z HV W/CAP 230V

Mobile living made easy.



## CW SPARE PARTS LIST

LEGACY ITEM #	NEW ITEM #	LIST PRICE (USD)	DESCRIPTION
264400021	264400021	\$1,400.00	BLOWER AT6DC 5"MR 230V
264400020	264400020	\$1,405.00	BLOWER AT9DC 6"MR 230V
264400019	264400019	\$1,540.00	BLOWER AT12DC/ABL24DCZ 6"MR 230V
264400018	264400018	\$1,515.00	BLOWER AT18DC 7"MR 230V
264400017	264400017	\$1,630.00	BLOWER AT24DCZ 8"MR 230V
264400016	264400016	\$1,825.00	BLOWER AT36DCZ 8"MR 230V
264400023	264400023	\$1,565.00	BLOWER AT18DC-MU 7"MR 230V
264400024	264400024	\$1,765.00	BLOWER AT24DCZ-MU 8"MR 230V
264400025	264400025	\$1,815.00	BLOWER AT36DCZ-MU 8"MR 230V
290000019	290000019	\$1,320.00	BLOWER ATL6-18K DCZ 230/50-60/1 (2 PER UNIT 12K AND 18K)
290000024	290000024	\$1,435.00	BLOWER ATL24-36K DC-E 230/50-60/1 (2 PER UNIT 36K)
290000067	290000067	\$315.00	BLOWER ATL24-36K HV 115V (2 PER UNIT)
264400065	264400065	\$470.00	BREATHE EASY RETROFIT KIT AU6-12
264400066	264400066	\$490.00	BREATHE EASY RETROFIT KIT AU18-24
763100061	9108697567	\$530.00	CANBUS ADAPTER BOARD Q-LOGIC NETWORKS
290000104	290000104	\$20.00	CAP, 3 MFD WITH SPADES 9K HVZ 230V - AT, ATL, ABL18, AU
290000098	290000098	\$20.00	CAP, 4 MFD WITH SPADES AT6,12,18,24HVZ 230V
290000102	290000102	\$20.00	CAP, 5 MFD WITH SPADES 12K HVZ 230V - AT, ATV, ABL24, AU
290000061	290000061	\$20.00	CAP, 6 MFD WITH SPADES 18K-24K HVZ 230V AT, ATL36, ATV, AU
290000118	290000118	\$20.00	CAP, 8 MFD WITH SPADES 24K & 36K HVZ 230V - AT, ATL, ATV, AU
290000079	290000079	\$35.00	CAP, 10 MFD WITH SPADES 9K & 12K HV 115V - AT, ATL, ATV, AU
290330750	290330750	\$25.00	CAP, 16 MFD WITH SPADES 6K & 12K HV 115V - AT, ATV, AU
290000301	4471000811	\$25.00	CAP, 20 MFD WITH SPADES 18K-24K 115V HV - AT, ATL, AU
290331103	290331103	\$21.00	CAP, 2 MFD FAN RUN CAPACITOR AH4FDZ-HV

## CW SPARE PARTS LIST

LEGACY ITEM #	NEW ITEM #	LIST PRICE (USD)	DESCRIPTION
290333345	290333345	\$21.00	CAP, 5 MFD FAN RUN CAPACITOR AH6, 9, 12, 18, 24
290336556	4471000188	\$115.00	CONTACTOR, 40A 3P 240V CWMC, TWLC
290336557	290336557	\$140.00	CONTACTOR, 40A 3P 24V COIL
223100502	223100502	\$350.00	CONTROL-U BOARD CW/DX
223100503	223100503	\$675.00	CONTROL-U BOARD CW/DX NETWORK
297000044	297000044	\$120.00	CONTROL, A-4215, ROTARY FAN SPEED, 115V
297000046	297000046	\$120.00	CONTROL, A-4216, ROTARY FAN SPEED 230V
290000201	4220002	\$665.00	CONTROL DDC, NEW DUAL VOLTAGE 115/230V (REPLACES 333647 & 333576)
290000200	4471000148	\$695.00	CONTROL, DDC 2-SPEED 115/230V
263600170	9108717866	\$755.00	CONTROL, REPL KIT CWMC WITH NEW REV H BOARD AND MOUNTING PLATE
290000203	4471000151	\$685.00	CONTROL, CWMC NEW REV H (THIS REPLACES PART NUMBER 334618)
701800005	701800005	\$280.00	CONTROL, TW BOARD Q LOGIC
263401101	263401101	\$855.00	CONTROL, TWLC BOARD-REV B
290000293	4471000711	\$155.00	CONTROL, DC CONVERTER BOARD UNIVERSAL
297000043	297000043	\$100.00	COS, CHANGEOVER T-STAT WITH SPRING
290337469	4471000116	\$215.00	CURRENT TRANSDUCER 30 AMP USED ON PLC CHILLER CONTROLS
763300034	9108562971	\$30.00	EPROM REPL CHILLER MPE BOARD
263600104	263600104	\$350.00	HARNESS 1-STAGE DDC REMOTE SWITCH, 25FT
263600107	263600107	\$435.00	HARNESS 2-STAGE DDC REMOTE SWITCH, 25FT
263600108	263600108	\$510.00	HARNESS 3-STAGE DDC REMOTE SWITCH, 25FT
263600114	263600114	\$675.00	HARNESS 4-STAGE DDC REMOTE SWITCH, 25FT
290000148	290000148	\$435.00	HARNESS, MTD SECONDARY LPS, NO SOLENOID COIL, NO FLOW SWITCH REED

Mobile living made easy.

## CW SPARE PARTS LIST

LEGACY ITEM #	NEW ITEM #	LIST PRICE (USD)	DESCRIPTION
290000161	290000161	\$130.00	HEAT ELEMENT AT'S, RECTANGULAR, 1KW, 240V
290000155	290000155	\$130.00	HEAT ELEMENT AT'S, RECTANGULAR, 1 5KW, 120V
290000158	290000158	\$130.00	HEAT ELEMENT AT'S, RECTANGULAR, 1 5KW, 240V
290000165	290000165	\$130.00	HEAT ELEMENT AT'S, RECTANGULAR, 2KW, 120V
290000230	4471000309	\$130.00	HEAT ELEMENT AT'S, RECTANGULAR, 2KW, 240V
290000270	4471000638	\$20.00	KNOB BLACK MYLAR
290330924	290330924	\$40.00	OVERLOAD THERMAL, AUTO-RESET, 140F (PHD & ALL CW AHS, INCLUDING FAMU'S)
290000063	290000063	\$70.00	OVERLOAD THERMAL, MAN-RESET, 240F (AT, ABL, ATL, ATV)
290337488	4471000082	\$180.00	POWER SUPPLY 115/230-24VDC 4.2A
333972	333972	\$125.00	SENSOR HYDRO/XTC SRV 20' CABLE
297000051	297000051	\$160.00	SENSOR TEMP, REPL A-415, A-350 CONTROLS (MPA UNITS)
4062305	4062305	\$100.00	SENSOR TEMP, TWLC (MPE) AND RANCO ETC (MPC)
290000177	4471000099	\$105.00	SWITCH, 3 POSITION, ROTARY, SA1/SA3/SSA3/DSA
290000178	4471000100	\$85.00	SWITCH, 2 POSITION, ROTARY 2-SPEED FAN
290333708	4471000720	\$16.00	SWITCH ROCKER USED WITH CHC DDC, 10A SPDT
290332025	4471000091	\$195.00	SWITCH FLOW (V10), BRASS BODY WITH REED SWITCH
290000172	4471000090	\$225.00	SWITCH FLOW BLACK PLASTIC (NOT INTERCHANGEABLE WITH 332025 SWITCH ABOVE)
297704439	297704439	\$270.00	SWITCH FLOW A-400 WITH RESISTOR, CUT PADDLE
297704443	297704443	\$125.00	SWITCH FLOW A-403 REPL REED WITH RESISTOR #1061700
263400005	9108552253	\$310.00	SWITCH HI LIMIT - HIGH-TEMPERATURE SAFETY, 24V (REPLACES 332241)
290333361	4471000719	\$110.00	SWITCH REED V10 FLOW SWITCH 332025
290000182	4471000108	\$125.00	THERMOSTAT ANTICIPATING HEAT AND COOL, SA3/SSA3/DSA
290332704	4471000718	\$105.00	THERMOSTAT ANTICIPATING *COOL ONLY, C12-5187
290000302	4471001044	\$45.00	TIMER DELAY (DELAY ON MAKE 18-240VAC)

## CW SPARE PARTS LIST

LEGACY ITEM #	NEW ITEM #	LIST PRICE (USD)	DESCRIPTION
290332501	290332501	\$230.00	TRANSFORMER, 380VAC PRIMARY/240VAC SECONDARY
335168	335168	\$160.00	VALVE, ACTUATOR ONLY, ERIE "POP-TOP"™, 115V
335169	335169	\$160.00	VALVE, ACTUATOR ONLY, ERIE "POP-TOP"™, 230V
333837	333837	\$375.00	VALVE, 3-WAY & ACTUATOR, 115V, 3/4" IFL, ERIE "POP-TOP"™
290000069	290000069	\$280.00	VALVE, 3-WAY & ACTUATOR, 115V, 1/2" SWEAT, REPL ERIE "POP-TOP"™ & SINRO (PLASTIC)
290000134	290000134	\$280.00	VALVE, 3-WAY & ACTUATOR, 230V, 1/2" SWEAT, REPL ERIE "POP-TOP"™ & SINRO (PLASTIC)
290335808	290335808	\$570.00	VALVE, 3-WAY & ACTUATOR, 230V, 1" SWEAT, ERIE "POP-TOP"™
291613033	291613033	\$90.00	VALVE, 40" WATER BLEEDER ASY W/NYLON TUBE & ELBOW FITTING
332063	332063	\$145.00	VALVE, MOTOR ONLY 3-WAY, 115V (SEE NOTE)
332002	332002	\$150.00	VALVE, MOTOR ONLY 3-WAY, 230V (SEE NOTE)

### NOTES:

1. SINRO VALVES AND REPLACEMENT PARTS ARE NO LONGER AVAILABLE. THE MOTORS LISTED ABOVE CAN BE USED ON SINRO AND ERIE VALVES.

IF THE MOTOR ALONE WILL NOT SUFFICE, THEN REPLACE A SINRO VALVE WITH THE APPROPRIATE VOLTAGE OF THE SWEAT ERIE VALVE.

DO NOT ATTEMPT TO REPLACE A SINRO WITH AN IFL ERIE VALVE. REFER TO 2009 FIELD NOTICE 294-K09 FOR MORE INFORMATION.

2. ACTUATOR NOTE: ERIE IFL AND SWEAT VALVES USE THE SAME ERIE ACTUATOR.

3. SIZING NOTE: 1/2" SWEAT VALVES FIT 5/8" OD COPPER TUBING. 3/4" IFL (INTERNAL FLARE) VALVES FIT FLARED 5/8" OD COPPER TUBING. 1" SWEAT FITS 1-1/8" OD COPPER TUBE.

4. ERIE/INVENSYS/TAC NOTE: ERIE, INVENSYS, AND TAC ARE DIFFERENT NAMES FOR THE SAME VALVE MANUFACTURER AND SAME VALVES.

5. MOTOR ONLY NOTE: "MOTOR ONLY" PART NUMBERS REQUIRE THE ACTUATOR TO BE OPENED AND THE MOTOR ITSELF REPLACED. THIS IS NOT AN EASY OPERATION, ESPECIALLY IF THE AIR HANDLER IS INSTALLED. WE RECOMMEND REPLACING THE ENTIRE ACTUATOR INSTEAD.

EXCEPTION: IF YOU HAVE A SINRO VALVE, IT IS EASIER TO REPLACE THE MOTOR THAN TO REPLACE THE ENTIRE VALVE. AIR HANDLERS BUILT BEFORE 2000 MAY NOT HAVE REMOVABLE ACTUATORS. IN THAT CASE, REPLACING THE MOTOR MAY BE PREFERABLE TO REPLACING THE ENTIRE VALVE.

## CWMC-OTS ELECTRIC BOXES (CHILLED WATER MASTER CONTROL "OFF THE SHELF")

THIS ELECTRIC BOX CAN BE USED WITH 2 TO 6 STAGE MCW CHILLERS WITH DDC CONTROLS AS EITHER A FIELD RETROFIT (SEE NOTES BELOW) OR IT CAN BE ORDERED WITH A NEW CHILLER. THE BOX CONTAINS THE CWMC CIRCUIT BOARD, SW & CW PUMP CONTACTORS (AND OVERLOADS IF 3 PH), A TERMINAL BLOCK PUMP & POWER CONNECTIONS, AND THE CWMC DISPLAY IN THE LID. CIRCUIT BREAKERS ARE NOT INCLUDED.

263600141	9108552304	\$2,150.00	SINGLE PHASE CWMC-OTS BOX WITH TWO 230VAC PUMP CONTACTORS.
263600142	9108552305	\$2,145.00	SINGLE PHASE CWMC-OTS BOX WITH TWO 115VAC PUMP CONTACTORS.
263120361	9600002054	\$660.00	CWMC DISPLAY, BLACK 2

### NOTES:

1. BOX DIMENSIONS: STANDARD IS 14"HX12"WX4.7"D, ADD 1 OR 2 PUMPS AND DIMENSIONS ARE 11"H X 15" W X 4.7"D.

2. NEED TO SPECIFY 3 PHASE PUMP VOLTS & AMPS AND/OR HORSEPOWER WHEN ORDERING 3 PHASE BOXES.

3. 380-460VAC POWER SUPPLIED CHILLERS SHOULD USE THE 230VAC PUMP CONTACTOR OTS BOXES.

4. COMMUNICATION CABLES AND WATER SENSORS CAN BE FOUND ON PAGE 45.

Mobile living made easy.

### **Dometic manufactures a broad range of products that are made available to our extensive customer base in two distinct categories:**

1. The Majority of our sales volume is derived from products that are ordered on a consistent basis and therefore are placed into our Stocking Profile Matrix (SPM). These items are classified as Standard/Stock because we generally have multiple customers for like items and we produce these products on a continuous basis.

2. We also offer for sale, a wide variety of products that do not meet the criteria for SPM but we have established part numbers along with current pricing for them. These products are manufactured as the result of a specific customer's request and are only built to order. To distinguish between SPM products and these products, we classify them in our computer system as Active Special Order. So that we continue to meet the demands of all customers and stay flexible with our manufacturing mix, these products are only built to order.

In order to ensure that we make the best use of our resources, we find it necessary to establish a firm order cancellation policy and in some cases request a deposit before an order is started in manufacturing.

Any product ordered that is categorized as "active special order" will be considered non-cancellable. In addition, we reserve the right to request a deposit on any order that contains items that are designated as "active special order". The status of all parts can be viewed on the E-Dometic website at anytime.

How does this work? Once the order is acknowledged, a deposit is received (if requested) and the parts ordering/manufacturing process is started, these items are non-cancellable.

An exception to the above is the process of Custom Wood Grilles and Custom Plenums. These items can be cancelled up to 5 business days prior to scheduled ship date.

### **Definitions:**

#### **1. Stocking Profile (A)**

Products that are regularly sold and have activity at least 8 of the last 12 months and sold to multiple customers.

#### **2. Active Special (AS)**

All items sold or used less than 7 out of the last 12 months or sold only to a single customer.

#### **3. Obsolete (K)**

Items with no history in the past eighteen months.

All order confirmations clearly indicate if an item ordered is a special order. If you buy direct from Dometic you have access to our E-Dometic site that shows the status of all parts. If you purchase through a dealer or Distributor please contact them in advance of placing your order if you are uncertain about the status of the part you are ordering and have them confirm the status for you.

## AUTHORIZED INTERNET RESELLER AGREEMENT PROGRAM

Dometic Marine is planning to establish an **Authorized Internet Reseller Agreement Program**. This program will encompass certain products listed in this Price List, as well as certain other customer-specific items that are included in the Excel Spreadsheet version that is available with this book.

### **If you resell our products online, this policy will apply to you.**

Dometic Marine and our dealers have invested years in training and installation techniques to ensure optimum product functionality and longevity. The majority of our products are not “do-it-yourself” items. Therefore, to ensure proper installation we will take the following steps:

- Any and all resellers that want to sell the Dometic Products authorized for sale online will be required to sign and adhere to an Authorized Internet Reseller Agreement. This document will define:
  - The specific products permitted for sale online\*
  - The specific URLs/Marketplaces approved to sell these products
  - The term and territory of this authorization

\* The majority of the products in this book will **NOT BE AUTHORIZED** to be sold on the internet. While Dometic reserves the right to make changes, we anticipate authorizing only a small number of product categories.

- Anyone wishing to resell any of the Dometic Marine approved products over the internet will need to sign an Authorized Internet Reseller Agreement with Dometic.

### **For more information about this program, contact:**

**By Email:** [MarineInternet@dometic.com](mailto:MarineInternet@dometic.com)

**By Phone:** 954-973-2477

**By Post:** Dometic Corporation  
2000 N. Andrews Ave.  
Pompano Beach, FL 33069 USA





2000 N. Andrews Ave.  
Pompano Beach, FL 33069 USA

Phone: 954-973-2477  
Fax: 954-979-4414

Sales and Service within Europe and the Middle East, please call +44 870 -330-6101

[marinesales@dometic.com](mailto:marinesales@dometic.com)

PART NO. PRICE-RMD211

