

EFFECTIVE FROM 1 JANUARY 2023

MARINE PRICE LIST AIR CONDITIONING & REFRIGERATION

Mobile living made easy.



DTG TURBO UNITS	5
115V 50/60HZ Units	5
115V 50/60HZ T UNITS WITH SMART START	5
220-240V 50/60HZ UNITS	5
220-240V 50/60HZ TURBO GLOBAL UNITS WITH SMART START	5
ALUMINUM RA PLENUMS FOR TURBO GLOBAL UNITS	5
SPECIFICATIONS FOR DTG TURBO UNITS	6
DCU & DLU	7
DOMETIC COMPACT UNITS (DCU)	7
DOMETIC LOW PROFILE UNITS (DLU)	7
DOMETIC LOW-PROFILE PLENUMS & TRANSITION RING	7
SPECIFICATIONS FOR DCU & DLU UNITS	7-8
ECD & CUDDY II	9
ENVIROCOMFORT SELF CONTAINED UNITS, R410A	9
CUDDY II	9
SPECIFICATIONS FOR ECD & CUDDY II UNITS.....	9
DOMETIC EMERALD UNITS, R410A	10
DOMETIC EMERALD UNITS, R410A	10
DOMETIC EMERALD TITANIUM UNITS, R410A	10
SPECIFICATIONS FOR EMERALD UNITS	11-13
EVAP - TVE, EBE, EBLE, EDLE, EBDE	14
EMERALD SERIES TURBOVAP UNITS, R410A WITH MOUNT RING	14
EBE SERIES EVAPORATOR UNITS, R410A.....	14
EBLE LOW PROFILE DRAW-THROUGH SERIES EVAPORATOR UNITS, R410A.....	14
EDLE THE BREEZE LOW PROFILE EVAPORATOR UNITS, R410A	14
EBDE DIRECT-DRIVE COOLING UNITS, R410A	14
EDL THE BREEZE LOW PROFILE EVAPORATOR UNITS, R417A	14
ACCESSORIES FOR TURBOVAP UNITS	15
SPECIFICATIONS FOR EVAP UNITS	15-17
AIR COOLED UNITS	18
RADOME UNITS AIR-COOLED A/C (FOR COOLING OF RADAR/COMMUNICATION DOMES).....	18
SPECIFICATIONS FOR AIR COOLED UNITS	18
DURASEA CONDENSERS	19
DURASEA CONDENSING UNITS BASE MODELS	19
SPECIFICATIONS FOR DURASEA CONDENSING UNITS	19
ADDER TO THE BASE UNIT LIST.	21
ACCESSORIES	21
VARC & PLC CHILLERS	22
VARIABLE CAPACITY CHILLER.....	22
SPECIFICATIONS FOR VARCX CHILLERS	22-23
MCGX & TWCX PLC CHILLERS	24
MCGX BASE UNITS WITH PLC	24
MCGX BASE UNITS WITH PLC 90K-180K	24
MCGXLP BASE UNITS WITH PLC.....	24
TWCX BASE UNITS WITH PLC	24
SPECIFICATIONS FOR MCGX & TWCX PLC CHILLERS	25-27
CHILLER BASES & MANIFOLDS	28
ALL CHILLER BASES & MANIFOLDS.....	28

ELECTRICAL PANEL	29
PLC CONTROL PANEL STANDARD PACKAGE	29
PLC CONTROL PANEL PLATINUM PACKAGE	29
PLC PANEL PLATINUM PACKAGE UPGRADES	29
PLC PANEL OPTIONAL ADDITIONAL PARTS	30
PLC PARTS DESCRIPTIONS	30
STIIC	30
PLC-OTS ELECTRIC BOXES FOR PLC CHILLER MODULES	31
SINGLE-UNIT MPLC MODULAR CONTROL PANELS	
CRUISAIR MTDV (CRUISAIR ONLY)	31
PLC CONTROL PANEL PARTS	31
OTHER CHILLED WATER ACCESSORIES.....	32
DDC MECHANICAL ROCKER SWITCH CONTROL	32
VFD TO CHILLER REFERENCE	33
MCGX & MTCGX	34
MCGX TITAN MODULES REVERSE CYCLE, R410A REFRIGERANT, DDC CONTROL - LEGACY.....	34
MCGX-LP TITAN 'LOW PROFILE' MODULES REVERSE CYCLE ..	34
CRUISAIR AUTHORIZED DISTRIBUTORS AND DEALERS ONLY	35
TWCX	36
TWCX TITAN CHILLERS WITH DDC CONTROL PANEL	36
TWCX CHILLERS WITH DDC CONTROL PANEL AND SMARTSTART	36
AIR HANDLERS	37
AU AIR HANDLERS WITH HIGH VELOCITY BLOWERS	37
AU AIR HANDLERS WITH HV BLOWERS AND HEATING	37
AU AIR HANDLERS, WITH DC BLOWERS	37
AU AIR HANDLERS WITH DC BLOWERS AND HEATING	37
AHU AIR HANDLERS.....	37
SPECIFICATIONS FOR AIR HANDLERS.....	40-47
EUROPEAN VERSION AIR HANDLERS	37
AU-EU AIR HANDLERS, WITH HV BLOWERS.....	37
AU-EU AIR HANDLERS, WITH HV BLOWERS AND HEATING	37
AU-EU AIR HANDLERS, WITH DC BLOWERS.....	38
AU-EU AIR HANDLERS, WITH DC BLOWERS AND HEATING ..	38
CONTROL BOX AU-EU HIGH VELOCITY BLOWERS.....	38
CONTROL BOX AU-EU DC BLOWERS	38
AT HIGH VELOCITY AIR HANDLERS	38
AT-DC 36K AIR HANDLERS	38
ATL DRAW-THROUGH AIR HANDLERS, WITH HV BLOWERS... ..	38
ATL DRAW-THROUGH AIR HANDLERS, WITH DC BLOWERS... ..	38
ABL HORIZONTAL AIR HANDLERS, WITH HV BLOWERS	39
ABL HORIZONTAL AIR HANDLERS, WITH DC BLOWERS	39
ATV VERTICAL DRAW-THROUGH AIR HANDLERS, WITH HV BLOWERS	39
ATV VERTICAL DRAW-THROUGH AIR HANDLERS, WITH DC BLOWERS	39
FRESH AIR MAKEUP AIR HANDLERS WITH DC BLOWERS AND PULSE HEAT CONTROL	39
DOMETIC AIR HANDLER CONTROL PACKAGE.....	39
NEW AIR HANDLER FLOW CONTROLS.....	39
SPECIFICATIONS FOR AIR HANDLERS.....	40-47

CLIMATE CONTROLS & ELECTRONICS48

CAP TOUCH & SMART TOUCH DX CONTROL	48
MARINE AIR ELITE DISPLAY	48
CRUISAIR Q LOGIC DISPLAY	48
PASSPORT I/O DISPLAY	48
CRUISAIR SMX DISPLAYS.....	48
MECHANICAL CONTROLS	48
PROGRAMMED LOGIC CONTROL.....	48
SMART TOUCH CHILLED WATER CONTROL.....	48
CRUISAIR TWLC DISPLAY	49
ESKIMO ICE DISPLAY	49
DIGITAL UPGRADE RETROFIT KITS.....	49
ECU MAXX DISPLAY RETROFIT PLATE TO ELITE OR PASSPORT I/O DE RETROFIT KITS.....	49
ECU UPGRADE TO ELITE OR PASSPORT I/O.....	49
PASPORT UPGRADE TO ELITE OR PASSPORT I/O.....	49
PASSPORT II UPGRADE TO ELITE OR PASSPORT I/O.....	49
ELITE RETROFIT COVER PLATE.....	49
CRUISAIR RETROFIT KITS.....	49
MARINE AIR 8-PIN DISPLAY CABLES	50
WATER SENSORS	50
TEMPERATURE/HUMIDITY SENSORS	50
CONTROL AND NETWORK CABLES	50
ALTERNATE AIR SENSOR OPTION - DTU / ECD / DCU / CMCD / CSD	50
ADAPTERS, ETC.	50
BEZELS	50

PUMPS & PUMP ASSEMBLIES.....52

SUBMERSIBLE PUMPS - PML	52
SELF PRIMING PUMPS	52
CIRCULATED WATER PUMP PACKAGE.....	52
PUMP ACCESSORIES.....	52

MAGNETIC DRIVE PUMPS53

P030 PUMPS.....	53
P045 PUMPS.....	53
P062 PUMPS	53
P075 PUMPS	53
P100 PUMPS	53
P137 PUMPS.....	53
P150 PUMPS	53
P200 PUMPS.....	53
PUMP PACKAGES	53
WEAR KITS	53
WET END.....	53

PUMP ACCESSORIES55

SEAWATER STRAINERS	55
THROUGH-HULL FITTINGS.....	55
HOSE BARBS/ADAPTERS.....	55
PUMP MANIFOLDS - PVC CONSTRUCTION	55
SEAWATER HOSE/KITS	55
IMPELLERS	55-56
LEGACY PUMPS SEAL/GASKET KITS.....	56
WATER FITTINGS & MANIFOLDS BRONZE/CUPRONICKEL....	56
PUMP RELAYS.....	56
SOLID STATE RELAYS, TRIGGERS & PARTS.....	56

CW LOOP COMPONENTS.....57

EXPANSION TANKS.....	57
FILL COMPONENTS.....	57
AIR/DIRT/AIR-AND-DIRT SEPARATORS.....	57
LOOP Y-STRAINERS	57
BALANCING FLOW CONTROLS (SEE NOTE)	57

ADD-ONS AND SPECIAL UNITS58

SOUND COVERS (TURBO UNITS)	58
SMART START™ DEVICES (REDUCE STARTUP SURGE)	58
AUXILIARY DUCT HEATERS (HEAT MODULES)	58
PILOT HOUSE DEFROSTER	58
AUX. HEATER ASSEMBLIES FOR AU UNITS.....	58

AIR FILTERS.....59

BLACK MESH FILTERS SELF-CONTAINED UNITS	59
MICRO-PARTICLE ANTI-ALLERGENIC FILTERS FOR SELF-CONTAINED UNITS	59
REPLACEMENT FILTERS FOR AU AIR HANDLERS	59
REPLACEMENT FILTERS FOR AT AIR HANDLERS.....	59

GRILLES60

ROUND PLASTIC GRILLES.....	60
PLASTIC DISCHARGE GRILLES WITH PLENUMS	60
PLASTIC GRILLES WITH MOUNTING FRAMES	60
ALUMINUM RETURN AIR GRILLES NO FILTER.....	61
ALUMINUM RETURN AIR GRILLES WITH FILTER.....	61
ALUMINUM DOUBLE DEFLECTION SUPPLY GRILLES WITH FRONT BLADES VERTICAL	62
ALUMINUM DISCHARGE GRILLES WITH SHUTOFF DAMPER..	62
ALUMINUM SUPPLY AIR GRILLES - HORIZONTAL LOUVERS	62
ALUMINUM SUPPLY AIR GRILLES - VERTICAL LOUVERS.....	62
TEAK/BRONZE RETURN AIR WOOD GRILLES (WITH FILTER)...	63
TEAK SUPPLY AIR WOOD GRILLES	63
TEAK SUPPLY AIR WOOD GRILLES WITH SHUTOFF DAMPER..	63

DUCTING & PLENUMS64

FLEXIBLE AIR DUCT	64
PLASTIC GRILL TRANSITION BOXES WITH SIDE CONNECTIONS (ON LONG DIMENSION).....	64
PLASTIC GRILL TRANSITION BOXES.....	64-65
PLASTIC DUCT TEES, ADJUSTABLE BAFFLE	65-66
PLASTIC BLOWER TS, ADJUSTABLE BAFFLE (MOUNTS OVER EXISTING HOSE ADAPTER).....	66
PLASTIC BLOWER YS, ADJUSTABLE BAFFLE.....	66
ALUMINUM MOUNT RINGS	66
PLASTIC BLOWER MOUNT RINGS	67
PLASTIC/ALUMINUM TRANSITION RINGS/HOSE ADAPTERS...67	
T-BOXES (A.K.A. T-BOX BLOWER PLENUMS).....	67

INSTALLATION ACCESSORIES68

TUBE INSULATION	68
CONDENSATE DRAIN FITTINGS, PLASTIC	68
REFRIGERANT FITTINGS	68

KRA.....69

KRA 400 SERIES TITANIUM CONDENSING UNITS - R404A	69
KRA CONTROL KITS.....	69
TX VALVE ASSEMBLIES R404A	69
TX VALVE ASSEMBLIES R134A	69
SOLENOID MANIFOLDS	69
SUCTION CHECK VALVES SPLITTERS R404A.....	70
LIQUID LINES - R404A	70
SUCTION LINES - R404A.....	70
LIQUID LINES - R134A	70
SUCTION LINES - R134A	70
OTHER KRA ACCESSORIES.....	70
REPLACEMENT PARTS	71
SPECIFICATIONS FOR KRA UNITS.....	71

ADLER BARBOUR.....	72
CONDENSING UNITS.....	72
EVAPORATORS.....	72
KITS.....	72
ACCESSORIES.....	72

ESKIMO ICE.....	73
ESKIMO ICE TITANIUM UNITS WITH DIGITAL CONTROLS.....	73
EI540 & EI1000 REPLACEMENT PARTS.....	73
ESKIMO ICE REPLACEMENT PARTS LIST AND PRICING.....	74

CONDARIA.....	75
REPLACEMENT CHILLERS.....	75
IDEA CLIMATE CONTROL SYSTEM.....	75
PERSONAL CLIMATE CONTROL SYSTEM (SERIES 7).....	75
TOP CLIMATE CONTROL SYSTEM (SERIES 3 AND SERIES 6).....	75
CLIMATE ORGANIZER CONTROL SYSTEM PARTS.....	75
AIR HANDLER VENTILATOR ASSEMBLIES (CAPACITORS NOT INCLUDED).....	75
SERIES 7- 10 SPEED VENTILATOR CAPACITORS (METAL CAPACITOR WITHOUT BOX).....	75
MBS 3-6 COMPATIBLE 3 SPEED CAPACITOR ASSEMBLY WITH BOX.....	76
MBS 3- 6 COMPATIBLE 10 SPEED CAPACITOR ASSEMBLIES.....	76
AIR HANDLER SENSORS.....	76
AIR HANDLER 3 WAY VALVE.....	76
CHILLER CONTROL BOARDS.....	76
CHILLER CONTROL DISPLAYS AND MISC. PARTS.....	76
PUMPS AND PUMP PARTS.....	76

REPLACEMENT PARTS TABLES.....	77
TURBO R410A - DTU.....	77
TURBO R417A - DTU.....	77
R410A & R417A ALL SIZES AND VOLTAGES.....	77
R410A & R417A ALL SIZES.....	77
TURBO GLOBAL R410A.....	78
ALL SIZES AND VOLTAGES.....	78
ALL SIZES.....	78
COMPACT GLOBAL R410A - DCU18 DUAL VOLTAGE.....	78
COMPACT R410A -DCU.....	79
COMPACT R410A CONTINUED.....	79
ECD GLOBAL R410A.....	79
ECD GLOBAL 410A CONTINUED.....	79
ECD/ECM 410A.....	80
ECD/ECM 410A CONTINUED.....	80
ECD/ECM 417A.....	80
EMERALD 6-16K.....	81
EMERALD 6-16K GLOBAL.....	81
EMERALD 24-48K.....	82
TURBOVAP.....	83
EBE /EBHE AND EBDE REPLACEMENT PARTS TABLE.....	83

DX SPARE PARTS LIST84

AU TABLES.....	92
AU/AU-EU AIR HANDLERS - ALL CAPACITIES AND VOLTAGES WHERE APPLICABLE.....	92

ATL TABLES.....	92
ATL HVZ.....	92
ATL DCZ.....	92

CW SPARE PARTS LIST.....	93
CWMC-OTS ELECTRIC BOXES (CHILLED WATER MASTER CONTROL "OFF THE SHELF").....	96

PRODUCT CANCELLATION POLICY96

**AUTHORIZED INTERNET RESELLER
AGREEMENT PROGRAM97**

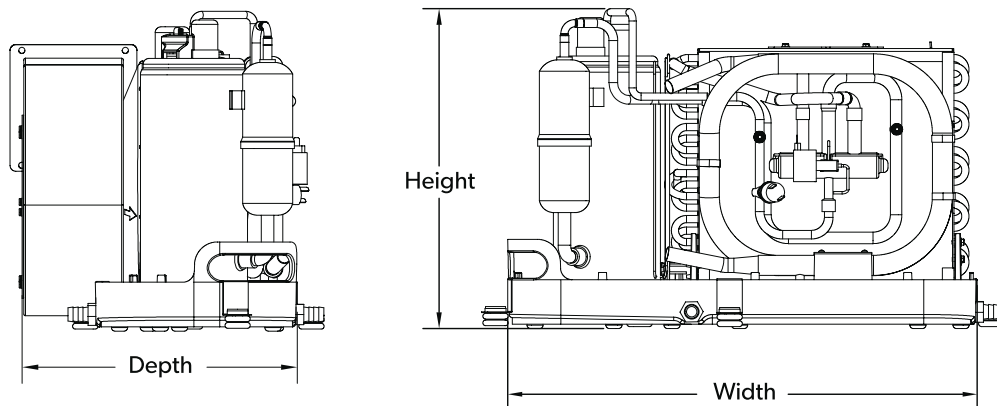
LEGACY ITEM #	NEW ITEM #	NEW DESCRIPTION	LIST PRICE (USD)
115V 50/60HZ Units			
205160066	9600024578	DTG6-1171-410A 4MR	\$3,075.00
205160089	9600024681	DTG8-1171-410A 5MR	\$3,275.00
205160109	9600025198	DTG10-1171-410A 6MR	\$3,530.00
205160128	9600024684	DTG12-1171-410A 6MR	\$3,610.00
205160174	9600025905	DTG16-1171-410A 7MR	\$3,795.00
115V 50/60HZ Turbo Units with Smart Start			
205160067	9600026030	DTG6-1171-410A SMRTSTRT 4MR	\$3,680.00
205160091	9600026349	DTG8-1171-410A SMRTSTRT 5MR	\$3,880.00
205160111	9600026343	DTG10-1171-410A SMRTSTRT 6MR	\$4,135.00
205160133	9600026345	DTG12-1171-410A SMRTSTRT 6MR	\$4,215.00
205160176	9600026159	DTG16-1171-410A SMRTSTRT 7MR	\$4,400.00
220-240V 50/60HZ Units			
205162069	9600024577	DTG6-2371-410A 4MR	\$3,200.00
205162090	9600024567	DTG8-2371-410A 5MR	\$3,400.00
205162109	9600024883	DTG10-2371-410A 6MR	\$3,580.00
205162129	9600024865	DTG12-2371-410A 6MR	\$3,695.00
205162176	9600024566	DTG16-2371-410A 7MR	\$4,070.00
220-240V 50/60HZ Turbo Units with Smart Start			
205162073	9610002651	DTG6-2371-410A SMRTSTRT 4MR	\$3,805.00
205162095	9610000166	DTG8-2371-410A SMRTSTRT 5MR	\$3,940.00
205162112	9610000160	DTG10-2371-410A SMRTSTRT 6MR	\$4,185.00
205162133	9600026346	DTG12-2371-410A SMRTSTRT 6MR	\$4,300.00
205162173	9600012494	DTG16-2371-410A SMRTSTRT 7MR	\$4,620.00
Aluminum RA Plenums for Turbo Units			
229801121	9108550773	Plenum ALM RA TURBO 6/8K No Ring	\$370.00
229801129	9108550778	Plenum ALM RA TURBO 6/8K 10"MR	\$385.00
229801093	9108550760	Plenum ALM RA TURBO 10/12K No Ring	\$370.00
229801094	9108550761	Plenum ALM RA TURBO 10/12K 12"MR	\$385.00
229801124	9108550775	Plenum ALM RA TURBO 14/16K No Ring	\$375.00
229801095	9108550762	Plenum ALM RA TURBO 14/16K 12"MR	\$390.00

SPECIFICATIONS FOR TURBO SERIES SELF-CONTAINED A/C

Model ¹	DTG6			DTG8			DTG10			DTG12			DTG16		
Capacity (BTU/h)	6000			8000			10000			12000			16000		
Voltage (VAC)	115	230	230	115	230	230	115	230	230	115	230	230	115	230	230
Cycle (Hz) /Phase (Ph)	60/1	60/1	50/1	60/1	60/1	50/1	60/1	60/1	50/1	60/1	60/1	50/1	60/1	60/1	50/1
Full Load Amps (FLA) Cool (A)	4.4	2.0	1.9	5.5	2.9	3.2	6.3	3.2	3.1	7.7	3.8	4.4	10.3	5.5	4.7
Full Load Amps (FLA) Heat (A)	5.8	2.6	2.4	6.9	3.7	3.8	8.1	4.1	3.9	10.2	5.0	5.2	13.4	7.0	6.0
Full Load Amps (FLA) Blower (A)	0.8	0.4	0.4	1.3	0.7	0.8	1.1	0.6	0.5	1.1	0.6	0.5	1.6	0.8	0.6
Locked Rotor Amps (LRA)	25.5	10.0	10.9	28	15.0	16.8	41.5	21.0	24.4	50.5	26.7	28.4	61.0	26.9	29.4
Max. Circuit Breaker (A)	18	9	8	21	12	12	29	15	15	35	19	18	44	23	21
Min. Circuit Ampacity (A)	10	5	4	12	7	7	17	9	8	20	11	10	25	13	12
Refrigerant Type	410A			410A			410A			410A			410A		
Max Height (in/cm)	11.4/29.0			11.6/29.5			12.2/31.0			12.2/31.0			13.3/33.8		
Max Width	17.8/45.2			17.8/45.2			20.4/51.8			20.4/51.8			21.5/54.6		
Max Depth	10.7/27.2			10.7/27.2			12.4/31.5			12.4/31.5			13.3/33.8		
Min. Duct Size Dia.(in/cm)	4/10.16			5/12.7			6/15.2			6/15.2			7/17.8		
Min. Supply Air Grille (sq in/cm)	32/206			48/310			60/387			70/452			80/516		
Min. Return Air Grille (sq in/cm)	64/413			80/516			100/645			130/839			160/1032		
Net Weight (lbs/kg)	38.0/17.2	38.0/17.2		41.0/18.6	43.0/19.5		53.0/24.0	52.0/23.6		53.0/24.0	53.0/24.0		57.0/25.9	58.0/26.3	
Gross Weight (lbs/kg)	44.0/20.0	44.0/20.0		48.0/21.8	50.0/22.7		62.0/28.1	61.0/27.7		62.0/28.1	62.0/28.1		66.0/29.9	67.0/30.4	

1) BTU and electrical data are based on a 45 degree F/7.2 degree C evaporator and 100 degree F/37.8 degree C condenser in cool mode, and a 45 F/7.2 C evaporator and 130 degree F/54.4 degree C condenser in heat.

2) Electric box is remote mounted up to 34" (86cm) away from compressor. E-box dimensions are 2.7" (6.9cm) x 6.5" (16.5cm) x 8.8" (22.4cm).



LEGACY ITEM #	NEW ITEM #	NEW DESCRIPTION	LIST PRICE (USD)
Dometic Compact Units (DCU)			
205600823	9108922700	DCU18-1161-410A SMRTSTRT RMTBX 7" MR	\$5,535.00
205600841	9600026337	DCU18-2371-410A SMRTSTRT 7MR	\$5,685.00
205600842	9600026336	DCU18-2371-410A NTWRK 7MR	\$5,490.00
205600865	9108923046	DCU27-2361-410A SMRTSTRT 8MR	\$7,175.00
205600869	9108912468	DCU27-2251-410A SMRTSTRT8MR	\$7,275.00
205600837	9600025358	DCU30-2361-410 HRZ/OP SMRT STR 6MR	\$7,960.00
205600895	9610001610	DCU30-2251-410 HRZ/OP SMRT STR 6MR	\$7,960.00
Dometic Low-Profile Units (DLU)			
205600601	9108893581	DLU16K 115V 60HZ 410A	\$5,135.00
205600606	9610002980	DLU16K 220V 50HZ 410A	\$5,335.00
205600602	9108893582	DLU16K 230V 60HZ 410A	\$5,135.00
Dometic Low-Profile Plenums & Transition Ring			
229000006	9108550036	Plenum ALM 5" OBX2 Up Flow	\$430.00
229000007	9108550037	Plenum ALM 5" OBX2 Down Flow	\$430.00
228700220	9610000029	Ring ABS Trans 5" OB Short Flange	\$100.00

SPECIFICATIONS FOR DCU AND DLU UNITS

Model	DCU18			DCU27		DCU30		
Capacity (BTU/h)	18000			27000		30000		
Voltage (V)	115	230		230	220	230	220	380
Cycle (Hz) / Phase (Ph)	60/1	60/1	50/1	60/1	50/1	60/1	50/1	50/3
Full Load Amps (FLA) Cool (A)	11.1	5.6	7.4	8	7.6	9.7	8.7	4.96
Full Load Amps (FLA) Heat (A)	15.1	7.2	8.2	11.2	11	12.8	12.4	5.96
Full Load Amps (FLA) Blower (A)	1.93	1.15	1.15	1.64		1.76	1.34	1.56
Locked Rotor Amps (LRA) (A)	66	31.5	35.5	58.3	60	53	67	38
Max. Circuit Breaker (A)	45	20	20	45	40	35	40	15
Min. Circuit Ampacity (A)	27	14	14	27	24	21	26	10
Refrigerant Type	R410A			R410A		R410A		
Width (in/mm)	21/534			24.75/629		25/635		
Depth (in/mm)	12/305			15.25/388		23/585		
Min. Supply Duct Size (in/mm)	7/178			8/204		6/153		
Quantity-Duct Connections	1			1		2		
Min. Supply Air Grille Size (sq in/sq cm)	100/646			140/904		150/968		
Min. Return Air Grille Size (sq in/sq cm)	200/1291			240/1549		250/1613		
Seawater Inlet Connection (in/mm)	0.625/16			0.625/16		two x 0.625/16		
Net Weight (lbs/kg)	68/30.8	68/30.8		120/54.5		98/44.5	107/48.5	100/45.4

All dimensions ± 0.30 in/8 mm.

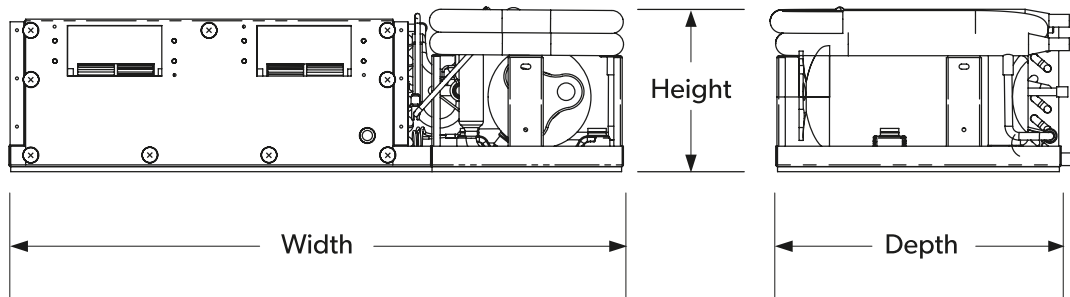
All weights ± 10%.

SPECIFICATIONS FOR DCU AND DLU UNITS

Model	DLU16			EDLE16	
Capacity (BTU/h)	16000			16000	
Voltage (VAC)	115	230	240	115	230
Cycle (Hz)/Phase (Ph)	Jan-60	60/1	50/1	60/1	50/1 or 60/1
Full Load Amps (FLA) Cool (A)	12.8	4.7	4.42	1.5	0.62
Full Load Amps (FLA) Heat (A)	15.5	6.2	5.82	N/A	N/A
Full Load Amps (FLA) Blower (A)	2	0.86	0.62	2	0.86
Locked Rotor Amp (LRA)	63	29	26	N/A	N/A
Max. Circuit Breaker (A)	40	20	15	5	5
Min. Circuit Ampacity (A)	24	14	11	2	1
Refrigerant Type	R410A			N/A	
Height (in/mm)	8/204			7.5/190	
Width (in/mm)	30.25/769			22.24/565	
Depth (in/mm)	14/356			11.16/284	
Min. Supply Duct Size (in/mm)	5/127			5/127	
Quantity-Duct Connections	2			2	
Min. Supply-Air Grille (sq. in/cm)	80/517			80/517	
Min. Return-Air Grille (sq. in/cm)	160/1033			160/1033	
Seawater Inlet Connection (in/mm)	0.625/16				
Net Weight (lbs/kg)	70/31.8	65/29.5	72.3/32.8	19/8.7	
Gross Weight (lbs/kg)	80/36.3	76/34.5	81.8/37.1	29/13.2	

All dimensions \pm 0.30 in/8 mm.

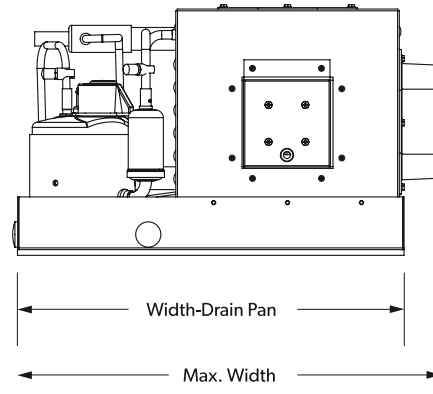
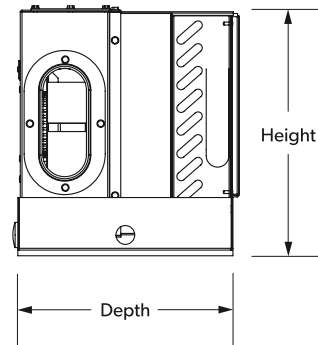
All weights \pm 10%.



LEGACY ITEM #	NEW ITEM #	NEW DESCRIPTION	LIST PRICE (USD)
EnviroComfort Self Contained Units, R410A			
Retrofit Kits (Unit and Control)			
207500001	9108846353	ECD3.5KC/1-HV 134A Kit, 115V 50/60Hz	\$2,855.00
Installation Kit (Pump, Grilles, Duct, and Hardware)			
218000106	9108732761	Install Kit 6K ECD6K/1-HV	\$1,465.00
218000110	9108732760	Install Kit 10K ECD10K/1-HV	\$1,550.00
218000116	9108732758	Install Kit 16K ECD16K/1-HV	\$1,640.00
218000117	9108844180	Install Kit 16KZ ECD16KZ/1-HV	\$1,675.00
Cuddy II			
207501012	9108846655	CDB3.5K-12VDC 134A 4"MR	\$6,785.00
218000120	9108850561	Installation Kit CDB3.5K includes pump and OLED Display	\$2,090.00
222104040	9108849817	OLED Gray 4-wire 12V T-STAT with harness CDB3.5	\$735.00
225500405	9610000176	Pump 12VDC 1.5GPM Diaphragm	\$410.00

SPECIFICATIONS FOR ECD AND CUDDY II

Model	ECD3.5	CUDDY II
Capacity (BTU/h)	3,500	3,500
Voltage (VAC)	115	12V DC
Cycle (Hz)/Phase (Ph)	60/1	-
Min. Voltage	-	10.5V DC
Full Load Amps (FLA) Cool	4.3	29.2
Full Load Amps (FLA) Blower	0.8	2.7
Locked Rotor Amp (LRA)	14.1	-
DC Power Requirements (Amps)	-	30
Max. Circuit Breaker (Amp)	10	50
Min. Circuit Ampacity (Amps)	7	42
Refrigerant Type	R134A	R134A
Height (in/mm)	9/229	10.86/276
Width (in/mm)	16.4/417	18.62/473
Depth (in/mm)	8/203	14/432
Min. Duct Diameter (in/mm)	4/102	4/102
Min. Supply-Air Grille (sq. in/cm)	-	30/76
Min. Return-Air Grille (sq. in/cm)	-	64/163
Water Connections (in/mm)	0.63/16	0.63/16
Net Weight (lbs/kg)	30.0/13.6	35.0/15.9
Gross Weight (lbs/kg)	37.0/16.8	45.0/20.4



DOMETIC EMERALD UNITS, R410A

LEGACY ITEM #	NEW ITEM #	NEW DESCRIPTION	LIST PRICE (USD)
Dometic Emerald Units, R410A			
115V 60HZ			
201150060	9108892998	DEG6-1171-410	\$3,305.00
201150080	9108893441	DEG8-1171-410	\$3,345.00
201150100	9108893446	DEG10-1171-410	\$3,555.00
201150120	9108893450	DEG12-1171-410	\$3,640.00
201150160	9108893454	DEG16-1171-410	\$3,785.00
220-240V 50/60HZ			
201152065	9610000790	DEG6-2371-410	\$3,345.00
201152087	9610000793	DEG8-2371-410	\$3,405.00
201152174	9610000802	DEG10-2371-410	\$3,615.00
201152129	9610000807	DEG12-2371-410	\$3,740.00
201152186	9610000945	DEG16-2371-410	\$3,835.00
Dometic Emerald Titanium Units, R410A			
220V 50HZ 1 PHASE			
201152202	9610004721	DEUX24S-410 2251	\$6,245.00
201152220	9610004752	DEUX30S-410 2251	\$6,850.00
201152274	9610005040	DEUX36S-410 2251	\$7,170.00
201152237	9610004769	DEUX48-410 2251	\$7,825.00
201152262	9610004813	DEUX60-410 2251	\$9,375.00
201152269	9610004820	DEUX72-410 2251	\$9,838.00
230V 60HZ 1 PHASE			
201152201	9610004715	DEUX24S-410 2361	\$6,050.00
201152217	9610004749	DEUX30S-410 2361	\$6,625.00
201152225	9610004757	DEUX36S-410 2361	\$7,100.00
201152233	9610004765	DEUX48-410 2361	\$7,775.00
201152263	9610004814	DEUX60-410 2361	\$9,390.00
230V 60HZ 3 PHASE			
201152203	9610004725	DEUX24-410 2363	\$6,410.00
201152223	9610004755	DEUX30-410 2363	\$6,860.00
201152229	9610004761	DEUX36-410 2363	\$7,590.00
201152276	9610005043	DEUX48-410 2363	\$8,925.00
201152265	9610004816	DEUX60-410 2363	\$9,405.00
201152271	9610004825	DEUX72-410 2363	\$10,410.00
380V 50HZ 3 PHASE			
201152208	9610004726	DEUX24-410 3853	\$6,410.00
201152224	9610004756	DEUX30-410 3853	\$6,860.00
201152230	9610004762	DEUX36-410 3853	\$7,590.00
201152277	9610005044	DEUX48-410 3853	\$8,616.00
201152266	9610004817	DEUX60-410 3853	\$9,740.00
201152272	9610004826	DEUX72-410 3853	\$10,840.00
460V 60HZ 3 PHASE			
201152231	9610004763	DEUX36-410 4663	\$7,755.00
201152279	9610005046	DEUX48-410 4663	\$8,336.00
201152268	9610004819	DEUX60-410 4663	\$9,505.00
201152273	9610004827	DEUX72-410 4663	\$10,572.00

SPECIFICATIONS FOR EMERALD UNITS

Model 1	DEG6			DEG8			DEG10			DEG12			DEG16		
Capacity (BTU/h) ²	6000			8000			10000			12000			16000		
Voltage (V)	115	230	230	115	230	230	115	230	230	115	230	230	115	230	230
Cycle (Hz) ³ / Phase (Ph)	60/1	60/1	50/1	60/1	60/1	50/1	60/1	60/1	50/1	60/1	60/1	50/1	60/1	60/1	50/1
Full Load Amps (FLA) Cool (A)	3.5	1.6	1.5	4.2	2.2	2.4	6.0	2.6	2.6	6.6	3.2	3.9	8.7	4.7	4.1
Full Load Amps (FLA) Heat (A)	5.0	2.2	2.0	5.6	3.0	3.0	7.9	3.5	3.3	9.1	4.5	4.7	11.8	6.2	5.4
Locked Rotor Amps (LRA) (A)	25.5	10.0	10.9	28.0	15.0	16.8	40	22	24	51	30	33	61	27	30
Max. Circuit Breaker (A)	18	9	8	21	12	12	27	15	15	35	17	16	44	23	21
Min. Circuit Breaker (A)	10	5	4	12	7	7	16	9	8	20	10	9	25	13	12
Refrigerant Type	R410A			R410A			R410A			R410A			R410A		
Seawater Inlet Connection (in/mm)	0.625/16			0.625/16			0.625/16			0.625/16			0.625/16		
Seawater Connection Type	cupronickel tube			cupronickel tube			cupronickel tube			cupronickel tube			cupronickel tube		
Refrigerant Line Connection- Discharge (in)	1/4			1/4			1/4			1/4			1/4		
Refrigerant Line Connection- Suction (in)	3/8			3/8			3/8			3/8			1/2		
Net Weight (lbs/kg) ⁴	43/20	43/20	42.05/19	43/20	43/20	42.05/19	45/20	44.25/20	45/20	47/21	47/21	47/21	49/22	50.5/23	50/23
Gross Weight (lbs/kg) ⁴	50/23	50/23	49.5/22	50/23	50/23	49.5/22	52/24	50.5/23	52/24	54/24	54/24	54/24	56/26	57/26	56/26

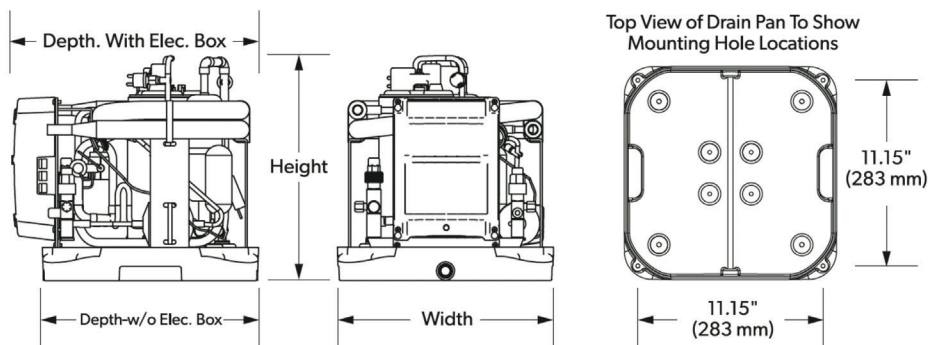
¹ For dual frequency units 6K through 16K, to complete the model numbers for a specific voltage/cycle/phase, add a '-410', then '1171' for 115V/50-60Hz/1-Phase, or '-2371' for 230V/50-60Hz/1-Phase (e.g. 'DEG12-410 2371'). For ranges 24K through 72K, add a '-410', '-2251' for 220-240V/50Hz/1-Phase, or '-2361' for 230V/60Hz/1-Phase (e.g. 'DEU24-410 2361').

² BTU and electrical data are based on a 45°F/7.2°C evaporator and 100°F/37.8°C condenser in cool mode, and a 45°F/7.2°C evaporator and 130°F/54.4°C condenser in heat mode.

³ For ranges 24K through 72K, 60Hz units must not operate at 50Hz and 50Hz units must not operate at 60Hz unless data plate says otherwise.

⁴ All weights ± 10%.

DEG6-16 DIMENSIONS



SPECIFICATIONS FOR EMERALD UNITS

Model 1	DEU24				DEU30		DEU36				
Capacity (BTU/h)²	24000				30000		36000				
Voltage (V)	230	240	230	380	230	240	230	240	230	460	380
Cycle (Hz)³ / Phase (Ph)	60/1	50/1	60/3	50/3	60/1	50/1	60/1	50/1	60/3	60/3	50/3
Full Load Amps (FLA) Cool (A)	6.3	6.4	4.5	2.7	7.3	7.9	9.1	9.4	6.3	3.3	4.44
Full Load Amps (FLA) Heat (A)	7.8	8	6.2	3.6	9.2	9.9	11.5	12	8.3	4.2	5.88
Locked Rotor Amps (LRA) (A)	43	46	55.4	28	54	67	74	67	71	38	45
Max. Circuit Breaker (A)	30	30	20	15	35	40	45	40	35	15	20
Min. Circuit Breaker (A)	17	18	14	10	22	23	26	25	20	10	13
Refrigerant Type	R410A				R410A		R410A				
Seawater Inlet Connection (in/mm)	0.625/16				0.625/16		0.625/16				
Seawater Connection Type	cupronickel tube				cupronickel tube		cupronickel tube				
Refrigerant Line Connection- Discharge (in)	3/8				3/8		3/8				
Refrigerant Line Connection- Suction (in)	5/8				3/4		3/4				
Net Weight (lbs/kg)⁴	98.5/45	104/47	100/45	100/45	102.25/46	114.5/52	118/54	102/46	116/53	116/53	
Gross Weight (lbs/kg)⁴	129/59	133/60	132/60	132/60	133.5/61	147/67	149.5/68	130/59	148/67	148/67	

¹ For dual frequency units 6K through 16K, to complete the model numbers for a specific voltage/cycle/phase, add a '-410', then '1171' for 115V/50-60Hz/1-Phase, or '-2371' for 230V/50-60Hz/1-Phase (e.g. 'DEG12-410 2371'). For ranges 24K through 72K, add a '-410', '-2251' for 220-240V/50Hz/1-Phase, or '-2361' for 230V/60Hz/1-Phase (e.g. 'DEU24-410 2361').

² BTU and electrical data are based on a 45°F/7.2°C evaporator and 100°F/37.8°C condenser in cool mode, and a 45°F/7.2°C evaporator and 130°F/54.4°C condenser in heat mode.

³ For ranges 24K through 72K, 60Hz units must not operate at 50Hz and 50Hz units must not operate at 60Hz unless data plate says otherwise.

⁴ All weights ± 10%.

SPECIFICATIONS FOR EMERALD UNITS

Model 1	DEU48					DEU60					DEU72		
Capacity (BTU/h)²	48000					60000					72000		
Voltage (V)	230	240	230	460	380	230	240	230	380	460	230	380	460
Cycle (Hz)³ / Phase (Ph)	60/1	50/1	60/3	60/3	50/3	60/1	50/1	60/3	50/3	60/3	60/3	50/3	60/3
Full Load Amps (FLA) Cool (A)	11.9	12.08	8.23	5.95	5.29	13.56	14.40	10.18	5.58	5.25	11.2	7.17	5.58
Full Load Amps (FLA) Heat (A)	15.8	17.95	10.89	7.42	6.6	20.15	21.40	12.7	7.6	6.6	14.82	8.94	7.56
Locked Rotor Amps (LRA) (A)	105	115	95	70	60	150	130	120	70	60	123	87	70
Max. Circuit Breaker (A)	75	70	49	30	—	80	80	55	30	30	60	42	30
Min. Circuit Breaker (A)	43	41	28	19	17	48	50	33	20	17	34	24	19
Refrigerant Type	R410A					R410A					R410A		
Seawater Inlet Connection (in/mm)	0.625/16					0.625/16					0.625/16		
Seawater Connection Type	cupronickel tube					cupronickel tube					cupronickel tube		
Refrigerant Line Connection- Discharge (in)	3/8					3/8					3/8		
Refrigerant Line Connection- Suction (in)	3/4					3/4					3/4		
Net Weight (lbs/kg)⁴	122/55	135/61	135/61	135/61	135/61	155/70					165/75		
Gross Weight (lbs/kg)⁴	153/69	150/68	150/68	150/68	150/68	170/77					181/82		

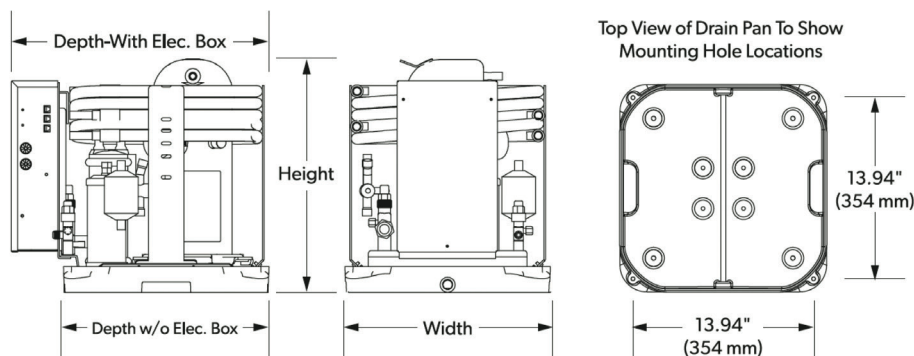
¹ For dual frequency units 6K through 16K, to complete the model numbers for a specific voltage/cycle/phase, add a '-410', then '1171' for 115V/50-60Hz/1-Phase, or '-2371' for 230V/50-60Hz/1-Phase (e.g. 'DEG12-410 2371'). For ranges 24K through 72K, add a '-410', '-2251' for 220-240V/50Hz/1-Phase, or '-2361' for 230V/60Hz/1-Phase (e.g. 'DEU24-410 2361').

² BTU and electrical data are based on a 45°F/7.2°C evaporator and 100°F/37.8°C condenser in cool mode, and a 45°F/7.2°C evaporator and 130°F/54.4°C condenser in heat mode.

³ For ranges 24K through 72K, 60Hz units must not operate at 50Hz and 50Hz units must not operate at 60Hz unless data plate says otherwise.

⁴ All weights ± 10%.

DEU24-72 DIMENSIONS



EVAP - TVE, EBE, EBLE, EDLE, EBDE

LEGACY ITEM #	NEW ITEM #	NEW DESCRIPTION	LIST PRICE (USD)
Emerald Series TurboVap Units, R410A with Mount Ring			
115v 60hz			
215612000	9108548591	TVE4, R410A 115V 4MR	\$1,485.00
215612100	9108548592	TVE6, R410A 115V 5MR	\$1,485.00
215612200	9108548594	TVE8, R410A 115V 5MR	\$1,500.00
215612300	9108548595	TVE10, R410A 115V 6MR	\$1,565.00
215612400	9108548596	TVE12, R410A 115V 6MR	\$1,600.00
215612500	9108548597	TVE16, R410A 115V 7MR	\$1,695.00
230v 60hz			
215613005	9108728476	TVE4, R410A 4"MR 230V	\$1,485.00
215613105	9108728477	TVE6, R410A 5"MR 230V	\$1,485.00
215613205	9108728478	TVE8, R410A 5"MR 230V	\$1,500.00
215613305	9108728480	TVE10, R410A 6"MR 230V	\$1,565.00
215613405	9108728481	TVE12, R410A 6"MR 230V	\$1,600.00
215613505	9108728482	TVE16, R410A 7"MR 230V	\$1,695.00
Note: TVE units also available with right hand configuration. Call for part number and pricing.			
EBE Series Evaporator Units, R410A			
215400519	9108893079	EBE18-230V, 50/60Hz 7"MR	\$3,505.00
215400533	9108893080	EBE24-230V, 50/60Hz 8"MR	\$3,885.00
215400530	9108690472	EBE30-230V, 50/60Hz 10"MR	\$4,355.00
215400536	9108690473	EBE36-230V, 50/60Hz 10"MR	\$4,640.00
*Note: EBE and EBLE also available in some models with electric heat. Call for availability and pricing.			
EBLE Low Profile Draw-Through Series Evaporator Units, R410A			
215400412	9108690353	EBLE12-230V, 2 HV Blowers, 5"MR	\$3,565.00
215400415	9108690482	EBLE16-115V, 2 HV Blowers, 5"MR	\$3,745.00
215400416	9108690429	EBLE16-230V, 2 HV Blowers, 5"MR	\$3,745.00
215400424	9108690163	EBLE24-230V, 2 HV Blowers, 6"MR	\$4,320.00
215400430	9108690370	EBLE30-230V, 2 HV Blowers, 6"MR	\$4,615.00
215400436	9108690474	EBLE36-230V, 2 HV Blowers, 8"MR	\$4,865.00
EBLE Units with Plenum Installed			
215400417	9108698791	EBLEP16-230V, with Plenum, 1/2"Ins, 5"MR	\$4,465.00
215400427	9108749860	EBLEP24-230V, with Plenum, 1/2" Ins 6"MR	\$5,375.00
215400431	9108750608	EBLEP30-230V, with Plenum, 1/2" Ins, 6"MR	\$5,460.00
215400441	9600017124	EBLEP36-230V, with Plenum, 1/2", 7"MR	\$5,705.00
EDLE The Breeze Low Profile Evaporator Units, R410A			
215400316	9108690480	EDLE16-230V, Low Profile Evap	\$3,250.00
EBDE Direct-Drive Cooling Units, R410A			
215400648	9108690468	EBDE48V-230V, Vertical Discharge	\$5,860.00
215400660	9108690470	EBDE60V-230V, Vertical Discharge	\$6,410.00
215400673	9108791429	EBDE72V-220V, Vertical Discharge	\$6,535.00
*Note: Some sizes available in horizontal discharge. Call for pricing.			
EDL The Breeze Low Profile Evaporator Units, R417A			
215311770	9108548534	EDL16, Low Profile Evap 115V	\$3,450.00
215311870	9108548547	EDL16C, Low Profile Evap 230V	\$3,450.00

LEGACY ITEM #	NEW ITEM #	NEW DESCRIPTION	LIST PRICE (USD)
Accessories for TurboVap Units			
221300318	9108549606	2' 1/4 x 3/8 ins fl2 (TurboVap 4-12K)	\$335.00
221300319	9108549607	3' 3/8 x 1/2 ins fl2 (TurboVap 16K)	\$340.00
229801627	9108891466	Plenum ALM RA TV4K 8" Ring	\$210.00
229801520	9108804580	Plenum ALM RA TV6/8K 10" Ring	\$275.00
229000038	9108798525	Plenum ALM RA TV10/12K 12" Ring	\$330.00
229000034	9108684115	Plenum ALM RA TV16K 12" Ring	\$330.00

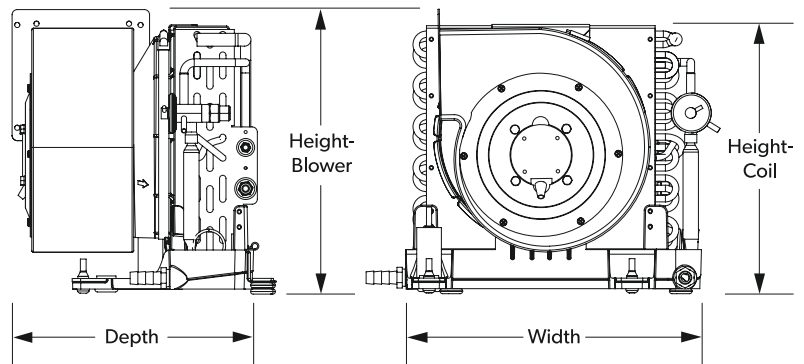
SPECIFICATIONS FOR TVE UNITS

Model ¹	TVE4		TVE6		TVE8		TVE10		TVE12		TVE16	
Capacity (BTU/h)	4000		6000		8000		10000		12000		16000	
Voltage @ 50/60Hz 1-Ph (V)	115	230	115	230	115	230	115	230	115	230	115	230
Full Load Amps (FLA) Cool (A)	0.82	0.41	0.82	0.41	1.56	0.83	1.14	0.61	1.14	0.61	1.61	0.78
Max. Circuit Breaker (A)	5		5		5		5		5		5	
Min. Circuit Ampacity (A)	2	1	2	1	2	2	1	2	1	3	1	
Height-Coil (in/mm) ²	10.8/275		10.8/275		10.8/275		12.6/321		12.6/321		13/331	
Height-Blower (in/mm) ²	10.8/275		10.8/275		11.4/290		12.6/321		12.6/321		13.6/346	
Width (in/mm) ²	12.3/313		12.3/313		12.3/313		14.3/364		14.3/364		14.3/364	
Depth (in/mm) ²	9.5/242		9.5/242		9.4/239		10.4/265		10.4/265		11.6/295	
Min. Supply Duct Size (in/mm)	4/102		4/102		5/127		6/153		6/153		7/178	
Min. Supply Air Grille Size (sq in/sq cm)	32/207		32/207		48/310		60/388		70/452		81/523	
Min. Return Air Grille Size (sq in/sq cm)	64/413		64/413		80/517		110/710		130/839		160/1033	
Net Weight (lbs/kg) ³	10.5/4.8	11.25/5.2	12/5.5	12.25/5.6	14/6.4	17.5/8	17.5/8	17.75/8.1	20.5/9.3	21/9.6		
Gross Weight (lbs/kg) ³	18.5/8.4	18/8.2	19/8.7	20.25/9.2	22/10	25.5/11.6	25/11.4	25.5/11.6	24.75/11.3	28/12.8	28.5/13	

¹ Add '115V' or '230V' to the model number for 115V and 230V units, respectively

² All dimensions ± 0.30 in/8 mm

³ All weights ± 10%



SPECIFICATIONS FOR EBE UNITS

Model ¹	EBE18	EBE24	EBE30	EBE36	EBHE8	EBHE10	EBHE12	EBHE16	EBHE24
Capacity (BTU/h)	18000	24000	30000	36000	8000	10000	12000	16000	24000
Voltage @ 50/60Hz 1-Ph (V)	230	230	230	230	230	230	230	230	230
Full Load Amps (FLA) Cool (A)	1.15	1.64	1.64	7.3	0.98	0.66	0.56	0.88	1.64
Full Load Amps (FLA) Heat (A)	N/A	N/A	N/A	N/A	5.4	7.2	9.26	9.58	14.68
Full Load Amps (FLA) Blower (A)	1.15	1.64	4	4	0.98	0.66	0.56	1.15	1.64
Max. Circuit Breaker (A)	5	5	5	10	10	10	10	10	20
Min. Circuit Ampacity (A)	2	3	3	10	6	8	10	10	16
Electric Heat (kW/hp)	N/A	N/A	N/A	N/A	1/1.4	1.5/2.1	2/2.7	2/2.7	3/4.1
Heater Amps (A)	N/A	N/A	N/A	N/A	4.35	6.52	8.7	8.7	13.04
Air Flow (cfm/m3h)	540/918	800/1360	1000/1700	1200/2039	266/452	333/566	400/680	533/906	800/1360
Height-Coil (in/mm) ²	13.63/347	16.5/420	20.5/521	20.5/521	11.25/286	12.5/318	12.5/318	13.5/343	16.5/420
Height-Blower (in/mm) ²	15.13/385	17/432	22/559	22.25/566	12.5/318	13.5/343	13.5/343	15.5/394	17/432
Width (in/mm) ²	16/407	20/508	20.75/528	20.75/528	13.75/350	14.25/362	14.25/362	16/407	20/508
Depth (in/mm) ²	14/356	14.5/369	15/381	17.75/451	12/305	13.75/350	14.5/369	14.75/375	15/381
Min. Supply Duct Size (in/mm)	7/178	9/229	10/254	10/254	6/152	6/152	6/152	7/178	9/229
Min. Supply Air Grille Size (sq in/sq cm)	100/645	140/903	170/1097	196/1265	49/316	60/387	70/452	80/516	140/903
Min. Return Air Grille Size (sq in/sq cm)	200/1290	240/1548	350/2258	360/2323	98/632	100/645	130/839	160/1032	240/1548
Net Weight (lbs/kg) ³	27/12.3	37.65/17.1	36/16.4	41.75/19	21/9.6	23/10.5	23/10.5	28/12.8	44.75/20.3
Gross Weight (lbs/kg) ³	35/15.9	49.5/22.5	42/19.1	56.5/25.7	29/13.2	31/14.1	31.5/14.3	36/16.4	56.25/25.6

¹ 'EBE' indicates evaporator without electric heat; 'EBHE' indicates evaporator with electric heat. Dometic also offers an EBHE6-1KW and EBHE16-3KW

² All dimensions ± 0.30 in/8 mm

³ All weights ± 10%

SPECIFICATIONS FOR EBLE UNITS

MODEL ¹	EBLE12		EHBLE16		EBLE16		EHBLE24	EBLE24	EBLE30	EBLE36
Capacity (BTU/h)	12000		16000		16000		24000	24000	30000	36000
Voltage @ 50/60Hz 1-Ph (V)	115	230	115	230	115	230	230	230	230	230
Full Load Amps (FLA) Blower (A)	1.64	0.74	3.2	1.44	2.4	1.2	1.76	2.8	3.6	3.6
Max. Circuit Breaker (A)	5		25	15	5		20	5	5	5
Min. Circuit Ampacity (A)	3	2	22	11	4	2	16	3	3	3
Electric Heat (kW/hp)	N/A		2/2.7		N/A		2/2.7	N/A	N/A	N/A
Heater Amps (A)	N/A		17.4	8.7	N/A		8.7	N/A	N/A	N/A
Height (in/mm) ²	11.25/286		11.25/286		11.25/286		12.5/318	12.5/318	13/331	13/331
Width (in/mm)	24/610		20.5/521		24/610		27.5/699	27.5/699	37.5/953	37.5/953
Depth (in/mm)	13.5/343		16/407		3.5/343		17/432	14/356	14/356	14/356
Min. Supply Duct Size (in/mm)	6/153		7/178		7/178		8/204	8/204	9/229	10/254
Quantity-Duct Connections	2		2		2		2	2	2	2
Min. Supply Air Grille Size (sq in/sq cm)	70/452		80/517		80/517		140/904	140/904	170/1097	196/1265
Min. Return Air Grille Size (sq in/sq cm)	130/839		160/1033		160/1033		240/1549	240/1549	350/2259	360/2323
Refrigerant Line Connection-Discharge (in/mm)	0.25/6.4		0.375/9.5		0.375/9.5		0.375/9.5	0.375/9.5	0.375/9.5	0.375/9.5
Refrigerant Line Connection-Suction (in/mm)	0.375/9.5		0.5/12.7		0.5/12.7		0.625/16	0.625/16	0.75/19	0.75/19

¹ EHBLE units are available with return-air plenum

² Height values shown are from the mounting surface to the top of the coil with blowers in the horizontal position

AIR COOLED UNITS

LEGACY ITEM #	NEW ITEM #	NEW DESCRIPTION	LIST PRICE (USD)
Radome Units Air-Cooled A/C			
(For cooling of radar/communication domes) Call for more information.			
Radome Units Internally Mounted			
202000421	9600025618	HSA16UKCZ/3-417A SS W/CORD	\$9,715.00
Radome Units Externally Mounted with Remote Displays			
202000438	9610000773	HSA16UKCZ/3-417A SS 230V 5" Duct 20' Display Cable	\$9,800.00
Radome Duct Kit			
226600029	9610001395	KIT RADOME CND EXT GEN 2/3	\$1,185.00
Radome Heater Kit			
298001386	298001386	RETRO HEAT ASY HSA16Z/1 1KW	\$600.00
238100037	9108694368	DD6-4 Discharge Distrib. 3/8"IN X (3) 1/4"OUT	\$430.00

SPECIFICATIONS FOR RADOME UNITS

Model	Radome
Capacity (BTU/hr)	16,000
Voltage/Hz/Ph	230/60/1
Locked Rotor Amps (Comp)	32
Amperage (A)	7.5
Max. Circuit Breaker (A)	20
Min. Circuit Ampacity (A)	14
Refrigerant	417A
Net Weight (lbs/kg)	98/45

DURASEA CONDENSING UNIT MODEL NUMBER NOMENCLATURE

D C A 0 3 6 A 4 6 6 3 C 0 A A

DuraSea Condensing Unit

Refrigerant Type

A = R410A

B = R417A

Nominal Tonnage

030 = 2.5 Tons

036 = 3 Tons

048 = 4 Tons

060 = 5 Tons

072 = 6 Tons

090 = 7.5 Tons

120 = 10 Tons

Control Type

A = None -use with 24VAC Thermostat

Q = Unity Control

Voltage

2361 = 230V/60/1

2251 = 220V/50/1

2363 = 208-230V/60/3

4663 = 460V/60/3

4053 = 400V/50/3

3853 = 380V/50/3

Options

A = None

B = Nema 4x electric Box & heat shrunk electric connections

C = Low ambient Fan Cycling Control

D = Phase Monitor

E = Valve Fan Side (VFS) - standard on 7.5/10 ton models

F = Variable Frequency Drive

G = Crankcase Heater

H = Suction Accumulator

I = Reserved for future use

J = Reserved for future use

K = Combination of options B, C, D, G, and H

L = Combination of options B and D

M = Combination of options B, C, and D

N = Combination of options B, C, D and H

P = Combination of options B and G

R = Combination of options B, C, and F

S = Combination of options B, C, D, E, G, and H

T = Combination of options B, C, F, G and H

U = Combination of options B, D, F and H

V = Combinations if options C and D

Design Revision

A = Initial Rev

Not Used

0 = Not Used

Coil Options

A = Al Fin/Copper Tube

B = E-Coat Al Fin/Copper Tube

C = Copper Fin/Tube

DURASEA CONDENSERS

BASE SIZE	DESCRIPTION	LIST PRICE (USD)
-----------	-------------	------------------

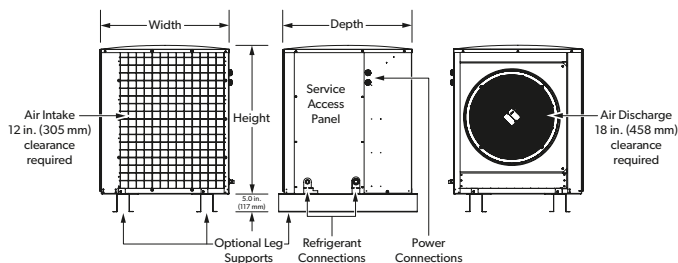
Durasea Condensing Units Base Models

410A - ElectroFin® E-Coat Aluminum Finned/Copper tube Condenser (Coil Option B)		
DCA036A	DuraSea 36,000 BTU, R410A	\$11,350.00
DCA048A	DuraSea 48,000 BTU, R410A	\$11,665.00
DCA060A	DuraSea 60,000 BTU, R410A	\$13,750.00
DCA072A	DuraSea 72,000 BTU, R410A	\$14,630.00
DCA090A	DuraSea 90,000 BTU, R410A	\$17,195.00
DCA120A	DuraSea 120,000 BTU, R410A	\$18,450.00
410A - Copper Finned/Copper Tube Condenser (Coil Option C)		
DCA036A	DuraSea 36,000 BTU, R410A	\$12,350.00
DCA048A	DuraSea 48,000 BTU, R410A	\$12,665.00
DCA060A	DuraSea 60,000 BTU, R410A	\$14,750.00
DCA072A	DuraSea 72,000 BTU, R410A	\$15,630.00
DCA090A	DuraSea 90,000 BTU, R410A	\$18,195.00
DCA120A	DuraSea 120,000 BTU, R410A	\$19,450.00

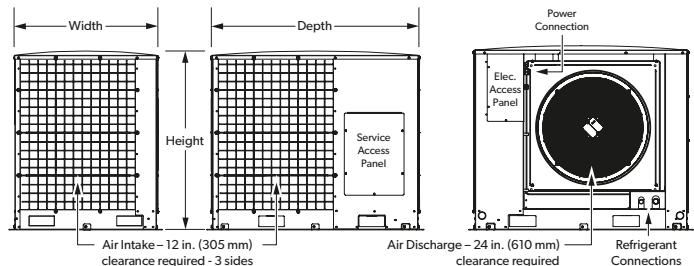
SPECIFICATIONS FOR DURASEA CONDENSING UNITS

MODEL	DCA36D	DCA36E	DCA48D	DCA48E	DCA60D	DCA60E	DCA72D	DCA72E	DCA90D	DCA90E	DCA120D	DCA120E
Nominal Capacity (BTU/h)	36000	36000	48000	48000	60000	60000	72000	72000	90000	90000	120000	120000
Voltage (V)	230	460	230	460	230	460	230	460	230	460	230	460
Cycle (Hz)/Phase (Ph)	60/3	60/3	60/3	50/3	60/3	60/3	60/3	60/3	60/3	60/3	60/3	60/3
Run Load Amps (RLA) (A)	10.9	5	12.7	6.6	14.8	7.4	17.9	8.9	25.5	13.4	31.3	15.3
Locked Rotor Amps (LRA) (A)	95	45	120	60	123	70	160	87	235	110	267	142
Full Load Amps (FLA) Blower (A)	3.6	2	3.6	2	3.6	2	3.6	2	3.6	2	8.5	4.9
Max. Circuit Breaker (A) ⁽¹⁾	35	20	60	20	60	35	55	40	70	30	75	30
Min. Circuit Ampacity (A) ⁽²⁾	25	15	36	15	37	21	40	26	50	25	55	26
Min. Volts (V)/Max. Volts (V)	197/253	414/506	197/253	414/506	197/253	414/506	197/253	414/506	197/253	414/506	197/253	414/506
Refrigerant Type	R410A	R410A	R410A	R410A	R410A	R410A	R410A	R410A	R410A	R410A	R410A	R410A
Air Flow (cfm)	6000	6000	6000	6000	6000	6000	6000	6000	6000	6000	10000	10000
Height (in/mm)	38.5/978	38.5/978	38.5/978	38.5/978	38.5/978	38.5/978	38.5/978	38.5/978	42/1067	42/1067	42/1067	42/1067
Width (in/mm)	33/839	33/839	33/839	33/839	33/839	33/839	33/839	33/839	33/839	33/839	33/839	33/839
Depth (in/mm)	33/839	33/839	33/839	33/839	33/839	33/839	33/839	33/839	48/1220	48/1220	48/1220	48/1220
Refrigerant Line Connection-Discharge (in/mm) ⁽³⁾	1/2/13	1/2/13	1/2/13	1/2/13	1/2/13	1/2/13	1/2/13	1/2/13	7/8/23	7/8/23	7/8/23	7/8/23
Refrigerant Line Connection-Suction (in/mm) ⁽³⁾	7/8/23	7/8/23	7/8/23	7/8/23	7/8/23	7/8/23	7/8/23	7/8/23	11/8/29	11/8/29	11/8/29	11/8/29
Sound Level (dB) ⁽⁴⁾	84	84	84	84	84	84	84	84	84	84	87	87
Net Weight (lbs) ⁽⁵⁾	290	290	310	310	365	365	375	375	475	475	525	525

DURASEA 3- TO 6-TON DIMENSIONS



DURASEA 7.5- TO 10-TON DIMENSIONS



OPTIONS & ADD-ONS	DESCRIPTION	36K-48K	60K-72K	90K-120K
-------------------	-------------	---------	---------	----------

The below options are available as add-ons to the base unit list.
See previous page for description of options.

Unity Control		\$440.00	\$440.00	\$440.00
380/50HZ units		\$230.00	\$320.00	\$380.00
Option B	B = Nema 4x electric Box & heat shrunk electric connections	\$800.00	\$800.00	\$800.00
Option C	C = Low ambient Fan Cycling Control	\$355.00	\$355.00	\$355.00
Option D	D = Phase Monitor	\$235.00	\$235.00	\$235.00
Option E	E = Valve Fan Side (VFS) - standard on 7.5/10 ton models	\$565.00	\$565.00	N/A
Option F	F = Variable Frequency Drive	Call for Price	Call for Price	Call for Price
Option G	G = Crankcase Heater	\$320.00	\$320.00	\$320.00
Option H	H = Suction Accumulator	\$890.00	\$890.00	\$1,185.00
Combinations				
Option K	K = Combination of options B, C, D, G, and H	\$2,365.00	\$2,365.00	\$2,660.00
Option L	L = Combination of options B and D	\$1,155.00	\$1,155.00	\$1,155.00
Option M	M = Combination of options B, C, and D	\$1,390.00	\$1,390.00	\$1,390.00
Option N	N = Combination of options B, C, D and H	\$2,280.00	\$2,280.00	\$2,575.00
Option P	P = Combination of options B and G	\$1,120.00	\$1,120.00	\$1,120.00
Option R	R = Combination of options B, C, and F	Call for Price	Call for Price	Call for Price
Option S	S = Combination of options B, C, D, E, G, and H	\$3,165.00	\$3,165.00	N/A
Option T	T = Combination of options B, C, F, G and H	Call for Price	Call for Price	Call for Price
Option U	U = Combination of options B, D, F and H	Call for Price	Call for Price	Call for Price
Option V	V = Combinations of options C and D	\$590.00	\$590.00	\$590.00

LEGACY ITEM #	NEW ITEM #	NEW DESCRIPTION	LIST PRICE (USD)
---------------	------------	-----------------	------------------

Accessories

298001146	298001146	Elevation Mount DCA24-72	\$300.00
-----------	-----------	---------------------------------	----------

VARC & PLC CHILLERS

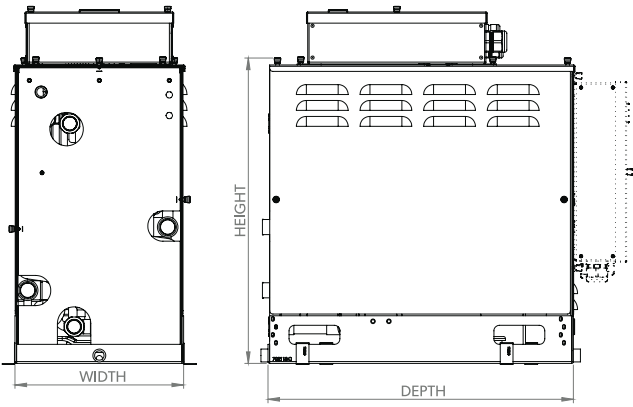
LEGACY ITEM #	NEW ITEM #	NEW DESCRIPTION	LIST PRICE (USD)
Variable Capacity Chiller			
260170001	9108891833	VARCX48 2371	\$17,425.00
260170007	9600017092	VARCX60 2371	\$20,275.00
260170006	9600017093	VARCX72 2371	\$20,575.00
260170014	9610002667	VARCX72 2373	\$21,075.00
260175037	9600026320	VARCX120 2371	\$33,650.00
260175036	9600026333	VARCX120 2373	\$33,650.00
260175035	9600026335	VARCX120 4073	\$33,850.00

SPECIFICATIONS FOR VARCX CHILLERS

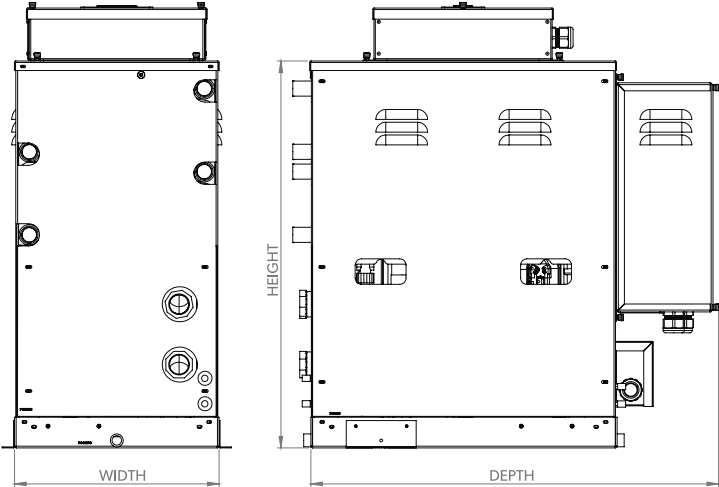
Model	VARCX48	VARCX60	VARCX72	VARCX120		
Capacity (BTU)	12,000-48,000	15,000-60,000	18,000-72,000	30,000 - 120,000		
Voltage (V)	208-230	208-230	208-230	230	230	380-460
Cycle (Hz)	50/60	50/60	50/60	50/60	50/60	50/60
Phase (Ph)	1	1	1	1	3	3
Full Load Amps (FLA) Cool	15.9	21.0**	28.0**	50**	40**	22.3/18.4
Full Load Amps (FLA) Heat	17.0	21.0	28.0**	50**	40**	27.5/22.7
Refrigerant	410A	410A	410A	410A	410A	410A
Seawater Connection OD Tube FPT (in/mm)	1.0 / 25	1.25 / 32	1.25 / 32	*(2x)1.25 / 32	*(2x)1.25 / 32	*(2x)1.25 / 32
Chilled Water Connection FPT (in/mm)	1.0 / 25	1.0 / 25	1.0 / 25	1.5 / 38	1.5 / 38	1.5 / 38
Drain Connection (in/mm)	0.5 / 13	0.5 / 13	0.5 / 13	0.5 / 13	0.5 / 13	0.5 / 13
Net Weight (lbs/kg)	108 / 49	172 / 78	190 / 86	315 / 143	315 / 143	315 / 143
Gross Weight (lbs/kg)	194 / 88	236 / 107	260 / 118	435 / 197	435 / 197	435 / 197
Height (in/mm)	19.7 / 501	24.0 / 610	24.0 / 610	30.4 / 772	30.4 / 772	30.4 / 772
Width (in/mm)	13.0 / 330	13.3 / 338	13.3 / 338	16.1in / 409	16.1in / 409	16.1in / 409
Depth (in/mm)	19.7 / 500	24.0 / 610	24.0 / 610	32.0 / 813	32.0 / 813	32.0 / 813
Height-Electrical Box (in/mm)	N/A	14.2 / 361	14.2 / 361	14.2 / 361	14.2 / 361	14.2 / 361
Width-Electrical Box (in/mm)	N/A	11.7 / 298	11.7 / 298	14.2 / 361	14.2 / 361	14.2 / 361
Depth-Electrical Box (in/mm)	N/A	4.1 / 105	4.1 / 105	4.1 / 106	4.1 / 106	4.1 / 106

* VARCX120 Seawater Connection has two inlets and two outlets at 1.25in/32mm.

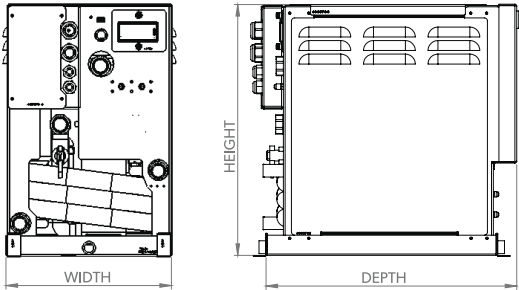
** Maximum VFD input current shown. Actual operating amperages are normally lower



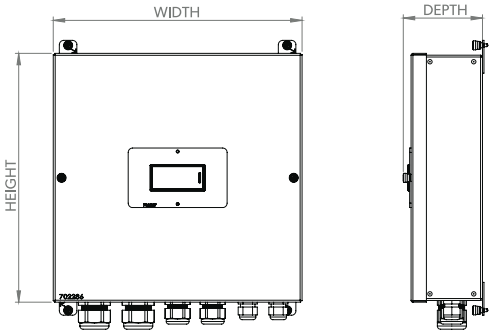
VARC60/72



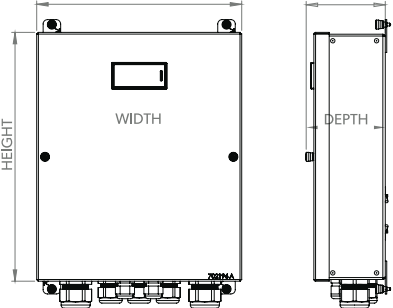
VARC120



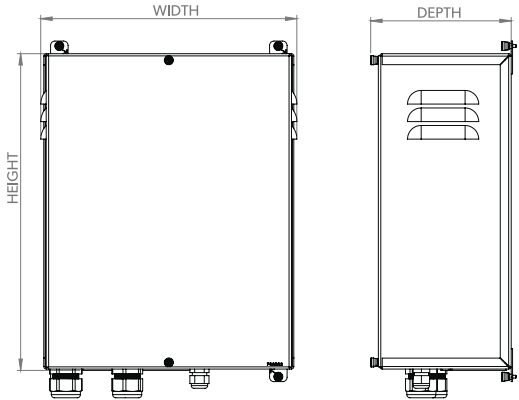
VARC48



VARC120 ELECTRICAL BOX



VARC60/72 ELECTRICAL BOX



VARC120 VFD ENCLOSURE

MCGX & TWCX PLC CHILLERS

CHILLER K BTU	LIST PRICE (USD)	CHILLER K BTU	LIST PRICE (USD)	CHILLER K BTU	LIST PRICE (USD)
---------------	------------------	---------------	------------------	---------------	------------------

MCGX Base Units with PLC

2361/2251 with Smart Start		2363/2253/4663		3853	
36	\$14,770.00	36	\$14,420.00	36	\$14,520.00
48	\$15,555.00	48	\$15,205.00	48	\$15,305.00
60	\$16,835.00	60	\$16,485.00	60	\$16,585.00
72	\$17,600.00	72	\$17,250.00	72	\$17,350.00

MCGX Base Units with PLC 90k-180K

2361/2251 with Smart Start		2363/2253/4663		3853	
90	N/A	90	\$22,910.00	90	\$23,010.00
120	N/A	120	\$26,410.00	120	\$26,510.00
150	N/A	150	\$36,640.00	150	\$36,740.00
180	N/A	180	\$37,910.00	180	\$38,010.00

MCGXLP Base Units with PLC

2361/2251 with Smart Start		2363/2253/4663		3853	
36	\$15,385.00	36	\$15,035.00	36	\$15,135.00
48	\$16,000.00	48	\$15,650.00	48	\$15,750.00
60	\$17,850.00	60	\$17,500.00	60	\$17,600.00
72	\$18,560.00	72	\$18,210.00	72	\$18,310.00

TWCX Base Units with PLC

2361/2251 with Smart Start		2363/2253/4663		3853	
24	\$10,950.00	24	\$10,600.00	24	\$10,700.00
30	\$11,230.00	30	\$10,880.00	30	\$10,980.00
36	\$11,325.00	36	\$10,975.00	36	\$11,075.00
48	\$13,500.00	48	\$13,150.00	48	\$13,250.00
60	\$14,560.00	60	\$14,210.00	60	\$14,310.00
72	\$15,620.00	72	\$15,270.00	72	\$15,370.00

SPECIFICATIONS FOR MCGX CHILLERS - 24K TO 60K

Model ¹	MCGX24					MCGX36					MCGX48					MCGX60					
Capacity (BTU/h)	24000					36000					48000					60000					
Voltage (V)	230	220	230	380	460	230	240	230	380	460	240	230	230	380	460	230	240	230	380	460	
Cycle (Hz)/Phase (Ph)	60/1	50/1	60/3	50/3	60/3	60/1	50/1	60/3	50/3	60/3	50/1	60/1	60/3	50/3	60/3	60/1	50/1	60/3	50/3	60/3	
Full Load Amps (FLA) Cool (A)	6.4	9.6	5.5	3.5	2.7	12	12.3	8.3	5.1	3.9	14.7	13.8	11.3	5.8	5.2	17.8	22.2	11.3	8.3	5.9	
Full Load Amps (FLA) Heat (A)	9.5	11.9	7.3	4.6	3.6	15.7	18	10.9	6.6	5	21.4	20.2	14	7.6	6.6	23	29.1	14.8	10.8	7.4	
Locked Rotor Amps (LRA) (A)	58.3	97	58	45	28	105	115	95	50	45	130	150	120	70	60	145	130	123	87	70	
Max. Circuit Breaker (A)	45	45	29	20	18	70	75	50	27	23	90	80	50	33	30	100	100	60	40	33	
Min. Circuit Ampacity (A)	25	28	17	13	10	43	41	27	15	12	50	48	33	19	17	57	57	34	24	19	
Refrigerant Type	R410A					R410A					R410A					R410A					
Height-Without Elec. Box (in/mm)	17.22/438					23.57/599					23.57/599					23.44/596					
Height-With Elec. Box (in/mm)	21.74/553					23.57/599					23.57/599					26.08/663					
Width-Drain Pan (in/mm)	12/305					12/305					12/305					12/305					
Max. Width (in/mm)²²	12/305					12.5/318					12.5/318					13.25/337					
Depth-Drain Pan (in/mm)²²	24/610					24/610					24/610					24/610					
Max. Depth (in/mm)²	24.97/635					30.78/782					30.78/782					30.7/780	30.07/764				
Seawater Inlet Connection (in/mm)	0.625/16					1/26					1/26					1/26					
Chilled Water Connection Size (in/mm)	1/26					1/26					1/26					1/26					
Height-Electrical Box (in/mm)	11/280					11/280					11/280					11/280					
Width-Electrical Box (in/mm)	9.8/249					9.8/249					9.8/249					9.8/249					
Depth-Electrical Box (in/mm)	3.7/94					3.7/94					3.7/94					3.7/94					

¹ For information about net weight and shipping weight please contact a Dometic Marine sales representative at 954-973-2477

² All dimensions ± 0.30 in/8 mm

³ The electrical box (DDC) for single chiller modules can be mounted remotely

SPECIFICATIONS FOR MCGX CHILLERS

- 72K TO 180K

Model ¹	MCGX72				MCGX90			MCGX120		MCGX150			MCGX180		
Capacity (BTU/h)	72000				90000			120000		150000			180000		
Voltage (V)	230	230	380	460	230	380	460	230	380	230	380	460	230	380	460
Cycle (Hz)/Phase (Ph)	60/1	60/3	50/3	60/3	60/3	50/3	60/3	60/3	50/3	60/3	50/3	60/3	60/3	50/3	60/3
Full Load Amps (FLA) Cool (A)	20.1	14.2	10.1	7.1	22.3	14.7	9.2	25.3	15.4	30.6	19.9	15.1	38.3	24.1	20.2
Full Load Amps (FLA) Heat (A)	29.3	17.9	13.3	8.9	31.5	14.9	13.4	31.3	19.2	38.9	24.5	19.3	50	29.9	25
Locked Rotor Amps (LRA) (A)	145	160	100	87	235	110	110	267	147	304	197	147	351	239	197
Max. Circuit Breaker (A)	90	80	42	42	100	56	42	103	60	144	86	67	168	55	86
Min. Circuit Ampacity (A)	49	45	24	24	57	32	24	58	38	80	49	38	94	55	49
Refrigerant Type	R410A				R410A			R410A		R410A			R410A		
Height-Without Elec. Box (in/mm)	23.44/596				27.66/703			33.61/854		46.24/1175			49.5/1258		
Height-With Elec. Box (in/mm)	26.08/663				31.07/790			37.71/958		N/A			N/A		
Width-Drain Pan (in/mm)	12/305				16/407			16/407		18.63/474			18.63/474		
Max. Width (in/mm) ^{2,2}	13.25/337				17.37/442			17.4/442		19.5/496			19.5/496		
Depth-Drain Pan (in/mm) ^{2,2}	24/610				24/610			24/610		26.75/680			26.75/680		
Max. Depth (in/mm) ²	30.04/764				30.84/784			30.84/784		31.88/810			31.88/810		
Seawater Inlet Connection (in/mm)	1/26				1.5/38			1.5/38		2/51			2/51		
Chilled Water Connection Size (in/mm)	1/26				1.5/38			1.5/38		2/51			2/51		
Height-Electrical Box (in/mm)	11/280				13.3/338			13.3/338		N/A			N/A	N/A	13.3/338
Width-Electrical Box (in/mm)	9.8/249				12/305			12/305		N/A			N/A	N/A	12/305
Depth-Electrical Box (in/mm)	3.7/94				4.3/110			4.3/110		N/A			N/A	N/A	4.3/110

¹ For information about net weight and shipping weight please contact a Dometic Marine sales representative at 954-973-2477

² All dimensions ± 0.30 in/8 mm

³ The electrical box (DDC) for single chiller modules can be mounted remotely

SPECIFICATIONS FOR TWCX CHILLERS

Model ¹	TWCX24		TWCX30			TWCX36				
Capacity (BTU/h)	24000		30000			36000				
Voltage (V) ²	220	380	230	220	230	220	460	230	230	380
Cycle (Hz)/Phase (Ph)	50/1	50/3	60/3	50/1	60/1	50/1	60/3	60/1	60/3	50/3
Full Load Amps (FLA) Cool (A)	9.5	3.5	7.2	10.3	9.1	9.6	3.9	12	8.3	5.1
Full Load Amps (FLA) Heat (A)	11.8	4.6	9.1	12	13.2	12.7	5	15.7	10.9	6.6
Locked Rotor Amps (LRA) (A)	63	45	73	63	96.7	63	45	105	95	50
Max. Circuit Breaker (A)	45	20	35	45	60	45	20	70	50	27
Min. Circuit Ampacity (A)	28	13	21	28	34	28	13	43	27	15
Refrigerant Type	R410A		R410A			R410A				
Height-Without Elec. Box (in/mm) (3)	18.6/473		18.6/473			18.6/473				
Height-With Elec. Box (in/mm) (3)	22.6/575		22.6/575			22.6/575				
Max. Width (in/mm) (3)	13/331		13/331			13/331				
Depth-Drain Pan (in/mm) (3)	18/458		18/458			18/458				
Max. Depth (in/mm) (3)	19.4/493		19.4/493			19.4/493				
Seawater Inlet Connection (in/mm)	0.625/16		0.625/16			0.625/16				
Chilled Water Inlet Connection (in/mm)	0.75/20		0.75/20			0.75/20				
Chilled Water Outlet Connection (in/mm)	1/26		1/26			1/26				
Chilled Water Connection Type	FPT		FPT			FPT				

¹ Add a 'C' for 230V/60Hz/1-Ph, 'CK' for 220-250V/50Hz/1-Ph, 'DC' for 230V/60Hz/3-Ph, 'ECK' for 380V/50Hz/3-Ph, or 'EC' for 460V/60Hz/3-Ph. For example, TWCV24DC = 230V/60Hz/3-ph unit

² For information about voltages not shown in this sheet, please contact Dometic Marine sales at 954-973-2477

³ All dimensions ± 0.30 in/8 mm

SPECIFICATIONS FOR TWCX CHILLERS

Model ¹	TWCX48					TWCX60					TWCX72			
Capacity (BTU/h)	48000					60000					72000			
Voltage (V) ²	460	230	220	230	380	460	230	220	230	380	230	230	460	380
Cycle (Hz)/Phase (Ph)	60/3	60/1	50/1	60/3	50/3	60/3	60/1	50/1	60/3	50/3	60/1	60/3	60/3	50/3
Full Load Amps (FLA) Cool (A)	5.2	13.8	14.7	11.3	5.8	5.9	15.8	22.2	11.3	8.3	20.1	16.2	7.1	10.1
Full Load Amps (FLA) Heat (A)	6.6	20.2	21.4	12.7	7.6	7.4	23	29.1	14.8	10.8	29.3	20.1	8.9	13.3
Locked Rotor Amps (LRA) (A)	60	150	130	120	70	70	145	130	123	87	145	160	87	100
Max. Circuit Breaker (A)	30	80	90	55	30	33	101	100	60	42	90	81	42	42
Min. Circuit Ampacity (A)	17	48	50	33	19	19	57	57	34	24	53	45	24	24
Refrigerant Type	R410A					R410A					R410A			
Height-Without Elec. Box (in/mm) (3)	23.4/595					23.4/595					23.4/595			
Height-With Elec. Box (in/mm) (3)	23.4/595					23.4/595					23.4/595			
Max. Width (in/mm) (3)	13.3/338					13.3/338					13.3/338			
Depth-Drain Pan (in/mm) (3)	18/458					18/458					18/458			
Max. Depth (in/mm) (3)	23.9/608					23.9/608					23.9/608			
Seawater Inlet Connection (in/mm)	1.25/32					1.25/32					1.25/32			
Chilled Water Inlet Connection (in/mm)	1/26					1/26					1/26			
Chilled Water Outlet Connection (in/mm)	1/26					1/26					1/26			
Chilled Water Connection Type	FPT					FPT					FPT			

¹ Add a 'C' for 230V/60Hz/1-Ph, 'CK' for 220-250V/50Hz/1-Ph, 'DC' for 230V/60Hz/3-Ph, 'ECK' for 380V/50Hz/3-Ph, or 'EC' for 460V/60Hz/3-Ph. For example, TWCV24DC = 230V/60Hz/3-ph unit

² For information about voltages not shown in this sheet, please contact Dometic Marine sales at 954-973-2477

³ All dimensions ± 0.30 in/8 mm

CHILLER BASES & MANIFOLDS

MODULE SIZE	# OF STAGES	TONS	BASE	MANIFOLD
Chiller Bases and Manifolds (For all custom multi-staged chillers)				
24-36	2	4 - 6	\$1,875	\$2,575
48-60	2	8 - 10	\$1,975	\$3,620
72-90	2	12 - 15	\$2,275	\$4,230
120-180	2	20 - 30	\$2,475	\$6,970
24-36	3	6 - 9	\$2,288	\$3,846
48-72	3	12 - 18	\$2,388	\$5,995
90-120	3	22 - 30	\$2,695	\$9,225
150-180	3	37 - 45	\$2,834	\$11,750
24-36	4	8 - 12	\$2,659	\$5,675
48-72	4	16 - 24	\$2,759	\$6,850

# OF STAGES	208-230V (1PH)	208-230V (3PH)	380-460V (3PH)
PLC Control Panel Standard Package			
2	\$11,675.00	\$12,475.00	\$12,590.00
3	\$14,250.00	\$15,515.00	\$16,085.00
4	\$16,685.00	\$17,715.00	\$18,285.00
5	\$18,655.00	\$19,685.00	\$21,290.00
6	\$20,655.00	\$22,380.00	\$24,095.00

Notes:

1. The Standard Package includes the standard PLC PGD1 controller.
2. Does not support touch screen or remote connectivity.
3. Above Pricing includes circuit breakers and relays for compressors, single CW & SW pumps
4. 380-460V panels include a transformer for control power

# OF STAGES	208-230V 1PH - 3PH	380-460V 3PH	208-230V 1PH - 3PH	380-460V 3PH
-------------	-----------------------	-----------------	-----------------------	-----------------

PLC Control Panel Platinum Package

	7" PLC Colored Touch Screen	7" PLC Colored Touch Screen	13" PLC Colored Touch Screen	13" PLC Colored Touch Screen
2	\$16,595.00	\$16,825.00	\$19,570.00	\$20,030.00
3	\$19,515.00	\$20,090.00	\$22,835.00	\$23,290.00
4	\$23,690.00	\$24,265.00	\$26,895.00	\$27,468.00
5	\$25,580.00	\$27,185.00	\$28,785.00	\$30,390.00
6	\$28,270.00	\$28,955.00	\$31,475.00	\$32,160.00

Notes:

1. Available with 7" or 13" colored touch screen.
2. Above Pricing includes circuit breakers and relays for compressors, single CW & SW pumps.
3. 380-460V panels include a transformer control power
4. See below for Upgrade Options

# OF STAGES	UPGRADE 1	UPGRADE 2	PLATINUM LIST PRICE (UPGRADE 1 & 2)
-------------	-----------	-----------	-------------------------------------

PLC Panel Platinum Package Upgrades

2	\$3,890.00	\$1,490.00	\$5,380.00
3	\$5,725.00	\$1,605.00	\$7,210.00
4	\$7,900.00	\$2,520.00	\$10,300.00
5	\$9,615.00	\$2,635.00	\$12,135.00
6	\$10,990.00	\$2,865.00	\$13,620.00

Upgrade 1 Includes: Pressure transducers and temp sensors to monitor refrigerant pressure and temp - which will be installed on modules from factory if ordered.

Upgrade 2 Includes: Chilled Water and Sea Water pump current single monitoring, compressor amperage without VFD communication. Additional pumps extra.

ELECTRICAL PANEL

OPTIONAL FEATURES	REQUIRED		ADDER
PLC Control Panel Standard Package			
Variable SW pump	level 1 upgrade/VFD(S)		\$550.00
Load Banking	Immersion Heat		\$550.00
Condenser Temp Monitoring	Temp sensors		\$550.00
SW/CW Pressure	transducers/cable		\$700.00
Load Shedding	none		\$550.00
Stage SW Pump	Panel contactors	2 Stages	\$1,025.00
		3 Stages	\$1,665.00
Stage SW Pump 3ph	Panel contactors	2 Stages	\$1,450.00
		3 Stages	\$2,480.00
Stage SW Pump current only	Current transducer	2 Stages	\$810.00
	10 amp	3 Stages	\$1,020.00
VFD communication	VFDs		\$550.00

DESCRIPTION	LIST PRICE (USD)	
PLC Panel Optional Additional Parts		
7inch Touch Screen	\$2,630.00	
PLDPro PLC Small Display	\$400.00	
PGD1 Remote PLC Display	\$735.00	
Splitter for Multiple PGD1 Displays	\$100.00	
Spare Pump Selector Switch, 1-Phase (with contactor):	\$550.00	EACH
Spare Pump Selector Switch, 3-Phase (with relay & overload):	\$900.00	EACH
Extend Harness (10' std, up to 30'):	\$285.00	PER STAGE
Dual Power input (split-bus):	\$280.00	
Dual Doors (wide panels):	\$750.00	
Mount panel on chiller frame:	\$400.00	
Water Pressure Transducer	\$840.00	EACH
Electronic Expansion Valve Platinum PLC Upgrade 1 (with new chiller module) Adders:		
EEV 2 to 8 Ton Chillers	\$215.00	
EEV 10 Ton Chillers and Up	\$550.00	

PLC Parts Descriptions

PLC	Main control with embedded display for operation, one per 3 stages. If touch screen is not used, the user has the option of using the embedded screen on the PLC or a remote display (337420), which mirrors the main PLC.
Touchscreen	Graphical display(s) required if remote connectivity is desired for remote operation and diagnosis. Platinum series only.
Current Transducer	Used to monitor the amperage of compressors and (or) pumps for display and fault sensing.
Pressure Transducer	Monitors the refrigerant pressure or water pressure for display and fault sensing.

LEGACY ITEM #	NEW ITEM #	DESCRIPTION	LIST PRICE (USD)
STIIC			
263400309	9108851028	KIT CNTL STIIC PLC-7" E/BOX	\$7,075.00
Includes Control for--6-stage chiller, 10-airhandler or DX controls with canbus, 2-Eskimo Ice, 6-KRA units, 18-Cooler box controls, 2-XTC Watermakers, 2-ZTC Spot Zero Water Purifiers (Option to upgrade up to 40 airhandler or DX Controls with canbus)			

LEGACY ITEM #	NEW ITEM #	DESCRIPTION	LIST PRICE (USD)
---------------	------------	-------------	------------------

PLC-OTS Electric Boxes for PLC Chiller Modules

This electric box can be used with 2 to 6 stage MCG chillers with PLC controls as either a field retrofit (see notice below) or it can be ordered with a new chiller. The box contains the SW & CW pump contactors (and overloads if 3 ph), a terminal block for pump & power connections, and PGD1 White Dometic display in the lid. Circuit breakers are not included. Order parts from the lists below to create a complete PLC-OTS box & harness assembly.

263600223	9108891700	Single phase CWPLC-OTS box with two 230VAC pump contactors.	\$1,765.00
263600224	9108886685	Three phase CWPLC-OTS box with two 230VAC pump contactors.	\$1,820.00

Also available for 3 phase application. Call for information.

1. Box dimensions: Standard is 14" H x 12" W x 4.7"D, add 1 or 2 pumps and dimensions are 11"H x 15"W x 4.7"D.
2. Need to specify 3 phase pump volts & amps and/or horsepower when ordering 3 phase boxes.
3. 380-460VAC power supplied chillers should use the three phase 230V pump contactor OTS boxes.
4. CXP cable is needed to connect OTS to stage 1 chiller.
5. Stages are networked together with 3 conductor 18/22 gauge wire.

LEGACY ITEM #	NEW ITEM #	DESCRIPTION	LIST PRICE (USD)
---------------	------------	-------------	------------------

Single-Unit MPLC Modular Control Panels MTDV (CRUISAIR ONLY)

This electric box can be used with 2 to 6 stage MCG chillers with PLC controls as either a field retrofit (see notice below) or it can be ordered with a new chiller. The box contains the SW & CW pump contactors (and overloads if 3 ph), a terminal block for pump & power connections, and PGD1 White Dometic display in the lid. Circuit breakers are not included. Order parts from the lists below to create a complete PLC-OTS box & harness assembly.

263200017	9108855420	MPLC-XC for all MTDV Units, 208-480V, 1 & 3 Ph, 115/230V without Display	\$2,575.00
263200018	9108855425	MPLC-VXC Control Panel, As Above, for use with VFD's	\$2,600.00

In addition to the MPLC single-unit panel (one per chiller), the system will require a Standard PLC display (PGD1), CNP5 Network Cables (one per panel), 2x pump relays (for circulation and seawater pumps)

LEGACY ITEM #	NEW ITEM #	DESCRIPTION	LIST PRICE (USD)
---------------	------------	-------------	------------------

PLC Control Panel Parts

336868	336868	5' Display Cable for PGD1	\$19.00
290336951	4471000133	Control, PLC Large PCO5+ w/built in PGD1 display, used on High End	\$2,755.00
263120358	9108922625	Control Kit, SML PLC 230VAC used on basic chiller	\$780.00
290337668	290337668	Control Kit, PLC MED 230V EEV used for basic chiller w/ options	\$895.00
263400120	9108918317	Control Kit, PLC SML 230VAC EEV used for VARC48	\$915.00
263120356	9108850272	Control Kit, PLC HE Chillers	\$3,755.00
290340413	290340413	Pressure Transducer 0-652PSIG 1/4 FPT	\$175.00
290336867	4471000083	Power Supply 24VDC 1.5A DIN	\$195.00
222103012	4471003282	Chiller temp sensor 10 ft cable	\$49.00
222103013	4471003283	Chiller temp sensor 20 ft cable	\$60.00
298001762	298001762	MTD Harness with PLC sensors	\$235.00
263120355	9108850271	EVO Driver w/display for programming	\$1,020.00
297706136	297706136	Heat Asy Remote 12KW 3S 230/1	\$8,770.00

ELECTRICAL PANEL

LEGACY ITEM #	NEW ITEM #	DESCRIPTION	LIST PRICE (USD)
Other Chilled Water Accessories			
4061200	4061200	Humidistat, Wall Mount, 115V/230V	\$520.00
263600125	9108552302	Pressure/Temperature Gauge Kit Box	\$960.00
263600080	263600080	Pressure gauge only in panel w/5' tube	\$240.00
298002193	4471007243	Pressure dial gauge, USG black casing	\$165.00
290330482	290330482	1/2" NPT Brass Ball Valve (tapered full port) *	\$65.00

Notes:

1. Press/Temp Gauge kit has 1 press gauge for return water, and 2 temp gauges for supply and return water.
2. Purchase probe well #330127 if buying gauge panel or box separately from manifolds.

LEGACY ITEM #	NEW ITEM #	DESCRIPTION	LIST PRICE (USD)
DDC Mechanical Rocker Switch Control			
263600104	263600104	Harness 1 stage DDC remote switch, 25'	\$435.00
263600107	263600107	Harness 2 stage DDC remote switch, 25'	\$570.00
263600108	263600108	Harness 3 stage DDC remote switch, 25'	\$730.00
263600114	263600114	Harness 4 stage DDC remote switch, 25'	\$890.00

VFD TO CHILLER REFERENCE

INPUT VOLTAGE	FREQUENCY	PHASE	CAPACITY	VFD POWER	PART NUMBER	MAX CURRENT	MAX BREAKER	LIST PRICE
V	Hz	φ	kBTU/h	(HP/KW)	#	A	A	USD
208	60	1	24 - 48	7.5 HP	263250906	15.9	40	\$3,175.00
208	60	1	60	10 HP	263250909	19.1	50	\$3,590.00
208	60	1	72	15 HP	263250911	31.2	60	\$4,260.00
208	60	1	90 - 120	20 HP	263250913	38.1	80	\$5,730.00
230	60	1	24 - 48	7.5 HP	263250906	15.9	40	\$3,175.00
230	60	1	60	10 HP	263250909	19.1	50	\$3,590.00
230	60	1	72	15 HP	263250911	31.2	60	\$4,260.00
230	60	1	90 - 120	20 HP	263250913	38.1	80	\$5,730.00
208	60	3	24 - 48	5 HP	263250904	17.5	25	\$2,515.00
208	60	3	60 - 72	7.5 HP	263250907	27.5	40	\$3,175.00
208	60	3	90 - 150	15 HP	263250912	54	60	\$4,260.00
208	60	3	180	20 HP	340749	66	80	Call for Price
220	50	3	24 - 60	5 HP	263250904	17.5	25	\$2,515.00
220	50	3	72	7.5 HP	263250907	27.5	40	\$3,175.00
220	50	3	90 - 150	15 HP	263250912	54	60	\$4,260.00
220	50	3	180	20 HP	340749	66	80	Call for Price
230	60	3	24 - 60	5 HP	263250904	17.5	25	\$2,515.00
230	60	3	72	7.5 HP	263250907	27.5	40	\$3,175.00
230	60	3	90 - 150	15 HP	263250912	54	60	\$4,260.00
230	60	3	180	20 HP	340749	66	80	Call for Price
380	50	3	24 - 48	5 HP	263250914	9.5	16	\$2,440.00
380	50	3	60 - 72	7.5 HP	263250900	14.3	25	\$2,820.00
380	50	3	90 - 96	10 HP	263250905	17	32	\$3,235.00
380	50	3	120 - 150	15 HP	263250908	27.7	40	\$4,805.00
380	50	3	180	20 HP	TBD	33	50	Call For Price
460	60	3	24 - 60	5 HP	263250914	9.5	16	\$2,440.00
460	60	3	72 - 96	7.5 HP	263250900	14.3	25	\$2,820.00
460	60	3	120	10 HP	263250905	17	32	\$3,235.00
460	60	3	150 - 180	15 HP	263250908	27.7	40	\$4,805.00

MCGX AND MTCGX

LEGACY ITEM #	NEW ITEM #	NEW DESCRIPTION	LIST PRICE (USD)
---------------	------------	-----------------	------------------

MCGX TITAN Modules Reverse Cycle, R410A Refrigerant, DDC Control - LEGACY

Single Phase Units now with Smart Start Only

260162043	9108922586	MCGX36 2361 SmartStart™	\$15,745.00
260162039	9108916317	MCGX48 2361 SmartStart™	\$16,145.00
260162038	9108915922	MCGX60 2361 SmartStart™	\$17,835.00
260162019	9108916322	MCGX72 2361 SmartStart™	\$18,235.00
260162007	9108916494	MCGX36 2363	\$15,685.00
260162011	9108915838	MCGX48 2363	\$16,055.00
260162016	9108886938	MCGX60 2363	\$17,335.00
260162020	9108893301	MCGX72 2363	\$17,600.00
260162023	9108916324	MCGX90 2363	\$23,410.00
260162026	9108892602	MCGX120 2363	\$26,910.00
260162012	9108916318	MCGX48 3853	\$16,155.00
260162017	9108892185	MCGX60 3853	\$17,435.00
260162021	9108916323	MCGX72 3853	\$17,700.00
260162024	9108916325	MCGX90 3853	\$23,510.00
260162027	9108916326	MCGX120 3853	\$27,010.00
260162030	9108919205	MCGX150 3853	\$37,705.00
260162033	9108893726	MCGX180 3863	\$40,160.00
260162013	9108893689	MCGX48 4663	\$16,155.00
260162028	9108893725	MCGX120 4663	\$26,910.00

Notes MCGX Chillers

1. DDC modules are "Stand Alone", single stage MCG chillers with DDC controls, one electrical box per stage. These modules can be staged together to the required total capacity. Each module requires a dedicated circuit breaker in the ship's A/C panel. *OTS Box or Mechanical Switch is REQUIRED
2. Multi-Stage modules can be calculated by taking DDC List price less \$800. These modules are part of a multi-staged system with a single multi-unit "welded" control panel containing CWMC or PLC controls & one circuit breaker per stage.
3. 380/460V DDC "stand-alone" modules that do not have 115V or 230V available (either separate control power feed or a neutral), add \$175 per stage for a transmer that will be included in the DDC box.

LEGACY ITEM #	NEW ITEM #	NEW DESCRIPTION	LIST PRICE (USD)
---------------	------------	-----------------	------------------

MCGX-LP TITAN 'Low Profile' Modules Reverse Cycle

R410A Refrigerant, DDC Control - LEGACY

260163042	9108893733	MCGXLP48 2361 SmartStart™	\$16,875.00
260163026	9108922671	MCGXLP60 2361 SmartStart™	\$18,105.00
260163003	9108893731	MCGXLP36 2363	\$15,795.00
260163007	9108886956	MCGXLP48 2363	\$16,515.00
260163012	9108886106	MCGXLP60 2363	\$17,745.00
260163016	9108915839	MCGXLP72 2363	\$19,190.00
260163013	9108918326	MCGXLP60 3853	\$18,260.00
260163017	9108893741	MCGXLP72 3853	\$19,290.00

Additional sizes and voltages available. Call your sales representative for part number and price.

LEGACY ITEM #	NEW ITEM #	NEW DESCRIPTION	LIST PRICE (USD)
---------------	------------	-----------------	------------------

Cruisair Authorized Distributors and Dealers Only

MTCGX TITAN Modular Chiller Units, R410A, Replacements Only

260161040	9108893743	MTCGX36 2361	\$16,230.00
260161070	9108917779	MTCGX48 2361	\$17,255.00
260161072	9108916598	MTCGX60 2361	\$18,490.00
260161071	9108893792	MTCGX48 2363	\$17,255.00
260161073	9108893793	MTCGX60 2363	\$18,490.00
260161038	9108886107	MTCGX72 2363	\$19,510.00
260161042	9108893797	MTCGX96 2363	\$25,485.00
260161043	9108892117	MTCGX120 2363	\$28,860.00
260161052	9108893798	MTCGX96 3853	\$25,585.00
260161051	9600003524	MTCGX96 4663	\$26,410.00

MTDX TITAN Modular Chiller Units, R410A

260161005	9108921852	MTDX30 2361	\$14,790.00
260161010	9108893799	MTDX36 2361	\$14,945.00
260161014	9108921871	MTDX48 2361	\$15,860.00
260161019	9108924082	MTDX60 2361	\$17,100.00
260161011	9600023240	MTDX36 2361 SmartStart™	\$15,550.00
260161036	9600001342	MTDX60 2361 SmartStart™	\$17,705.00
260161016	9108915836	MTDX48 2363	\$15,860.00
260161021	9108891725	MTDX60 2363	\$17,100.00
260161025	9108893805	MTDX72 2363	\$18,490.00
260161028	9108892188	MTDX96 2363	\$25,010.00
260161031	9108893807	MTDX120 2363	\$27,160.00
260161017	9108893802	MTDX48 3853	\$16,015.00
260161022	9108919018	MTDX60 3853	\$17,300.00
260161026	9108923865	MTDX72 3853	\$18,690.00
260161032	9108923488	MTDX120 3853	\$27,370.00
260161027	9600001918	MTDX72 4663	\$18,490.00
260161030	9600005211	MTDX96 4663	\$25,010.00

Additional sizes and voltages available MTD units. Contact your sales representative part number and price.

Notes:

1) Compressor electrical data are nominally rated at the Volt/Hz/Ph listed, and can be operated in the following ranges:

230/60/1 compressors are rated 208 - 230/60/1; 220/50/1 comps 220 - 240/50/1; 230/60/3 comps 208 - 230/60/3; 220/50/3 comps 200 - 220/50/3; 380/50/3 comps 380 - 420/50/3; 220/50/3 comps 200 - 220/50/3; 380/50/3 comps 380 - 420/50/3; and 460/60/3 comps 440 - 480/60/3 and 380 - 420/50/3.

These compressors can usually be run at +/-10% of the rated voltage, with these exceptions:

208-230/60/1 -5/+10% a range of 198-253; and 220-240/50/1 -5/+10% a range of 209-264.

For more information regarding compressor voltages, refer to field notice FNR#192-B3-C on the Dometic Customer News Website.

2) Dual 50/60Hz Operation: If there is a need a system to be able to run in both 50Hz and 60Hz environments, the best solution is to use a VFD. Make sure the pumps are rated 50/60Hz, but sized to provide enough flow at 50Hz.

TWCX

LEGACY ITEM #	NEW ITEM #	NEW DESCRIPTION	LIST PRICE (USD)
TWCX TITAN Chillers with DDC control panel			
Switch or display & cables sold separately			
260111400	9108893809	TWCX24 2251 DDC 410A	\$11,495.00
260111405	9108893815	TWCX36 2251 DDC 410A	\$12,060.00
260111447	9108916150	TWCX60 2251 DDC 410A	\$15,010.00
260111471	9108916136	TWCX30 2361 DDC 410A	\$11,595.00
260111412	9108915840	TWCX36-SC 2361 DDC 410A	\$12,060.00
260111435	9108893817	TWCX48 2361 DDC 410A	\$14,225.00
260111485	9108916138	TWCX30 2363 DDC 410A	\$11,695.00
260111473	9108916151	TWCX60 2363 DDC 410A	\$15,110.00
260111409	9108916143	TWCX36-SC 3853 DDC 410A	\$12,260.00
260111423	9108916148	TWCX48 3853 DDC 410A	\$14,425.00
260111432	9108893824	TWCX60 3853 DDC 410A	\$15,210.00
260111422	9108893826	TWCX72 3853 DDC 410A	\$15,830.00

LEGACY ITEM #	NEW ITEM #	NEW DESCRIPTION	LIST PRICE (USD)
TWCX Chillers with DDC control panel and SmartStart			
260111459	9108855134	TWCX30 2361 DDC 410A SS	\$12,225.00
260111463	9108893814	TWCX36 2361 DDC 410A SS	\$12,690.00
260111443	9108916046	TWCX48 2361 DDC 410A SS	\$14,855.00
260111461	9108893812	TWCX30 2251 DDC 410A SS	\$12,225.00
260111418	9108893819	TWCX48 2251 DDC 410A SS	\$14,855.00

Additional voltages please contact your Cruisair Applications Representative

Chiller Unit Notes:

1. Only TWCX24-36 chillers come with a remote mountable control box.
TWCX48-72 chillers with a remote mountable control box are available (add \$800 list).
2. TWC Chillers have R-410A refrigerant as standard.
3. Pump relays (x2) will be needed if multiple chillers are used.
4. Following parts must be ordered:
 - TWLC keypad/display (one or more)
 - A-416/## temp sensor CW supply
 - Probe well temp sensor if using plastic pipe.

Manifold Notes:

1. Manifolds are part of a multi-stage chiller system and are not sold separately
2. Call pricing on vertical frames and manifolds
3. The manifold set includes:
 - Inlet and outlet CW manifolds, insul. copper
 - Inlet and outlet SW manifolds CPVC
 - FPT connections at both ends of manifolds.

LEGACY ITEM #	NEW ITEM #	NEW DESCRIPTION	LIST PRICE (USD)
AU Air Handlers, with High Velocity Blowers			
Switch or display & cables sold separately			
261400061	9108786177	AU6HV 5"MR 115V	\$2,000.00
261400091	9108786246	AU9HV 6"MR 115V	\$2,120.00
261400121	9108786249	AU12HV 6"MR 115V	\$2,220.00
261400181	9108786253	AU18HV 7"MR 115V	\$2,440.00
261400241	9108786257	AU24HV 8"MR 115V	\$2,780.00
261400060	9108786176	AU6HVZ 5"MR 230V	\$2,000.00
261400090	9108786245	AU9HVZ 6"MR 230V	\$2,120.00
261400120	9108750669	AU12HVZ 6"MR 230V	\$2,220.00
261400180	9108786252	AU18HVZ 7"MR 230V	\$2,440.00
261400240	9108786256	AU24HVZ 8"MR 230V	\$2,780.00
AU Air Handlers, with HV Blowers and Heating			
261400064	9108798492	AU6HVZ-1KW 5"MR 230V	\$2,700.00
261400106	9108798365	AU9HVZ-1.5KW 6MR 230V	\$2,830.00
261400124	9108798287	AU12HVZ-1.5KW 6"MR 230V	\$2,930.00
261401025	9108833844	AU18HVZ-2X1.5KW 7MR 230V	\$3,240.00
261400244	9108800939	AU24HVZ-2X1.5KW 8"MR 230V	\$3,580.00
AU Air Handlers, with DC Blowers			
261400069	9108798694	AU6DCZ 5"MR 230V	\$3,075.00
261400099	9108798703	AU9DCZ 6"MR 230V	\$3,120.00
261400129	9108798706	AU12DCZ 6"MR 230V	\$3,220.00
261400189	9108798660	AU18DCZ 7"MR 230V	\$3,540.00
261400249	9108800941	AU24DCZ 8"MR 230V	\$3,880.00
AU Air Handlers, with DC Blowers and Heating			
261400071	9108798695	AU6DCZ-1KW 5"MR 230V	\$3,785.00
261400110	9108798708	AU9DCZ-1.5KW 6"MR 230V	\$3,830.00
261400131	9108798705	AU12DCZ-1.5KW 6"MR 230V	\$3,930.00
261400227	9108845207	AU18DCZ-2X1.5KW 7MR 230V	\$4,340.00
261400251	9108794786	AU24DCZ-2X1.5KW 8MR 230V	\$4,680.00
AHU Air Handlers			
261402081	9600010650	AHU48DCZ-3X1.5KW(230/3) HORZ	\$12,335.00
261402070	9108894125	AHU72DCZ HORIZONTAL	Call for Price
261402076	9108919555	AHU72DCZ VERTICAL	Call for Price
261402078	9600008065	AHU72DCZ-3.0KW HORIZONTAL	Call for Price
EUROPEAN VERSION AIR HANDLERS			
AU-EU Air Handlers, with HV Blowers			
261402006	9108811904	AU6HVZ-EU 5"MR 230V	\$2,175.00
261402009	9108812657	AU9HVZ-EU 6"MR 230V	\$2,295.00
261402012	9108812067	AU12HVZ-EU 6"MR 230V	\$2,395.00
261402018	9108812658	AU18HVZ-EU 7"MR 230V	\$2,615.00
261402024	9108812068	AU24HVZ-EU 8"MR 230V	\$2,955.00
AU-EU Air Handlers, with HV Blowers and Heating			
261402007	9108841349	AU6HVZ-EU-1KW 5"MR 230V	\$2,875.00
261402010	9108834056	AU9HVZ-EU-1.5KW 6"MR 230V	\$3,005.00
261402020	9600001355	AU18HVZ-EU-2X1.5KW 7MR 230V	\$3,415.00
261402025	9108831498	AU24HVZ-EU-2X1.5KW 8"MR 230V	\$3,755.00

AIR HANDLERS

LEGACY ITEM #	NEW ITEM #	NEW DESCRIPTION	LIST PRICE (USD)
AU-EU Air Handlers, with DC Blowers			
261402050	9108825300	AU6DCZ-EU 5"MR 230V	\$3,250.00
261402051	9108814893	AU9DCZ-EU 6"MR 230V	\$3,295.00
261402052	9108825301	AU12DCZ-EU 6"MR 230V	\$3,395.00
261402053	9108814894	AU18DCZ-EU 7"MR 230V	\$3,715.00
261402054	9108825298	AU24DCZ-EU 8"MR 230V	\$4,055.00
AU-EU Air Handlers, with DC Blowers and Heating			
261402061	9108852308	AU9DCZ-EU-1.5KW 6MR 230V	\$4,005.00
261402063	9108855019	AU12DCZ-EU-1.5KW 6"MR 230V	\$4,105.00
Control Box AU-EU High Velocity Blowers			
263400920	9108818211	Control Box AU-HV-EU I/O 20' display cable	\$840.00
263400921	9108818212	Control Box AU-HV-EU Q-Logic	\$940.00
263400922	9108818213	Control Box AU-HV-EU Slave	\$310.00
263400943	9108918007	Control Box Au-HV-EU Canbus w/ Deutsch Hrns	\$1,330.00
Control Box AU-EU DC Blowers			
263400923	9108831773	Control Box AU-DC-EU I/O 20' display cable	\$885.00
263400924	9108834723	Control Box AU-DC-EU Q-Logic	\$1,015.00
263400925	9108834724	Control Box AU-DC-EU Slave	\$340.00
263400944	9108918009	Control Box AU-DC-EU Canbus w/ Deutsch hrns	\$1,545.00
Note: AU-XX-EU Kits above include circuit board in box, 90cm cable harness. 120cm Water Sensor & Air Sensor, 610cm display cable with I/O kit only. No display or bezel included in kits, see Climate Controls and Electronics section.			
AT High Velocity Air Handlers			
261300007	9108551463	AT4HVZ 4"MR 230V	\$1,900.00
261300087	9108551500	AT36HVZ 8"MR 230V	\$4,760.00
261300287	9108551515	AT36HVZ-2X1.5KW 8"MR 230V	\$5,650.00
AT-DC 36K Air Handlers			
261300915	9108551900	AT36DCZ 8"MR 230V	\$5,760.00
261300704	9600014842	AT36DCZ-R90 8"MR 230V	\$5,835.00
261301273	9108853490	AT36DCZ-1.5KW 8"MR 230V	\$6,470.00
261301555	9108891976	AT36DCZ-2X1KW 8"MR 230V	\$6,650.00
ATL Draw-Through Air Handlers, with HV Blowers			
261301634	9600026013	ATL6HVZ 5"MR 230V	\$3,180.00
261301956	9610002030	ATL9HVZ 6"MR 230V	\$3,385.00
261301465	9108834534	ATL18HVZ 6"MR 230V	\$4,025.00
261301678	9610002765	ATL18HVZ-RH 6"MR 230V	\$4,100.00
261301573	9108916880	ATL24HVZ 8"MR 230V	\$4,130.00
261301653	9610001444	ATL24HVZ-R 8"MR 230V	\$4,205.00
261301197	9108777054	ATL36HVZ 8"MR 230V	\$6,455.00
ATL Draw-Through Air Handlers, with DC Blowers			
261301645	9610000907	ATL12DCZ 6"MR 230V	\$5,565.00
261300528	9108551612	ATL16FZ 230V	\$3,915.00
261301609	9600016977	ATL18DCZ 6"MR 230V	\$5,565.00
261301638	9600026155	ATL18DCZ-2X1.5KW 6"MR 230V	\$6,285.00
261301911	9108852309	ATL24DCZ 8"MR 230V	\$5,790.00
261301957	9610002601	ATL24DCZ-RH 8"MR 230V	\$5,705.00
261301699	9610003385	ATL24DCZ-1.5KW 8"MR 230V	\$6,340.00
261301527	9108852674	ATL36DCZ 8"MR 230V	\$7,255.00
261301244	9108782694	ATL36DCZ-2X1.5KW 8"MR 230V	\$8,145.00

Note: Electric Heat is available on the ATLs, ATVs, and ABLs.

LEGACY ITEM #	NEW ITEM #	NEW DESCRIPTION	LIST PRICE (USD)
ABL Horizontal Air Handlers, with HV Blowers			
262110040	9108792067	ABL24HVZ 6"MR 230V	\$5,840.00
262110049	9600012347	ABL18HVZ CTD-CL 6MR 230V	\$6,220.00
ABL Horizontal Air Handlers, with DC Blowers			
262110022	9108686579	ABL18DCZ 7"MR 230V	\$6,720.00
262110050	9600026157	ABL24DCZ-2X1.5KW 6"MR 230V	\$7,685.00
ATV Vertical Draw-Through Air Handlers, with HV Blowers			
261301284	9108922478	ATV6HVZ-LP-L90 5"MR 230V	\$2,875.00
261301687	9610003087	ATV9HVZ-SQ-L90 6"MR 230V	\$2,900.00
261301280	9108915095	ATV12HVZ-LP-L90-1KW 6"MR 230V	\$3,510.00
261300542	9108681856	ATV18HVZ-LP-L90 7"MR 230V	\$3,850.00
261300572	9108682812	ATV24HVZ-LP L90 8"MR 230V	\$4,620.00
261301649	9610001175	ATV24HVZ-LP-1.5KW-L90 8"MR 230	\$5,330.00
ATV Vertical Draw-Through Air Handlers, with DC Blowers			
261301589	9600004951	ATV6DCZ-LP L90 5"MR 230V	\$3,875.00
261301383	9108797311	ATV6DCZ-LP-1KW L90 5"MR 230V	\$4,585.00
261301920	9108886204	ATV9DCZ-LP-L90 6"MR 230V	\$3,900.00
261301943	9600016928	ATV9DCZ-LP-1.5KW-L90 6"MR 230V	\$4,610.00
261401938	9600002039	ATV12DCZ-LP-L90 6MR 230V	\$4,150.00
261301289	9600001372	ATV12DCZ-LP-L90-1.5KW 6MR 230V	\$4,860.00
261401939	9600002040	ATV18DCZ-LP-L90 7MR 230V	\$4,850.00
261401952	9600003434	ATV18DCZ-LP-1.5KW-L90 7MR 230V	\$5,560.00
261301498	9108841153	ATV24DCZ-LP-L90 8"MR 230V	\$5,620.00
261301631	9600025570	ATV24DCZ-LP-2X1.5KW-L90 8"MR	\$6,465.00
Fresh Air Makeup Air Handlers with DC Blowers and Pulse Heat Control			
261402100	9610004821	AU9DCZ-RH-1.5KW-MU 6MR 230V	\$6,340.00
261400821	9600013369	AU12DCZ-1.5KW-PLC-MU 6MR 230V	\$7,125.00
Dometic Air Handler Control Package			
263400938	9108893730	DAHC Control Kit 115/230 HV-Includes control box with u-board, 7' water sensor and 10' air sensor.	\$605.00
263400940	9108916654	DAHC Control Kit 115/230 DC-Includes control box with u-board, 7' water sensor and 10' air sensor.	\$605.00
263400951	9600013877	DAHC Control Kit 115/230 HV - Includes control box with u-board, 7' water sensor, 15' Temp sensor (Relative Humidity)	\$755.00
263400941	9108920127	DAHC Control Kit 115/230 HV - COS includes control box with u-board, 7' water sensor, 10' air sensor	\$880.00
263400937	9108893729	DAHC/CANBUS Kit 115/230 HV-Includes control box with u-board, 7' water sensor, 10' air sensor and Canbus adapter.	\$1,035.00
263400939	9108919876	DAHC/CANBUS Kit 115/230 DC-Includes control box with u-board, 7' water sensor, 10' air sensor and Canbus adapter.	\$1,035.00
Note: Display and display cable sold separately. Air handlers will not operate on 200-230V. There is a specific 208V unit for voltages of 200-208V. Flow control regulators are available to be purchased separately.			
NEW Air Handler Flow Controls			
264600045	9610004660	FC ASY 1GPM 1/2FPTXFPT 4K KIT	\$300.00
264600046	9610004661	FC ASY 1.5GPM 1/2FPTXFPT 6K KI	\$300.00
264600047	9610004662	FC ASY 2.5GPM 1/2FPTXFPT 9K KI	\$300.00
264600048	9610004663	FC ASY 3GPM 1/2FPTXFPT 12K KIT	\$300.00
264600049	9610004664	FC ASY 4GPM 1/2FPTXFPT 16K KIT	\$300.00
264600050	9610004665	FC ASY 4.67GPM 1/2FPXFPT 18K K	\$300.00
264600051	9610004666	FC ASY 6GPM 1/2FPTXFPT 24K KIT	\$300.00
264600053	9610004668	FC ASY 9.33GPM 1/2FPTXFPT 36K	\$300.00

SPECIFICATIONS FOR AU - HV AIR HANLDRERS

Model ^{1 2}	AU6HV		AU9HV		AU12HV		AU18HV		AU24HV	
Nominal Capacity - Cool (BTU/h)	6000		9000		12000		18000		24000	
Voltage @ 50/60Hz 1-Ph (V)	230	115	230	115	230	115	230	115	230	115
Full Load Amps (FLA) Cool (A)	0.83	1.56	0.61	1.14	0.78	1.61	1.18	2.52	1.64	3.4
Full Load Amps (FLA) Heat (A)	5.18	10.26	4.96	9.84	7.3	14.65	14.22	28.61	14.68	29.49
Optional Electric Heat (kW)	1		1.5		1.5		3		3	
Max. Circuit Breaker (A)	10	15	10	15	10	20	15	30	20	35
Min. Circuit Ampacity (A)	6	11	6	11	8	16	15	30	16	31
Water Flow (gpm/lpm)	1.5/5.7		2.3/8.8		3/11.4		4.5/17.1		6/22.8	
Air Flow (cfm/m3h)	229/390		278/473		338/575		465/791		506/860	
External Static Pressure (in H ₂ O/Pa)	0.3/74.7		0.3/74.7		0.3/74.7		0.3/74.7		0.3/74.7	
Chilled Water Pressure Drop (PSI)	1.1		4.4		8		4.6		11	
Max. Height (in/mm) ³	12.13/309		13.31/339		13.38/340		15.38/391		16.75/426	
Max. Width (in/mm) ³	14.5/369		16.5/420		16.5/420		20.13/512		22.63/575	
Max. Depth (in/mm) ³	12.56/320		13.25/337		14.25/362		15/381		15.38/391	
Drain Connection Size (in/mm)	0.5/13		0.5/13		0.5/13		0.5/13		0.5/13	
Drain Connection Type	FPT		FPT		FPT		FPT		FPT	
Chilled Water Connection Size (in/mm)	0.5/13		0.5/13		0.5/13		0.5/13		0.5/13	
Chilled Water Connection Type	FPT		FPT		FPT		FPT		FPT	
Min. Supply Duct Size (in/mm)	5/127		6/153		6/153		7/178		8/204	
Min. Supply Air Grille Size (sq in/sq cm)	35/226		49/317		70/452		100/646		140/904	
Min. Return Air Grille Size (sq in/sq cm)	70/452		98/633		130/839		200/1291		240/1549	
Net Weight (lbs/kg)	22/10		26/11.8		30/13.6		34.75/15.8		40.5/18.4	
Gross Weight (lbs/kg)	29/13.15		34/15.4		39/17.7		45/20.5		53/24.0	

¹ Model numbers shown are for 115V units with high-velocity (HV) blowers. Add a 'Z' for 230V units; add '-FC' for optional flow control; add '-L__' or '-R__' for valve position (relative to the coil) and angle of the blower; add '___kW' for amount of optional electric heat in kilowatts (for ex. 1.5 kW). See DWG H3050002 for a visual explanation of valve orientation and blower angle.

² 'HV' indicates high-velocity blower.

³ All dimensions ± 0.30 in/8 mm.

SPECIFICATIONS FOR AU - DC AIR HANLERS

MODEL ¹	AU6DC	AU9DC	AU12DC	AU18DC	AU24DC
Nominal Capacity - Cool (BTU/h)	6000	9000	12000	18000	24000
Voltage @ 50/60Hz 1-Ph (V)	230	230	230	230	230
Full Load Amps (FLA) Cool (A)	1.4	1.4	3.17	3.9	3.86
Full Load Amps (FLA) Heat (A)	5.75	7.92	9.69	17	16.9
Full Load Amps (FLA) Blower (A)	1.4	1.4	3.2	3.9	3.9
Optional Electric Heat (kW)	1	1	1.5	3	3
Max. Circuit Breaker (A)	10	10	15	20	20
Min. Circuit Ampacity (A)	7	9	11	18	18
Water Flow (gpm/lpm)	1.5/5.7	2.25/8.6	3/11.4	4.5/17.1	6/22.8
Air Flow (cfm/m ³ h)	200/340	300/510	400/680	600/1020	700/1190
External Static Pressure (in H ₂ O/Pa)	2.9/722.1	2.8/697.2	2.6/647.4	2.1/522.9	1.4/348.6
Chilled Water Pressure Drop (PSI)	1.1	4.4	8	4.6	11
Max. Height (in/mm) ²	11.7/298	13.4/341	13.4/341	14.4/366	15.5/394
Max. Width (in/mm) ²	14.4/366	16.4/417	16.4/417	19.9/506	22.4/569
Max. Depth (in/mm) ²	14/356	14/356	16.7/425	17.3/440	17.3/440
Drain Connection Size (in/mm)	0.5/13	0.5/13	0.5/13	0.5/13	0.5/13
Drain Connection Type	FPT	FPT	FPT	FPT	FPT
Chilled Water Connection Size (in/mm)	0.5/13	0.5/13	0.5/13	0.5/13	0.5/13
Chilled Water Connection Type	FPT	FPT	FPT	FPT	FPT
Min. Supply Duct Size (in/mm)	5/127	6/153	6/153	7/178	8/204
Min. Supply Air Grille Size (sq in/sq cm)	35/226	49/317	70/452	100/646	140/904
Min. Return Air Grille Size (sq in/sq cm)	70/452	98/633	130/839	200/1291	240/1549
Net Weight (lbs/kg) ³	24/10.9	26.5/12.1	33.25/15.1	42/19.1	46/20.9
Gross Weight (lbs/kg)	31/14.1	35/15.9	42/19.1	54/24.5	58/26.4

¹ Model numbers shown are for 230V units with brushless "WhisperCool" (DC) blowers. Add a 'Z' for 230V units; add '-FC' for optional flow control; add '-L__' or '-R__' for valve position (relative to the coil) and angle of the blower; add '___kW' for amount of optional electric heat in kilowatts (for ex. 1.5 kW). See DWG H3050002 for a visual explanation of valve orientation and blower angle.

² All dimensions ± 0.30 in/8 mm.

SPECIFICATIONS FOR ATL - HV AIR HANLDRERS

Model ¹	ATL6HV	ATL9HV	ATL12HV		ATL18HV	ATL24HV	
Nominal Capacity (BTU/h)	6000	9000	12000		18000	24000	
Voltage @ 50/60Hz 1-Ph (V)	230	230	115	230	230	115	230
Full Load Amps (FLA) Cool (A)	0.9	0.6	3.12	1.8	1.8	2.3	1.15
Full Load Amps (FLA) Blower (A)	0.7	0.5	3.2	1.4	1	3.4	1.3
Optional Electric Heat (kW) ²	1	1	1		1.5	1.5	
Heater Element Quantity	1	1	2		2	1	
Heater Amps (A)	5	4.8	20.6	10.1	9.7	16.4	7.8
Max. Circuit Breaker (A)	5	5	5		5	5	
Min. Circuit Ampacity (A)	2	1	4	3	3	3	2
Water Flow (gpm/lpm)	1.5/5.7	2.25/8.6	3/11.4		4.5/17.1	6/22.8	
Air Flow (cfm/m3h) (3)	200/340	233/396	350/595		467/793	730/1241	
External Static Pressure (inH2O/Pa)	0.3/74.7	0.3/74.7	0.3/74.7		0.3/74.7	0.3/74.7	
Height-Deck Mount (in/mm) ⁴	8/204	8/204	8.1/206		8.1/206	10/254	
Height-Suspension Mount (in/mm) ⁴	8.1/206	8.1/206	8.1/206		8.1/206	10.1/257	
Max. Width (in/mm)	19.6/498	19.6/498	31.6/803		31.6/803	42.9/1090	
Depth-Without Heat (in/mm) ⁴	18/458	19.7/501	17.9/455		19.8/503	22/559	
Depth-With Heat (in/mm) ⁴	23.7/602	25.4/646	23.6/600		25.5/648	27.7/704	
Drain Connection Size (in/mm)	0.5/13	0.5/13	0.5/13		0.5/13	0.5/13	
Drain Connection Type	tube stubs	tube stubs	tube stubs		tube stubs	tube stubs	
Chilled Water Connection Size (in/mm)	0.5/13	0.5/13	0.5/13		0.5/13	0.5/13	
Chilled Water Connection Type	FPT	FPT	FPT		FPT	FPT	
Quantity-Duct Connections	1	1	2		2	1	
Min. Supply Duct Size (in/mm) ⁵	4/102	6/153	6/153		7/178	9/229	
Min. Supply Air Grille Size (sq in/sq cm)	35/226	49/317	35/226		49/317	147/949	
Min. Return Air Grille Size (sq in/sq cm)	70/452	98/633	130/839		200/1291	240/1549	
Pan Style	sloped	sloped	sloped		sloped	sloped	

1. 'HV' indicates high-velocity blower. Add '-FC' at end of model name for optional flow control; the default valve position is to the left of the coil (as one faces it), so add 'R' to the model for the valve on the right side; add '#kW' for amount of optional electric heat in kilowatts.

2. 1.5 kW is recommended for the ATL24 because it has one blower. 2 kW is the maximum.

3. Air flow data is for units without electric heat. Electric heat reduces air flow by an amount to be determined.

4. All dimensions \pm 0.30 in/8 mm.

5. ATL12, ATL18, and ATL36 models have dual blowers and therefore two supply duct rings.

SPECIFICATIONS FOR ATL - DC AIR HANLERS

Model ¹	ATL6DC	ATL9DC	ATL12DC	ATL18DC	ATL24DC	ATL36DC
Nominal Capacity (BTU/h)	6000	9000	12000	18000	24000	36000
Voltage @ 50/60Hz 1-Ph (V)	230	230	230	230	230	230
Full Load Amps (FLA) Cool (A)	1.4	1.4	2.8	2.8	3.9	7.8
Full Load Amps (FLA) Blower (A)	1.4	1.4	2.8	2.8	1.5	3
Optional Electric Heat (kW) ²	1	1	2	2	1.5	3
Heater Element Quantity	N/A	N/A	N/A	N/A	N/A	N/A
Heater Amps (A)	5.7	5.7	11.5	11.5	8	16
Max. Circuit Breaker (A)	5	5	5	5	5	30
Min. Circuit Ampacity (A)	2	2	4	4	5	23
Water Flow (gpm/lpm)	1.5/5.7	2.25/8.6	3/11.4	4.5/17.1	6/22.8	9/34.1
Air Flow (cfm/m3h) ³	200/340	233/396	350/595	467/793	670/1139	1000/1700
External Static Pressure (inH2O/Pa)	1.75/435.8	0.6/149.4	1.75/435.8	0.6/149.4	0.3/74.7	0.3/74.7
Height-Deck Mount (in/mm) ⁴	8/204	8/204	8/204	8/204	10/254	10/254
Height-Suspension Mount (in/mm) ⁴	8.2/209	8.2/209	8.2/209	8.2/209	10.1/257	10.1/257
Max. Width (in/mm) ⁴	19.6/498	19.6/498	31.5/801	31.5/801	43.8/1113	61.8/1570
Depth-Without Heat (in/mm) ⁴	19.7/501	19.7/501	17.9/455	17.9/455	20.5/521	20.5/521
Depth-With Heat (in/mm) ⁴	25.4/646	25.4/646	23.6/600	23.6/600	26.2/666	26.2/666
Drain Connection Size (in/mm)	0.5/13	0.5/13	0.5/13	0.5/13	0.5/13	0.5/13
Drain Connection Type	tube stubs	FPT	tube stubs	tube stubs	tube stubs	tube stubs
Chilled Water Connection Size (in/mm)	0.5/13	0.5/13	0.5/13	0.5/13	0.5/13	0.5/13
Chilled Water Connection Type	FPT	FPT	FPT	FPT	FPT	FPT
Quantity-Duct Connections	1	1	2	2	1	2
Min. Supply Duct Size (in/mm) ⁵	4/102	6/153	6/153	7/178	9/229	10/254
Min. Supply Air Grille Size (sq in/sq cm)	35/226	49/317	35/226	49/317	147/949	168/1084
Min. Return Air Grille Size (sq in/sq cm)	70/452	98/633	130/839	200/1291	240/1549	360/2323
Pan Style	sloped	sloped	sloped	sloped	sloped	sloped

1. 'DC' indicates optional brushless "WhisperCool" (DC) blowers. Add '-FC' at end of model name for optional flow control; the default valve position is to the left of the coil (as one faces it), so add 'R' to the model for the valve on the right side; add '#kW' for amount of optional electric heat in kilowatts.

2. 1.5 kW is recommended for the ATL24 because it has one blower. 2 kW is the maximum.

3. Air flow data is for units without electric heat. Electric heat reduces air flow by an amount to be determined

SPECIFICATIONS FOR ATV - HV AIR HANLDRERS

Model ¹	ATL6HV	ATL9HV	ATL12HV		ATL18HV	ATL24HV	
Nominal Capacity (BTU/h)	6000	9000	12000		18000	24000	
Voltage @ 50/60Hz 1-Ph (V)	230	230	115	230	230	115	230
Full Load Amps (FLA) Cool (A)	0.9	0.6	3.12	1.8	1.8	2.3	1.15
Full Load Amps (FLA) Blower (A)	0.7	0.5	3.2	1.4	1	3.4	1.3
Optional Electric Heat (kW) ²	1	1	1		1.5	1.5	
Heater Element Quantity	1	1	2		2	1	
Heater Amps (A)	5	4.8	20.6	10.1	9.7	16.4	7.8
Max. Circuit Breaker (A)	5	5	5		5	5	
Min. Circuit Ampacity (A)	2	1	4	3	3	3	2
Water Flow (gpm/lpm)	1.5/5.7	2.25/8.6	3/11.4		4.5/17.1	6/22.8	
Air Flow (cfm/m ³ h) (3)	200/340	233/396	350/595		467/793	730/1241	
External Static Pressure (inH ₂ O/Pa)	0.3/74.7	0.3/74.7	0.3/74.7		0.3/74.7	0.3/74.7	
Height-Deck Mount (in/mm) ⁴	8/204	8/204	8.1/206		8.1/206	10/254	
Height-Suspension Mount (in/mm) ⁴	8.1/206	8.1/206	8.1/206		8.1/206	10.1/257	
Max. Width (in/mm)	19.6/498	19.6/498	31.6/803		31.6/803	42.9/1090	
Depth-Without Heat (in/mm) ⁴	18/458	19.7/501	17.9/455		19.8/503	22/559	
Depth-With Heat (in/mm) ⁴	23.7/602	25.4/646	23.6/600		25.5/648	27.7/704	
Drain Connection Size (in/mm)	0.5/13	0.5/13	0.5/13		0.5/13	0.5/13	
Drain Connection Type	tube stubs	tube stubs	tube stubs		tube stubs	tube stubs	
Chilled Water Connection Size (in/mm)	0.5/13	0.5/13	0.5/13		0.5/13	0.5/13	
Chilled Water Connection Type	FPT	FPT	FPT		FPT	FPT	
Quantity-Duct Connections	1	1	2		2	1	
Min. Supply Duct Size (in/mm) ⁵	4/102	6/153	6/153		7/178	9/229	
Min. Supply Air Grille Size (sq in/sq cm)	35/226	49/317	35/226		49/317	147/949	
Min. Return Air Grille Size (sq in/sq cm)	70/452	98/633	130/839		200/1291	240/1549	
Pan Style	sloped	sloped	sloped		sloped	sloped	

1. 'HV' indicates high-velocity blower. Add '-FC' at end of model name for optional flow control; the default valve position is to the left of the coil (as one faces it), so add 'R' to the model for the valve on the right side; add '#kW' for amount of optional electric heat in kilowatts.

2. 1.5 kW is recommended for the ATL24 because it has one blower. 2 kW is the maximum.

3. Air flow data is for units without electric heat. Electric heat reduces air flow by an amount to be determined.

4. All dimensions ± 0.30 in/8 mm.

5. ATL12, ATL18, and ATL36 models have dual blowers and therefore two supply duct rings.

SPECIFICATIONS FOR ATV - DC AIR HANLERS

Model ¹	ATL6DC	ATL9DC	ATL12DC	ATL18DC	ATL24DC	ATL36DC
Nominal Capacity (BTU/h)	6000	9000	12000	18000	24000	36000
Voltage @ 50/60Hz 1-Ph (V)	230	230	230	230	230	230
Full Load Amps (FLA) Cool (A)	1.4	1.4	2.8	2.8	3.9	7.8
Full Load Amps (FLA) Blower (A)	1.4	1.4	2.8	2.8	1.5	3
Optional Electric Heat (kW) ²	1	1	2	2	1.5	3
Heater Element Quantity	N/A	N/A	N/A	N/A	N/A	N/A
Heater Amps (A)	5.7	5.7	11.5	11.5	8	16
Max. Circuit Breaker (A)	5	5	5	5	5	30
Min. Circuit Ampacity (A)	2	2	4	4	5	23
Water Flow (gpm/lpm)	1.5/5.7	2.25/8.6	3/11.4	4.5/17.1	6/22.8	9/34.1
Air Flow (cfm/m ³ h) ³	200/340	233/396	350/595	467/793	670/1139	1000/1700
External Static Pressure (inH ₂ O/Pa)	1.75/435.8	0.6/149.4	1.75/435.8	0.6/149.4	0.3/74.7	0.3/74.7
Height-Deck Mount (in/mm) ⁴	8/204	8/204	8/204	8/204	10/254	10/254
Height-Suspension Mount (in/mm) ⁴	8.2/209	8.2/209	8.2/209	8.2/209	10.1/257	10.1/257
Max. Width (in/mm) ⁴	19.6/498	19.6/498	31.5/801	31.5/801	43.8/1113	61.8/1570
Depth-Without Heat (in/mm) ⁴	19.7/501	19.7/501	17.9/455	17.9/455	20.5/521	20.5/521
Depth-With Heat (in/mm) ⁴	25.4/646	25.4/646	23.6/600	23.6/600	26.2/666	26.2/666
Drain Connection Size (in/mm)	0.5/13	0.5/13	0.5/13	0.5/13	0.5/13	0.5/13
Drain Connection Type	tube stubs	FPT	tube stubs	tube stubs	tube stubs	tube stubs
Chilled Water Connection Size (in/mm)	0.5/13	0.5/13	0.5/13	0.5/13	0.5/13	0.5/13
Chilled Water Connection Type	FPT	FPT	FPT	FPT	FPT	FPT
Quantity-Duct Connections	1	1	2	2	1	2
Min. Supply Duct Size (in/mm) ⁵	4/102	6/153	6/153	7/178	9/229	10/254
Min. Supply Air Grille Size (sq in/sq cm)	35/226	49/317	35/226	49/317	147/949	168/1084
Min. Return Air Grille Size (sq in/sq cm)	70/452	98/633	130/839	200/1291	240/1549	360/2323
Pan Style	sloped	sloped	sloped	sloped	sloped	sloped

1. 'DC' indicates optional brushless "WhisperCool" (DC) blowers. Add '-FC' at end of model name for optional flow control; the default valve position is to the left of the coil (as one faces it), so add 'R' to the model for the valve on the right side; add '#kW' for amount of optional electric heat in kilowatts.

2. 1.5 kW is recommended for the ATL24 because it has one blower. 2 kW is the maximum.

3. Air flow data is for units without electric heat. Electric heat reduces air flow by an amount to be determined.

SPECIFICATIONS FOR ATV - HV AIR HANLERS

Model ¹	ATV6HV-LP		ATV9HV-LP		ATV12HV-LP		ATV18HV-LP		ATV24HV-LP	
Nominal Capacity - Cool (BTU/h)	6000		9000		12000		18000		24000	
Voltage @ 50/60Hz 1-Ph (V)	115	230	115	230	115	230	230	115	230	115
Full Load Amps (FLA) Cool (A)	1.6	0.9	1.1	0.7	1.5	0.7	1.15	2.3	1.64	2.3
Full Load Amps (FLA) Blower (A)	1.6	0.9	1.1	0.7	1.5	0.7	1.15	2.3	1.64	2.3
Optional Electric Heat (kW)	1		1.5		1.5		3		3	
Heater Amps (A)	8.7	4.3	13	6.5	13	6.5	13	26.1	13	26.1
Max. Circuit Breaker (A)	5		5		5		5		5	
Min. Circuit Ampacity (A)	2		2	1	2	1	2	3	3	
Water Flow (gpm/lpm)	1.5/5.7		2.25/8.6		3/11.4		4.5/17.1		6/22.8	
Air Flow (cfm/m ³ h)	245/417		280/476		370/629		485/825		709/1205	
External Static Pressure (inH ₂ O/Pa)	0.3/74.7		0.3/74.7		0.3/74.7		0.3/74.7		0.3/74.7	
Max. Height (in/mm) ²³	23/585		24.2/615		24.1/613		28.1/714		31.46/800	
Width-Drain Pan (in/mm) ²	19.4/493		19.4/493		19.2/488		20.3/516		22.8/580	
Depth-Drain Pan (in/mm) ²	4.4/112		4.4/112		4.2/107		6.3/160		7.93/202	
Max. Depth (in/mm) ²	7.1/181		7.7/196		7.9/201		9.1/232		10.86/276	
Drain Connection Size (in/mm)	0.5/13		0.5/13		0.5/13		0.5/13		0.5/13	
Drain Connection Type	FPT		FPT		FPT		FPT		FPT	
Chilled Water Connection Size (in/mm)	0.5/13		0.5/13		0.5/13		0.5/13		0.5/13	
Chilled Water Connection Type	FPT		FPT		FPT		FPT		FPT	
Min. Supply Duct Size (in/mm)	5/127		6/153		6/153		7/178		8/204	
Min. Supply Air Grille Size (sq in/sq cm)	35/226		49/317		70/452		100/646		140/904	
Min. Return Air Grille Size (sq in/sq cm)	70/452		98/633		130/839		200/1291		240/1549	

1. 'DC' indicates WhisperCool DC blower. 'LP' indicates low-profile configuration; replace with 'SQ' for square configuration.

2. All dimensions ± 0.30 in/8 mm.

3. Heights listed are for 'LP' configurations.

SPECIFICATIONS FOR ATV - DC AIR HANLERS

Model ¹	ATV6DC-LP	ATV9DC-LP	ATV12DC-LP	ATV18DC-LP	ATV24DC-LP	ATV36DC-LP
Nominal Capacity - Cool (BTU/h)	6000	9000	12000	18000	24000	36000
Voltage @ 50/60Hz 1-Ph (V)	230	230	230	230	230	230
Full Load Amps (FLA) Cool (A) ²	1.4	1.4	3.2	3.9	3.9	3.9
Full Load Amps (FLA) Blower (A)	1.4	1.4	3.2	3.9	3.9	3.9
Optional Electric Heat (kW)	1	1.5	1.5	3	3	3
Heater Amps (A)	4.3	6.5	6.5	13	13	13
Max. Circuit Breaker (A)	10	5	5	5	15	5
Min. Circuit Ampacity (A)	7	2	4	3	13	5
Water Flow (gpm/lpm)	1.5/5.7	2.25/8.6	3/11.4	4.5/17.1	6/22.8	9/34.1
Air Flow (cfm/m3h)	290/493	290/493	421/716	548/932	670/1139	670/1139
External Static Pressure (inH ₂ O/Pa)	0.3/74.7	0.3/74.7	2.1/522.9	1.4/348.6	0.3/74.7	0.3/74.7
Min. Height (in/mm) ³	20.2/514	20.2/514	20.6/524	25.4/646	27.7/704	31.9/811
Max. Height (in/mm) ³	22.9/582	22.9/582	24.1/613	27.9/709	29.9/760	34.7/882
Max. Width (in/mm) ³	20.3/516	20.3/516	20.3/516	21.1/536	23.7/602	29.4/747
Min. Depth (in/mm) ³	4.1/105	4.1/105	4.2/107	6/153	7.7/196	7.6/194
Max. Depth (in/mm) ³	7.5/191	7.5/191	9.4/239	10.1/257	10.8/275	11.4/290
Drain Connection Size (in/mm)	0.5/13	0.5/13	0.5/13	0.5/13	0.5/13	0.5/13
Drain Connection Type	FPT	FPT	FPT	FPT	FPT	FPT
Chilled Water Connection Size (in/mm)	0.5/13	0.5/13	0.5/13	0.5/13	0.5/13	1/26
Chilled Water Connection Type	FPT	FPT	FPT	FPT	FPT	FPT
Min. Supply Duct Size (in/mm)	5/127	6/153	6/153	7/178	8/204	8/20
Min. Supply Air Grille Size (sq in/sq cm)	35/226	49/317	70/452	100/646	140/904	196/1265
Min. Return Air Grille Size (sq in/sq cm)	70/452	98/633	130/839	200/1291	240/1549	360/2323

1. 'DC' indicates optional brushless "WhisperCool" (DC) blowers. 'Z' indicates 230V. Add '-FC' for optional flow control; add '-L' for valve on the left relative to the blower side of the coil (right side is the default); add '#kW' for amount of optional electric heat in kilowatts.

2. Blower amps will be reduced at lower speed/cfm or higher static pressure. Amps listed are at free air.

3. All dimensions ± 0.30 in/8 mm.

CLIMATE CONTROLS & ELECTRONICS

LEGACY ITEM #	NEW ITEM #	NEW DESCRIPTION	LIST PRICE (USD)
Direct Expansion & Chilled Water Controls			
Cap Touch & Smart Touch DX Control			
222000255	9600025804	Display Cap Touch Idea	\$300.00
222000256	9600025911	Display Cap Touch Eikon	\$330.00
222200404	9600003187	Display Smart Touch Eikon	\$395.00
Marine Air Elite Displays			
222000242	9600003147	Display Only Elite II Gray 2 DX & CW	\$315.00
222000244	9600003152	Display Only Elite II Eikon Gray DX & CW	\$345.00
Cruisair Q Logic Displays			
222000239	9600000944	Display Q3 Marine DX Black 2	\$270.00
222000254	9600017476	Display Q3 Marine TW Black 2	\$260.00
722200202	9610001105	Display QHT Marine DX & TW Gray	\$310.00
722200203	9610002763	Display QHT Eikon DX & TW Gray	\$340.00
Passport I/O Display			
222000245	9600005997	Display Only Dometic I/O Black with bezel	\$305.00
222000246	9600006027	Display w/Bezel Compact Passport I/O White	\$305.00
Cruisair SMX Displays			
SMXIR-REM	9108532973	Control Remote SMXIR DX	\$115.00
222000247	9600006026	Display SMXIR 3/4 Door DX Black 2	\$375.00
SMXIIAB	9108532972	Display SMXII DX Black	\$355.00
SMXII BB	SMXII BB	Display SMXII TW Black	\$355.00
5103400	5103400	Full Door SMXir Display- Black	\$130.00
5103400W	5103400W	Full Door SMXir Display- White	\$130.00
5103300	5103300	3/4 Door SMXir Display- Black	\$32.00
5103200	5103200	Mounting plate SMXir, Black	\$34.00
Mechanical Controls			
222000600	9600009283	MCPS-3 Knob 115V	\$835.00
222000601	9600009285	MCPS-3 Knob 230V	\$835.00
222000650	9600009463	MCPR-3 Knob 115V	\$865.00
222000651	9600009465	MCPR-3 Knob 230V	\$865.00
222000625	9600009451	MCP-2 Knob 115V Fan	\$600.00
222000626	9600009452	MCP-2 Knob 230V Fan	\$600.00
222000627	9600009453	MCPS-2 Knob 115/230 Temp Control	\$620.00
222000615	9600009449	MCP-1 Knob 115V Fan	\$370.00
222000616	9600009448	MCP-1 Knob 230V Fan	\$370.00
222000617	9600021671	MCP-1 Knob 100-240V Defroster/Fan	\$555.00
Chilled Water Controls			
Programmed Logic Control			
263150141	263150141	PLDPro Small PLC Display DOMETIC	\$400.00
263150144	9600003075	PGD1 Bk Remote PLC Display DOMETIC	\$735.00
263150145	9600003190	PGD1 Wht Remote PLC Display DOMETIC	\$735.00
290337995	4471000203	Splitter multiple displays	\$100.00
Smart Touch Chilled Water Control			
263150137	9108849425	PGD Touch Screen 7" Flush Chiller	\$2,630.00
263150138	9108852332	PGD Touch Screen 7" Flush VARC	\$2,630.00
263150140	9108853078	PGD Touch Screen 7" Flush STIIC	\$2,630.00

LEGACY ITEM #	NEW ITEM #	NEW DESCRIPTION	LIST PRICE (USD)
Cruisair TWLC Display			
335504	9108557538	Display TWLC LCD	\$1,350.00
Other Controls			
Eskimo Ice Display			
252000158	9610001136	Display Only Dometic Digital Eskimo Ice	\$250.00
Upgrade Kits			
Digital Upgrade Retrofit Kits			
SELF-CONTAINED 3-KNOB UPGRADE TO ELITE OR PASSPORT I/O			
222108002	4471000643	Retro Plate 3 Knob to Passport I/O, Black (included in kit)	\$60.00
223100267	223100267	Retrofit Kit, Self-Contained Elite Gray Vertical	\$1,005.00
Note: Includes I/O control inside elec. box, harness, display, retrofit plate, black poly bezel (with Elite only), 15' display cable, 7' air sensor, manual, and quick reference card.			
CENTRAL SYSTEM 3-KNOB UPGRADE TO ELITE OR PASSPORT I/O			
223100212	223100212	Retrofit Kit, Central System Passport I/O, Black	\$965.00
Note: Includes I/O control inside elec. box, harness, display, retrofit plate, black poly bezel (with Elite only), 30' display cable, 7' air sensor, manual, and quick reference card.			
ECU MAXX Display Retrofit Plate to ELITE or PASSPORT I/O			
222108003	4471000650	Retrofit Plate, ECU MAXX to Elite Black Horizontal	\$125.00
222108005	4471000652	Retrofit Plate, ECU MAXX to Passport I/O Black	\$135.00
223100420	223100420	Retrofit Kit ECU MAXX to Passport Elite Black Bezel	\$910.00
223100422	223100422	Retrofit Kit ECU MAXX to Passport I/O Black Bezel	\$925.00
223100423	223100423	Retrofit Kit ECU MAXX to Passport I/O White Bezel	\$895.00
Note: Includes display retrofit plate only.			
ECU upgrade to ELITE or PASSPORT I/O			
223100222	223100222	Retrofit Kit, ECU to Passport I/O - Black	\$915.00
223100223	223100223	Retrofit Kit, ECU to Passport I/O - White	\$895.00
Note: Includes I/O control, PP I/O module retrofit plate, display, 15' display cable, 7' air sensor, manual, and quick reference card. (Elite includes display retrofit plate and black poly bezel.)			
PASSPORT upgrade to ELITE or PASSPORT I/O			
223100232	223100232	Retrofit Kit, Passport to Passport I/O - Black	\$820.00
223100233	223100233	Retrofit Kit, Passport to Passport I/O - White	\$820.00
Note: Includes I/O control, PP I/O module retrofit plate, display, manual, & quick reference card. (Elite includes display retrofit plate and black poly bezel.)			
PASSPORT II upgrade to ELITE or PASSPORT I/O			
223100224	223100224	Retrofit Kit, Passport II to Elite - Gray	\$850.00
223100226	223100226	Retrofit Kit, Passport II to Passport I/O Black	\$820.00
223100227	223100227	Retrofit Kit, Passport II to Passport I/O White	\$820.00
Note: Includes I/O control, display, manual, & quick reference card. (Elite includes display retrofit plate and black poly bezel.)			
ELITE Retrofit Cover Plate			
293600423	293600423	Retrofit Plate, MCP 3-Knob to Elite Vertical, White	\$140.00
222108004	4471000651	Retrofit Plate, MCP 3-Knob to Elite Horizontal, Black	\$135.00
298002006	9610000045	Retrofit Plate, MCP 3-Knob to Elite Vertical, Black	\$145.00
222108006	4471000654	Retrofit Plate, Passport II to Elite Horizontal or Vertical, Black	\$135.00
Cruisair Retrofit Kits			
298001896	298001896	Retro Q-Logic > U-Control DX Board	\$485.00
705600010	705600010	Retro 3 Knob > SMXII/Q-Logic > U-Board	\$615.00
705600011	705600011	Retro SMXII P/L ONLINE > NET-U	\$750.00

CLIMATE CONTROLS & ELECTRONICS

LEGACY ITEM #	NEW ITEM #	NEW DESCRIPTION	LIST PRICE (USD)
Cables, Sensors and Bezels			
Marine Air 8-Pin Display Cables			
DISPLAY CABLE OPTIONS - DCU / CMCD / CSD			
331925	9108712874	10' Display Cable, 8-pin	\$32.00
222103008	9610001102	15' Display Cable, 8-pin	\$49.00
222103009	9610001103	20' Display Cable, 8-pin	\$70.00
222103011	9610001104	30' Display Cable, 8-pin	\$75.00
222103060	9108549659	40' Display Cable, 8-pin	\$155.00
222103100	9108549661	50' Display Cable, 8-pin	\$165.00
222103115	9108549662	60' Display Cable, 8-pin	\$175.00
Water Sensors			
222130324	4471003262	2' Water Sensor	\$55.00
222130307	4471003259	7' Water Sensor	\$40.00
222130310	4471003256	10' Water Sensor	\$40.00
222130315	4471003260	15' Water Sensor	\$48.00
222130320	4471003261	20' Water Sensor	\$55.00
222130330	4471003257	30' Water Sensor	\$130.00
333856	333856	40' Water Sensor	\$145.00
222130308	4471005721	50' Water Sensor	\$165.00
Temperature/Humidity Sensors			
222130455	4471004627	TSEP5, Temperature Sensor, RJ11, 5 Feet	\$55.00
222130402	9610001099	TSEP10 Temperature Sensor, RJ11, 10 Feet	\$60.00
222130403	9610001100	TSEP15 Temperature Sensor, RJ11, 15 Feet	\$75.00
TSEP20	TSEP20	TSEP20 Temperature Sensor, RJ11, 20 Feet	\$90.00
222130404	9610001101	TSEP30 Temperature Sensor, RJ11, 30 Feet	\$105.00
TSEP40	9108533063	Temperature Sensor, RJ11, 40 Feet	\$115.00
TSEP60	9108533065	Temperature Sensor, RJ11, 60 Feet	\$135.00
TSEP80	9108533066	Temperature Sensor, RJ11, 80 Feet	\$145.00
722400008	722400008	Temperature Sensor/Relative Humidity Q-Logic 15ft	\$265.00
722400013	722400013	Temperature Sensor/Relative Humidity Q-Logic 35ft	\$340.00
297000049	297000049	Temperature Sensor Well, 1" NPT Plug, Copper	\$230.00
222102408	9600025665	Water Temperature Sensor, Q-Logic 5 Feet	\$75.00
222102409	9600025666	Water Temperature Sensor, Q-Logic 10 Feet	\$105.00
222102410	9600025667	Water Temperature Sensor, Q-Logic 30 Feet	\$145.00
Control and Network Cables			
CXP CABLES			
CXP10	9108516157	Keypad to Box Cable, RJ12, 10 Feet	\$36.00
222130401	9610001098	CXP15, Keypad to Box Cable, RJ12, 15 Feet	\$44.00
CXP20	9108516160	Keypad to Box Cable, RJ12, 20 Feet	\$55.00
CXP30	9108516161	Keypad to Box Cable, RJ12, 30 Feet	\$80.00
CXP40	9108516162	Keypad to Box Cable, RJ12, 40 Feet	\$110.00
CXP60	9108516164	Keypad to Box Cable, RJ12, 60 Feet	\$140.00
CXP80	9108516165	Keypad to Box Cable, RJ12, 80 Feet	\$160.00

LEGACY ITEM #	NEW ITEM #	NEW DESCRIPTION	LIST PRICE (USD)
Alternate Air Sensor Option - DTU / ECD / DCU / CMCD / CSD			
290335887	4471000154	Plastic clip to hold 7' alt air sensors above	\$16.00
222102307	9108549630	7' Cable with Alternate Air Sensor attached & clip, 6-pin	\$65.00
222102308	9108549631	15' Cable with Alternate Air Sensor attached & clip, 6-pin	\$110.00
265100190	9108552376	30' Cable with Alternate Air Sensor attached & clip, 6-pin	\$145.00
222102312	9108549635	40' Cable with Alternate Air Sensor attached & clip, 6-pin	\$165.00
222102311	9108549634	75' Cable with Alternate Air Sensor attached & clip, 6-pin	\$330.00
IMPORTANT: REMOTE AIR SENSOR CARD MUST BE PURCHASED WITH ALL AIR SENSOR CABLES LISTED BELOW.			
1. Use when a return air temperature sensing location other than in display is needed.			
2. The air sensor is usually mounted in the return air stream. Clips are included as shown below.			
3. Do not mount on the drain pan, as the cold condensate water can lead to false temperature readings.			
222108009	222108009	Remote Air Sensor Card, 6-pin	\$140.00
222102310	9108549633	10' Alternate Air Sensor Cable Air Sensor Card, 6-pin	\$110.00
222102320	9108549637	20' Alternate Air Sensor Cable Air Sensor Card, 6-pin	\$130.00
222102330	9108549639	30' Alternate Air Sensor Cable Air Sensor Card, 6-pin	\$140.00
222102340	9108549641	40' Alternate Air Sensor Cable Air Sensor Card, 6-pin	\$150.00
222102365	9108549645	65' Alternate Air Sensor Cable Air Sensor Card, 6-pin	\$190.00
Adapters, etc.			
290000115	290000115	Adapter Cable RJ-12 to TS	\$39.00
290000088	290000088	Modular Coupling, TSEP, CXP, CNP	\$24.00
763100043	763100043	A-913, Adapter, RJ12 Socket (CXP) to 4-Pin Male Plug (SMXiiAB, A-281C, Old Net)	\$126.00
763100044	763100044	A-914, Adapter, RJ11 Socket (TSEP) to 3-Pin Male Plug (A-281C, Old Net)	\$126.00
222103190	9108891797	Adapter Sensor U-Control WTR/OAS	\$31.00
Bezels			
337173	9108841754	Bezel Bright Varnished Metal Eikon Matte Anthracite	\$135.00
222000257	9610002688	Bezel Poly Black Elite & Q Control	\$27.00
335442	9108557530	Bezel Poly Idea White Elite & Q Control	\$27.00
335443	9108557531	Bezel Poly Graphite Gray Elite & Q Control	\$27.00
335512	9108557540	Bezel Poly Classica Graphite gray	\$27.00
335444	9108557532	Bezel Metal Black Chrome	\$100.00
4220012	9108559311	Bezel Metal Polished Chrome Rondo 3M	\$105.00
335448	9108557536	Bezel Metal Ivory	\$95.00

PUMPS & ASSEMBLIES

LEGACY ITEM #	NEW ITEM #	NEW DESCRIPTION	IMPELLER #	LIST PRICE (USD)
---------------	------------	-----------------	------------	------------------

Submersible Pumps - PML

225500004	9108549746	PUMP ASY PML250 115/50-60/1-	51701	\$570.00
225500014	9108549752	PUMP ASY PML250C 230/50-60/1-	51701	\$590.00
225500005	9108549747	PUMP ASY PML500 115/50-60/1	330118	\$710.00
225500016	9108549754	PUMP ASY PML500C 50-60HZ/1	330118	\$755.00
225500276	9108690301	PUMP PML1000 SUBMERSIBLE 115V	334080	\$1,615.00
225500288	9108690330	PUMP PML1000C SUBMERSIBLE 230V	334080	\$1,655.00

Self Priming Pumps

225500346	9108919116	PUMP DP-PT 115V 50/60HZ 4' CORD		\$1,660.00
225500348	9108919426	PUMP DP-PT 230V 50/60HZ 4' CORD		\$1,705.00

Circulated Water Pump Package

With diaphragm-style expansion tanks

260110516	9108551054	Pump Pkg PMA1000C, tank, 230/50-60/1		\$3,105.00
-----------	------------	--------------------------------------	--	------------

Note: Includes pump, drain pan, fill assembly w/press, regulator, expansion tank, gauge, and hosebarbs.

Pump Accessories

51701	51701	PML250 Impeller		\$105.00
331073	331073	Plastic Mount Base PM/PMP/PML250 & PML500		\$55.00
334005	334005	PML250/P400 Wet End Assy		\$305.00
330123	330123	PML500 Wet End Assy (Pump Head, Imp., Gaskets & Seal)		\$320.00
331692	331692	PMA500 Wet End Assy (Pump Head, Imp., Gaskets & Seal)		\$240.00
725115006	725115006	A-508P, Pump Head Assy. PM/PMP/PML500		\$380.00
725115001	725115001	Mount Kit PMA500 & PMA1000		\$105.00
334058	334058	P510 Little Giant Wet End Assy		\$400.00
334007	334007	PMA1000 Wet End Assembly (Pump Head, Impeller, Gaskets, and Seal)		\$320.00
225600048	4471004557	KIT PUMP P030, P045*		\$95.00
225600049	4471004558	KIT PUMP P062, P075, P100*		\$95.00
225600050	4471004559	KIT PUMP P137, P150, P200*		\$75.00

*Note - these pump kits are for the new magdry pumps and recommended for new installs.

LEGACY ITEM #	NEW ITEM #	DESCRIPTION	LIST PRICE (USD)
Magnetic Drive Pumps			
P030			
225480088	9610002000	PUMP P030M-1171-250-1/4T	\$1,680.00
225480063	9610001803	PUMP P030M-2371-250-1/4T	\$1,680.00
225480064	9610001976	PUMP P030M-1171-300-1/2T	\$1,680.00
225480065	9610001977	PUMP P030M-2371-300-1/2T	\$1,680.00
225480068	9610001980	PUMP P030M-2373D-300-1/2T	\$2,145.00
P045			
225480066	9610001978	PUMP P045M-1171-362-1/2T	\$1,785.00
225480067	9610001979	PUMP P045M-2371-362-1/2T	\$1,785.00
P062			
225480069	9610001981	PUMP P062M-1171-350-1/2T	\$2,325.00
225480070	9610001982	PUMP P062M-2371-350-1/2T	\$2,325.00
225480071	9610001983	PUMP P062M-2373D-350-1/2T	\$2,630.00
P075			
225480072	9610001984	PUMP P075M-1171-338-1/2T	\$2,440.00
225480073	9610001985	PUMP P075M-2371-338-1/2T	\$2,440.00
225480074	9610001986	PUMP P075M-2373D-338-1/2T	\$2,615.00
P100			
225480075	9610001987	PUMP P100M-1171D-375-1T	\$2,985.00
225480076	9610001988	PUMP P100M-2373D-375-1T	\$2,940.00
225480077	9610001989	PUMP P100M-1171D-400-1 1/2T	\$3,085.00
225480078	9610001990	PUMP P100M-2373D-400-1 1/2T	\$3,230.00
P137			
225480079	9610001991	PUMP P137M-1171D-438-1 1/2T	\$4,020.00
225480080	9610001992	PUMP P137M-2373D-438-1 1/2T	\$4,305.00
225480081	9610001993	PUMP P137M-1171D-463-2T	\$5,095.00
225480082	9610001994	PUMP P137M-2373D-463-2T	\$5,205.00
225480083	9610001995	PUMP P137M-2351-488-3T	\$5,545.00
225480084	9610001996	PUMP P137M-2373D-488-3T	\$5,665.00
P150			
225480085	9610001997	PUMP P150M-2373D-525-5T	\$6,985.00
225480086	9610001998	PUMP P150M-2373D-575-5T	\$7,100.00
P200			
225480087	9610001999	PUMP P200M-2373D-600-7 1/2T	\$10,645.00
Pump Packages			
260115652	9610002023	PMP PKG P062M-2371C-350-1/2T HD	\$5,250.00
260115650	9610002021	PMP PKG P062M-1171-350-1/2T	\$5,195.00
260115651	9610002022	PMP PKG P062M-2371-350-1/2T	\$5,195.00
260115654	9610002025	PMP PKG P045M-2371-362-1/2T	\$4,425.00
260115653	9610002024	PMP PKG P030M-2371-300-1/2T	\$4,315.00
260115655	9610002026	PMP PKG P100M-1171D-375-1T	\$5,535.00
260115657	9610002028	PMP PKG P137M-2371C-438-1 1/2T HD	\$5,820.00
260115656	9610002027	PMP PKG P137M-1171D-438-1 1/2T	\$6,015.00
Wear Kits			
225503000	4471004032	Pump Wear Kit, P030	\$380.00
225503001	4471004034	Pump Wear Kit, P045, P048, P075, P100	\$385.00
225503002	4471004035	Pump Wear Kit, P137, P150	\$700.00
225503003	4471004036	Pump Wear Kit, P200	\$855.00

MAGNETIC DRIVE PUMPS

LEGACY ITEM #	NEW ITEM #	DESCRIPTION	LIST PRICE (USD)
Wet End			
225503010	4471004037	Pump Wet End, P030 - 2.50"	\$770.00
225503011	4471004038	Pump Wet End, P030 - 3.00"	\$770.00
225503012	4471004039	Pump Wet End, P045 - 3.62"	\$1,350.00
225503013	4471004040	Pump Wet End, P048 - 3.50"	\$1,185.00
225503014	4471004041	Pump Wet End, P075 - 3.38"	\$1,460.00
225503015	4471004043	Pump Wet End, P100 - 3.75"	\$1,770.00
225503016	4471004044	Pump Wet End, P100 - 4.00"	\$1,885.00
225503017	4471004045	Pump Wet End, P137 - 4.38"	\$3,335.00
225503018	4471004046	Pump Wet End, P137 - 4.63"	\$3,335.00
225503019	4471004047	Pump Wet End, P137 - 4.88"	\$3,335.00
225503020	4471004048	Pump Wet End, P150 - 5.25"	\$3,765.00
225503021	4471004049	Pump Wet End, P150 - 5.75"	\$3,765.00
225503022	4471004050	Pump Wet End, P200 - 6.00"	\$5,325.00

LEGACY ITEM #	NEW ITEM #	NEW DESCRIPTION	LIST PRICE (USD)
Seawater Strainers			
225600021	9108549863	Seawater Strainer, 1/2" FPT with Bracket	\$130.00
225600029	9108750475	Seawater Strainer, 3/4" FPT, Plastic Housing	\$130.00
298001188	298001188	Mounting Bracket 3/4" Strainer above	\$34.00
1011100	1011100	ST3/4N, Seawater Strainer, 3/4" FPT, Groco	\$430.00
1011300	1011300	ST1-1/4N, Seawater Strainer, 1-1/4" FPT, Groco	\$650.00
Through-Hull Fittings			
1051800	1051800	Flush Overboard Through-Hull, Bronze, 3/4" MPT	\$105.00
1054100	1054100	Fitting Thru-Hull Plastic 1/2" MPT X 5/8" Hose	\$50.00
Hose Barbs/Adapters			
338454	4471000373	Bushing, PVC, 1/2" FPT x 3/4" MPT	\$19.00
290335080	290335080	Adapter PVC 1/2" MPT X 5/8" Hose	\$27.00
290000156	4471000024	Adapter PVC 1/2" FPT X 5/8" Hose	\$17.00
290338130	4471000023	Adapter PVC 90° Elbow 1/2" FPT X 5/8" Hose	\$28.00
290335380	290335380	Adapter PVC 90° Elbow 1/2" MPT X 5/8" Hose	\$21.00
290335370	290335370	Adapter PVC 3/4" FPT X 3/4" Hose	\$32.00
290335230	290335230	Adapter PVC 3/4" MPT X 3/4" Hose	\$20.00
290335350	290335350	Adapter PVC 3/4" MPT X 1" Hose	\$30.00
290331298	290331298	Adapter PVC 90° Elbow 3/4" MPT X 3/4" Hose	\$22.00
1056700	1056700	Adapter PVC 90° Elbow 3/4" FPT X 1" Hose	\$20.00
290335340	4471000371	Adapter PVC 1" MPT X 3/4" Hose	\$22.00
290335200	4471000378	Adapter PVC 1" MPT X 1" Hose	\$22.00
290335085	4471000359	Adapter PVC 1-1/4" MPT X 1-1/4" Hose	\$22.00
1056800	1056800	Adapter PVC 1-1/4" FPT X 1-1/4" Hose	\$30.00
Pump Manifolds - PVC Construction			
220300007	9108549472	2 Unit Spud Manifold-"U" Config.(1/2"FPT x 1/2"HB x 1/2"HB)	\$70.00
220300008	9108549473	2 Unit Spud Manifold-"T" Config. (1/2"FPT x 1/2"HB x 1/2"HB)	\$65.00
220300009	9108549474	2 Unit Spud Manifold-"F" Config. (1/2"FPT x 1/2"HB x 1/2"HB)	\$70.00
220300003	9108549468	3 Unit Spud Manifold (3/4"HB w/ (3) 1/2"HB outlets)	\$180.00
220300004	9108549469	4 Unit Spud Manifold (1"HB w/ (4) 1/2" HB outlets)	\$195.00
220300005	9108549470	5 Unit Spud Manifold (1"HB w/ (5) 1/2" HB outlets)	\$240.00
220300006	9108549471	6 Unit Spud Manifold (1"HB w/ (6) 1/2" HB outlets)	\$260.00
Seawater Hose/Kits			
226000049	9108549873	Hose Seawater 5/8" x 25' roll White	\$260.00
225600010	9108549861	3/4" Seawater Kit (thru hull, strainer, speed scoop, ball valve)	\$620.00
225600015	9108549862	1" Seawater Kit (thru hull, strainer, speed scoop, ball valve)	\$1,295.00
Impellers			
340634	340634	P060S Impeller 3.5"	\$535.00
333992	333992	P100 Impeller, 2 1/2" Imp	\$285.00
330345	330345	P110 Impeller, 2 3/4" Imp	\$340.00
341232	4471003758	P113 Impeller 3.5"	\$430.00
341233	4471003760	P113 Impeller 4.0"	\$430.00
341234	4471003761	P113 Impeller 4.5"	\$430.00
341235	4471003762	P113 Impeller 4.75"	\$430.00
333997	333997	P120 Impeller, 3" Imp	\$315.00
333995	333995	P700 Impeller, 3 1/2" Imp, 1ph	\$285.00
330069	330069	P700 Impeller, 3 1/2" Imp, 3ph	\$390.00
330349	330349	P710 Impeller, 3 1/2" Imp, 1ph/3ph	\$400.00
330353	330353	P711 Impeller, 4" Imp, 60hz	\$400.00

PUMP ACCESSORIES

LEGACY ITEM #	NEW ITEM #	NEW DESCRIPTION	LIST PRICE (USD)
Impellers (cont.)			
335155	335155	P711 Impeller, 4 1/4" #78	\$395.00
1039102	1039102	P711 Impeller, 4 1/2" #78	\$395.00
332597	332597	P711 Impeller, 4 3/4" Imp, 3ph, 50hz	\$395.00
334747	334747	P715 SW/CW Impeller, 4.5" #17	\$1,370.00
1038099	1038099	PH3000B3X Impeller, 4"	\$530.00
Legacy Seal/Gasket Kits			
333990	333990	Seal Kit P035 #67-68 (P100-P700-PS1500BX- PS2200BX)	\$140.00
333169	333169	Seal Kit #16B-17 type 206 - #121 type TCX (P715)	\$305.00
330071	330071	Seal Kit #72-78 (P710-P711-PS1500B3X-PH3000B3X-P3600BX-PH4000B3X)	\$205.00
335216	335216	Seal Kit PS700 (Z) & PS715	\$105.00
332068	332068	Seal Kit #17 type 17 - #121 type 121 CW 1.5"	\$395.00
337428	337428	PUMP SEAL KIT	\$340.00
341325	4471004138	PUMP SEAL KIT P113 - 7/8	\$320.00
Water Fittings & Manifolds Bronze/Cupronickel			
220300153	9108689801	M11-2, 1/2" FPT Inlet, 2x 5/8" 90° Outlet	\$165.00
220300147	9108689745	M12-2, 3/4" FPT Inlet, 2x 5/8" Outlets	\$165.00
220300148	9108689748	M12-3, 3/4" FPT Inlet, 3x 5/8" Outlets	\$295.00
220300152	9108689800	M12-4, 3/4" FPT Inlet, 4x 5/8" Outlets	\$395.00
220300155	9108689830	M16-2, 1" FPT Inlet, 2x 5/8" Outlets	\$240.00
220300151	9108689754	M16-3, 1" FPT Inlet, 3x 5/8" Outlets	\$340.00
220300150	9108689753	M16-4, 1" FPT Inlet, 4x 5/8" Outlets	\$395.00
220300149	9108689750	M16-5, 1" FPT Inlet, 5x 5/8" Outlets	\$475.00
220300154	9108689828	M16-6, 1" FPT Inlet, 6x 5/8" Outlets	\$545.00
220300161	9108690300	M16-7, 1" FPT Inlet, 7x 5/8" Outlets	\$615.00
Pump Relays			
224110050	9108549708	2-6PRP, Two To Six Unit Solid State Relay, 115V/230V 1phase	\$435.00
724200019	9108689979	PR8X, Pump Relay, 115/230V, Up to 8 Triggers (not included)	\$435.00
TBD	TBD	Two To Six Unit Solid State Relay, 230V 3phase *	
* Note: When ordering 3 phase PRP please supply pump size, amp draw, horse power, and/or part number.			
224110091	9108549718	Replacement 2-6PRP Two To Six Unit Board only	\$355.00
Solid State Relays, Triggers & Parts			
4134100	4134100	Relay Solid State 40 AMP 48-280VAC	\$235.00
290000220	4471000246	Relay Solid State 75 AMP 48-280VAC	\$365.00
758000006	758000006	A-548, Replacement To-3 Triac	\$58.00
701800008	701800008	A-551, Stud Triac . Assy.	\$135.00
298001772	298001772	A-552, Relay P.C. Board PR3X, PR8X, PWX	\$40.00
TR115	TR115	Relay Trigger 115V- PR3X 8X & PWX	\$115.00
TR230	TR230	Relay Trigger 230V- PR3X 8X & PWX	\$115.00

LEGACY ITEM #	NEW ITEM #	NEW DESCRIPTION	LIST PRICE (USD)
---------------	------------	-----------------	------------------

Expansion Tanks

290000086	290000086	Exp Tank, 2 gal, up to 30-tons, 1/2" MPT	\$210.00
290000255	4471000347	Exp Tank, 4.4 gal, up to 60-tons, 1/2" MPT	\$295.00
1063560	1063560	Exp Tank, 7.6 gal, up to 100-tons, 1/2" MPT	\$615.00

Note: Select tank based on total air handler capacity.

Fill Components

263400101	9108552257	HWRV Fill Assembly, 1/2" FPT, Press. Reducer & Fill Valve	\$480.00
334758	334758	Press. Reducing Valve, 12psi, fast-fill, 1/2" FPT	\$285.00
290335225	290335225	Back Flow Preventer fill line, 1/2" FPT (Reduced Press Zone)	\$1,505.00
1070200	1070200	Back Flow Preventer 1/2" FPT (not permanent connection)	\$295.00
290000253	4471000344	Pressure Regulator/Relief Valve 1/2" FPT	\$535.00
1070030	1070030	Pressure Gauge, 0 - 30 PSI, 1/4" MPT	\$105.00
1070031	1070031	Pressure Gauge, 0 - 60 PSI, 1/4" MPT	\$105.00

Air/Dirt/Air-and-Dirt Separators

290334152	4471003344	1/2" Spirotop (install at high points in CW system)	\$295.00
334132	334132	1-1/4" inline Spirovent, 15gpm (60k BTU/hr)X	\$610.00
290334151	4471003345	1-1/2" inline Spirovent, 30gpm (120k BTU/hr)X	\$860.00
290000324	4471003346	2" inline Spirovent, 40gpm Brass	\$1,110.00

If interested in these items, please contact your Cruisair Sales/Applications Representative.

Loop Y-Strainers

1010012	1010012	"Y" Strainer, Bronze, 1 1/4" FPT	\$355.00
335345	335345	"Y" Strainer, Bronze, 1 1/2" FPT	\$560.00
335404	335404	"Y" Strainer, Bronze, 2" FPT	\$740.00
335263	335263	"Y" Strainer, Bronze, 2 1/2" FPT	\$1,180.00
335264	335264	"Y" Strainer, Bronze, 3" FPT	\$1,600.00

Balancing Flow Controls (see note)

264600006	9108690987	Balancing Flow Control, 1/2" FPT BFC12	\$650.00
264600011	9108693286	Balancing Flow Control, 3/4" FPT BFC18	\$650.00
264600015	9108730670	Balancing Flow Control, 1" FPT BFC36	\$835.00
264600014	9108698783	Balancing Flow Control, 1" FPT BFC42	\$835.00
264600013	9108730493	Balancing Flow Control, 1" FPT BFC48	\$835.00
264600020	9108731176	Balancing Flow Control, 1 1/4" FPT BFC66	\$895.00
264600019	9108692159	Balancing Flow Control, 1 1/4" FPT BFC72	\$895.00

Notes:

1. Subtract Chiller capacity (BTU/hr) from total Air Handler capacity to get BFC size (BTU load).
2. If an exact BFC size is not available, select the next smaller size.

ADD-ONS AND SPECIAL UNITS

LEGACY ITEM #	NEW ITEM #	NEW DESCRIPTION	LIST PRICE (USD)
Sound Covers (Turbo Units)			
8010106	8010106	Tall VT/ST/DTU/DTG 6-8K	\$300.00
8010110	8010110	Short, R-22/417A: STQ10/STQ10C/STQ12C; VTD10K/VTD10KZ/VTD12KZ50; 410A: ALL 10K/12K	\$305.00
8010112	8010112	Tall, R-22/417A: STQ12/STQ12C/STQ10CK; VTD12K/VTD12KZ/VTD10KZ50	\$305.00
8010114	8010114	Short, R-22/417A: STQ14/STQ16/STQ16CK; VTD14K/VTD16K/VTD16KZ50; 410A: ALL 16K	\$305.00
8010116	8010116	Tall, R-22/417A: STQ14C/STQ16C/STQ14CK; VTD14KZ/VTD16KZ/VTD14KZ50	\$305.00
336019	336019	Sound Cover VT/ST Hardware Pack	\$22.00

Smart Start™ Devices (Reduce Startup Surge)

298002120	9610002998	SMRTST IP65 1161 9A LRA 30A-45A MQC	\$695.00
298002121	9610002999	SMRTST IP65 1161 16A LRA 45A-70A MQC	\$695.00
298002122	9610003000	SMRTST IP65 2371 16A LRA 30A-85A MQC	\$695.00
298002123	9610003001	SMRTST IP65 2361 32A LRA 85A-175A MQC	\$695.00
298002267	9610004796	SMRTSTIII 2371 MQD 16A L30-85D	\$695.00
298002269	9610004798	SMRTSTIII 2371 MQD 32A L85-175	\$695.00

Auxiliary Duct Heaters (Heat Modules)

715230214	9108694721	HMDL1-5, 1KW, 5", 115V	\$1,055.00
715230125	9108689037	HMDL1.5-6, 1.5KW, 6", 115V	\$1,085.00
715230213	9108691729	HMDL1C-5, 1KW 5", 230V	\$1,055.00
715230126	9108690304	HMDL1.5C-6, 1.5kW, 6", 230V	\$1,085.00
715230212	9108689656	HMDL2-7, 2KW, 7", 115V	\$1,085.00
715230222	9108807963	HMDL2C-7, 2KW, 7", 230V	\$1,085.00
715230216	9108776719	HMDL3C-8, 3KW, 8", 230V	\$1,085.00
724600007	9108778912	Auxiliary Heat Relay, 75Amp, 230V	\$545.00

Pilot House Defroster

215212005	9108855394	PHD12HVZ-1.5KW Defroster, 230V,3" rings	\$4,000.00
-----------	------------	---	------------

Note: call for additional configurations

Aux. Heater Assemblies for AU Units

264400569	9108844858	CHL CHSR 1KW AU6Z-LH/RH-CVR	\$700.00
264400574	9108853256	CHL CHSR 1KW AU9-12Z-LH/RH CVR	\$710.00
264400575	9108853258	CHL CHSR 1KW AU18Z-LH/RH CVR	\$710.00
264400576	9108853263	CHL CHSR 1KW AU24Z-LH/RH CVR	\$710.00
264400565	9108832303	CHL CHSR 1.5KW AU9-12Z-LH/RH CVR	\$710.00
264400570	9108845105	CHL CHSR 1.5KW AU18Z-LH/RH CVR	\$710.00
264400572	9108850338	CHL CHSR 1.5KW AU24Z-LH/RH CVR	\$710.00
264400568	9108843553	CHL CHSR 2KW AU9-12Z-LH-CVR	\$800.00
264400564	9108832302	CHL CHSR 2X1.5KW AU18Z-LH/RH CVR	\$800.00
264400563	9108832239	CHL CHSR 2X1.5KW AU24Z-LH/RH CVR	\$800.00
264400554	9108552372	CHL CHSR 2X1.5KW AT36RH-CVR230	\$890.00

ITEM NUMBER	NEW ITEM #	INCHES (WXL)	DESCRIPTION	LIST PRICE (USD)
Black Mesh Filters Self-Contained Units				
235000560	235000560		FILTER, MESH PLSTC BLK 18"W 350' ROLL	\$715.00
235000508	235000508	11 x 12.5	FILTER, MESH BLK VC/SF/CMC12-16/1	\$33.00
Micro-Particle Anti-Allergenic Filters for Self-Contained Units				
235000600	9108705893	7.875 x 9	FILTER, MICRO VC-SF-CL-ZF5(/1)	\$60.00
235000601	9108705894	9.375 x 10	FILTER, MICRO VC-SF-CMC7(/1)	\$60.00
235000602	9108705895	8.125 x 8	FILTER, MICRO SXR7	\$60.00
235000604	9108705897	11.875 x 10	FILTER, MICRO VC-SF-CMC10 LC-ZF10	\$50.00
235000605	9108705898	10.875 x 12	FILTER, MICRO VC-SF-CL-ZF-CMC12/1	\$55.00
235000606	9108705899	11.875 x 12	FILTER, MICRO VC-SF12-16 CL-ZF-CM	\$70.00
235000607	9108705900	16.375 x 16	FILTER, MICRO VC-SF24(/1)	\$115.00
235000638	9108705902	8.875 x 10.25	FILTER, MICRO VT6-8K 10.25HX8.875	\$55.00
235000639	9108705903	10.875 x 11.50	FILTER, MICRO VT10-12K 11.5HX10.8	\$60.00
Replacement Filters for AU Air Handlers				
235100035	4471001339	8 x 10	FILTER, POLY AU6	\$65.00
235000918	4471001334	13.5 X 12	FILTER, POLY AU18	\$70.00
235000924	4471001337	16 x 14	FILTER, POLY AU24	\$75.00
Replacement Filters for AT Air Handlers				
235000625	235000625	8 x 8	FILTER, MICRO AT4	\$55.00
235000626	235000626	8 x 8.25	FILTER, MICRO AT6	\$55.00
235000627	235000627	10 x 10	FILTER, MICRO AT9	\$55.00
235000628	235000628	10 x 12	FILTER, MICRO AT12	\$60.00
235000629	235000629	13 x 13.5	FILTER, MICRO AT15-18	\$115.00
235000630	235000630	15.5 x 16	FILTER, MICRO AT24	\$135.00
235000631	235000631	18 x 18	FILTER, MICRO AT36	\$125.00
235000926	235000926	8.25 x 8	FILTER, POLY AT6	\$46.00
235000927	235000927	10 x 10	FILTER, POLY AT9	\$60.00
235100036	4471001340	12 x 10	FILTER, POLY AT12	\$70.00
235000925	235000925	13.5 x 13	FILTER, POLY AT15/18	\$70.00
235000929	235000929	16 x 15	FILTER, POLY AT24	\$95.00
235000930	235000930	18 x 18	FILTER, POLY AT30-36	\$105.00

GRILLES

LEGACY ITEM #	NEW ITEM #	DESCRIPTION	LIST PRICE (USD)
Round Plastic Grilles			
228710001	9108550033	3" Plastic Adapter (to connect 3" ducting to the 4SA)	\$22.00
2060301	9108548286	Reducer to connect 3" hose to a V4 RND	\$27.00
333438	9108557421	Grille Euro Round 2" Black	\$34.00
333441	9108557423	Grille Euro Round 2" White	\$34.00
333443	9108557425	Grille Euro Round 2" Offwhite	\$34.00
333437	9108557420	Grille Euro Round 3" Black	\$34.00
333442	9108557424	Grille Euro Round 3" Offwhite	\$34.00
217100008	9610001106	Grille Euro Round 3" White	\$34.00
2071002	9108548315	Grille Global Round 3" Black	\$34.00
2071003	9108548316	Grille Global Round 3" Offwhite	\$34.00
2071004	9108548317	Grille Global Round 3" White	\$34.00
217100006	9610000358	Grille Round 4" Beige	\$22.00
217100013	9610002795	Grille Round 4" Black No Damper	\$22.00
V4 RND BROWN	9108533412	Grille Round 4" V4 Brown Plastic	\$23.00
217100014	9610002796	Grille Round 4" White	\$22.00
217100012	9610002775	Grille Round 4" White No Damper	\$22.00
369947	9108557692	Grille Round 4" Off White	\$22.00
330571	9108555559	Grille Round 4" Off Wht No Dmpr	\$22.00
339670	9108557582	Grille Round 4" Black	\$22.00
339680	9108557583	Grille Round 4" Brown	\$22.00
339690	9108557584	Grille Round 4" Walnut No Dampr	\$22.00
717650003	9108561974	Grille Round 4" Beige With Damper	\$24.00
335078	9108557514	Grille Round 5" White No Damper	\$27.00
Plastic Discharge Grilles with Plenums			
217316115	9610001127	V5X5 PGA-4TB, Moveable Vanes, w/ 4" Ring on Back	\$105.00
217316025	9108549207	V8X4 PGA-4TB, Moveable Vanes, w/ 4" Ring on Back	\$165.00
217316031	9108549210	V8X4 PGA-5TB, Moveable Vanes, w/ 5" Ring on Back	\$175.00
217316009	9108549192	V10X4 PGA-5TB, Moveable Vanes, w/ 5" Ring on Back	\$180.00
217316021	9108549204	V10X5 PGA-5TB, Moveable Vanes, w/ 5" Ring on Back	\$180.00
217316119	9610001133	V12X4 PGA-5TB, Moveable Vanes, w/ 5" Ring on Back	\$175.00
217316111	9610001123	V10X8 PGA-6TB, Moveable Vanes, w/ 6" Ring on Back	\$190.00
217316032	9108549211	V10X8 PGA-7TB, Moveable Vanes, w/ 7" Ring on Back	\$190.00
Plastic Grilles with Mounting Frames			
217316057	9108690060	V4X10 PGA-R, Discharge, Moveable Vanes, w/Frame	\$155.00
V6X10 PGA-R	9108533465	V6X10 PGA-R, Discharge, Moveable Vanes, w/Frame	\$145.00
217316002	9108549186	V8X4 PGA-R, Discharge, Moveable Vanes, w/Frame	\$145.00
217316010	9108549193	V10X4 PGA-R, Discharge, Moveable Vanes, w/Frame	\$155.00
217316054	9108688974	V8X8 PGA-R, Discharge, Moveable Vanes, w/Frame	\$155.00
217316114	9610001126	V10X8 PG-RF, Return-Air, Fixed Vanes, w/Frame & Filter	\$180.00
217316112	9610001124	V10X10 PG-RF, Return-Air, Fixed Vanes, w/Frame & Filter, White	\$190.00
217316052	9108688426	V10X14 PG-RF, Return-Air, Fixed Vanes, w/Frame & Filter	\$195.00
217316020	9610001131	V12X12 PG-RF, Return-Air, Fixed Vanes, w/Frame & Filter	\$195.00
217316018	9108549201	V14X12 PG-RF, Return-Air, Fixed Vanes, w/Frame & Filter	\$200.00

ITEM NUMBER	NEW ITEM #	DESCRIPTION	SIZE	LIST PRICE (USD)
Aluminum Return Air Grilles No Filter				
V8X6 RA	9108533521	8" louvers - no filter	8X6TRA(AL)	\$100.00
217300290	9600006399	8" louvers - no filter	8X8TRA(AL)	\$100.00
217000199	9108548614	8" louvers - no filter	8X11TRA(AL)	\$105.00
217000228	9108548630	10" louvers - no filter	10X4TRA(AL)	\$100.00
V10X6 RA	9108533285	10" louvers - no filter	10X6TRA(AL)	\$105.00
217300303	9610001113	10" louvers - no filter	10X8TRA(AL)	\$105.00
V10X10 RA	9108533248	10" louvers - no filter	10X10TRA(AL)	\$105.00
V10X12 RA	9108533256	10" louvers - no filter	10X12TRA(AL)	\$105.00
217300012	9108549126	11" louvers - no filter	11X7TRA(AL)	\$105.00
217000202	9108548617	11" louvers - no filter	11X8TRA(AL)	\$105.00
217000226	9108548629	11" louvers - no filter	11X12TRA(AL)	\$120.00
217300298	9610001090	12" louvers - no filter	12X6TRA(AL)	\$105.00
335856	9108557555	12" louvers - no filter	12X12TRA(AL)	\$105.00
V12X12 RA	9108533316	12" louvers - no filter	12X12TRA(AL)	\$105.00
217000224	9108548627	14" louvers - no filter	14X7TRA(AL)	\$105.00
217000223	9108548626	14" louvers - no filter	14X10TRA(AL)	\$120.00
V14X10 RA	9108533343	14" louvers - no filter	14X10TRA(AL)	\$120.00
217000221	9108548624	14" louvers - no filter	14X12TRA(AL)	\$120.00
V14X14 RA	9108533349	14" louvers - no filter	14X14TRA(AL)	\$120.00
217300291	9600006403	16" louvers - no filter	16X6TRA(AL)	\$105.00
217000220	9108548623	16" louvers - no filter	16X9TRA(AL)	\$105.00
217000225	9108548628	20" louvers - no filter	20X5TRA(AL)	\$110.00
217000222	9108548625	22" louvers - no filter	22X7TRA(AL)	\$130.00
V22X14 RA	9108533391	22" louvers - no filter	22X14TRA(AL)	\$130.00
Aluminum Return Air Grilles With Filter				
V8X8 RAFB	9108533532	8" louvers - filterback	8X8TRAF(AL)	\$110.00
217000238	9108548640	8" louvers - filterback	8X11TRAF(AL)	\$115.00
V10X10 RAFB	9108533252	10" louvers - filterback	10X10TRAF(AL)	\$210.00
217000241	9108548643	11" louvers - filterback	11X7TRAF(AL)	\$210.00
217000232	9108548634	11" louvers - filterback	11X8TRAF(AL)	\$210.00
217000236	9108548638	11" louvers - filterback	11X12TRAF(AL)	\$210.00
217000240	9108548642	12" louvers - filterback	12X12TRAF(AL)	\$210.00
V12X12 RAFB	9108533321	12" louvers - filterback	12X12TRAF(AL)	\$210.00
217000234	9108548636	14" louvers - filterback	14X7TRAF(AL)	\$210.00
217000233	9108548635	14" louvers - filterback	14X10TRAF(AL)	\$210.00
217000230	9108548632	14" louvers - filterback	14X12TRAF(AL)	\$210.00
217300241	9108549166	14" louvers - filterback	14X14TRAF(AL)	\$210.00
217300038	9108549132	14" louvers - filterback	14X20TRAF(AL)	\$210.00
217000229	9108548631	16" louvers - filterback	16X9TRAF(AL)	\$210.00
217000235	9108548637	20" louvers - filterback	20X5TRAF(AL)	\$210.00
217000231	9108548633	22" louvers - filterback	22X7TRAF(AL)	\$210.00
217000237	9108548639	28" louvers - filterback	28X6TRAF(AL)	\$220.00

GRILLES

ITEM NUMBER	NEW ITEM #	DESCRIPTION	SIZE	LIST PRICE (USD)
Aluminum Double Deflection Supply Grilles with Front Blades Vertical				
V6X4 VH	9108533481	Aluminum Discharge grille	6X4 VH-H	\$100.00
V6X8 VH	9108533489	Aluminum Discharge grille	6X8 VH-H	\$100.00
V6X10 VH	9108533466	Aluminum Discharge grille	6X10 V-H	\$105.00
V6X12 VH	9108533471	Aluminum Discharge grille	6X12 V-H	\$105.00
V7X7 VH	9108533490	Aluminum Discharge grille	7X7 VH-H	\$100.00
V8X10 VH	9108533499	Aluminum Discharge grille	8X10 V-H	\$100.00
V8X8 VH	9108533533	Aluminum Discharge grille	8X8 VH-H	\$105.00
V10X4 VH	9108533264	Aluminum Discharge grille	10X4 V-H	\$100.00
V12X4 VH	9108533327	Aluminum Discharge grille	12X4 V-H	\$100.00
V14X5 VH	9108533352	Aluminum Discharge grille	14X5 V-H	\$100.00
V12X12 VH	9108533323	Aluminum Discharge grille	12X12V -H	\$105.00
V20X4 VH	9108533385	Aluminum Discharge grille	20X4 V-H	\$105.00
Aluminum Discharge Grilles with Shutoff Damper				
217300085	9108886480	Aluminum Discharge grille, with Damper	4X4 VML	\$90.00
V6X10 VML	9108533469	Aluminum Discharge grille, with Damper	6X10 VML	\$100.00
V8X4 VML	9108533517	Aluminum Discharge grille, with Damper	8X4 VML	\$100.00
V8X6 VML	9108533524	Aluminum Discharge grille, with Damper	8X6 VML	\$100.00
V10X4 VML	9108533267	Aluminum Discharge grille, with Damper	10X4 VML	\$105.00
V12X4 VML	9108533330	Aluminum Discharge grille, with Damper	12X4 VML	\$105.00
Aluminum Supply Air Grilles - Horizontal Louvers				
217000201	9108548616	Anodized Supply Air w/4" horizontal louvers	4X4TH(AL)	\$95.00
217000197	9108548612	Anodized Supply Air w/7" horizontal louvers	7X7TH(AL)	\$95.00
217000200	9108548615	Anodized Supply Air w/8" horizontal louvers	8X4TH(AL)	\$95.00
217000198	9108548613	Anodized Supply Air w/10" horizontal louvers	10X4TH(AL)	\$95.00
217000208	9108548620	Anodized Supply Air w/10" horizontal louvers	10X5TH(AL)	\$95.00
Aluminum Supply Air Grilles - Vertical Louvers				
217000218	9108548622	Anodized Supply Air w/4" vertical louvers	10X4TV(AL)	\$95.00
217300128	9108549147	Anodized Supply Air w/3" vertical louvers	12X3TV(AL)	\$95.00
217300129	9108549148	Anodized Supply Air w/4" vertical louvers	12X4TV(AL)	\$95.00
217300130	9108549149	Anodized Supply Air w/5" vertical louvers	12X5TV(AL)	\$95.00
217300131	9108549150	Anodized Supply Air w/6" vertical louvers	12X6TV(AL)	\$95.00
217300132	9108549151	Anodized Supply Air w/4" vertical louvers	14X4TV(AL)	\$95.00
217300133	9108549152	Anodized Supply Air w/5" vertical louvers	14X5TV(AL)	\$95.00
217300134	9108549153	Anodized Supply Air w/6" vertical louvers	14X6TV(AL)	\$95.00
217300135	9108549154	Anodized Supply Air w/7" vertical louvers	14X7TV(AL)	\$95.00
217300138	9108549156	Anodized Supply Air w/4" vertical louvers	16X4TV(AL)	\$95.00
217300140	9108549157	Anodized Supply Air w/3" vertical louvers	18X3TV(AL)	\$95.00
217300141	9108549158	Anodized Supply Air w/5" vertical louvers	20X5TV(AL)	\$95.00

ITEM NUMBER	NEW ITEM #	DESCRIPTION	SIZE	LIST PRICE (USD)
-------------	------------	-------------	------	------------------

Teak/Bronze Return Air Wood Grilles (with Filter)

217400143	9108549286	TK/BRZ	10X6RA(TB)	\$285.00
217400137	9108549284	TK/BRZ	10X10RA(TB)	\$285.00
217400323	9108549311	TK/BRZ	10X12RA(TB)	\$285.00
217400081	9108549274	TK/BRZ	11X8RA(TB)	\$290.00
217400183	9108549298	TK/BRZ	12X12RA(TB)	\$295.00
217400147	9108549287	TK/BRZ	12X14RA(TB)	\$320.00
217400111	9108549278	TK/BRZ	14X12RA(TB)	\$320.00
217400680	9108549345	TK/BRZ	14X14RA(TB)	\$320.00
217400206	9108549301	TK/BRZ	16X6RA(TB)	\$320.00
217100103	9108548870	TK/BRZ	16X8RA(TB)	\$320.00

Teak Supply Air Wood Grilles

217400000	9108549254	TK/BRZ	4X4VH(TB)	\$275.00
217400050	9108549268	TK/BRZ	7X7VH(TB)	\$280.00
217401130	9108549385	TK/BRZ	8X4VH(TB)	\$280.00
217400177	9108549296	TK/BRZ	8X8VH(TB)	\$280.00
217400005	9108549257	TK/BRZ	10X4VH(TB)	\$280.00
217400078	9108549272	TK/BRZ	10X5VH(TB)	\$280.00
217400007	9108549259	TK/BRZ	12X4VH(TB)	\$285.00
217400123	9108549282	TK/BRZ	12X6VH(TB)	\$310.00
217400013	9108549262	TK/BRZ	14X6VH(TB)	\$310.00

Teak Supply Air Wood Grilles with Shutoff Damper

217400085	9108549275	TK/BRZ	4X4VML(TB)	\$335.00
217400325	9108549312	TK/BRZ	4X8VML(TB)	\$390.00
217400043	9108549267	TK/BRZ	6X4VML(TB)	\$370.00
217400057	9108549270	TK/BRZ	8X4VML(TB)	\$370.00
217400125	9108549283	TK/BRZ	10X4VML(TB)	\$380.00
217400333	9108549317	TK/BRZ	10X6VML(TB)	\$390.00

DUCTING & PLENUMS

LEGACY ITEM #	NEW ITEM #	DESCRIPTION	LIST PRICE (USD)
Flexible Air Duct			
Flexible Duct, Insulated (not UV rated use with Breathe Easy)			
226600077	9108549909	Insulated Flex Duct, 3", 25 Ft. Length	\$270.00
226600078	9108549910	Insulated Flex Duct, 4", 25 Ft. Length	\$185.00
226600079	9108549911	Insulated Flex Duct, 5", 25 Ft. Length	\$120.00
226600080	9108549912	Insulated Flex Duct, 6", 25 Ft. Length	\$135.00
226600081	9108549913	Insulated Flex Duct, 7", 25 Ft. Length	\$140.00
226600082	9108549914	Insulated Flex Duct, 8", 25 Ft. Length	\$145.00
226600022	9108762650	Insulated Flex Duct, 9", 25 Ft. Length	\$165.00
226600023	9108762652	Insulated Flex Duct, 10", 25 Ft. Length	\$195.00
226600083	9108549915	Insulated Flex Duct, 12", 25 Ft. Length	\$330.00
Flexible Duct, Vinyl (Not Insulated)			
226600086	9108549917	Vinyl Flex Duct, 2", 25 Ft. Length	\$205.00
226600087	9108549918	Vinyl Flex Duct, 3", 25 Ft. Length	\$205.00
226600088	9108549919	Vinyl Flex Duct, 4", 25 Ft. Length	\$180.00
226600089	9108549920	Vinyl Flex Duct, 5", 25 Ft. Length	\$195.00
226600090	9108549921	Vinyl Flex Duct, 6", 25 Ft. Length	\$255.00
Plastic Grille Transition Boxes with Back Connections (Opposite Grille Opening)			
VTB44-3B	9108533228	4" x 4" with 3" Ring Back	\$80.00
VTB44-4B	9108533230	4" x 4" with 4" Ring Back	\$80.00
335635	9108557548	VTB64-4B, 6" x 4" with 4" Ring Back	\$95.00
229500057	9108550052	VTB84-4B, 8" x 4" with 4" Ring Back	\$105.00
229500195	9108550086	VTB84-5B, 8" x 4" with 5" Ring Back	\$105.00
229500058	9108550053	VTB104-5B, 10" x 4" with 5" Ring Back	\$125.00
229501524	9108690126	VTB106-5B, 10" x 6" with 5" Ring Back	\$135.00
229501523	9108690125	VTB106-6B, 10" x 6" with 6" Ring Back	\$135.00
Plastic Grille Transition Boxes with End Connections (On Small Dimension)			
229500071	9108550058	VTB44-4E, 4" x 4" with 4" Ring End	\$135.00
335634	9108557547	VTB64-4E, 6" x 4" with 4" Ring End	\$105.00
335195	9108557520	VTB84-4E, 8" x 4" with 4" Ring End	\$115.00
VTB104-4E	9108533206	10" x 4" with 4" Ring End	\$130.00
Plastic Grille Transition Boxes with Side Connections			
(On Long Dimension)			
229500122	9108550071	VTB84-4S, 8" x 4" with 4" Ring Side	\$105.00
VTB84-5S	9108533242	8" x 4", with 5" Ring Side	\$120.00
Plastic Grill Transition Boxes			
(Boxes are 5-3/16" Deep)			
229800014	9108550599	Transition Box ABS 4X4 NO CUTS/RINGS	\$75.00
229800044	9108550618	Transition Box ABS 6"X6" NO CUT/RNGS	\$75.00
228700121	9108550007	Transition Box ABS 6X4 NO CUTS/RINGS	\$75.00
229800017	9108550602	Transition Box ABS 8X4 NO CUTS/RINGS	\$75.00
228700234	9610001118	Transition Box ABS 8X6 NO CUTS/RINGS	\$75.00
229800018	9108550603	Transition Box ABS 10X4 NO CUTS/RINGS	\$85.00
229800019	9108550604	Transition Box ABS 12X4 NO CUTS/RINGS	\$85.00
229800022	9108550607	Transition Box ABS 10X5X4.5 NO CUTS/RINGS	\$95.00
229800034	9108550615	Transition Box ABS 10X5X5.75 NO CUTS/RINGS	\$95.00
228700235	9610001119	Transition Box ABS 10X6 NO CUTS/RINGS	\$95.00
229800043	9108550617	Transition Box ABS 10"X8" NO CUTS/RINGS	\$105.00

LEGACY ITEM #	NEW ITEM #	DESCRIPTION	LIST PRICE (USD)
Plastic Grill Transition Boxes			
(Boxes are 5-3/16" Deep)			
229800025	9108550610	Transition Box ABS 12X6X4.5 NO CUT/RINGS	\$105.00
229800045	9108680914	Transition Box ABS 12X6X5 NO CUTS/RINGS	\$105.00
229800031	9108550613	Transition Box ABS 12X6X5.75 NO CUTS/RINGS	\$105.00
229800020	9108550605	Transition Box ABS 14X4 NO CUTS/RINGS	\$105.00
229800024	9108550609	Transition Box ABS 14X5 NO CUTS/RINGS	\$105.00
229800026	9108550611	Transition Box ABS 14X6X4.5 NO CUTS/RINGS	\$125.00
229800033	9108682863	Transition Box ABS 14X7X5.5 NO CUTS/RINGS	\$125.00
229800021	9108550606	Transition Box ABS 16X4 NO CUTS/RINGS	\$120.00
229502080	9610002066	Transition Box ABS 16X8 NO CUT/RNG	\$120.00
229800015	9108550600	Transition Box ABS 4X4 E3	\$80.00
Plastic Duct TEEs, Adjustable Baffle			
228700100	9108549988	Transition ABS "T" DUCT 4/4/3	\$160.00
228700085	9108549975	Transition ABS "T" DUCT 4/4/4	\$160.00
228700093	9108549983	Transition ABS "T" DUCT 5/4/3	\$160.00
228700053	9108549946	Transition ABS "T" DUCT 5/4/4	\$160.00
228700104	9108549992	Transition ABS "T" DUCT 5/5/3	\$160.00
228700062	9108549953	Transition ABS "T" DUCT 5/5/4	\$160.00
228700067	9108549958	Transition ABS "T" DUCT 5/5/5	\$160.00
228700142	9108686175	Transition ABS "T" DUCT 6/4/4	\$160.00
228700108	9108549995	Transition ABS "T" DUCT 6/5/4	\$160.00
228700092	9108549982	Transition ABS "T" DUCT 6/5/5	\$160.00
228700088	9108549978	Transition ABS "T" DUCT 6/6/3	\$160.00
228700114	9108550001	Transition ABS "T" DUCT 6/6/4	\$160.00
228700120	9108550006	Transition ABS "T" DUCT 6/6/5	\$160.00
228700119	9108550005	Transition ABS "T" DUCT 6/6/6	\$160.00
228700106	9108549994	Transition ABS "T" DUCT 7/5/5	\$160.00
228700167	9108754974	Transition ABS "T" DUCT 7/6/3	\$160.00
228700103	9108549991	Transition ABS "T" DUCT 7/6/4	\$160.00
228700081	9108549971	Transition ABS "T" DUCT 7/6/6	\$160.00
228700150	9108688860	Transition ABS "T" DUCT 8/7/7	\$160.00
228700075	9108549965	Transition ABS "Y" DUCT 3/3/3	\$160.00
228700105	9108549993	Transition ABS "Y" DUCT 4/3/3	\$160.00
228700078	9108549968	Transition ABS "Y" DUCT 4/4/2	\$160.00
228700230	9610001115	Transition ABS "Y" DUCT 4/4/3	\$160.00
228700065	9108549956	Transition ABS "Y" DUCT 4/4/4	\$160.00
228700231	9610001116	Transition ABS "Y" DUCT 5/4/3	\$160.00
228700082	9108549972	Transition ABS "Y" DUCT 5/4/4	\$160.00
228700069	9108549960	Transition ABS "Y" DUCT 5/5/3	\$160.00
228700232	9610001130	Transition ABS "Y" DUCT 5/5/4	\$160.00
717050015	9108561913	Transition ABS "Y" DUCT 5/5/5	\$160.00
228700073	9108549963	Transition ABS "Y" DUCT 6/4/4	\$160.00
228700117	9108550003	Transition ABS "Y" DUCT 6/5/3	\$160.00
228700059	9108549951	Transition ABS "Y" DUCT 6/5/4	\$160.00
228700074	9108549964	Transition ABS "Y" DUCT 6/5/5	\$160.00
228700333	9610001120	Transition ABS "Y" DUCT 6/6/4	\$160.00
228700068	9108549959	Transition ABS "Y" DUCT 6/6/5	\$160.00
228700101	9108549989	Transition ABS "Y" DUCT 7/5/4	\$160.00

DUCTING & PLENUMS

LEGACY ITEM #	NEW ITEM #	DESCRIPTION	LIST PRICE (USD)
Plastic Duct TEEs, Adjustable Baffle (cont.)			
228700090	9108549980	Transition ABS "Y" DUCT 7/5/5	\$160.00
228700102	9108549990	Transition ABS "Y" DUCT 7/6/4	\$160.00
VHY765	9108533201	Transition ABS "Y" DUCT 7/6/5	\$160.00
228700112	9108549999	Transition ABS "Y" DUCT 7/6/6	\$160.00
717050021	9108561918	Transition ABS "Y" DUCT 7/7/3	\$160.00
VHY774	9108533203	Transition ABS "Y" DUCT 7/7/4	\$160.00
228700054	9108549947	Transition ABS "Y" DUCT 8/6/6	\$160.00
Plastic Blower Ts, Adjustable Baffle (Mounts over existing Hose adapter)			
228700060	9108549952	Transition ABS "T" Blower 4/4/4	\$160.00
228700076	9108549966	Transition ABS "T" Blower 5/4/3	\$160.00
228700153	9108690053	Transition ABS "T" Blower 5/4/4	\$160.00
228700148	9108687364	Transition ABS "T" Blower 5/5/3	\$160.00
228700154	9108690054	Transition ABS "T" Blower 6/4/4	\$160.00
228700140	9108685839	Transition ABS "T" Blower 6/5/3	\$160.00
228700145	9108687354	Transition ABS "T" Blower 6/5/4	\$160.00
228700083	9108549973	Transition ABS "T" Blower 6/5/5	\$160.00
228700139	9108685299	Transition ABS "T" Blower 6/6/3	\$160.00
228700160	9108690739	Transition ABS "T" Blower 6/6/6	\$160.00
228700066	9108549957	Transition ABS "T" Blower 7/5/4	\$160.00
228700111	9108549998	Transition ABS "T" Blower 7/5/5	\$160.00
228700058	9108549950	Transition ABS "T" Blower 7/6/4	\$160.00
228700091	9108549981	Transition ABS "T" Blower 7/6/5	\$160.00
228700094	9108549984	Transition ABS "T" Blower 7/6/6	\$160.00
228700157	9108690058	Transition ABS "T" Blower 7/7/4	\$160.00
Plastic Blower Ys, Adjustable Baffle			
228700086	9108549976	Transition ABS "Y" Blower 4/4/4	\$160.00
228700084	9108549974	Transition ABS "Y" Blower 5/4/4	\$160.00
228700055	9108549948	Transition ABS "Y" Blower 5/5/3	\$160.00
228700063	9108549954	Transition ABS "Y" Blower 5/5/4	\$160.00
228700079	9108549969	Transition ABS "Y" Blower 6/4/4	\$160.00
228700156	9108690057	Transition ABS "Y" Blower 6/5/4	\$160.00
228700109	9108549996	Transition ABS "Y" Blower 6/5/5	\$160.00
228700126	9108550011	Transition ABS "Y" Blower 6/6/4	\$160.00
228700155	9108690056	Transition ABS "Y" Blower 7/5/5	\$160.00
228700096	9108549986	Transition ABS "Y" Blower 8/6/6	\$160.00
Aluminum Mount Rings			
228700509	9108690968	Ring ALM 6" Round EBO16	\$95.00
228701041	9108700414	Ring ALM Duct 7" HC-7	\$135.00
228700162	9108691326	Ring ALM Duct 9" HC-9	\$140.00
228701007	9108728470	Ring ALM 9" Round EBOH24	\$195.00
228700213	9610000013	Ring ALM Duct 9"MR w/Flange 24K HV Blower (2054310) REU24	\$250.00
228700171	9108782168	Ring ALM Duct 10"MR w/Flange EBE30	\$235.00
228700180	9108831780	Ring ALM Duct 10"MR w/Base EBO30/36	\$145.00

LEGACY ITEM #	NEW ITEM #	DESCRIPTION	LIST PRICE (USD)
Plastic Blower Mount Rings			
228701001	9108550020	Mount Ring ABS DCT 4"MR CL5HV/VC5K	\$44.00
291617126	9108552389	Mount Ring ABS DCT ASY 6"MR 16K	\$70.00
228700211	9610000010	Blower Mount Ring 5", 4/6K	\$27.00
228700221	9610000031	Ring ABS Trans 5" with TV6 Base	\$170.00
228700209	9610000008	Blower Mount Ring 6", 6/8K	\$28.00
228700210	9610000009	Blower Mount Ring 7", 16/18K	\$31.00
228701002	9108550021	Mount Ring ABS DCT 5"MR VC5K w/Base	\$39.00
228701031	9108550028	Mount Ring ABS DCT 7"MR VR/VC16KHV	\$47.00
228701033	9108550030	Mount Ring ABS DCT 8"MR VC18HV/AH16D	\$165.00
228700229	9610000044	Mount Ring ABS DCT 8"MR 16HV w/Base	\$160.00
228701027	9108550026	Mount Ring ABS DCT 8"MR 24K w/Base	\$165.00
228700137	9108681199	Mount Ring ABS Trans 8"MR DCU27	\$80.00
336026	9108690441	Mount Ring ADAPT "L" 3" 90 Degree	\$120.00
290336025	9610000077	Mount Ring ADAPT "L" 4" 90 Degree	\$120.00
228700172	9108783531	Trans ABS ELBOW 5" 90 Degree Hose	\$120.00
228700173	9108785094	Trans ABS ELBOW 6" 90 Degree Hose	\$120.00
228700170	9108778606	Trans ABS ELBOW 8" 90 Degree Blower	\$120.00

Plastic/Aluminum Transition Rings/Hose Adapters

228700227	9610000040	Transition Ring, ABS 3"	\$26.00
228700225	9610000037	Transition Ring, ABS 4" 6K	\$26.00
228700223	9610000035	Transition Ring, ABS 5"	\$26.00
228700219	9610000028	Transition Ring, ABS 6"	\$27.00
228700217	9610000026	Transition Ring, ABS 7"	\$27.00
228700004	9108549925	Transition Ring, ABS 4" MNTD TO 5"TRNS	\$47.00
228700127	9108550012	Transition Ring, ABS 4" w/Push Rivets 6K	\$34.00
228700128	9108550013	Transition Ring, ABS 5" W/PUSH RIVET 8K	\$31.00
228700129	9108550014	Transition Ring, ABS 6" W/PUSH RIVET 10-12K	\$31.00
228700130	9108550015	Transition Ring, ABS 7" W/PUSH RIVET 14-16K	\$33.00
228700137	9108681199	Transition Ring, ABS 8" W/PUSH RIVET	\$80.00
228700226	9610000039	Transition Ring, ABS 3" OBLONG	\$36.00
228700224	9610000036	Transition Ring, ABS 4" OBLONG	\$41.00
228700222	9610000033	Transition Ring, ABS 5" OBLONG	\$34.00
228700132	9108550017	Transition Ring, ABS 5" OB W/PUSH RVTS	\$100.00
228700218	9610000027	Transition Ring, ABS 6" OBLONG	\$39.00
228700216	9610000025	Transition Ring, ABS 7" OBLONG	\$41.00
228700212	9610000012	Transition Ring, ALM 10"	\$130.00

T-Boxes (A.K.A. T-Box Blower Plenums)

First number in model is the unit size (10/12 = 10&12K), second set of numbers are duct size connections.

All transition boxes are ABS plastic. Note: The 7T is 7" high and the 10/12T & 16T are both 8" high.

231100515	9108550896	7T-BX VC7/E6 Universal	\$180.00
231100170	9108550889	7T-BX 5/4 VC7/E6	\$180.00
231100510	9108550895	10/12T-BX VC10/12 Universal	\$185.00
231100150	9108550886	10/12T-BX 5/4 VC10/12	\$185.00
231100500	9108550893	16T-BX VC16 Universal	\$290.00
231100130	9108550880	16T-BX 6/4 VC16	\$215.00

*Also available: Custom Alum Box, 50-150 square inch.

*See the Custom Plenum Request form on the next page. All prices include two rings.

*If interested in these items, please contact your Marine Air Sales Representative.

INSTALLATION ACCESSORIES

LEGACY ITEM #	NEW ITEM #	DESCRIPTION	LIST PRICE (USD)
Tube Insulation			
290000008	290000008	Insulation Tube, 3/8" ID x 3/8" Wall, 6 Ft. Length	\$24.00
290336120	290336120	Insulation Tube, 3/4" ID x 1/2" Wall, 6 Ft. Length	\$31.00
298001319	298001319	Insulation Mastic Coating, 1 Gallon with MSDS Sheet	\$330.00
Condensate Drain Fittings, Plastic			
1052708	1052708	Drain Fitting, 90°, 3/8" MPT x 1/2" Hose	\$15.00
290000257	4471000349	Drain Fitting, 90°, 3/8" MPT x 5/8" Hose	\$19.00
Refrigerant Fittings			
290000109	290000109	Flare Nut, 1/4"	\$20.00
290000188	290000188	Flare Nut, 3/8"	\$21.00
290000083	290000083	Flare Nut, 1/2"	\$22.00
290000107	290000107	Flare Nut, 3/4"	\$46.00
3120606	3120606	Flare Nut Reducing, 3/8" Flare to 1/4" Tube	\$7.93
3120308	3120308	Flare Nut Reducing, 1/2" Flare to 3/8" Tube	\$7.93
3120904	3120904	Flare Tee, 1/4" x 1/4" x 1/4"	\$9.20
3121006	3121006	Flare Tee, 3/8" x 3/8" x 3/8"	\$29.00
3121808	3121808	Flare Tee, 1/2" x 1/2" x 1/2"	\$33.00
3130104	3130104	Flare Tee Reducing, 3/8" x 1/4" x 1/4"	\$48.00
3131006	3131006	Flare Tee Reducing, 1/2" x 3/8" x 3/8"	\$35.00
3131007	3131007	Flare Tee Reducing, 5/8" x 3/8" x 3/8"	\$40.00
3120400	3120400	Flare Tee Reducing, 3/4" x 1/2" x 1/2"	\$65.00

LEGACY ITEM #	NEW ITEM #	DESCRIPTION	LIST PRICE (USD)
KRA 400 Series Titanium Condensing Units - R404A			
754000493	9610004739	KRA433X/1 1161 Single No Electric Box Water Cool Only	\$3,945.00
754000495	9610004741	KRA433X/1 1161 Mult2 With Electric Box Water Cool Only	\$4,510.00
754000486	9610003355	KRA433X/1 1161 Single No Electric Box	\$4,645.00
754000496	9610004742	KRA433X/1 1161 Mult2 With Electric Box	\$5,245.00
754000483	9610002834	KRA433X 2251 Single No Electric Box	\$4,665.00
754000484	9610003024	KRA433X 2251 Mult2 With Electric Box	\$5,215.00
754000431	9600001324	KRA433X 2371 Single No Electric Box Water Cool Only	\$3,945.00
754000440	9108920739	KRA433X 2371 Single No Electric Box	\$4,645.00
754000441	9108923048	KRA433X 2361 Mult2 With Electric Box	\$5,215.00
754000485	9610003144	KRA450X 1161 Single No Electric Box	\$5,860.00
754000491	9610004736	KRA450X 1161 Mult3 With Electric Box	\$6,405.00
754000498	9610004878	KRA450X 2361 Single No Electric Box	\$5,860.00
754000499	9610004879	KRA450X/1 2361 Mult3 With Electric Box	\$6,405.00

Single Box uses line duty; Dual Box uses 12/24V controls

KRA Control Kits

115/230V Kit Control used on Single Box KRA units

754000434	9108919327	Thermostat 115/230v with sensor: HP/LP inputs enabled (R404A units)	\$345.00
754000449	9600003791	Thermostat 115/230v with 40' sensor: HP/LP inputs enabled (R404A units)	\$370.00
754000468	9600005354	Thermostat 115/230v no sensor: HP/LP inputs enabled (R404A units)	\$300.00
758000026	9600006022	Replacement Temp Control 115/230 Programmed	\$290.00

Note: If above control 758000026 is replacing a Love control, the temp sensor will also need to be replaced.

754000424	9108851033	Thermostat 115/230v with sensor (R134A units)	\$345.00
754000423	9108851032	Thermostat 115/230v with communication & sensor (R134A units)	\$425.00

12/24V Kit Control used on Dual Box KRA units

754000438	9108919325	Thermostat 12/24v with sensor: HP/LP inputs enabled (R404A units)	\$345.00
754000437	9108919324	Thermostat 12/24v with comm. & sensor: HP/LP inputs enabled R404A units)	\$425.00
754000428	9108852341	Thermostat 12/24v with sensor (R134A units)	\$345.00
754000427	9108852340	Thermostat 12/24v with communication & sensor (R134A units)	\$425.00
758000024	9108894040	Replacement Temp Control 12/24v Programmed	\$290.00

*It is now mandatory that a Suction Line Filter Drier (PN #298002018) be installed when replacing an existing KRA condensing unit. The filter must be installed or the warranty will be VOID.

TX Valve Assemblies R404A

754000456	9108850601	TXV assembly, KRA4XX - No Fittings	\$575.00
754000454	9108849808	TXV assembly, KRA4XX 3/8"xQDx3/8" - 1/4" MFL SHORT	\$765.00
754000466	9108922497	TXV assembly, KRA4XX-QDXQD SHRT	\$785.00

TX Valve Assemblies R134A

754000114	9108691310	TXV assembly, 1/4HP, R134A only KRA025	\$380.00
754000115	9108698798	TXV assembly, 1/2HP, R134A only KRA050	\$380.00
754000113	9108690786	TXV assembly, 3/8HP, R134A only KRA038	\$380.00

Solenoid Manifolds

12VDC			
238100083	9108886142	LLYA 12V SOLND 1/4MX6" STUBS@2	\$735.00
238100090	9108923765	LLYA 12V 404A SOLND 90D 1/4MQD	\$855.00
238100059	9108781353	FTG SPL 3/8MQ16X3@1/4FQ 404SV	\$1,385.00
115V			
238100034	9108726711	LLYA 115V 134A SOLND 1/4MX1/4F	\$755.00
238100117	9600006092	LLYA 115V 3/8MQDX9" STUBS	\$780.00

LEGACY ITEM #	NEW ITEM #	DESCRIPTION	LIST PRICE (USD)
Suction Check Valves Splitters R404A			
238100088	9108919754	FTG SPL 3/8FQ16X(2)3/8MQ 404CV	\$640.00
238100060	9108781367	FTG SPL 3/8FQ16X(3)3/8MQ 404CV	\$765.00
238100067	9108790201	FTG SPL 3/8FQ16X(3)3/8MF 404CV	\$730.00
Liquid Lines - R404A			
221200993	9600003894	LLA 2' 1/4MQDXFQD INS 404A	\$360.00
221200949	9108922534	LLA 4' 1/4MQDXFQD INS 404A	\$395.00
238100092	9108923770	LLA 5' 1/4MQDXFQD INS R404A	\$405.00
238100091	9108923769	LLA 6' 1/4MQDXFQD INS 404A	\$415.00
221200996	9600004084	LLA 18' 1/4MQDXFQD INS 404A	\$395.00
221200950	9108922536	LLA 25' 1/4MQDXFQD INS 404A	\$445.00
Suction Lines - R404A			
221200991	9600003893	SLA 2' 3/8 MQDXFQD INS 404	\$275.00
221200888	9108886980	SLA 4' 3/8MQDXFQD INS 404A	\$275.00
221201001	9600005033	SLA 5' 3/8MQDXFQD INS 404A	\$380.00
221200909	9108913538	SLA 6' 3/8MQDXFQD INS 404A	\$385.00
221200537	9108693231	SLA 18' 3/8MQDXFQD INS 404A	\$430.00
221200951	9108922537	SLA 25' 3/8MQDXFQD INS 404A	\$450.00
Liquid Lines - R134A			
221200553	9108696549	LLPA48, Liquid Line w/ CPV, 48" Copper	\$495.00
221200629	9108737630	LLPA72, Liquid Line w/ CPV, 72" Copper	\$500.00
221200540	9108693326	LLPA300, Liquid Line w/ CPV, 300" Copper	\$650.00
Suction Lines - R134A			
221200543	9108693584	SLA48, Suction Line, Insulated, 48", Copper	\$285.00
221200513	9108691279	SLA72, Suction Line, Insulated, 72", Copper	\$300.00
221200516	9108691335	SLA96, Suction Line, Insulated, 96", Copper	\$315.00
221200541	9108693579	SLA216, Suction Line, Insulated, 216", Copper	\$430.00
221200544	9108693585	SLA300, Suction Line, Insulated, 300", Copper	\$465.00
Other KRA Accessories			
290000093	290000093	1/4" Female Quick-Connect (#5505-04B-06)	\$90.00
290000106	290000106	1/4" Male Quick-Connect (#5502-04B-06)	\$90.00
290000261	4471000367	3/8" Female Quick-Connect (#5505-06B-06)	\$94.00
290000187	290000187	3/8" Male Quick-Connect (#5502-06B-06)	\$94.00
753000129	9108691339	A-137S Stainless Thermistor Cover with Screws and Label	\$85.00
758002006	9108690528	Condensing Unit Relay 115V, 2 Triggers	\$420.00
290000127	290000127	Constant Pressure Valve, pre-set @3PSI	\$135.00
221200545	9108694017	CPV, Constant Pressure Valve with QC & Flare Connections	\$270.00
4062303	4062303	ETC Electronic T-Stat, 120/230V, 2-Stage	\$445.00
222103012	4471003282	NTC Bulb Temp Sensor 10ft	\$49.00
222103013	4471003283	NTC Bulb Temp Sensor 20ft	\$60.00
222103014	4471003284	NTC Bulb Temp Sensor 40ft	\$95.00
238100035	9108726713	SLYA, Suction Line Splitting Assy	\$330.00

LEGACY ITEM #	NEW ITEM #	DESCRIPTION	LIST PRICE (USD)
Replacement Parts			
722400012	722400012	A-556, MOV Surge Suppressor (Blue)	\$65.00
290000242	4471000332	Coil Condenser Air KR 1/4 & 3/8	\$490.00
290336824	4471000213	Compressor, Refrig, 1/4HP, Tecumseh, 115V 60Hz	\$795.00
290336825	4471000215	Compressor, Refrig, 3/8HP, Tecumseh, 115V 60Hz	\$740.00
290338234	4471007789	Compressor, Refrig. 1/3HP, Tecumseh, 2361 404A	\$735.00
290000248	4471000338	Fan Axial KR025, 038 050, 425, 450 230V 50/60Hz	\$390.00
290000089	290000089	Fan Axial KR025, 038, 425, 450 115VAC	\$390.00
44900	44900	Overload for 1/4HP & 3/8HP KRA Comps, AEA2410, 2413	\$37.00
290336817	290336817	Power Supply 12VDC 6A	\$160.00
290000223	4471000254	Relay 12VDC 20AMP SPDT	\$31.00
4040295	4040295	Start Cap for 1/2HP KRA Compressor, AJA2419	\$50.00
336669	336669	Start Cap for 1/4HP & 3/8HP KRA Comps, AEA2410, 2413	\$30.00
4129010	4129010	Start Relay for 1/4HP & 3/8HP KRA Comps, AEA2410, 2413	\$90.00
290331342	4471000115	REPL TRANS MAGNETEK FD8-16	\$150.00
290000132	290000132	TXV 1/2HP KRA050	\$185.00
290000130	290000130	TXV 1/4HP KRA025	\$185.00
290000131	290000131	TXV 3/8HP KRA038	\$185.00

SPECIFICATIONS FOR KRA UNITS

Model	KRA								
	433X Water-Cooled			433X			450X		
Capacity (BTU/h)	433			433			450		
Voltage (VAC)	115	230	220	115	230	220	115	230	220
Cycle (Hz) /Phase (Ph)	60/1	60/1	50/1	60/1	60/1	50/1	60/1	60/1	50/1
Horsepower (HP)	1/3			1/3			1/2		
Full Load Amps (FLA) Cool	6.3	3.2	2.4	6.3	3.2	2.4	6.7	3.0	3.0
Locked Rotor Amps (LRA)	40.0	20.5	15.5	40.0	20.5	15.5	68.0	34.0	25.2
Max. Circuit Breaker (Amps)	15.0	5.0	5.0	15.0	5.0	5.0	20.0	10.0	10.0
Min. Circuit Ampacity (Amps)	10.0	5.0	5.0	10.0	5.0	5.0	16.0	8.0	8.0
Refrigerant Type	404A			404A			404A		
Seawater Inlet Connection (in/mm)	0.625/16			0.625/16			0.625/16		
Max Height (in/mm)	11.1/282			17.77/452			20.43/519		
Max Width	8.9/226			8.94/228			10.42/265		
Max Depth	16.0/406			14.5/369			16.25/413		
Net Weight (lbs/kg)	46/21			58/26			85/39		

LEGACY ITEM #	NEW ITEM #	DESCRIPTION	LIST PRICE (USD)
Condensing Units			
755400000	9108777973	CU-100, ColdMachine, Self-Seal QC, Air Cooled, 12VDC	\$1,605.00
755410000	9108777974	CU-200, SuperColdMachine, Self-Seal QC, Water/Air Cooled, 12VDC	\$1,785.00
755401001	9105306623	50 Series, Horizontal, Long Layout, 12/24VDC, Air Cooled only	\$1,445.00
CU-55-W01-B	9105306624	50 Series, Square Layout, 12/24VDC, Air Cooled only	\$1,445.00
CU-84-W01-B	9105306597	80 Series, Horizontal Layout, 12/24VDC, Air Cooled only	\$1,615.00
CU-85-W01-B	9105306598	80 Series, Square Layout, 12/24VDC, Air Cooled only	\$1,615.00
CU-86-W01-B	9105306599	80 Series, Vertical or Wall Mount Layout, 12/24VDC, Air Cooled only	\$1,615.00
Evaporators			
ColdMachine™ and SuperColdMachine™ (to be used with the cu-100 & cu-200 only)			
755500000	9600026331	VD-150, Small Vertical Evap., Without Door, Self-Seal QC	\$1,035.00
755510000	9600026332	VD-151, Small Horizontal Evap., With Door, Self-Seal QC	\$960.00
755520000	9108777975	VD-152, Large Vertical Evap., Without Door, Self-Seal QC	\$1,050.00
755530000	9108777977	VD-153, Large Horizontal Evap., With Door, Self-Seal QC	\$1,060.00
755560000	9108777978	VD-160, Power Plate Evap w/ Analog Thermostat, Self-Seal QC	\$2,440.00
293600973	9108848624	VD-160 Tubeset, QD's, One Shot	\$560.00
50 Series (to be used with the 50 Series ONLY)			
755400111	9105306625	L-Shaped Evap, Horizontal and Vertical Installation	\$360.00
755400101	9105306627	Plate Evap, Horizontal and Vertical Installation	\$360.00
755400106	9105306628	Standard O-Shaped Evap, Horizontal and Vertical Installation	\$360.00
80 Series (to be used with the 80 Series ONLY)			
755400107	9105306612	VD15 High-Performance forced Air Evap.**	\$430.00
VD-08-W01-B	9105306607	VD-08 L Shaped Evap, Refrigerator or Freezer up to 2.5 cu.ft.	\$775.00
755400100	9105306608	VD-09 Large-Sized Evap, Horizontal and Vertical Installation	\$775.00
755400105	9105306605	VD-05 Plate Evap, Horiz./Vert.Install, 1"D x 14.8"W x 13.7" H	\$385.00
Notes:			
1. The VD-15 is suited for large cooling volumes and high ambient temperatures. 2. Comes with white plastic housing with brushless fan.			
Kits			
C8075	9108777960	Booster Blow Duct Kit CU-100	\$380.00
C8350	9108777961	Cool Water Kit with 12V Pump CU-200	\$1,005.00
755401003	9105306593	CS-NC-15 Compact Compressor Cooling Kit	\$1,200.00
C8079	9108783497	Vent Duct Kit CU-100	\$300.00
C8070	9108783496	Vent Duct Kit CU-200	\$280.00
Accessories			
755570000	9108777976	Adapter - One Shot new QCs*	\$335.00
290000217	4471000211	Cond, Z3281 Fan 12VDC (CU-100 and CU-200)	\$99.00
290000093	290000093	Coupling, QC, 1/4" Female, Size 4	\$90.00
290000187	290000187	Coupling, QC, 3/8" Male, Size 4	\$94.00
C9617-RC4	9108783513	Lineset Extension, QC, 5ft, Size 4	\$445.00
298001526	9108886237	Module 101N0213 Standard	\$365.00
4030003	4030003	Module 101N0230 Hard Start	\$585.00
339624	339624	Module 101N0340 RFI	\$360.00
290000317	4471002805	PCB Stuffed F1886 (CU-100 and CU-200)	\$200.00
C7210	9108777967	Spill-Over Fan Kit, Analog Control	\$520.00
C1502JR1500	9108777971	T-Stat Asm Analog, with 1500 Ohm Resistor (All VD's Freezer)	\$250.00
290000183	4471000109	T-Stat D8072 Spill-Over, Yellow Dot	\$44.00
290000181	4471000105	T-Stat E1391 Powerplate/Freezer, White Dot	\$48.00
F1710JR680	9108777969	T-Stat Large Evap Analog, w/680 Ohm Resistor (VD-152 and VD-153)	\$220.00
F1710JR270	9108777972	T-Stat Small Evap Asm Analog, with 270 Ohm Resistor (VD-150 and VD-151)	\$230.00
290000280	4471000677	T-Stat Z3202 Refrigerator, Blue Dot	\$50.00
*Note: If buying a new evaporator with new QCs to use with an older condensing unit, you must purchase One-Shot Adapter			

LEGACY ITEM #	NEW ITEM #	DESCRIPTION	LIST PRICE (USD)
Eskimo Ice Titanium Units with Digital Controls			
252000075	9610004022	EI1000X/2-2360 Digital Control	\$29,335.00
252000073	9610003779	EI1000X/2 2250 Digital Control	\$31,515.00
252000060	9108919705	EI540X-115V Digital Control	\$17,900.00
252000061	9108917152	EI540X-230V Digital Control	\$18,470.00
252000573	9610003735	EI540X-2451 Digital Control	\$18,470.00

SERVICE PARTS & ACCESSORIES	115V	230V	220V	230V	220V
-----------------------------	------	------	------	------	------

EI540 & EI1000 Replacement Parts					
Bearing, Assembly Bottom	4037060	4037060	4037060	Call for P/N	Call for P/N
Bearing, Assembly Top	4037055	4037055	4037055	Call for P/N	Call for P/N
Capacitor, Run	N/A	290000101	290000101	N/A	N/A
Capacitor, Start	4037067	290330559	290330559	290000053	N/A
Circuit Board	252000131	252000131	252000133	252000147	252000147
Compressor	298001830	293045691	341878*	252000160	341952*
Display, Digital Eskimo Ice2	252000158	252000158	252000158	252000158	252000158
EI 15' Hose Kit	252000621	252000621	252000621	252000621	252000621
EI 35' Hose Kit	252000620	252000620	252000620	252000620	252000620
Filter Cold Water	252000157	252000157	252000157	252000157	252000157
Gear Box Assy with Motor	252000142	252000140	252000140	290340951	290340951
HPS Switch	290000196	290000196	290000196	290000196	290000196
LPS Switch	290332457	290332457	290332457	290332457	290332457
Overload	4037069	4037072	Call for P/N	Call for P/N	Call for P/N
Relay Start Gear Motor	Call for P/N	4037066	4037066	N/A	N/A
Relay Start Compressor	4037068	290339860	290339860	339883	N/A
Sensor Photo Diffuser w/3POS Terminal Block	252000136	252000136	252000136	252000136	252000136
Spout Extension For Current EI540 Units	252000149	252000149	252000149	N/A	N/A
Switch float single stage vertical mount	290000174	290000174	290000174	290000174	290000174
Switch Spout Digital	N/A	N/A	N/A	252000157	252000157
Switch, Rocker Reset Button	252000623	252000623	252000623	252000623	252000623
Thru-Hull Assembly	252000205	252000205	252000205	252000205	252000205
Tube, 6' Insulated 1.125ID x 0.75W	226000056	226000056	226000056	226000056	226000056
Water Reservoir Digital	252000119	252000119	252000119	252000119	252000119
Y-Strainer with Fittings	252000107	252000107	252000107	252000107	252000107

ESKIMO ICE

LEGACY ITEM #	NEW ITEM #	DESCRIPTION	LIST PRICE (USD)
Eskimo Ice Replacement Parts List and Pricing			
4037060	4037060	Bearing, Assembly Bottom EI540X	\$975.00
4037055	4037055	Bearing, Assembly Top EI540X	\$740.00
290000101	290000101	Capacitor, Run EI540X 230V & 220V	\$29.00
290000053	290000053	Capacitor, Start EI1000X 230V	\$195.00
4037067	4037067	Capacitor, Start EI540X 115V	\$85.00
290330559	290330559	Capacitor, Start EI540X 230V & 220V	\$65.00
252000147	252000147	Circuit Board EI1000X 230V & 220V	\$975.00
252000131	252000131	Circuit Board EI540X 115V & 230V	\$975.00
252000133	252000133	Circuit Board EI540X 220V	\$925.00
252000160	4471008389	Compressor EI1000X 230V	\$1,815.00
341952*	TBD	Compressor EI1000X 220V	Call for Price
298001830	298001830	Compressor EI540X 115V	\$980.00
293045691	293045691	Compressor EI540X 230V	\$950.00
341878*	TBD	Compressor EI540X 2451	Call for Price
252000158	9610001136	Display, Digital Eskimo Ice2	\$250.00
252000157	4471000697	Filter Cold Water EI540 & 1000	\$480.00
290340951	290340951	Gear Box Assy with Motor EI1000X 230V & 220V	\$4,470.00
252000142	252000142	Gear Box Assy with Motor EI540X 115V	\$3,375.00
252000140	252000140	Gear Box Assy with Motor EI540X 230V & 220V	\$3,855.00
252000621	252000621	Hose Kit EI 15' EI540 & 1000	\$415.00
252000620	252000620	Hose Kit EI 35' EI540 & 1000	\$615.00
290000196	4471000141	HPS Switch EI540 & 1000	\$58.00
290332457	4471000172	LPS Switch EI540 & 1000	\$125.00
4037069	4037069	Overload EI540X 115V	\$23.00
4037072	4037072	Overload EI540X 230V	\$23.00
4037066	4037066	Relay Start Gear Motor EI540X 230V & 220V	\$295.00
339883	339883	Relay Start for Compressor EI1000X 230V & 220V	\$55.00
4037068	4037068	Relay Start for Compressor EI540X 115V	\$50.00
290339860	290339860	Relay Start for Compressor EI540X 230V & 220V	\$110.00
252000136	9108791905	Sensor Photo Diffuser w/3POS Terminal Block	\$370.00
252000149	252000149	Spout Extension For Current EI540 Units	\$165.00
290000174	4471000093	Switch float single stage vertical mount	\$80.00
252000156	4471000670	Switch Spout Digital	\$30.00
252000623	252000623	Switch, Rocker Reset Button w/ Cover	\$60.00
252000205	9108811515	Thru-Hull Assembly	\$115.00
226000058	9610002797	Tube, 6' Insulated 1.125ID x 0.75W	\$50.00
252000119	9108550928	Water Reservoir Digital	\$445.00
252000107	9108550926	Y-Strainer with Fittings	\$95.00

LEGACY ITEM #	NEW ITEM #	DESCRIPTION	LIST PRICE (USD)
Replacement Condaria Chillers			
9107510615	9107510615	PCWM 15002 2261 QSPI R410A	\$35,645.00
9107510618	9107510618	PCWM 15002 2261-SOFTST QIPI	\$35,645.00
9107510620	9107510620	PCWM 18002 2261 QSPI R410A	\$33,465.00
9107510637	4471001385	PCWM 23002 220/1/60QSPI R410A	\$48,455.00
9107510212	9107510212	PCWM/VAR 15001 2361 QIPI R410A	\$32,570.00
9107510760	9107510760	PCWM 180001 VAR 2361 CONDARIA 72K BTU	\$34,445.00
Idea Climate Control System			
5309000	9107510530	Control Board Fan Coil Idea Power 10 Speed	\$1,145.00
Personal Climate Control System (Series 7)			
Series 7 Displays			
530700050	530700050	Personal Climate Display VIMAR ARKE BLACK	\$555.00
530700060	9107510457	Personal Climate VIMAR ARKE WHITE	\$575.00
530700010	9107510452	Personal Climate VIMAR IDEA	\$575.00
530700040	530700040	Personal Climate Vimar EIKON-EVO	\$555.00
MBS 7 and ABS 7 Control Board with Enclosure			
530710060	530710060	Personal Climate MBS-7 10 Speed Main Board	\$1,065.00
530710080	530710080	Personal Climate ABS-7 10 Speed Slave Board	\$490.00
Top Climate Control System (Series 3 and Series 6)			
Displays Series 3 through Series 6			
530000131	9107510472	Top Climate Display Vimar Idea (type) MBS 3-6	\$545.00
530000200	530000200	Top Climate Display Living & Light tech (type) MBS 3-6	\$555.00
530000110	530000110	Top Climate Display Axolute (type) MBS 3-6	\$545.00
MBS 3-6 and ABS3-6 Control Board with Enclosure			
530000080	530000080	Top Climate MBS-3 3 Speed Main Board	\$990.00
530000160	530000160	Top Climate ABS-3 3 Speed Slave Board	\$465.00
530000090	530000090	Top Climate MBS-6 3 Speed Main Board	\$860.00
530000100	530000100	Top Climate ABS-6 3 Speed Slave Board	\$570.00
530000010	530000010	Top Climate MBS 6-10 Speed Main Board	\$1,135.00
530000020	530000020	Top Climate ABS 6-10 Speed Slave Board	\$990.00
Climate Organizer Control System Parts			
530000132	9107510473	Climate Organizer Display Black (Clio) MBS 2	\$545.00
530000133	530000133	Climate Organizer Display White (Clio) MBS 2	\$475.00
530000129	530000129	Climate Organizer (CLIO) MBS-2 3 Speed Control Board	\$925.00
530000160	530000160	Top Climate ABS-3 3 Speed Slave Board	\$465.00
Air Handler Ventilator Assemblies (capacitors not included)			
6080620	6080620	Junior	\$1,020.00
6080560	6080560	Giant 4 & Giant 8	\$1,065.00
6080643	6080643	AP M	\$500.00
6080640	6080640	AP 1 & AP3	\$750.00
6080650	6080650	AP 5	\$755.00
6080667	6080667	AP8 & AP 10 (not insulated intend to just change the motor)	\$1,610.00
Series 7- 10 Speed Ventilator Capacitors (Metal Capacitor without box)			
530080000	530080000	APM Run Capacitor 10 Speed (1,5 uF)	\$35.00
530080010	530080010	AP1, AP3, Twin 12, G4, G8 8 Run Cap. 10 Speed (2 uF)	\$50.00
530080020	530080020	AP5, Twin 18 Run Capacitor 10 Speed (4uf)	\$70.00
530080030	530080030	AP8, AP10 Run Capacitor 10 Speed (6uf)	\$50.00

LEGACY ITEM #	NEW ITEM #	DESCRIPTION	LIST PRICE (USD)
MBS 3-6 Compatible 3 Speed Capacitor Assembly with Box			
530079000	530079000	AP M (3 speed)	\$310.00
530079010	530079010	AP 1, AP3, Twin 12, Giant 4, Junior, Giant 8 (3 speed)	\$310.00
530079020	530079020	AP 5, Twin 18 (3 speed)	\$310.00
530079030	530079030	AP 8 & AP 10 (3 speed)	\$310.00
MBS 3- 6 Compatible 10 Speed Capacitor Assemblies:			
530077040	530077040	AP 1, AP3, Twin 12, Junior, Giant 4, Giant 8 (10 speed)	\$215.00
530077050	530077050	AP 5, Twin 18 (10 speed)	\$215.00
530077060	530077060	AP 8 and AP 10 (10 speed)	\$215.00
Air Handler Sensors			
530000210	530000210	Air Sensors All Condaria Air Handler Controls	\$100.00
5330250	5330250	Water Sensor Air Handlers and Chillers	\$80.00
Air Handler 3 Way Valve			
529001025	529001025	3 Way 4 port Valve Complete Condaria 220V 1PH Sauter	\$660.00
5302370	5302370	3 way Valve Motor Only AXT111 Johnson	\$215.00
530002491	530002491	AXT301 Sauter Thermal Actuator	\$400.00
Chiller Control Boards			
5330230	5330230	Chiller Organizer -2 Compressor Main Board	\$1,765.00
5330210	5330210	Chiller Organizer 2/3 -3 Comp. Main Board	\$2,130.00
5330200	5330200	Chiller Organizer 2/3 -4 Comp. Main Board	\$2,130.00
9107510153	4471000992	New Easy Chiller Board, 2 Compressor	\$1,700.00
Chiller Control Displays and Misc. Parts			
533000025	9107510419	Chiller Organizer PRIMARY Display, 1 Compressor	\$480.00
533000020	9107510418	Chiller Organizer PRIMARY Display, 2 Compressor	\$555.00
533000010	9107510417	Chiller Organizer 2/3 PRIMARY Display - 3 or 4 Comp.	\$1,725.00
9107515808	4471000994	New Easy Chiller Display 1 or 2 Compressor (Board inside display only)	\$635.00
9107515813	4471000993	New Remote Top Chiller	\$1,230.00
5330250	5330250	Water and Freeze Sensor Chillers	\$80.00
5240220	5240220	Pressure Gauge Condaria	\$160.00
5270320	5270320	Pressure Differential Switch	\$260.00
5270010	5270010	Flow Switch Caleffi 1"	\$725.00
Pumps and Pump Parts			
6231200	6231200	Pump SW CP 20 230V/50-60/1PH	\$2,075.00
6231203	6231203	Pump SW CP 26 230V/50-60/1PH	\$2,385.00
6231204	6231204	Pump SW CP 30 230V/50-60/1PH	\$3,170.00
6230260	9107511073	Sea Water BCM22/A 230V/1/50-60	\$5,530.00
6230370	9107510420	Circulation Pump CM 22 E/R 230/60/1	\$1,580.00
6231820	9107510364	Circulation Pump CWP NMM1/AE 220/1/50-60 0,37KW	\$1,580.00
6230840	9107511075	Circulation Pump NMM25/12 230V/1/50-60	\$2,530.00
6230830	6230830	Sea Water Pump BNMM25/12 230 60/1	\$4,515.00
6230301	6230301	Sea Water Pump BC41/1E 230 50-60/1	\$3,100.00
6260190	6260190	Pump Seal Kit (diam. 12MM) BCM20, BCM 22, NMM25	\$400.00
6260195	6260195	Pump Seal Kit (diam. 18MM) BC41 E	\$485.00
6260220	6260220	Pump Head Gasket BCM 22 and NMM25	\$24.00
6260300	6260300	Pump Head Gasket BNMM25/12	\$33.00
6260011	6260011	Pump Capacitor 10 MF	\$32.00
6260010	6260010	Pump Capacitor 12.5 MF	\$36.00
6260020	6260020	Pump Capacitor 16 MF	\$42.00
6260040	6260040	Pump Capacitor 25 MF	\$55.00

DTU UNIT BTU'S, VOLTAGE, AND FREQUENCY	EVAP ASSEMBLY W/ STRAINER	CONDENSER COIL ASSEMBLY	COMPRESSOR ASSEMBLY	REVERSING VALVE ASSEMBLY	BLOWER ASSEMBLY ¹	COMP OVERLOAD	DRAIN PAN ASSEMBLY	DUAL RUN CAP
TURBO R410A Only - DTU								
6K 115V 60Hz	239401027	239401015	239402044	239100071	298002038	332849	298002198	290000054
8K 115V 60Hz	239401028	239401015	239402046	239100071	298002027	332849	298002198	290000066
10K 115V 60Hz	239401029	239401016	239402049	239100073	298002029	290000323	239300023	290000055
12K 115V 60Hz	239401030	239401016	239402052	239100073	298002029	4120062	239300023	290000319
16K 115V 60Hz	239401031	239401017	N/A	239100075	298002031	290000110	298002199	290337047
6K 230V 60Hz	239401027	239401015	N/A	239100072	298002026	4120059	298002198	290337048
8K 230V 60Hz	239401028	239401015	239402047	239100072	298002028	4120059	298002198	290000343
10K 230V 60Hz	239401029	239401016	239402050	239100074	298002030	4120061	239300023	290338293
12K 230V 60Hz	239401030	239401016	239402053	239100074	298002030	4120057	239300023	290000326
16K 230V 60Hz	239401031	239401017	N/A	239100076	298002032	290000236	298002199	290000327
6K 220V 50Hz	239401027	239401015	239402048	239100072	298002026	4120059	298002198	290337048
8K 220V 50Hz	239401028	239401015	239402048	239100072	298002028	4120059	298002198	290000343
10K 220V 50Hz	239401029	239401016	N/A	239100074	298002030	4120060	239300023	290338293
12K 220V 50Hz	239401030	239401016	239402054	239100074	298002030	4120060	239300023	290000326
16K 220V 50Hz	239401031	239401017	239402036	239100076	298002032	290000334	298002199	290000322

DTU UNIT BTU'S, VOLTAGE, AND FREQUENCY	EVAP ASSEMBLY W/ STRAINER	CONDENSER COIL ASSEMBLY	COMPRESSOR ASSEMBLY	REVERSING VALVE ASSEMBLY	BLOWER ASSEMBLY ¹	COMP OVERLOAD	DRAIN PAN ASSEMBLY	DUAL RUN CAP
TURBO R417A Only								
6K 115V 60Hz	N/A	239401015	N/A	239100071	298002038	N/A	239300022	290000054
8K 115V 60Hz	239401010	239401015	N/A	239100071	298002027	4120008	239300022	290000066
10K 115V 60Hz	N/A	239401016	N/A	239100073	298002029	4120038	239300023	290000055
12K 115V 60Hz	239401012	239401016	N/A	239100073	298002029	4120007	239300023	290000055
16K 115V 60Hz	239401014	239401017	239402060	239100075	298002031	290000234	239300024	4040039
8K 230V 60Hz	239401010	239401015	N/A	239100072	298002028	N/A	239300022	290000343
10K 230V 60Hz	N/A	239401016	3013409*	239100074	298002030	4120039	239300023	290338293
12K 230V 60Hz	239401012	239401016	N/A	239100074	298002030	4120010	239300023	4040037
16K 230V 60Hz	239401014	239401017	N/A	239100076	298002032	290000236	239300024	290000327
6K 220V 50Hz	239401009	239401015	N/A	239100072	298002026	4120024	239300022	4040034
8K 220V 50Hz	239401010	239401015	N/A	239100072	298002028	4120025	239300022	290000343
10K 220V 50Hz	N/A	239401016	N/A	239100074	298002030	4120028	239300023	290000120
12K 220V 50Hz	239401012	239401016	239402030	239100074	298002030	335573	239300023	290000326
16K 220V 50Hz	239401014	239401017	239402036	239100076	298002032	332859	239300024	290000322

*Compressor only

¹Run cap not included with blower

TURBO UNITS 6-16K	DRAIN PAN MOUNT KIT	HIGH PRESSURE SWITCH - DIGITAL	HIGH PRESSURE SWITCH - MECHANICAL
ALL 410A	290339944	290000197	290000211
ALL 417A	290339944	290000196	290000212

TURBO UNITS 6-16K	CIRCUIT BOARD
DTU Units	223100508
VTD Units	223100508
STQ Units	298001896

REPLACEMENT PARTS TABLES

DTG BTU'S, VOLTAGE, AND FREQUENCY	EVAP ASSEMBLY W/ STRAINER	CONDENSER COIL ASSEMBLY	COMPRESSOR ASSEMBLY	REVERSING VALVE ASSEMBLY	BLOWER ASSEMBLY	COMP OVERLOAD	DRAIN PAN MOUNT KIT	DUAL RUN CAP
TURBO GLOBAL 410A								
6K 1171	239401027	239401015	239402066	239100071	239400052	290340777	298002198	290000054
8K 1171	239401028	239401015	239402067	239100071	239400054	290340774	298002198	290000066
10K 1171	239401029	239401016	239402068	239100073	239400056	290340780	239300023	290340735
12K 1171	239401030	239401016	239402069	239100073	239400056	290340782	239300023	290340735
16K 1171	239401031	239401017	239402070	239100075	239400058	290340775	298002199	290337647
6K 2371	239401027	239401015	239402071	239100072	239400053	290340778	298002198	340786*
8K 2371	239401028	239401015	239402072	239100072	239400055	290340779	298002198	290340787
10K 2371	239401029	239401016	298002108	239100074	239400057	290340781	239300023	290000120
12K 2371	239401030	239401016	239402074	239100074	239400057	290340783	239300023	290000326
16K 2371	239401031	239401017	239402075	239100076	239400059	290340774	298002199	290340788

TURBO GLOBAL 6-16K	DRAIN PAN MOUNT KIT	HIGH PRESSURE SWITCH - DIGITAL	HIGH PRESSURE SWITCH - MECHANICAL	REVERSING VALVE SOLENOID	TURBO UNITS 6-16K	CIRCUIT BOARD
All Sizes						
ALL 410A	290339944	290000197	290000211		DTG Units	223100508
1171				290339663	DTU Units	223100508
					VTD Units	223100508
					STQ Units	298001896

CAPACITY	VOLTAGE	CONDENSER COIL ASY	BLOWER W/ CAP	BLOWER CAPACITOR	EVAP. W/ STRAINER & CAP	REV. VALVE	SOLENOID COIL	DRAIN PAN MOUNT KIT
Compact Global R410A - DCU18 Dual Voltage								
18000	2371	293044036	298002033	290000080	298001963	290339643	290339664	291049008
CAPACITY	VOLTAGE	START CAP	RUN CAP	PTCR START ASSIST	OVERLOAD	DRAIN PAN	COMPRESSOR	PRESSURE SWITCH
18000	2371	290330412	290000087	290000080	298000020	298002263	298002069	290000197

COMPACT UNITS	CIRCUIT BOARDS
DCU Global Units	223100508
DCU Units	223100508
VCD Units	223100508
SQUF Units	298001896

CAPACITY	VOLTAGE	CONDENSER	BLOWER	BLOWER CAPACITOR	EVAPORATOR	REV. VALVE	SOLENOID COIL	DRAIN PAN MOUNT KIT
Compact R410A -DCU								
18000	115V	335494*	298002037	290331027	298001963	290339643	290339662	291049008
18000	230V	335494*	298002033	290000080	298001963	290339643	290339664	291049008
18000	220V	335494*	298002033	290000080	298001963	290339643	290339664	291049008
27000	230V	290333344	298002034	290000119	239401006	290339643	290339664	291049013
27000	220V	290333344	298002034	290000119	239401006	290339643	290339664	291049013
30000	230V	335494*	298002032	290000095	340398*	339644	290339664	
30000	220V	335494*	298002032	290000095	339966*	339644	290339664	

CAPACITY	VOLTAGE	START CAP	RUN CAP	PTCR START ASSIST	OVERLOAD	DRAIN PAN	COMPRESSOR	PRESSURE SWITCH
Compact R410A continued								
18000	115V	3100236.235	290000123	290335055	290000108	298002263	239402018	290000197
18000	230V	290330412	290000121	290335055	Call for P/N	298002263	298002069	290000197
18000	220V	290330412	290331475	290335055	Call for P/N	298002263	298002069	290000197
27000	230V	N/A	290330855	290335055	Call for P/N	298600001	298001186	290000197
27000	220V	N/A	290330855	290335055	Call for P/N	298600001	298001516	290000197
30000	230V	290330412	290335356	290335055	Call for P/N	Call for P/N	Call for P/N	290000197
30000	220V	290330412	335802	290335055	Call for P/N	Call for P/N	3000190	290000197

CAPACITY	VOLTAGE	BLOWER ASSY	DUAL RUN CAP	COMPRESSOR ASSY W/OVRL	OVERLOAD	REVERSING VALVE	SOLENOID COIL	CONDENSER COIL
ECD GLOBAL 410A								
6K	1171	239400063	290000054	239402066	290340777	290339646	290339663	290332685
10K	1171	239400065	290340735	239402068	298002183	290339641	290339663	Call P/N
16K	1171	239400067	290337647	239402070	290340775	290339641	290339663	290335494
6K	2371	298002026	290340786	239402071	290340778	290339646	290339665	290332685
10k	2371	207500113	290000120	298002108	290340781	290339641	290339665	Call P/N
16k	2371	298002032	290340788	239402075	290340774	290339641	290339665	290335494

CAPACITY	VOLTAGE	PRESSURE SWITCH	PC BOARD	DISPLAY BEZEL	DISPLAY W/ BEZEL	DISPLAY CABLE
ECD GLOBAL 410A continued						
6K	1171	290000197	223100508	222000224	222000245	222103008
10K	1171	290000197	223100508	222000224	222000245	222103008
16K	1171	290000197	223100508	222000224	222000245	222103008
6K	2371	290000197	223100508	222000224	222000245	222103008
10K	2371	290000197	223100508	222000224	222000245	222103008
16K	2371	290000197	223100508	222000224	222000245	222103008

REPLACEMENT PARTS TABLES

CAPACITY	VOLTAGE	BLOWER ASSY	BLOWER CAPACITOR	COMPRESSOR ASSY	OVERLOAD	REVERSING VALVE ASSY	SOLENOID COIL	CONDENSER COIL
ECD/ECM 410A								
6K	115	239400063	290000054	239402044	332849	290339646	290339663	290332685
10K	115	239400065	4040029	239402049	290000323	290339641	290339663	3020211*
16K	115	239400067	N/A	239402070	290000110	290339641	290339663	290335494
6K	220	Call P/N	290337048	239402048	4120059	Call P/N	290339665	290332685

CAPACITY	VOLTAGE	PRESSURE SWITCH	PC BOARD	DISPLAY W/ BEZEL	DISPLAY CABLE
ECD/ECM 410A continued					
6K	115	290000197	223100508	222000245	222103008
10K	115	290000197	223100508	222000245	222103008
16K	115	290000197	223100508	222000245	222103008
6K	220	290000197	223100508	222000245	222103008

CAPACITY	VOLTAGE	BLOWER ASSY	CONDENSER COIL ASSY
ECD/ECM 417A			
5K	115	239400063	290332685
6.5K	115	N/A	334555
9K	115	239400065	335465
11K	115	N/A	335465
15K	115	239400067	290335494

DEU UNIT BTU'S AND VOLTAGE	COMP. ASSEMBLY	COND. COIL ASSEMBLY	REVERSING VALVE	RUN CAP	COMP OVERLOAD	BASE VALVE SUCTION	START ASSIST
Emerald 6-16K							
6K 115V 60Hz	293013047	239401032	290339646	290331475	332849	290337416	N/A
8K 115V 60Hz	293013048	239401032	290339646	290331475	332849	290337416	N/A
10K 115V 60Hz	293013049	239401032	290339646	290330855	290000323	290337416	N/A
12K 115V 60Hz	293013050	239401033	290339643	290331475	4120062	290337416	N/A
16K 115V 60Hz	293013051	239401033	290339643	290000121	290000110	290337417	290335055
6K 200-230V 50/60Hz	293013052	239401032	290339646	290000101	4120059	290337416	N/A
8K 230V 60Hz	293013053	239401032	290339646	290000101	4120059	290337416	N/A
10K 230V 60Hz	293013054	239401032	290339643	290000101	4120061	290337416	N/A
12K 230V 60Hz	293013055	239401033	290339643	290333597	4120057	290337416	N/A
16K 230V 60Hz	293013056	239401033	290339643	290000087	290000236	290337417	290335055
8K 220V 50Hz	Call P/N	Call P/N	290339646	290000101	Call P/N	290337416	N/A
10K 220V 50Hz	293013057	239401032	290339646	290000101	Call P/N	290337416	N/A
12K 220V 50Hz	293013058	239401033	290339643	290333597	Call P/N	290337416	N/A
16K 220V 50Hz	293013059	239401033	290339643	290333360	4120040	290337417	290335055

EMERALD UNITS ALL SIZES & VOLTAGES	DRIER	LOW PRESSURE SWITCH I/O CONTROL	LOW PRESSURE SWITCH MECHANICAL CONTROL	HIGH PRESSURE SWITCH I/O CONTROL	HIGH PRESSURE SWITCH MECHANICAL CONTROL	TX VALVE	BASE VALVE DISCHARGE
6K-16k 115V-220V-230V	290000299	290000195	290000208	290000197	290000211	290000059	290330410

DEG UNIT BTU'S AND VOLTAGE	COMP. ASSEMBLY	COND. COIL ASSEMBLY	REVERSING VALVE	DUAL RUN CAP	COMP OVERLOAD/OVERLOAD KIT	BASE VALVE SUCTION	START ASSIST
----------------------------	----------------	---------------------	-----------------	--------------	----------------------------	--------------------	--------------

Emerald 6-16K Global

6K 115V 50-60Hz	298002101	239401032	290339646	290331475	290340777	290337416	290335055
8K 115V 50-60Hz	298002102	239401032	290339646	290331475	290340774	290337416	290335055
10K 115V 50-60Hz	298002103	239401032	290339646	290000123	298002183	290337416	290335055
12K 115V 50-60Hz	298002104	239401033	290339643	290000123	298002185	290337416	290335055
16K 115V 50-60Hz	298002105	239401033	290339643	290000123	290340775	290337417	290335055
6K 200-230V 50-60Hz	298002106	239401032	290339646	290341191	Call for P/N	290337416	290335055
8K 230V 50-60Hz	298002107	239401032	290339646	290333597	Call for P/N	290337416	290335055
10K 230V 50-60Hz	298002108	239401032	290339643	298001874	Call for P/N	290337416	290335055
12K 230V 50-60Hz	298002109	239401033	290339643	290333597	298002184	290337416	290335055
16K 230V 50-60Hz	298002110	239401033	290339643	290333026	290340774	290337417	290335055

REPLACEMENT PARTS TABLES

EMERALD UNITS ALL SIZES & VOLTAGES	DRIER	LOW PRESSURE SWITCH I/O CONTROL	LOW PRESSURE SWITCH MECHANICAL CONTROL	HIGH PRESSURE SWITCH I/O CONTROL	HIGH PRESSURE SWITCH MECHANICAL CONTROL	TX VALVE	BASE VALVE SUCTION
6K-16k 115V-220V-230V	290000299	290000195	290000208	290000197	290000211	290000059	290330410

EMERALD BTU'S AND VOLTAGE	COMP. ASSEMBLY	TITANIUM COND. COIL ASSEMBLY	RUN C ADAPTER	START CAPACITOR/ START ASSIST	TX VALVE	BASE VALVE DISCHARGE	BASE VALVE SUCTION
---------------------------	----------------	------------------------------	---------------	-------------------------------	----------	----------------------	--------------------

Emerald 24-48K

24K 230V 60Hz	298001922	298002126	290330855	290335055	290000143	290330416	298002253
30K 230V 60Hz	298001906	TBD	290330855	290000100	290000143	290330416	290337693
36K 230V 60Hz	298001905	341869 (x2)	290000121	290334214	290000144	290330416	290337693
48K 230V 60Hz	298002229	341869 (x2)	290331520	290000100	290000144	290330416	290337693
24K 220V 50Hz	298001904	298002126	290330855	290335055	290000143	290330416	298002253
30K 220V 50Hz	298001907	TBD	290000123	290000100	290000143	290330416	290337693
36K 220V 50Hz	298001917	341869 (x2)	290335364	290334214	290000144	290330416	290337693
48K 220V 50Hz	298001934	341869 (x2)	290335802	290334214	290000144	290330416	290337693

Contactors 3 Phase

24K 230V 60HZ 3PH	293600512	298002126	290334398	290000143	290330416	298002253
30K 230V 60HZ 3PH	298001935	TBD	290334398	290000143	290330416	290337693
36K 230V 60HZ 3PH	298001936	341869 (x2)	290334398	290000144	290330416	290337693
48K 230V 60HZ 3PH	293600515	341869 (x2)	290334398	290000144	290330416	290337693
24K 380V 50HZ 3PH	3000187*	298002126	290334398	290000143	290330416	298002253
30K 380V 50HZ 3PH	298002074	TBD	290334398	290000143	290330416	290337693
36K 380V 50HZ 3PH	298002066	341869 (x2)	290334398	290000144	290330416	290337693
48K 380V 50HZ 3PH	293600519	341869 (x2)	290334398	290000144	290330416	290337693
24K 460V 60HZ 3PH	298001937	298002126	290334398	290000143	290330416	298002253
36K 460V 60HZ 3PH	298002074	341869 (x2)	290334398	290000144	290330416	290337693
48K 460V 60HZ 3PH	298002066	341869 (x2)	290334398	290000144	290330416	290337693

EMERALD BTU'S AND VOLTAGE	DRIER	REVERSING VALVE	ACCUMULATOR	RECEIVER	START RELAY	START ASSIST	EMERALD UNITS	CIRCUIT BOARD
24K All Voltages	290000072	290339644	290333150	290331170	n/a	290335055	ED Units	223100500
36K All Voltages	290000072	290339644	290333150	290331170	290339860	n/a	EQ Units	298001896
48K All Voltages	290000072	290339645	290340299	290000226	290339860	n/a	DEU Units	223100508

TURBOVAP UNIT BTU'S AND VOLTAGE	BLOWER ASSEMBLY WITH CAPACITOR	LIST PRICE (USD)	BLOWER CAPACITOR	LIST PRICE (USD)
TURBOVAP				
4K 115V	298002038	\$425.00	290000080	\$31.00
6K 115V	298002038	\$425.00	290000080	\$31.00
8K 115V	298002027	\$500.00	290330750	\$32.00
10-12K 115V	298002029	\$545.00	290330669	\$32.00
14-16K 115V	298002031	\$610.00	290330750	\$32.00
4K 230V	298002026	\$425.00	290331103	\$27.00
6K 230V	298002026	\$425.00	290331103	\$27.00
8K 230V	298002028	\$535.00	290000094	\$31.00
10-12K 230V	298002030	\$545.00	290330670	\$31.00
14-16K 230V	298002032	\$610.00	290000095	\$31.00

EBE CAPACITY	VOLTAGE	BLOWER ASSEMBLY	HEATER	AUTO RESET OVERLOAD	MANUAL RESET OVERLOAD	CAPACITOR	TXV	DUCT ADAPTER
EBE EBHE	EBE EBHE	EBE EBHE	EBHE	EBHE	EBHE	EBE EBHE	EBE EBHE	EBE EBHE
6000	230V	Call for P/N	290000161	290330924	290000111	290331103	290000059	228700221
8000	230V	Call for P/N	290000161	290330924	290000111	290000094	290000059	228700211
10000	230V	Call for P/N	290000158	290330924	290000111	290330670	290000059	228700209
12000	230V	Call for P/N	290000230	290330924	290000111	290330670	290000059	228700209
16000	230V	Call for P/N	290000229	290330924	290000111	290000095	290000059	228700210
18000	230V	298002033	n/a	n/a	n/a	290000080	290000143	n/a
24000	230V	298002034	290000157 (X2)	290330924	290000111	290000119	290000143	n/a
30000	230V	298002034	290000157 (X2)	290330924	290000111	290000119	290000143	228700171
36000	230V	298002034	n/a	n/a	n/a	n/a	290000144	228700171

Note: 24/30K units use (2) 4200801 heaters

EBDE CAPACITY	VOLTAGE	TXV	BLOWER ASSEMBLY
---------------	---------	-----	-----------------

EBDE Replacement Parts Table

30K	230V	290000143	298002034
36K	230V	290000144	715212428
48K	230V	290000144	298000274
60K	230V	290341760	Call for P/N
72K	230V	290341760	Call for P/N
36K	220V	290000144	715212428
48K	220V	290000144	Call for P/N
60K	220V	290341760	Call for P/N
72K	220V	290341760	Call for P/N

DX SPARE PART LIST

LEGACY ITEM #	NEW ITEM #	DESCRIPTION	LIST PRICE (USD)
*Note: All blowers now come standard with insulation and capacitor			
298002026	4471002776	Blower 4-6K 220/230V - DTU6, CD3.5, ECD6, TV/TVE4-6, EBHE6, EBLE/EBLEP12	\$425.00
298002038	4471002962	Blower 5-6K 115V - VT6, ECD5, DTG6, TV/TVE4 & 6, EBLE12, , FA15/18	\$425.00
298002027	4471002777	Blower 6-8K 115V - DTG8, DTU8, VTD8, STH8, VC7, TV/TVE8, E6FD, EBLE/EBLEP16, FA3-6	\$500.00
298002028	4471002778	Blower 6-8K 230V - DTG8, DTU8, VTD8, TV/TVE8, E6FDZ, EBHE8, EBLE8, EHMB8, FA3-6C	\$535.00
298002029	4471002779	Blower 9-12K 115V - DTG10-12, DTU10-12, VTD10-12, VC10-12, ECD9-10, HSA16, TV/TVE10-12, PHD12, FA7.5 & 9	\$545.00
298002030	4471002780	Blower 9-12K 230V - DTG10-12, DTU10-12, VTD10-12, VC10Z-12Z, ECD10, HSA16, TV/TVE10-12, PHD12, FA7.5 & 9C	\$545.00
207500113	9108840255	Blower ECD10/2-2371 without Condenser	
298002031	4471002781	Blower 16K 115V - DTG16, DTU16, VTD16, VC16, ECD16, TV/TVE16, E12FD, FA12	\$610.00
298002037	4471002961	Blower 16K - 24K 115V - VC/SF18, E16-18, DCU18	\$610.00
298002032	4471002782	Blower 16K 230V - DTG16, DTU16, DCU30, VC16Z, ECD15-16, TV/TVE16, EBHE16, EBLE/EBLEP24-30, FA12	\$610.00
298002033	4471002783	Blower 18K 230V - SSA16, DCM18, EBLEP36, DCU18, EBE/EBHE18, EBLEP36, EBUL30-36, FA15/18C	\$630.00
298002034	4471002784	Blower 24-36K 230V - SHUF27, VCD24-27, DCU27, REU20-24, EBE24-36, EBDE30, EBHE24-30	\$870.00
291617061	291617061	Blower E16FDZ-HV 230V INS w/Capacitor	\$955.00
715212428	715212428	Blower EBDE36-230V w/cap	\$1,550.00
298000274	9610003202	Blower EBDE48-230V w/cap	\$2,890.00
239400063	239400063	Blower ECD/ECM 5K-HV, 115V	\$315.00
239400065	239400065	Blower ECD/ECM 10K-HV, 115V	\$395.00
239400067	239400067	Blower ECD/ECM 16K-HV, 115V	\$460.00
715210504	715210504	Blower REU4/5C 230V HIEFF	\$910.00
715212416	715212416	Blower REU4/5K 115V PLSTC HV	\$910.00
298001896	298001896	Board, Electric Retro Q-Logic>U-Control DX Board	\$485.00
223100500	223100500	Board, Module Retro Passport I/O to Unity	\$540.00
263400647	263400647	Board, Relay Retrofit Kit D-Relay A-284 40A 115/230V	\$135.00
263400645	263400645	Board, Relay Retrofit Kit Q/SMX w/Hardware	\$135.00
223100508	4471006446	Board, U-Control CW/DX	\$440.00
223100503	223100503	Board, U-Control CW/DX Network with Canbus *Replacements only	\$840.00
763100061	9108697567	Canbus adapter kit Q-Logic, DX & TW (does not include Q-Logic board)	\$620.00
222104002	222104002	Canbus to RS232 Serial Adapter Kit	\$1,340.00
290331103	290331103	Capacitor 2MFD wire 8MM Stud TV/EBE/EBHE4-6K 230V	\$27.00
290330670	290330670	Capacitor 3MFD wire 8MM Stud TV10-12K 230V, HSA16UKC, PHD12HVZ, EBHE12	\$31.00
290000094	290000094	Capacitor 4MFD wire 8MM Stud TV/RE/REU7-8K 230V, EBE/EBHE 6K 230V	\$31.00
290000095	290000095	Capacitor 5MFD wire 8MM Stud TV14-16K 230V, EBE/EBHE14-16K 230V	\$31.00
290000080	290000080	Capacitor 6MFD/400V TV4-6K 115V, EBE/EBHE/VCD 18K 220/230V	\$31.00
290000119	290000119	Capacitor 8MFD wire 8MM Stud RE/REU4-5K 115V, RE/REU24K 230V, EBE/EBHE18-30K, VCD27K	\$31.00
290330669	290330669	Capacitor 10MFD WIRE W/8MM STUD 250 TV10-12 RE/REU10,12 RE/REU30C, HSA16	\$32.00

LEGACY ITEM #	NEW ITEM #	DESCRIPTION	LIST PRICE (USD)
2052701	2052701	Capacitor 16MF RE/REU7, 8, 12 115V	\$31.00
290330750	290330750	Capacitor 16MFD WIRE W/8MM STUD 250 TV8K 14K & 16K 115V	\$32.00
290331027	290331027	Capacitor 20MFD WIRE W/8MM STUD 250 RE/REU16 115V, VCD18K 115V	\$34.00
290340786	4471008018	Capacitor DUAL 12MFD/2MFD 370V R410A TURBO/ECD 6K 220/230V	\$37.00
290340787	4471005943	Capacitor DUAL 20MFD/4MFD 440V R410A TURBO 8K 230V & 220V	\$37.00
290338293	4471000835	Capacitor DUAL 15MFD/3MFD 440V R410A TURBO 10K 230V & 220V	\$37.00
290340735	4471005275	Capacitor DUAL 60MFD/10MFD 370V R410A TURBO 12K 115V	\$49.00
290337047	290337047	Capacitor DUAL 45MFD/16MFD 370V R410A TURBO/ECD(M) 16K 115V	\$41.00
4040034	4040034	Capacitor DUAL 20MFD/2MFD 370V R417A TURBO 6K 220V	\$34.00
290000054	290000054	Capacitor DUAL 35MFD/6MFD 240V R410A & R417A TURBO/ECD(M) 6K 115V	\$41.00
290000066	290000066	Capacitor DUAL 35MFD/16MFD 250V R410A & R417A TURBO 8K 115V	\$40.00
290000055	290000055	Capacitor DUAL 40MFD/10MFD 250V R410A Turbo 10K & R417A Turbo 10-12K 115V	\$41.00
290000120	290000120	Capacitor DUAL 25MFD/3MFD 370V R417A TURBO 10K 220V	\$43.00
4040039	4040039	Capacitor DUAL 30MFD/16MFD 370V R417A TURBO 16K 115V	\$40.00
4040038	4040038	Capacitor DUAL 30MFD/4MFD 370V R417A TURBO 14-16, 230V 60 Hz	\$40.00
290340788	4471003769	Capacitor DUAL 50MFD/5MFD 370V R410A & R417A TURBO 16K 220-230V	\$49.00
290000101	290000101	Capacitor RUN 15MFD 400/440V SH/SX7, 7C, 10C, 12C, CSD(M)6-9K, EBDE72K	\$29.00
290333597	290333597	Capacitor RUN 20MFD/370V ED(M,Q)12K, R(X,Q)16C, SX16C, CSD(M) 12K 230V, ECD3.5	\$30.00
290333360	290333360	Capacitor RUN 25MFD/370V CSD(M)16K 220V, ED/EM16K 220V, R/SH/SX10-12 115V, SH/SX/R16CK 220V, Eskimo Ice	\$30.00
298001874	298001874	Capacitor RUN 25MFD/440V R(X)24	\$36.00
290000087	290000087	Capacitor RUN 30MFD/370V EM16K 230V, SH/SX24C, SHR/SXR10-16 all voltages, R20-24C	\$30.00
290331475	290331475	Capacitor RUN 35MFD/370V CSD(M)6-8K, ED(M)6,8,12 115V/EM24-30K 230V/EM24 220V /R16/R30C/R20-24CK	\$30.00
4041004	4041004	Capacitor RUN 4 MF 370V EBS16, EBS16C	\$41.00
290330855	290330855	Capacitor RUN 40MFD/370VAC Emeralds 10K 115V & 36K 230V, DCU27, SHR/SXR7-12, VCD27, SQUF27, CHCG20, R(N,Q,X) 30-36k, RM24K	\$45.00
290000121	290000121	Capacitor RUN 45MFD 370VAC 60HZ ED(M)16K, RM24CK, VCD18K 220/230V	\$35.00
290331523	290331523	Capacitor RUN 45MFD/440V EM30 220V	\$46.00
3100248.628	4040305	Capacitor RUN 5.0MFS/370V EBDE36K-48K 230V	\$31.00
290333026	290333026	Capacitor RUN 50MFD/370V RM30 220V, TWLC, CWMC	\$50.00
290000122	290000122	Capacitor RUN 55MFD/370V R48C, RM42C, FM42CK	\$41.00
290000123	290000123	Capacitor RUN 60 MFD 370VAC R(N,Q)48CK, CHCG24	\$60.00

DX SPARE PART LIST

LEGACY ITEM #	NEW ITEM #	DESCRIPTION	LIST PRICE (USD)
290334145	290334145	Capacitor RUN 80MFD/370V EQ72, TWC48 & 60, MCG60	\$55.00
290000124	290000124	Capacitor RUN 80MFD/440V RX,RQ 48, CWMC	\$115.00
290334214	290334214	Capacitor START 145-175/330V With Bleed Resistor EM36 230V & 220V, EM48 220V	\$125.00
290000126	290000126	Capacitor START 145-175/330V W/out Bleed Resistor EM24K, EM30K 230V, EM48K 220V	\$90.00
290000090	290000090	Capacitor START 145-175UF@250V W/BLE SH(N)24, R(X,N,Q) 20-36K	\$70.00
290332475	290332475	Capacitor START 161-193/330V w/Bleed Resistor EM30/36 220V	\$130.00
290335760	290335760	Capacitor START 189-227/250V DEU/EM30/60 R/RX20 230V	\$100.00
290330412	290330412	Capacitor START 21-25MFD/330V SH & SX7, 10, R/RX/RN,RQ 5,7,10, SQUF30, VECU18	\$40.00
290331733	290331733	Capacitor START 270-324/330V W/BR RM42CK / R48CK	\$105.00
298001296	298001296	Capacitor START 43-53 MFD 220V	\$50.00
290000105	290000105	Capacitor START 43-53 MFD. 330 VAC 60 (UL) CSD/CSM/SH/SX12C	\$60.00
290330559	290330559	Capacitor START 72-88MFD/330V W/BR all Stowaway V Rotary Compressors	\$65.00
290000100	290000100	Capacitor START 88-106 MR W/15 OHM SH/SX24C3 / SHSX24CK3 / R48C / RM24-30 / EM48 230V	\$60.00
3100236.235	3100236.235	Capacitor START VCD/DCU18K	\$11.00
290331235	4471000240	Coil, Cond CS12/16	\$570.00
239401048	239401048	Coil, Cond CS6 Painted	\$530.00
298002126	4471006326	Coil, Cond DEUX24 TITANIUM	\$1,990.00
239401032	239401032	Coil, Cond EM6-10K	\$430.00
239401033	239401033	Coil, Cond EM12-16K	\$570.00
239401041	239401041	Coil, Cond EM30K	\$1,385.00
239401015	239401015	Coil, Cond ST/ST6-8 W/EXT	\$475.00
239401016	239401016	Coil, Cond ST/ST10-12 W/EX	\$525.00
239401017	239401017	Coil, Cond ST/ST14-16 W/EX	\$560.00
293044033	293044033	Coil, Cond w/90 degree elbows SF7K	\$460.00
293044035	293044035	Coil, Cond w/90 degree elbows SF12K (Prior to 3/03)	\$530.00
293044036	293044036	Coil, Cond w/90 degree elbows SF16K (Prior to 3/03)	\$530.00
290333344	4471000237	Coil, Cond, 24M VC24	\$820.00
290333279	4471000221	Coil, Evap E9FD (order strainer/cap 298001764), SF10, VR/VH/VM 9, VC10 (Units built prior to March 2003)	\$490.00
298001359	298001359	Coil, Evap E12FD (order strainer/cap 332341), VC12,16 SF12,16 (Built prior to March 2003)	\$610.00
715210701	715210701	Coil, Evap RE/REU7	\$570.00
715210801	715210801	Coil, Evap RE/REU8	\$625.00
715211001	715211001	Coil, Evap RE/REU10	\$635.00
715211201	715211201	Coil, Evap RE/REU12	\$645.00
715211601	715211601	Coil, Evap RE/REU16	\$800.00
715212419	715212419	Coil, Evap RE/REU24	\$980.00

LEGACY ITEM #	NEW ITEM #	DESCRIPTION	LIST PRICE (USD)
239401006	239401006	Coil, Evap EBE24, SF24, VC24	\$755.00
298002203	4471007323	Coil, Evap Assy EBDE48 Vertical	\$2,500.00
239401027	239401027	Coil, Evap Turbo 6K R410A w/ Strainer and Cap Tube	\$500.00
239401028	239401028	Coil, Evap Turbo 8K R410A w/ Strainer and Cap Tube	\$500.00
239401010	239401010	Coil, Evap Turbo 8K w/ Strainer and Cap Tube	\$500.00
239401029	239401029	Coil, Evap Turbo 10K R410A w/ Strainer and Cap Tube	\$555.00
239401030	239401030	Coil, Evap Turbo 12K R410A w/ Strainer and Cap Tube	\$690.00
239401012	239401012	Coil, Evap Turbo 12K w/ Strainer and Cap Tube	\$560.00
239401031	239401031	Coil, Evap Turbo 16K R410A w/ Strainer and Cap Tube	\$765.00
239401014	239401014	Coil, Evap Turbo 16K w/ Strainer and Cap Tube	\$640.00
298002039	4471002995	Coil, Evap VCD/DCU27 w/ Strainer and Cap Tube	\$745.00
290339662	290339662	Coil, Solenoid 115V LDK-310000 SH/SX10-16 / SHR/SXR10-16 / R10-16 (Nov. '04 to Jan '17)	\$30.00
290339663	290339663	Coil, Solenoid 115V LDL-31-120 Turbo 6-16K (Jun. '07 to Jan '17)	\$28.00
4071501	4071501	Coil, Solenoid 115V SH/SX7 / SHR/SXR7 / R5 / R7	\$31.00
290000218	4471000218	Coil, Solenoid 24V LDK11 48"	\$28.00
293045684	293045684	Compressor CSD, R(Q,X) 12K 240 w/Tube and Drier	\$1,130.00
239402016	239402016	Compressor 220V SF18CK/2	\$1,025.00
293045614	293045614	Compressor 230V SF10C (built thru Feb. '03)	\$870.00
239402011	239402011	Compressor 230V SF12C/2	\$865.00
3019137	3019137	Compressor H22 36K 380/50/3 460/60/3 R36ECK	\$2,065.00
293045053	293045053	Compressor Painted 115V 16K R417A VR/CHC16T	\$910.00
298001574	298001574	Compressor 230V RM24C	\$2,625.00
298001553	298001553	Compressor Painted 230/60/1 RM30C	\$3,505.00
293045012	293045012	Compressor Painted CS/VH16Z50 replaces 293045674 serial #s after 43497928 and dated after 08/28/14	\$1,115.00
293013053	293013053	Compressor Painted EM6-8K 220 & 8K 230V w/Grommets and Sleeves	\$755.00
293013048	293013048	Compressor Painted EM8K 115V w/Grommets and Sleeves	\$755.00
293013049	293013049	Compressor Painted EM10K 115V w/Grommets and Sleeves	\$780.00
293013057	293013057	Compressor Painted EM10K 220V w/Grommets and Sleeves	\$780.00
293013054	293013054	Compressor Painted EM10K 230V w/Grommets and Sleeves	\$780.00
293013050	293013050	Compressor Painted EM12K 115V w/Grommets and Sleeves	\$795.00
293013058	293013058	Compressor Painted EM12K 220V w/Grommets and Sleeves	\$795.00
293013055	293013055	Compressor Painted EM12K 230V w/Grommets and Sleeves	\$795.00
298001904	298001904	Compressor Painted EM24S 2251	\$2,065.00
298001922	298001922	Compressor Painted EM24S 2361	\$2,065.00
293600512	293600512	Compressor Painted EM24 230/60/3 w/Grommets and Sleeves	\$2,525.00
298001907	298001907	Compressor Painted EM30S 2251	\$2,435.00
298001906	298001906	Compressor Painted EM30S 2361	\$2,435.00
298001917	298001917	Compressor Painted EM36S 2251	\$2,435.00

DX SPARE PART LIST

LEGACY ITEM #	NEW ITEM #	DESCRIPTION	LIST PRICE (USD)
298001905	298001905	Compressor Painted EM36S 2361	\$2,435.00
293600514	293600514	Compressor Painted EM36 230/60/3 w/Grommets and Sleeves	\$2,600.00
293600519	293600519	Compressor Painted EM48 380/50/3 w/Grommets and Sleeves	\$2,735.00
293045658	293045658	Compressor Painted R3101-10T 115V 10K R417A SLX/SN/SX/R/RX/RN/RQ	\$1,030.00
293045648	293045648	Compressor Painted R3102-10T 230V 10K R417A CS/SLX/SX/RX/RN/RQ	\$1,105.00
293045646	293045646	Compressor Painted R3102-12T 230V 12K R417A CS/SX/SLX/RX/RN/RQ/RSC	\$1,115.00
293045655	293045655	Compressor Painted R3140-12S 115V 12K R417A SLX/SNR/SXR	\$950.00
293045673	293045673	Compressor Painted R3142-16S 240V 16K R417A SX/HSA/VC/VT/ST	\$1,010.00
298001186	298001186	Compressor Painted ZP21K5E 2361 410 27K units	\$2,170.00
298001908	298001908	Compressor Painted R/CS 24T-2631	\$2,005.00
298001914	298001914	Compressor Painted R/CS 30T-2361	\$2,025.00
298001712	298001712	Compressor R48DC 230/60/3	\$4,030.00
298002108	4471006126	Compressor Painted ROT 10K 230V ECD	\$710.00
239402071	4471002767	Compressor DTG6-410-2371 with Overload and Hardware	\$545.00
239402067	4471002763	Compressor DTG8-410-1171 with Overload and Hardware	\$545.00
239402072	4471002768	Compressor DTG8-410-2371 with Overload and Hardware	\$545.00
239402068	4471002764	Compressor DTG10-410-1171 with Overload and Hardware	\$560.00
239402077	4471006907	Compressor DTG12-410-1171 with Overload and Hardware	\$565.00
239402074	4471002770	Compressor DTG12-410-2371 with Overload and Hardware	\$565.00
239402070	4471002766	Compressor DTG16-410-1171 with Overload and Hardware	\$710.00
239402075	4471002771	Compressor DTG16-410-2371 with Overload and Hardware	\$710.00
239402048	239402048	Compressor VT6/8K-410 220/50 W/OVRLD	\$695.00
239402044	239402044	Compressor VT6K-410 115V W/OVRLD	\$665.00
239402046	239402046	Compressor VT8K-410 115V W/OVRLD	\$665.00
239402047	239402047	Compressor VT8K-410 230V W/OVRLD	\$680.00
239402049	239402049	Compressor VT10K-410 115V W/OVRLD	\$680.00
239402050	239402050	Compressor VT10K-410 230V W/OVRLD	\$695.00
239402030	239402030	Compressor VT12K 220V w/Overload and Hardware	\$780.00
239402052	239402052	Compressor VT12K-410 115V W/OVRLD	\$690.00
239402054	239402054	Compressor VT12K-410 220/50 W/OVRLD	\$710.00
239402053	239402053	Compressor VT12K-410 230V W/OVRLD	\$710.00
239402036	239402036	Compressor VT16K 220V with Overload and Hardware	\$980.00
239402060	239402060	Compressor VT16K-TECH 115V with Overload and Hardware	\$880.00
298001516	298001516	Compressor DCU27 2251	
701842482	701842482	Condenser RM42 R48 Heat Pump	\$2,015.00
290000241	4471000331	Condenser R-TYPE 20-24K	\$1,010.00
220300176	9108750410	Condenser Seawater Manifold 2SM PNTD "U" 3/4" FPT IN 2@5/8"	\$165.00
290000321	4471003266	Contactora, 30A 3P 240V All R type units 24K-48K	\$210.00
290331551	4471000193	Contactora, 40A 2P 240V Emerald 48K, 60K, RX48K	\$115.00

LEGACY ITEM #	NEW ITEM #	DESCRIPTION	LIST PRICE (USD)
290334398	4471000189	Contactora, 40A 3P 240V Emerald 24K-48K	\$160.00
290000212	4471000185	Control HI PSI CO425 CI275 all Turbo R417A Mechanical	\$59.00
290000196	4471000141	Control HPS CO425 CI325UL all Turbo R417A Digital	\$58.00
290000197	4471000144	Control HPS 575PSI R410A 1/4" F all Turbo R410A Digital	\$56.00
290000211	4471000182	Control HPS CO575 CI400 1/4" FF all Turbo R410A Mechanical	\$58.00
290000195	4471000140	Control LPS 60-75 +/-5 Emeralds R410A 6-16K Digital	\$58.00
290000194	4471000139	Control LPS 78-92 1/4FL 1/4QD (78psi) R410A	\$69.00
290000193	4471000137	Control LPS CO27 CI45 (UL) R417A, R407C (27psi)	\$52.00
290000208	290000208	Control LPS CO60 CI90 1/4" F FL Emeralds R410A 6-16K Mechanical	\$55.00
291603723	291603723	Drain Pan Assembly CS6-16	\$220.00
298002263	4471008636	Drain Pan SVC18/1-SS 2003+	\$430.00
291049008	291049008	Drain Pan Mounting Kit VC/SF 6-16	\$36.00
291049013	291049013	Drain Pan Mounting Kit VC24/SF24/VH24	\$36.00
290339944	290339944	Drain Pan Mounting Kit VT6-16	\$89.00
298002198	4471007300	Drain Pan Plastic Turbo DT6-8K/TX10	\$205.00
298002199	4471007302	Drain Pan Plastic Turbo DT16K/TX18	\$205.00
239300023	239300023	Drain Pan w/ Isolator Pads Turbo 10-12K	\$215.00
239300039	239300039	Drain Pan w/ Isolator Pads TV10-12	\$110.00
239300040	239300040	Drain Pan w/ Isolator Pads TV16	\$115.00
290000072	290000072	Drier, Filter R410A 2-6T BIFLO Emerald 24K-48K	\$110.00
290000299	4471000733	Drier, Filter R410A Emerald 6K-16K	\$85.00
226600094	9108750550	ECD Dual Duct Kit 6K 3" Ins	\$220.00
226600092	9108549923	ECD Dual Duct Kit 10K & 16K	\$210.00
218000106	9108732761	ECD Install Kit 6K	\$1,465.00
218000110	9108732760	ECD Install Kit 10K	\$1,550.00
218000116	9108732758	ECD Install Kit 16K	\$1,640.00
218000117	9108844180	ECD Install Kit 16KZ	\$1,675.00
298001802	298001802	ECD16K Electric Box Assy 1161 410A	\$705.00
290335498	4471000728	Fuse 1/4AMP 250V (automotive type), A-281C SMX II Board w/ Heat Sink Plate	\$20.00
290000157	290000157	Heater Rect. 1.5KW 240V 25FIN 3Element EBHE24-30K	\$160.00
290000158	290000158	Heater Rect. 1.5KW 240V 25FIN EBHE10K	\$160.00
290000161	290000161	Heater Rect. 1KW 240V 25FIN EBHE6-8K	\$165.00
290000229	4471000307	Heater Rect. 2KW 240V 25FIN 3Element EBHE16K	\$150.00
290000230	4471000309	Heater Rect. 2KW 240V 25FIN EBHE12K	\$150.00
335574	335574	Overload 115V SF12-1 (built from Mar. '03)	\$38.00
290332855	290332855	Overload 12K 115V RK5510E (SHR,SXR12 & SF12 built thru Feb. '03)	\$38.00
290331404	290331404	Overload 16K 115V/AK8515 (SH,SX16, R16)	\$45.00
332859	332859	Overload 16K 220V RK5515E (SF16C, Turbo 16K 220V)	\$38.00
331405	331405	Overload 16K 220V/AKA8515EXD	\$40.00

DX SPARE PART LIST

LEGACY ITEM #	NEW ITEM #	DESCRIPTION	LIST PRICE (USD)
335575	335575	Overload 220V SF12CK-1 (built from Mar. '03)	\$38.00
331406	331406	Overload 6K 115V/AE5465E (SH,SX7)	\$42.00
332849	332849	Overload 7K 115V RG5467E	\$38.00
332852	332852	Overload 9/10 115 RK5480E	\$38.00
4120007	4120007	Overload MRA-12370-117..30299 R417A 115V Turbo 12K, VC12K/2, VR12K/2, SXF12/2	\$32.00
290000110	290000110	Overload MRA-12371-729..30299	\$29.00
290000323	4471003339	Overload MRA-12372-729..30299	\$25.00
335573	335573	Overload MRA-38126-113..30299	\$38.00
4120040	4120040	Overload MRA98533-325 14Z-Z50	\$32.00
4120038	4120038	Overload MRA98706-325 10K	\$32.00
290000236	4471000321	Overload MRA98768 16K-230V	\$32.00
4120009	4120009	Overload MRA98856 7K-230V	\$32.00
4120008	4120008	Overload MRA98866-325 7K-115V	\$32.00
4120039	4120039	Overload MRA99052-325 10KZ	\$32.00
290000234	4471000318	Overload MRB5812-807 16K 115V	\$32.00
298000020	4471007110	Overload Kit 18K 2371 RCH	\$40.00
44700	44700	Overload Old Copeland 30101-16	\$170.00
4120061	4120061	Overload TECUMSEH 8300MRAT71	\$43.00
4120060	4120060	Overload TECUMSEH 8300MSPT89	\$60.00
4120057	4120057	Overload TECUMSEH 8300MSTH34	\$40.00
4120062	4120062	Overload TECUMSEH 8300MSTT72	\$32.00
290330924	290330924	Overload Therm 140° Auto Reset	\$49.00
290000111	290000111	Overload Therm 180° Manual Reset	\$60.00
334173	334173	Overload*1.8-2.7A	\$260.00
334172	334172	Overload*8-12A	\$260.00
290336573	290336573	Overload, 2.5-4A use with 40 Amp Contactor	\$115.00
224110091	9108549718	Pump Relay, 2-6 PRP circuit board & thermal compound packet	\$355.00
290331170	290331170	Receiver, Bi-Flow CS6K - CS36K & Emeralds 24-36K	\$235.00
290000226	4471000291	Receiver, Bi-Flow Emeralds 48K all voltages	\$445.00
4134902	4134902	Relay DPDT 230V 30 Amp	\$125.00
290339711	290339711	Relay PC Board A-550	\$130.00
290331269	4471000286	Relay Potential JPR 65	\$105.00
4128010	4128010	Relay Potential JPR 66	\$205.00
290000220	4471000246	Relay Solid State 75 amp	\$365.00
298001157	298001157	Relay Start Ign Protected (R30CK)	\$160.00
298001141	298001141	Relay Start Ign Protected (R48CK)	\$190.00
298001216	298001216	Relay Start Ign Protected GE3ARR3T1 (R20/36CK)	\$265.00
290339860	290339860	Relay Start Motor UMSR50	\$110.00

LEGACY ITEM #	NEW ITEM #	DESCRIPTION	LIST PRICE (USD)
TR115	TR115	Relay Trigger 115V	\$115.00
TR230	TR230	Relay Trigger 230V	\$115.00
4146400	4146400	Resistor 56K OHM 2 Watt	\$1.42
290000020	290000020	Resistor 7.5K OHM 10W all RM units	\$27.00
701820243	701820243	Reversing Valve Assy A-509C R10-16	\$705.00
701820242	701820242	Reversing Valve Assy A-511B SH/SX10-16	\$705.00
290339646	290339646	Reversing Valve Assy Emeralds 6K-10K all voltages	\$90.00
290339643	290339643	Reversing Valve Assy Emeralds 12-16K all voltages, VCD18-27K	\$90.00
290339644	290339644	Reversing Valve Assy Emeralds 24K-36K all voltages	\$90.00
290339645	290339645	Reversing Valve Assy Emeralds 48K all voltages	\$155.00
701830360	701830360	Reversing Valve Assy R30/36	\$685.00
701820246	701820246	Reversing Valve Assy R48 Straight Tube	\$685.00
239100071	239100071	Reversing Valve Assy Turbo 6-8K 115V w/Solenoid	\$375.00
239100072	239100072	Reversing Valve Assy Turbo 6-8K 220/230V w/Solenoid	\$375.00
239100073	239100073	Reversing Valve Assy Turbo 10-12K 115V w/Solenoid	\$390.00
239100074	239100074	Reversing Valve Assy Turbo 10-12K 220/230V w/Solenoid	\$390.00
239100075	239100075	Reversing Valve Assy Turbo 14-16K 115V w/Solenoid	\$410.00
239100076	239100076	Reversing Valve Assy Turbo 14-16K 220/230V w/Solenoid	\$410.00
263400941	9108920127	SMX Control, Kit DAHC HV COS 10' Air Snsr Remote Box w/ Hrns	\$880.00
705600010	705600010	SMXII Control, Retrofit A-284, P/L Box w/ HV Board A-288C (3-knob), 115/230V	\$615.00
705600011	705600011	SMXII Control, Retrofit NET Board to U Board, 115/230V	\$750.00
290335055	290335055	Start Assist. 370HM PTCR Emeralds 16K	\$33.00
297000050	297000050	Switch High Pressure A-200, Line Duty, R417A/R22	\$120.00
297000048	297000048	Switch High Pressure A-205, R417A/R22	\$60.00
297000047	297000047	Switch Low Pressure A-201, R417A/R22	\$120.00
297000012	297000012	Tee Assembly High Pressure, high amperage, R417A/R22	\$185.00
297000014	297000014	Tee Assembly High Pressure, low amperage	\$185.00
297000013	297000013	Tee Assembly Low Pressure, high amperage, R417A/R22	\$200.00
290000182	4471000108	Thermostat Anticipating Heat and Cool, SA3/SSA3/DSA	\$155.00
290332704	4471000718	Thermostat Anticipating *Cool Only, C12-5187	\$120.00
290330417	290330417	Valve, Base 1/2F X 1/2S B	\$165.00
290330410	290330410	Valve, Base 1/4F X 1/4S B	\$120.00
290330416	290330416	Valve, Base 3/8F X 3/8S B	\$140.00
290330694	290330694	Valve, Base 5/8F X 5/8S B	\$190.00
298002253	4471008412	Valve, Base 5/8F X 5/8S LEFT	\$140.00
290337693	290337693	Valve, Base 3/4F X 3/4S LEFT	\$155.00
290000059	290000059	Valve, TXV R410A w/Internal Check Valve Emerald 6K-16K	\$285.00
290000143	290000143	Valve, TXV R410A 2T w/Internal Check Valve Emerald 24-30K & R410A Evaps 18-30K	\$270.00
290000144	290000144	Valve, TXV R410A 3T w/Internal Check Valve Emerald & R410A Evaps 36-48K	\$295.00
290341760	9610004035	Valve, TXV R410A 5T, 3/8"X	\$300.00

AU/ATL TABLES

HVZ CAPACITY	VOLTAGE	BLOWER	COIL ASY	CAPACITOR	MOUNT RING	BREATHE EASY BULB
6K	230V	298002028	298001950	290000098	228700211	290000295
9K	230V	298002030	298001675	290000104	228700209	290000295
12K	230V	298002032	298001675	290000102	228700209	290000295
18K	230V	298002033	298001881	290000061	228700210	4210827
24K	230V	298002034	264400089	290000118	228700215	4210827

DCZ CAPACITY	VOLTAGE	BLOWER	COIL *RAW	CAPACITOR	MOUNT RING	BREATHE EASY BULB
6K	230V	264400135	298001950	N/A	228700211	290000295
9K	230V	264400136	298001675	N/A	228700209	290000295
12K	230V	264400091	298001675	N/A	228700209	290000295
18K	230V	264400090	298001881	N/A	228700210	4210827
24K	230V	264400137	264400089	N/A	228700215	4210827

CAPACITY	VALVE 3 WAY	1KW HEATER	1.5KW HEATER	HIGH LIMIT OVERLOAD	LOW LIMIT OVERLOAD	UV LIGHT
----------	-------------	------------	--------------	---------------------	--------------------	----------

AU/AU-EU Air handlers - All Capacities and Voltages where applicable

6K - 24K	290000134	290000160	290000157	290000063	290330924	290000266
----------	-----------	-----------	-----------	-----------	-----------	-----------

CAPACITY	VOLTAGE	BLOWER	CAPACITOR	COIL/COIL ASSY	MOUNT RING	3-WAY VALVE
----------	---------	--------	-----------	----------------	------------	-------------

ATL HVZ

6K	230V	298002028	290000098	298001951	228700209	290000134
9K	230V	298002030	290000104	298001951	228700209	290000134
12K	230V	298002028	290000104	290000344	228700209	290000134
18K	230V	298002030	290000104	290000344	228700209	290000134
24K	230V	298002034	290000118	290360220	228700215	290000134
36K	230V	298002033	290000061	330898*	228700215	290000134

CAPACITY	VOLTAGE	BLOWER	CAPACITOR	COIL	MOUNT RING	3-WAY VALVE
----------	---------	--------	-----------	------	------------	-------------

ATL DCZ

6K	230V	290000019	N/A	298001951	228700209	290000134
9K	230V	290000019	N/A	298001951	228700209	290000134
12K	230V	290000019	N/A	290000344	228700209	290000134
18K	230V	290000019	N/A	290000344	228700209	290000134
24K	230V	290000024	N/A	290360220	228700215	290000134
36K	230V	290000024	N/A	330898*	228700215	290000134

* raw part

	VOLTAGE	HIGH LIMIT SWITCH	LOW LIMIT SWITCH	UV BALLAST	HEATER 1KW	HEATER 1.5KW
All Capacities	230V	290000063	290330924	290000266	290000160	290000157

LEGACY ITEM #	NEW ITEM #	DESCRIPTION	LIST PRICE (USD)
290334275	4471000208	Adapter, SW Manifold, 5/8 x 1/2MPT	\$29.00
*Note: All blowers now come standard with insulation and capacitor			
298002026	4471002776	Blower 4K HVZ 230V - AT4	\$425.00
298002027	4471002777	Blower 6-12K HV 115V - AH6DT2, AT6, ATL6K & ATL12K (2 per unit 12K), FA3-6	\$500.00
298002028	4471002778	Blower 6-8K HVZ 230V - AU6, AT12-MU, AT18-MU, FA3-6C	\$535.00
298002029	4471002779	Blower 9-12K HV 115V - AH9DT2, AT9, ATL9K & ATL18K HV 115V (2 per unit 18K), FA7.5 & 9	\$545.00
298002030	4471002780	Blower 9K HVZ 230V - AU9 and AT9, FA7.5 & 9C	\$545.00
298002031	4471002781	Blower 12-16K HV 115V - AH12DT2, VH16, AT12	\$610.00
298002032	4471002782	Blower 16K HVZ 230V - AU12, AT12, ABL24	\$610.00
298002033	4471002783	Blower 18K HVZ 230V - AU18K, AT18, AH16-18DT2Z, AT24	\$630.00
298002034	4471002784	Blower 24-36K HVZ 230V - AU24, AT36, AH24DTZ	\$870.00
264400135	264400135	Blower AU6DCZ 5"MR 230V	\$1,840.00
264400136	264400136	Blower AU9DCZ 6"MR 230V	\$1,880.00
264400091	264400091	Blower AU12DCZ 6"MR 230V	\$2,015.00
264400090	264400090	Blower AU18DCZ 7"MR 230V	\$2,015.00
264400137	264400137	Blower AU24DCZ 8"MR 230V	\$2,180.00
264400008	264400008	Blower AT4FZ 4"MR 230V	\$530.00
293042093	293042093	Blower INS AH24DT(Z)/FD(Z) 8MR, 115V/230V	\$1,800.00
293042086	293042086	Blower INS AH4FDZ 4"MR, 230V	\$590.00
291617014	291617014	Blower INS AH6DT2Z, AT6HVZ W/CAP, 230V	\$645.00
291617011	291617011	Blower INS AH9DT2Z, AT9HVZ W/CAP, 230V	\$840.00
291617006	291617006	Blower INS AH12DT2Z W/CAP, 230V	\$935.00
291617001	291617001	Blower INS 16-18, FDHVZ, DT2Z HV W/CAP 230V	\$780.00
264400021	264400021	Blower AT6DC 5"MR 230V	\$1,735.00
264400020	264400020	Blower AT9DC 6"MR 230V	\$1,735.00
264400019	264400019	Blower AT12DC/ABL24DCZ 6"MR 230V	\$1,910.00
264400018	264400018	Blower AT18DC 7"MR 230V	\$1,880.00
264400017	264400017	Blower AT24DCZ 8"MR 230V	\$2,015.00
264400016	264400016	Blower AT36DCZ 8"MR 230V	\$2,260.00
264400023	264400023	Blower AT18DC-MU 7"MR 230V	\$1,935.00
264400024	264400024	Blower AT24DCZ-MU 8"MR 230V	\$2,185.00
264400025	264400025	Blower AT36DCZ-MU 8"MR 230V	\$2,250.00
290000019	290000019	Blower ATL6-18K DCZ 230/50-60/1 (2 per unit 12K and 18K)	\$1,630.00
290000024	290000024	Blower ATL24-36K DC-E 230/50-60/1 (2 per unit 36K)	\$1,765.00
298002037	4471002961	Blower ATL24-36K HV 115V (2 per unit)	\$610.00
264400065	264400065	Breathe Easy Retrofit Kit AU6-12	\$580.00
264400066	264400066	Breathe Easy Retrofit Kit AU18-24	\$605.00
4210827	4210827	Bulb Breathe Easy 18-24K	\$150.00
290000295	4471000713	Bulb Breathe Easy 6-12K	\$136.00

CW SPARE PARTS LIST

LEGACY ITEM #	NEW ITEM #	DESCRIPTION	LIST PRICE (USD)
763100061	9108697567	Canbus Adapter Board Q-Logic Networks	\$620.00
290000104	290000104	Cap, 3 mfd with spades 9K HVZ 230V - AT, ATL, ABL18, AU	\$26.00
290000098	290000098	Cap, 4 mfd with spades AT6,12,18,24HVZ 230V	\$26.00
290000102	290000102	Cap, 5 mfd with spades 12K HVZ 230V - AT, ATV, ABL24, AU	\$26.00
290000061	290000061	Cap, 6 mfd with spades 18K-24K HVZ 230V AT, ATL36, ATV, AU	\$26.00
290000118	290000118	Cap, 8 mfd with spades 24K & 36K HVZ 230V - AT, ATL, ATV, AU	\$26.00
290000079	290000079	Cap, 10 mfd with spades 9K & 12K HV 115V - AT, ATL, ATV, AU	\$44.00
290330750	290330750	Cap, 16 mfd with spades 6K & 12K HV 115V - AT, ATV, AU	\$32.00
290000301	4471000811	Cap, 20 mfd with spades 18K-24K 115V HV - AT, ATL, AU	\$31.00
290331103	290331103	Cap, 2 mfd Fan Run Capacitor AH4FDZ-HV	\$27.00
290333345	290333345	Cap, 5 mfd Fan Run Capacitor AH6, 9, 12, 18, 24	\$28.00
298001950	298001950	Coil Asy w/3-way valve AU6K	\$910.00
298001675	298001675	Coil Asy w/3-way valve AU9-12K	\$1,055.00
298001881	298001881	Coil Asy w/3-way valve AU18K	\$1,170.00
264400089	264400089	Coil Asy w/3-way valve AU24K	\$1,320.00
298001951	298001951	Coil Asy ATL6-9 w/flow control, bleeder valve	\$1,425.00
290000344	4471006825	Coil only ATL12-18	\$570.00
290360220	4471000227	Coil only ATL18-24	\$870.00
290336556	4471000188	Contactora, 40A 3P 240V CWMC, TWLC	\$145.00
290336557	290336557	Contactora, 40A 3P 24V COIL	\$165.00
223100508	4471006446	Board, U-Control CW/DX	\$440.00
223100503	223100503	Board, U-Control CW/DX Network	\$840.00
297000044	297000044	Control, A-4215, Rotary Fan Speed, 115V	\$145.00
297000046	297000046	Control, A-4216, Rotary Fan Speed 230V	\$145.00
290000201	4471000149	Control DDC, new dual voltage 115/230V (replaces 333647 & 333576)	\$810.00
290000200	4471000148	Control, DDC 2-Speed 115/230V	\$850.00
263600170	9108717866	Control, Repl Kit CWMC with new rev H board and mounting plate	\$935.00
290000203	4471000151	Control, CWMC new rev H (this replaces part number 334618)	\$855.00
263401116	4471006418	Control, TWLC Board-Rev C	\$1,065.00
290000293	4471000711	Control, DC Converter Board Universal	\$195.00
297000043	297000043	COS, Changeover T-STAT with Spring	\$125.00
763300034	9108562971	EPROM Repl Chiller MPE board	\$60.00
263600104	263600104	Harness 1-Stage DDC Remote Switch, 25ft	\$435.00
263600107	263600107	Harness 2-Stage DDC Remote Switch, 25ft	\$570.00
263600108	263600108	Harness 3-Stage DDC Remote Switch, 25ft	\$730.00
263600114	263600114	Harness 4-Stage DDC Remote Switch, 25ft	\$890.00
290000148	290000148	Harness, MTD Secondary LPS, no solenoid coil, no flow switch reed	\$495.00
290000161	290000161	Heat Element AT's, rectangular, 1KW, 240V	\$165.00
290000155	290000155	Heat Element AT's, rectangular, 1 5KW, 120V	\$160.00

LEGACY ITEM #	NEW ITEM #	DESCRIPTION	LIST PRICE (USD)
290000158	290000158	Heat Element AT's, rectangular, 1.5KW, 240V	\$160.00
290000230	4471000309	Heat Element AT's, rectangular, 2KW, 240V	\$150.00
290000160	290000160	Heater 1KW	\$150.00
290000157	290000157	Heater 1.5KW	\$160.00
290000270	4471000638	Knob Black Mylar	\$26.00
228700211	9610000010	Mount Ring 5" 6K	\$27.00
228700209	9610000008	Mount Ring 6" 9-12K	\$28.00
228700210	9610000009	Mount Ring 7" 18K	\$31.00
228700215	9610000022	Mount Ring 8" 24K	\$65.00
290330924	290330924	Overload Thermal, Auto-reset, 140F (PHD & all CW AHs, including FAMU's)	\$49.00
290000063	290000063	Overload Thermal, Man-reset, 240F (AT, ABL, ATL, ATV)	\$85.00
290337488	4471000082	Power Supply 115/230-24VDC 4.2A	\$205.00
222130320	4471003261	Sensor Hydro/XTC SRV 20' cable	\$55.00
297000051	297000051	Sensor Temp, repl A-415, A-350 Controls (MPA units)	\$195.00
222103015	4471005691	Sensor Temp, TWLC (MPE) and Ranco ETC (MPC)	\$125.00
290000177	4471000099	Switch, 3 Position, Rotary, SA1/SA3/SSA3/DSA	\$130.00
290000178	4471000100	Switch, 2 Position, Rotary 2-Speed Fan	\$105.00
290333708	4471000720	Switch Rocker used with CHC DDC, 10A SPDT	\$21.00
290332025	4471000091	Switch Flow (V10), Brass Body with Reed Switch	\$245.00
290000172	4471000090	Switch Flow Black Plastic (not interchangeable with 332025 switch above)	\$285.00
297704439	297704439	Switch Flow A-400 with Resistor, Cut Paddle	\$330.00
297704443	297704443	Switch Flow A-403 Repl Reed with Resistor #1061700	\$160.00
290333361	4471000719	Switch Reed V10 Flow Switch 332025	\$140.00
290000302	4471001044	Timer Delay (delay on make 18-240VAC)	\$55.00
290332501	290332501	Transformer, 380VAC primary/240VAC secondary	\$265.00
290000266	4471000609	UV Light Small White AU	\$145.00
335168	335168	Valve, Actuator only, Erie "Pop-Top"™, 115V	\$197.00
335169	335169	Valve, Actuator only, Erie "Pop-Top"™, 230V	\$197.00
333837	333837	Valve, 3-way & actuator, 115V, 3/4" IFL, Erie "Pop-Top"™	\$430.00
290000069	290000069	Valve, 3-way & actuator, 115V, 1/2" sweat, repl Erie "Pop-Top"™ & Sinro (Plastic)	\$365.00
290000134	290000134	Valve, 3-way & actuator, 230V, 1/2" sweat, repl Erie "Pop-Top"™ & Sinro (Plastic)	\$365.00
290335808	290335808	Valve, 3-way & actuator, 230V, 1" sweat, Erie "Pop-Top"™	\$740.00
291613033	291613033	Valve, 40" Water Bleeder Asy w/Nylon Tube & Elbow Fitting	\$110.00
332063	332063	Valve, Motor Only 3-way, 115V (see note)	\$175.00
332002	332002	Valve, Motor Only 3-way, 230V (see note)	\$185.00

Notes:

1. Sinro valves and replacement parts are no longer available. The motors listed above CAN be used on Sinro AND Erie valves. If the motor alone will not suffice, then replace a Sinro valve with the appropriate voltage of the SWEAT Erie valve. DO NOT attempt to replace a Sinro with an IFL Erie valve. Refer to 2009 Field Notice 294-K09 for more information.
2. Actuator Note: Erie IFL and sweat valves use the same Erie actuator.
3. Sizing Note: 1/2" sweat valves fit 5/8" od copper tubing. 3/4" IFL (internal flare) valves fit flared 5/8" od copper tubing. 1" sweat fits 1-1/8" od copper tube.
4. Erie/Invensys/TAC Note: Erie, Invensys, and TAC are different names for the same valve manufacturer and same valves.
5. Motor Only Note: "Motor Only" part numbers require the actuator to be opened and the motor itself replaced. This is not an easy operation, especially if the air handler is installed. We recommend replacing the entire actuator instead.

EXCEPTION: If you have a Sinro valve, it is easier to replace the motor than to replace the entire valve. Air handlers built before 2000 may not have removable actuators. In that case, replacing the motor may be preferable to replacing the entire valve.

CW SPARE PARTS LIST

LEGACY ITEM #	NEW ITEM #	DESCRIPTION	LIST PRICE (USD)
CWMC-OTS Electric Boxes			
(Chilled Water Master Control "Off the Shelf")			
This electric box can be used with 2 to 6 stage mcw chillers with ddc controls as either a field retrofit (see notes below) or it can be ordered with a new chiller. The box contains the cwmc circuit board, sw & cw pump Contactors (and overloads if 3 ph), a terminal block pump & power connections, and the cwmc display in the lid. Circuit breakers are not included.			
263600141	9108552304	Single phase CWMC-OTS box with two 230VAC pump contactors.	\$2,525.00
263120361	9600002054	CWMC Display, Black 2	\$800.00
Notes:			
1. Box dimensions: Standard is 14"Hx12"Wx4.7"D, add 1 or 2 pumps and dimensions are 11"H x 15" W x 4.7"D.			
2. Need to specify 3 phase pump volts & amps and/or horsepower when ordering 3 phase boxes.			
3. 380-460VAC power supplied chillers should use the 230VAC pump contactor OTS boxes.			
4. Communication cables and water sensors can be found on page 45.			

PRODUCT CANCELLATION POLICY

Dometic manufactures a broad range of products that are made available to our extensive customer base in two distinct categories:

1. The Majority of our sales volume is derived from products that are ordered on a consistent basis and therefore are placed into our Stocking Profile Matrix (SPM). These items are classified as Standard/Stock because we generally have multiple customers for like items and we produce these products on a continuous basis.

2. We also offer for sale, a wide variety of products that do not meet the criteria for SPM but we have established part numbers along with current pricing for them. These products are manufactured as the result of a specific customer's request and are only built to order. To distinguish between SPM products and these products, we classify them in our computer system as Active Special Order. So that we continue to meet the demands of all customers and stay flexible with our manufacturing mix, these products are only built to order.

In order to ensure that we make the best use of our resources, we find it necessary to establish a firm order cancellation policy and in some cases request a deposit before an order is started in manufacturing.

Any product ordered that is categorized as "active special order" will be considered non-cancellable. In addition, we reserve the right to request a deposit on any order that contains items that are designated as "active special order". The status of all parts can be viewed on the E-Dometic website at anytime.

How does this work? Once the order is acknowledged, a deposit is received (if requested) and the parts ordering/manufacturing process is started, these items are non-cancellable.

An exception to the above is the process of Custom Wood Grilles and Custom Plenums. These items can be cancelled up to 5 business days prior to scheduled ship date.

Definitions:

1. Stocking Profile (A)

Products that are regularly sold and have activity at least 8 of the last 12 months and sold to multiple customers.

2. Active Special (AS)

All items sold or used less than 7 out of the last 12 months or sold only to a single customer.

3. Obsolete (K)

Items with no history in the past eighteen months.

All order confirmations clearly indicate if an item ordered is a special order. If you buy direct from Dometic you have access to our E-Dometic site that shows the status of all parts. If you purchase through a dealer or Distributor please contact them in advance of placing your order if you are uncertain about the status of the part you are ordering and have them confirm the status for you.

AUTHORIZED INTERNET RESELLER AGREEMENT PROGRAM

Dometic Marine is planning to establish an **Authorized Internet Reseller Agreement Program**. This program will encompass certain products listed in this Price List, as well as certain other customer-specific items that are included in the Excel Spreadsheet version that is available with this book.

If you resell our products online, this policy will apply to you.

Dometic Marine and our dealers have invested years in training and installation techniques to ensure optimum product functionality and longevity. The majority of our products are not "do-it-yourself" items. Therefore, to ensure proper installation we will take the following steps:

- Any and all resellers that want to sell the Dometic Products authorized for sale online will be required to sign and adhere to an Authorized Internet Reseller Agreement. This document will define:

- The specific products permitted for sale online*
- The specific URLs/Marketplaces approved to sell these products
- The term and territory of this authorization

* The majority of the products in this book will **NOT BE AUTHORIZED** to be sold on the internet. While Dometic reserves the right to make changes, we anticipate authorizing only a small number of product categories.

- Anyone wishing to resell any of the Dometic Marine approved products over the internet will need to sign an Authorized Internet Reseller Agreement with Dometic.

For more information about this program, contact:

By Email: MarineInternet@dometic.com
By Phone: 954-973-2477
By Post: Dometic Corporation
2000 N. Andrews Ave.
Pompano Beach, FL 33069 USA

Dometic

2000 N. Andrews Ave.
Pompano Beach, FL 33069 USA

Phone: 954-973-2477

Fax: 954-979-4414

Sales and Service within Europe and the Middle East, please call +44 870 -330-6101

marinesales@dometic.com

PART NO. PRICE-RMD23



Mobile living made easy.

