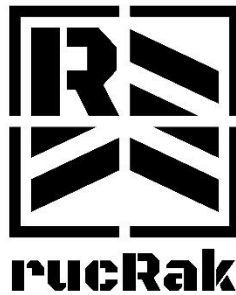


INSTALLATION INSTRUCTIONS – LOAD HANDLER



MULTIPURPOSE RACK SYSTEM
U.S. PATENT PENDING

CAUTION

ENSURE THAT YOUR VEHICLE IS EQUIPPED TO HANDLE EXCESSIVE WEIGHT FROM THE ADDITION OF NON-FACTORY ASSESSORIES.

USE OF THIS MULTIPURPOSE RACK SYSTEM IS AT THE OWNER'S RISK.

rucRak Inc. ASSUMES NO LIABILITY FOR VEHICLE DAMAGE, PROPERTY DAMAGE OR PERSONAL INJURY WHILE USING THIS PRODUCT.

THIS MULTIPURPOSE RACK SYSTEM IS INTENDED FOR OFF-ROAD USE ONLY. PLEASE FOLLOW ALL STATE AND LOCAL DOT LAWS WHILE USING THIS PRODUCT.

INSTALLATION NOTES

CAREFULLY READ ALL INSTRUCTIONS THOROUGHLY BEFORE ATTEMPTING TO INSTALL THESE PARTS AND ASSESSORIES.

ASK A FRIEND FOR HELP. HAVING A HELPING HAND WILL ALLOW FOR AN EASIER INSTALLATION AND MINIMIZE POTENTIAL INJURY WHILE HANDLING HEAVY PARTS.

BE SURE TO LUBRICATE ALL STAINLESS STEEL HARDWARE PRIOR TO INSTALLATION.

ONLY HAND-TIGHTEN THE HARDWARE UNTIL ALL PARTS ARE FULLY ASSEMBLED.

VIDEO DEMONSTRATIONS OF INSTALLATIONS AND CONFIGURATIONS CAN BE FOUND ON OUR WEBSITE.

FOR TECHNICAL SUPPORT AND WARRANTY INFORMATION, PLEASE VISIT OUR WEBSITE.

WWW.RUCRAK.COM

LOAD HANDLER ASSESSORY INSTALLATION (FIG. 1)

PARTS INCLUDED PER (1) LOAD HANDLER ASSESSORY		
ITEM	ITEM DECIPTION	QTY
101	T-FRAME	1
102	2" SNAP-IN SQ PLUG	3
103	HITCH PIN W/COTTER PIN (NOT SHOWN)	1
104	U-SERT BRACKET	2
105	5/16"-18 x 2" LG CAP SCREW W/2 WASHERS & NYLON INSERT LOCKNUT	2
106	HEAVY DUTY RUBBER FOOT	2
107	3/8"-16 x 1-1/2" LG BOLT W/ WASHER & NUT	2

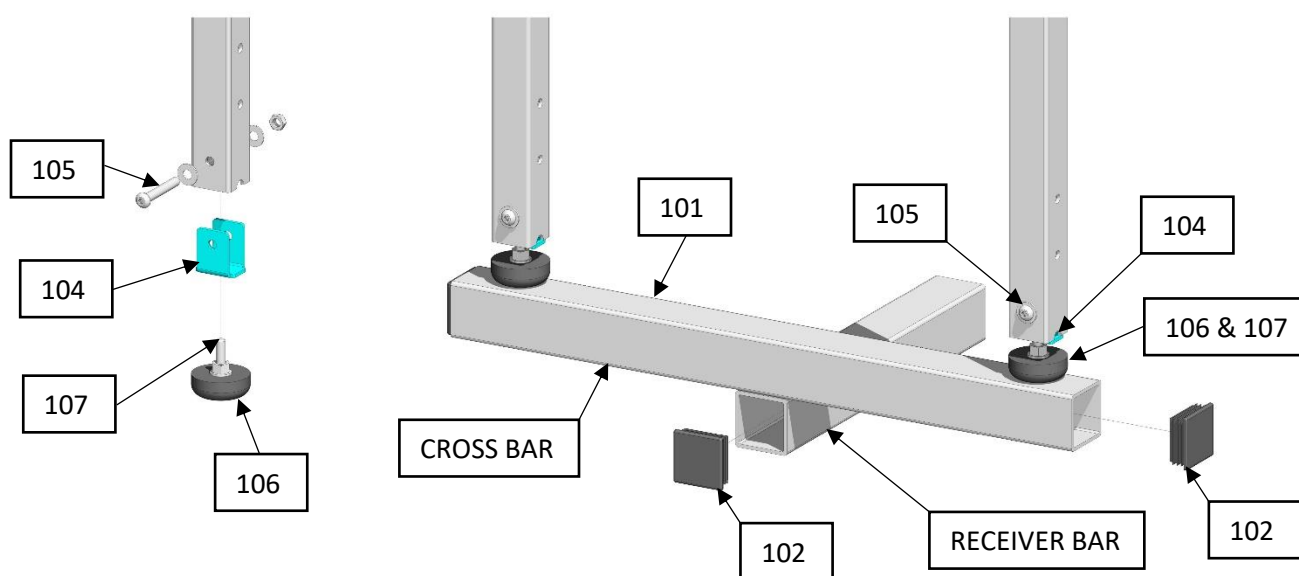


FIG. 1

STEP 1: INSERT THE T-FRAME (ITEM 101) WITH THE MULTI-POSITION ADJUSTMENT HOLES INTO THE 2" HITCH RECIEVER OF YOUR VEHICLE. FOR THE STOCK SPARE TIRE, INSTALL THE T-FRAME AS SHOWN WITH THE CROSS BAR ABOVE THE RECIEVER BAR. FOR LARGER SPARE TIRES, FLIP THE T-FRAME (ITEM 101) OVER FOR ADDED CLEARANCE.

STEP 2: ADJUST THE DEPTH OF THE T-FRAME (ITEM 101) TO ONE OF THE MULTIPLE PIN-HOLE LOCATIONS AND INSERT THE HITCH PIN. SECURE WITH COTTER PIN.

NOTE: A HITCH STABILIZER IS RECOMMENDED TO PREVENT RATTLES AND TO ENSURE ACCURATE CONTACT BETWEEN THE LOAD HANDLER T-FRAME (ITEM 101) AND THE HEAVY DUTY RUBBER FEET ASSEMBLIES (ITEMS 106 & 107) ON THE RUCRAK. CONTACT US FOR A RECOMMENDED HITCH STABILIZER.

STEP 3: INSTALL U-SERT BRACKET (ITEM 104) INTO THE BOTTOM OF THE RUCRAK VERTICAL TUBES AS SHOWN IN FIG. 1. SECURE WITH 5/16" HARDWARE (ITEM 105).

STEP 4: THREAD THE HEAVY DUTY RUBBER FEET ASSEMBLY (ITEMS 106 & 107) INTO THE U-SERT BRACKET (ITEM 104) AND ADJUST THE DEPTH DOWN TO THE TOP OF THE LOAD HANDLER T-FRAME (ITEM 101).

STEP 5: ENJOY!!