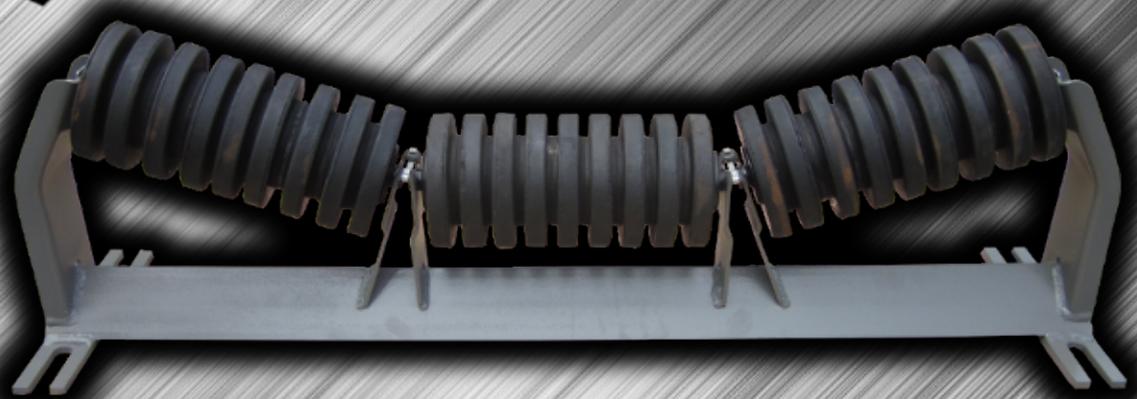




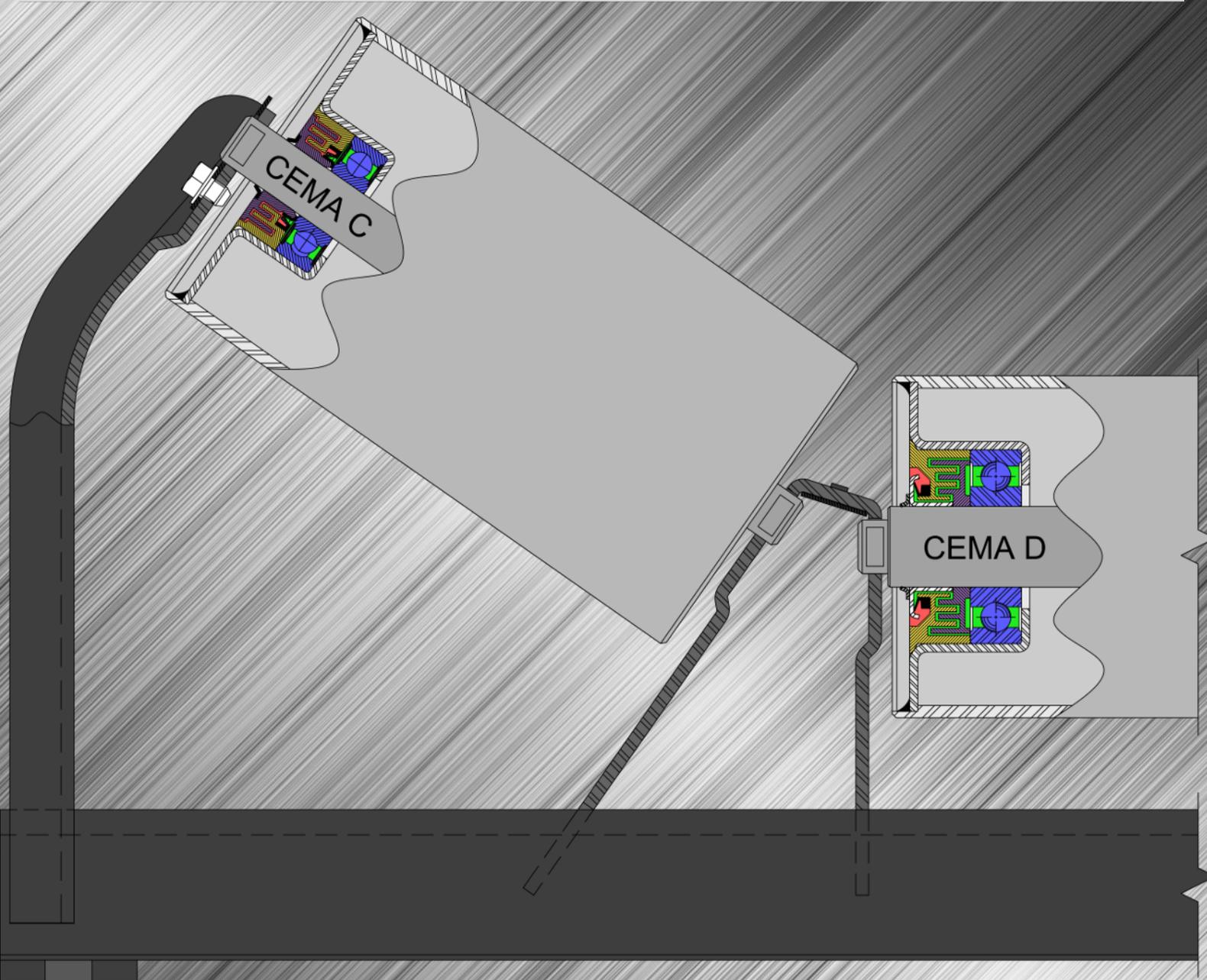
CONVEYORS



CEMA C & D Conveyor Idlers Overview

Inline Troughing Assemblies Cutaway

Our troughing assemblies have been refined to incorporate all of the features required to provide years of maintenance free service



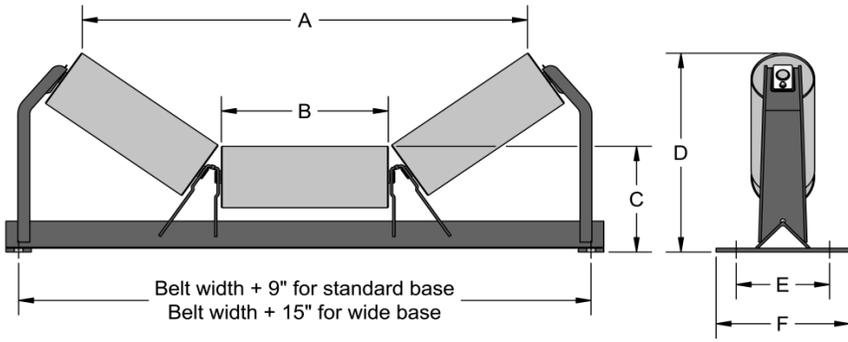
Idler Construction

CEMA C idlers use 6304 bearings and 20mm C1045 shafting and CEMA D idlers have 6306 bearings and 30mm C1018 shafting. All bearings come with an 80% fill of synthetic grease, are double sealed, and have the inner race v notched to maximize the seal efficiency. The bearing housings are recessed to maximize load capacity and protect the weld. Both idlers incorporate a combination of labyrinth and contact seal to provide years of trouble free service in any environment

Idler Bracketing

Both the center idler and the wing idler supports are die formed to provide additional clearance at the ends of the idlers to prevent material from lodging and eliminating idler lock up. The wing idler support is also tapered to be wider at the bottom to provide maximum stability

CEMA C Equal Trougher



Belt Width	Standard Dimensions			
	B	E min.	E max.	F
18"	6 3/4	5	7	8
24"	8 15/16	5	7	8
30"	11 1/8	5 3/4	9 1/2	10 1/2
36"	13 1/4	5 3/4	9 1/2	10 1/2
42"	15 7/16	5 3/4	9 1/2	10 1/2
48"	17 5/8	5 3/4	9 1/2	10 1/2
54"	19 3/4	7	9 1/2	10 1/2
60"	21 3/4	7	9 1/2	10 1/2

20 degree Equal Troughers

Belt Width	4" Roll Diameter				5" Roll Diameter				6" Roll Diameter			
	Part Number	A	C	D	Part Number	A	C	D	Part Number	A	C	D
18"	C4-18TE20-13	20 7/8	7 15/16	10 3/8	C5-18TE20-93	20 1/2	8 7/16	10 7/8	C6-18TE20-83	20 3/16	8 15/16	11 5/16
24"	C4-24TE20-13	26 13/16	7 15/16	11 1/8	C5-24TE20-93	26 7/16	8 7/16	11 9/16	C6-24TE20-83	26 1/8	8 15/16	12 1/16
30"	C4-30TE20-13	33	8	11 7/8	C5-30TE20-93	32 11/16	8 1/2	12 3/8	C6-30TE20-83	32 5/16	9	12 13/16
36"	C4-36TE20-13	39 3/16	8 3/8	13	C5-36TE20-93	38 7/8	8 7/8	13 7/16	C6-36TE20-83	38 1/2	9 3/8	13 15/16
42"	C4-42TE20-13	45 1/2	8 3/8	13 3/4	C5-42TE20-93	45 3/16	8 7/8	14 3/16	C6-42TE20-83	44 13/16	9 3/8	14 11/16
48"	C4-48TE20-13	51 13/16	8 3/8	14 1/2	C5-48TE20-93	51 7/16	8 7/8	14 15/16	C6-48TE20-83	51 1/8	9 3/8	15 5/16
54"	C4-54TE20-13	57 15/16	8 3/4	15 5/8	C5-54TE20-93	57 9/16	9 1/4	16 1/16	C6-54TE20-83	57 1/4	9 3/4	16 9/16
60"	C4-60TE20-13	63 11/16	8 3/4	16 1/4	C5-60TE20-93	63 5/16	9 1/4	16 3/4	C6-60TE20-83	63	9 3/4	17 1/4

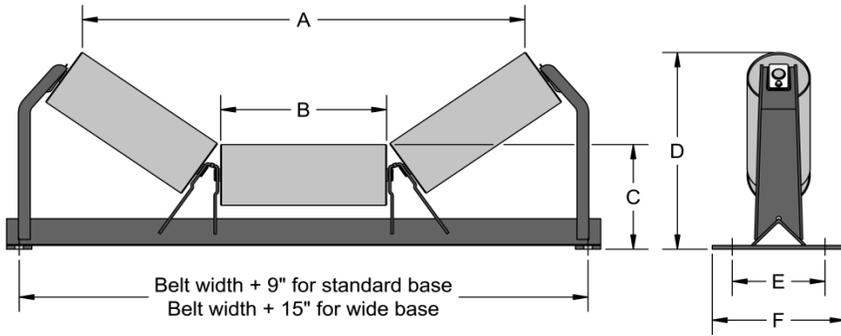
35 degree Equal Troughers

Belt Width	4" Roll Diameter				5" Roll Diameter				6" Roll Diameter			
	Part Number	A	C	D	Part Number	A	C	D	Part Number	A	C	D
18"	C4-18TE35-13	19 5/8	7 15/16	12 1/8	C5-18TE35-93	19 1/16	8 7/16	12 9/16	C6-18TE35-83	18 1/2	8 15/16	12 15/16
24"	C4-24TE35-13	25 1/16	7 15/16	13 5/16	C5-24TE35-93	24 1/2	8 7/16	13 3/4	C6-24TE35-83	23 15/16	8 15/16	14 1/8
30"	C4-30TE35-13	30 7/8	8	14 5/8	C5-30TE35-93	30 5/16	8 1/2	15 1/16	C6-30TE35-83	29 11/16	9	15 7/16
36"	C4-36TE35-13	36 7/16	8 3/8	16 3/16	C5-36TE35-93	35 7/8	8 7/8	16 5/8	C6-36TE35-83	35 5/16	9 3/8	17
42"	C4-42TE35-13	42 1/4	8 3/8	17 7/16	C5-42TE35-93	41 11/16	8 7/8	17 7/8	C6-42TE35-83	41 1/16	9 3/8	18 1/4
48"	C4-48TE35-13	48	8 3/8	18 11/16	C5-48TE35-93	47 7/16	8 7/8	19 1/8	C6-48TE35-83	46 7/8	9 3/8	19 1/2
54"	C4-54TE35-13	53 5/8	8 3/4	20 5/16	C5-54TE35-93	53 1/16	9 1/4	20 3/4	C6-54TE35-83	52 7/16	9 3/4	21 1/8
60"	C4-60TE35-13	58 7/8	8 3/4	21 7/16	C5-60TE35-93	58 5/16	9 1/4	21 7/8	C6-60TE35-83	57 3/4	9 3/4	22 5/16

45 degree Equal Troughers

Belt Width	4" Roll Diameter				5" Roll Diameter				6" Roll Diameter			
	Part Number	A	C	D	Part Number	A	C	D	Part Number	A	C	D
18"	C4-18TE45-13	18 7/16	7 15/16	13 3/16	C5-18TE45-93	17 11/16	8 7/16	13 9/16	C6-18TE45-83	17	8 15/16	13 7/8
24"	C4-24TE45-13	23 3/8	7 15/16	14 5/8	C5-24TE45-93	22 11/16	8 7/16	15	C6-24TE45-83	22	8 15/16	15 3/8
30"	C4-30TE45-13	28 11/16	8	16 1/4	C5-30TE45-93	28	8 1/2	16 5/8	C6-30TE45-83	27 1/4	9	16 15/16
36"	C4-36TE45-13	33 11/16	8 3/8	18 1/8	C5-36TE45-93	33 1/8	8 7/8	18 7/16	C6-36TE45-83	32 3/8	9 3/8	18 13/16
42"	C4-42TE45-13	39 1/16	8 3/8	19 5/8	C5-42TE45-93	38 3/8	8 7/8	20	C6-42TE45-83	37 11/16	9 3/8	20 3/8
48"	C4-48TE45-13	44 3/8	8 3/8	21 3/16	C5-48TE45-93	43 11/16	8 7/8	21 9/16	C6-48TE45-83	42 15/16	9 3/8	21 7/8
54"	C4-54TE45-13	49 1/2	8 3/4	23 1/8	C5-54TE45-93	48 13/16	9 1/4	23 7/16	C6-54TE45-83	48 1/16	9 3/4	23 13/16
60"	C4-60TE45-13	54 5/16	8 3/4	24 1/2	C5-60TE45-93	53 5/8	9 1/4	24 7/8	C6-60TE45-83	52 15/16	9 3/4	25 3/16

CEMA D Equal Trougher



Belt Width	Standard Dimensions			
	B	E min.	E max.	F
24"	8 15/16	5	7	8
30"	11 1/8	5 3/4	9 1/2	10 1/2
36"	13 1/4	5 3/4	9 1/2	10 1/2
42"	15 7/16	5 3/4	9 1/2	10 1/2
48"	17 5/8	7	9 1/2	10 1/2
54"	19 3/4	7	9 1/2	10 1/2
60"	21 3/4	7	9 1/2	10 1/2
66"	24	7 1/2	9 1/2	11
72"	26	7 1/2	9 1/2	11

20 degree Equal Troughers

Belt Width	5" Roll Diameter				6" Roll Diameter			
	Part Number	A	C	D	Part Number	A	C	D
24"	D5-24TE20-93	26 7/16	8 7/16	11 9/16	D6-24TE20-83	26 1/8	8 15/16	12 1/16
30"	D5-30TE20-93	32 11/16	8 7/8	12 3/4	D6-30TE20-83	32 5/16	9 3/8	13 3/16
36"	D5-36TE20-93	38 7/8	8 7/8	13 7/16	D6-36TE20-83	38 1/2	9 3/8	13 15/16
42"	D5-42TE20-93	45 3/16	8 7/8	14 3/16	D6-42TE20-83	44 13/16	9 3/8	14 11/16
48"	D5-48TE20-93	51 7/16	9 1/4	15 5/16	D6-48TE20-83	51 1/8	9 3/4	15 13/16
54"	D5-54TE20-93	57 9/16	9 1/4	16 1/16	D6-54TE20-83	57 1/4	9 3/4	16 9/16
60"	D5-60TE20-93	63 5/16	9 1/4	16 3/4	D6-60TE20-83	63	9 3/4	17 1/4
66"	D5-66TE20-93	69 13/16	9 5/8	17 15/16	D6-66TE20-83	69 1/2	10 1/8	18 3/8
72"	D5-72TE20-93	75 9/16	9 5/8	18 5/8	D6-72TE20-83	75 1/4	10 1/8	19 1/16

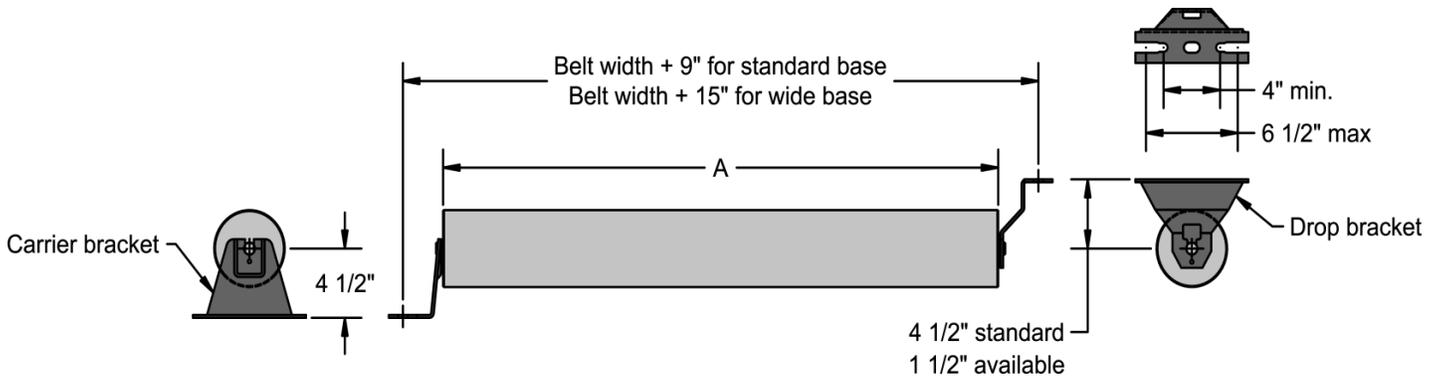
35 degree Equal Troughers

Belt Width	5" Roll Diameter				6" Roll Diameter			
	Part Number	A	C	D	Part Number	A	C	D
24"	D5-24TE35-93	24 1/2	8 7/16	13 3/4	D6-24TE35-83	23 15/16	8 15/16	14 1/8
30"	D5-30TE35-93	30 5/16	8 7/8	15 7/16	D6-30TE35-83	29 11/16	9 3/8	15 13/16
36"	D5-36TE35-93	35 7/8	8 7/8	16 5/8	D6-36TE35-83	35 5/16	9 3/8	17
42"	D5-42TE35-93	41 11/16	8 7/8	17 7/8	D6-42TE35-83	41 1/16	9 3/8	18 1/4
48"	D5-48TE35-93	47 7/16	9 1/4	19 1/2	D6-48TE35-83	46 7/8	9 3/4	19 7/8
54"	D5-54TE35-93	53 1/16	9 1/4	20 3/4	D6-54TE35-83	52 7/16	9 3/4	21 1/8
60"	D5-60TE35-93	58 5/16	9 1/4	21 7/8	D6-60TE35-83	57 3/4	9 3/4	22 5/16
66"	D5-66TE35-93	64 1/4	9 5/8	23 9/16	D6-66TE35-83	63 11/16	10 1/8	24
72"	D5-72TE35-93	69 1/2	9 5/8	24 11/16	D6-72TE35-83	68 15/16	10 1/8	25 1/8

45 degree Equal Troughers

Belt Width	5" Roll Diameter				6" Roll Diameter			
	Part Number	A	C	D	Part Number	A	C	D
24"	D5-24TE45-93	22 11/16	8 7/16	15	D6-24TE45-83	22	8 15/16	15 3/8
30"	D5-30TE45-93	28	8 7/8	17	D6-30TE45-83	27 1/4	9 3/8	17 5/16
36"	D5-36TE45-93	33 1/8	8 7/8	18 7/16	D6-36TE45-83	32 3/8	9 3/8	18 13/16
42"	D5-42TE45-93	38 3/8	8 7/8	20	D6-42TE45-83	37 11/16	9 3/8	20 3/8
48"	D5-48TE45-93	43 11/16	9 1/4	21 15/16	D6-48TE45-83	42 15/16	9 3/4	22 1/4
54"	D5-54TE45-93	48 13/16	9 1/4	23 7/16	D6-54TE45-83	48 1/16	9 3/4	23 13/16
60"	D5-60TE45-93	53 5/8	9 1/4	24 7/8	D6-60TE45-83	52 15/16	9 3/4	25 3/16
66"	D5-66TE45-93	59 1/16	9 5/8	26 7/8	D6-66TE45-83	58 3/8	10 1/8	27 3/16
72"	D5-72TE45-93	63 7/8	9 5/8	28 1/4	D6-72TE45-83	63 3/16	10 1/8	28 5/8

Overland Flat Return Idlers

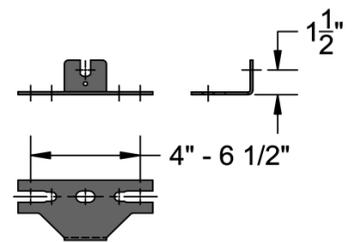


CEMA C Return Idlers

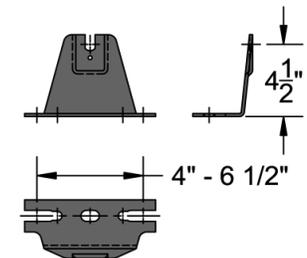
Belt Width	A - std base	4" dia. Part #	5" dia. Part #	6" dia. Part #
18"	21 3/8"	C4-18FLRN-13	C5-18FLRN-93	C6-18FLRN-83
24"	27 3/8"	C4-24FLRN-13	C5-24FLRN-93	C6-24FLRN-983
30"	33 3/8"	C4-30FLRN-13	C5-30FLRN-93	C6-30FLRN-83
36"	39 3/8"	C4-36FLRN-13	C5-36FLRN-93	C6-36FLRN-83
42"	45 3/8"	C4-42FLRN-13	C5-42FLRN-93	C6-42FLRN-83
48"	51 3/8"	C4-48FLRN-13	C5-48FLRN-93	C6-48FLRN-83
54"	57 3/8"	C4-54FLRN-13	C5-54FLRN-93	C6-54FLRN-83
60"	63 3/8"	C4-60FLRN-13	C5-60FLRN-93	C6-60FLRN-83

CEMA D Return Idlers - Series 3

Belt Width	A - std base	5" dia. Part #	6" dia. Part #
18"	21 3/8"	D5-18FLRN-93	D6-18FLRN-83
24"	27 3/8"	D5-24FLRN-93	D6-24FLRN-83
30"	33 3/8"	D5-30FLRN-93	D6-30FLRN-83
36"	39 3/8"	D5-36FLRN-93	D6-36FLRN-83
42"	45 3/8"	D5-42FLRN-93	D6-42FLRN-83
48"	51 3/8"	D5-48FLRN-93	D6-48FLRN-83
54"	57 3/8"	D5-54FLRN-93	D6-54FLRN-83
60"	63 3/8"	D5-60FLRN-93	D6-60FLRN-83
66"	69 3/8"	D5-66FLRN-93	D6-66FLRN-83
72"	75 3/8"	D5-72FLRN-93	D6-72FLRN-83

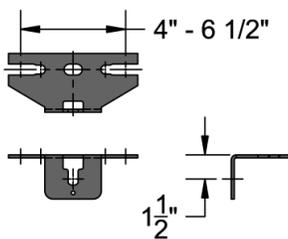


CB-1.5-3

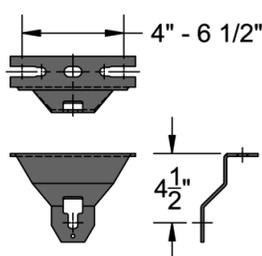


CB-4.5-3

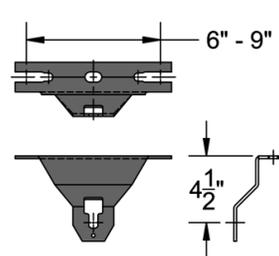
*If a wide base is needed, order the next belt width larger return idler.



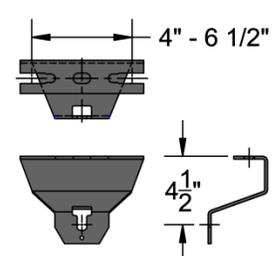
DB-1.5-3



DB-4.5-3

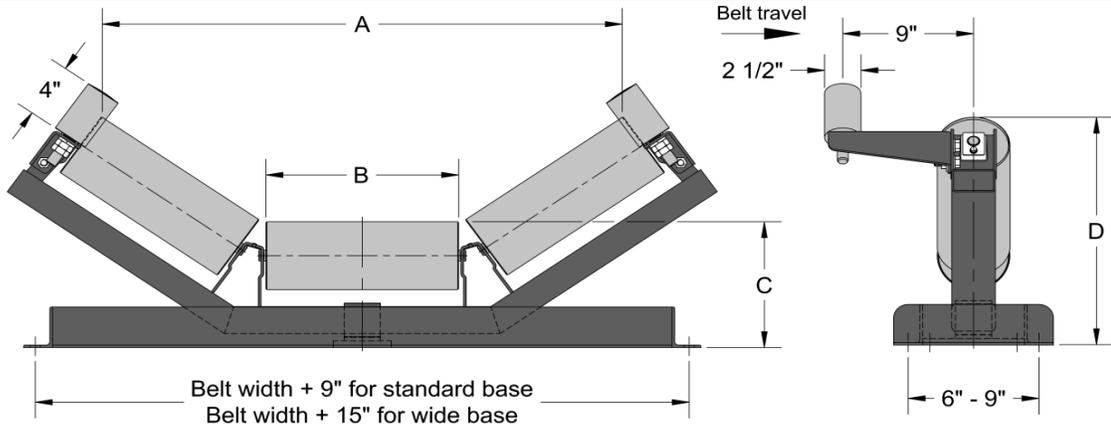


DB-4.5-3WB

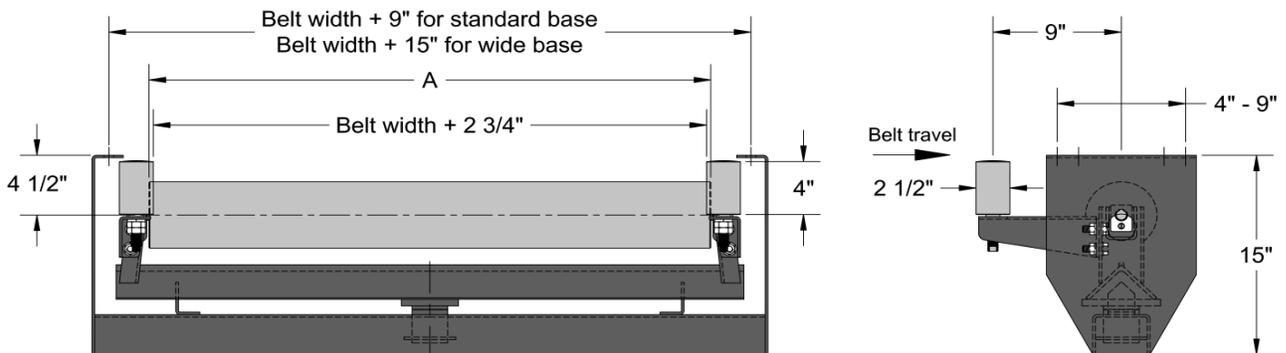


DBX-4.5-3

Training Assemblies



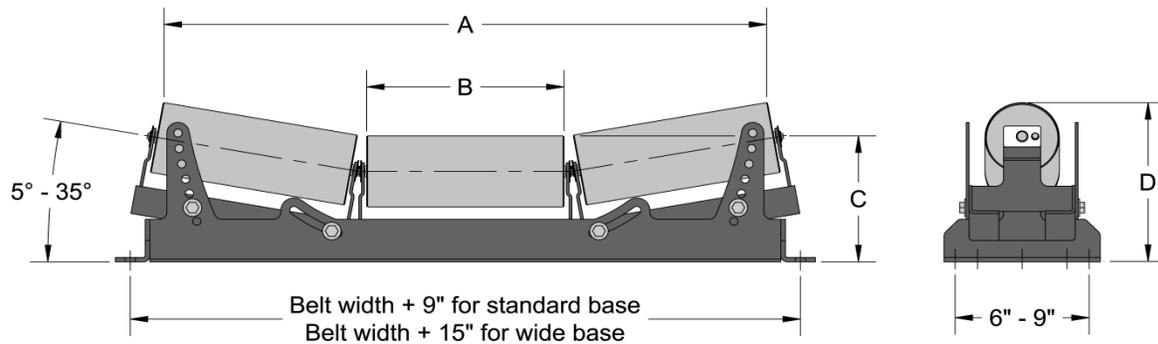
35 degree Troughing - 5" diameter Idlers						6" diameter Idlers			
Belt	CEMA C 5" Ø	CEMA D 5" Ø	A	B	C	CEMA C 6" Ø	CEMA D 6" Ø	A	C
18"	C5-18SA35-93	D5-18SA35-93	20 1/2	6 3/4	8 7/16				
24"	C5-24SA35-93	D5-24SA35-93	26 7/16	8 15/16	8 7/16	C6-24SA35-83	D6-24SA35-83	26 1/8	8 7/16
30"	C5-30SA35-93	D5-30SA35-93	32 11/16	11 1/8	8 1/2	C6-30SA35-83	D6-30SA35-83	32 5/16	8 7/8
36"	C5-36SA35-93	D5-36SA35-93	38 7/8	13 1/4	8 7/8	C6-36SA35-83	D6-36SA35-83	38 1/2	8 7/8
42"	C5-42SA35-93	D5-42SA35-93	45 3/16	15 7/16	8 7/8	C6-42SA35-83	D6-42SA35-83	44 13/16	8 7/8
48"	C5-48SA35-93	D5-48SA35-93	51 7/16	17 5/8	8 7/8	C6-48SA35-83	D6-48SA35-83	51 1/8	9 1/4
54"	C5-54SA35-93	D5-54SA35-93	57 9/16	19 3/4	9 1/4	C6-54SA35-83	D6-54SA35-83	57 1/4	9 1/4
60"	C5-60SA35-93	D5-60SA35-93	63 5/16	21 3/4	9 1/4	C6-60SA35-83	D6-60SA35-83	63	9 1/4
72"	C5-72SA35-93	D5-72SA35-93	75 9/16	26	9 5/8	C6-72SA35-83	D6-72SA35-83	75 1/4	9 5/8



Training Return Assys. - 5" diameter idlers				6" diameter idlers	
Belt	A	5" dia. CEMA C	5" dia. CEMA D	6" dia. CEMA C	6" dia. CEMA D
18"	21"	C5-18SAFR-93	D5-18SAFR-93	C6-18SAFR-93	D6-18SAFR-93
24"	27"	C5-24SAFR-93	D5-24SAFR-93	C6-24SAFR-93	D6-24SAFR-93
30"	33"	C5-30SAFR-93	D5-30SAFR-93	C6-30SAFR-93	D6-30SAFR-93
36"	39"	C5-36SAFR-93	D5-36SAFR-93	C6-36SAFR-93	D6-36SAFR-93
42"	45"	C5-42SAFR-93	D5-42SAFR-93	C6-42SAFR-93	D6-42SAFR-93
48"	51"	C5-48SAFR-93	D5-48SAFR-93	C6-48SAFR-93	D6-48SAFR-93
54"	57"	C5-54SAFR-93	D5-54SAFR-93	C6-54SAFR-93	D6-54SAFR-93
60"	63"	C5-60SAFR-93	D5-60SAFR-93	C6-60SAFR-93	D6-60SAFR-93
66"	69"	C5-66SAFR-93	D5-66SAFR-93	C6-66SAFR-93	D6-66SAFR-93
72"	75"	C5-72SAFR-93	D5-72SAFR-93	C6-72SAFR-93	D6-72SAFR-93

20 and 45 degree Trough trainers are also available.

Adjustable Wing Idrer Troughing Assemblies



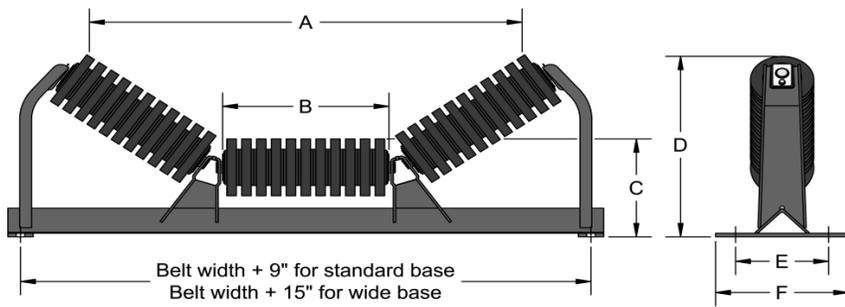
4" diameter Idlers							
Belt Width	A		B	C	D		CEMA C Part Number
	Min	Max			Min	Max	
24"	25 1/16	28 5/16	8 15/16	8	9 1/16	13 3/8	C4-24ADJW-13
30"	30 7/8	35	11 1/8	8	9 1/8	14 5/8	C4-30ADJW-13
36"	36 7/16	41 5/16	13 1/4	8 3/8	9 7/16	16 1/5	C4-36ADJW-13
42"	42 1/4	47 7/8	15 7/16	8 3/8	9 3/4	17 1/2	C4-42ADJW-13
48"	48	54 7/16	17 5/8	8 3/8	9 15/16	18 2/3	C4-48ADJW-13

5" diameter Idlers								
Belt Width	A		B	C	D		CEMA C Part Number	CEMA D Part Number
	Min	Max			Min	Max		
24"	24 1/2	28 3/16	8 15/16	8 1/2	9 9/16	13 3/4	C5-24ADJW-93	D5-24ADJW-93
30"	30 5/16	34 7/8	11 1/8	8 1/2	9 5/8	15	C5-30ADJW-93	D5-30ADJW-93
36"	35 7/8	41 1/4	13 1/4	8 7/8	10 1/16	16 51/82	C5-36ADJW-93	D5-36ADJW-93
42"	41 11/16	47 13/16	15 7/16	8 7/8	10 1/4	17 7/8	C5-42ADJW-93	D5-42ADJW-93
48"	47 4/9	54 3/8	17 5/8	8 7/8	10 7/16	19 11/84	C5-48ADJW-93	D5-48ADJW-93
54"	53	60 11/16	19 3/4	8 7/8	11	20 3/4	C5-54ADJW-93	D5-54ADJW-93
60"	58 1/3	66 11/16	21 3/4	8 7/8	11 3/16	21 34/39	C5-60ADJW-93	D5-60ADJW-93

6" diameter Idlers								
Belt Width	A		B	C	D		CEMA C Part Number	CEMA D Part Number
	Min	Max			Min	Max		
24"	23 15/16	28	8 15/16	9	10 1/16	14 3/16	C6-24ADJW-83	D6-24ADJW-83
30"	29 11/16	34 3/4	11 1/8	9	10 1/8	15 7/16	C6-30ADJW-83	D6-30ADJW-83
36"	35 5/16	41 1/5	13 1/4	9 3/8	10 9/16	17 3/97	C6-36ADJW-83	D6-36ADJW-83
42"	41 1/16	47 3/4	15 7/16	9 3/8	10 3/4	18 5/16	C6-42ADJW-83	D6-42ADJW-83
48"	46 7/8	54 1/4	17 5/8	9 3/8	10 15/16	19 33/61	C6-48ADJW-83	D6-48ADJW-83
54"	52 1/2	60 5/8	19 3/4	9 3/4	11 1/2	21 1/8	C6-54ADJW-83	D6-54ADJW-83
60"	57 20/27	66 5/8	19 3/4	9 3/4	11 11/16	22 5/16	C6-60ADJW-83	D6-60ADJW-83

* 10° Minimum for 18 & 24" Belt Width

Impact CEMA C Equal Trougher



Belt Width	Standard Dimensions			
	B	E min.	E max.	F
18"	6 13/16	5	7	8
24"	8 15/16	5	7	8
30"	11 1/8	5 3/4	9 1/2	10 1/2
36"	13 1/4	5 3/4	9 1/2	10 1/2
42"	15 7/16	5 3/4	9 1/2	10 1/2
48"	17 5/8	7	9 1/2	10 1/2
54"	19 3/4	7	9 1/2	10 1/2
60"	21 3/4	7	9 1/2	10 1/2

20 degree Equal Troughers

Belt Width	5" Roll Diameter				6" Roll Diameter			
	Part Number	A	C	D	Part Number	A	C	D
18"	C5-18TE20-I3	19 15/16	8 7/16	10 3/4	C6-18TE20-I3	19 5/8	8 15/16	11 3/16
24"	C5-24TE20-I3	25 7/8	8 7/16	11 7/16	C6-24TE20-I3	25 9/16	8 15/16	11 15/16
30"	C5-30TE20-I3	32 1/8	8 1/2	12 1/4	C6-30TE20-I3	31 13/16	9	12 11/16
36"	C5-36TE20-I3	38 5/16	8 7/8	13 5/16	C6-36TE20-I3	37 15/16	9 3/8	13 13/16
42"	C5-42TE20-I3	44 5/8	8 7/8	14 1/16	C6-42TE20-I3	44 1/4	9 3/8	14 9/16
48"	C5-48TE20-I3	50 7/8	8 7/8	14 3/8	C6-48TE20-I3	50 9/16	9 3/8	15 5/16
54"	C5-54TE20-I3	57	9 1/4	15 15/16	C6-54TE20-I3	56 11/16	9 3/4	16 7/16
60"	C5-60TE20-I3	62 3/4	9 1/4	16 5/8	C6-60TE20-I3	62 7/16	9 3/4	17 1/8

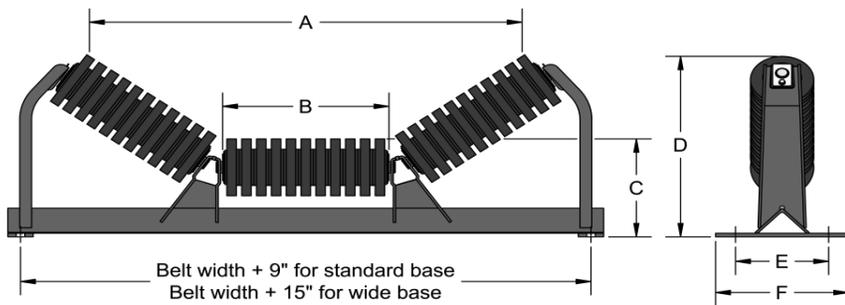
35 degree Equal Troughers

Belt Width	5" Roll Diameter				6" Roll Diameter			
	Part Number	A	C	D	Part Number	A	C	D
18"	C5-18TE35-I3	18 9/16	8 7/16	12 5/16	C6-18TE35-I3	18	8 15/16	12 13/16
24"	C5-24TE35-I3	24	8 7/16	13 9/16	C6-24TE35-I3	23 7/16	8 15/16	13 13/16
30"	C5-30TE35-I3	29 13/16	8 1/2	14 7/8	C6-30TE35-I3	29 3/16	9	15 1/4
36"	C5-36TE35-I3	35 3/8	8 7/8	16 7/16	C6-36TE35-I3	34 3/16	9 3/8	16 13/16
42"	C5-42TE35-I3	41 3/16	8 7/8	17 11/16	C6-42TE35-I3	40 9/16	9 3/8	18 1/16
48"	C5-48TE35-I3	46 15/16	8 7/8	18 15/16	C6-48TE35-I3	46 3/8	9 3/8	19 5/16
54"	C5-54TE35-I3	52 9/16	9 1/4	20 9/16	C6-54TE35-I3	51 15/16	9 3/4	20 15/16
60"	C5-60TE35-I3	57 13/16	9 1/4	21 11/16	C6-60TE35-I3	57 1/4	9 3/4	22 1/8

45 degree Equal Troughers

Belt Width	5" Roll Diameter				6" Roll Diameter			
	Part Number	A	C	D	Part Number	A	C	D
18"	C5-18TE45-I3	17 1/4	8 7/16	13 1/4	C6-18TE45-I3	16 9/16	8 15/16	13 11/16
24"	C5-24TE45-I3	22 1/4	8 7/16	14 13/16	C6-24TE45-I3	21 9/16	8 15/16	15 3/16
30"	C5-30TE45-I3	27 9/16	8 1/2	16 3/16	C6-30TE45-I3	26 13/16	9	16 3/4
36"	C5-36TE45-I3	32 11/16	8 7/8	18	C6-36TE45-I3	31 15/16	9 3/8	18 5/8
42"	C5-42TE45-I3	37 15/16	8 7/8	19 9/16	C6-42TE45-I3	37 3/16	9 3/8	20 3/16
48"	C5-48TE45-I3	43 1/4	8 7/8	21 1/8	C6-48TE45-I3	42 1/2	9 3/8	21 3/4
54"	C5-54TE45-I3	48 3/8	9 1/4	23	C6-54TE45-I3	47 5/8	9 3/4	23 5/8
60"	C5-60TE45-I3	53 5/16	9 1/4	24 7/16	C6-60TE45-I3	52 1/2	9 3/4	25 1/16

Impact CEMA D Equal Trougher



Belt Width	Standard Dimensions			
	B	E min.	E max.	F
24"	8 15/16	5	7	8
30"	11 1/8	5 3/4	9 1/2	10 1/2
36"	13 1/4	5 3/4	9 1/2	10 1/2
42"	15 7/16	5 3/4	9 1/2	10 1/2
48"	17 5/8	7	9 1/2	10 1/2
54"	19 3/4	7	9 1/2	10 1/2
60"	21 3/4	7	9 1/2	10 1/2
66"	24	7 1/2	9 1/2	11
72"	26	7 1/2	9 1/2	11

20 degree Equal Troughers

Belt Width	5" Roll Diameter				6" Roll Diameter			
	Part Number	A	C	D	Part Number	A	C	D
24"	D5-24TE20-I3	25 7/8	8 7/16	11 7/16	D6-24TE20-I3	25 9/16	8 15/16	11 15/16
30"	D5-30TE20-I3	32 1/8	8 7/8	12 5/8	D6-30TE20-I3	31 13/16	9 3/8	13 1/16
36"	D5-36TE20-I3	38 5/16	8 7/8	13 5/16	D6-36TE20-I3	37 15/16	9 3/8	13 13/16
42"	D5-42TE20-I3	44 5/8	8 7/8	14 1/16	D6-42TE20-I3	44 1/4	9 3/8	14 9/16
48"	D5-48TE20-I3	50 7/8	9 1/4	15 3/16	D6-48TE20-I3	50 9/16	9 3/4	15 11/16
54"	D5-54TE20-I3	57	9 1/4	15 15/16	D6-54TE20-I3	56 11/16	9 3/4	16 7/16
60"	D5-60TE20-I3	62 3/4	9 1/4	16 5/8	D6-60TE20-I3	62 7/16	9 3/4	17 1/8
66"	D5-66TE20-I3	69 1/4	9 5/8	17 13/16	D6-66TE20-I3	68 15/16	10 1/8	18 1/4
72"	D5-72TE20-I3	75	9 5/8	18 1/5	D6-72TE20-I3	74 11/16	10 1/8	18 15/16

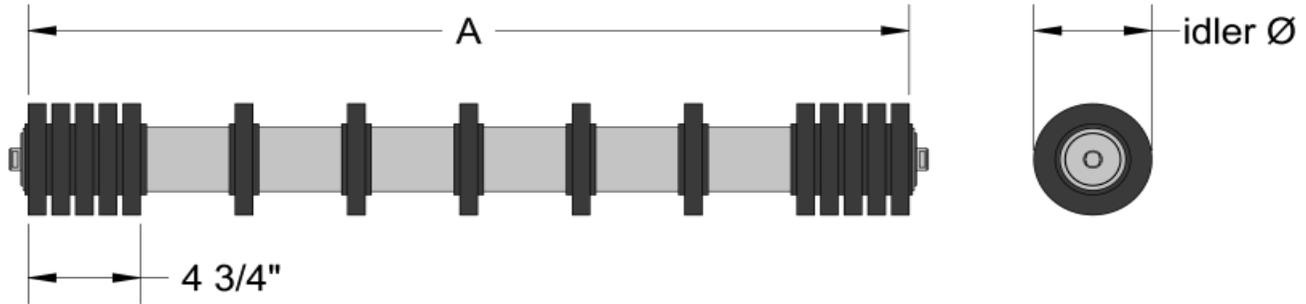
35 degree Equal Troughers

Belt Width	5" Roll Diameter				6" Roll Diameter			
	Part Number	A	C	D	Part Number	A	C	D
24"	D5-24TE35-I3	24	8 7/16	13 9/16	D6-24TE35-I3	23 7/16	8 15/16	13 13/16
30"	D5-30TE35-I3	29 13/16	8 7/8	15 1/4	D6-30TE35-I3	29 3/16	9 3/8	15 5/8
36"	D5-36TE35-I3	35 3/8	8 7/8	16 7/16	D6-36TE35-I3	34 3/16	9 3/8	16 13/16
42"	D5-42TE35-I3	41 3/16	8 7/8	17 11/16	D6-42TE35-I3	40 9/16	9 3/8	18 1/16
48"	D5-48TE35-I3	46 15/16	9 1/4	19 5/16	D6-48TE35-I3	46 3/8	9 3/4	19 11/16
54"	D5-54TE35-I3	52 9/16	9 1/4	20 9/16	D6-54TE35-I3	51 15/16	9 3/4	20 15/16
60"	D5-60TE35-I3	57 13/16	9 1/4	21 11/16	D6-60TE35-I3	57 1/4	9 3/4	22 1/8
66"	D5-66TE35-I3	63 3/4	9 5/8	23 3/8	D6-66TE35-I3	63 3/16	10 1/8	23 13/16
72"	D5-72TE35-I3	69	9 5/8	24 1/2	D6-72TE35-I3	68 7/16	10 1/8	24 15/16

45 degree Equal Troughers

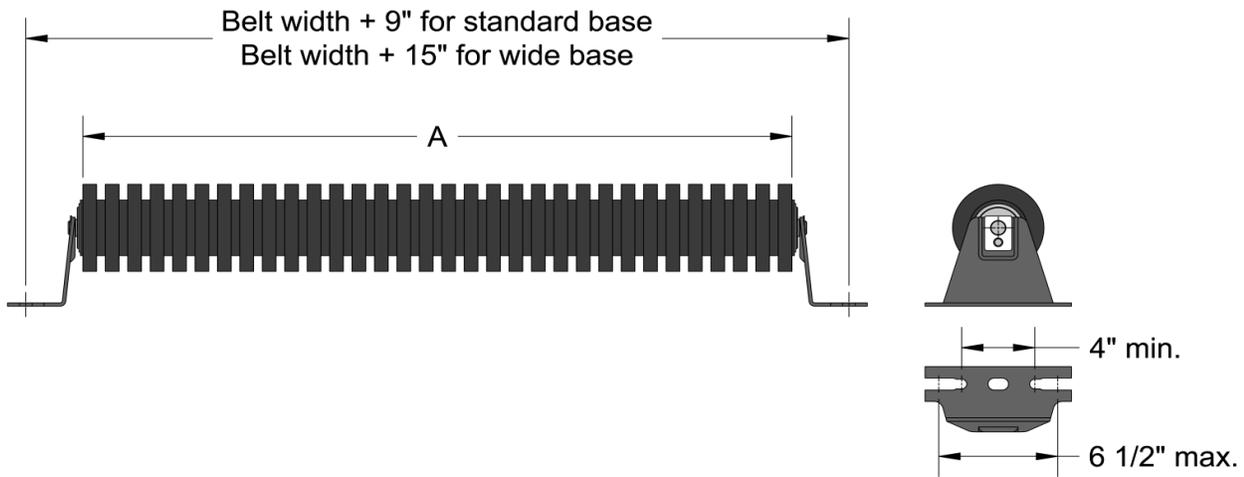
Belt Width	5" Roll Diameter				6" Roll Diameter			
	Part Number	A	C	D	Part Number	A	C	D
24"	D5-24TE45-I3	22 1/4	8 7/16	14 13/16	D6-24TE45-I3	21 9/16	8 15/16	15 3/16
30"	D5-30TE45-I3	27 9/16	8 7/8	16 13/16	D6-30TE45-I3	26 13/16	9 3/8	17 1/8
36"	D5-36TE45-I3	32 11/16	8 7/8	18 1/4	D6-36TE45-I3	31 15/16	9 3/8	18 5/8
42"	D5-42TE45-I3	37 15/16	8 7/8	19 13/16	D6-42TE45-I3	37 1/4	9 3/8	20 3/16
48"	D5-48TE45-I3	43 1/4	9 1/4	21 3/4	D6-48TE45-I3	42 1/2	9 3/4	22 1/8
54"	D5-54TE45-I3	48 3/8	9 1/4	23 1/4	D6-54TE45-I3	47 5/8	9 3/4	23 5/8
60"	D5-60TE45-I3	53 3/16	9 1/4	24 11/16	D6-60TE45-I3	52 1/2	9 3/4	25
66"	D5-66TE45-I3	58 5/8	9 5/8	26 11/16	D6-66TE45-I3	57 15/16	10 1/8	27
72"	D5-72TE45-I3	63 7/16	9 5/8	28 1/16	D6-72TE45-I3	62 3/4	10 1/8	28 7/16

Cushion Disc Return and Carrier Idlers



CEMA C Cushion Disc Return Idler

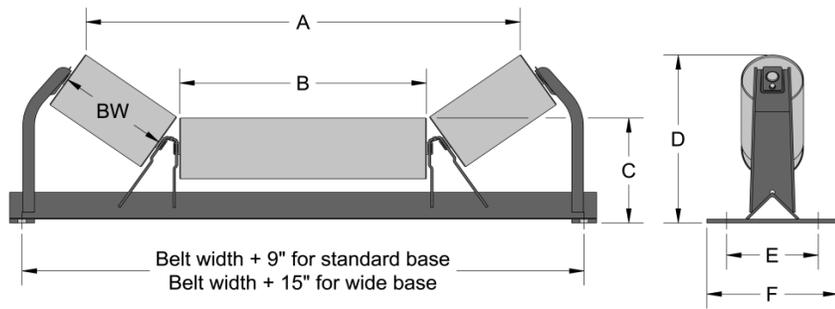
Belt Width	5" Roll Diameter	6" Roll Diameter	A
	Part Number	Part Number	
24"	C5-24CDFR-C3	C6-24CDFR-C3	26 3/4
30"	C5-30CDFR-C3	C6-30CDFR-C3	32 3/4
36"	C5-36CDFR-C3	C6-36CDFR-C3	38 3/4
42"	C5-42CDFR-C3	C6-42CDFR-C3	44 3/4
48"	C5-48CDFR-C3	C6-48CDFR-C3	50 3/4
54"	C5-54CDFR-C3	C6-54CDFR-C3	56 3/4
60"	C5-60CDFR-C3	C6-60CDFR-C3	62 3/4
72"	C5-72CDFR-C3	C6-72CDFR-C3	74 3/4



Cushion Disc Carrier Idler

Belt Width	5" Roll Diameter	6" Roll Diameter	A
	Part Number	Part Number	
24"	D5-24FLRN-C3	D6-24FLRN-C3	26 3/4
30"	D5-30FLRN-C3	D6-30FLRN-C3	32 3/4
36"	D5-36FLRN-C3	D6-36FLRN-C3	38 3/4
42"	D5-42FLRN-C3	D6-42FLRN-C3	44 3/4
48"	D5-48FLRN-C3	D6-48FLRN-C3	50 3/4
54"	D5-54FLRN-C3	D6-54FLRN-C3	56 3/4
60"	D5-60FLRN-C3	D6-60FLRN-C3	62 3/4
72"	D5-72FLRN-C3	D6-72FLRN-C3	74 3/4

CEMA C Unequal Trougher



Belt Width	Standard Dimensions			
	B	E min.	E max.	F
24"	15 7/16	5	7	8
30"	21 3/8	5 3/4	9 1/2	10 1/2
36"	27 3/8	5 3/4	9 1/2	10 1/2
42"	33 3/8	5 3/4	9 1/2	10 1/2
48"	39 3/8	5 3/4	9 1/2	10 1/2
54"	45 3/8	7	9 1/2	10 1/2
60"	51 3/8	7	9 1/2	10 1/2

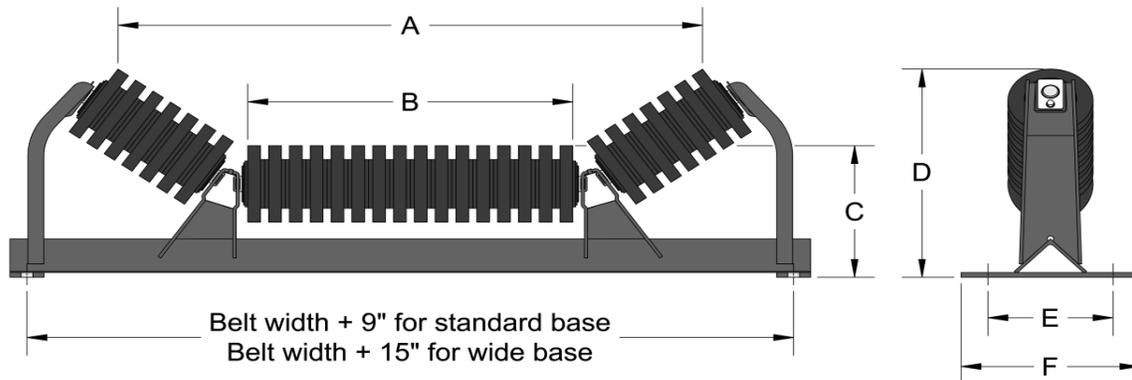
20 degree Unequal Troughers

Belt Width	4" Roll Diameter				5" Roll Diameter				6" Roll Diameter				
	Part Number	A	C	D	Part Number	A	C	D	Part Number	A	C	D	BW
24"	C4-24TU20-13	26 11/16	7 15/16	9 7/8	C5-24TU20-93	26 5/16	8 7/16	10 3/8	C6-24TU20-83	26	8 15/16	10 13/16	5 7/16
30"	C4-30TU20-13	32 5/8	8	9 15/16	C5-30TU20-93	32 5/16	8 1/2	10 7/16	C6-30TU20-83	31 15/16	9	10 7/8	5 7/16
36"	C4-36TU20-13	38 5/8	8 3/8	10 5/16	C5-36TU20-93	38 5/16	8 7/8	10 3/4	C6-36TU20-83	37 15/16	9 3/8	11 1/4	5 7/16
42"	C4-42TU20-13	44 5/8	8 3/8	10 5/16	C5-42TU20-93	44 5/16	8 7/8	10 3/4	C6-42TU20-83	43 15/16	9 3/8	11 1/4	5 7/16
48"	C4-48TU20-13	50 5/8	8 3/8	10 5/16	C5-48TU20-93	50 5/16	8 7/8	10 3/4	C6-48TU20-83	49 15/16	9 3/8	11 1/4	5 7/16
54"	C4-54TU20-13	56 5/8	8 3/4	10 11/16	C5-54TU20-93	56 5/16	9 1/4	11 3/16	C6-54TU20-83	55 15/16	9 3/4	11 5/8	5 7/16
60"	C4-60TU20-13	62 5/8	8 3/4	10 11/16	C5-60TU20-93	62 5/16	9 1/4	11 3/16	C6-60TU20-83	61 15/16	9 3/4	11 5/8	5 7/16

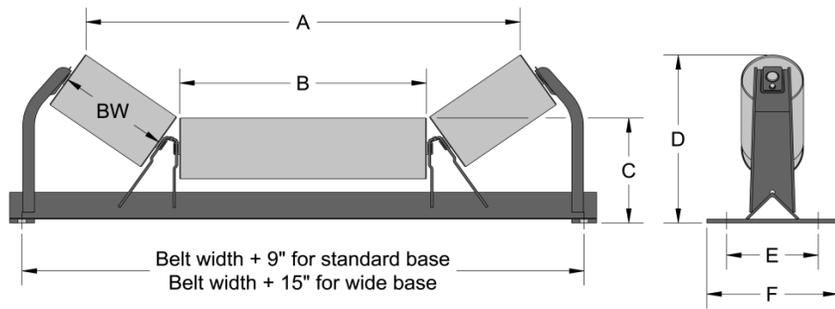
35 degree Unequal Troughers

Belt Width	4" Roll Diameter				5" Roll Diameter				6" Roll Diameter				
	Part Number	A	C	D	Part Number	A	C	D	Part Number	A	C	D	BW
24"	C4-24TU35-13	25 13/16	7 15/16	12 1/16	C5-24TU35-93	25 1/4	8 7/16	12 7/16	C6-24TU35-83	24 11/16	8 15/16	12 7/8	6 3/4
30"	C4-30TU35-13	31 9/16	8	13 3/8	C5-30TU35-93	31	8 1/2	13 3/4	C6-30TU35-83	30 7/16	9	14 3/16	8 15/16
36"	C4-36TU35-13	35 7/8	8 3/8	13 11/16	C5-36TU35-93	35 5/16	8 7/8	14 1/8	C6-36TU35-83	34 3/4	9 3/8	14 9/16	8 15/16
42"	C4-42TU35-13	41 1/8	8 3/8	15	C5-42TU35-93	40 9/16	8 7/8	15 3/8	C6-42TU35-83	39 15/16	9 3/8	15 13/16	11 1/8
48"	C4-48TU35-13	47 1/8	8 3/8	15	C5-48TU35-93	46 9/16	8 7/8	15 3/8	C6-48TU35-83	45 15/16	9 3/8	15 13/16	11 1/8
54"	C4-54TU35-13	53 1/8	8 3/4	15 3/8	C5-54TU35-93	52 9/16	9 1/4	15 3/4	C6-54TU35-83	51 15/16	9 3/4	16 3/16	11 1/8
60"	C4-60TU35-13	59 1/8	8 3/4	15 3/8	C5-60TU35-93	58 9/16	9 1/4	15 3/4	C6-60TU35-83	57 15/16	9 3/4	16 3/16	11 1/8

CEMA C Unequal Impact assemblies are also available in 5" & 6" Ø



CEMA D Unequal Trougher



Belt Width	Standard Dimensions			
	B	E min.	E max.	F
24"	15 7/16	5	7	8
30"	21 3/8	5 3/4	9 1/2	10 1/2
36"	27 3/8	5 3/4	9 1/2	10 1/2
42"	33 3/8	5 3/4	9 1/2	10 1/2
48"	39 3/8	5 3/4	9 1/2	10 1/2
54"	45 3/8	7	9 1/2	10 1/2
60"	51 3/8	7	9 1/2	10 1/2

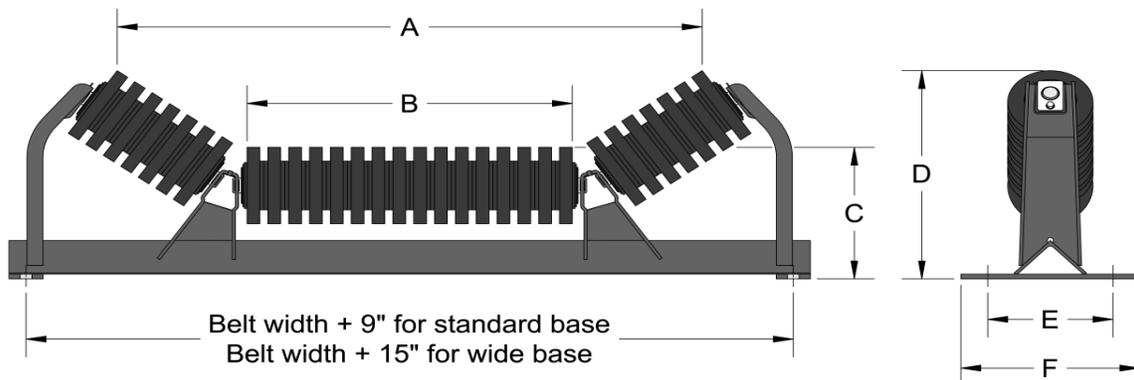
20 degree Unequal Troughers

Belt Width	5" Roll Diameter				6" Roll Diameter				BW
	Part Number	A	C	D	Part Number	A	C	D	
24"	D5-24TU20-93	26 5/16	8 7/16	10 3/8	D6-24TU20-83	26	8 15/16	10 13/16	5 7/16
30"	D5-30TU20-93	32 5/16	8 7/8	10 3/4	D6-30TU20-83	31 15/16	9 3/8	11 1/4	5 7/16
36"	D5-36TU20-93	38 5/16	8 7/8	10 3/4	D6-36TU20-83	37 15/16	9 3/8	11 1/4	5 7/16
42"	D5-42TU20-93	44 5/16	8 7/8	10 3/4	D6-42TU20-83	43 15/16	9 3/8	11 1/4	5 7/16
48"	D5-48TU20-93	50 5/16	9 1/4	11 3/16	D6-48TU20-83	49 15/16	9 3/4	11 5/8	5 7/16
54"	D5-54TU20-93	56 5/16	9 1/4	11 3/16	D6-54TU20-83	55 15/16	9 3/4	11 5/8	5 7/16
60"	D5-60TU20-93	62 5/16	9 1/4	11 3/16	D6-60TU20-83	61 15/16	9 3/4	11 5/8	5 7/16
72"	D5-72TU20-93	74 5/16	9 5/8	11 9/16	D6-72TU20-83	73 15/16	10 1/8	12 1/16	5 7/16

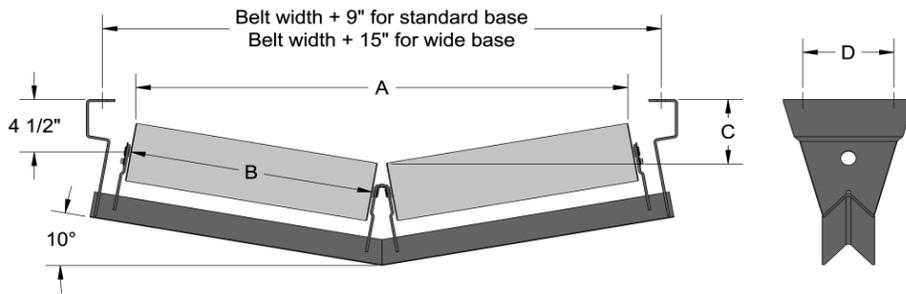
35 degree Unequal Troughers

Belt Width	5" Roll Diameter				6" Roll Diameter				BW
	Part Number	A	C	D	Part Number	A	C	D	
24"	D5-24TU35-93	25 1/4	8 7/16	12 7/16	D6-24TU35-83	24 11/16	8 15/16	12 7/8	6 3/4
30"	D5-30TU35-93	31	8 1/2	13 3/4	D6-30TU35-83	30 7/16	9	14 3/16	8 15/16
36"	D5-36TU35-93	35 5/16	8 7/8	14 1/8	D6-36TU35-83	34 3/4	9 3/8	14 9/16	8 15/16
42"	D5-42TU35-93	40 9/16	8 7/8	15 3/8	D6-42TU35-83	39 15/16	9 3/8	15 13/16	11 1/8
48"	D5-48TU35-93	46 9/16	8 7/8	15 3/8	D6-48TU35-83	45 15/16	9 3/8	15 13/16	11 1/8
54"	D5-54TU35-93	52 9/16	9 1/4	15 3/4	D6-54TU35-83	51 15/16	9 3/4	16 3/16	11 1/8
60"	D5-60TU35-93	58 9/16	9 1/4	15 3/4	D6-60TU35-83	57 15/16	9 3/4	16 3/16	11 1/8
72"	D5-72TU35-93	70 9/16	9 5/8	16 3/16	D6-72TU35-83	69 15/16	10 1/8	16 9/16	11 1/8

CEMA D Unequal Impact assemblies are also available in 5" & 6" Ø



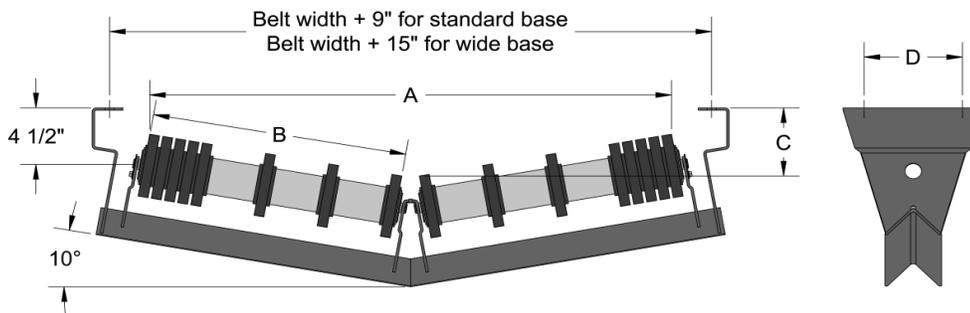
CEMA C VEE Returns



Std.	
D	B
4 - 9 1/2	13 5/8
4 - 9 1/2	16 11/16
4 - 9 1/2	19 3/4
4 - 9 1/2	22 13/16
6 - 9 1/2	25 7/8
6 - 9 1/2	28 7/8

VEE Return Steel

Belt Width	4" Roll Diameter			5" Roll Diameter			6" Roll Diameter		
	Part Number	A	C	Part Number	A	C	Part Number	A	C
24"	C4-24VR10-13	27 3/4	4 15/16	C5-24VR10-93	27 9/16	4 7/16	C6-24VR10-83	27 3/8	3 15/16
30"	C4-30VR10-13	33 3/4	5 7/16	C5-30VR10-93	33 9/16	4 15/16	C6-30VR10-83	33 3/8	4 7/16
36"	C4-36VR10-13	39 13/16	6	C5-36VR10-93	39 5/8	5 1/2	C6-36VR10-83	39 7/16	5
42"	C4-42VR10-13	45 13/16	6 1/2	C5-42VR10-93	45 5/8	6	C6-42VR10-83	45 7/16	5 1/2
48"	C4-48VR10-13	51 7/8	7 1/16	C5-48VR10-93	51 11/16	6 1/2	C6-48VR10-83	51 1/2	6 1/16
54"	C4-54VR10-13	57 3/4	7 9/16	C5-54VR10-93	57 9/16	7 1/16	C6-54VR10-83	57 7/16	6 9/16
60"	C4-60VR10-13	61 13/16	8 1/16	C5-60VR10-93	63 5/8	7 9/16	C6-60VR10-83	63 7/16	7 1/16

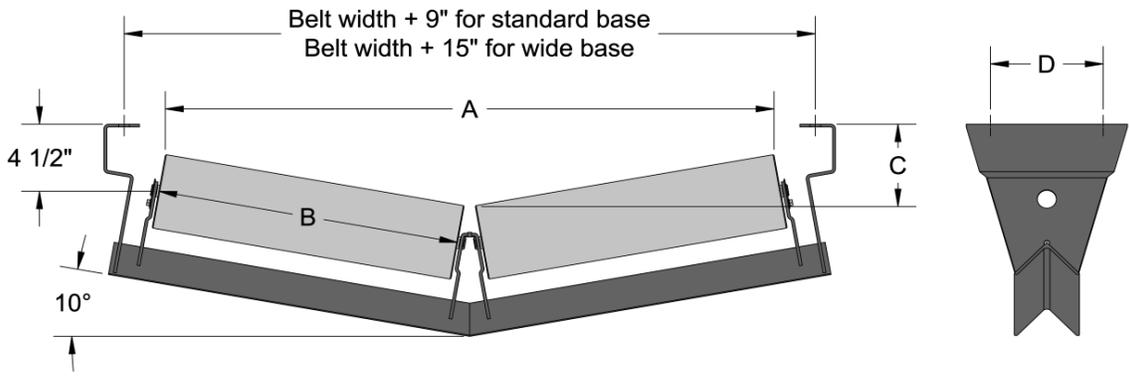


Std.	
D	B
4 - 9 1/2	13
4 - 9 1/2	16 1/16
4 - 9 1/2	19 1/8
4 - 9 1/2	22 3/16
6 - 9 1/2	25 1/4
6 - 9 1/2	28 1/4
6 - 9 1/2	31 5/16

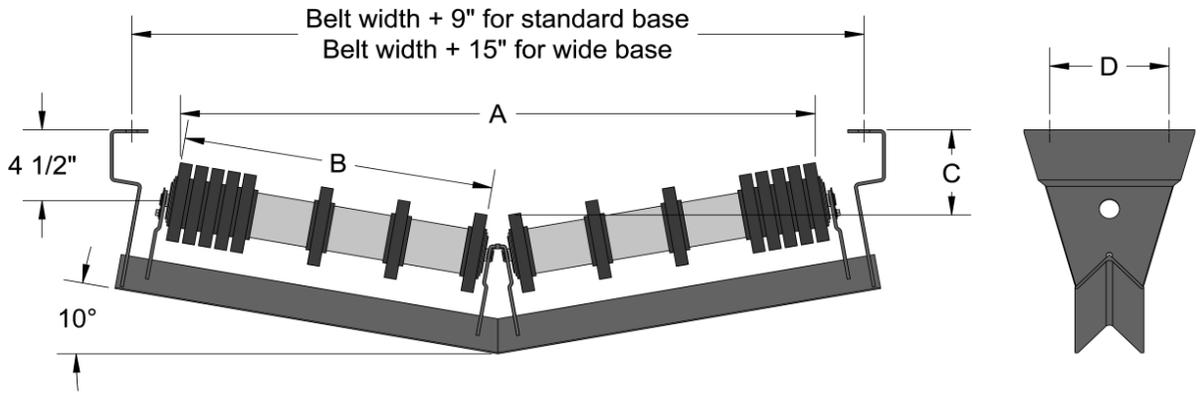
VEE Return Rubber Cushion

Belt Width	5" Roll Diameter			6" Roll Diameter		
	Part Number	A	C	Part Number	A	C
24"	C5-24VR10-C3	26 15/16	4 3/8	C6-24VR10-C3	26 3/4	3 7/8
30"	C5-30VR10-C3	33	4 7/8	C6-30VR10-C3	32 13/16	4 3/8
36"	C5-36VR10-C3	39	5 7/16	C6-36VR10-C3	38 13/16	4 15/16
42"	C5-42VR10-C3	45 1/16	5 15/16	C6-42VR10-C3	44 7/8	5 7/16
48"	C5-48VR10-C3	51 1/16	6 1/2	C6-48VR10-C3	50 7/8	6
54"	C5-54VR10-C3	57	7	C6-54VR10-C3	56 13/16	6 1/2
60"	C5-60VR10-C3	63	7 1/2	C6-60VR10-C3	62 13/16	7 1/16

CEMA D Vee Return

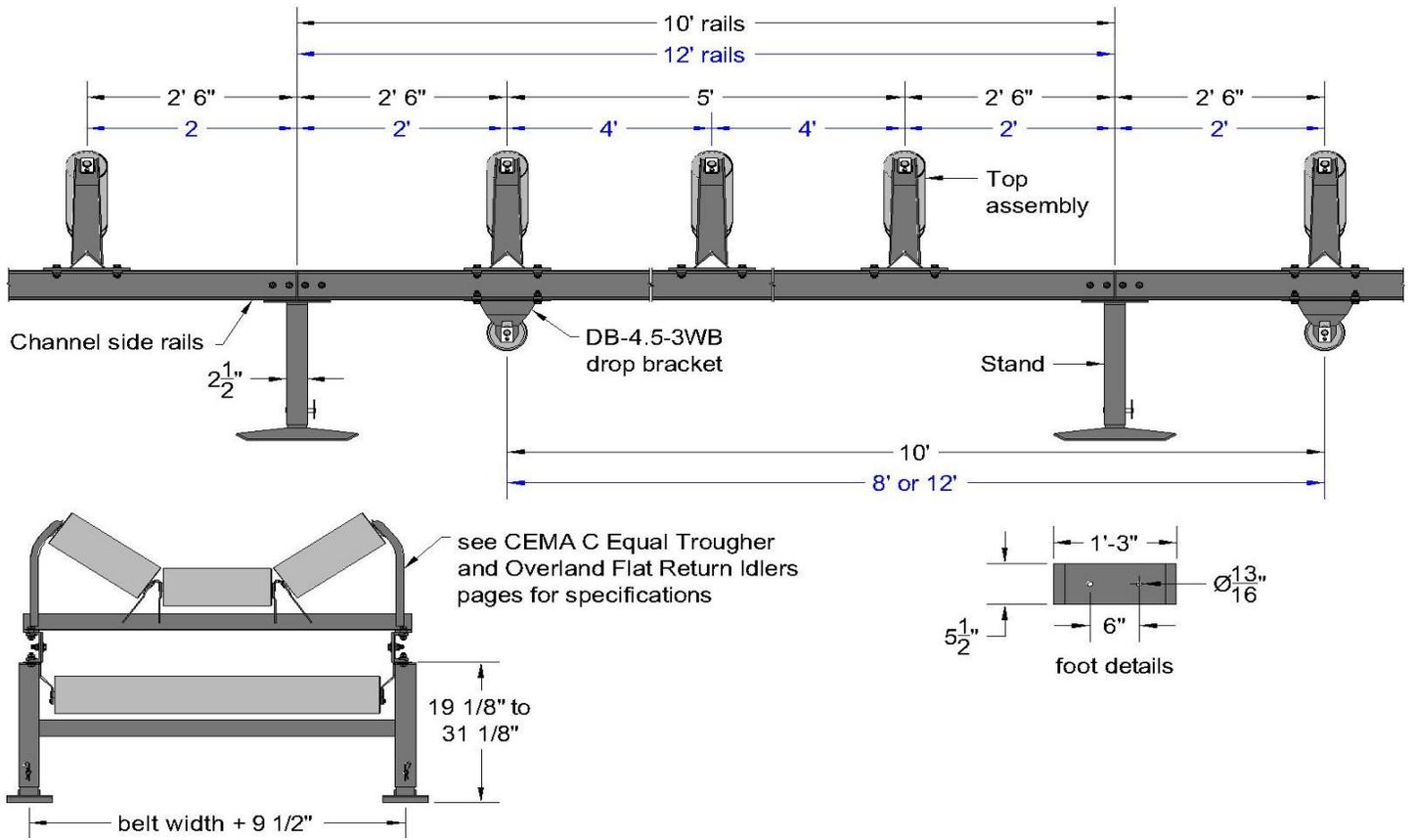


20 degree Equal Troughers								
Belt Width	5" Roll Diameter			6" Roll Diameter			Std	
	Part Number	A	C	Part Number	A	C	D	B
24"	D5-24VR10-93	27 9/16	4 7/16	D6-24VR10-83	27 3/8	3 15/16	4 - 9 1/2	13 5/8
30"	D5-30VR10-93	33 9/16	4 15/16	D6-30VR10-83	33 3/8	4 7/16	4 - 9 1/2	16 11/16
36"	D5-36VR10-93	39 5/8	5 1/2	D6-36VR10-83	39 7/16	5	4 - 9 1/2	19 3/4
42"	D5-42VR10-93	45 5/8	6	D6-42VR10-83	45 7/16	5 1/2	4 - 9 1/2	22 13/16
48"	D5-48VR10-93	51 11/16	6 1/2	D6-48VR10-83	51 1/2	6 1/16	6 - 9 1/2	25 7/8
54"	D5-54VR10-93	57 9/16	7 1/16	D6-54VR10-83	57 7/16	6 9/16	6 - 9 1/2	28 7/8
60"	D5-60VR10-93	63 5/8	7 9/16	D6-60VR10-83	63 7/16	7 1/16	6 - 9 1/2	31 15/16
72"	D5-72VR10-93	75 9/16	8 5/8	D6-72VR10-83	75 3/8	8 1/8	6 - 9 1/2	38



35 degree Equal Troughers								
Belt Width	5" Roll Diameter			6" Roll Diameter			Std	
	Part Number	A	C	Part Number	A	C	D	B
24"	D5-24VR10-C3	26 15/16	4 3/8	D6-24VR10-C3	26 3/4	3 7/8	4 - 9 1/2	13
30"	D5-30VR10-C3	33	4 7/8	D6-30VR10-C3	32 13/16	4 3/8	4 - 9 1/2	16 1/16
36"	D5-36VR10-C3	39	5 7/16	D6-36VR10-C3	38 13/16	4 15/16	4 - 9 1/2	19 1/8
42"	D5-42VR10-C3	45 1/16	5 15/16	D6-42VR10-C3	44 7/8	5 7/16	4 - 9 1/2	22 3/16
48"	D5-48VR10-C3	51 1/16	6 1/2	D6-48VR10-C3	50 7/8	6	6 - 9 1/2	25 1/4
54"	D5-54VR10-C3	57	7	D6-54VR10-C3	56 13/16	6 1/2	6 - 9 1/2	28 1/4
60"	D5-60VR10-C3	63	7 1/2	D6-60VR10-C3	62 13/16	7 1/16	6 - 9 1/2	31 5/16
72"	D5-72VR10-C3	74 15/16	8 9/16	D6-72VR10-C3	74 3/4	8 1/8	6 - 9 1/2	37 3/8

CEMA C Structure

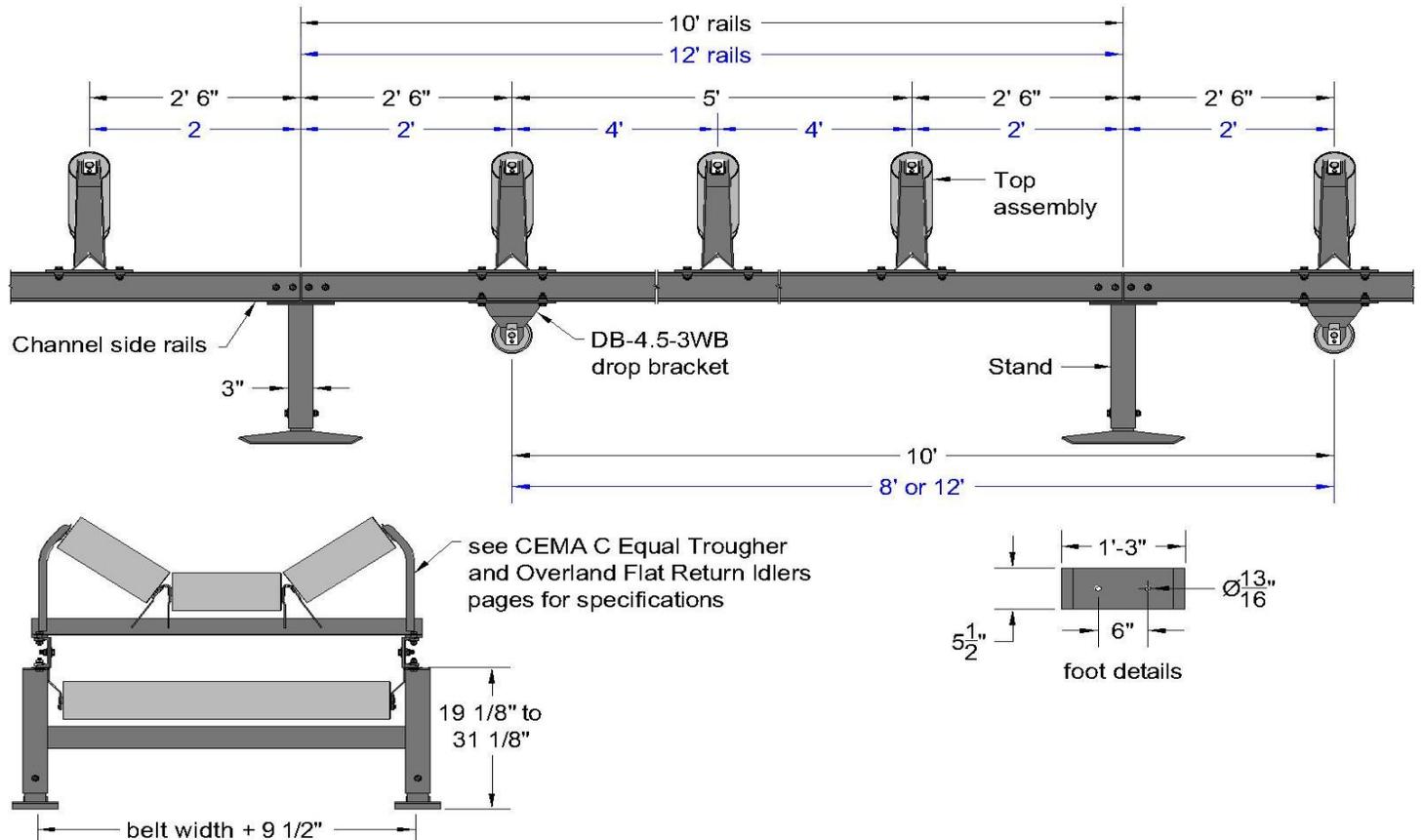


Belt Width	20 Degree Top Assemblies			35 Degree Top Assemblies		
	4" Dia Idlers	5" Dia Idlers	6" Dia Idlers	4" Dia Idlers	5" Dia Idlers	6" Dia Idlers
24"	C4-24TE20-13	C5-24TE20-93	C6-24TE20-83	C4-24TE35-13	C5-24TE35-93	C6-24TE35-83
30"	C4-30TE20-13	C5-30TE20-93	C6-30TE20-83	C4-30TE35-13	C5-30TE35-93	C6-30TE35-83
36"	C4-36TE20-13	C5-36TE20-93	C6-36TE20-83	C4-36TE35-13	C5-36TE35-93	C6-36TE35-83
42"	C4-42TE20-13	C5-42TE20-93	C6-42TE20-83	C4-42TE35-13	C5-42TE35-93	C6-42TE35-83
48"		C5-48TE20-93	C6-48TE20-83		C5-48TE35-93	C6-48TE35-83
54"		C5-54TE20-93	C6-54TE20-83		C5-54TE35-93	C6-54TE35-83

Belt Width	Return Idlers			4" Channel	5" Channel	6" Channel
	4" Dia Idlers	5" Dia Idlers	6" Dia Idlers	Stand Part #	Stand Part #	Stand Part #
24"	C4-24FLRN-13	C5-24FLRN-93	C6-24FLRN-83	OS-2440-1		
30"	C4-30FLRN-13	C5-30FLRN-93	C6-30FLRN-83	OS-3040-1	OS-3050-1	
36"	C4-36FLRN-13	C5-36FLRN-93	C6-36FLRN-83	OS-3640-1	OS-3650-1	OS-3660-1
42"	C4-42FLRN-13	C5-42FLRN-93	C6-42FLRN-83	OS-4240-1	OS-4250-1	OS-4260-1
48"		C5-48FLRN-93	C6-48FLRN-83	OS-4840-1	OS-4850-1	OS-4860-1
54"		C5-54FLRN-93	C6-54FLRN-83	OS-5440-1	OS-5450-1	OS-5460-1

Channel Side Rails		
Size	10' Rail Part #	12' Rail Part #
4"	OSR-410-12	
5"	OSR-510-12	OSR-512-16
6"	OSR-610-12	OSR-612-16

CEMA D Overland Structure

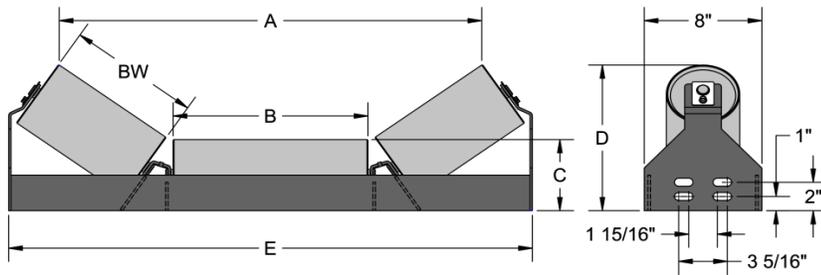


Belt Width	20 Degree Top Assemblies		35 Degree Top Assemblies	
	5" Dia Idlers	6" Dia Idlers	5" Dia Idlers	6" Dia Idlers
30"	D5-30TE20-93	D6-30TE20-83	D5-30TE35-93	D6-30TE35-83
36"	D5-36TE20-93	D6-36TE20-83	D5-36TE35-93	D6-36TE35-83
42"	D5-42TE20-93	D6-42TE20-83	D5-42TE35-93	D6-42TE35-83
48"	D5-48TE20-93	D6-48TE20-83	D5-48TE35-93	D6-48TE35-83
54"	D5-54TE20-93	D6-54TE20-83	D5-54TE35-93	D6-54TE35-83
60"	D5-60TE20-93	D6-60TE20-83	D5-60TE35-93	D6-60TE35-83

Belt Width	Return Idlers		4" Channel	5" Channel	6" Channel
	5" Dia Idlers	6" Dia Idlers	Stand Part #	Stand Part #	Stand Part #
30"	D5-30FLRN-93	D6-30FLRN-83	OS-3041-1	OS-3051-1	OS-3061-1
36"	D5-36FLRN-93	D6-36FLRN-83	OS-3641-1	OS-3651-1	OS-3661-1
42"	D5-42FLRN-93	D6-42FLRN-83	OS-4241-1	OS-4251-1	OS-4261-1
48"	D5-48FLRN-93	D6-48FLRN-83	OS-4841-1	OS-4551-1	OS-4861-1
54"	D5-54FLRN-93	D6-54FLRN-83		OS-5451-1	OS-5461-1
60"	D5-60FLRN-93	D6-60FLRN-83		OS-6051-1	OS-6061-1

Channel Side Rails		
Size	10' Rail Part #	12' Rail Part #
4"	OSR-410-12	
5"	OSR-510-12	OSR-512-16
6"	OSR-610-12	OSR-612-16

CEMA C Channel Inset Troughers



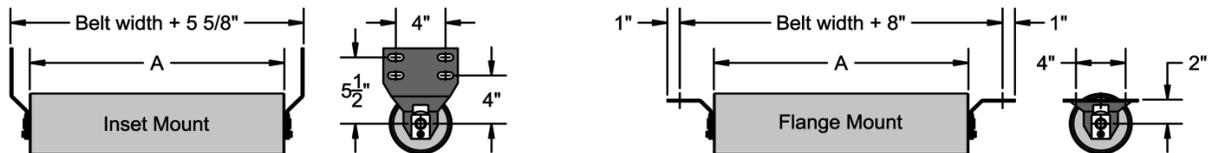
Belt Width	Standard Dimensions		
	B	BW	E
18"	6 3/4	5 3/4	23 5/8
20"	6 3/4	6 3/4	25 5/8
24"	11 1/8	6 3/4	29 5/8
30"	13 1/4	8 15/16	35 5/8
36"	15 7/16	11 1/8	41 5/8
42"	17 5/8	13 1/4	47 5/8
48"	19 3/4	15 7/16	53 5/8

20 degree Channel Inset Troughers

Belt Width	4" Roll Diameter				5" Roll Diameter			
	Part Number	A	C	D	Part Number	A	C	D
18"	C4-18CI20-13	18 1/2	4 1/2	6 9/16	C5-18CI20-93	18 3/16	5	7
20"	C4-20CI20-13	20 3/8	4 1/2	6 7/8	C5-20CI20-93	20 1/16	5	7 3/8
24"	C4-24CI20-13	24 3/4	4 1/2	6 7/8	C5-24CI20-93	24 7/16	5	7 3/8
30"	C4-30CI20-13	31	4 1/2	7 5/8	C5-30CI20-93	30 5/8	5	8 1/8
36"	C4-36CI20-13	37 1/4	4 1/2	8 3/8	C5-36CI20-93	36 15/16	5	8 7/8
42"	C4-42CI20-13	43 1/2	4 1/2	9 1/8	C5-42CI20-93	43 1/8	5	9 9/16
48"	C4-36CI20-13	49 11/16	4 1/2	9 7/8	C5-48CI20-93	49 3/8	5	10 5/16

35 degree Channel Inset Troughers

Belt Width	4" Roll Diameter				5" Roll Diameter			
	Part Number	A	C	D	Part Number	A	C	D
18"	C4-18CI35-13	17 9/16	4 1/2	8	C5-18CI35-93	17	5	8 7/16
20"	C4-20CI35-13	19 3/16	4 1/2	8 9/16	C5-20CI35-93	18 5/8	5	9
24"	C4-24CI35-13	23 9/16	4 1/2	8 9/16	C5-24CI35-93	23	5	9
30"	C4-30CI35-13	29 5/16	4 1/2	9 13/16	C5-30CI35-93	28 3/4	5	10 1/4
36"	C4-36CI35-13	35 1/16	4 1/2	11 1/16	C5-36CI35-93	34 1/2	5	11 1/2
42"	C4-42CI35-13	40 3/4	4 1/2	12 5/16	C5-42CI35-93	40 3/16	5	12 11/16
48"	C4-48CI35-13	46 7/16	4 1/2	13 9/16	C5-48CI35-93	45 7/8	5	14



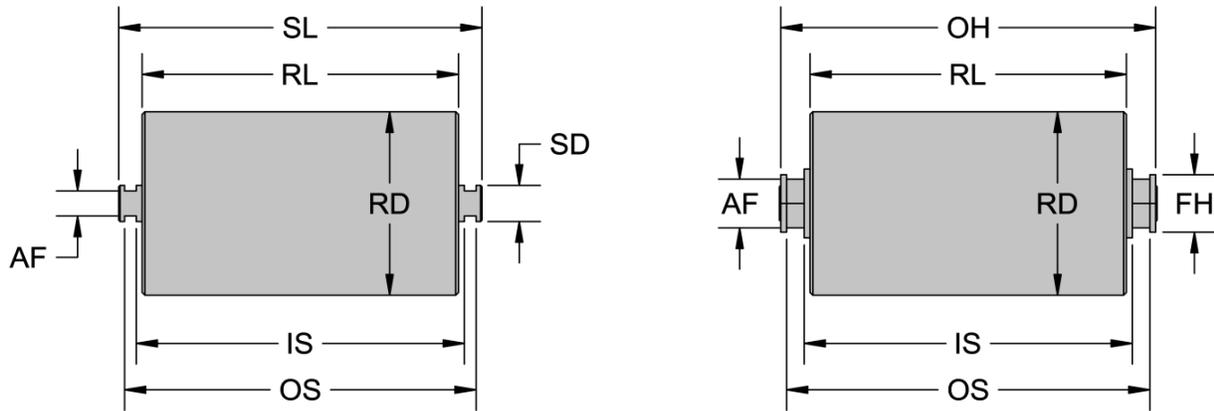
Channel Inset Return Idlers

Belt Width	5" Roll Diameter		6" Roll Diameter	
	Part Number	A	Part Number	A
18"	C4-18CIFR-13	20 1/2	C5-18CIFR-93	20 1/2
20"	C4-20CIFR-13	22 1/2	C5-20CIFR-93	22 1/2
24"	C4-24CIFR-13	26 1/2	C5-24CIFR-93	26 1/2
30"	C4-30CIFR-13	32 1/2	C5-30CIFR-93	32 1/2
36"	C4-36CIFR-13	38 1/2	C5-36CIFR-93	38 1/2
42"	C4-42CIFR-13	44 1/2	C5-42CIFR-93	44 1/2
48"	C4-48CIFR-13	50 1/2	C5-48CIFR-93	50 1/2

Inset Mount Drop Bracket
DB-4-5.5-IM

Flange Mount Drop Bracket
DB-2.0-FM

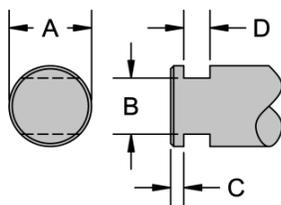
Replacement Idler Dimensioning Guide



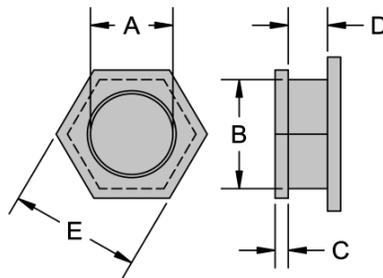
Roll Dimensions

Roll Manufacturer		CEMA rating	
Roll type - slot / nut		AF - Across Flats	
RD - Roll Diameter		IS - Inside of Slots	
RL - Roll Length		OS - Outside of Slots	
SD - Shaft Diameter		OH - Outside of Hex	
SL - Shaft Length		FH - Flange Hex	

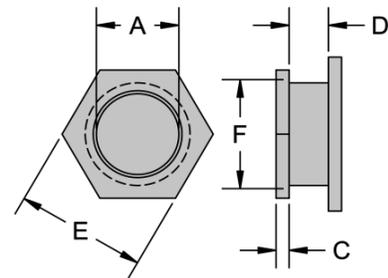
Slotted shaft



Nut type A



Nut type B



Shaft End Dimensions

A - Shaft diameter		D - Slot width	
B - Width across flats		E - Flange hex	
C - Flange width		F - Diameter	



K & K Conveyors
200 Airport Road, Indiana, PA 15701
(724) 463-5000