

# KAR4-H



Compatible with **CT-1** earth leakage transformers

## Multipoint earth leakage system for measurement and signalling with external transformer of the CT-1 series

### Description

Unit equivalent to **4** earth leakage protection networks. Features 4 independent programmable relays. Four inputs for connecting the external toroidal transformers of the **CT-1** series. Type-A relay with third harmonic filtering (settable). True root mean square (TRMS) measure. Fail safe function for each four relays. **Log tripped** residual current.

- Compact size: 3 modules
- Features 4 independent programmable outputs

### Applications

The **KAR4-H** multipoint earth leakage system associated with the **CT-1** transformers offers smart earth leakage protection. Its design features guarantee maximum security and electrical service continuity, avoiding unwanted tripping. Viewing the instantaneous leakage value on the display, together with the prealarm indicators, makes it possible to obtain information on the status of lines to be protected, and to perform adequate preventive maintenance.

In addition, version **KAR4-H 485** features RS-485 communications, with Modbus RTU protocol, offers centralised supervision in real time, as well as keeping a log of historical data for future analysis.

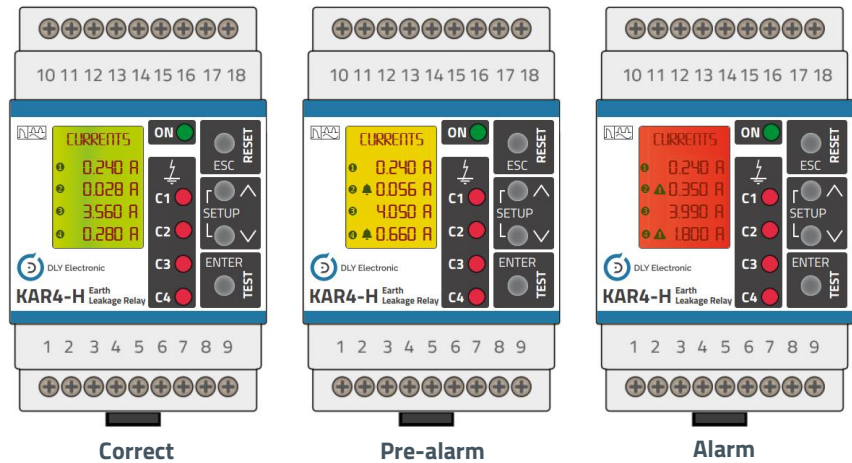
### Technical features

<b>Protection</b>	No. of protection elements	4 independent lines
	Tripping type	A
	Measurement	True root mean square (TRMS)
	Tripping set-point (I $\Delta$ )	0,03...30A
	Prealarm set-point	50...90%
	Tripping time (t)	0,02...10s
	Earth leakage transformer	External, <b>CT-1</b> series
	Test and reset	With built-in buttons or remote T & R
	LED indicators	Power supply voltage Leakage trip
	Display	Trip current (red display when tripped) Prealarm (yellow display) Instantaneous level of leakage indicator in each channel Parameter programming External transf. disconnected indicator
<b>Electrical features</b>	Auxiliary voltage	230 VAC ( $\pm$ 20%) 50 / 60 Hz
	Output contacts	230 VAC / 5 A
	Operating temperature	-10 ... +60 °C
<b>Mechanical features</b>	Attachment	DIN rail (IEC 60715)
	Dimensions	3 modules
	Weight	200g
	Protection degree	Front: IP40, IP20 on back panel
<b>Certifications</b>	<b>CE</b>	
<b>Standards</b>	<b>EN 61010, EN 61000-6-2, EN 61000-6-3, IEC/TR 60755 EN 60947-2 Annex M</b>	

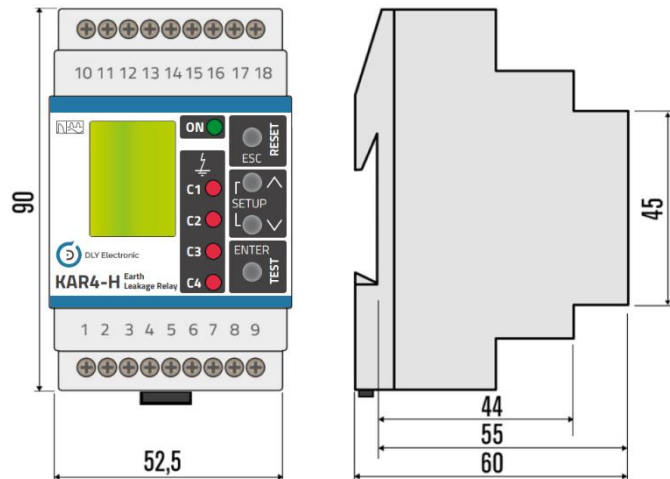
# KAR4-H

Multipoint earth leakage system for measurement and signalling with external transformer of the CT-1 series

## Operators and alarms with visual indications



## Dimensions



## Connections

