

# THE NEW EASYMAC DIVIDER **EASY ROUND RD**

The new generation **round divider** with high performance for industrial market

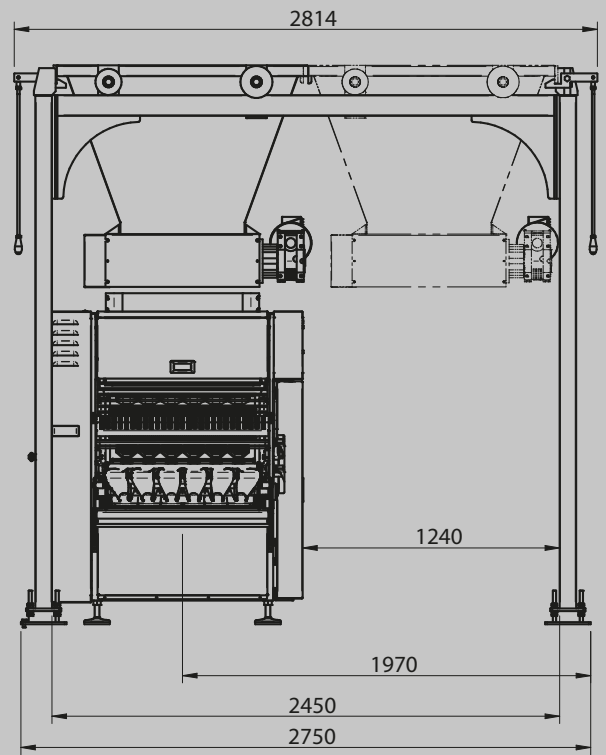
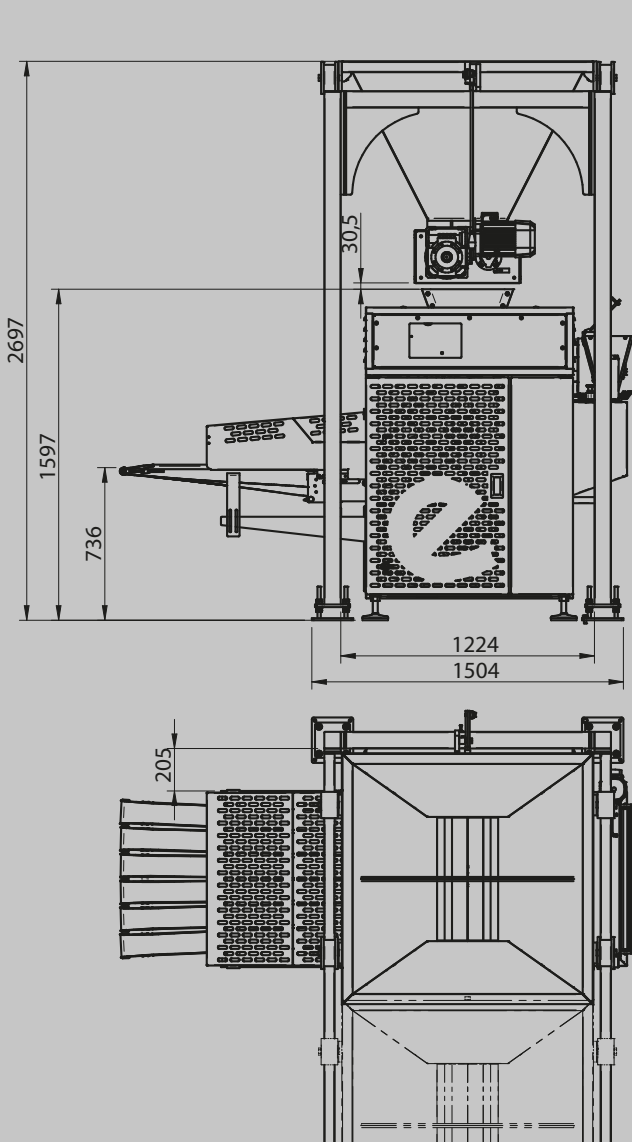


- Touchscreen Siemens Simatic 9"
- PLC Siemens S7 1500
- Drive Siemens - SEW
- Equipped with electric cabinet on board
- Flour duster with separate drive
- Exit belt with separate drive
- Stainless steel and alluminium
- Plastic steel dough hopper
- FDA rules
- In option stocking hopper



**EASY ROUND RD**

**easy**mac®  
foodmachinery



#### CAPACITY PRODUCTIVITY

number of rows	3	4	5	6	8	9	10
max weight dough (g)	340	340	340	340	200	200	200
min weight dough (g)	28	28	28	28	28	28	28
stroke minute	50	50	50	50	50	50	50
max pieces hour	9000	12000	15000	18000	24000	27000	30000
theoretically max							
production kg/hour	3060	4080	5100	6120	4800	5400	6000

The new generation **round divider** with high performance for industrial market

## EASY ROUND RD

#### TECHNICAL FEATURES OF ROUND DEVICE

Double pistons  
 Main drive: 5,5 kW  
 Electricity: 230/400/480 V  
 L x W x H: 1.300 x 2.450 x 1.600 mm

Number of rows: 3-10

Molding drive: 1,5 kW

Weight ca.: 1.850 kg

**easymac**<sup>®</sup>  
 foodmachinery

Easymac srl  
 Via Friuli, 7  
 36015 SCHIO (VI) Italy  
 Tel. +39 0445 1948031  
 info@easymac.it  
 www.easymac.it



MAKE UP | BREAD LINE  
 GLAZE MACHINE | INJECTION MACHINE  
 MUFFIN LINE | LAMINATING LINE | SCRAPS REMOVAL