



# SERVICE BULLETIN

DATE 10-23-70

BULLETIN NUMBER 1929

Of Interest  General Manager  Sales Manager  Service Manager  Parts Manager  Service Technician

SUBJECT: FUEL  
 SUJET: FUEL USAGE RECOMMENDATION

MODELS: ALL PASSENGER CARS AND  
 MODELES: TRUCKS

All 1971 and prior model passenger car "regular" fuel engines will operate satisfactorily, in normal usage, on 91 octane "low lead" or "low pollutant", gasolines containing at least 0.5 gram of lead or .07 gram of phosphorus per gallon, or equivalent additive.

These fuels are not suitable for use in the following passenger car engines which were designed specifically to operate on premium fuels:

<u>Model Year</u>	<u>Engine Description</u>
1971	340 C.I.D.
1971	426 C.I.D. Hemi
1971	440 C.I.D. H.P. 4-bbl. 9.7:1 Compression Ratio
1971	440 C.I.D. 3-2-bbl.
1970 and Prior	All Engines with 4-bbl. Carburetor or Multiple Carburetor installations.

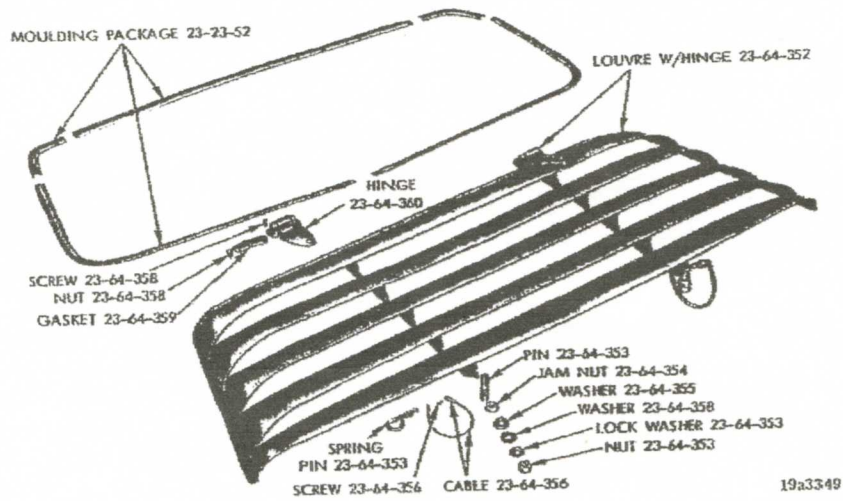
(THIS BULLETIN IS SUPPLIED AS TECHNICAL INFORMATION ONLY AND IS NOT AN AUTHORIZATION FOR REPAIRS)  
 (CE BULLETIN N'EST FOURNI À TITRE DE RENSEIGNEMENT TECHNIQUE SEULEMENT. IL N'AUTODISE AUPRES RÉPARATION)

Chrysler cautions against continuous use of completely lead-free or clear gasolines which do not contain suitable lubricating additives such as lead or phosphorus. Continuous use of such fuels in normal driving could cause valve seat burning, resulting in excessive emissions, poor performance and possible engine failure.

Some engines may require a retarded timing of up to 5 degrees from specifications to operate satisfactorily on low-lead or low-pollutant fuels. If an engine continues to have spark knock at any speed after timing is retarded 5 degrees from specifications, a higher octane fuel must be used.

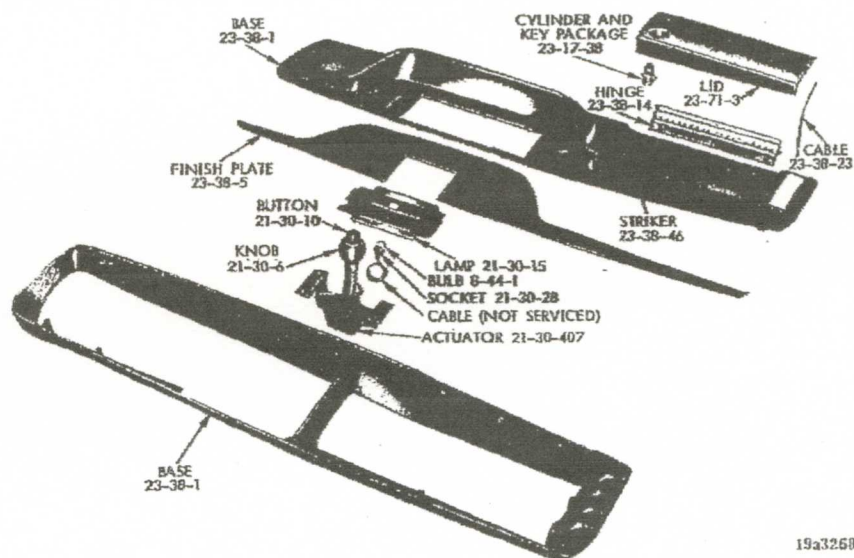


W. F. CHISHOLM  
SERVICE MANAGER



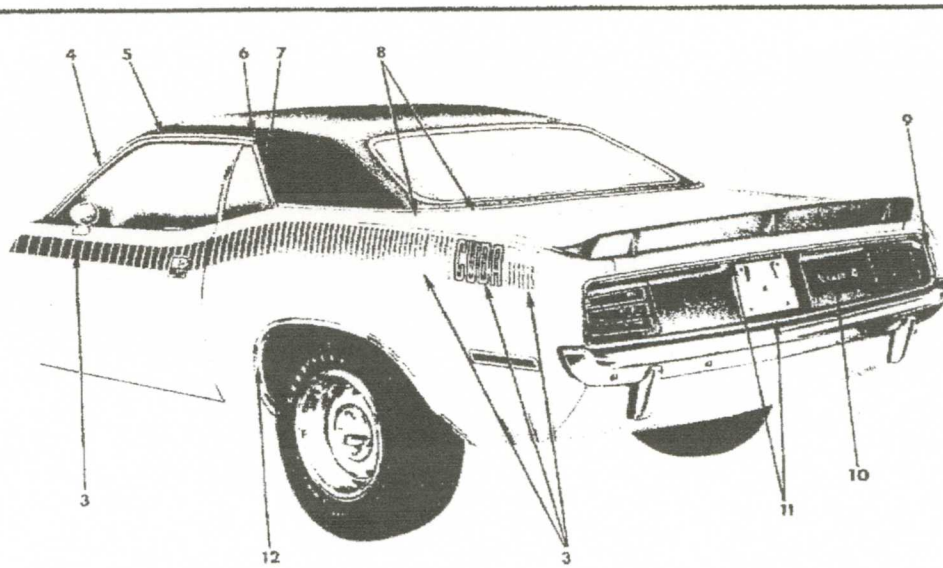
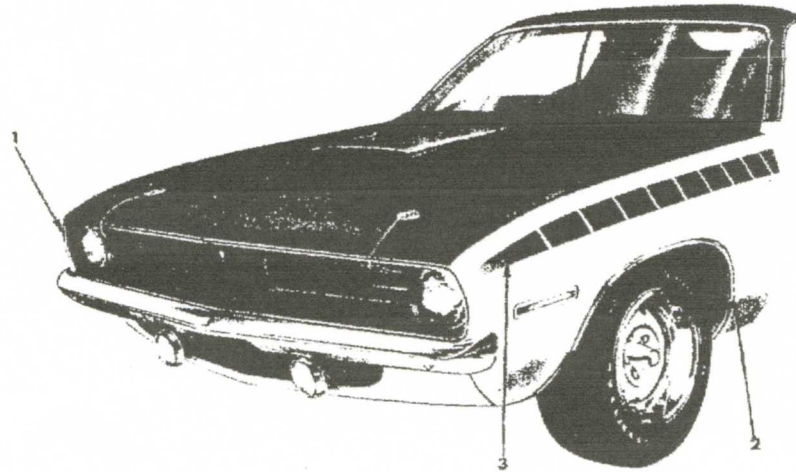
REAR WINDOW OUTSIDE LOUVRE - BARRACUDA AND CHALLENGER 2 DOOR HARDTOP

December 1971.



FLOOR CONSOLE (WITH AUTOMATIC TRANSMISSION) - BARRACUDA AND CHALLENGER

December 1971.



19a3360 A

1970

EXTERIOR VIEW - BARRACUDA (CUDA) (AAR) (TRANS-AM PROGRAM) E-S 2 DOOR HARDTOP

December 1971.

BODY

## 1970-71 PASSENGER CAR PARTS CATALOG

Illus. Page 23-149

REF. NO.	QTY	PART NUMBER	DESCRIPTION	REF. NO.	QTY	PART NUMBER	DESCRIPTION
1	1	3443 214-5	MOULDING, Headlamp Bezel (8-34-42)	9	1	3419 704-5	MOULDING PACKAGE, Deck Opng. Lwr. Pnl. End (23-23-23)
2	1	3419 702-3	MOULDING PACKAGE, Fender Wheel Opng. (12-15-2)	4	6001 432		Retainer w/Seal
	18	6024 271	Screw	4	1839 995		Nut
3			TAPE, Fender Side Color Stripe, "Black" (12-15-33)	10	1	3446 960	NAME PLATE, Deck Opng. Lwr. Pnl., "Cuda" (23-23-184) (UP TO Approx. April 1)
			TAPE, Door Outside Color Stripe, "Black" (23-23-12)		1	3570 071	NAME PLATE, Deck Opng. Lwr. Pnl., "Cuda" (23-34-184) (AFTER Approx. April 1)
			TAPE, Qtr. Pnl. Outside Color Stripe and Rear Cuda, "Black" (23-23-12)	11	2	3419 708	MOULDING PACKAGE, Deck Opng. Lwr. Pnl. Upr. and Lwr. (23-23-23)
	1	3685 396-7	TAPE PACKAGE, Body Side, Fender, Door, Qtr. Panel, "Black" (23-23-12)		6	6002 975	Retainer and Seal
4	1	3419 906-7	MOULDING PACKAGE, Body Front Pillar Drain Trough (23-59-61)	12	1	3419 784-5	MOULDING PACKAGE, Qtr. Outside Wheel Opening (23-23-39)
	6	6028 721	Screw	18	6024 271		Screw
5	1	3549 190-1	MOULDING PACKAGE, Roof Side Drain Trough, Front (23-59-61)				
	12	6028 721	Screw				
6	1	3444 582-3	CAP, Roof Side Drain Trough Front to Rear Corner (23-59-57)				
	2	6028 721	Screw				
7	1	3549 192-3	MOULDING PACKAGE, Roof Side Drain Trough, Rear (23-59-61)				
	4	6028 721	Screw				
8	1	3419 782-3	MOULDING PACKAGE, Qtr. Outside Belt, use w/Vinyl Roof (23-23-39)				
	2	6002 957	Retainer				
	6	9420 276	Nut				
	6	6002 247	Retainer				

All Packages include Attaching Parts

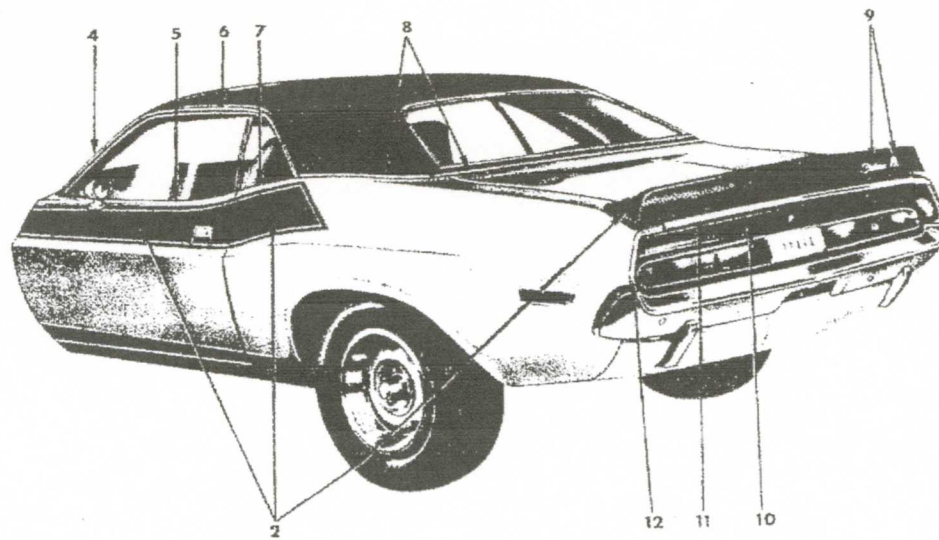
## NOTE:

WHERE NO PART NUMBER IS SHOWN FOR INDIVIDUAL TAPES SPECIFY TAPE PACKAGE. INDIVIDUAL TAPES ARE NO LONGER AVAILABLE.

1970

EXTERIOR VIEW - BARRACUDA (CUDA) (AAR) (TRANS-AM PROGRAM) B-S 2 DOOR HARDTOP

December 1971.



19a3370 A

1970  
EXTERIOR VIEW - CHALLENGER J-H 2 DOOR HARDTOP (TRANS-AM)

December 1971.

BCDY

1970-71 PASSENGER CAR PARTS CATALOG

Illus. Page 23-233

REF. NO.	QTY	PART NUMBER	DESCRIPTION
1	1	3549 699	MOULDING PACKAGE, Hood Front (15-25-2)
	8	441 239	Nut
	8	6002 320	Retainer
2			TAPE, Fender Color Stripe, "Black" (12-15-33)
			TAPE, Qtr. Pnl. Color Stripe, Rear, "Black" (23-23-12)
			Frnt., "Black" (23-23-12)
			TAPE, Door Outside Color Stripe Rt., "Black", w/ Rear View Mirror (23-23-12)
			Lt., "Black", w/ Rear View Mirror (23-23-12)
			Rt., "Black", w/o Mirror (23-23-12)
	1	3685 400-1	TAPE PACKAGE, Body Side, Fender, Door, Qtr. Panel, w/ Mirror (23-23-12)
	2	3685 398	w/o Mirror - Rt. Side
3	1	3570 554-5	DECAL, Fender Side, "340 Six Pack", "Black" (12-15-21)
4	1	3419 906-7	MOULDING PACKAGE, Body Front Pillar Drain Trough (23-59-61)
	6	6028 721	Screw
5	1	3549 648-9	MOULDING PACKAGE, Door Outside Belt (23-23-32)
	2	6028 755	Retainer
	2	6003 011	Retainer
	2	6003 010	Retainer
	6	6003 012	Retainer
	2	6003 009	Retainer
	2	116 000	Nut

REF. NO.	QTY	PART NUMBER	DESCRIPTION
6	1	3549 194-5	MOULDING PACKAGE, Roof Side Drain Trough (23-59-61)
	10	6028 721	Screw
7	1	2965 404-5	MOULDING, Qtr. Wdo. Outside Belt
	4	6003 012	Retainer
8	1	2965 408-9	MOULDING, Qtr. Outside Belt, w/ Vinyl Roof or Two Tone Paint (23-23-39)
	2	6002 297	Retainer
	2	9420 291	Nut
	2	6002 957	Retainer 8 6003 241 Retainer
9	1	3812 451	DECAL, Deck Spoiler, "Challenger T/A" (23-19-6)
10	1	3444 175	PANEL, Deck Lid Lwr. Finish (23-23-28)
	7	6028 013	Screw
	6	6002 974	Retainer
	6	9420 218	Nut
11	1	3419 709	MOULDING PACKAGE, Deck Lid Outside (23-23-30)
	7	6026 523	Nut
	7	6002 885	Retainer
12	1	3419 712-3	MOULDING PACKAGE, Qtr. Panel, Rear (23-23-39)
	6	6026 532	Nut
	6	6002 885	Retainer

All Packages include Attaching Parts

NOTE:

WHERE NO PART NUMBER IS SHOWN FOR INDIVIDUAL TAPES SPECIFY TAPE PACKAGE. INDIVIDUAL TAPES ARE NO LONGER AVAILABLE.

1970

EXTERIOR VIEW - CHALLENGER J-H 2 DOOR HARDTOP (TRANS-AM)

December 1971.