



**BINTELLI**

**(866) 542-8677**



**BINTELLI** **SERIES**  
**BEYOND** **LSV**

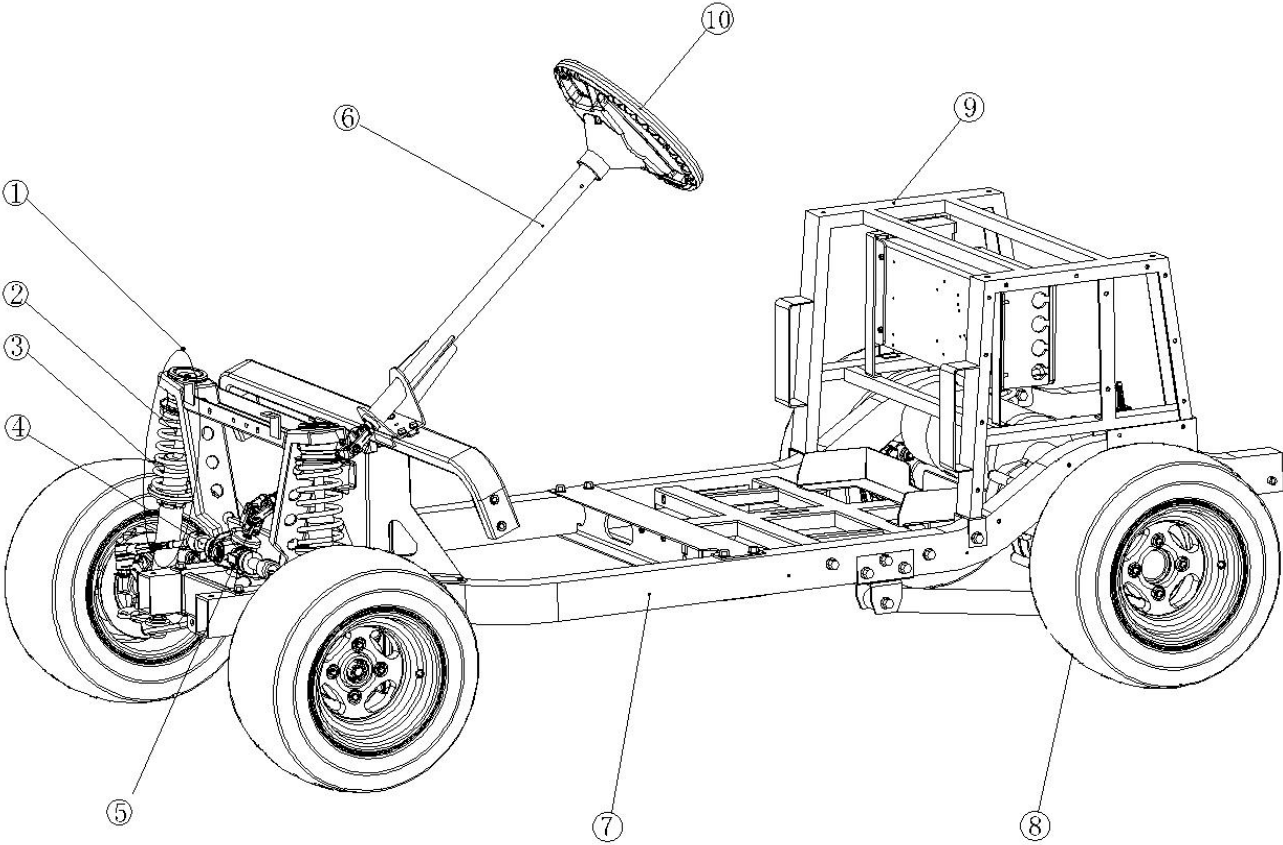
***BINTELLI BEYOND 4 PART MANUAL***

[WWW.BINTELLIEV.COM](http://WWW.BINTELLIEV.COM)

## Menu

|                                                            |    |
|------------------------------------------------------------|----|
| Chassis.....                                               | 3  |
| Chassis.....                                               | 5  |
| Steering Assembly .....                                    | 9  |
| Steering Wheel Assembly .....                              | 11 |
| Front Axle LH.....                                         | 13 |
| Front Axle RH .....                                        | 15 |
| Rear Axle Tube Assembly .....                              | 17 |
| Leaf Spring Assembly .....                                 | 19 |
| Disc brake.....                                            | 21 |
| Motor .....                                                | 23 |
| Front Body Panel .....                                     | 25 |
| Rear Body Panel.....                                       | 29 |
| Seat Bottom.....                                           | 33 |
| Rear Cowl.....                                             | 35 |
| Laminated Windshield Support Assembly (Foldable Seat)..... | 37 |
| Four Wheel Disc Brake .....                                | 41 |
| Brake Pedal Assembly .....                                 | 45 |

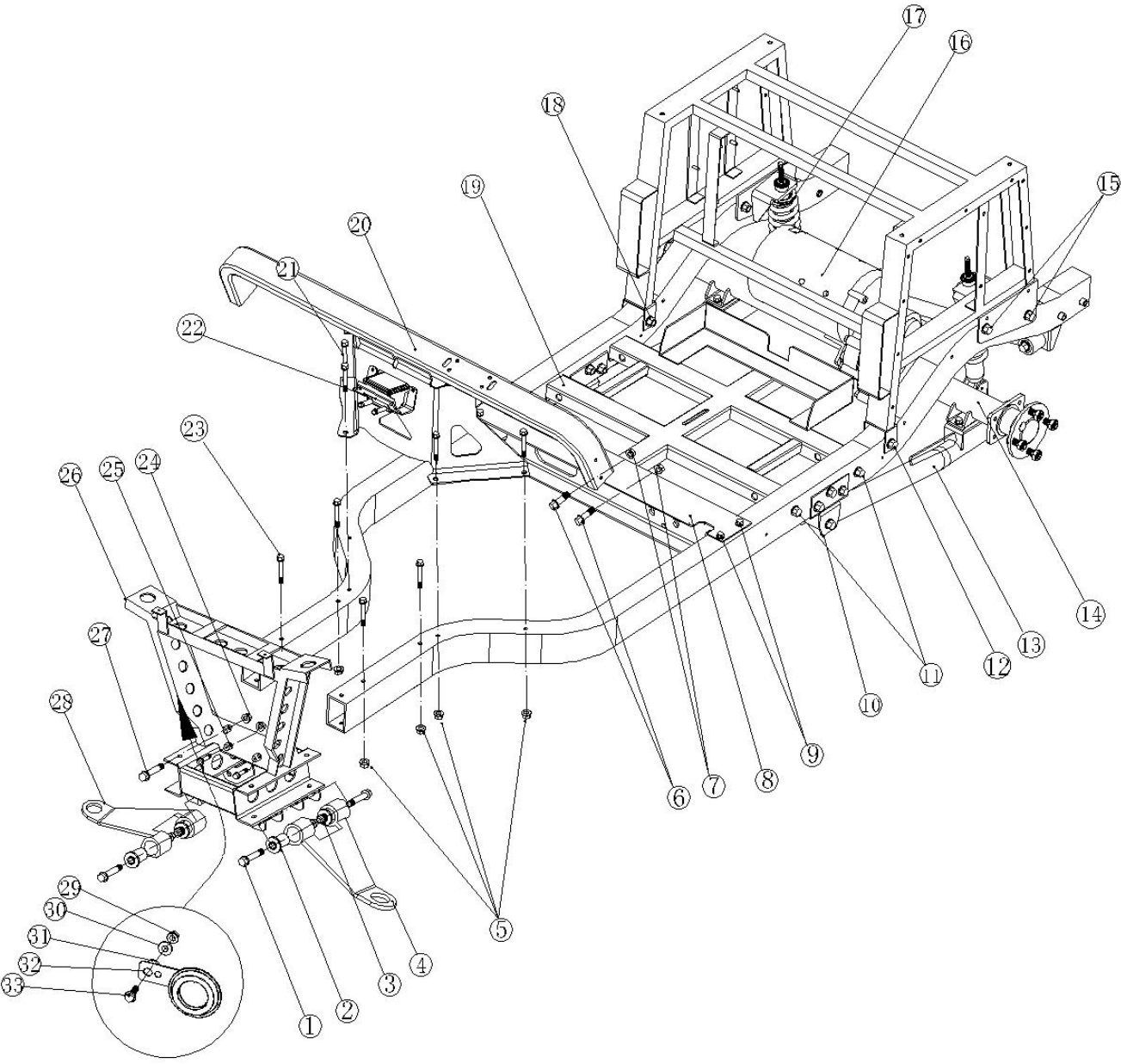
# Chassis



## Chassis

| No. | Description                   | Code           | Cps | Memo      |
|-----|-------------------------------|----------------|-----|-----------|
| 1   | Front Shock Absorber Assembly | 2.01.01.02.007 | 2   |           |
| 2   | Damper                        | 4.02.04.04.001 | 2   |           |
| 3   | A2 Spring                     | 4.02.04.01.020 | 2   |           |
| 4   | Steering assembly 73A         | 4.02.01.01.047 | 1   |           |
| 5   | Universal Joint Assembly      | 4.02.01.01.046 | 1   |           |
| 6   | Steering Column Assembly      | 4.02.01.01.045 | 1   |           |
| 7   | M H-shape Beam                | ***            | 1/1 |           |
| 8   | Tire and Rim Assembly         | 2.01.01.13.012 | 4   | 215/35-14 |
| 9   | Rear Body Support Assembly    | 3.02.01.33.014 | 1   |           |
| 10  | Steering Wheel Assembly       | 4.02.01.01.035 | 1   |           |

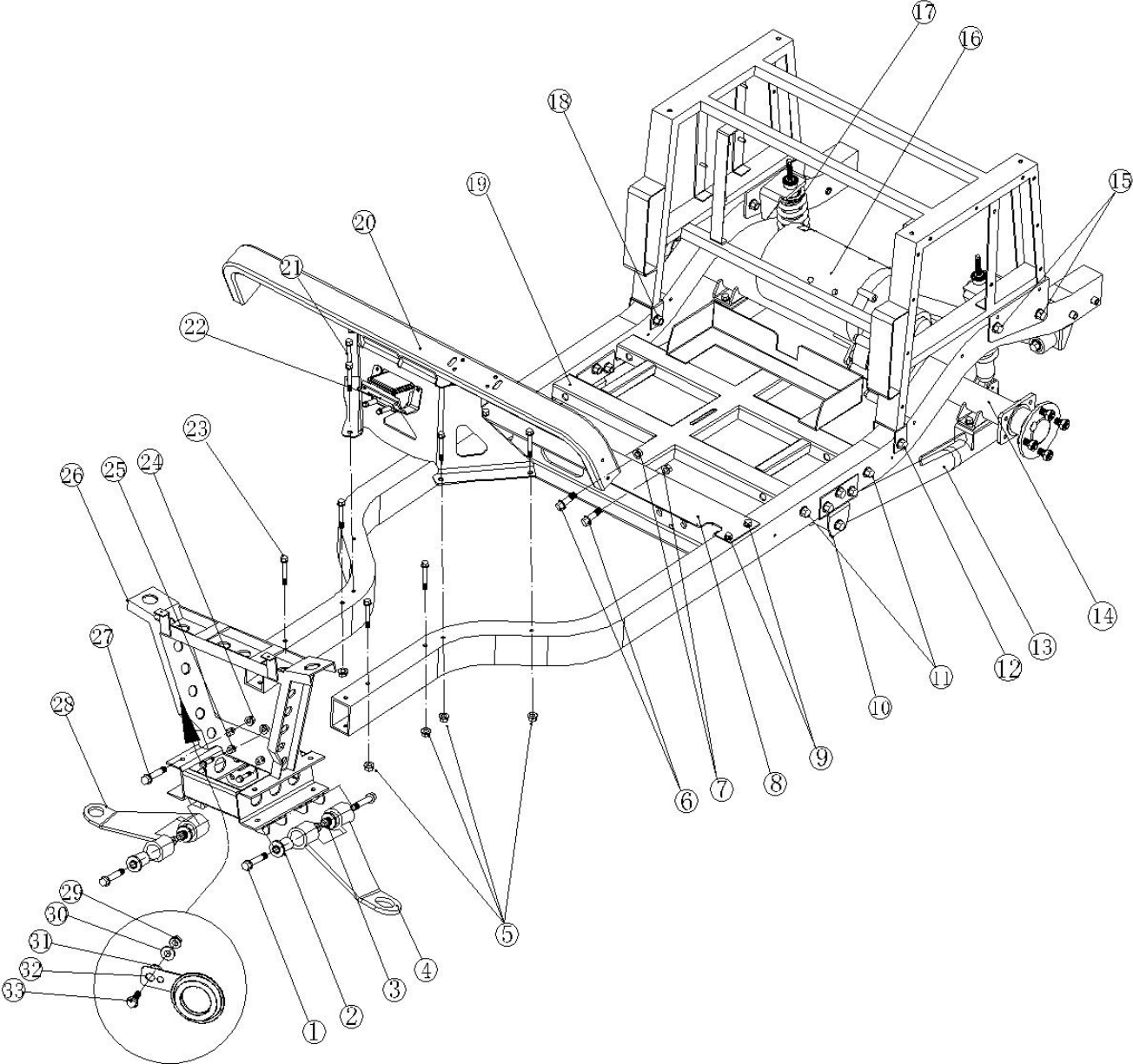
# Chassis



## Chassis

| No. | Description                         | Code           | Cps | Memo           |
|-----|-------------------------------------|----------------|-----|----------------|
| 1   | Screw Flange M12*75                 | 4.03.02.01.043 | 4   | M12*75         |
| 2   | Control Arm Bushing                 | 4.02.04.01.005 | 4   |                |
| 3   | Lock Nut M12*1.25                   | 4.03.04.01.005 | 4   | M12*1.25       |
| 4   | Control Arm/LH                      | 3.02.01.30.013 | 1   |                |
| 5   | Lock Nut M8*1.25                    | 4.03.04.01.003 | 8   | M8X1.25        |
| 6   | Screw Flange M8*20                  | 4.03.02.01.014 | 2   | M8*20          |
| 7   | Lock Nut M8*1.25                    | 4.03.04.01.003 | 2   | M8             |
| 8   | Chassis Cross Member                | 3.05.40.065    | 1   |                |
| 9   | Screw Flange M8*90                  | 4.03.02.01.027 | 4   | M8*90          |
| 10  | Bracket Rear Axle Tube              | 3.02.01.01.035 | 2   |                |
| 11  | Screw Flange M10*70                 | 4.03.02.01.038 | 4   | M10*70         |
| 12  | Screw Flange M10*70                 | 4.03.02.01.038 | 2   | M10*70         |
| 13  | Rear Axle Tube Kit                  | 2.01.01.07.001 | 1   |                |
| 14  | Transaxle 12: 1                     | 4.02.06.02.013 | 1   | 12:1           |
| 15  | Screw Flange M10*70                 | 4.03.02.01.038 | 4   | M10*70         |
| 16  | 5kw motor                           | 4.04.01.02.012 | 1   |                |
| 17  | Rear Shock Absorber<br>Assembly R-2 | 4.02.10.020    | 2   | R-3/9011130012 |
| 18  | Lock Nut M10*1.25                   | 4.03.04.01.004 | 10  | M10            |
| 19  | Battery support                     | 3.02.01.33.022 | 1   |                |

# Chassis

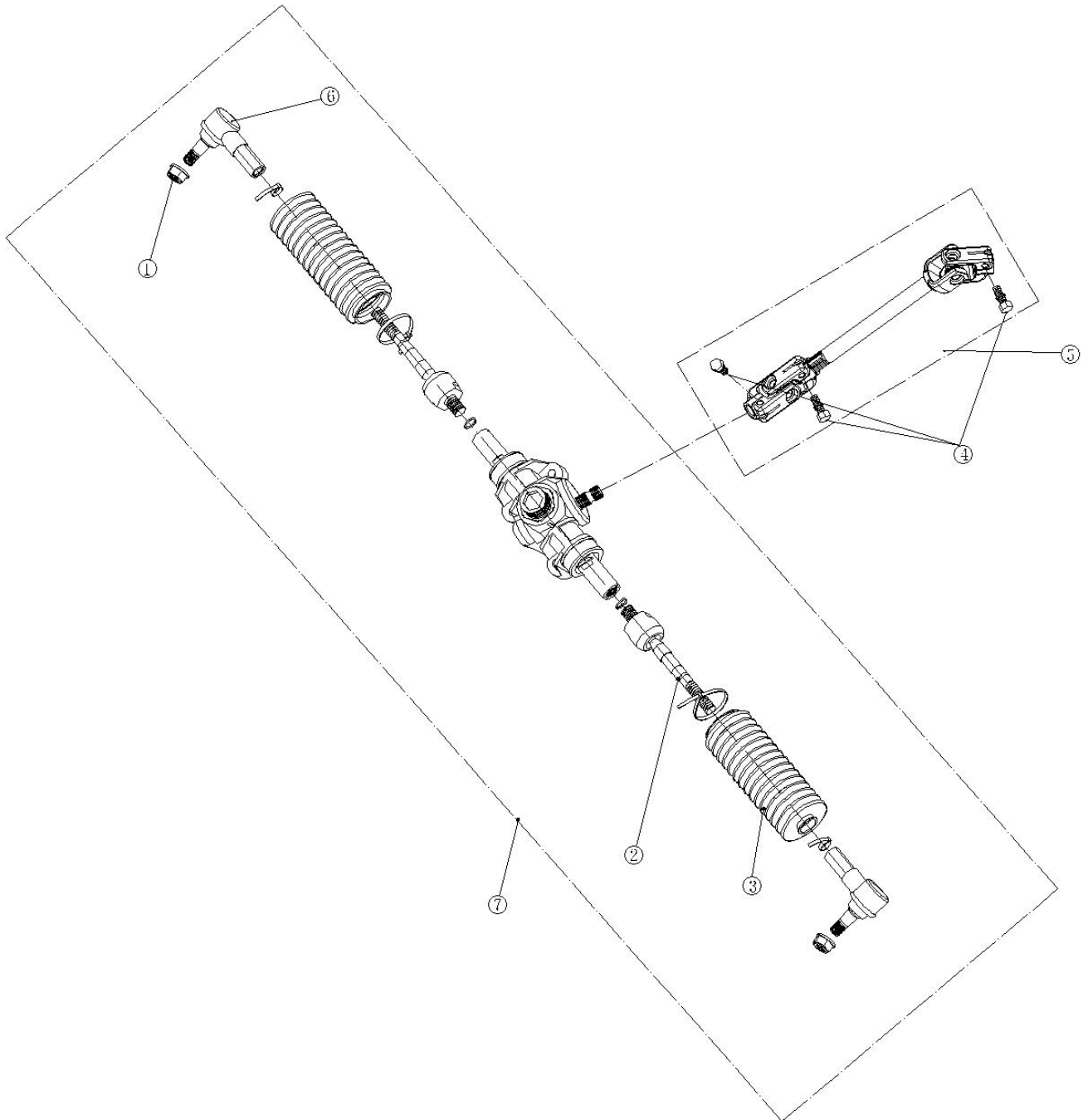


## Chassis

| No. | Description                   | Code           | Cps | Memo    |
|-----|-------------------------------|----------------|-----|---------|
| 20  | Front Under body Support      | 3.02.01.01.124 | 1   |         |
| 21  | Screw Flange M8*90            | 4.03.02.01.027 | 4   |         |
| 22  | Brake Reservoir Bracket       | 3.05.60.045    | 1   |         |
| 23  | Screw Flange M8*95            | 4.03.02.01.028 | 4   | M8*100  |
| 24  | Lock Nut M8*1.25              | 4.03.04.01.003 | 3   | M8*1.25 |
| 25  | Steering Assembly Spacer 15mm | 4.02.01.01.009 | 3   |         |
| 26  | Front Axle                    | 3.02.01.02.043 | 1   |         |
| 27  | Screw Flange M8*45            | 4.03.02.01.019 | 3   |         |
| 28  | Control Arm / RH              | 3.02.01.30.081 | 1   |         |
| 29  | Lock Nut M6*1.25              | 4.03.04.01.001 | 1   | M6      |
| 30  | Insulating Gasket C           | 3.04.04.018    | 1   |         |
| 31  | Insulating Gasket B           | 3.04.04.017    | 1   |         |
| 32  | Horn                          | 4.04.02.06.021 | 1   |         |
| 33  | Screw Flange M6*25            | 4.03.02.01.005 | 1   | M6*25   |



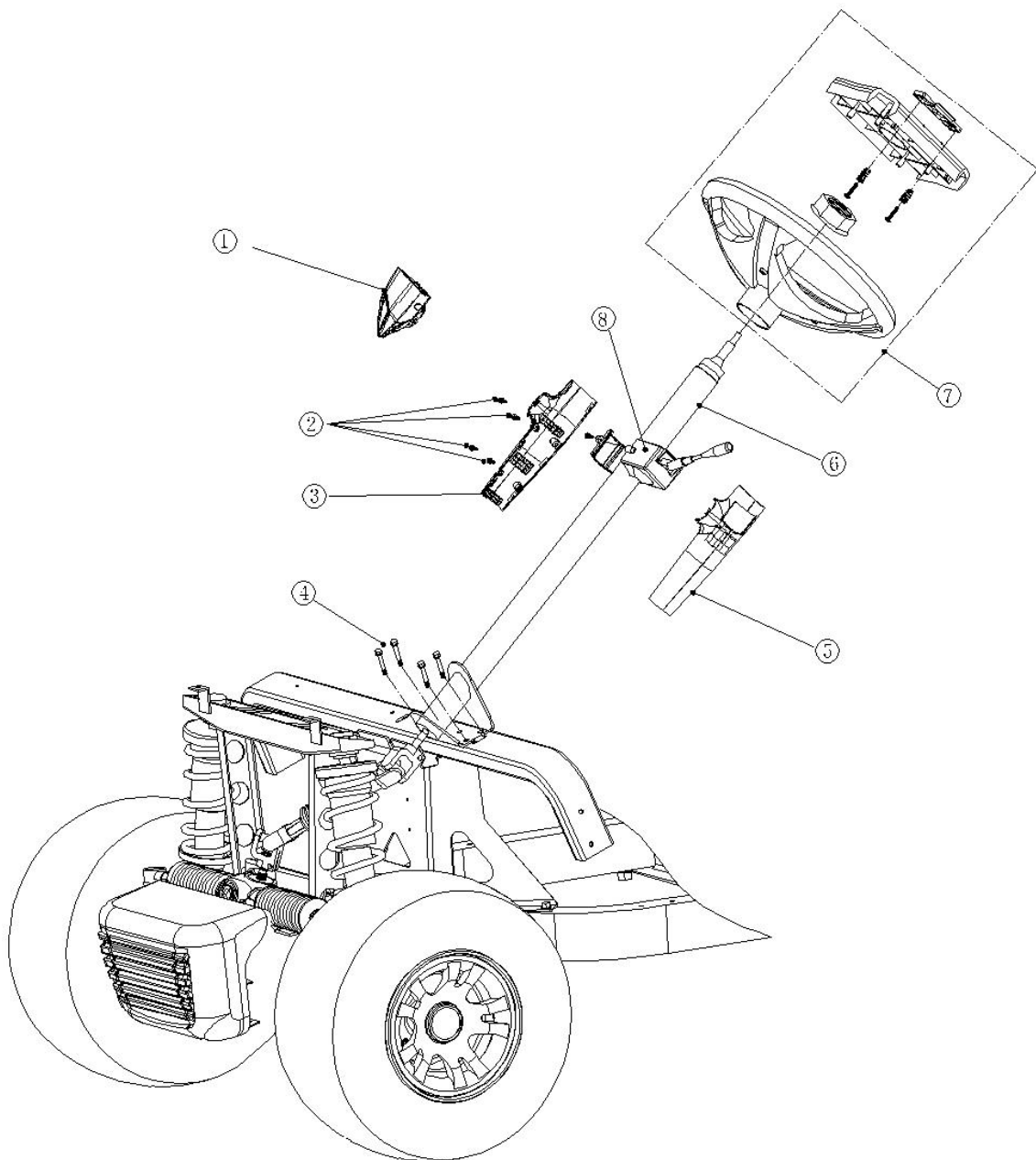
# Steering Assembly



## Steering Assembly

| No. | Description                 | Code           | Pcs | Memo        |
|-----|-----------------------------|----------------|-----|-------------|
| 1   | Lock Nut M12*1.25           | 4.03.04.01.005 | 2   | M12         |
| 2   | Steering Tie Rod            | 4.02.01.01.031 | 2   |             |
| 3   | Dust Cover                  | 4.02.01.01.043 | 2   | 73A         |
| 4   | Screw Flange M8*25          | 4.03.02.01.015 | 2   |             |
| 5   | Universal Joint<br>Assembly | 4.02.01.01.046 | 1   | Y04-3404006 |
| 6   | Tie Rod End                 | 4.02.01.01.044 | 2   |             |
| 7   | Steering Assembly           | 4.02.01.01.047 | 1   |             |

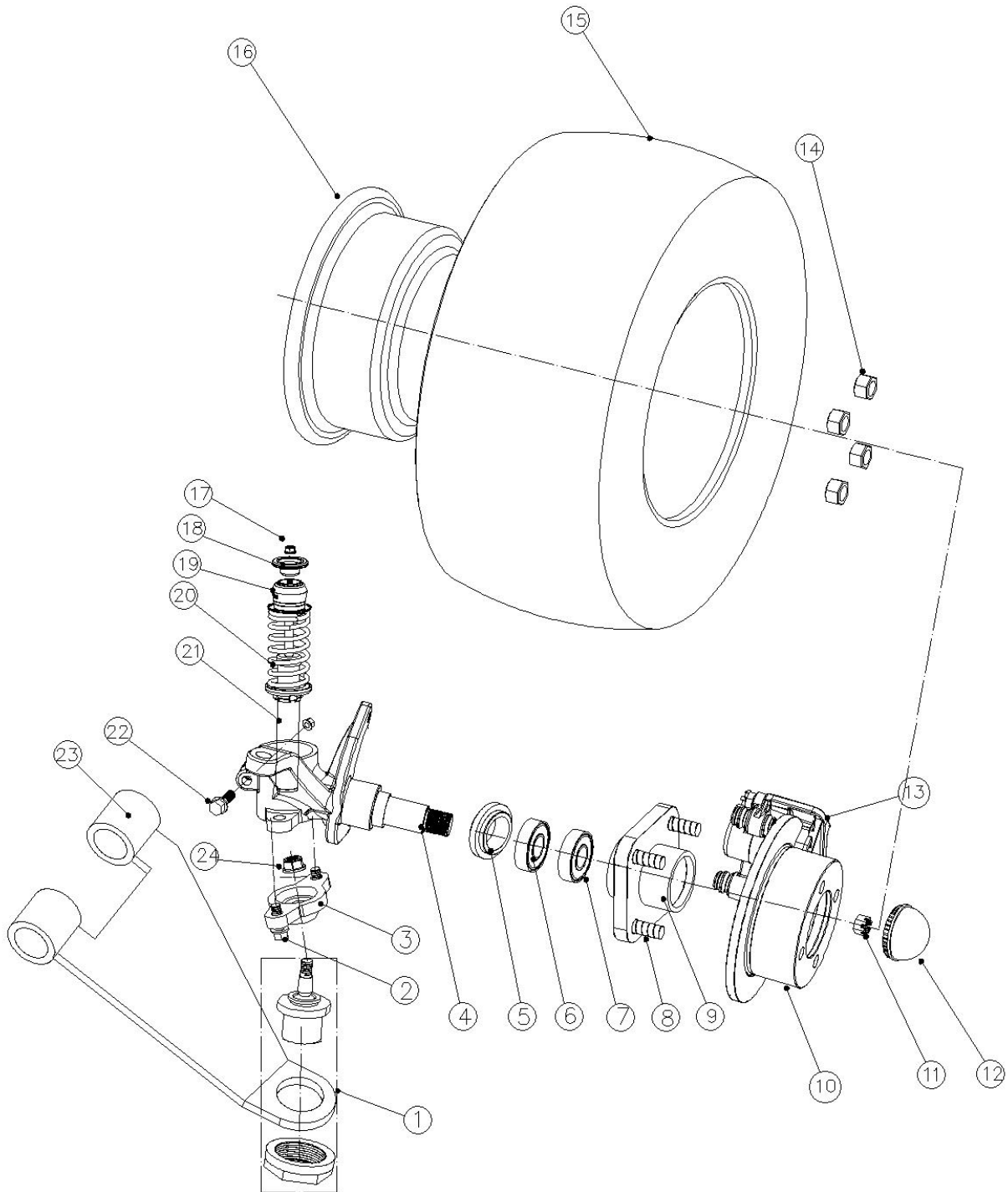
# Steering Wheel Assembly



## Steering Wheel Assembly

| No. | Description                | Code           | Pcs | Memo     |
|-----|----------------------------|----------------|-----|----------|
| 1   | Digital Speedometer        | 2.06.03.03.004 | 1   |          |
| 2   | Self-tapping Screw M5*16   | 4.03.02.06.007 | 4   | 5*16     |
| 3   | Steering Column Cover / RH | 4.05.01.33.021 | 1   |          |
| 4   | Screw Flange M8*20         | 4.03.02.01.014 | 4   | +304GB93 |
| 5   | Steering Column Cover / LH | 4.05.01.33.020 | 1   |          |
| 6   | Steering Column            | 4.02.01.01.045 | 1   |          |
| 7   | Steering wheel             | 4.02.01.01.074 | 1   | 5115     |
| 8   | Combination Switch         | 4.04.14.01.015 | 1   |          |

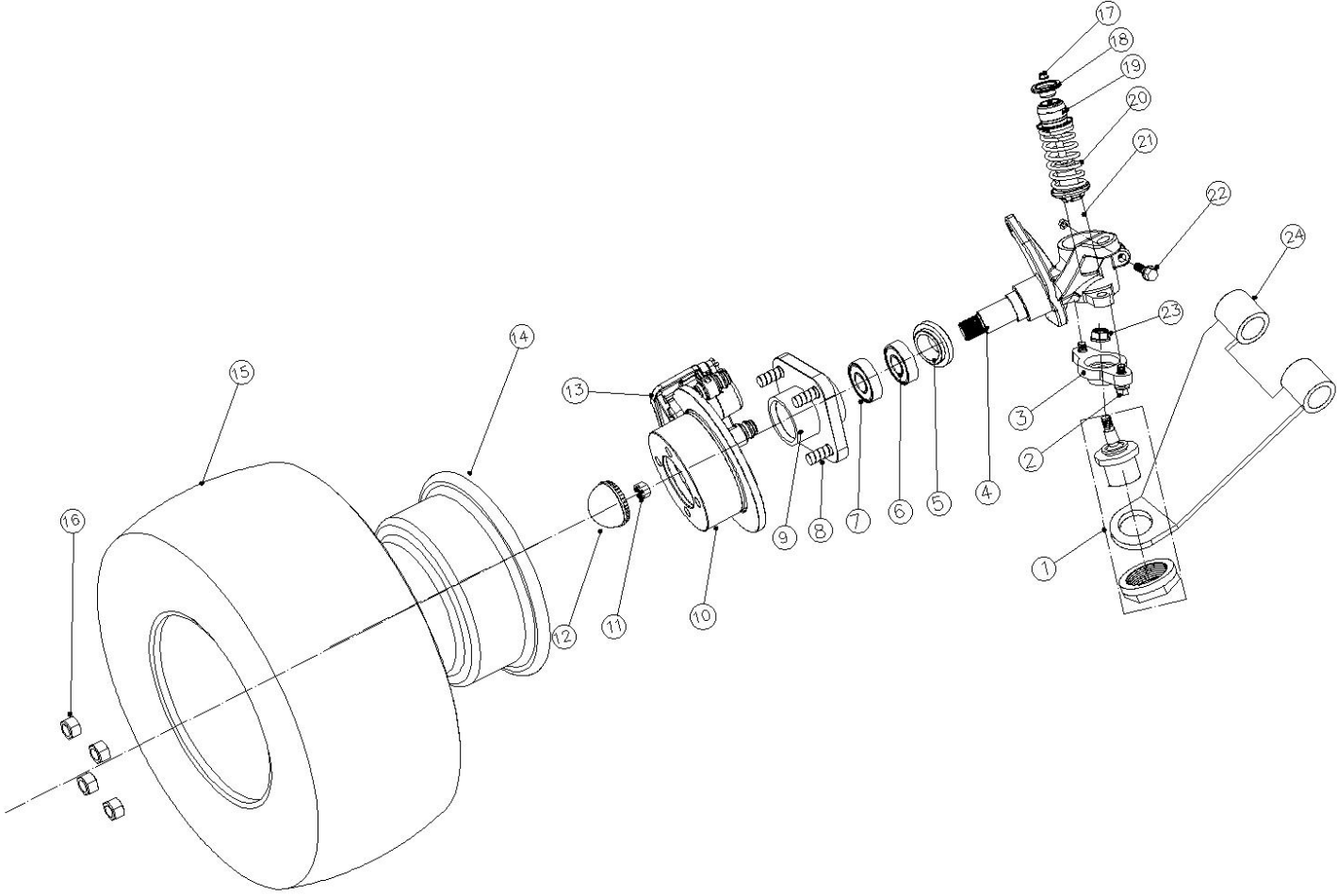
# Front Axle LH



## Front Axle LH

| No. | Description                     | Code           | Pcs | Memo      |
|-----|---------------------------------|----------------|-----|-----------|
| 1   | Tie Rod, Control Arm            | 4.02.04.01.046 | 2   |           |
| 2   | Screw Flange                    | 4.03.02.01.032 | 4   |           |
| 3   | Spindle Shaft Base              | 4.02.01.01.018 | 2   |           |
| 4   | Disc-Brake Spindle / LH         | 4.02.02.10.006 | 1   |           |
| 5   | Oil Seal / Hub 30*47*8mm        | 4.05.04.01.008 | 1   | 30*47*8   |
| 6   | Bearing 32005                   | 4.03.01.02.014 | 1   |           |
| 7   | Bearing 32005                   | 4.03.01.02.014 | 1   |           |
| 8   | Hub screw 1/2-20*32             | 4.03.02.02.001 | 8   | 1/2-20*32 |
| 9   | Hub assembly                    | 4.02.01.01.036 | 2   |           |
| 10  | Front Brake Disc                | 4.02.05.03.004 | 2   |           |
| 11  | Split Nut                       | 4.03.04.03.007 | 2   | M20*1.5   |
| 12  | Hub Cap                         | 4.05.04.03.006 | 2   |           |
| 13  | Front Caliper / LH              | 4.02.05.04.001 | 2   |           |
| 14  | Alum rim nut/M1/2-20            | 4.03.04.03.003 | 8   |           |
| 15  | Tire                            | 4.02.07.01.089 | 4   | 215/35-14 |
| 16  | Alum rim/A0761475<br>14*7/ET-10 | 4.02.13.01.002 | 4   |           |
| 17  | Lock nut M12*1.25               | 4.03.04.01.005 | 2   | M12       |
| 18  | Shock Absorber Upper Plate      | 4.02.04.04.002 | 2   |           |
| 19  | Rubber Buffer                   | 4.02.04.01.036 | 2   |           |
| 20  | A2 Spring                       | 4.02.04.01.020 | 2   |           |
| 21  | TF-2 Damper                     | 4.02.04.04.001 | 2   |           |
| 22  | Screw Flange M8*40              | 4.03.02.01.008 | 2   |           |
| 23  | Control Arm/LH                  | 3.02.01.30.013 | 1   |           |
| 24  | Lock Nut M10*1.25               | 4.03.04.01.004 | 2   | M10*1.25  |

# Front Axle RH

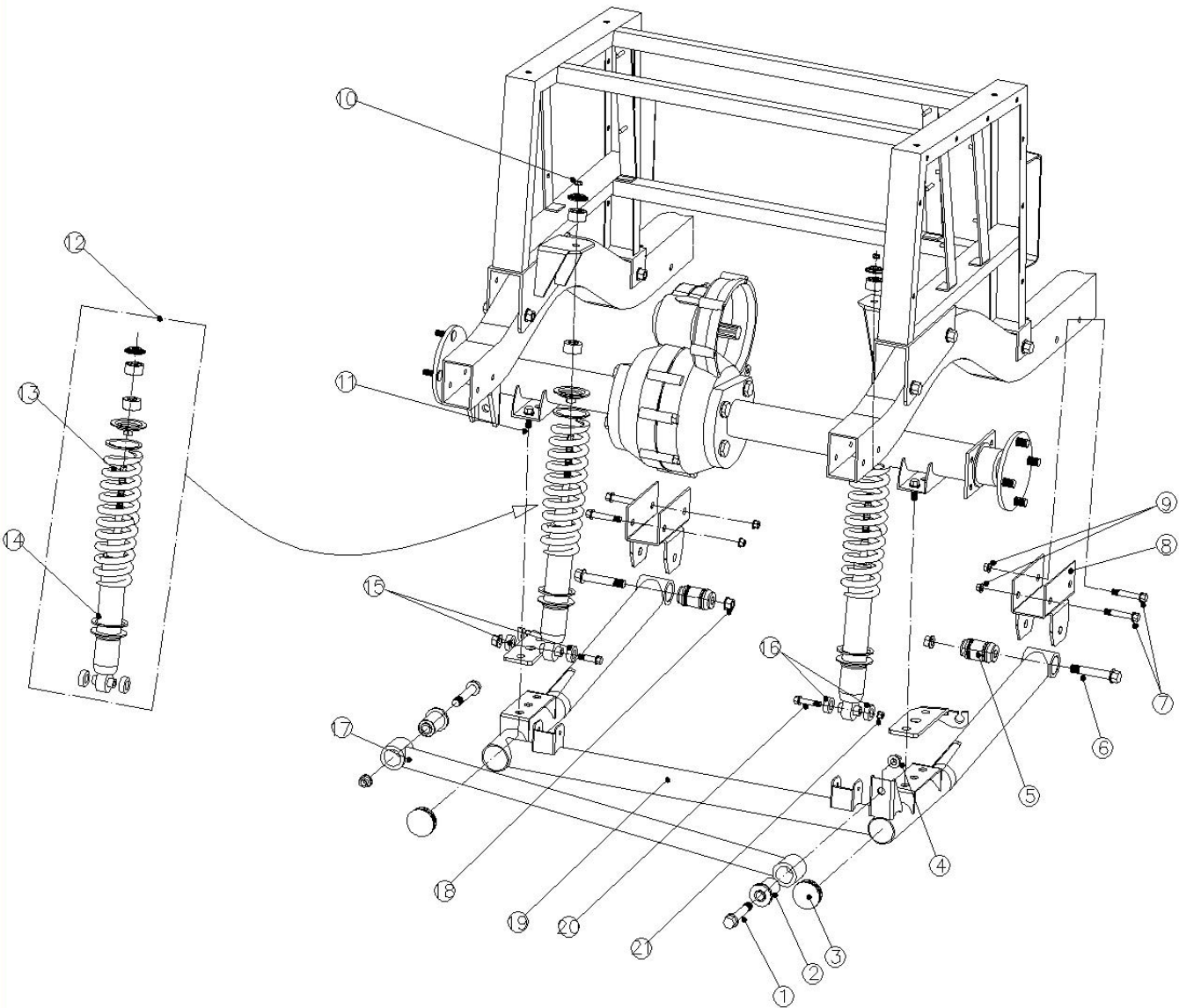


## Front Axle RH

| No. | Description ENG                 | Code           | Pcs | Memo        |
|-----|---------------------------------|----------------|-----|-------------|
| 1   | Tie Rod, Control Arm            | 4.02.04.01.046 | 2   |             |
| 2   | Screw Flange M10*25             | 4.03.02.01.032 | 4   |             |
| 3   | Spindle Shaft Base              | 4.02.01.01.018 | 2   |             |
| 4   | Disc-Brake Spindle / RH         | 4.02.02.10.007 | 1   |             |
| 5   | Oil Seal / Hub 30*47*8mm        | 4.05.04.01.008 | 1   |             |
| 6   | Bearing 32005                   | 4.03.01.02.014 | 1   |             |
| 7   | Bearing 32005                   | 4.03.01.02.014 | 1   |             |
| 8   | Hub screw 1/2-20*32             | 4.03.02.02.001 | 8   |             |
| 9   | Hub assembly                    | 4.02.01.01.036 | 2   |             |
| 10  | Front Brake Disc                | 4.02.05.03.004 | 2   |             |
| 11  | Split Nut M20*1.5               | 4.03.04.03.007 | 2   |             |
| 12  | Hub Cap                         | 4.05.04.03.006 | 2   |             |
| 13  | Front Caliper / RH              | 4.02.05.01.039 | 2   |             |
| 14  | Alum rim/A0761475<br>14*7/ET-10 | 4.02.13.01.002 | 4   |             |
| 15  | Tire                            | 4.02.07.01.089 | 4   | 215/35-14   |
| 16  | Alum rim nut/M1/2-20            | 4.03.04.03.003 | 8   |             |
| 17  | Lock nut M12*1.25               | 4.03.04.01.005 | 2   | M12*1.25    |
| 18  | Shock Absorber Upper<br>Plate   | 4.02.04.04.002 | 2   |             |
| 19  | Rubber Buffer                   | 4.02.04.01.036 | 2   |             |
| 20  | A2 Spring                       | 4.02.04.01.020 | 1   |             |
| 21  | TF-2 Damper                     | 4.02.04.04.001 | 1   | 907114-0013 |
| 22  | Screw Flange M8*40              | 4.03.02.01.018 | 2   |             |
| 23  | Lock Nut M10*1.25               | 4.03.04.01.004 | 2   | M10         |
| 24  | Control Arm / RH                | 3.02.01.30.081 | 1   |             |



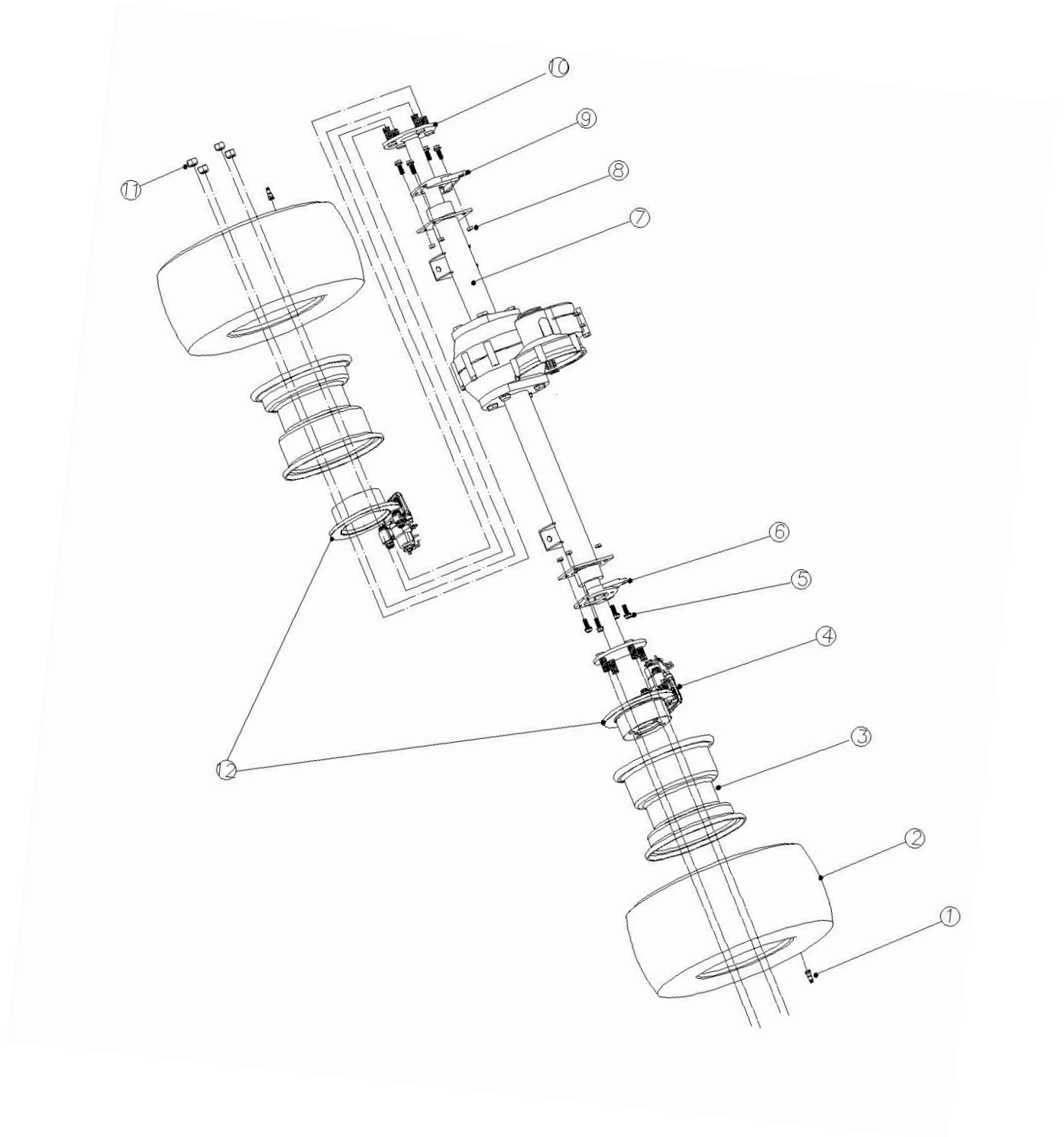
# Rear Axle Tube Assembly – Standard Model



## Rear Axle Tube Assembly – Standard Model

| No. | Description                         | Code           | Pcs | Memo           |
|-----|-------------------------------------|----------------|-----|----------------|
| 1   | Screw Flange M12*75                 | 4.03.02.01.043 | 2   | M12*75         |
| 2   | Control Arm Bushing                 | 4.02.04.01.005 | 2   | TS60           |
| 3   | φ45 Pipe Cover                      | 4.05.04.03.005 | 2   |                |
| 4   | Lock Nut M12*1.25                   | 4.03.04.01.005 | 6   | M12*1.25       |
| 5   | Rear Suspension Bushing             | 4.02.04.02.004 | 2   |                |
| 6   | Screw Flange M12*85                 | 4.03.02.01.058 | 2   | M12*85         |
| 7   | Screw Flange M10*70                 | 4.03.02.01.038 | 4   | M10*70         |
| 8   | Bracket Rear Axle Tube              | 3.02.01.01.035 | 2   |                |
| 9   | Lock Nut M10*1.25                   | 4.03.04.01.004 | 4   | M10            |
| 10  | Lock Nut M10*1.25                   | 4.03.04.01.004 | 2   | M10            |
| 11  | Rear Shock Absorber<br>Assembly R-2 | 4.02.10.020    | 2   | R-3/9011130012 |
| 12  | Rear Spring C                       | 4.02.04.01.009 | 2   | φ8.5*φ49*247   |
| 13  | Rear shock absorber                 | 4.02.10.034    | 2   |                |
| 14  | Screw Flange M12*30                 | 4.03.02.01.041 | 4   | M12*30         |
| 15  | Rear Damper Gasket<br>φ30*3.5       | 4.02.04.01.028 | 2   |                |
| 16  | Rear Damper Gasket<br>φ30*3.5       | 4.02.04.01.028 | 2   |                |
| 17  | Stabilizer bar                      | 3.02.01.01.036 | 1   |                |
| 18  | Lock Nut M12*1.25                   | 4.03.04.01.005 | 2   | M12*1.25       |
| 19  | Rear Axle Tube Kit                  | 3.02.01.01.099 | 2   | 45             |
| 20  | Screw Flange M10*50                 | 4.03.02.01.035 | 2   | M10*50         |
| 21  | Lock Nut M10*1.25                   | 4.03.04.01.004 | 2   | M10*1.25       |

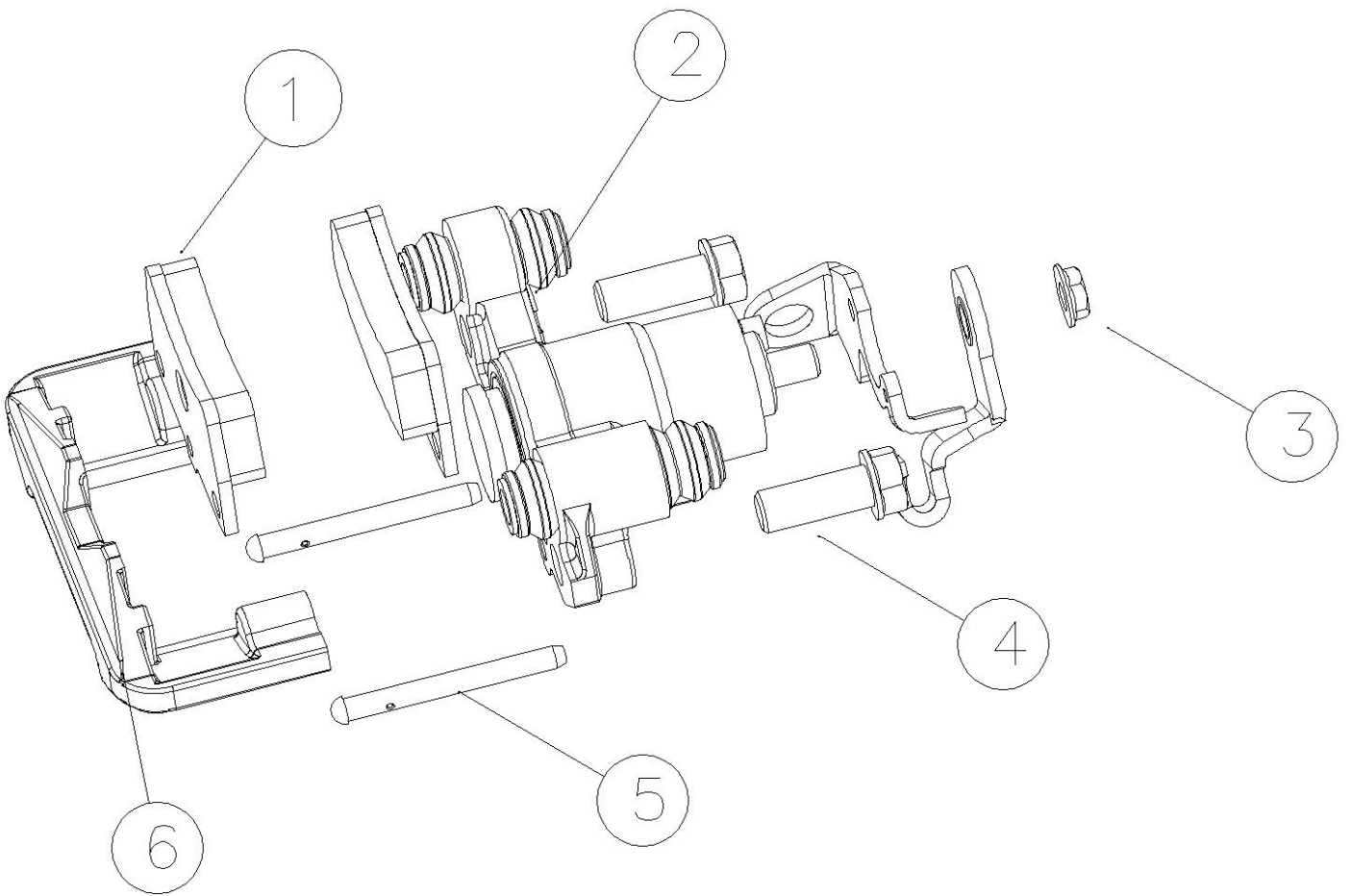
# Rear End Assembly



## Rear End Assembly

| No. | Description                    | Code           | Pcs | Memo                   |
|-----|--------------------------------|----------------|-----|------------------------|
| 1   | Rim Valve                      | 4.02.07.03.001 | 4   |                        |
| 2   | Tire                           | 4.02.07.01.089 | 4   | 215/35-14              |
| 3   | Alum Rim                       | 4.02.13.01.002 | 4   | A0761475<br>14*7/ET-10 |
| 4   | Caliper / LH                   | 4.02.05.01.038 | 1   |                        |
| 5   | Screw flange                   | 4.03.02.01.015 | 8   |                        |
| 6   | Caliper Mounting Plate /<br>LH | 3.02.01.21.015 | 1   |                        |
| 7   | Transaxle 12: 1                | 4.02.06.02.013 | 1   | 12:1                   |
| 8   | Lock Nut M8*1.25               | 4.03.04.01.003 | 8   |                        |
| 9   | Caliper Mounting Plate /<br>RH | 3.02.01.21.016 | 1   |                        |
| 10  | Hub Screw 1/2-20*32            | 4.03.02.02.001 | 8   |                        |
| 11  | Alum rim                       | 4.03.04.03.003 | 8   | A0761475<br>14*7/ET-10 |
| 12  | Brake Disc                     | 4.02.05.03.004 | 2   |                        |

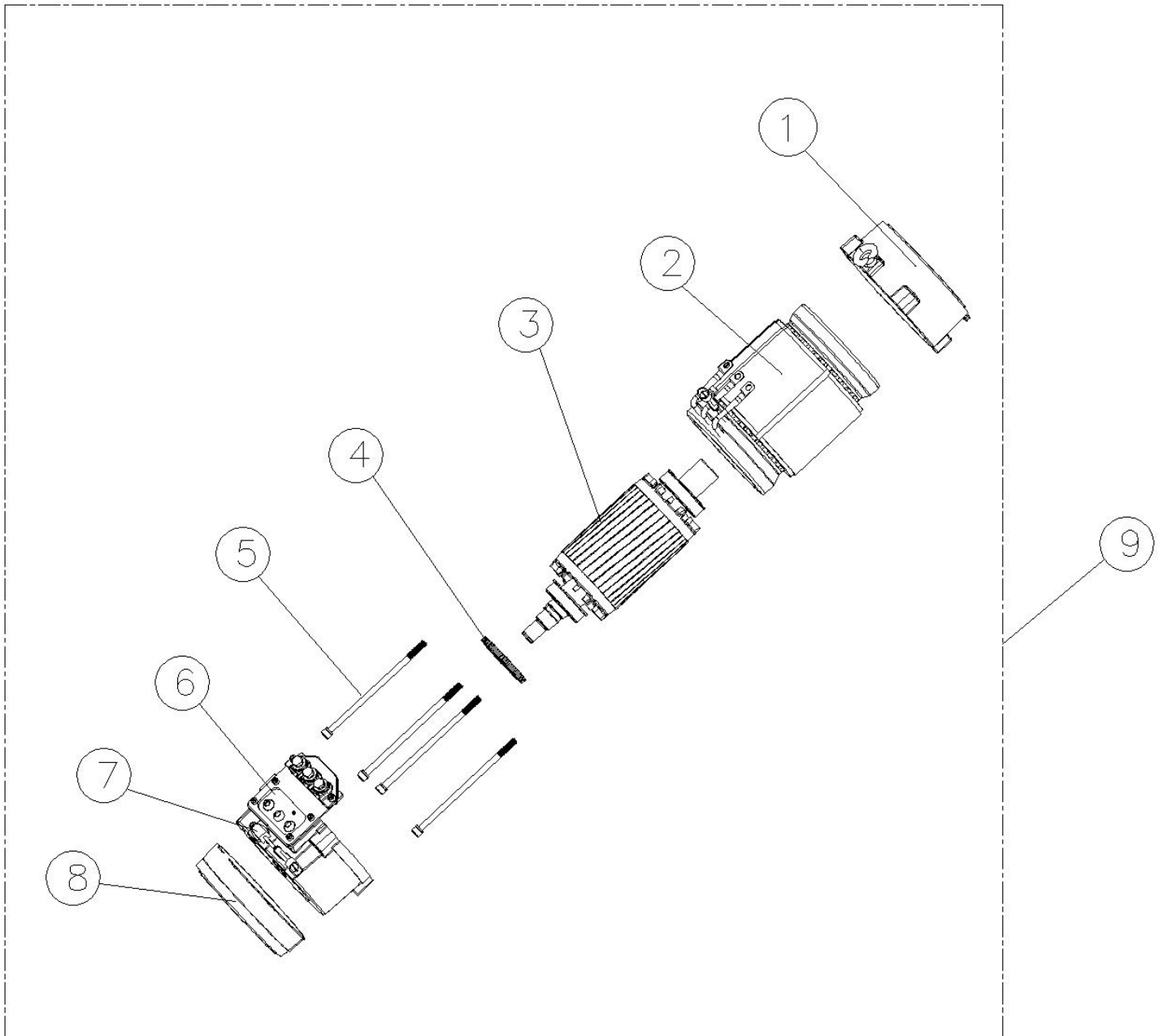
# Brake Caliper



# Brake Caliper

| No. | Description     | Code           | Pcs | Memo |
|-----|-----------------|----------------|-----|------|
| 1   | Brake shoe      | 4.02.05.03.003 | 2   |      |
| 2   | Brake cylinder  | ***            | 1   |      |
| 3   | Nut M8          | ***            | 1   |      |
| 4   | Screw flange    | ***            | 2   |      |
| 5   | Positioning pin | ***            | 2   |      |
| 6   | Caliper         | ***            | 1   |      |

# Motor

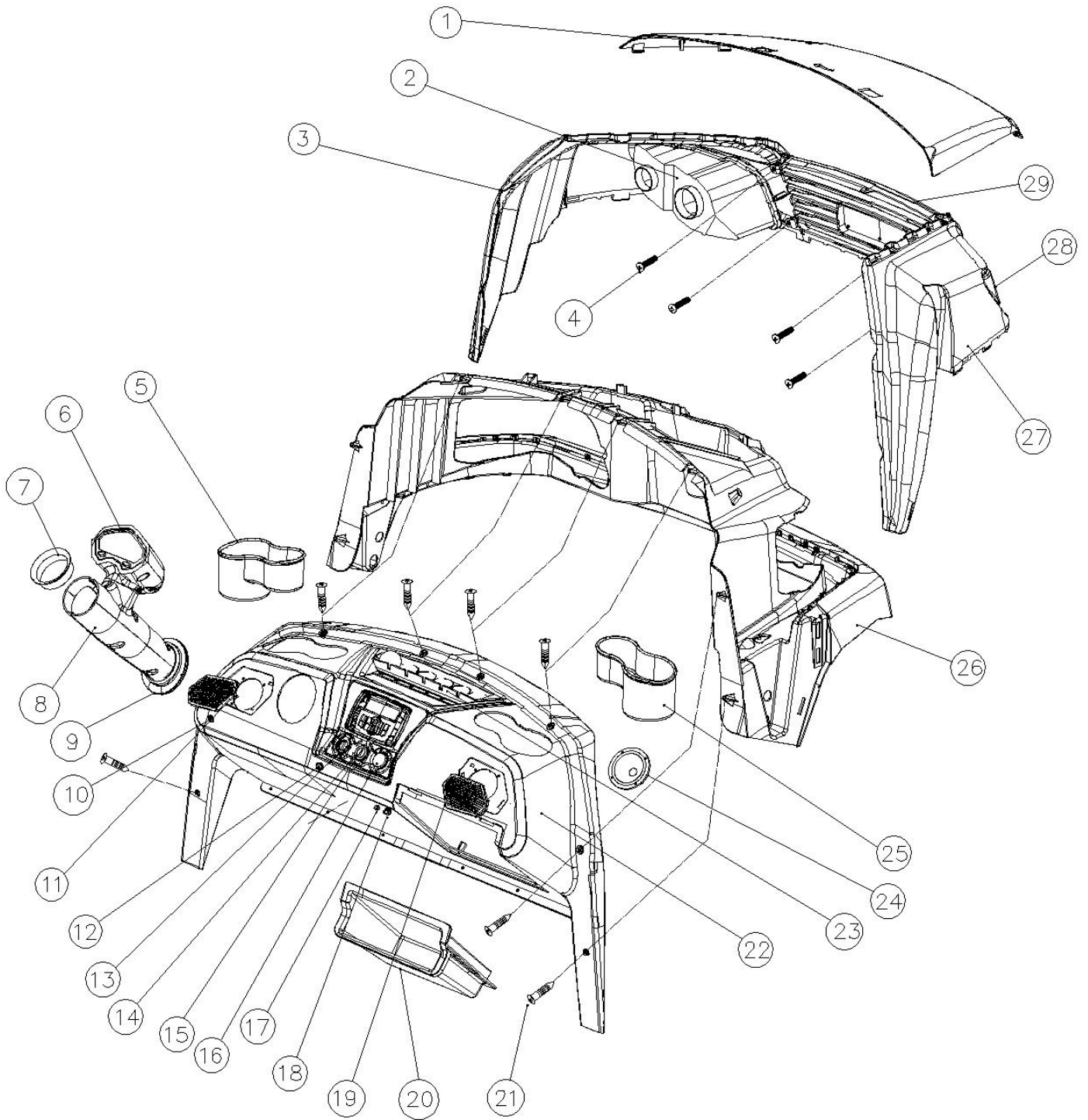


# Motor

| No. | Description   | Code           | Pcs | Memo                    |
|-----|---------------|----------------|-----|-------------------------|
| 7   | Speed sensor  | 4.04.01.03.032 | 1   |                         |
| 8   | EM brake PK35 | 4.04.01.03.011 | 1   | Early production models |
| 9   | 5KW motor     | 4.04.01.02.012 | 1   |                         |
|     |               |                |     |                         |
|     |               |                |     |                         |
|     |               |                |     |                         |
|     |               |                |     |                         |
|     |               |                |     |                         |
|     |               |                |     |                         |
|     |               |                |     |                         |



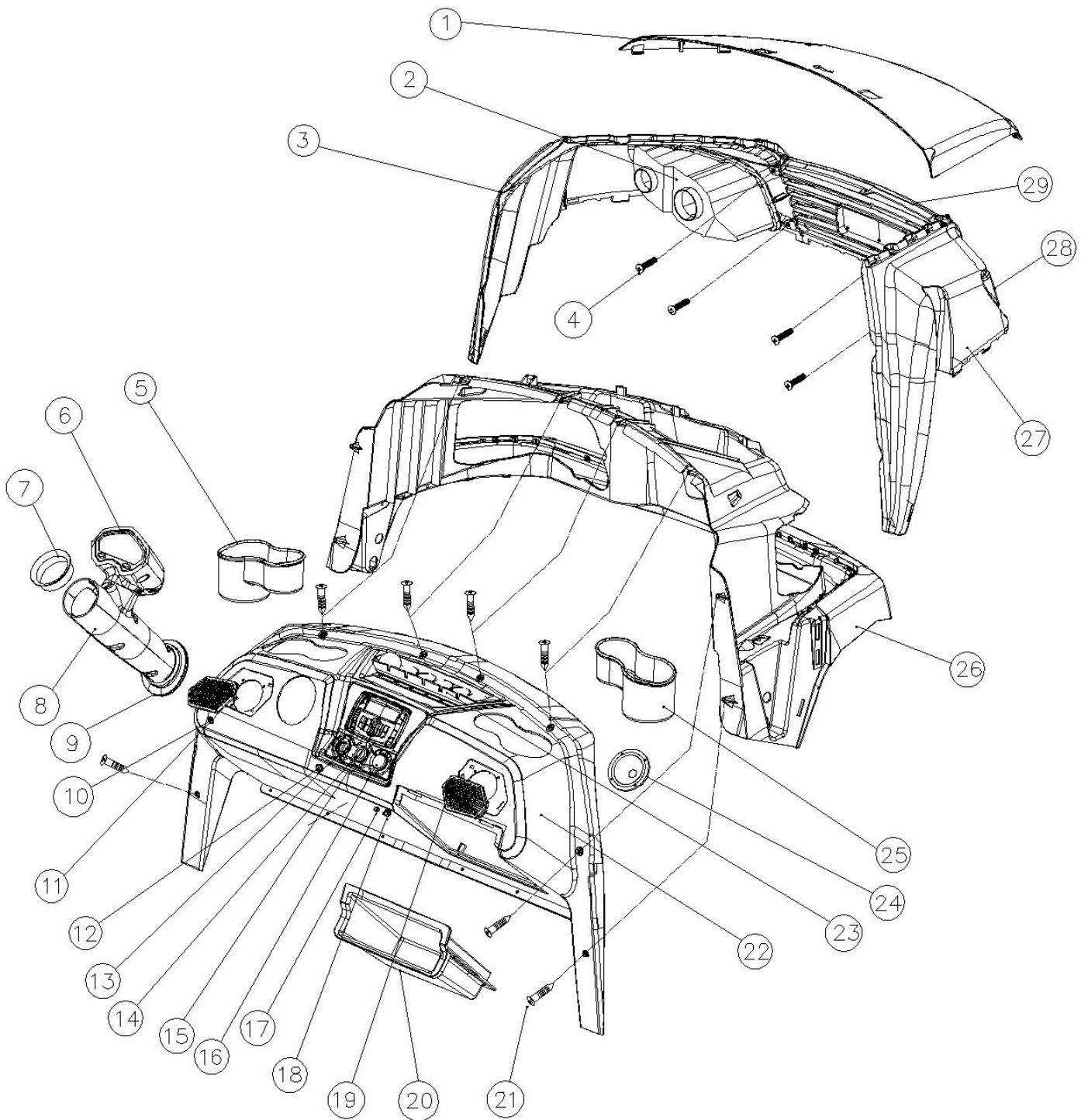
# Front Body Panel



## Front Body Panel

| No. | Description                      | Code                             | Pcs | Memo              |
|-----|----------------------------------|----------------------------------|-----|-------------------|
| 1   | Front Cowl                       | 4.05.01.33.005                   | 1   |                   |
| 2   | LED Light / LH                   | 4.04.14.01.002                   | 1   |                   |
| 3   | Front Quartet Panel / LH         | 4.05.01.33.003                   | 1   |                   |
| 4   | Self-tapping screw M5*16         | 4.03.03.07.009                   | 16  | M5*16             |
| 5   | Storage Box / LH                 | 4.05.01.33.012                   | 1   |                   |
| 6   | Digital Speedometer              | 2.06.03.02.004                   | 1   |                   |
| 7   | Steering Column Upper Gasket     | 4.05.01.33.048                   | 1   |                   |
| 8   | Steering Column Cover            | 4.05.01.33.020<br>4.05.01.33.021 | 1   |                   |
| 9   | Steering Column Lower Gasket     | 4.05.01.33.049                   | 1   |                   |
| 10  | Battery Charging Indicator Cable | 4.04.01.07.045                   | 1   | 2.7M              |
| 11  | Speaker Cover / LH               | 4.05.01.33.014                   | 1   |                   |
| 12  | Hazard Light Switch              | 4.04.02.11.002                   | 1   | YJ-LB11 3P ON-OFF |
| 13  | Lighter base                     | 4.04.14.02.005                   | 1   | Q0208 12V 120W    |
| 14  | Key switch                       | 4.04.02.02.009                   | 1   |                   |
| 15  | Radio player                     | 4.04.14.01.013                   | 1   | 806               |
| 16  | USB port                         | 4.04.07.051                      | 1   |                   |
| 17  | Plug for programmer              | Programmer-Plug                  | 1   |                   |
| 18  | Tow / Run Switch                 | 9.01.0022                        | 1   |                   |
| 19  | Speaker Cover / RH               | 4.05.01.33.015                   | 1   |                   |
| 20  | Glove Box                        | 4.05.01.33.019                   | 1   |                   |

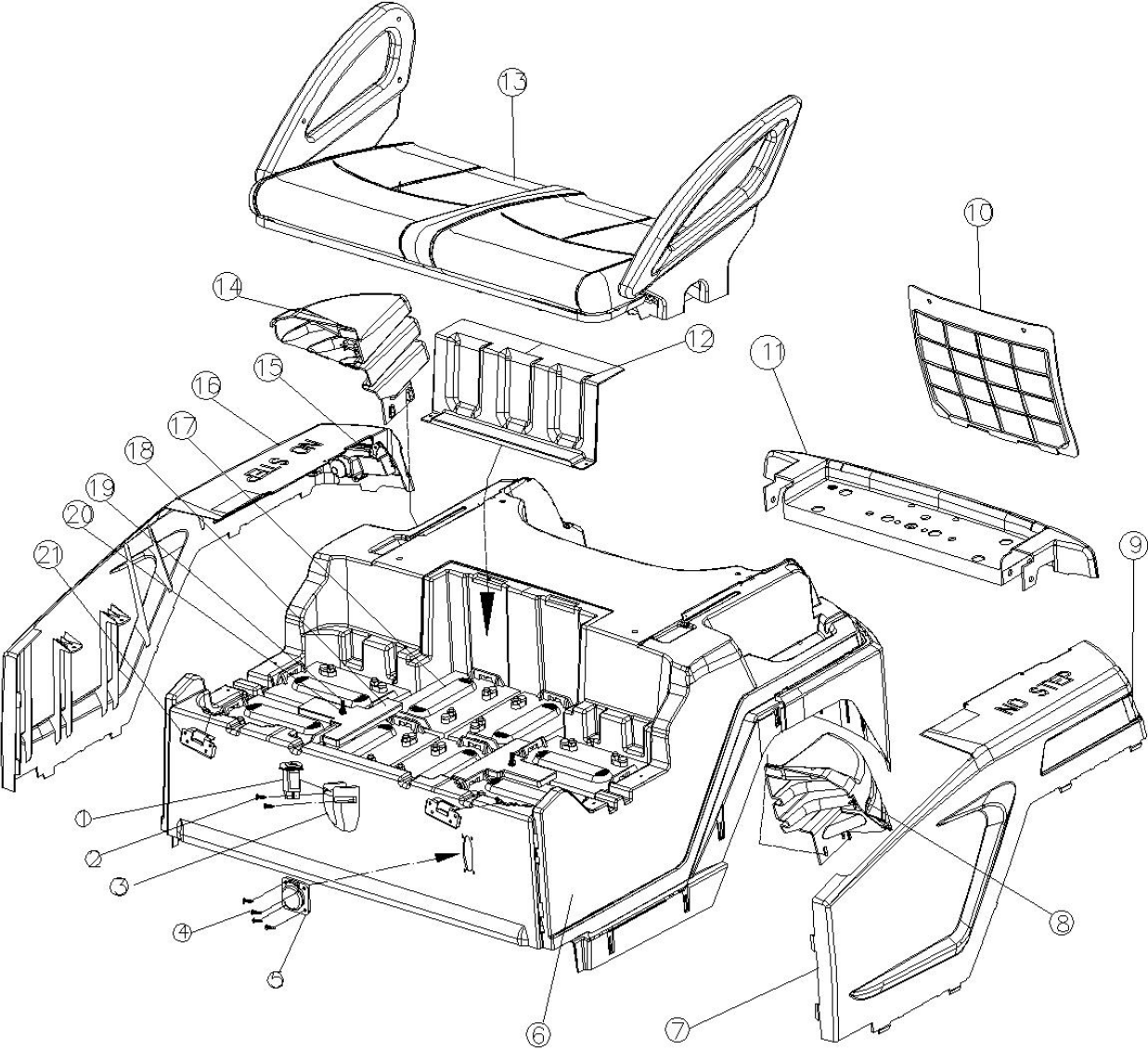
# Front Body Panel



## Front Body Panel

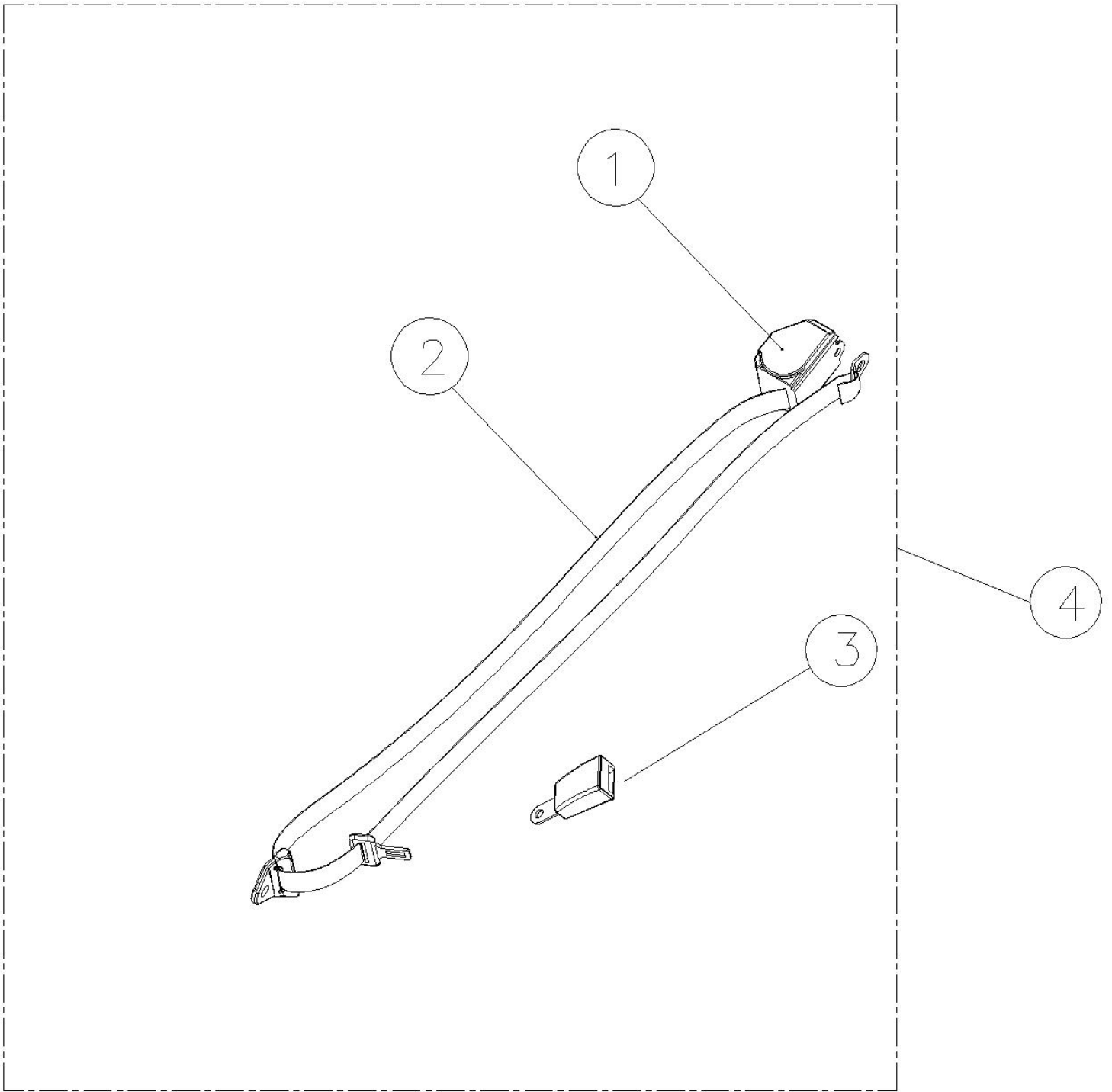
| No. | Description              | Code           | Pcs | Memo       |
|-----|--------------------------|----------------|-----|------------|
| 21  | Self-tapping Screw M5*25 | 4.03.02.06.005 | 8   | /M5*25/    |
| 22  | Dash Panel               | 4.05.01.33.008 | 1   |            |
| 23  | Horn                     | 4.04.14.01.020 | 2   | ODL-151-00 |
| *   | Console (sound system)   | 4.05.01.33.017 | 1   |            |
| 19  | Complete Speaker LH      | 4.04.02.06.024 | 1   |            |
| 19  | Complete Speaker RH      | 4.04.02.06.024 | 1   |            |
| 24  | Golf Ball Holder         | 4.05.01.33.009 | 1   |            |
| 25  | Glove Box / RH           | 4.05.01.33.013 | 1   |            |
| 26  | Front Brow               | 4.05.01.33.007 | 1   |            |
| 27  | Front Quartet Panel / RH | 4.05.01.33.004 | 1   |            |
| 28  | LED Light / RH           | 4.04.14.01.003 | 1   |            |
| 29  | Centre Grill             | 4.05.01.33.006 | 1   |            |

# Rear Body Panel



## Rear Body Panel

| No. | Description                        | Code            | Pcs | Memo        |
|-----|------------------------------------|-----------------|-----|-------------|
| 1   | F/R Switch                         | 4.04.02.01.021  | 1   |             |
| 2   | Self-tapping Screw M6*30           | 4.03.03.08.002  | 2   | M6*30       |
| 3   | F/R Switch Base                    | 4.05.01.03.005  | 1   | M12         |
| 4   | Screw M4*25                        | 4.03.03.07.002  | 4   | Y04-3404006 |
|     |                                    |                 |     |             |
| 6   | Rear Underbody                     | 4.05.01.33.022  | 1   |             |
| 7   | Rear Quarter Panel / LH            | 4.05.01.33.023  | 1   |             |
| 8   | Rear Body Panel Reinforcement / LH | 4.05.01.01.016  | 1   |             |
| 9   | Rear Light / LH                    | 4.04.14.01.004  | 1   |             |
| 10  | Access Panel                       | 4.05.01.33.025  | 1   |             |
| 11  | Rear Liner                         | 4.05.01.01.012  | 1   |             |
| 12  | Closing Panel                      | 4.05.01.33.031  | 1   |             |
| 13  | Seat Bottom Assembly               | 2.06.02.01.006  | 1   |             |
| 14  | Rear Body Panel Reinforcement /RH  | 4.05.01.01.017  | 1   |             |
| 15  | Rear Light / RH                    | 4.04.14.01.005  | 1   |             |
| 16  | Rear Quarter Panel / RH            | 4.05.01.33.024  | 1   |             |
| 17  | Trojan Battery T-105 6V            | 4.04.01.09.002  | 8   | T-105 6V    |
| 18  | Battery Compressive Plate          | 4.05.04.09.011  | 3   |             |
| 19  | Battery Hook 310mm                 | 3.02.01.01.050  | 6   | 310MM       |
| 20  | Lock Nut M8*1.25                   | 4.03.04.01.003  | 6   | M8          |
| 21  | Seat Buckle / 0.8                  | 4.01.16.01.0414 | 2   |             |

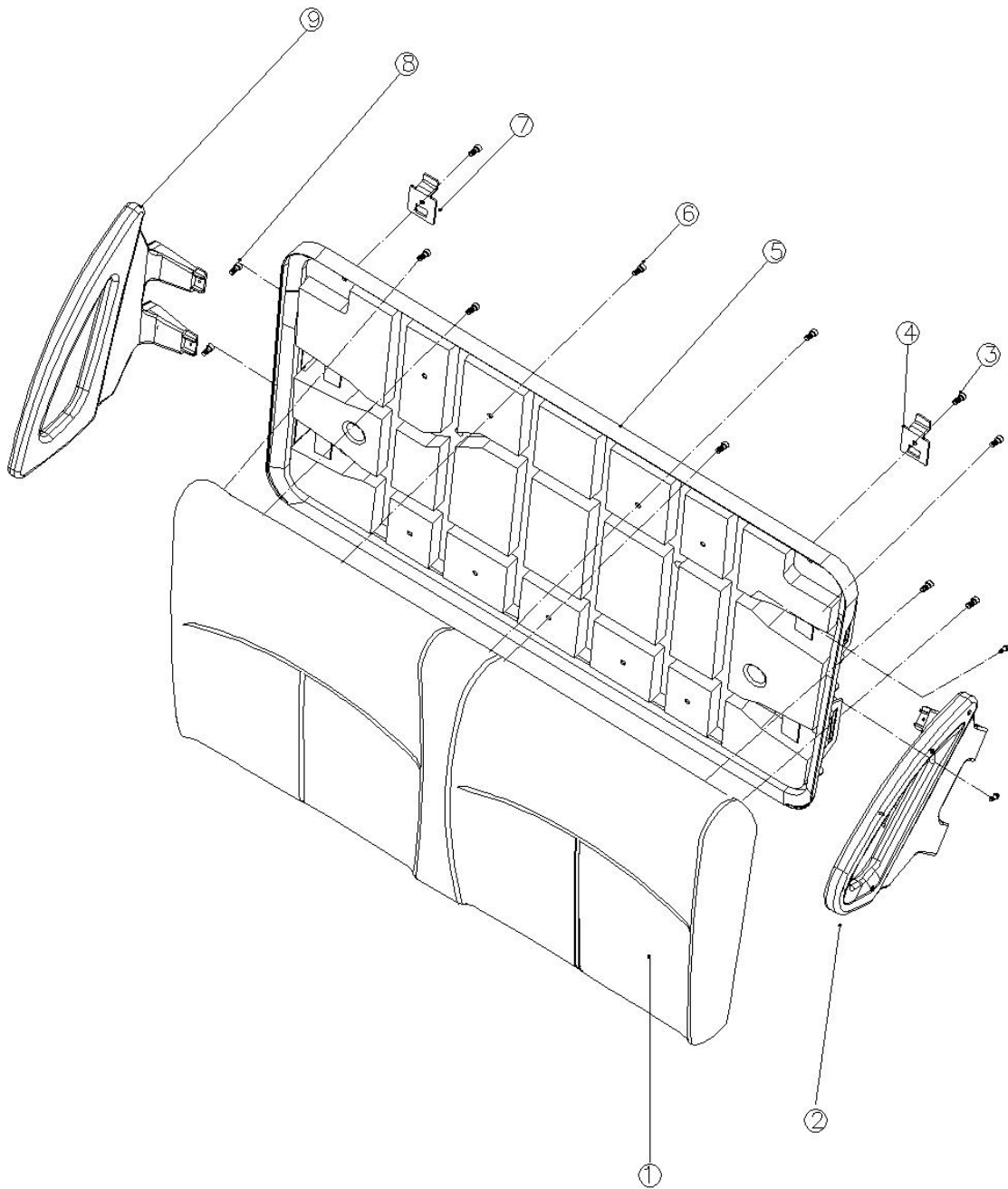


## Seatbelt

| No. | Description                   | Code           | Pcs | Memo |
|-----|-------------------------------|----------------|-----|------|
| 1   | N/A                           | ***            | 1   |      |
| 2   | N/A                           | ***            | 1   |      |
| 3   | Beyond Female Seat Belt       | 4.05.01.16.006 | 1   | DOT  |
| 4   | Beyond Complete 3pt Seat Belt | 4.05.01.16.004 | 1   | DOT  |



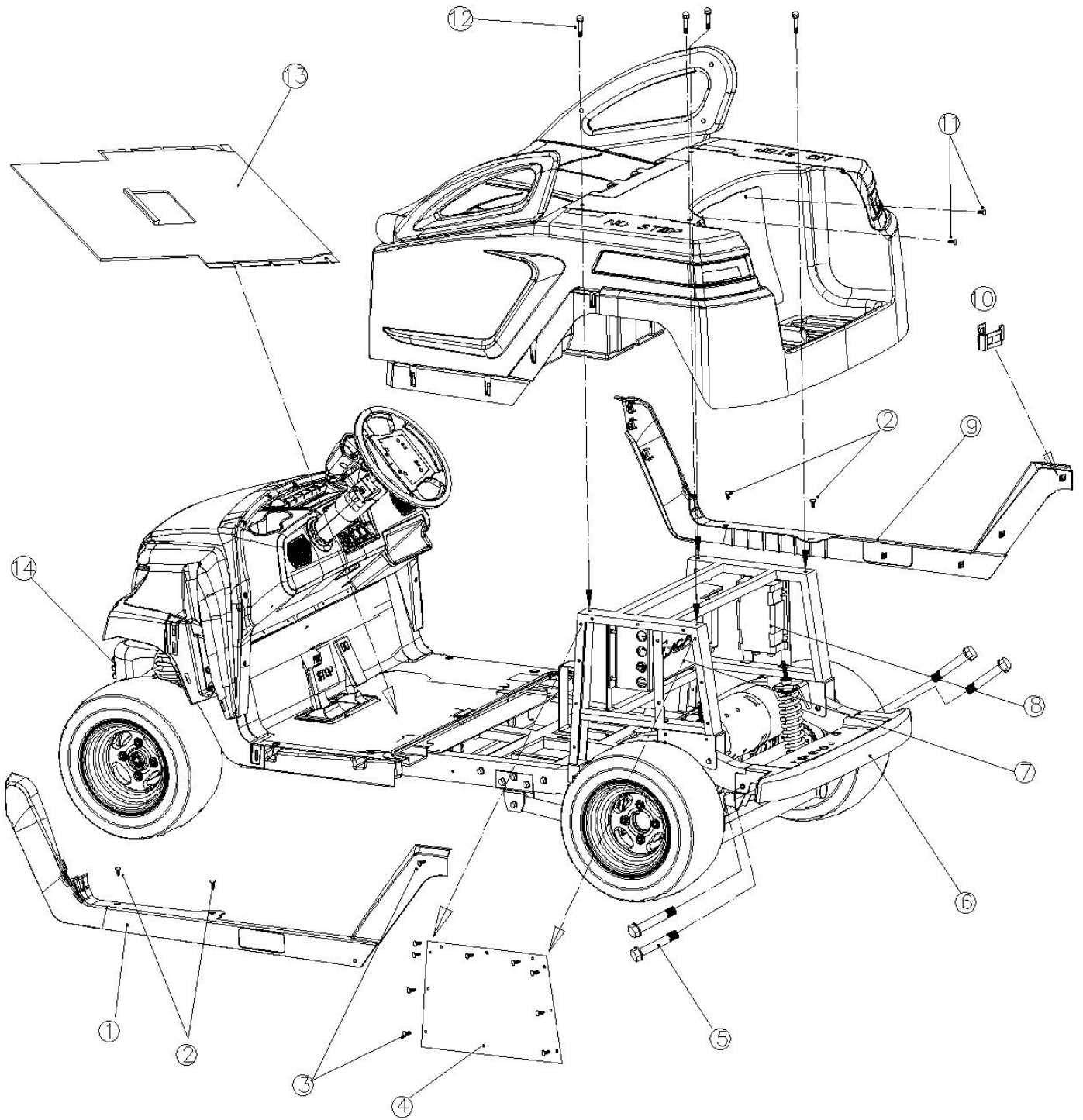
# Seat Bottom



## Seat Bottom

| No. | Description              | Code            | Pcs | Memo                     |
|-----|--------------------------|-----------------|-----|--------------------------|
| 1   | Seat Bottom              | 4.05.01.07.0104 | 1   | NOTE COLOR WHEN ORDERING |
| 2   | Armrest / RH             | 4.05.01.33.002  | 1   |                          |
| 3   | Self-tapping Screw M6*30 | 4.03.03.08.002  | 2   |                          |
| 4   | Seat Buckle              | 3.01.01.029     | 1   |                          |
| 5   | Seat Bottom Tray         | 4.05.01.01.038  | 1   |                          |
| 6   | Screw Flange M6*20       | 4.03.02.01.004  | 8   |                          |
| 7   | Seat Buckle              | 3.01.01.029     | 1   |                          |
| 8   | Self-tapping Screw M6*30 | 4.03.03.08.002  | 4   | M6*30                    |
| 9   | Armrest / LH             | 4.05.01.33.001  | 1   |                          |

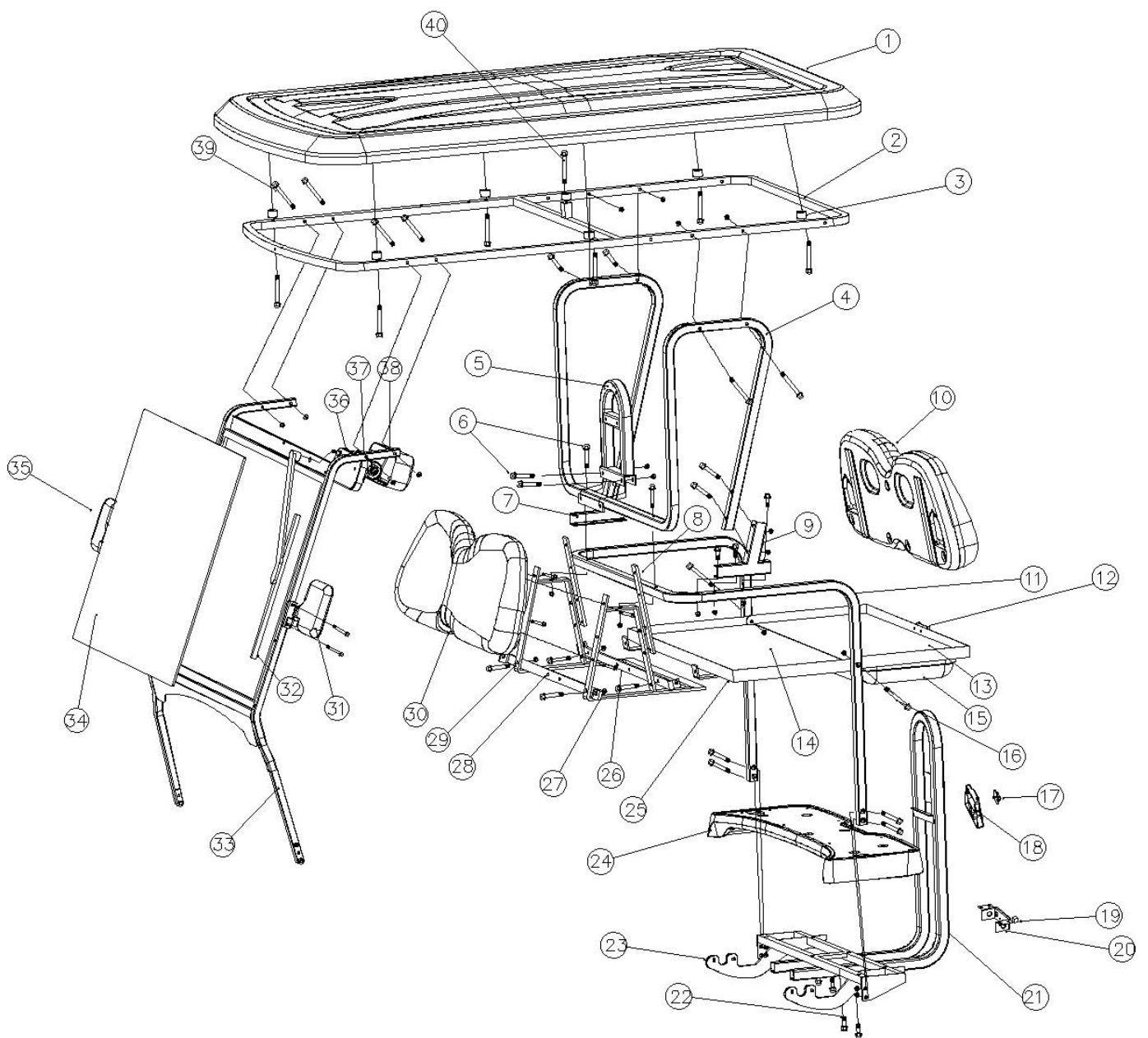
# Rear Cowl



## Rear Cowl

| No. | Description                         | Code                                  | Pcs | Memo         |
|-----|-------------------------------------|---------------------------------------|-----|--------------|
| 1   | Front Retainer                      | 4.05.01.33.027<br>4.05.01.33.027-Left | 1   |              |
| 2   | Hex Self-tapping Screw<br>M8-12*70  | 4.03.02.06.025                        | 4   | M8-12*70     |
| 3   | Plastic Nail C104                   | 4.05.04.05.003                        | 18  |              |
| 4   | Mud guard                           | 4.05.01.01.046/047                    | 2   |              |
| 5   | Hex Self-tapping Screw<br>12*1 1/2  | 4.03.02.06.012                        | 4   | 12*1 1/2     |
| 6   | Rear Liner                          | 4.05.01.01.012                        | 1   |              |
| 7   | DC/DC Converter<br>DC2250-4812 500W | 4.04.01.13.014                        | 1   |              |
| 8   | Controller/AC 400A                  | 4.04.01.05.053                        | 1   | 1232SER-5422 |
| 9   | Rear Retainer                       | 4.05.01.33.026<br>4.05.01.33.026-Left | 1   |              |
| 10  | Square Buckle                       | 4.05.01.29.070                        | 12  |              |
| 11  | Plastic Nail C633                   | 4.05.04.05.006                        | 2   |              |
| 12  | Screw Flange M8*35                  | 4.03.02.01.017                        | 4   | M8*35        |
| 13  | Floor Mat                           | 4.05.01.19.002                        | 1   |              |
| 14  | Bumper                              | 4.05.01.01.055                        | 1   |              |
| *   | front mud guard (L)                 | 4.05.01.33.057                        | 1   |              |
| *   | front mud guard (R)                 | 4.05.01.33.058                        | 1   |              |
| *   | rear mud guard (L)                  | 4.05.01.33.060                        | 1   |              |
| *   | rear mud guard (R)                  | 4.05.01.33.061                        | 1   |              |

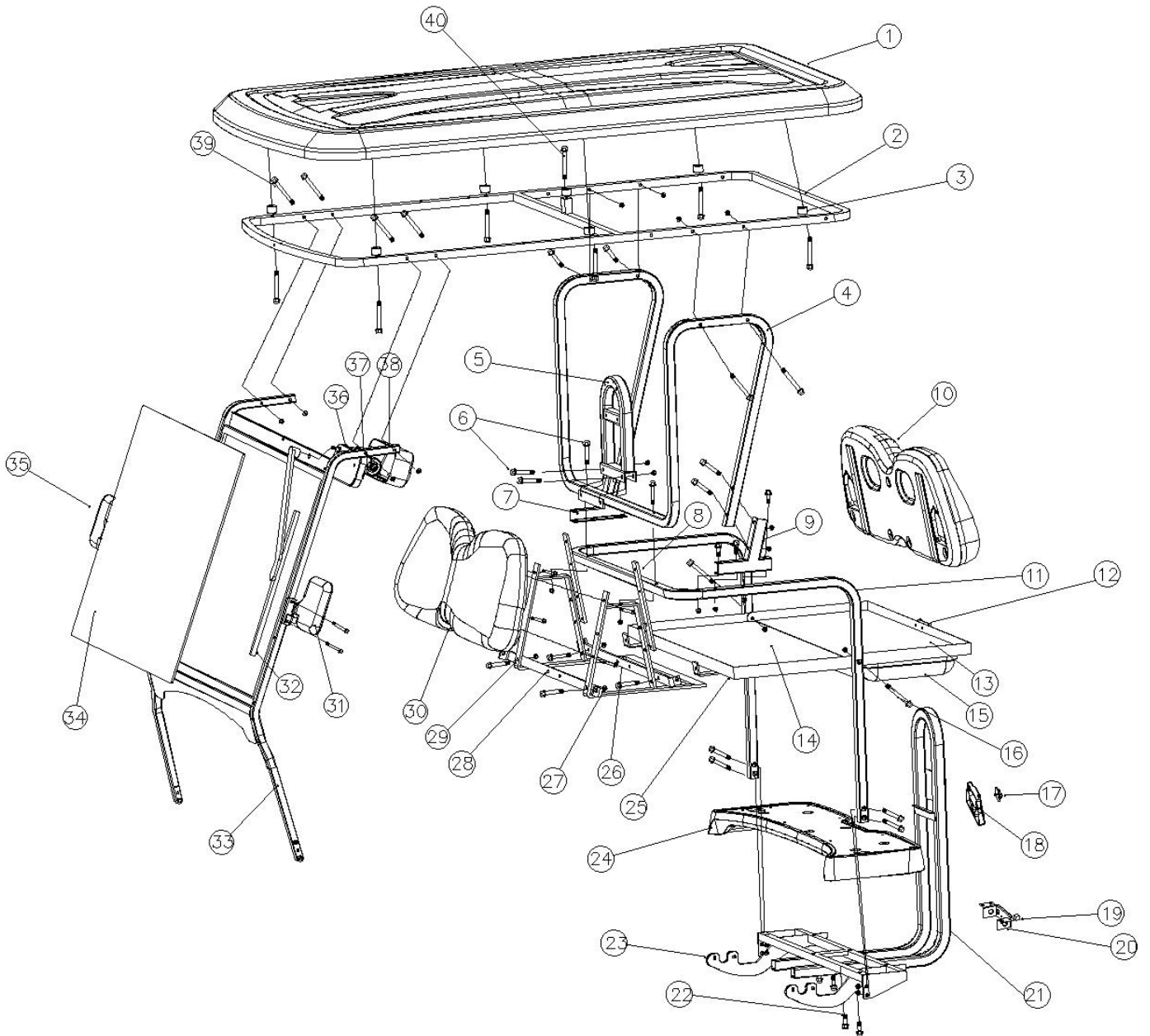
# Laminated Windshield Support Assembly (Foldable Seat)



## Laminated Windshield Support Assembly

| No | Description                          | Code              | Pcs | Memo                     |
|----|--------------------------------------|-------------------|-----|--------------------------|
| 1  | 4P Roof                              | 3.06.01.03.02.001 | 1   | NOTE COLOR WHEN ORDERING |
| 2  | 6p Roof Frame / Alu                  | 3.02.01.02.078    | 1   | 25*25                    |
| 3  | Roof Gasket                          | 4.05.04.07.009    | 7   |                          |
| 4  | Roof rear support / Alu              | 3.02.01.33.105    | 1   | 30*30                    |
| 5  | Seat Belt Upper Frame                | 3.02.01.33.084    | 1   | U                        |
| 6  | Screw Flange M8*50                   | 4.03.02.01.020    | 12  | M8*50                    |
| 7  | Roof support reinforcement / LH      | 3.02.01.33.111    | 1   |                          |
| 8  | Backward Seat Support Bracket        | 3.02.01.33.097    | 2   |                          |
| 9  | Roof support reinforcement / LH      | 3.02.01.33.110    | 1   |                          |
| 10 | Seat Back                            | 4.05.01.07.0105   | 1   |                          |
| 11 | Foldable seat armrest / Alu          | 3.02.01.33.103    | 1   | 30*30                    |
| 12 | Foldable Seat Adjustable Frame       | 3.02.01.05.047    | 1   |                          |
| 13 | Foldable Seat Adjustable Frame Panel | 4.05.01.01.058    | 1   |                          |
| 14 | Foldable Seat Support Frame Panel    | 4.05.01.01.057    | 1   |                          |
| 15 | Backward Seat                        | 4.05.01.07.0301   | 1   |                          |
| 16 | Screw Flange M8*60                   | 4.03.02.01.022    | 2   | M8*60                    |
| 17 | License plate light                  | 4.04.06.12.025    | 1   |                          |
| 18 | License plate support                | 4.05.01.33.076    | 1   |                          |
| 19 | Reverse camera                       | 4.04.07.085       | 1   |                          |
| 20 | Camera mounting plate                | 3.02.01.33.119    | 1   |                          |

# Laminated Windshield Support Assembly (Foldable Seat)

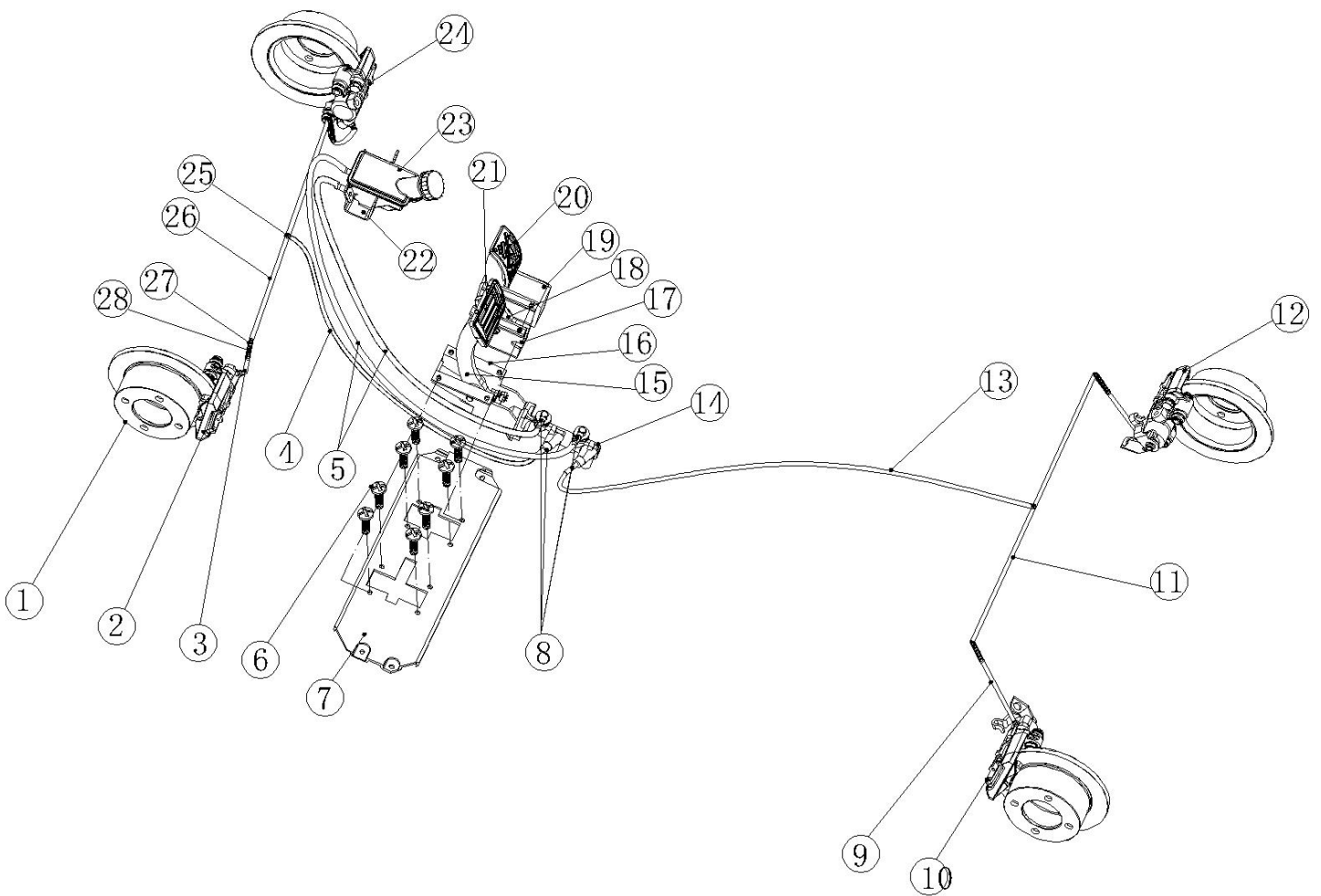


## Laminated Windshield Support Assembly

| No. | Description                         | Code            | Pcs | Memo    |
|-----|-------------------------------------|-----------------|-----|---------|
| 21  | Caddie Plate Rear Armrest / Alu     | 3.02.01.33.104  | 1   | 30*30   |
| 22  | Screw Flange M8*50                  | 4.03.02.01.020  | 4   | M8*50   |
| 23  | Caddie Plate Support                | 3.02.01.01.114  | 1   | (8.0)   |
| 24  | Caddie Plate                        | 4.05.01.01.039  | 1   |         |
| 25  | Foldable Seat Support Frame         | 3.02.01.05.046  | 1   |         |
| 26  | fixed plate of seat belt            | 3.02.01.01.048  | 1   | 935MM   |
| 27  | Lock Nut M8*1.25                    | 4.03.04.01.003  | 61  | M8X1.25 |
| 28  | Seat Belt Mounting Bracket          | 3.02.01.33.0104 | 1   | 900mm   |
| 29  | Foldable Seat Back Frame / Alu      | 3.02.01.33.102  | 1   | 30*30   |
| 30  | Seat Back                           | 4.05.01.07.0105 | 1   |         |
| 31  | Side Mirror / LH                    | 4.05.01.13.002  | 1   |         |
| 32  | Wiper blade                         | 4.04.14.02.024  | 1   | 500     |
| 33  | Laminated Windshield Frame Assembly | 3.02.01.33.126  | 1   | 30*30   |
| 34  | Laminated Windshield                | 4.05.02.01.021  | 1   | 870*800 |
| 35  | Side Mirror / RH                    | 4.05.01.13.003  | 1   |         |
| 36  | Wiper Motor Box                     | 3.02.01.30.042  | 1   |         |
| 37  | Wiper Motor / 12V                   | 4.04.02.03.013  | 1   | 40W,90° |
| 38  | Wiper Motor Tray                    | 4.05.01.03.017  | 1   |         |
| 39  | Screw Flange M8*65                  | 4.03.02.01.082  | 8   | M8*65   |
| 40  | Screw Flange M8*45                  | 4.03.02.01.019  | 1   | M8*45   |



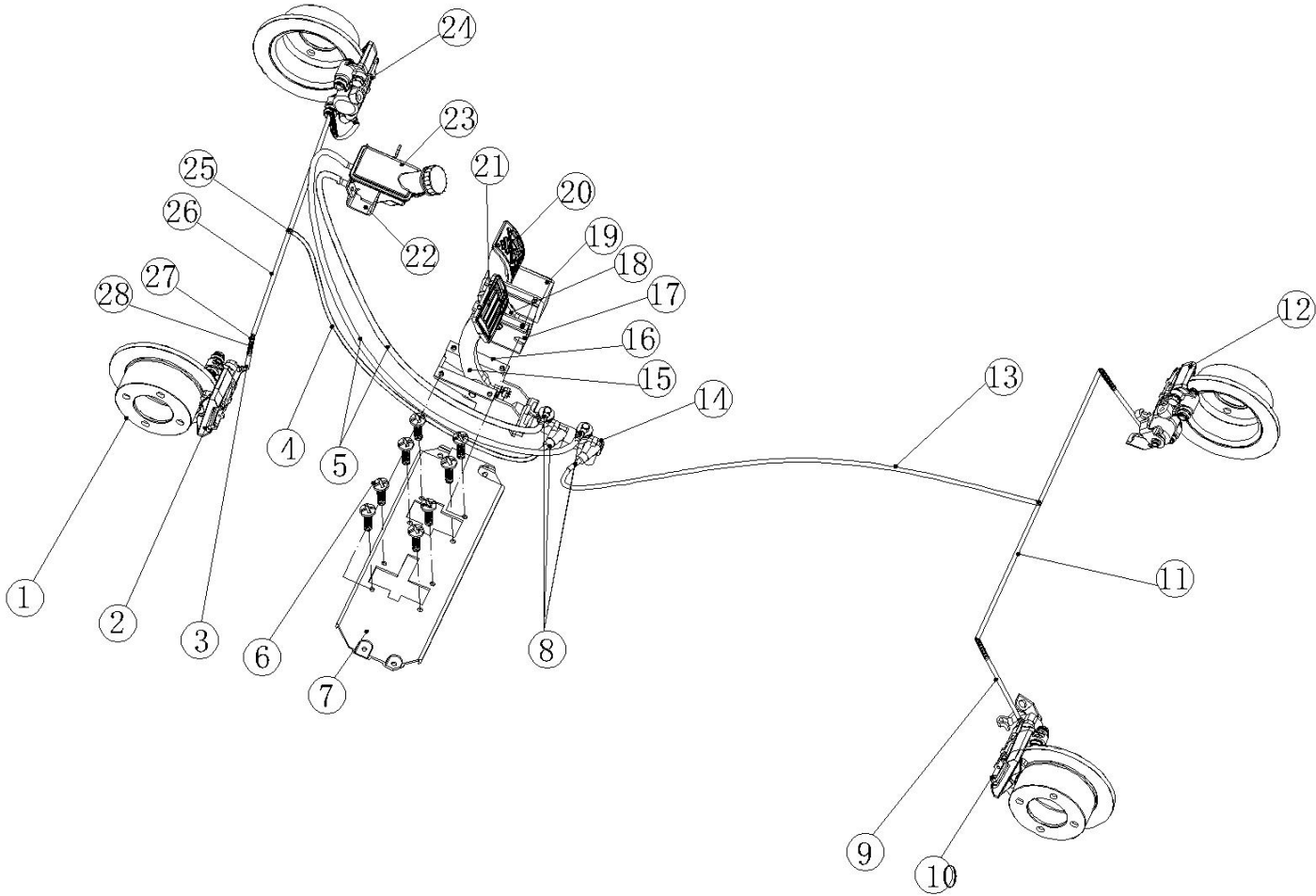
# Four Wheel Disc Brakes- With Hand Ebrake



## Four Wheel Disc Brakes- With Hand Ebrake

| No. | Description               | Code           | Pcs | Memo                   |
|-----|---------------------------|----------------|-----|------------------------|
| 1   | Brake Disc                | 4.02.05.03.004 | 4   | ZY01-350100A           |
| 2   | Front Caliper / LH        | 4.02.05.01.038 | 1   | ZY01-3501010/020       |
| 3   | Front Hose L-380          | 4.02.02.10.054 | 2   | A2A4A6A1H              |
| 4   | Front Brake Pipe L-700    | 4.02.02.10.050 | 1   | A2A4A6A1H              |
| 5   | Oil Pipe                  | 4.02.02.12.009 | 1   |                        |
| 6   | CSK Screw 6*20            | 4.03.03.05.008 | 8   | 304GB819               |
| 7   | Brake Pedal Base          | 4.02.02.11.001 | 1   | No Parking Brake Pedal |
| 8   | Knot 10-16                | 4.02.02.12.010 | 4   |                        |
| 9   | Rear Hose L-300           | 4.02.02.10.049 | 2   | A1A4A6A1H2             |
| 10  | Rear Caliper / LH         | 4.02.05.01.037 | 1   | ZY01-3502010/020       |
| 11  | Rear Brake Pipe           | 4.02.02.10.050 | 2   | L-700                  |
| 12  | Rear Caliper / RH         | 4.02.05.01.036 | 1   | ZY01-3502010/020       |
| 13  | Brake Pipe                | 4.02.02.10.060 | 1   | L-620                  |
| 14  | Master Cylinder           | 4.02.05.01.018 | 1   | ZY01-3503010           |
| 15  | Brake Pedal               | 4.02.02.11.002 | 1   | No Parking Brake Pedal |
| 16  | Brake Pedal Bracket       | 4.02.02.11.003 | 1   | No Parking Brake Pedal |
| 17  | Accelerator Pedal Bracket | 4.02.02.11.005 | 1   | No Parking Brake Pedal |
| 18  | Accelerator Pedal         | 4.02.02.11.004 | 1   | No Parking Brake Pedal |
| 19  | Accelerator               | 2.01.02.02.003 | 1   |                        |

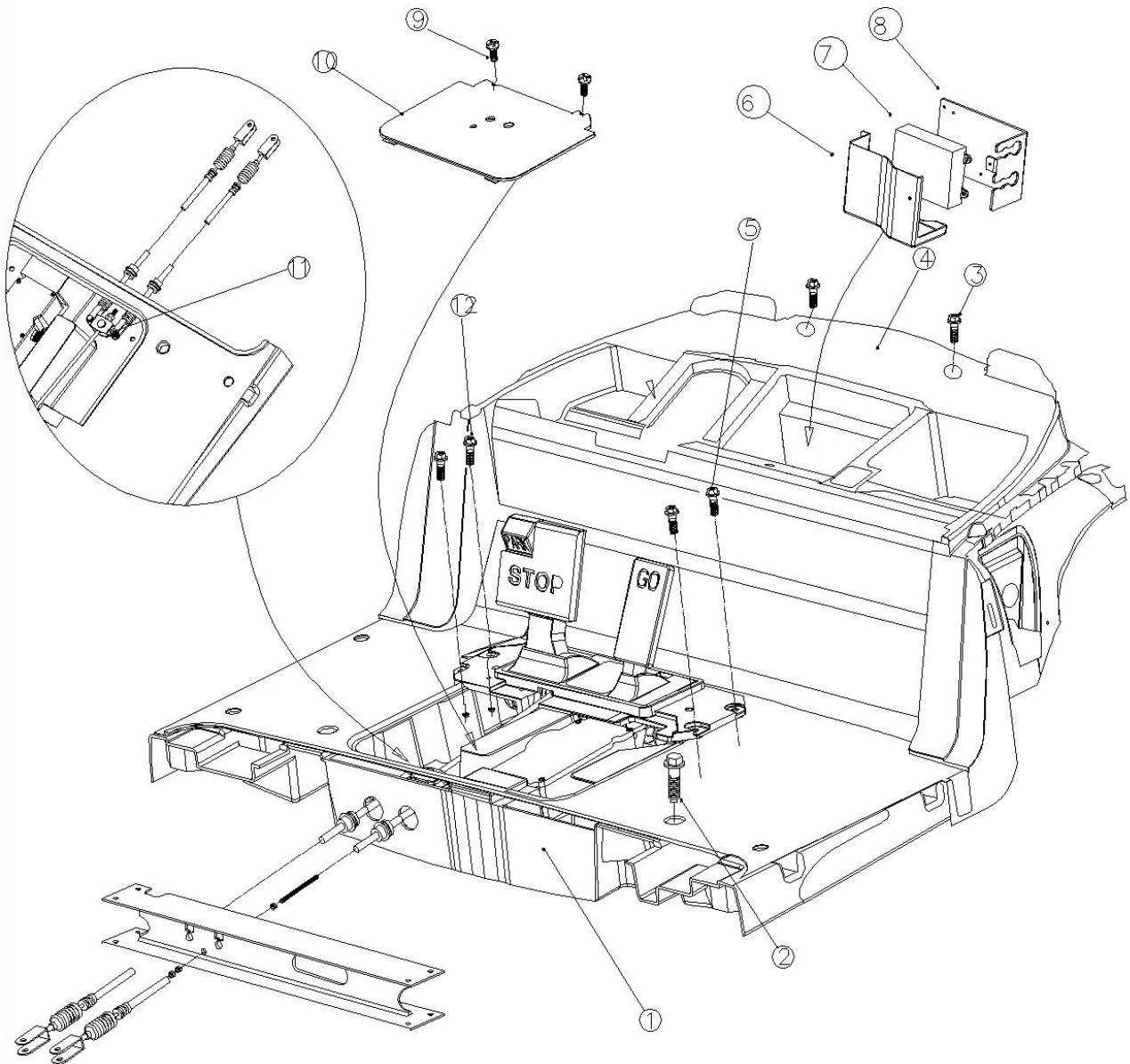
# Four Wheel Disc Brake



## Four Wheel Disc Brake

| No | Description                | Code           | Pcs | Memo             |
|----|----------------------------|----------------|-----|------------------|
| 20 | (GO) Accelerator pedal pad | 4.02.02.08.010 | 1   |                  |
| 21 | (STOP)Braking pedal pad    | 4.02.02.08.008 | 1   |                  |
| 22 | Brake Reservoir Bracket    | 3.02.01.17.016 | 1   |                  |
| 23 | Brake Reservoir            | 4.05.04.07.004 | 1   |                  |
| 24 | Front Caliper              | 4.02.05.01.039 | 1   | ZY01-3501010/020 |
| 25 | Three-way valve            | 4.02.02.12.011 | 2   |                  |
| 26 | Front Brake Pipe           | 4.02.02.12.001 | 2   | 250mm            |
| 27 | Hollow Screw M10*25*1.0    | 4.03.02.09.002 | 4   | M10*25*1.0       |
| 28 | Washer                     | 4.02.02.12.007 | 8   | C10              |

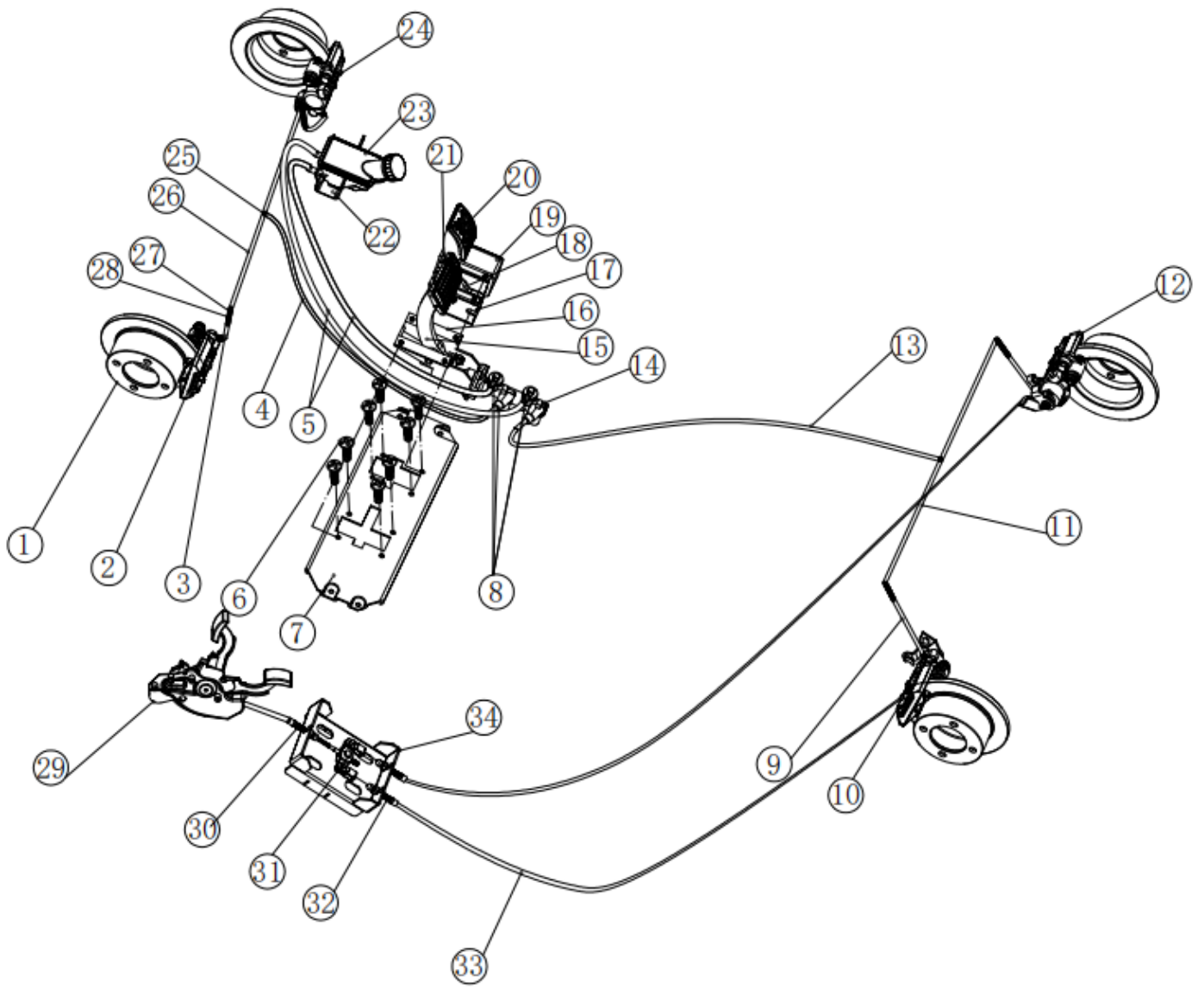
# Pedal Assembly



## Pedal Assembly

| No. | Description                     | Code           | Pcs | Memo     |
|-----|---------------------------------|----------------|-----|----------|
| 1   | Front Under Body Support        | 4.05.01.01.002 | 1   |          |
| 2   | Hex Self-tapping Screw 12*1 1/2 | 4.03.02.06.012 | 6   | 12*1 1/2 |
| 3   | Screw Flange M6*30              | 4.03.02.01.006 | 2   |          |
| 4   | Front Under Body                | 4.05.01.01.043 | 1   |          |
| 5   | Self-tapping Screw M8-12*70     | 4.03.02.06.025 | 2   |          |
| 6   | Fuse Box Lid                    | 4.05.01.33.037 | 1   |          |
| 7   | Fuse Box Assembly               | 4.04.14.03.002 | 1   |          |
| 8   | Fuse Box Plate                  | 3.05.40.003    | 1   |          |
| 9   | Self-tapping Screw M5*25        | 4.03.03.07.007 | 3   |          |
| 10  | Pedal Base Lid                  | 4.05.01.01.010 | 3   |          |
| 11  | Braking cable Joint             | 2.01.01.03.317 | 1   |          |

# Four Wheel Disc Brake- Foot Ebrake



## Four Disc Brake- Foot Ebrake

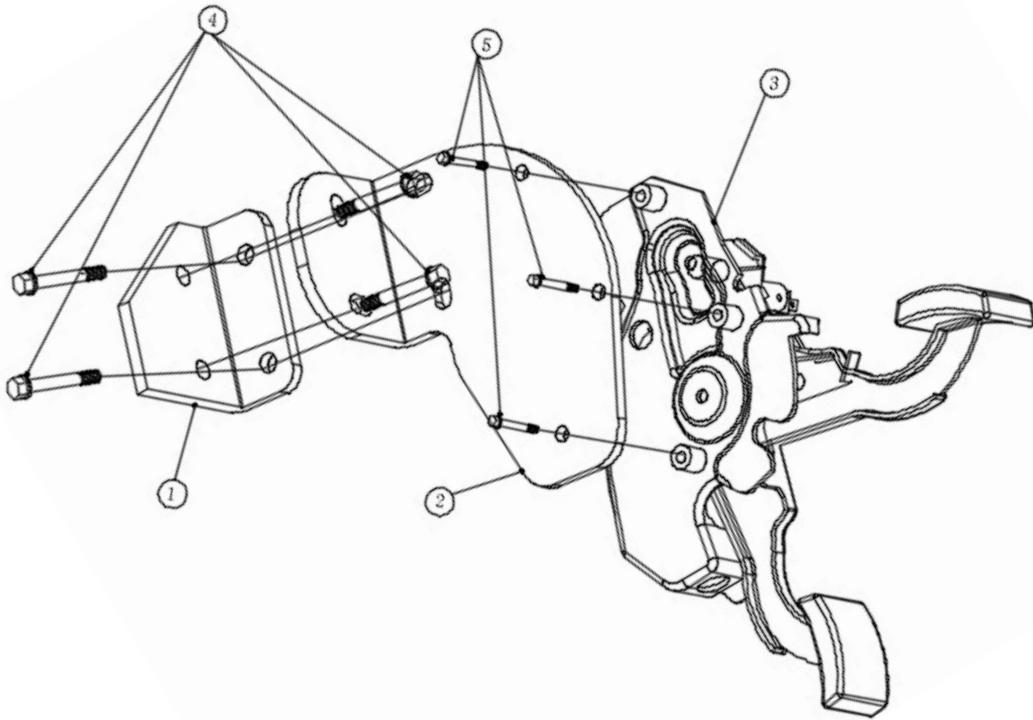
| No. | Description               | Code           | Pcs | Memo             |
|-----|---------------------------|----------------|-----|------------------|
| 1   | Brake Disc                | 4.02.05.03.004 | 4   | ZY01-350100A     |
| 2   | Front Caliper / LH        | 4.02.05.01.038 | 1   | ZY01-3501010/020 |
| 3   | Front Hose L-380          | 4.02.02.10.054 | 2   | A2A4A6A1H        |
| 4   | Front Brake Pipe L-700    | 4.02.02.10.050 | 1   | A2A4A6A1H        |
| 5   | Oil Pipe                  | 4.02.02.12.009 | 1   |                  |
| 6   | CSK Screw 6*20            | 4.03.03.05.008 | 8   | 304GB819         |
| 7   | Brake Pedal Base          | 4.02.02.11.001 | 1   |                  |
| 8   | Knot 10-16                | 4.02.02.12.010 | 4   |                  |
| 9   | Rear Hose L-300           | 4.02.02.10.049 | 2   | A1A4A6A1H2       |
| 10  | Rear Caliper / LH         | 4.02.05.01.037 | 1   | ZY01-3502010/020 |
| 11  | Rear Brake Pipe           | 4.02.02.10.050 | 1   |                  |
| 12  | Rear Caliper / RH         | 4.02.05.01.036 | 1   | ZY01-3502010/020 |
| 13  | Brake Pipe                | 4.02.02.10.060 | 1   |                  |
| 14  | Master Cylinder           | 4.02.05.01.018 | 1   | ZY01-3503010     |
| 15  | Brake Pedal               | 4.02.02.11.002 | 1   |                  |
| 16  | Brake Pedal Bracket       | 4.02.02.11.003 | 1   |                  |
| 17  | Accelerator Pedal Bracket | 4.02.02.11.005 | 1   |                  |
| 18  | Accelerator Pedal         | 4.02.02.11.004 | 1   |                  |
| 19  | Accelerator               | 2.01.02.02.003 | 1   |                  |



## Four Disc Brake Cont.

| No | Description ENG             | Code           | Pcs | 备注/Memo          |
|----|-----------------------------|----------------|-----|------------------|
| 20 | (GO) Accelerator pedal pad  | 4.02.02.08.010 | 1   |                  |
| 21 | (STOP)Braking pedal pad     | 4.02.02.08.008 | 1   |                  |
| 22 | Brake Reservoir Bracket     | 3.02.01.17.016 | 1   | A 型              |
| 23 | Brake Reservoir             | 4.05.04.07.004 | 1   |                  |
| 24 | Front Caliper/ RH           | 4.02.05.01.039 | 1   | ZY01-3501010/020 |
| 25 | Three-way valve             | 4.02.02.12.011 | 2   |                  |
| 26 | Front Brake Pipe            | 4.02.02.12.001 | 2   | 250mm            |
| 27 | Hollow Screw M10*25*1.0     | 4.03.02.09.002 | 4   | M10*25*1.0       |
| 28 | Washer                      | 4.02.02.12.007 | 8   | C10              |
| 29 | Parking brake assembly      | 2.01.01.03.005 | 1   |                  |
| 30 | Parking brake cable / Front | 4.02.02.03.008 | 1   |                  |
| 31 | Brake Cable Screw Accessory | 4.02.02.01.016 | 1   |                  |
| 32 | Parking brake cable / Rear  | 4.02.02.03.009 | 2   |                  |
| 34 | pull cable middle support   | ***            | 1   |                  |
| *  | Connecting pin              | 4.02.02.06.005 | 1   |                  |
| *  | Parking brake bracket       | 3.02.01.33.032 | 1   |                  |

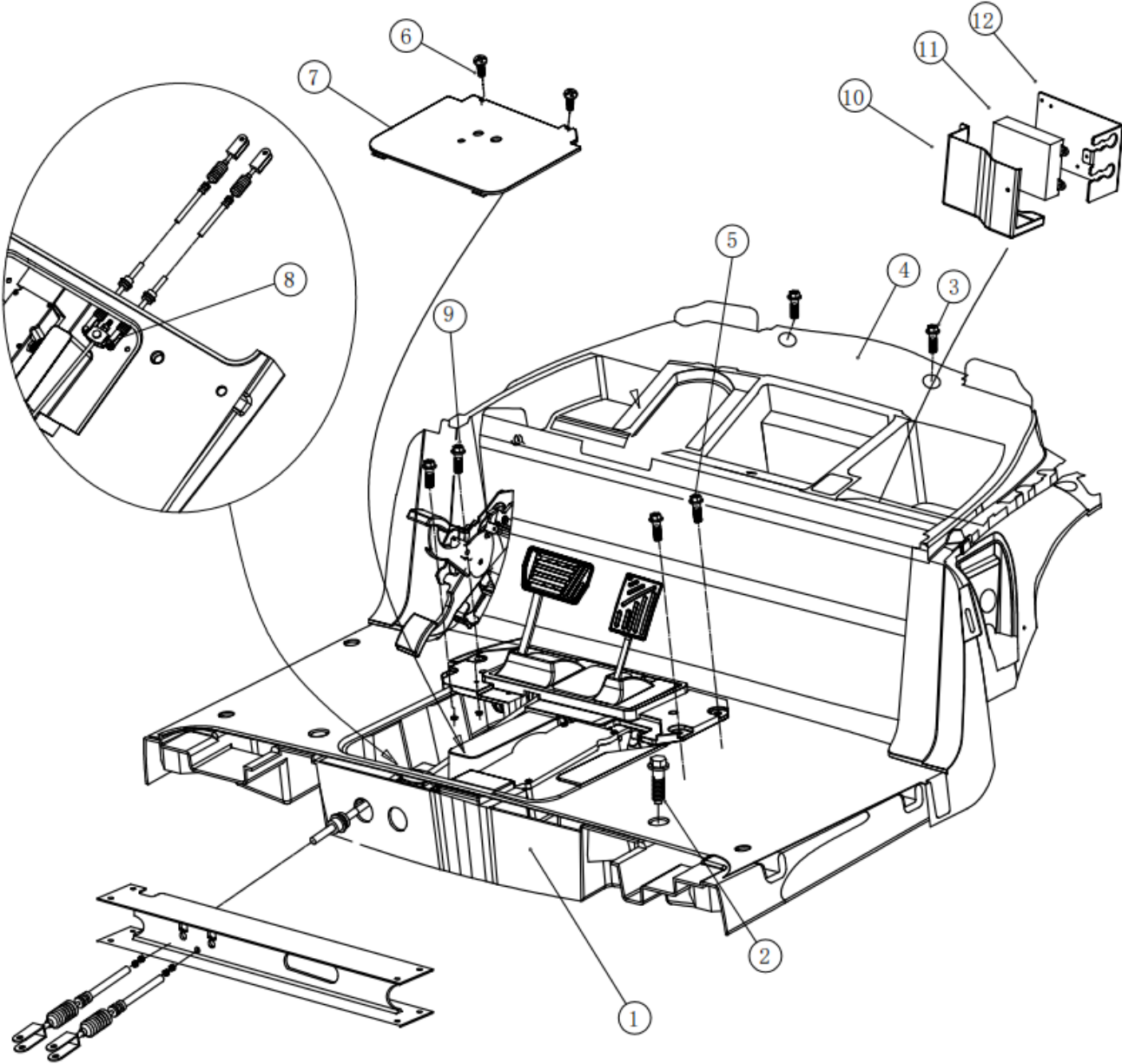
# Foot Parking brake assembly



## Foot Parking brake

| No. | Description                         | Code           | Pcs | Memo |
|-----|-------------------------------------|----------------|-----|------|
| 1   | Parking brake bracket               | 3.02.01.33.032 | 1   |      |
| 2   | foot brake pedal assembly plate     | 3.02.01.33.121 | 1   |      |
| 3   | Parking Brake pedal                 | 4.02.02.02.022 | 1   |      |
| 4   | Screw Flange M8*80                  | 4.03.02.01.025 | 4   |      |
| 5   | Hexagon socket head cap screw M6*16 | 4.03.02.05.003 | 3   |      |
| *   | Foot brake cover                    | 4.05.04.09.032 | 1   |      |

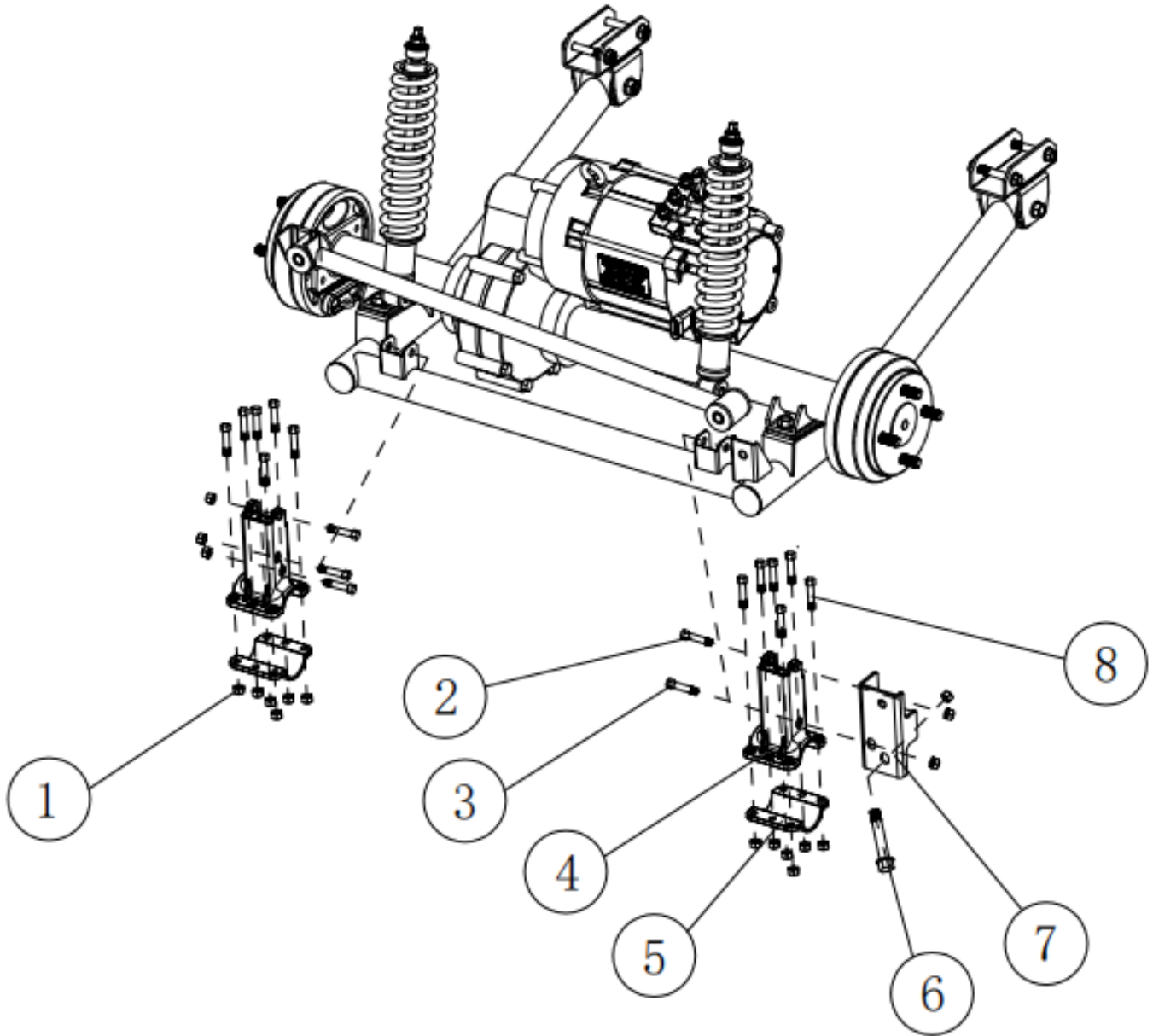
# Brake Pedal Assembly- Foot Ebrake



## Brake Pedal Assembly- Foot Ebrake

| No. | Description                     | Code           | Pcs | Memo     |
|-----|---------------------------------|----------------|-----|----------|
| 1   | Front Under Body Support        | 4.05.01.01.002 | 1   |          |
| 2   | Hex Self-tapping Screw 12*1 1/2 | 4.03.02.06.012 | 6   | 12*1 1/2 |
| 3   | Screw Flange M6*20              | 4.03.02.01.006 | 2   |          |
| 4   | Front Under Body                | 4.05.01.01.043 | 1   |          |
| 5   | Self-tapping Screw M8-12*70     | 4.03.02.06.025 | 2   |          |
| 6   | Self-tapping Screw M5*25        | 4.03.03.07.007 | 3   | M5*25    |
| 7   | Pedal Base Lid                  | 4.05.01.01.010 | 1   |          |
| 8   | Braking cable Joint             | 2.01.01.03.317 | 1   |          |
| 9   | Hex Self-tapping Screw M8-12*50 | 4.03.02.06.023 | 2   |          |
| 10  | Fuse Box Lid                    | 4.05.01.33.037 | 1   |          |
| 11  | Fuse Box Assembly               | 4.04.14.03.002 | 1   |          |
| 12  | Fuse Box Plate                  | 3.05.40.003    | 1   |          |

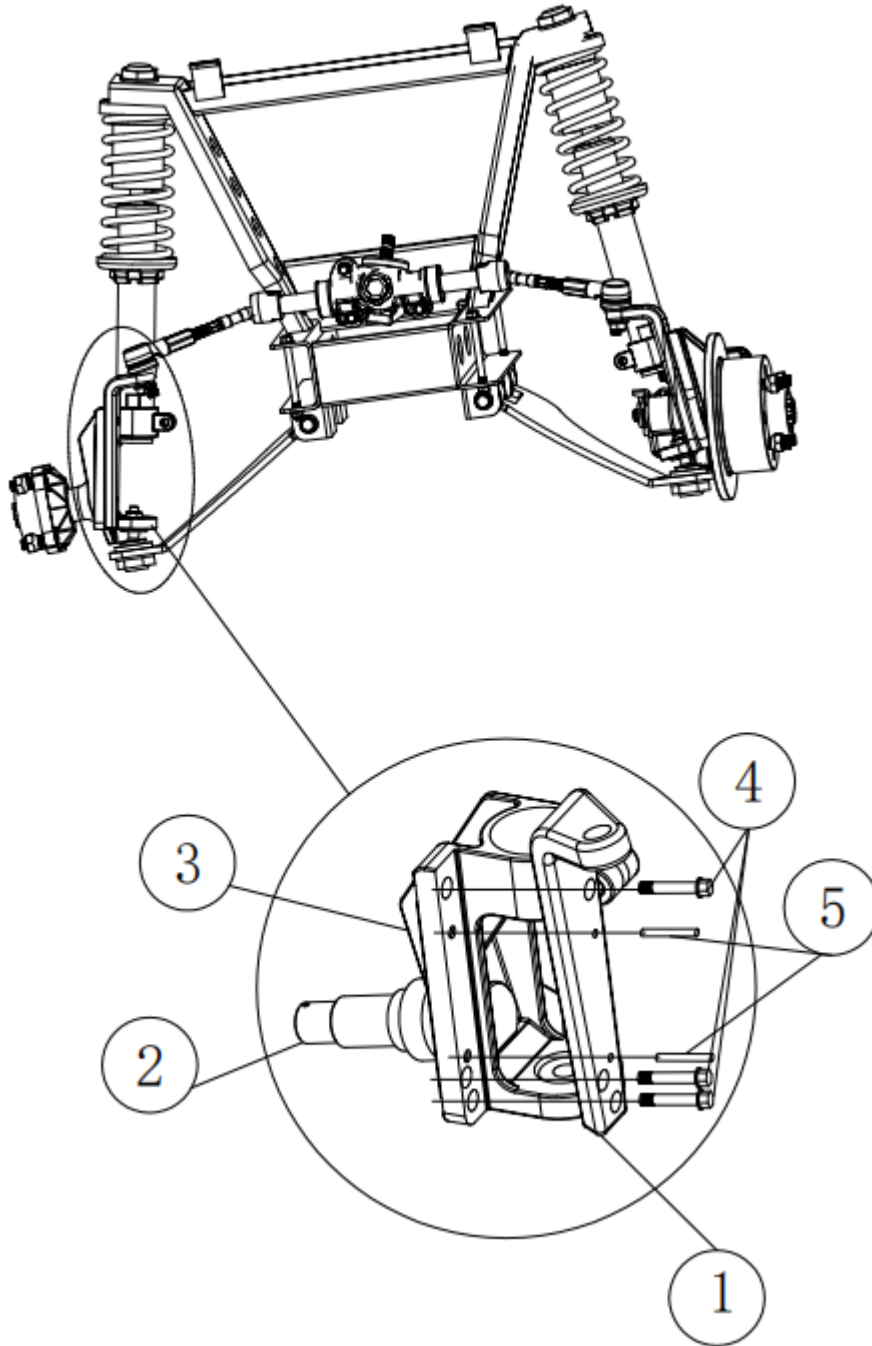
# Lifted Rear Subframe



## Lifted Rear Subframe

| No | Description                                 | Code           | Pcs | Memo |
|----|---------------------------------------------|----------------|-----|------|
| 1  | Lock nut M8*1.25                            | 4.03.04.01.003 | 18  |      |
| 2  | Screw Flange M8*65                          | 4.03.02.01.082 | 6   |      |
| 3  | Screw Flange M8*20                          | 4.03.02.01.014 | 12  |      |
| 4  | Lifted shock absorber mounting bracket      | 4.03.07.221    | 1   | 205  |
| 5  | Lifted shock absorber mounting bracket hoop | 4.03.07.222    | 1   | 205  |
| 6  | Screw Flange M8*60                          | 4.03.02.01.022 | 2   |      |
| 7  | Stabilizer bar bracket                      | 3.02.01.22.018 | 1   |      |
| 8  | Screw Flange M8*25                          | 4.03.02.01.015 | 2   |      |

# Lifted Front Subframe





## Lifted Front Subframe

| No. | Description              | Code                             | Pcs | Memo |
|-----|--------------------------|----------------------------------|-----|------|
| 1   | lifted spindle arm       | 3.02.01.01.190<br>3.02.01.01.191 | 1/1 | 205  |
| 2   | New lifted spindle shaft | 3.02.01.01.193                   | 1   |      |
| 3   | lifted spindle           | 3.02.01.01.188<br>3.02.01.01.189 | 1/1 | 205  |
| 4   | Screw M8*100             | 4.03.02.01.029                   | 3   |      |
| 5   | bolt                     | ****                             | 2   |      |
| 6   | Lifted Control Arm /L    | 3.02.01.22.002                   | 1   |      |
| 7   | Lifted Control Arm /R    | 3.02.01.22.006                   | 1   |      |