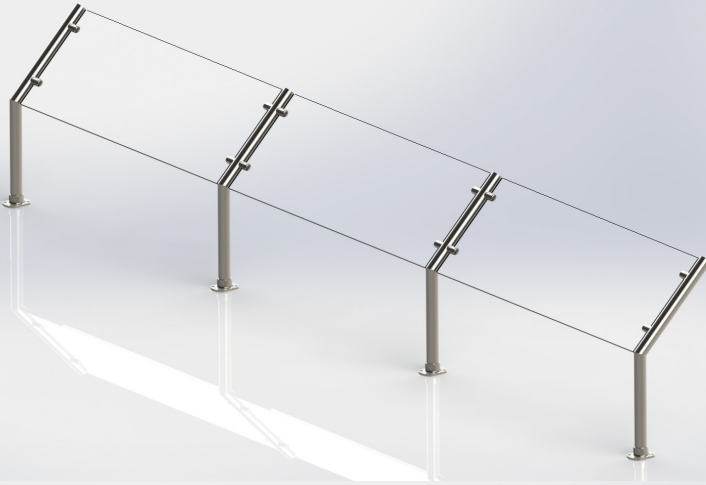


Project Name: _____
Location: _____
Item No: _____
Model No: _____
Quantity: _____

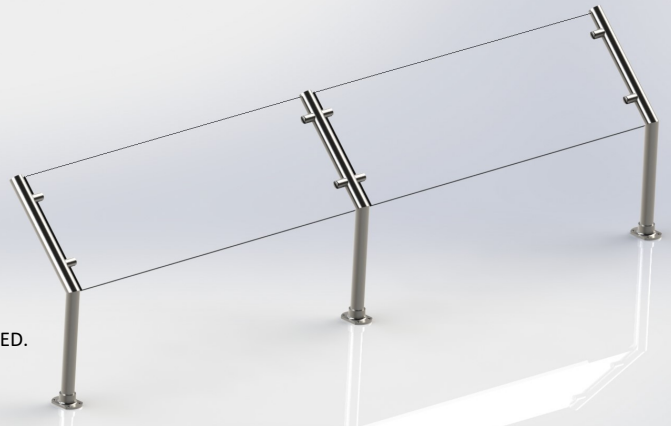
AcGuard

SELF SERVE SLANT POST



**SELF SERVE STYLE W/ SLANT POST AT 45° ANGLE
WITH 3 BAY GLASS PANELS**

END PANELS ARE NOT INCLUDED.
THEY ARE OPTIONAL.



**SELF SERVE STYLE W/ SLANT POST AT 45° ANGLE
WITH 2 BAY GLASS PANELS**

SELF SERVE STYLE FOOD SHIELD

ENHANCE AND PROTECT FOOD PRODUCT WITH A SNEEZE GUARD, SELF SERVE STYLE. FOOD SHIELDS ARE IDEAL FOR BUFFET, BRUNCH, SERVICE STATIONS, HOT/ COLD STATION. STYLISH AND FUNCTIONAL, WITH 1 1/2" ROUND TUBING THAT PROVIDE A ROBUST LOOK AND ELEGANT STYLE. AVAILABLE IN MULTIPLE CONFIGURATIONS, WITH OR WITH OUT END PANELS, SINGLE BAY OR MULTIPLE BAYS.

SPECIFICATIONS

1 1/2" ROUND STAINLESS STEEL TUBING CONSTRUCTION WITH SOLID STAINLESS STEEL GLASS CLAMPS, FLANGE POST AND END CAPS. STAINLESS STEEL TUBING SHALL BE 304 TYPE WITH #4 FINISH (BRUSHED) TIG WELDED CONSTRUCTION, CLEAN AND POLISHED TO A SMOOTH FINISH. 1/4" OR 3/8" THICK TEMPERED GLASS WITH FLAT POLISHED EDGES AT ALL SIDES (NO SHARP EDGES).

STANDARD MODEL FEATURES

- 1 1/2" ROUND STAINLESS STEEL POST
- SOLID STAINLESS STEEL GLASS CLAMPS
- STAINLESS STEEL FLANGE POST
- 1/4" OR 3/8" THICK CLEAR TEMPERED GLASS
- 23.5" STANDARD HEIGHT
- AVAILABLE IN DIFFERENT SIZES AND COMBINATIONS
- OPTIONAL END PANELS

AVAILABLE SIZES

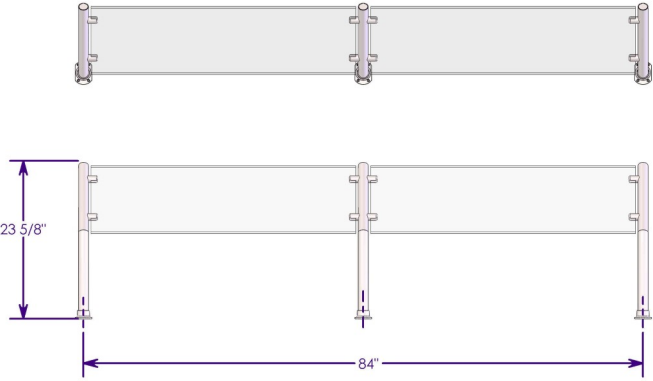
SELF SERVE FOOD SHIELD MODELS ARE 23.5" TALL WITH 1-5 BAY GLASS PANELS, WITH OR WITH OUT END PANELS AND MULTIPLE CONFIGURATIONS. CUSTOM SIZE/ LENGTH AVAILABLE. CONSULT FACTORY FOR CUSTOM SIZE.



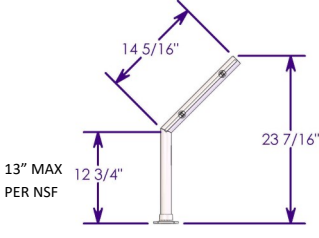
MODEL VIEWS

MODEL	SIZE	BAY	O.A. SIZE
45S-RP-4	42"	1	44.5"
45S-RP-7	84"	2	86.5"
45S-RP-10	126"	3	128.5"
45S-RP-14	168"	4	170.5"

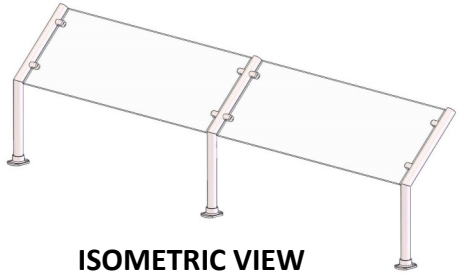
THE SIZE IS FROM CENTER TO CENTER OF EACH POST. OVER ALL SIZE (O.A.) IS THE OUTSIDE DIMENSION OF THE SNEEZE GUARD.



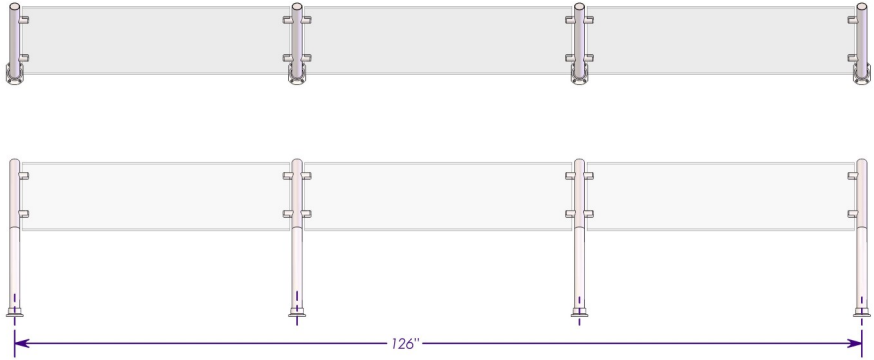
MODEL 45S-RP-4



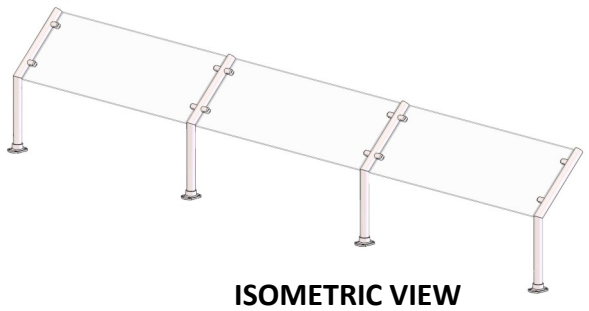
SIDE VIEW



ISOMETRIC VIEW



MODEL 45S-RP-10



ISOMETRIC VIEW



CENTER POST

ALL STAINLESS STEEL FABRICATION; TIG WELDED CONSTRUCTION, CLEAN AND POLISHED TO A SMOOTH FINISH.



FLANGE POST

