

Project Name: _____
 Location: _____
 Item No: _____
 Model No: _____
 Quantity: _____

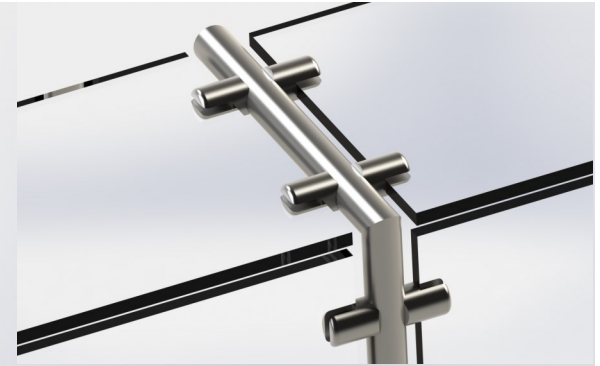
AcGuard

PASS OVER, TOP SHELF, SLIM SERIES

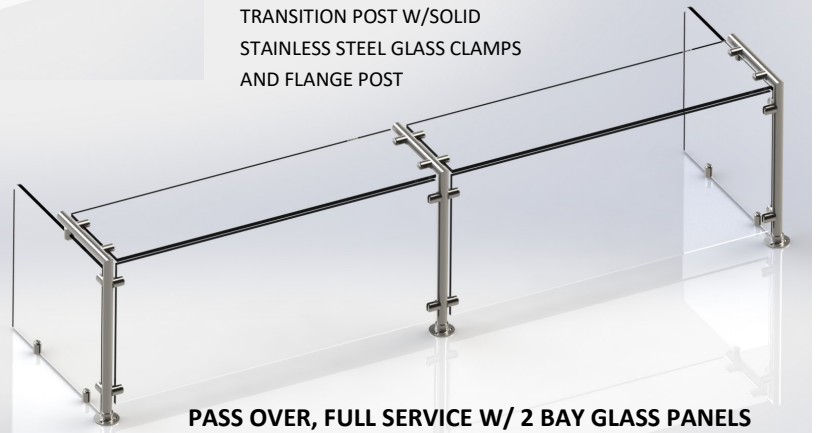


PASS OVER W/ OVER SELF, FULL SERVICE FOOD SHIELD

OPTIONAL END PANELS ARE TYPICAL 18" WIDE. UNLESS OTHERWISE SPECIFIED



TRANSITION POST W/SOLID STAINLESS STEEL GLASS CLAMPS AND FLANGE POST



PASS OVER, FULL SERVICE W/ 2 BAY GLASS PANELS

PASS OVER, FULL SERVICE FOOD SHIELD

ENHANCE AND PROTECT FOOD PRODUCT WITH A SNEEZE GUARD, PASS OVER STYLE WITH GLASS OVER SHELF, FULL SERVICE. FOOD SHIELDS ARE IDEAL FOR BUFFET LINES, BRUNCH, AND SERVICE STATIONS. STYLISH AND FUNCTIONAL. THE SLIM SERIES ARE 1" ROUND TUBING CONSTRUCTION AND IS AVAILABLE IN MULTIPLE CONFIGURATIONS, WITH OR WITH OUT END PANELS, SINGLE BAY GLASS PANEL OR MULTIPLE BAY GLASS PANELS.

DESIGN DRAWINGS ARE PROVIDED FOR EACH FOOD SHIELD, WITH AN OVER ALL PLAN LAY OUT OF SNEEZE GUARDS TO ENSURE EVERY FOOD AREA IS COVERED

SPECIFICATIONS

1" ROUND STAINLESS STEEL TUBING CONSTRUCTION WITH SOLID STAINLESS STEEL GLASS CLAMPS, FLANGE POST AND END CAPS. STAINLESS STEEL TUBING SHALL BE 304 TYPE WITH #4 FINISH (BRUSHED) TIG WELDED CONSTRUCTION, CLEAN AND POLISHED TO A SMOOTH FINISH. 1/4" THICK TEMPERED GLASS WITH FLAT POLISHED EDGES AT ALL SIDES (NO SHARP EDGES).

STANDARD MODEL FEATURES

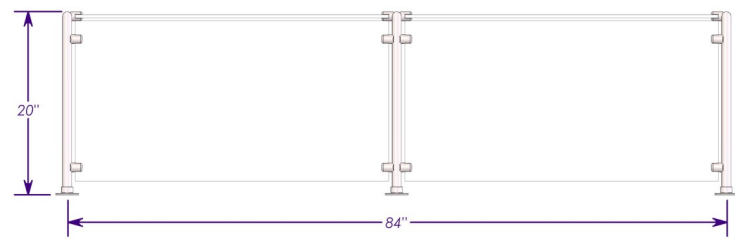
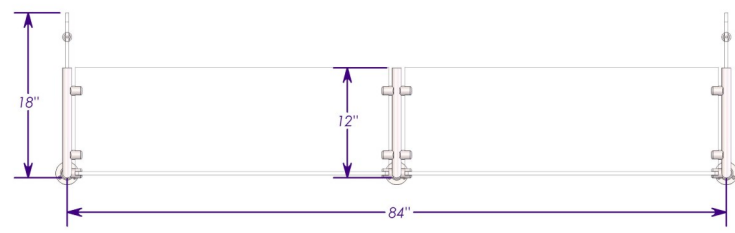
- 1" ROUND STAINLESS STEEL POST
- SOLID STAINLESS STEEL GLASS CLAMPS
- STAINLESS STEEL FLANGE POST
- 1/4" THICK CLEAR TEMPERED GLASS
- 20" HEIGHT AND 12" WIDE OVER SHELF
- AVAILABLE IN DIFFERENT SIZES AND COMBINATIONS
- OPTIONAL END PANELS

AVAILABLE SIZES

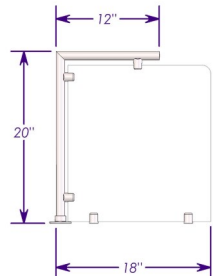
VERTICAL FOOD SHIELD MODELS ARE 20" TALL (STANDARD HEIGHT) WITH 1-5 BAY GLASS PANELS, WITH OR WITH OUT END PANELS AND MULTIPLE CONFIGURATIONS. CUSTOM SIZE/ LENGTH AVAILABLE. CONSULT FACTORY FOR CUSTOM SIZE.



MODEL VIEWS



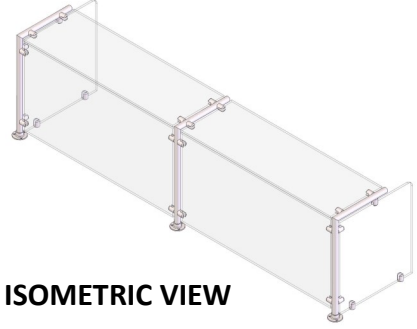
MODEL PO-SS-7



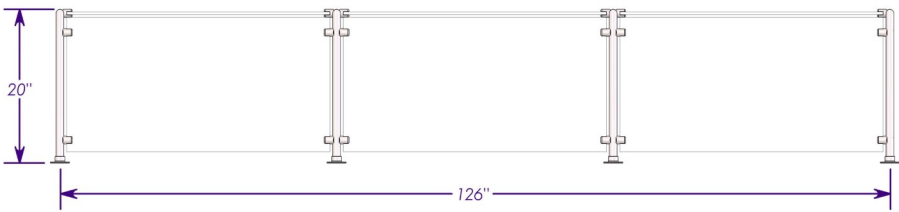
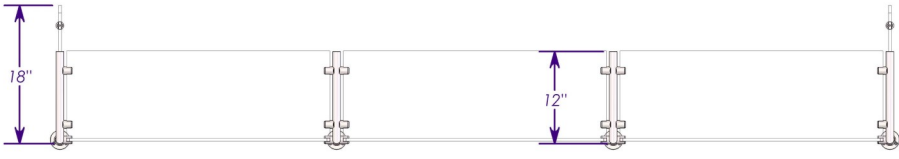
SIDE VIEW

MODEL	SIZE	BAY	O.A. SIZE
PO-SS-4	42"	1	45"
PO-SS-7	84"	2	87"
PO-SS-10	126"	3	129"
PO-SS-14	168"	4	171"

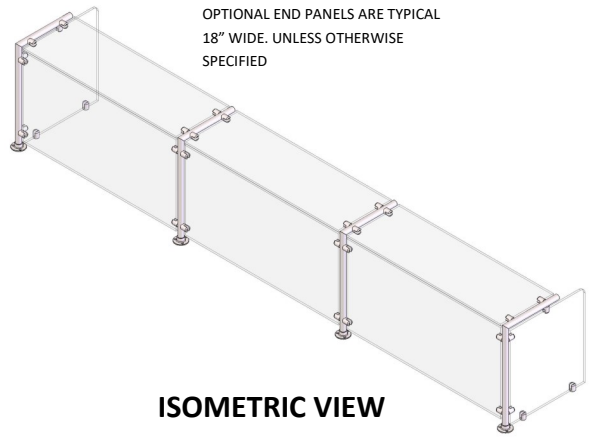
DIMENSIONS ARE FROM CENTER TO CENTER OF EACH POST. OVER ALL SIZE (O.A.) IS THE OUTSIDE DIMENSION.



ISOMETRIC VIEW

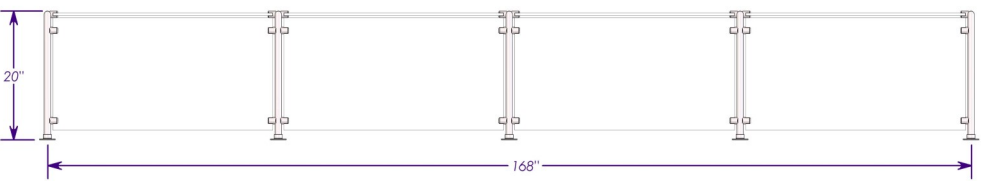
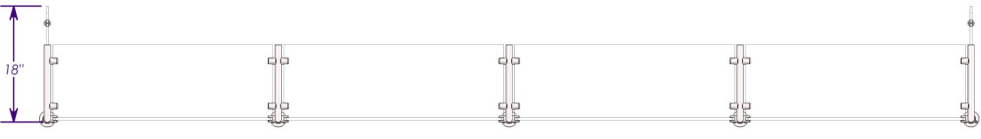


MODEL PO-SS-10

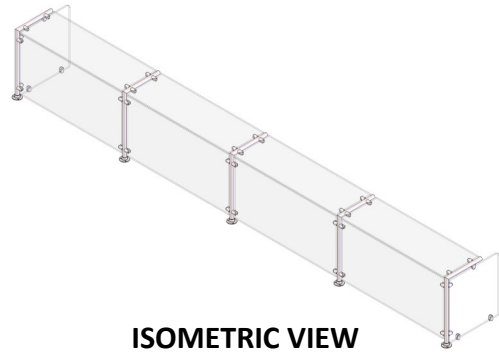


OPTIONAL END PANELS ARE TYPICAL 18" WIDE. UNLESS OTHERWISE SPECIFIED

ISOMETRIC VIEW



MODEL PO-SS-14



ISOMETRIC VIEW

