

Project Name: _____
 Location: _____
 Item No: _____
 Model No: _____
 Quantity: _____

AcGuard

VERTICAL SHIELD, FULL SERVICE



FULL SERVICE WITH END PANELS

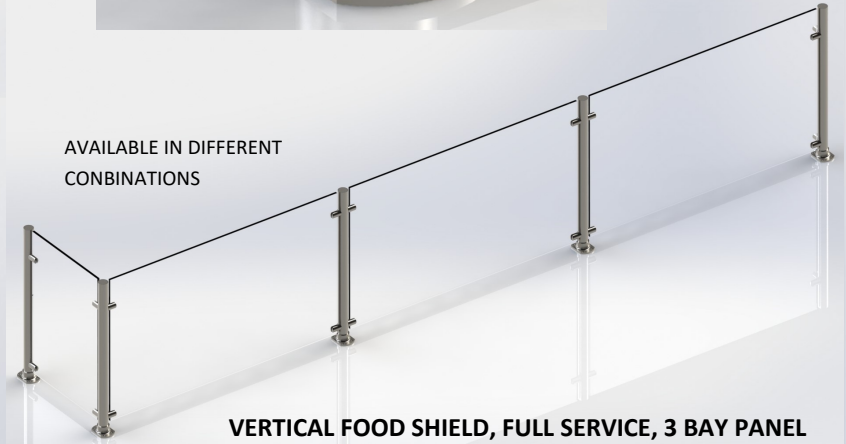


SOLID STAINLESS STEEL
GLASS CLAMPS AND
NARROW FLANGE POST



END PANELS ARE
INCLUDED

AVAILABLE IN DIFFERENT
COMBINATIONS



VERTICAL FOOD SHIELD, FULL SERVICE, 3 BAY PANEL

VERTICAL FOOD SHIELD, FULL SERVICE

ENHANCE AND PROTECT FOOD PRODUCT WITH A SNEEZE GUARD, FULL SERVICE (PASS OVER) STYLE. FOOD SHIELDS ARE IDEAL FOR BUFFET LINES, BRUNCH, AND SERVICE STATIONS. STYLISH AND FUNCTIONAL, WITH 1 1/2" ROUND TUBING THAT PROVIDE A ROBUST LOOK AND ELEGANT STYLE. AVAILABLE IN MULTIPLE CONFIGURATIONS, WITH OR WITH OUT END PANELS, SINGLE BAY OR MULTIPLE BAYS.

DESIGN DRAWINGS ARE PROVIDED FOR EACH STORE/LOCATION, WHICH INCLUDE AN OVER ALL PLAN LAY OUT OF SNEEZE GUARDS TO ENSURE EVERY FOOD AREA IS COVERED.

SPECIFICATIONS

1 1/2" ROUND STAINLESS STEEL TUBING CONSTRUCTION WITH SOLID STAINLESS STEEL GLASS CLAMPS, FLANGE POST AND END CAPS. STAINLESS STEEL TUBING SHALL BE 304 TYPE WITH #4 FINISH (BRUSHED) TIG WELDED CONSTRUCTION, CLEAN AND POLISHED TO A SMOOTH FINISH. 1/4" OR 3/8" THICK TEMPERED GLASS WITH FLAT POLISHED EDGES AT ALL SIDES (NO SHARP EDGES).

STANDARD MODEL FEATURES

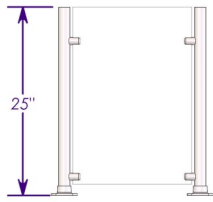
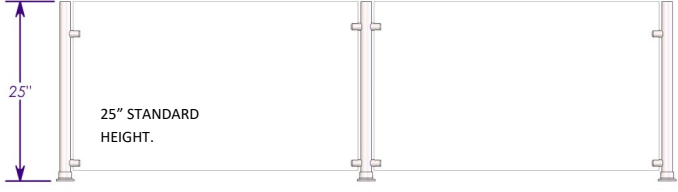
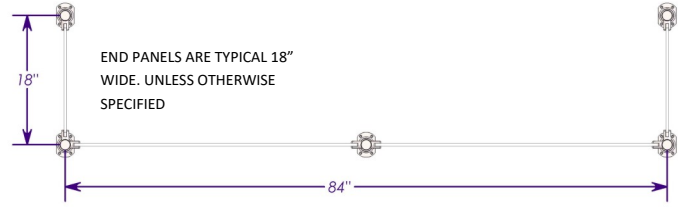
- 1 1/2" ROUND STAINLESS STEEL POST
- SOLID STAINLESS STEEL GLASS CLAMPS
- STAINLESS STEEL FLANGE POST
- 1/4" or 3/8" THICK CLEAR TEMPERED GLASS
- 25" STANDARD HEIGHT
- AVAILABLE IN DIFFERENT SIZES AND COMBINATIONS
- END PANELS ARE INCLUDED

AVAILABLE SIZES

VERTICAL FOOD SHIELD MODELS ARE 25" TALL (STANDARD HEIGHT) WITH 1-5 BAY GLASS PANELS, WITH OR WITH OUT END PANELS AND MULTIPLE CONFIGURATIONS. CUSTOM SIZE/LENGTH AVAILABLE IN THREE DIFFERENT HEIGHTS: 12"H, 18"H AND 25"H. CONSULT FACTORY FOR CUSTOM SIZE.



MODEL VIEWS

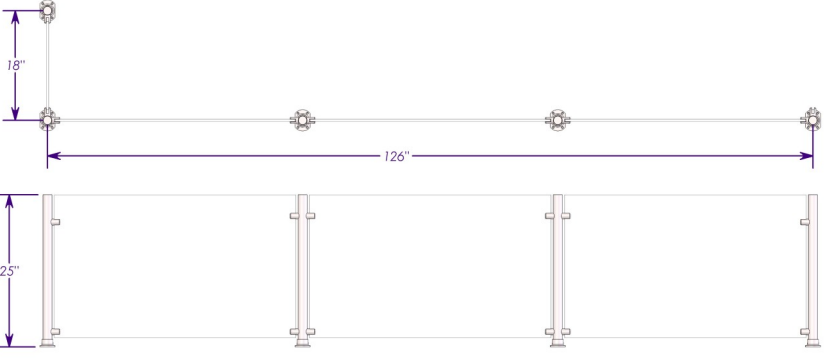


SIDE VIEW

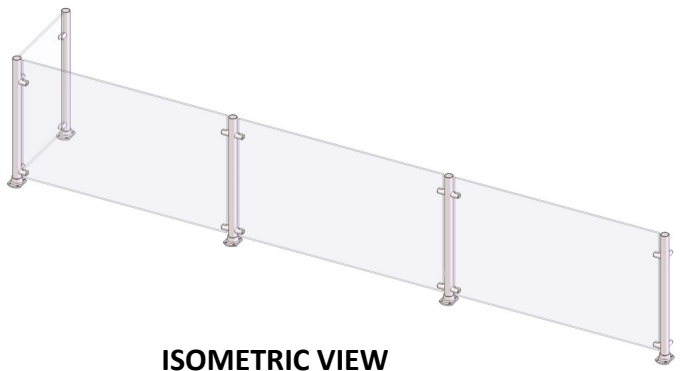
MODEL	SIZE	BAY
VFS-4	42"	1
VFS-7	84"	2
VFS-10	126"	3
VFS-14	168"	4

DIMENSIONS ARE FROM CENTER TO CENTER OF EACH POST. OVER ALL SIZE (O.A.) IS THE OUT-SIDE DIMENSION.

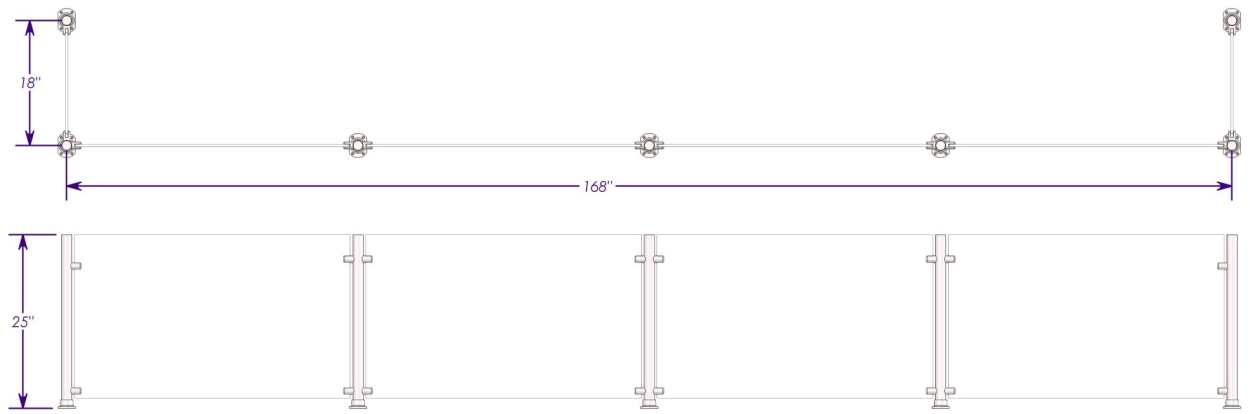
MODEL VFS-7



MODEL VFS-12



ISOMETRIC VIEW



MODEL VFS-16

