

Product Manufacturing



WHY IS SUNBELT YOUR BEST OPTION

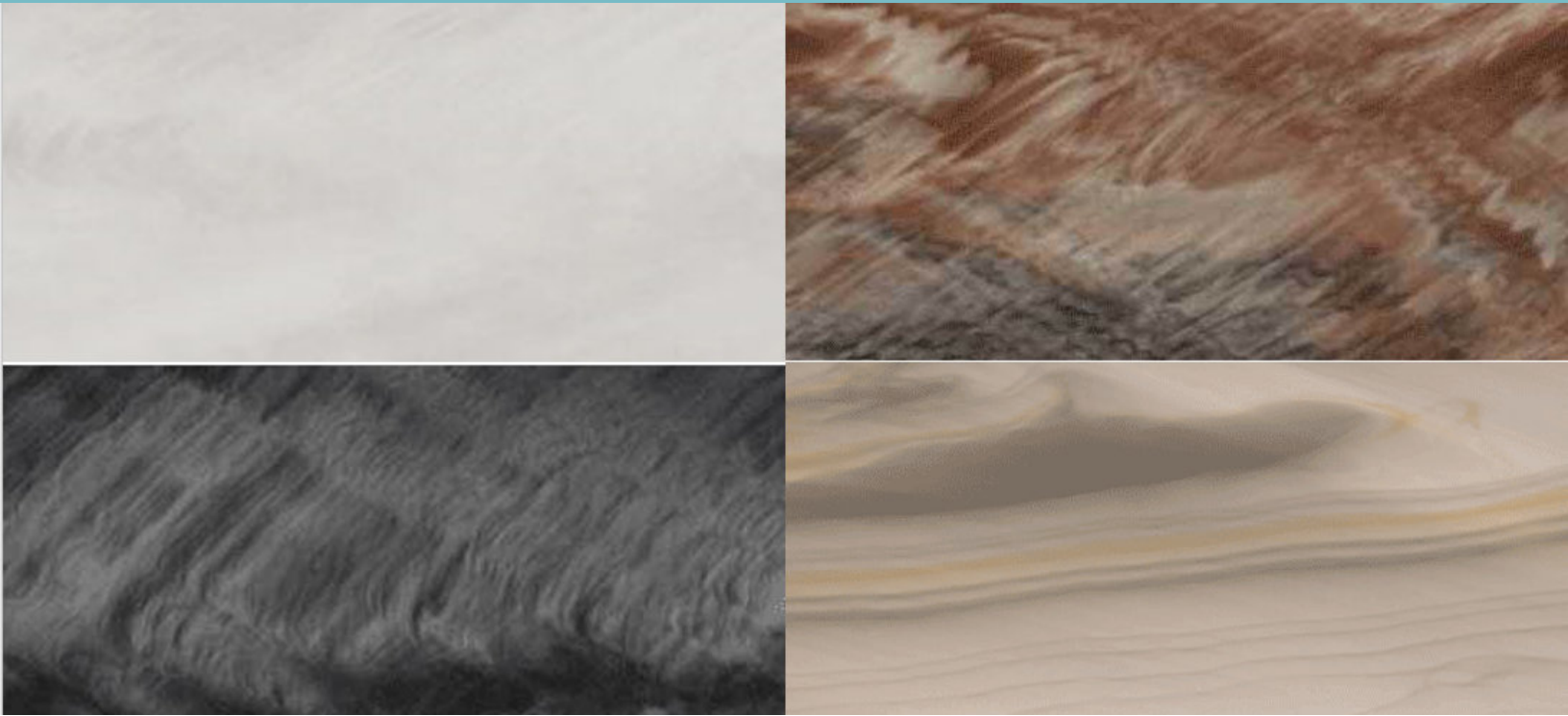
Our mission is to deliver products that are not only tough but Texas Strong like no other to the market. We hand craft our products with high quality, durable, American made products to ensure the highest quality. We utilize cutting edge software to manufacture and monitor our process and quality control to ensure your investment is protected.



Sunbelt Hot Tubs is CEC certified through IAPMO EGS, a trusted name for independent testing and listing for plumbing, pool, spa, bathtub and food equipment industries.

CEC certified means that the CEC has certified that our products are eligible renewable energy resources in accordance with Public Utilities Code Section 399.12(e) and the most recent guidelines adopted by the CEC.

ABS Backed Acrylic



Fabrication

We use high quality, smartly engineered, made to last acrylic capable of deep draw thermoforming for a smooth contour finish. We offer four breathtaking color - Sterling Silver, Tuscan Sun, Storm Clouds and Smoky Mountains. Our acrylics have a pristine high gloss appearance indoor and outdoor.

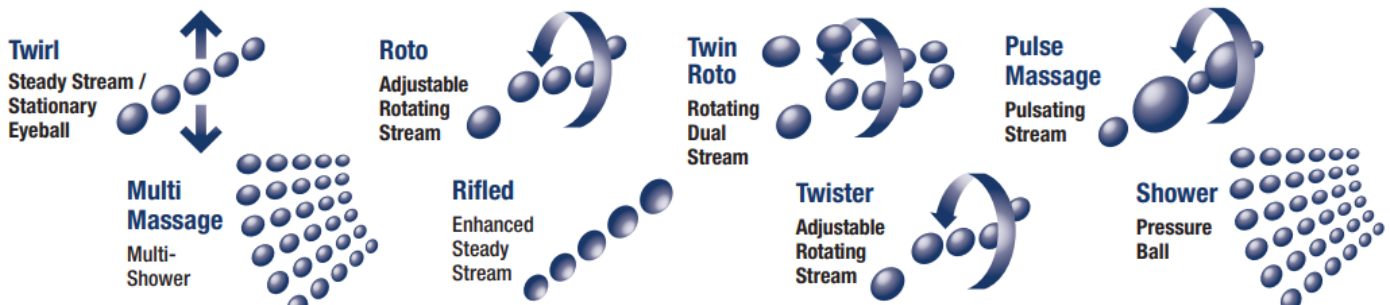
Texas Strong Shell



Shell

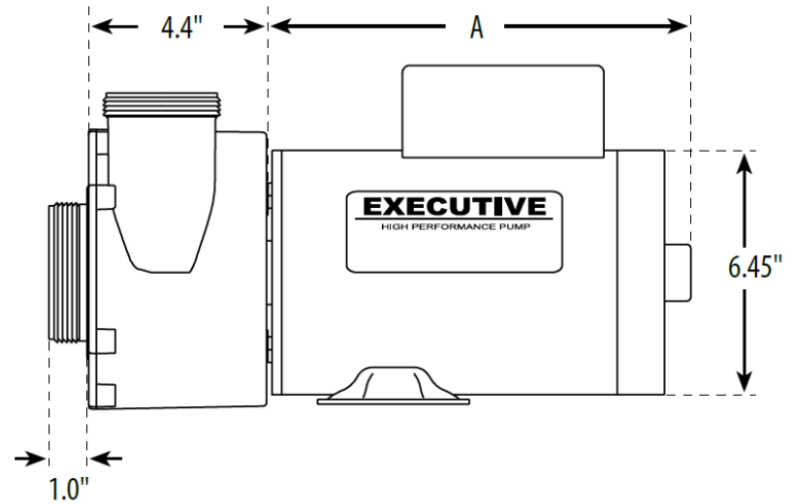
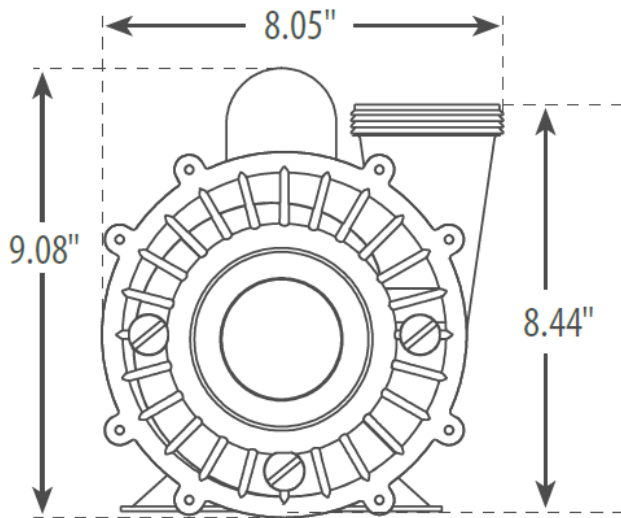
ABS backed acrylic supported and re-enforced with our proprietary technology SBTexas Strong PUGFC composite, made of green, non VOC, no high volatile solvents and eco-friendly non-polyester resing. Our shells are the thickest and sturdiest in the industry. They are designed to last for decades without sagging over time.

Jets & Plumbing



Our innovative SB Texas Strong Leak Free system is a must. Using a radial pressure seal technology coupled with our Texas Strong PUGFC shell, our tubs are made with ZERO leaks on jets, filters, controls, suctions or inserts; all without thaving silicone or glue on the back.

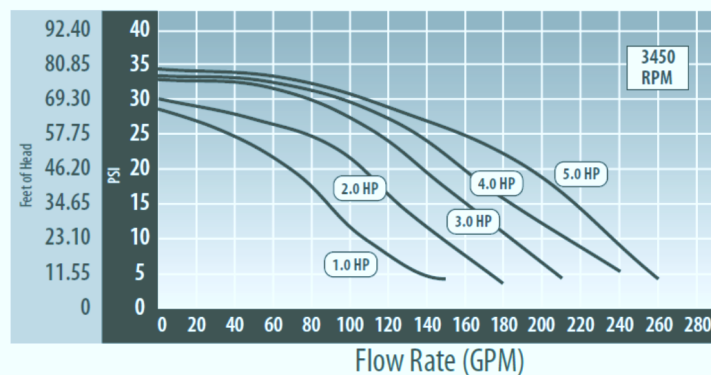
Power



Features:

- Two double shielded ball bearing with moisture resistant grease for quieter operation and longer life.
- Two speed motors have four sets of insulated windings for high performance.
- 56-frame motor for added strength.
- Large 2.5" intake for improve flow performance.
- Large 6.5" diameter wet end for high head pressure.
- Thermally protected to extend life expectancy of the motor.

PRESSURE VERSUS FLOW RATE





STORM SERIES

 Sunbelt

TEXAS STRONG HANDCRAFT®



STANDARD STORM FEATURES

- Digital Top Side Control
- Auxiliar Top Side Control
- 5.5 KW Heater 220V SB 2000 Pack
- 3" 12 Volt Spa Light
- Smart Water Sanitation System™ with Corona Discharge Ozone, and Minerals Water treatment Inline Feeder
- Endurance Cabinet™ with ABS Bottom Pan
- 4" to 2" Tapered UL Sunbelt Shield™ Cover
- Sunbelt Foot Dome™ with Volcano Jet on all models except Tornado.
- Stress Relief Shoulder Blaster Jets™
- Sunbelt EVA Pillows

OPTIONAL STORM FEATURES

- 8, 16, 20 & 32 Spot LED Packages
- LED Mood Lighting Bulb Upgrade
- Corner Lights
- UV Sanitation System
- Bluetooth Transducer Audio with Subwoofer
- Waterfall LED Spots
- Real Cedar Wood Cabinet
- Sunbelt Salt Water System™
- Sunbelt Cold Water System™
- APP Connectivity Package: Touch Screen+WIFI
- Circulation Pump
- 3rd Pump on Typhoon and Monsoon.



Sunbelt

TEXAS STRONG HANDCRAFT®

TORNADO



DIMENSIONS	MEASUREMENT
LENGTH	83 in
WIDTH	66 in
HEIGHT	34 in
APROX VOLUME	259 Gallons

Part No.	Description	Quantity
12-1144	Smart touch 1500 Pack	1
12-1015	KP-100-LX SB TSC	1
63-1018	EXEC 4HP 2SP PUMP	1
73-1015	2" Jet Assembly	8
73-1016	3" Jet Assembly	6
73-1017	5" Jet Assembly	11
73-1008	Ozonator	1
30-1015	Frog Sanitation System	1
99-5675	Water Fall	1
66-1128	SGMS Air Control	4
17-1040	SQR VGB Suction	2
31-1002	ABS-Bottom Pan	1
28-1014	Squared EVA Pillow	2
82-1028	Shoulder Wrap EVA Pillow	1
17-1012	50 SQF Teleweir Filter	1

HURRICANE



DIMENSIONS	MEASUREMENT
LENGTH	85 in
WIDTH	74 in
HEIGHT	34 in
APROX VOLUME	297 Gallons

Part No.	Description	Quantity
73-1003	Foot Dome + Diverter	1
12-1004	Smart touch 2000 Pack	1
12-1100	Auxiliary Control	1
63-1018	EXEC 4HP 2SP PUMP	2
73-1015	2" Jet Assembly	14
73-1016	3" Jet Assembly	8
73-1017	5" Jet Assembly	17
73-1018	Volcano Jet Assembly	1
73-1008	Ozonator	1
30-1015	Frog	1
63-1128	SGMS Air Control	4
17-1040	SQR VGB Suction	4
63-1100	Waterfall Assembly	1
63-1100	SGMS Shut-Off Valve	1
28-1014	Squared EVA Pillow	2
82-1028	Shoulder Wrap EVA Pillow	1
17-1012	50 SQF Teleweir Filter	1
31-1002	ABS Bottom pan	1

AURORA



DIMENSIONS	MEASUREMENT
LENGTH	81 in
WIDTH	81 in
HEIGHT	38 in
APROX VOLUME	347 Gallons

Part No.	Description	Quantity
73-1003	Foot Dome + Diverter	1
12-1004	Smart touch 2000 Pack	1
12-1100	Auxiliary Control	1
63-1018	EXEC 4HP 2SP PUMP	2
73-1015	2" Jet Assembly	6
73-1016	3" Jet Assembly	4
73-1017	5" Jet Assembly	26
73-1018	Volcano Jet Assembly	1
73-1008	Ozonator	1
30-1015	Frog	1
63-1128	SGMS Air Control	3
17-1040	SQR VGB Suction	4
63-1100	Waterfall Assembly	1
63-1100	SGMS Shut-Off Valve	1
28-1014	Squared EVA Pillow	3
82-1028	Shoulder Wrap EVA Pillow	1
17-1012	50 SQF Teleweir Filter	1
31-1002	ABS Bottom Pan	1

TWISTER



DIMENSIONS	MEASUREMENT
LENGTH	81 in
WIDTH	81 in
HEIGHT	38 in
APROX VOLUME	347 Gallons

Part No.	Description	Quantity
73-1003	Foot Dome + Diverter	1
12-1004	Smart touch 2000 Pack	1
12-1100	Auxiliary Control	1
63-1018	EXEC 4HP 2SP PUMP	2
73-1015	2" Jet Assembly	10
73-1016	3" Jet Assembly	6
73-1016	4" Jet Assembly	6
73-1017	5" Jet Assembly	15
73-1018	Volcano Jet Assembly	1
73-1008	Ozonator	1
30-1015	Frog	1
63-1128	SGMS Air Control	3
17-1040	SQR VGB Suction	4
63-1100	Waterfall Assembly	1
63-1100	SGMS Shut-Off Valve	1
28-1014	Squared EVA Pillow	2
82-1028	Shoulder Wrap EVA Pillow	1
17-1012	50 SQF Teleweir Filter	1
31-1002	ABS Bottom Pan	1

TYPHOON



DIMENSIONS	MEASUREMENT
LENGTH	91 in
WIDTH	91 in
HEIGHT	39 in
APROX VOLUME	449 Gallons

Part No.	Description	Quantity
73-1003	Foot Dome + Diverter	1
12-1004	Smart touch 2000 Pack	1
12-1100	Auxiliary Control	1
63-1018	EXEC 4HP 2SP PUMP	2
73-1015	2" Jet Assembly	16
73-1016	3" Jet Assembly	10
73-1017	5" Jet Assembly	23
73-1018	Volcano Jet Assembly	1
73-1008	Ozonator	1
30-1015	Frog	1
63-1128	SGMS Air Control	4
17-1040	SQR VGB Suction	4
63-1100	Waterfall Assembly	1
63-1100	SGMS Shut-Off Valve	1
28-1014	Squared EVA Pillow	2
82-1028	Shoulder Wrap EVA Pillow	1
17-1012	50 SQF Teleweir Filter	2
31-1002	ABS Bottom Pan	1

MONSOON



DIMENSIONS	MEASUREMENT
LENGTH	91 in
WIDTH	91 in
HEIGHT	39 in
AROX. VOLUME	449 Gallons

Part No.	Description	Quantity
73-1003	Foot Dome + Diverter	1
12-1004	Smart touch 2000 Pack	1
12-1100	Auxiliary Control	1
63-1018	EXEC 4HP 2SP PUMP	2
73-1015	2" Jet Assembly	12
73-1016	3" Jet Assembly	8
73-1017	5" Jet Assembly	28
73-1018	Volcano Jet Assembly	1
73-1008	Ozonator	1
30-1015	Frog	1
63-1128	SGMS Air Control	4
17-1040	SQR VGB Suction	4
63-1100	Waterfall Assembly	1
63-1100	SGMS Shut-Off Valve	1
28-1014	Squared EVA Pillow	2
82-1028	Shoulder Wrap EVA Pillow	2
17-1012	50 SQF Teleweir Filter	2
31-1002	ABS Bottom Pan	1



 Sunbelt
TEXAS STRONG HANDCRAFT®

SB SERIES



STANDARD SB SERIES FEATURES

- Digital Programmable Controls
- 5" 12 Volt Spa Light
- Corona Discharge Ozone System
- Endurance Cabinet with Weather Liner
- 4" to 2" Marine Grade Vinyl Safety Cover

OPTIONAL SB SERIES FEATURES

- 8, 16, 20 & 32 Spot LED Packages
- LED Jet Package
- LED Mood Lighting Bulb Upgrade
- Frog Inline Sanitation System
- Corner Lights
- UV Sanitation System
- Bluetooth Transducer Audio with Subwoofer
- Waterfall LED Spots
- Real Cedar Wood Cabinet

SB 610



DIMENSIONS	MEASUREMENT
LENGTH	86 in
WIDTH	73 in
HEIGHT	36 in
APROX. VOLUME	316 Gallons

Part No.	Description	Quantity
12-1015	KP-1000-LX SB-TSC	1
12-1004	Smart touch 1500 Pack	1
63-1018	EXEC 4HP 2SP PUMP	1
73-1015	2" Jet Assembly	12
73-1016	3" Jet Assembly	11
73-1017	5" Jet Assembly	4
17-1040	SQR VGB Suction	2
73-1008	Ozonator	1
63-1128	SGMS Air Control	3
28-1014	Squared EVA Pillow	2
17-1012	50 SQF Teleweir Filter	1
101-1001	Plastic Liner PE	1

SB 721



DIMENSIONS	MEASUREMENT
LENGTH	83 in
WIDTH	83 in
HEIGHT	36 in
APROX. VOLUME	345 Gallons

Part No.	Description	Quantity
12-1015	KP-1000-LX SB-TSC	1
12-1004	Smart touch 1500 Pack	1
63-1018	EXEC 4HP 2SP PUMP	2
73-1015	2" Jet Assembly	18
73-1016	3" Jet Assembly	16
73-1017	5" Jet Assembly	6
17-1012	50 SQF Teleweir Filter	1
73-1008	Ozonator	1
17-1040	SQR VGB Suction	4
63-1128	SGMS Air Control	4
101-1001	Plastic Liner PE	1
28-1014	Squared EVA Pillow	3

SB 820



DIMENSIONS	MEASUREMENT
LENGTH	87 in
WIDTH	87 in
HEIGHT	36 in
APROX. VOLUME	379 Gallons

Part No.	Description	Quantity
12-1015	KP-1000-LX SB-TSC	1
12-1004	Smart touch 1500 Pack	1
63-1018	EXEC 4HP 2SP PUMP	2
73-1015	2" Jet Assembly	14
73-1016	3" Jet Assembly	21
73-1017	5" Jet Assembly	6
17-1012	50 SQF Teleweir Filter	1
73-1008	Ozonator	1
17-1040	SQR VGB Suction	4
63-1128	SGMS Air Control	4
101-1001	Plastic Liner PE	1
28-1014	Squared EVA Pillow	4

SB 821



DIMENSIONS	MEASUREMENT
LENGTH	93 in
WIDTH	93 in
HEIGHT	36 in
APROX. VOLUME	433 Gallons

Part No.	Description	Quantity
12-1015	KP-1000-LX SB-TSC	1
12-1004	Smart touch 1500 Pack	1
63-1018	EXEC 4HP 2SP PUMP	2
73-1015	2" Jet Assembly	26
73-1016	3" Jet Assembly	15
73-1017	5" Jet Assembly	6
17-1012	50 SQF Teleweir Filter	1
73-1008	Ozonator	1
17-1040	SQR VGB Suction	4
63-1128	SGMS Air Control	4
101-1001	Plastic Liner PE	1
28-1014	Squared EVA Pillow	3

SB 822



DIMENSIONS	MEASUREMENT
LENGTH	93 in
WIDTH	93 in
HEIGHT	36 in
APROX. VOLUME	433 Gallons

Part No.	Description	Quantity
12-1015	KP-1000-LX SB-TSC	1
12-1004	Smart touch 1500 Pack	1
63-1018	EXEC 4HP 2SP PUMP	2
73-1015	2" Jet Assembly	26
73-1016	3" Jet Assembly	15
73-1017	5" Jet Assembly	6
17-1012	50 SQF Teleweir Filter	1
73-1008	Ozonator	1
17-1040	SQR VGB Suction	4
63-1128	SGMS Air Control	4
101-1001	Plastic Liner PE	1
28-1014	Squared EVA Pillow	3



 **Sunbelt**
TEXAS STRONG HANDCRAFT®

Love Star
SERIES





STANDARD LONESTAR FEATURES

- Digital Programmable Controls
- 5.5 KW Heater 220V SB 1500 Pack
- 3" 12 Volt Spa Light
- Corona Discharge Ozone System
- Endurance Cabinet™ with Weather Liner (LS 400, LS 500, LS 700, LS 800, Corona)
- Endurance Cabinet™ with ABS Bottom Pan (Tranquility, LS900, LS950)
- 4" to 2" Tapered UL Sunbelt Shield™ Cover

OPTIONAL LONESTAR FEATURES

- 8, 16, 20 & 32 Spot LED Packages
- LED Jet Package
- LED Mood Lighting Bulb Upgrade
- Corner Lights
- UV Sanitation System
- Bluetooth Transducer Audio with Subwoofer
- Waterfall and Laminar Water Features
- Real Cedar Wood Cabinet
- Sunbelt Salt Water System™
- Sunbelt Cold Water System™
- Connectivity Package: Touch Screen+WIFI+App
- Minerals water treatment Inline Feeder

LS400



DIMENSIONS	MEASUREMENT
LENGTH	78 in
WIDTH	66 in
HEIGHT	34 in
APROX. VOLUME	244 Gallons

Part No.	Description	Quantity
12-1100	4-Button TSC	1
12-1004	Smart touch 1500 Pack	1
63-1018	EXEC 4HP 2SP PUMP	1
73-1015	2" Jet Assembly	2
73-1016	3" Jet Assembly	18
73-1008	Ozonator	1
17-1040	SQR VGB Suction	2
63-1128	SGMS Air Control	2
101-1001	Plastic Liner PE	1
28-1014	Squared EVA Pillow	2
17-1012	35 SQF Teleweir Filter	1

LS500



DIMENSIONS	MEASUREMENT
LENGTH	78 in
WIDTH	78 in
HEIGHT	35 in
APROX. VOLUME	296 Gallons

Part No.	Description	Quantity
12-1015	KP-1000-LX SB-TSC	1
12-1004	Smart touch 1500 Pack	1
63-1018	EXEC 4HP 2SP PUMP	1
73-1015	2" Jet Assembly	10
73-1016	3" Jet Assembly	14
73-1008	Ozonator	1
17-1040	SQR VGB Suction	2
63-1128	SGMS Air Control	2
101-1001	Plastic Liner PE	1
28-1014	Squared EVA Pillow	2
17-1012	50 SQF Teleweir Filter	1

LS700



DIMENSIONS	MEASUREMENT
LENGTH	89 in
WIDTH	78 in
HEIGHT	35 in
APROX. VOLUME	338 Gallons

Part No.	Description	Quantity
12-1015	KP-1000-LX SB-TSC	1
12-1004	Smart touch 1500 Pack	1
63-1018	EXEC 4HP 2SP PUMP	1
73-1015	2" Jet Assembly	12
73-1016	3" Jet Assembly	18
73-1008	Ozonator	1
17-1040	SQR VGB Suction	2
63-1128	SGMS Air Control	3
101-1001	Plastic Liner PE	1
28-1014	Squared EVA Pillow	2
17-1012	50 SQF Teleweir Filter	1

LS800



DIMENSIONS	MEASUREMENT
LENGTH	89 in
WIDTH	89 in
HEIGHT	39 in
APROX. VOLUME	429 Gallons

Part No.	Description	Quantity
12-1015	KP-1000-LX SB-TSC	1
12-1004	Smart touch 1500 Pack	1
63-1018	EXEC 4HP 2SP PUMP	2
73-1015	2" Jet Assembly	18
73-1016	3" Jet Assembly	18
73-1016	4" Jet Assembly	8
73-1018	Volcano Jet Assembly	1
73-1008	Ozonator	1
17-1040	SQR VGB Suction	4
63-1128	SGMS Air Control	4
101-1001	Plastic Liner PE	1
28-1014	Squared EVA Pillow	2
17-1012	50 SQF Teleweir Filter	1

LS900



DIMENSIONS	MEASUREMENT
LENGTH	95 in
WIDTH	95 in
HEIGHT	40 in
APROX. VOLUME	502 Gallons

Part No.	Description	Quantity
12-1015	KP-1000-LX SB-TSC	1
12-1004	Smart touch 1500 Pack	1
63-1018	EXEC 4HP 2SP PUMP	2
73-1015	2" Jet Assembly	28
73-1016	3" Jet Assembly	17
73-1016	4" Jet Assembly	14
73-1018	Volcano Jet Assembly	1
73-1008	Ozonator	1
17-1040	SQR VGB Suction	4
63-1128	SGMS Air Control	6
31-1001	ABS Bottom Pan	1
28-1014	Squared EVA Pillow	3
17-1012	50 SQF Teleweir Filter	2

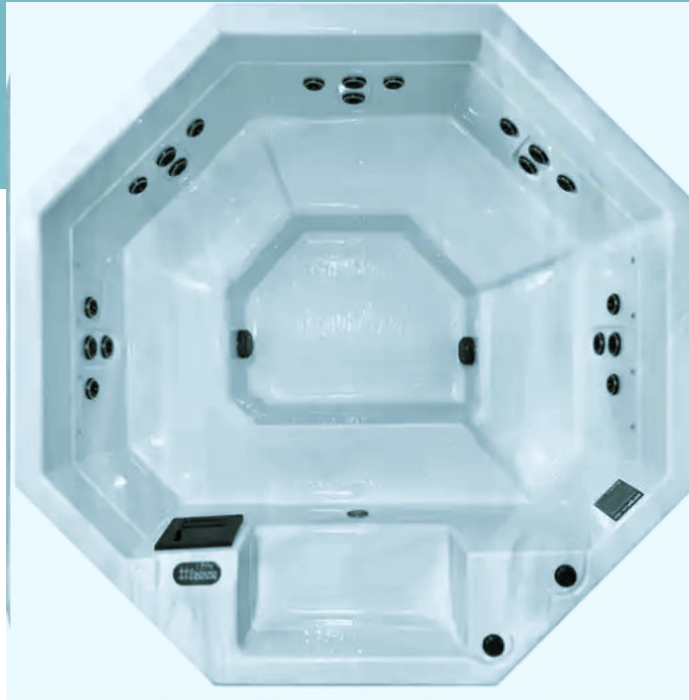
LS950



DIMENSIONS	MEASUREMENT
LENGTH	95 in
WIDTH	95 in
HEIGHT	42 in
APROX. VOLUME	502 Gallons

Part No.	Description	Quantity
12-1015	KP-1000-LX SB-TSC	1
12-1004	Smart touch 1500 Pack	1
63-1018	EXEC 4HP 2SP PUMP	2
73-1015	2" Jet Assembly	35
73-1016	3" Jet Assembly	14
73-1016	4" Jet Assembly	12
73-1018	Volcano Jet Assembly	1
73-1008	Ozonator	1
17-1040	SQR VGB Suction	4
63-1128	SGMS Air Control	6
31-1001	ABS Bottom Pan	1
28-1014	Squared EVA Pillow	3
17-1012	50 SQF Teleweir Filter	2

LS CORONA



DIMENSIONS	MEASUREMENT
LENGTH	93 in
WIDTH	93 in
HEIGHT	34 in
APROX. VOLUME	338 Gallons

Part No.	Description	Quantity
12-1015	KP-1000-LX SB-TSC	1
12-1004	Smart touch 1500 Pack	1
63-1018	EXEC 4HP 2SP PUMP	1
73-1016	4" Jet Assembly	10
73-1016	3" Jet Assembly	10
63-1128	SGMS Air Control	2
17-1040	SQR VGB Suction	2
101-1001	PE Liner (PE)	1
17-1012	50 SQF Filter	2

LS TRANQUILITY



DIMENSIONS	MEASUREMENT
DIAMETER	84 in
WIDTH	Round
HEIGHT	35 in
APROX. VOLUME	270 Gallons

Part No.	Description	Quantity
12-1100	4 Button TSC	1
12-1004	Smart touch 1500 Pack	1
63-1018	EXEC 4HP 2SP PUMP	1
73-1016	3" Jet Assembly	10
73-1016	4" Jet Assembly	10
73-1008	Ozonator	1
17-1040	SQR VGB Suction	2
63-1128	SGMS Air Control	2
31-1001	ABS Bottom Pan	1
17-1012	50 SQF Teleweir Filter	2



Sunbelt

TEXAS STRONG HANDCRAFT®

LEISURE
SERIES



STANDARD LEISURE FEATURES

- Digital Programmable Controls
- 3" 12 Volt Spa Light
- Ozone Ready
- Endurance Cabinet with Weather Liner
- 4" to 2" Marine Grade Vinyl Safety Cover

OPTIONAL LEISURE FEATURES

- 8, 16, 20 & 32 Spot LED Packages
- LED Mood Lighting Bulb Upgrade
- Corner Lights
- Corona Discharge Ozone System
- UV Sanitation System
- Bluetooth Transducer Audio with Subwoofer
- Waterfall / Waterfall LED Spots
- Extended Warranty
- Real Cedar Wood Cabinet
- Foot Dome with Volcano Jets



Sunbelt

TEXAS STRONG HANDCRAFT®

TORNADO LEISURE



DIMENSIONS	MEASUREMENT
LENGTH	83 in
WIDTH	66 in
HEIGHT	34 in
APROX. VOLUME	259 Gallons

Part No.	Description	Quantity
12-1015	KP-1000-LX SB-TSC	1
12-1004	Smart touch 1500 Pack	1
63-1018	EXEC 4HP 2SP PUMP	1
73-1015	2" Jet Assembly	14
73-1016	3" Jet Assembly	10
17-1040	SQR VGB Suction	2
63-1128	SGMS Air Control	2
28-1014	Squared EVA Pillow	2
17-1012	50 SQF Teleweir Filter	2
101-1001	PE Liner (PE)	1

HURRICANE LEISURE



DIMENSIONS	MEASUREMENT
LENGTH	85 in
WIDTH	74 in
HEIGHT	34 in
APROX. VOLUME	297 Gallons

Part No.	Description	Quantity
12-1015	KP-1000-LX SB-TSC	1
12-1004	Smart touch 1500 Pack	1
63-1018	EXEC 4HP 2SP PUMP	1
73-1015	2" Jet Assembly	14
73-1016	3" Jet Assembly	17
17-1040	SQR VGB Suction	2
63-1128	SGMS Air Control	2
28-1014	Squared EVA Pillow	2
17-1012	50 SQF Teleweir Filter	2
101-1001	PE Liner (PE)	1

TWISTER LEISURE



DIMENSIONS	MEASUREMENT
LENGTH	81 in
WIDTH	81 in
HEIGHT	38 in
APROX. VOLUME	347 Gallons

Part No.	Description	Quantity
12-1015	KP-1000-LX SB-TSC	1
12-1004	Smart touch 1500 Pack	1
63-1018	EXEC 4HP 2SP PUMP	1
73-1015	2" Jet Assembly	15
73-1016	3" Jet Assembly	16
17-1040	SQR VGB Suction	2
63-1128	SGMS Air Control	2
28-1014	Squared EVA Pillow	2
17-1012	50 SQF Teleweir Filter	2
101-1001	PE Liner (PE)	1

AURORA LEISURE



DIMENSIONS	MEASUREMENT
LENGTH	81 in
WIDTH	81 in
HEIGHT	38 in
APROX. VOLUME	347 Gallons

Part No.	Description	Quantity
12-1015	KP-1000-LX SB-TSC	1
12-1004	Smart touch 1500 Pack	1
63-1018	EXEC 4HP 2SP PUMP	1
73-1015	2" Jet Assembly	4
73-1016	3" Jet Assembly	26
17-1040	SQR VGB Suction	2
63-1128	SGMS Air Control	3
28-1014	Squared EVA Pillow	3
17-1012	50 SQF Teleweir Filter	2
101-1001	PE Liner (PE)	1

TYPHOON LEISURE



DIMENSIONS	MEASUREMENT
LENGTH	91 in
WIDTH	91 in
HEIGHT	39 in
APROX. VOLUME	449 Gallons

Part No.	Description	Quantity
12-1015	KP-1000-LX SB-TSC	1
12-1004	Smart touch 1500 Pack	1
63-1018	EXEC 4HP 2SP PUMP	1 or 2
73-1015	2" Jet Assembly	16
73-1016	3" Jet Assembly	23
17-1040	SQR VGB Suction	2 or 4
63-1128	SGMS Air Control	2
28-1014	Squared EVA Pillow	2
17-1012	50 SQF Teleweir Filter	1
101-1001	PE Liner (PE)	1

MONSOON LEISURE



DIMENSIONS	MEASUREMENT
LENGTH	91 in
WIDTH	91 in
HEIGHT	39 in
APROX. VOLUME	449 Gallons

Part No.	Description	Quantity
12-1015	KP-1000-LX SB-TSC	1
12-1004	Smart touch 1500 Pack	1
63-1018	EXEC 4HP 2SP PUMP	1 or 2
73-1015	2" Jet Assembly	16
73-1016	3" Jet Assembly	23
17-1040	SQR VGB Suction	2 or 4
63-1128	SGMS Air Control	2
28-1014	Squared EVA Pillow	2
17-1012	50 SQF Teleweir Filter	1
101-1001	PE Liner (PE)	1